



Digital Signal Controller for Motor Control Applications

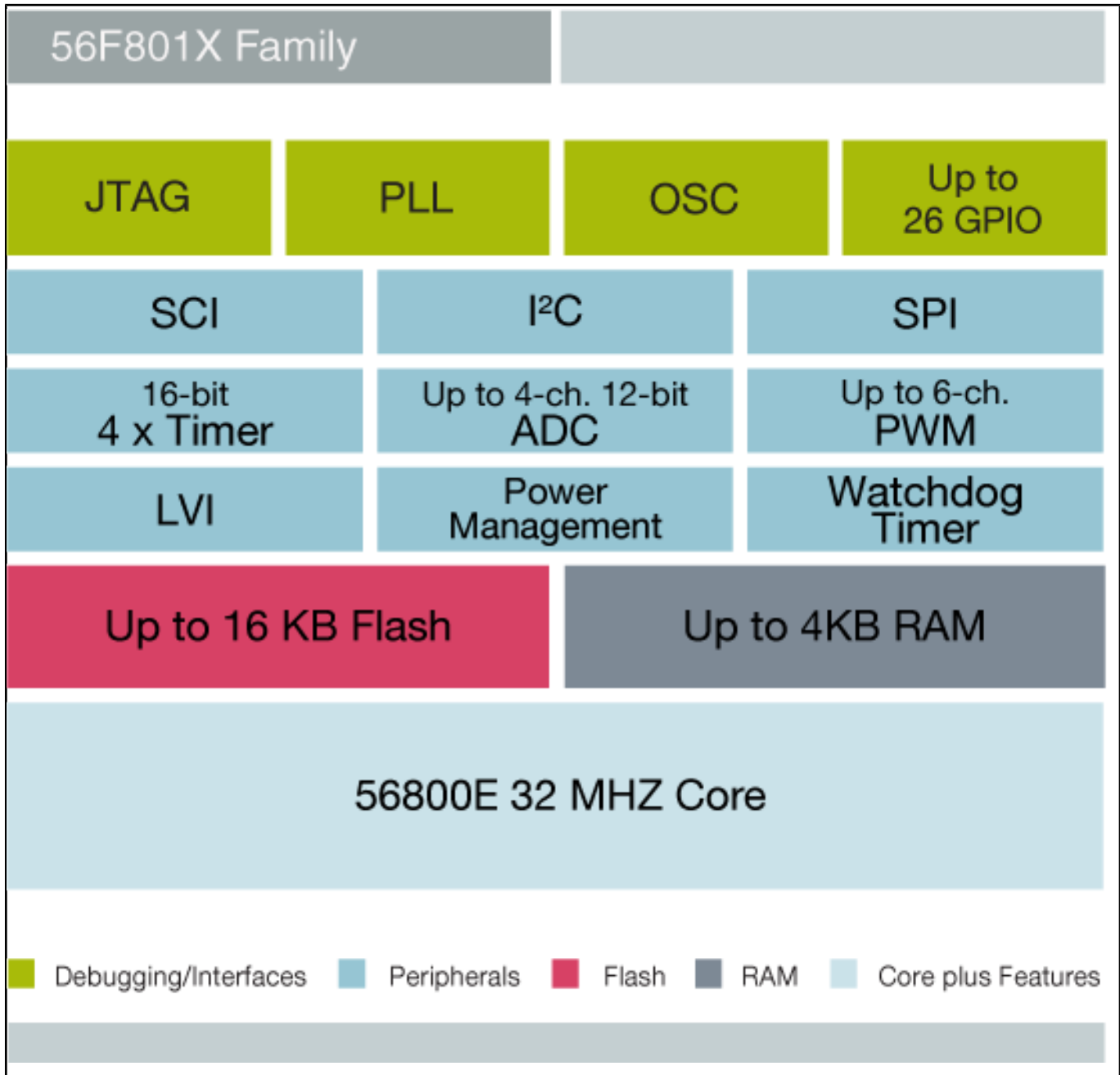
56F801X

Last Updated: Jul 31, 2023

The NXP® 56F801X DSC family combines the power of digital signal processing and the functionality of a microcontroller on a single chip, with a flexible set of peripherals.

- Provides high-performance 16-bit solutions for motor control applications that require a greater number of pulse width modulators (PWMs)
- Delivers more control functionality with a smaller memory footprint than competing architectures
- Includes flexible power saving modes
- On-chip integration and ease of implementation help to speed development, lower component count, and significantly reduce system cost
- Supported by robust development tools to simplify and accelerate time-to-market

56F801X Digital Signal Controller Block Diagram



View additional information for [Digital Signal Controller for Motor Control Applications](#).

Note: The information on this document is subject to change without notice.

www.nxp.com

NXP and the NXP logo are trademarks of NXP B.V. All other product or service names are the property of their respective owners. The related technology may be protected by any or all of patents, copyrights, designs and trade secrets. All rights reserved. © 2024 NXP B.V.