



ZigBee and IEEE802.15.4 Wireless Microcontroller with 512 kB Flash, 32 kB RAM

JN5179

Last Updated: Apr 5, 2024

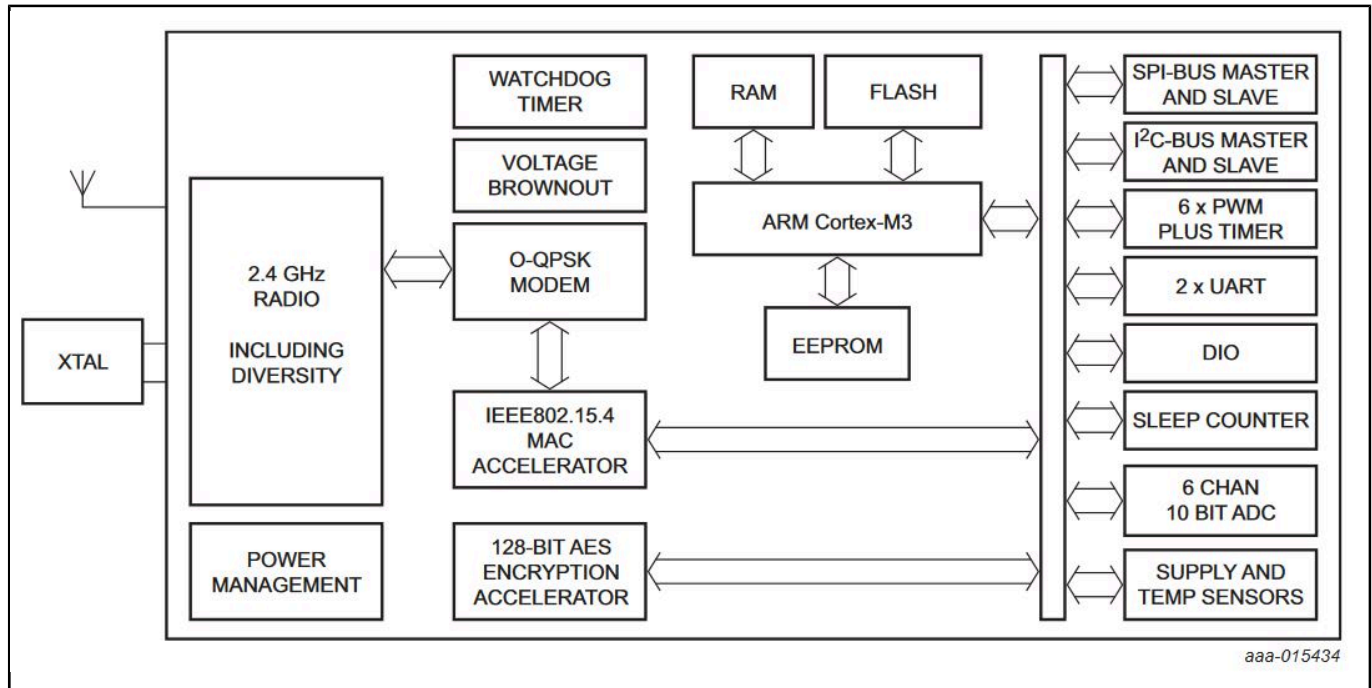
Note: [JN5189/88T](#) is preferred for any new new Zigbee®, Thread design. No new software releases planned

The JN5179 device is an ultra-low-power, high-performance wireless microcontroller, optimized as a platform for ZigBee 3.0 applications in Smart Home and Smart Lighting networks. It features an Arm® Cortex®-M3 processor with debug and programmable clock speeds. The JN5179 device has 512 kB of embedded Flash memory as well as 32 kB of RAM and 4 kB of EEPROM. The embedded Flash can support "Over-The-Air" firmware updates. The device also includes a 2.4 GHz "IEEE802.15.4 compliant" transceiver and a comprehensive mix of on-chip analog and digital peripherals.

The radio transmit power is configurable up to +10 dBm output. The very-low receive operating current (down to 12.7 mA in normal operation and 0.6 µA in sleep mode) results in long battery life, allowing operation directly from a coin cell. Through its power-saving modes, the device is therefore ideal for battery-powered nodes. The on-chip peripherals include a fail-safe I2C-bus, SPI-bus ports (both leader and follower) and a 6-channel analog-to-digital converter, directly supporting a wide range of applications without the need for extra hardware.

For support documentation, please click [here](#).

JN517x Block Diagram Block Diagram



View additional information for [ZigBee and IEEE802.15.4 Wireless Microcontroller with 512 kB Flash, 32 kB RAM](#).

Note: The information on this document is subject to change without notice.

www.nxp.com

NXP and the NXP logo are trademarks of NXP B.V. All other product or service names are the property of their respective owners. The related technology may be protected by any or all of patents, copyrights, designs and trade secrets. All rights reserved. © 2024 NXP B.V.