



# Layerscape LS1043A Reference Design Board

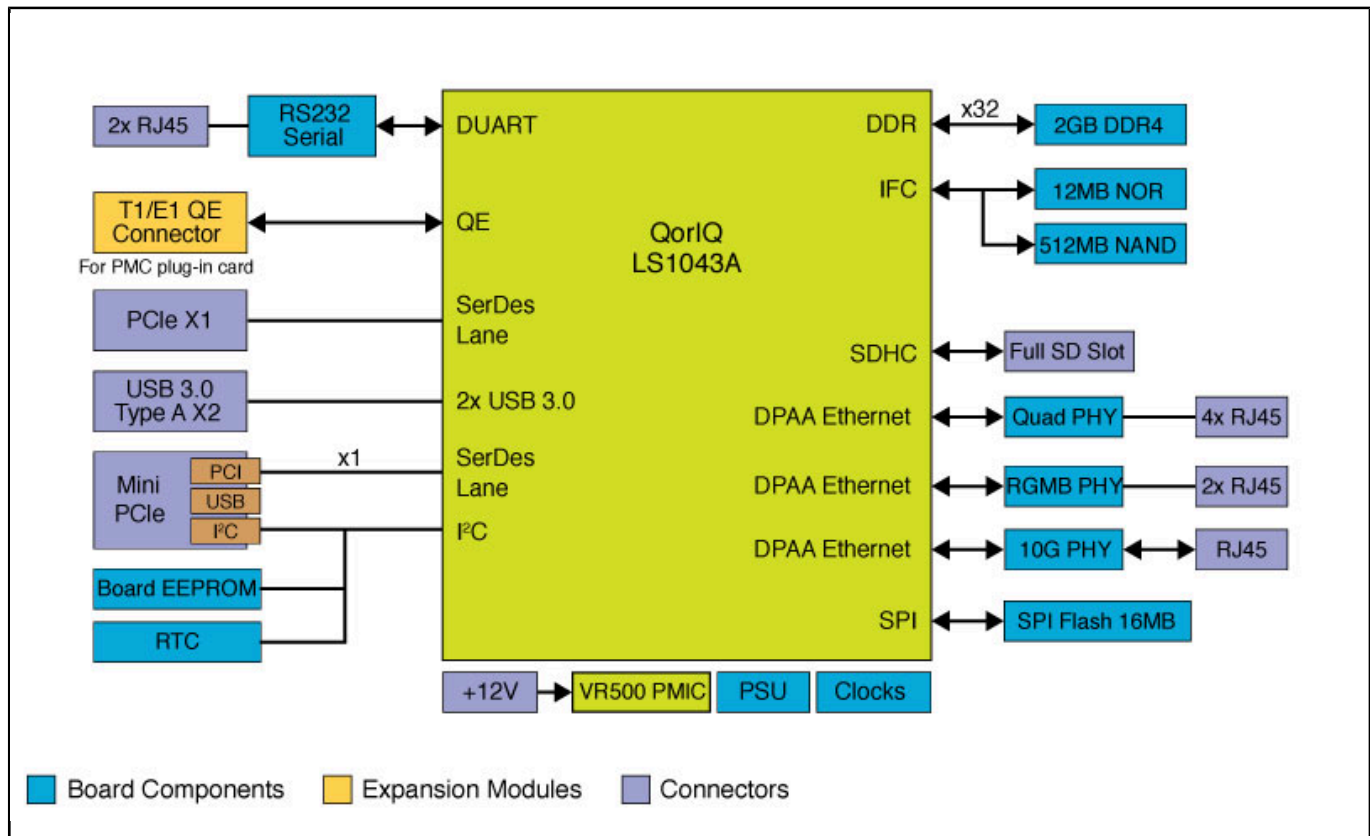
## LS1043A-RDB

Last Updated: Nov 22, 2023

The LS1043A reference design board (RDB) is a computing, evaluation, and development platform that supports the Layerscape LS1043A architecture processor. The LS1043A-RDB can help shorten your time to market by providing:

- A reference for customers own hardware development
- A debug tool to check behaviors on the board compared to behaviors seen on customer boards
- A preloaded Embedded Linux® Software Development Kit (SDK) for Layerscape processors v1.8

# Layerscape LS1043A Block Diagram



View additional information for [Layerscape LS1043A Reference Design Board](#).

Note: The information on this document is subject to change without notice.

**www.nxp.com**

NXP and the NXP logo are trademarks of NXP B.V. All other product or service names are the property of their respective owners. The related technology may be protected by any or all of patents, copyrights, designs and trade secrets. All rights reserved. © 2024 NXP B.V.