



# Power Management IC (PMIC) for i.MX35/51

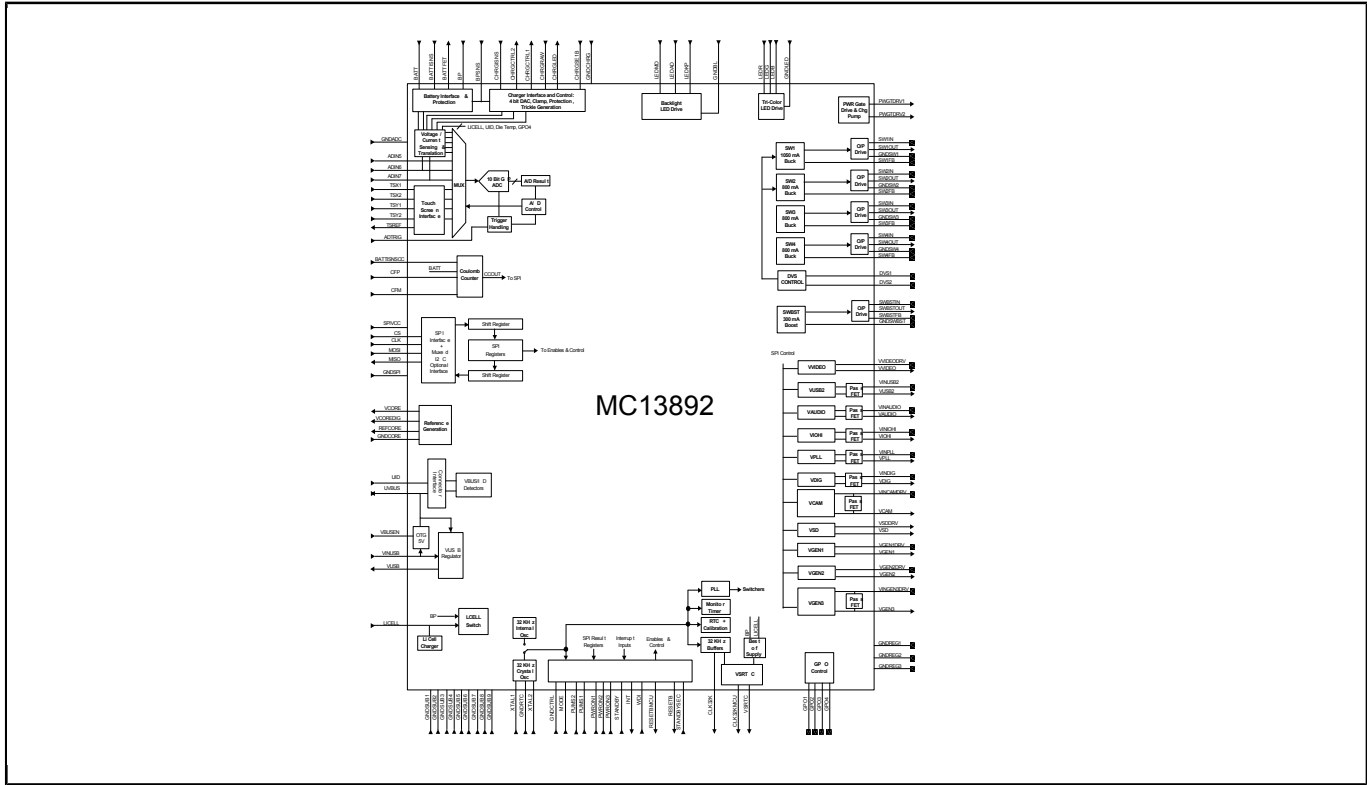
## MC13892

Last Updated: May 25, 2023

The MC13892 is a PMIC for the i.MX51, i.MX37, i.MX3 and i.MX27 application processors, ideal for personal media players and navigation devices.

- Integrates many discrete functions into one IC
- Incorporates a battery charging system, including USB charging and wall charging
- Power control logic with processor interfacing and event detection, real-time clock and critical oscillator circuitry with coin cell backup and support for external secure RTC on a companion processor IC device
- Interfaces with i.MX processors or any other device requiring a highly integrated, bi-directional power management, I/O and communications device

# Freescale MC13892 PMIC Block Diagram



View additional information for [Power Management IC \(PMIC\) for i.MX35/51](#).

**Note:** The information on this document is subject to change without notice.

**www.nxp.com**

NXP and the NXP logo are trademarks of NXP B.V. All other product or service names are the property of their respective owners. The related technology may be protected by any or all of patents, copyrights, designs and trade secrets. All rights reserved. © 2024 NXP B.V.