



Industrial Multipurpose 32 V SPI- Controlled Smart Switch

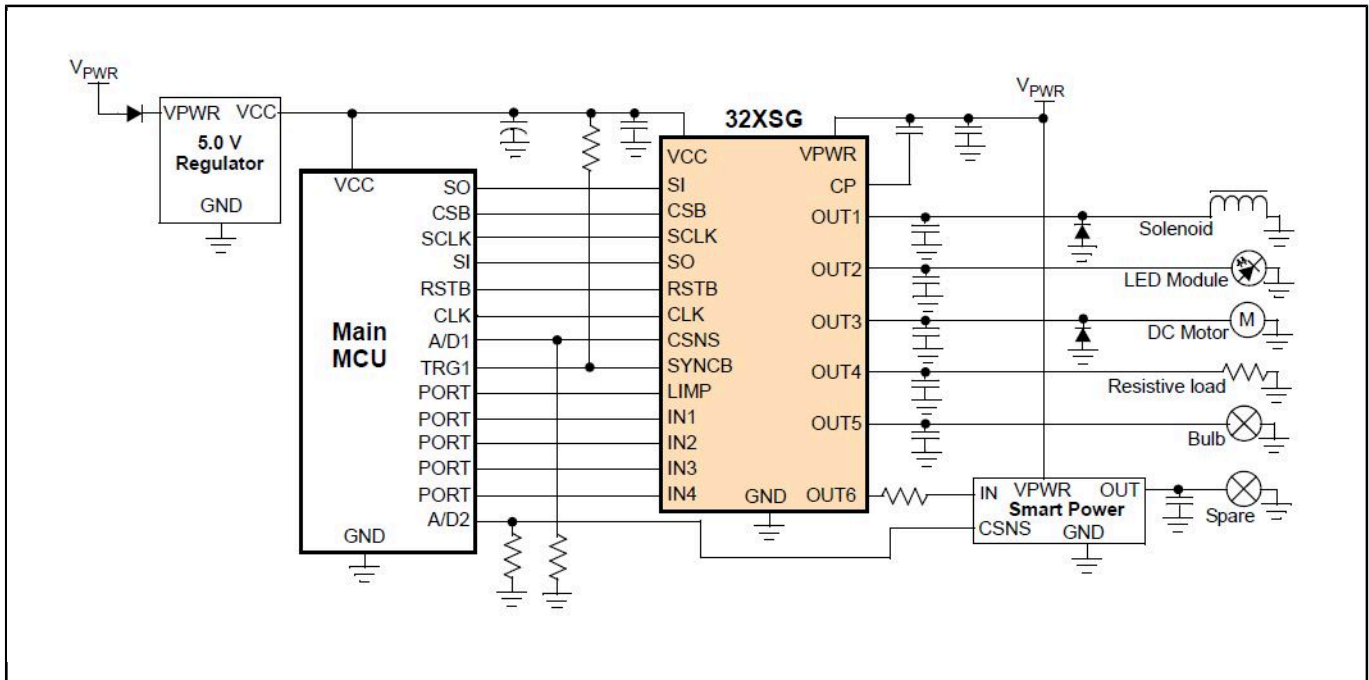
MC32XSG

Last Updated: Jul 20, 2023

The NXP 32XSG family is an extended version of the [12XSF](#) covering higher voltage range up to 32 V. These eXtreme switches are designed to control and diagnose various type of loads such as lights, DC motors, PLC, etc.

- It combines flexibility through daisy chainable SPI at 5.0 MHz, extended digital and analog feedbacks, safety and robustness.
- Low RDS(ON) and high integration allow power and space saving at the module level.
- These 2 penta-output devices are hardware and SPI compatible.

32XSG : 32V Smart High Side Power Switches Block Diagram



View additional information for [Industrial Multipurpose 32 V SPI-Controlled Smart Switch](#).

Note: The information on this document is subject to change without notice.

www.nxp.com

NXP and the NXP logo are trademarks of NXP B.V. All other product or service names are the property of their respective owners. The related technology may be protected by any or all of patents, copyrights, designs and trade secrets. All rights reserved. © 2024 NXP B.V.