



# LIN SBC with 2 x 60 mA High Side Drivers

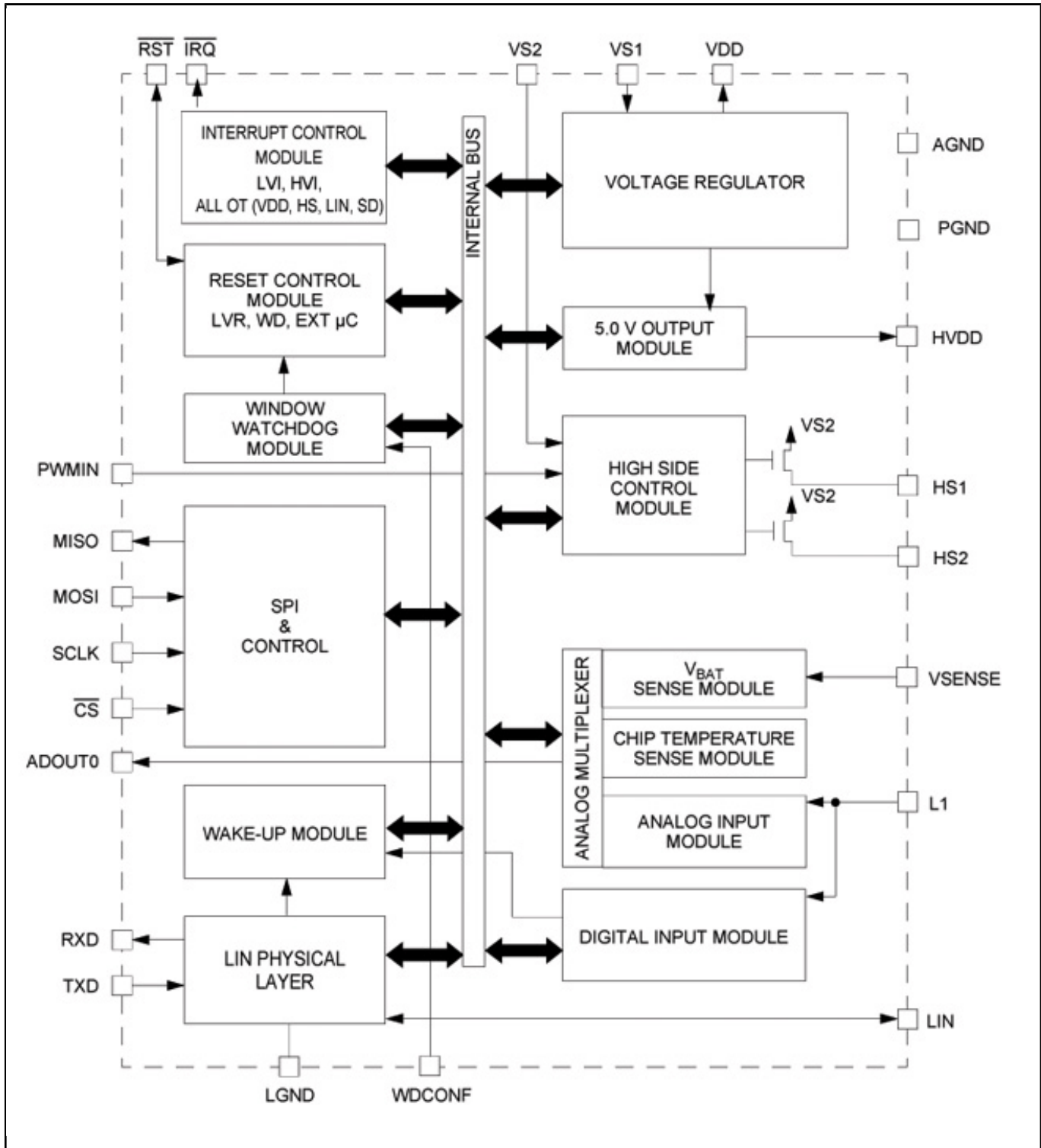
## MC33910

Last Updated: Mar 18, 2024

The NXP® MC33910 is a SPI-controlled System Basis Chip (SBC) that combines many frequently used functions in an MCU-based system, plus a LIN transceiver.

- 5.0 V, 50 mA low dropout regulator with full protection and reporting features
- Full SPI-readable diagnostic and a selectable timing watchdog for detecting errant operation
- The LIN Protocol Specification, version 2.0 and 2.1 (G5AC) compliant LIN transceiver has waveshaping circuitry that can be disabled for higher data rates
- Two 60 mA high side switches with optional pulse-width modulation (PWM) are implemented to drive small loads

# MC33910 Network Transceivers Block Diagram Block Diagram



View additional information for [LIN SBC with 2 x 60 mA High Side Drivers](#).

Note: The information on this document is subject to change without notice.

**[www.nxp.com](http://www.nxp.com)**

NXP and the NXP logo are trademarks of NXP B.V. All other product or service names are the property of their respective owners. The related technology may be protected by any or all of patents, copyrights, designs and trade secrets. All rights reserved. © 2024 NXP B.V.