



# Motor Control Application Tuning (MCAT) Tool

## MCATSW

Last Updated: Jan 26, 2024

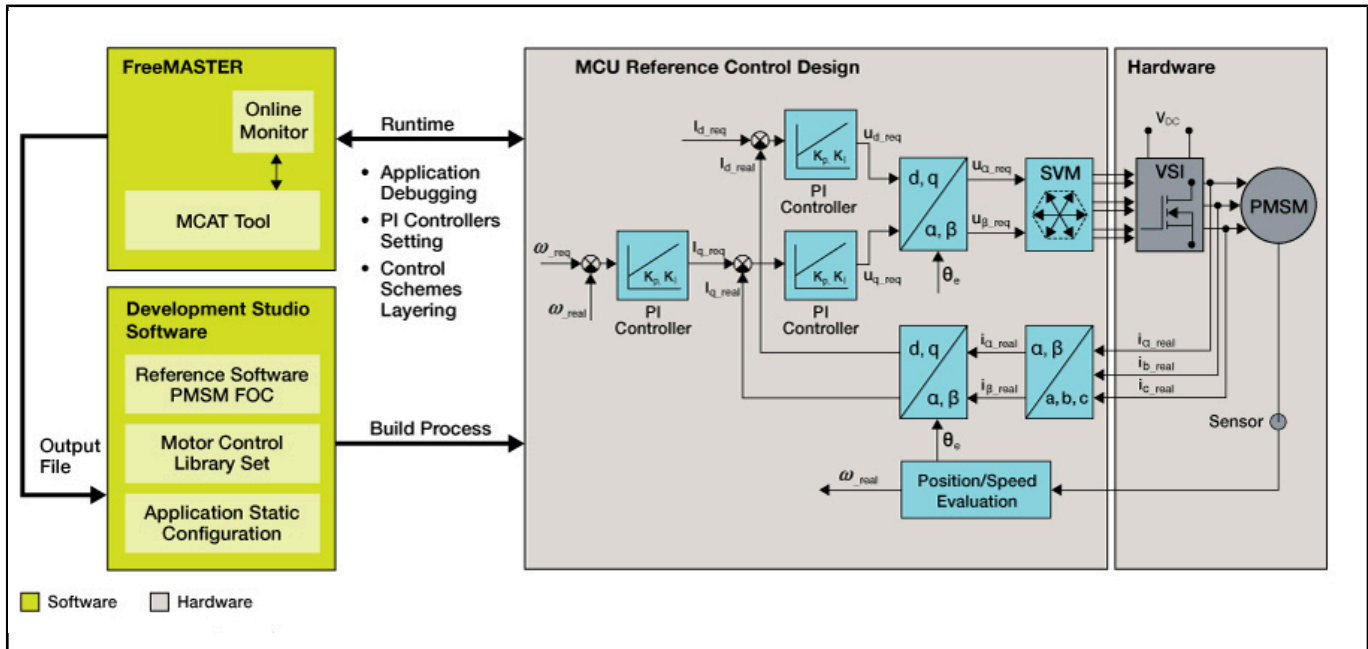
The Motor Control Application Tuning (MCAT) Tool is a HTML-based user-friendly graphical plug-in tool for Our FreeMASTER. This tool is intended for the development of PMSM (BLDC) FOC and ACIM control applications, real-time control structure parameter tuning, and will aid motor control users in adapting NXP® MC solutions to their motors without a detailed knowledge of PI controller constant calculations.

The MCAT Tool may support different features and have different look depending on domain (automotive, industry).

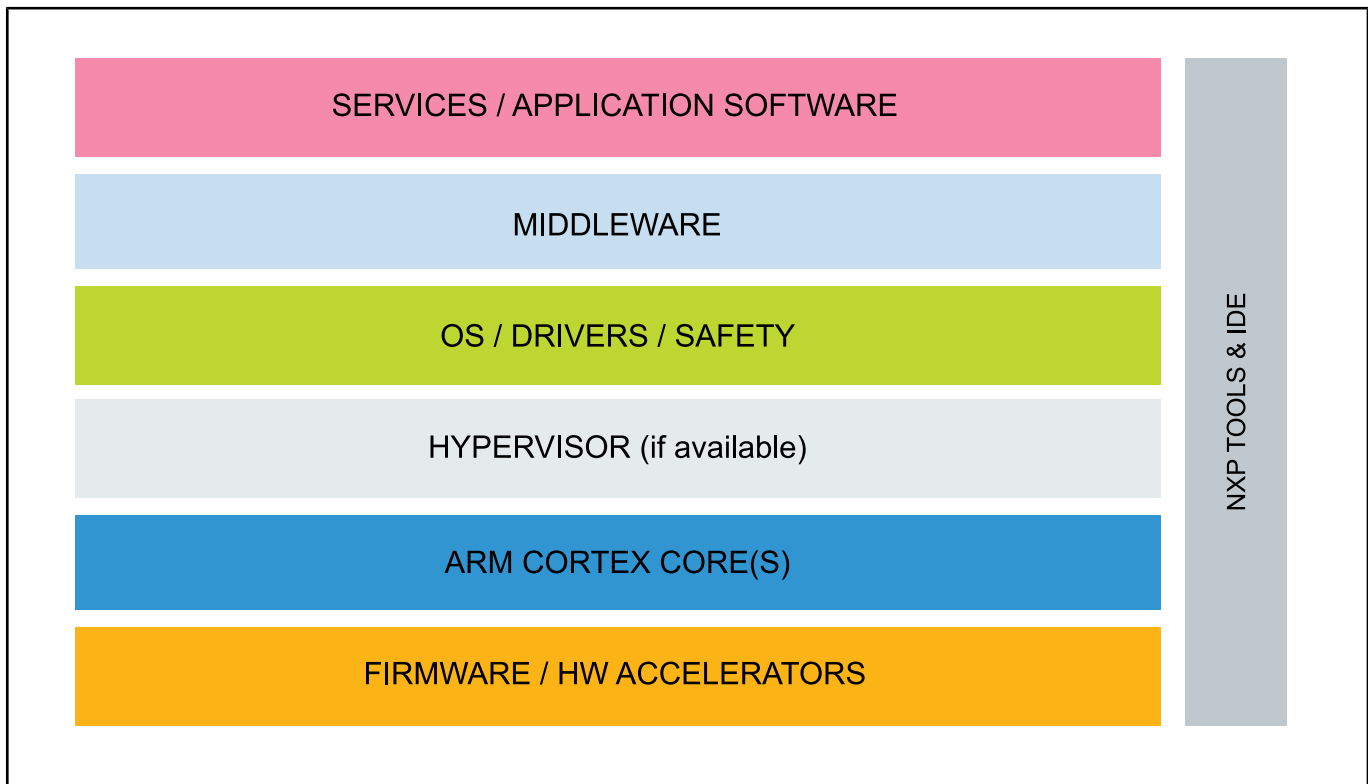
The industry domain examples are described on [MCUXpresso SDK Motor Control](#) page.

The tool is not provided as a standalone application, but it is a FreeMASTER plug-in component of featured reference designs and application codes.

## Motor Control Application Tuning Block Diagram



## Automotive General Block Diagram Block Diagram



View additional information for [Motor Control Application Tuning \(MCAT\) Tool](#).

**Note:** The information on this document is subject to change without notice.

---

**[www.nxp.com](http://www.nxp.com)**

NXP and the NXP logo are trademarks of NXP B.V. All other product or service names are the property of their respective owners. The related technology may be protected by any or all of patents, copyrights, designs and trade secrets. All rights reserved. © 2024 NXP B.V.