



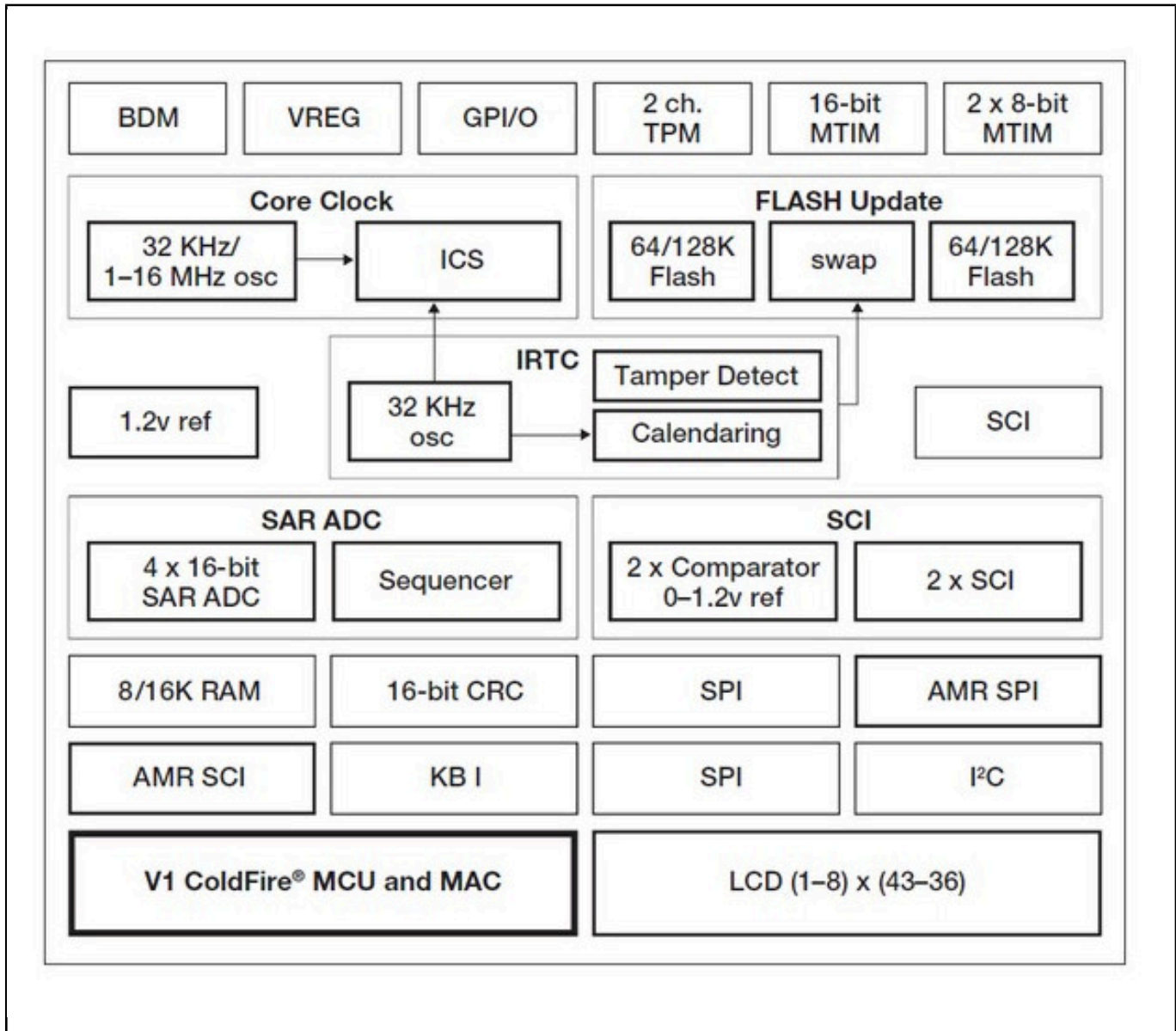
MCF51EM256 32-Bit MCU for Smart Meter Applications

MCF51EM

Last Updated: May 9, 2024

MCF51EM256 is NXP®'s smart-meter-on-a-chip 32-bit ColdFire® V1 core microcontroller (MCU) with embedded LCD controller, 16-bit analog-to-digital converter (ADC), and metrology-specific peripherals optimized for smart meter applications. MCF51EM256 comes with a full suite of hardware and software tools that make development quick and easy.

ColdFire MCF51EM Microcontroller Block Diagram Block Diagram



View additional information for [MCF51EM256 32-Bit MCU for Smart Meter Applications](#).

Note: The information on this document is subject to change without notice.

www.nxp.com

NXP and the NXP logo are trademarks of NXP B.V. All other product or service names are the property of their respective owners. The related technology may be protected by any or all of patents, copyrights, designs and trade secrets. All rights reserved. © 2024 NXP B.V.