



# 8-Bit MCU with Integrated Vreg, H-B, HSS, LIN Phy

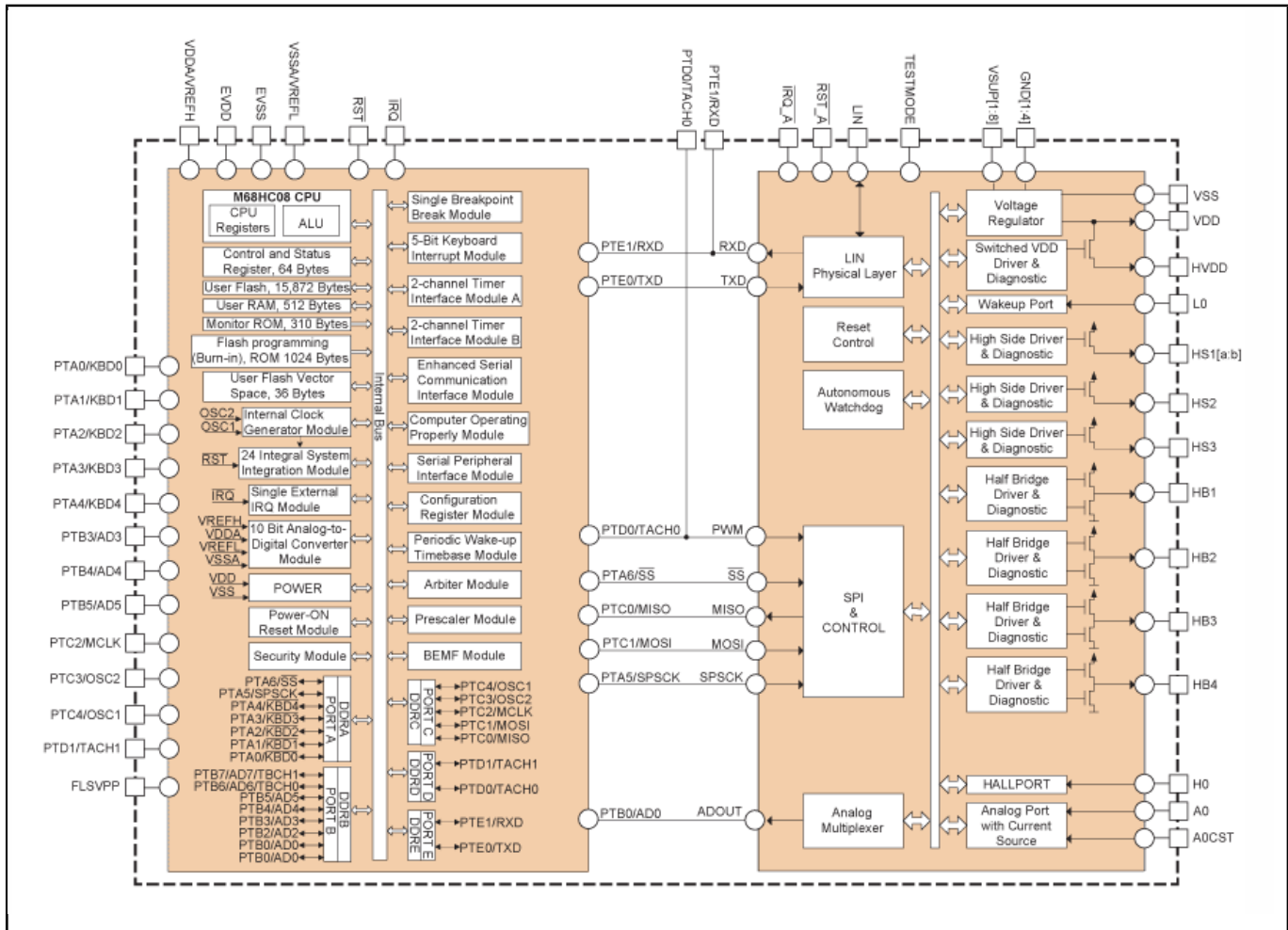
## MM908E621

Last Updated: Aug 3, 2023

The NXP® MM908E621 is an integrated single package solution that includes a high performance HC08 MCU with a SMARTMOS® analog control IC.

- The HC08 includes flash memory, a timer, enhanced serial communications interface, a 10 bit analog-to-digital converter, internal serial peripheral interface, and an internal clock generator module
- The single package solution, together with LIN, provides optimal application performance adjustments and space saving PCB design
- Well-suited for the control of automotive high end mirrors

# MM908E621 Block Diagram



View additional information for [8-Bit MCU with Integrated Vreg, H-B, HSS, LIN Phy.](#)

**Note:** The information on this document is subject to change without notice.

[www.nxp.com](http://www.nxp.com)

NXP and the NXP logo are trademarks of NXP B.V. All other product or service names are the property of their respective owners. The related technology may be protected by any or all of patents, copyrights, designs and trade secrets. All rights reserved. © 2024 NXP B.V.