



±8g, Low g, Digital NXP® Accelerometer

MMA8491Q

Not Recommended for New Designs

This page contains information on a product that is not recommended for new designs.

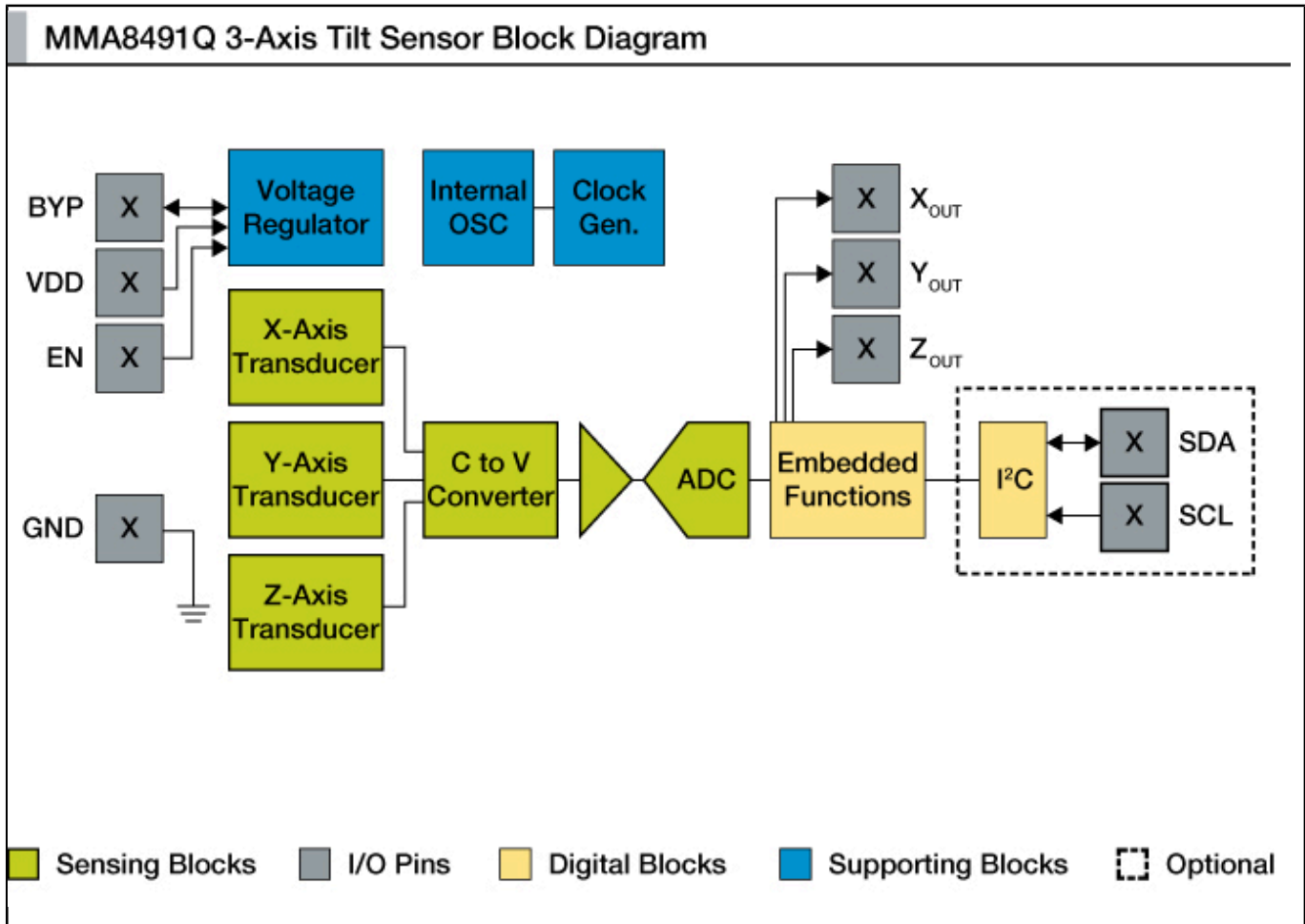
Last Updated: Feb 13, 2024

This product is in “End of Life” status, we recommend [FXLS8974CF](#) as a replacement.

The NXP® MMA8491Q 3-axis accelerometer is an ultra-low-power tilt sensor that is ideal for smart meters, home appliances, asset tracking applications, gaming and remote controls.

- Auto-on/auto-sleep energy-efficient operation housed in a specialized industrial package
- Simple, yet robust, with reduced system and implementation cost for reduced development time
- Unique single sample and hold measurement method allows for ease of use

MMA8491Q 3-Axis Accelerometer block diagram Block Diagram



View additional information for [±8g, Low g, Digital NXP® Accelerometer](#).

Note: The information on this document is subject to change without notice.

www.nxp.com

NXP and the NXP logo are trademarks of NXP B.V. All other product or service names are the property of their respective owners. The related technology may be protected by any or all of patents, copyrights, designs and trade secrets. All rights reserved. © 2024 NXP B.V.