



32-Bit Microprocessor

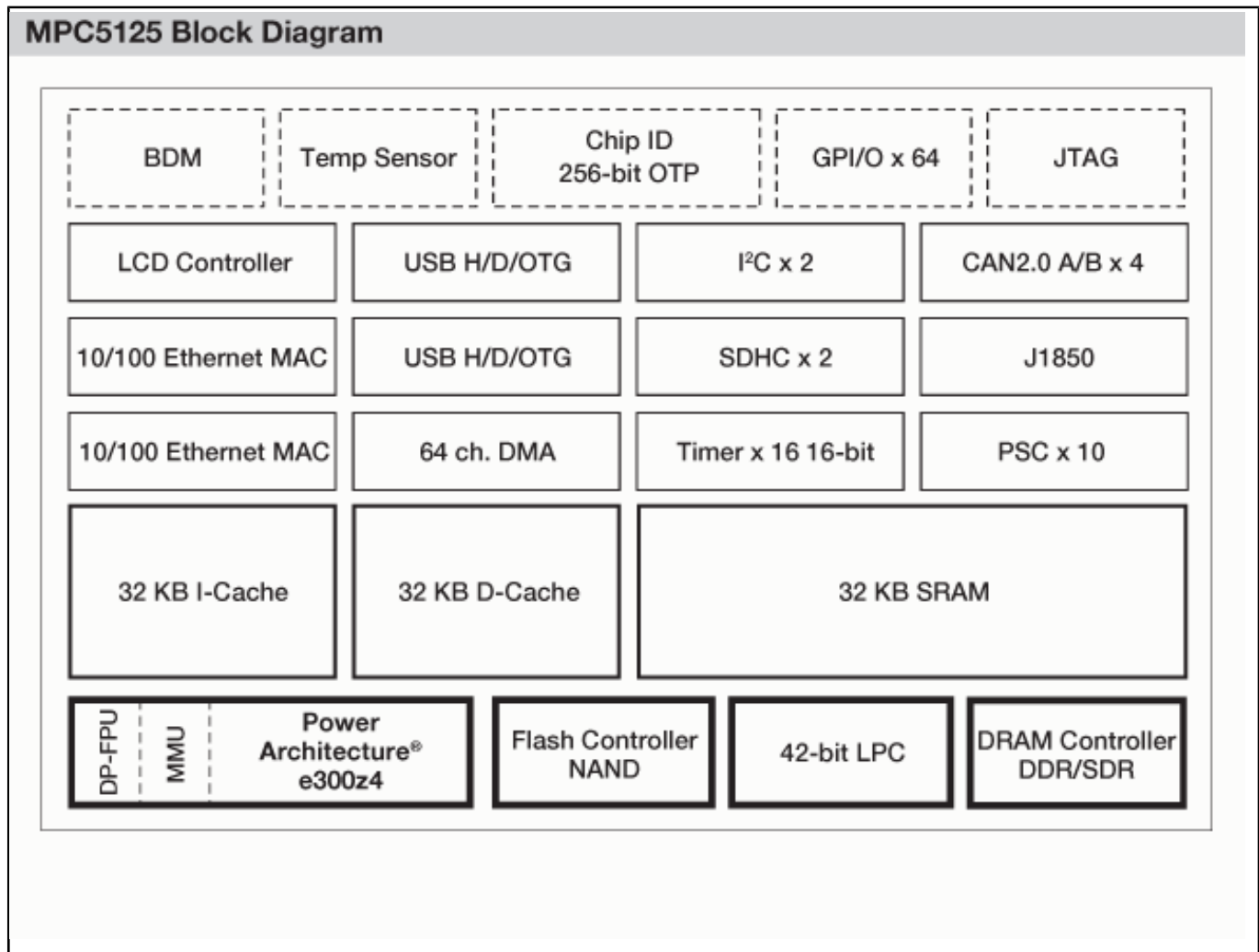
MPC5125

Last Updated: Jul 3, 2023

The MPC5125, a cost and power consumption optimized, automotive, industrial networking, and human-machine interface (HMI) solution. It helps reduce your development time, provides more communication peripherals at a competitive price and delivers ultra-low power without sacrificing performance.

The MPC5125 is a member of the mobileGT family of processors. NXP® is working closely with mobileGT alliance member companies to provide widespread firmware and software driver support. This includes support for popular real-time operating systems from Green Hills, QNX and Wind River, as well as open-source Linux® solutions.

mobileGT MPC5125 Microcontroller Block Diagram Block Diagram



View additional information for [32-Bit Microprocessor](#).

Note: The information on this document is subject to change without notice.

www.nxp.com

NXP and the NXP logo are trademarks of NXP B.V. All other product or service names are the property of their respective owners. The related technology may be protected by any or all of patents, copyrights, designs and trade secrets. All rights reserved. © 2024 NXP B.V.