



MPC5748G Secure Ethernet Gateway Reference Design

MPC5748G-GW-RDB

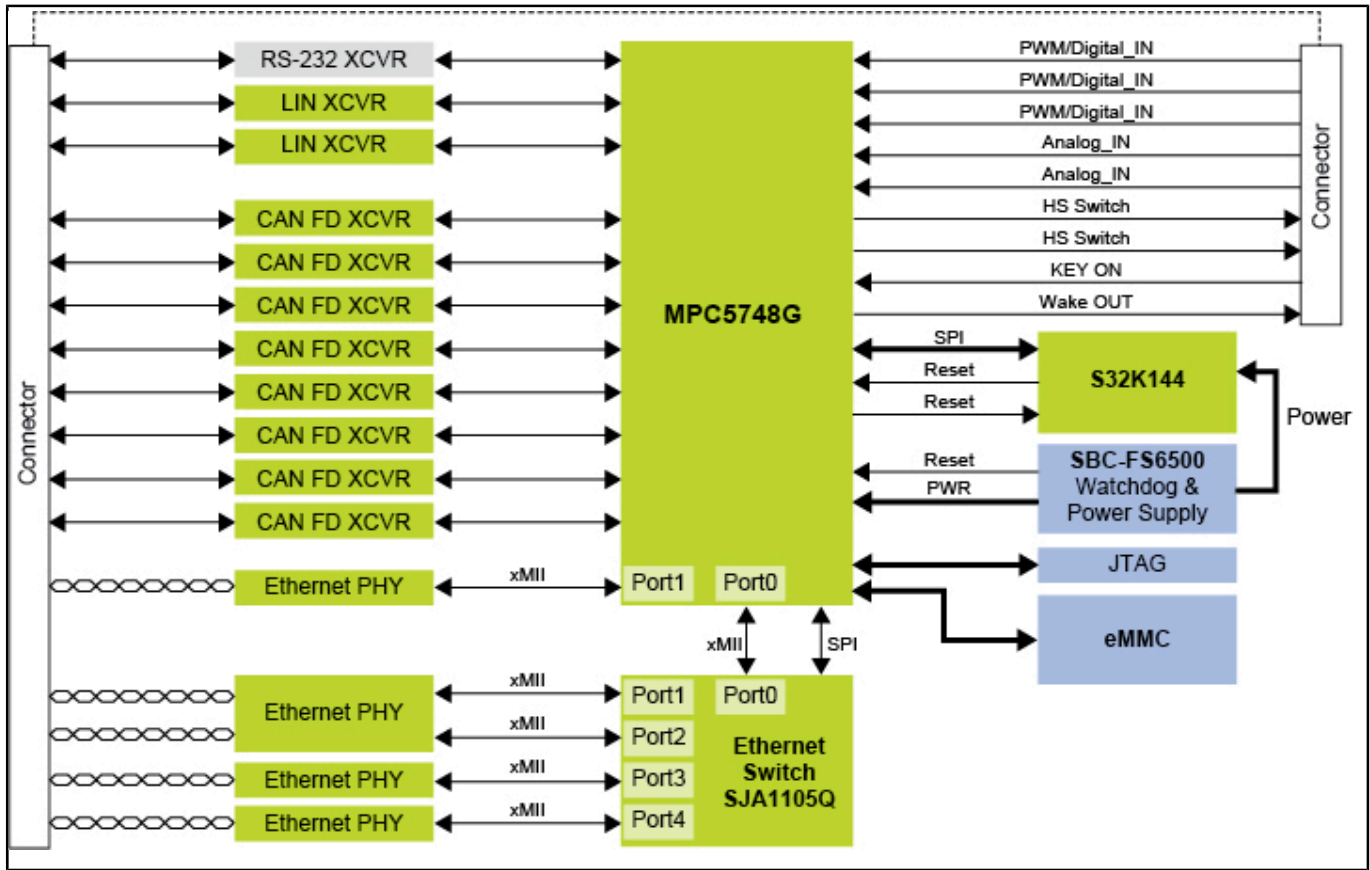
Last Updated: Jun 8, 2023

The MPC5748G-GW-RDB is a reference design board engineered for providing A-sample like Ethernet Gateway ECU, supporting secure over-the-air (OTA) management and functional safety to help accelerate gateway products development and production.

Based on the 32-bit Power Architecture® MPC5748G ultra-reliable microcontroller, the MPC5748G-GW-RDB offers up to three e200 cores, hardware security module (HSM), several communication interfaces, and flexible memory options.

[Secure Automotive Ethernet Gateway Reference Design - Fact Sheet](#)

Secure Ethernet Gateway 2 Block Diagram



View additional information for [MPC5748G Secure Ethernet Gateway Reference Design](#).

Note: The information on this document is subject to change without notice.

www.nxp.com

NXP and the NXP logo are trademarks of NXP B.V. All other product or service names are the property of their respective owners. The related technology may be protected by any or all of patents, copyrights, designs and trade secrets. All rights reserved. © 2024 NXP B.V.