



QorIQ® P1020 and P1011 Dual- and Single-Core Communications Processors

P1020

Not Recommended for New Designs

This page contains information on a product that is not recommended for new designs.

Last Updated: Oct 17, 2022

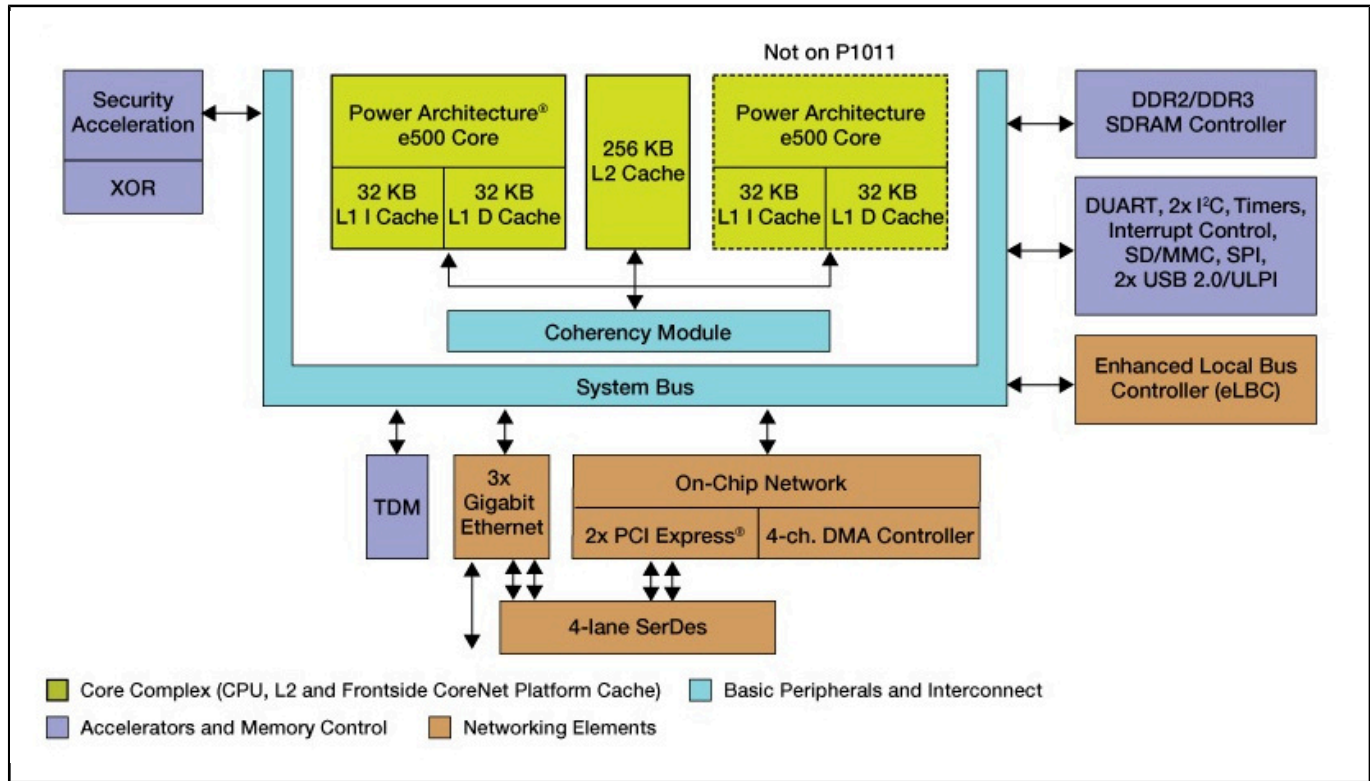
P1020 device is "Not recommended for new designs", please use the replacement families Power Architecture ([T1023](#)), Arm Architecture ([LS1023A](#)).

The QorIQ® P1 platform series, which includes the P1020 and P1011 communications processors, offers the value of extensive integration and high power for a wide variety of applications in the networking, telecom, aerospace, defense and industrial markets. The series provides dual-and single-core solutions for the 533 MHz to 800 MHz performance range, along with advanced security and a rich set of interfaces delivered on 45 nm technology for a low-power implementation.

The P1 platform series is perfectly suited for multiservice gateways, Ethernet switch controllers, wireless LAN access points and high-performance general-purpose control processor applications with tight thermal constraints.

The QorIQ P1 series consists of dual- and single-core products that are pin-compatible with QorIQ P2 platform products, offering a five-chip range of cost-effective solutions. Scaling from a single core at 533 MHz (P1011) to a dual core at 1.2 GHz per core (P2020), the two QorIQ platforms deliver an impressive 4.5X aggregate frequency range.

Freescale QorIQ P1020/11 Communication Processor Block Diagram Block Diagram



View additional information for [QorIQ® P1020 and P1011 Dual- and Single-Core Communications Processors](#).

Note: The information on this document is subject to change without notice.

www.nxp.com

NXP and the NXP logo are trademarks of NXP B.V. All other product or service names are the property of their respective owners. The related technology may be protected by any or all of patents, copyrights, designs and trade secrets. All rights reserved. © 2024 NXP B.V.