



QorIQ® P1021/12 Single- and Dual-Core Multi-Protocol Communications Processors

P1021

Not Recommended for New Designs

This page contains information on a product that is not recommended for new designs.

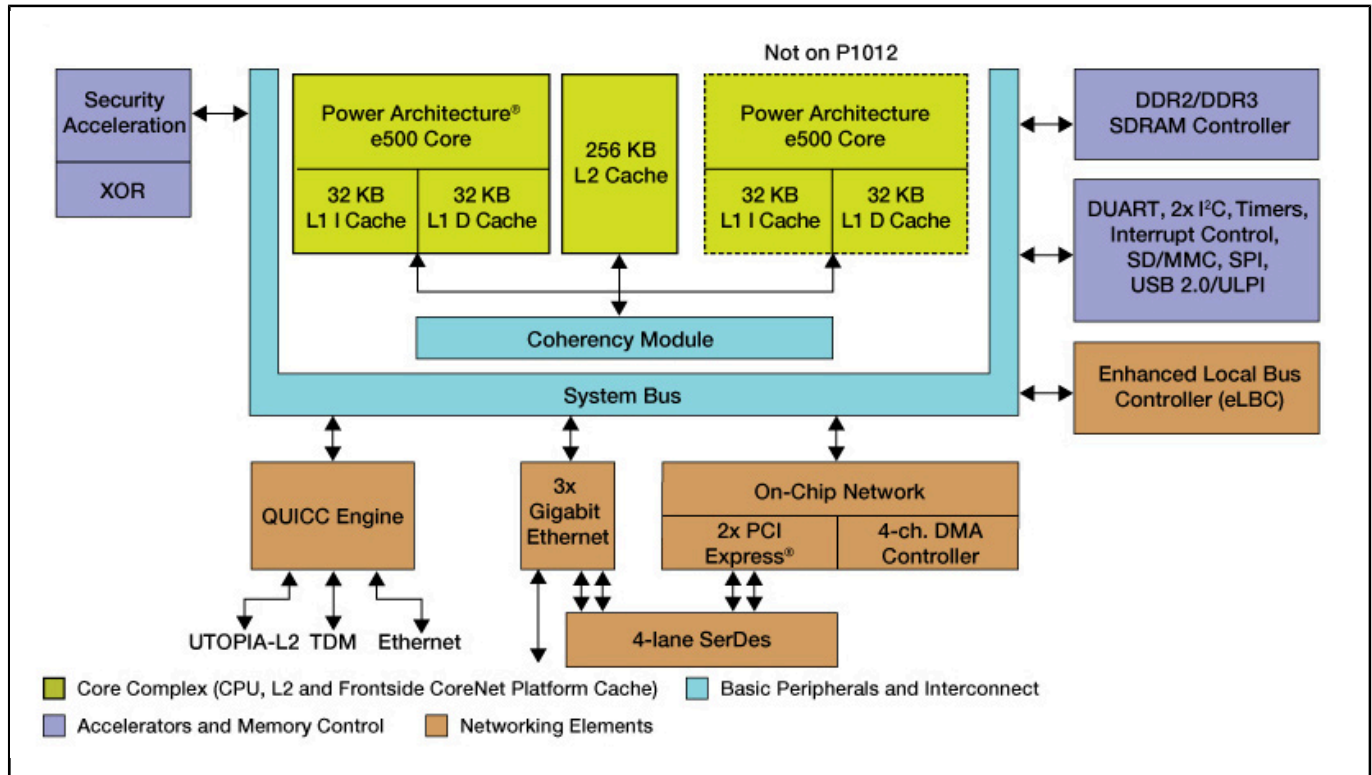
Last Updated: Oct 17, 2022

P1021 and P1012 devices are "Not recommended for new designs", please use the replacement families Power Architecture ([T1024](#), [T1014](#)), Arm Architecture ([LS1012](#), [LS1023](#)).

The QorIQ® P1 platform series, which includes the P1021 (dual-core) and P1012 (single-core) communications processors, offers the value of extensive integration and extreme power for a wide variety of applications in the networking, telecom, defense and industrial markets. Based on 45 nm technology for low-power implementation, the P1012 and P1021 processors provide single- and dual-core solutions for the 533 MHz to 800 MHz performance range, along with advanced security and a rich set of interfaces.

The P1012 and P1021 processors incorporate QUICC Engine® technology and are perfectly suited for multi-service gateways, Ethernet switch controllers, wireless LAN access points and high-performance general purpose control processor applications with tight thermal constraints. The QorIQ P1012 and P1021 processors are pin-compatible with the P1011, P1020 and P2 platform products, offering a six-chip range of cost-effective solutions. Scaling from a single core at 533 MHz (P1012) to a dual core at 1.2 GHz per core (P2020), the two QorIQ platforms deliver an impressive 4.5x aggregate frequency range.

Freescale QorIQ P1021/12 Communication Processor Block Diagram Block Diagram



View additional information for [QorIQ® P1021/12 Single- and Dual-Core Multi-Protocol Communications Processors](#).

Note: The information on this document is subject to change without notice.

www.nxp.com

NXP and the NXP logo are trademarks of NXP B.V. All other product or service names are the property of their respective owners. The related technology may be protected by any or all of patents, copyrights, designs and trade secrets. All rights reserved. © 2024 NXP B.V.