



QorIQ® P2020 and P2010 Dual- and Single-Core Communications Processors

P2020

Not Recommended for New Designs

This page contains information on a product that is not recommended for new designs.

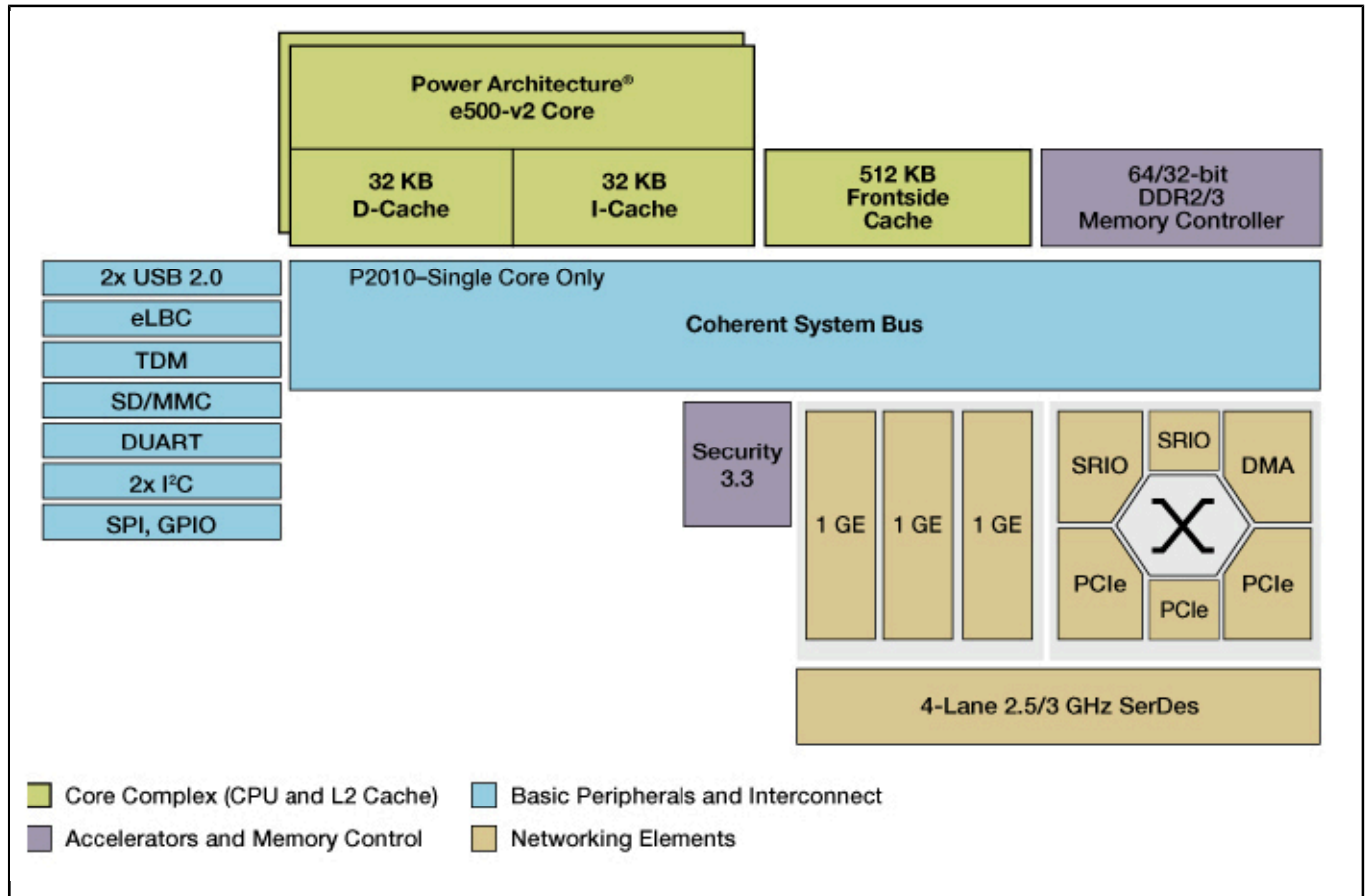
Last Updated: Oct 17, 2022

P2010 and P2020 devices are "Not recommended for new designs", please use the replacement families Power Architecture ([T1013](#), [T1023](#)), Arm Architecture ([LS1012A](#), [LS1023A](#)).

The QorIQ® P2020 and P2010 communications processors deliver high performance per watt for dual- and single-core applications. Using advanced 45nm process technology these CPUs reach frequencies up to 1.33GHz.

Pin-compatible with the QorIQ P1 family devices, the P2020 and P2010 devices offer four interchangeable cost-effective solutions, scaling from a single core at 533 MHz (P1011) to a dual core at 1.33 GHz (P2020) and delivering an impressive 4.5x aggregate frequency range within the same pinout.

Freescale QorIQ P2020/10 Communication Processor Block Diagram Block Diagram



View additional information for [QorIQ® P2020 and P2010 Dual- and Single-Core Communications Processors](#).

Note: The information on this document is subject to change without notice.

www.nxp.com

NXP and the NXP logo are trademarks of NXP B.V. All other product or service names are the property of their respective owners. The related technology may be protected by any or all of patents, copyrights, designs and trade secrets. All rights reserved. © 2024 NXP B.V.