



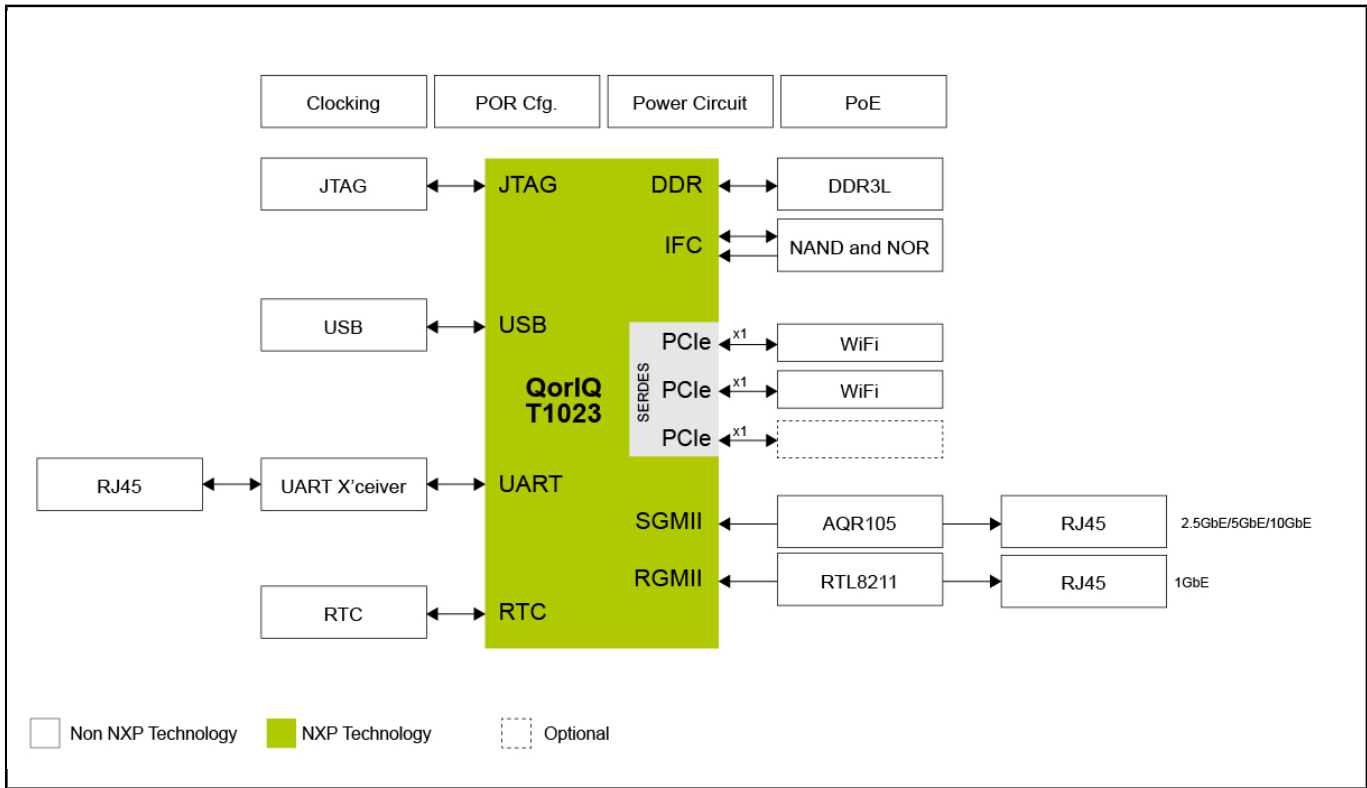
# T1023 WLAN Access Point System

## RDT1023WLAN

Last Updated: May 1, 2023

The T1023 WLAN Access Point system is based on the QorIQ® T1023 and is a semi-turnkey platform, primed for the rapid shipment to 802.11ac customers. This WLAN reference design board was co-developed with Alpha Networks and can be quickly productized to accelerate time to market with the latest 802.11ac features. The board comes with not only the 2.4 GHz and 5 GHz radio, but with an additional PCIe slot for a potential 60 GHz radio.

# WLAN Access Point Block Diagram



View additional information for [T1023 WLAN Access Point System](#).

**Note:** The information on this document is subject to change without notice.

**www.nxp.com**

NXP and the NXP logo are trademarks of NXP B.V. All other product or service names are the property of their respective owners. The related technology may be protected by any or all of patents, copyrights, designs and trade secrets. All rights reserved. © 2024 NXP B.V.