



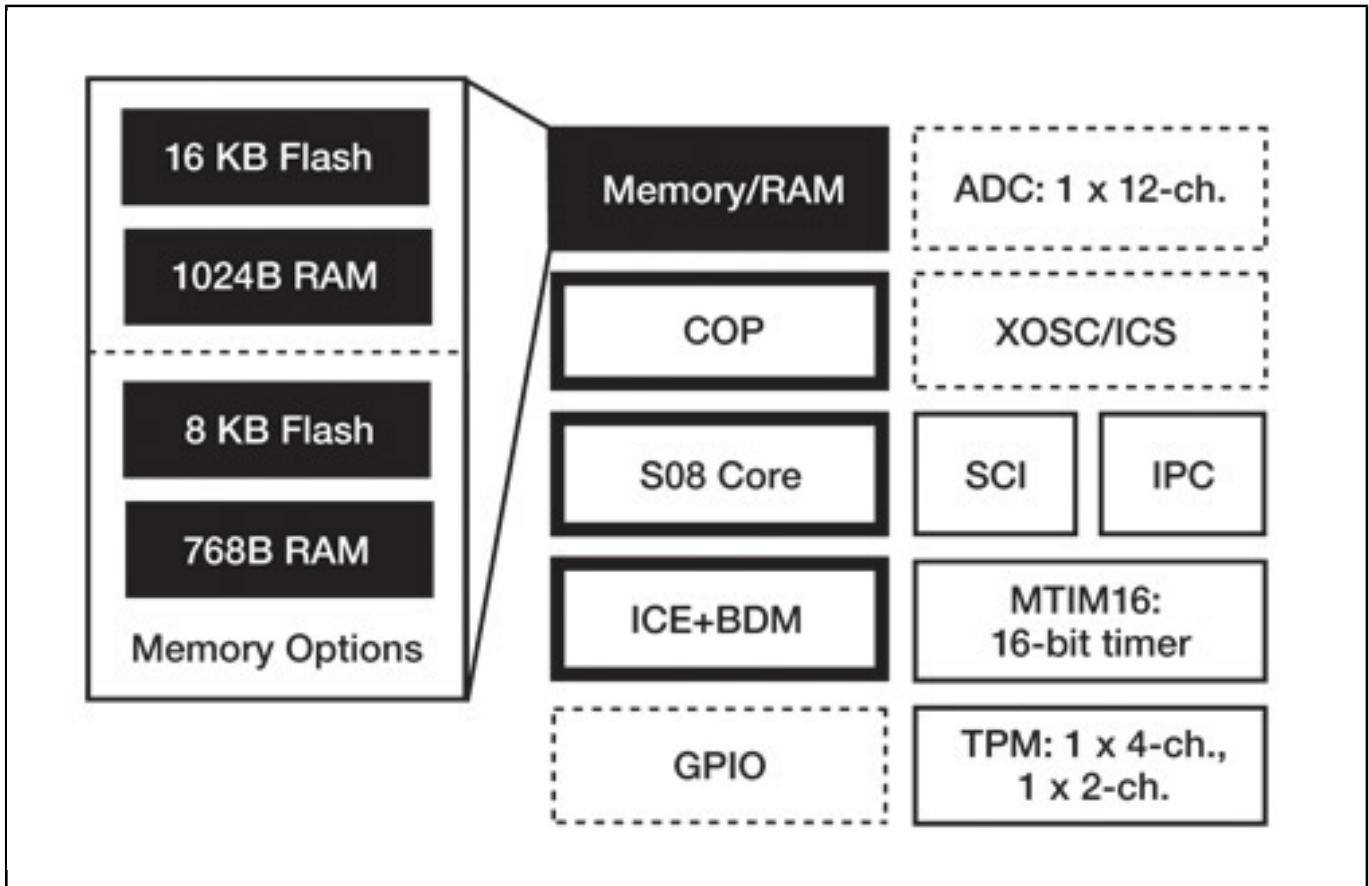
8-bit Cost-Effective FL16/8 MCUs

S08FL

Last Updated: Aug 1, 2023

The 8-bit MC9S08FL16/8 (FL16/8) MCU family is a cost-effective solution ideal for cost-sensitive home appliance applications that require input/output (I/O) flexibility. It features up to 16 KB flash read/program/erase over full operating voltage and temperature, two low-power stop modes and reduced power wait mode and security circuitry to prevent unauthorized access to RAM and flash contents.

Freescale S08FL Microcontroller Block Diagram Block Diagram



View additional information for [8-bit Cost-Effective FL16/8 MCUs](#).

Note: The information on this document is subject to change without notice.

www.nxp.com

NXP and the NXP logo are trademarks of NXP B.V. All other product or service names are the property of their respective owners. The related technology may be protected by any or all of patents, copyrights, designs and trade secrets. All rights reserved. © 2024 NXP B.V.