



QorIQ® T4240/T4160/T4080 Multicore Communications Processors

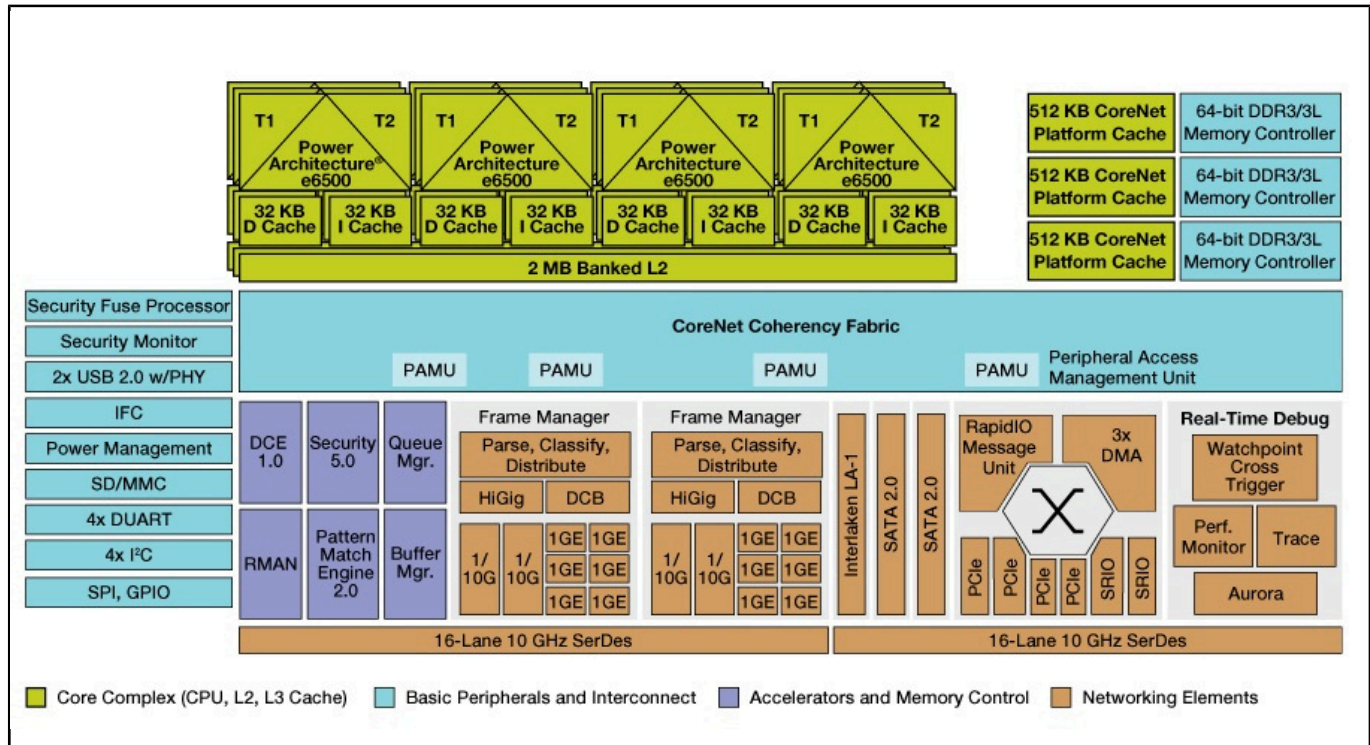
T4240

Last Updated: Apr 11, 2024

The T4240, with 24 virtual cores, is the flagship of the QorIQ® T series. With the T4160 (16 virtual cores) and T4080 (8 virtual cores), the T4 family has a 3x performance scaling factor within a pin-compatible package. Low-power variants are also available: T4241 (24 threads), T4161 (16 threads), and T4081 (8 threads).

With frequencies scaling to 1.8 GHz, integrated 1Gbps and 10Gbps Ethernet, hardware acceleration and advanced system peripherals, these products target applications that benefit from consolidation of control and data plane processing in a single SoC, such as services cards, microservers, ADCs, WOCs, intelligent NICS, RNCs.

T4240 BD IMG Block Diagram



View additional information for [QorIQ® T4240/T4160/T4080 Multicore Communications Processors](#).

Note: The information on this document is subject to change without notice.

www.nxp.com

NXP and the NXP logo are trademarks of NXP B.V. All other product or service names are the property of their respective owners. The related technology may be protected by any or all of patents, copyrights, designs and trade secrets. All rights reserved. © 2024 NXP B.V.