



Voice Intelligent Technology Wake Word and Voice Command Engines

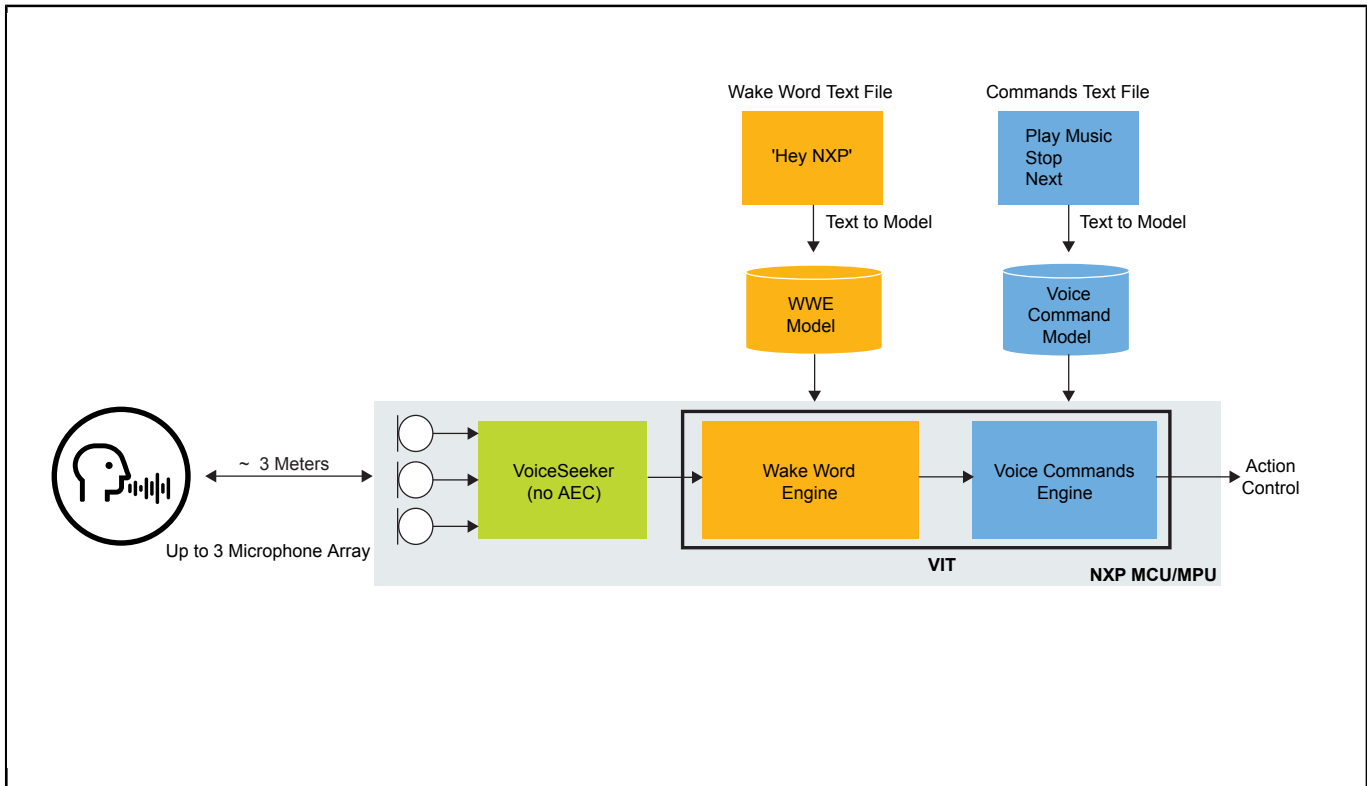
VOICE-INTELLIGENT-TECHNOLOGY

Last Updated: Feb 21, 2024

Voice Intelligent Technology (VIT) Wake Word and Voice Command Engines provide free, ready to use voice UI enablement for developers. It enables customer-defined wake words and commands using free online tools. The library and voice control software package is delivered via the [MCUXpresso SDK](#) or [Linux BSP](#).

Based on deep learning speech recognition technologies, this software package provides a complete wake word and voice command solution. VIT can be easily configured with [VoiceSeeker](#), a multi-mic audio front end supporting far-field operation. The VIT Wake Word and Voice Command Engines are available royalty-free on several platforms including Arm® Cortex®-M7, M33, A-53 or Cadence Xtensa® HiFi 4 and Fusion F1 cores.

Voice Intelligent Technology Overview Block Diagram



View additional information for [Voice Intelligent Technology Wake Word and Voice Command Engines](#).

Note: The information on this document is subject to change without notice.

www.nxp.com

NXP and the NXP logo are trademarks of NXP B.V. All other product or service names are the property of their respective owners. The related technology may be protected by any or all of patents, copyrights, designs and trade secrets. All rights reserved. © 2024 NXP B.V.