



# Automotive 15W Wireless Charging Transmitter

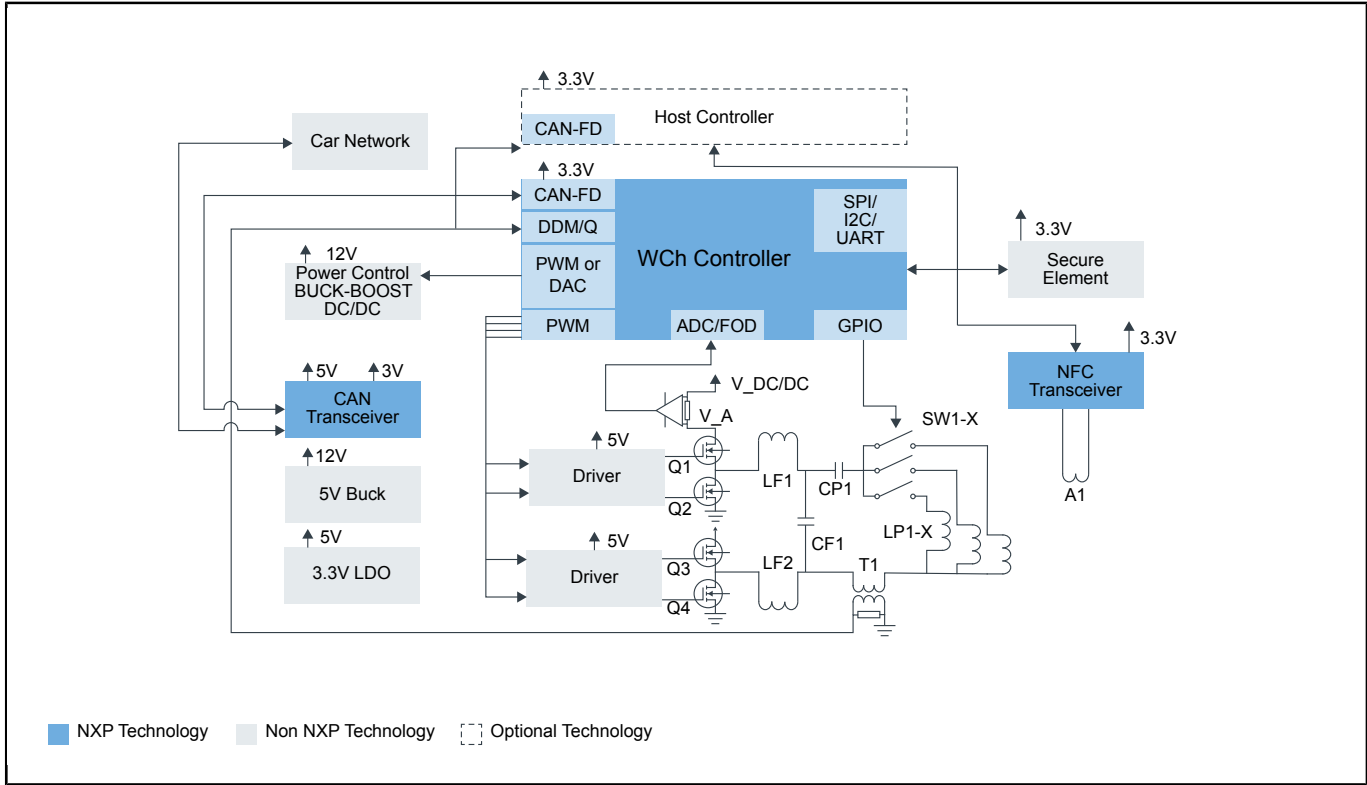
## WCT-15WAUTO13

Last Updated: Nov 28, 2023

The NXP WCT-15WAUTO13 multi-coil transmitter reference platform is first Qi® 1.3 certified 15W reference design for in-vehicle wireless charging applications based on the NXP MWCT2xx3A controller IC family. System supports 40W power delivery to meet all customized fast charging requirements.

The platform uses auto grade components and other vital automotive functions including EMC optimization, safety features and MISRA C compliance software with flexible application to ensure that the system can be seamlessly integrated. Complies with the Wireless Power Consortium's latest Qi v1.3 specification including authentication and is certified as an MP-A13 transmitter type.

# WCT-15WAUTO13 Block Diagram Block Diagram



View additional information for [Automotive 15W Wireless Charging Transmitter](#).

**Note:** The information on this document is subject to change without notice.

[www.nxp.com](http://www.nxp.com)

NXP and the NXP logo are trademarks of NXP B.V. All other product or service names are the property of their respective owners. The related technology may be protected by any or all of patents, copyrights, designs and trade secrets. All rights reserved. © 2024 NXP B.V.