



# Quad 100 m# / Dual 50 m#, 3.0 V to 60 V High-Side Switch

## XS2410

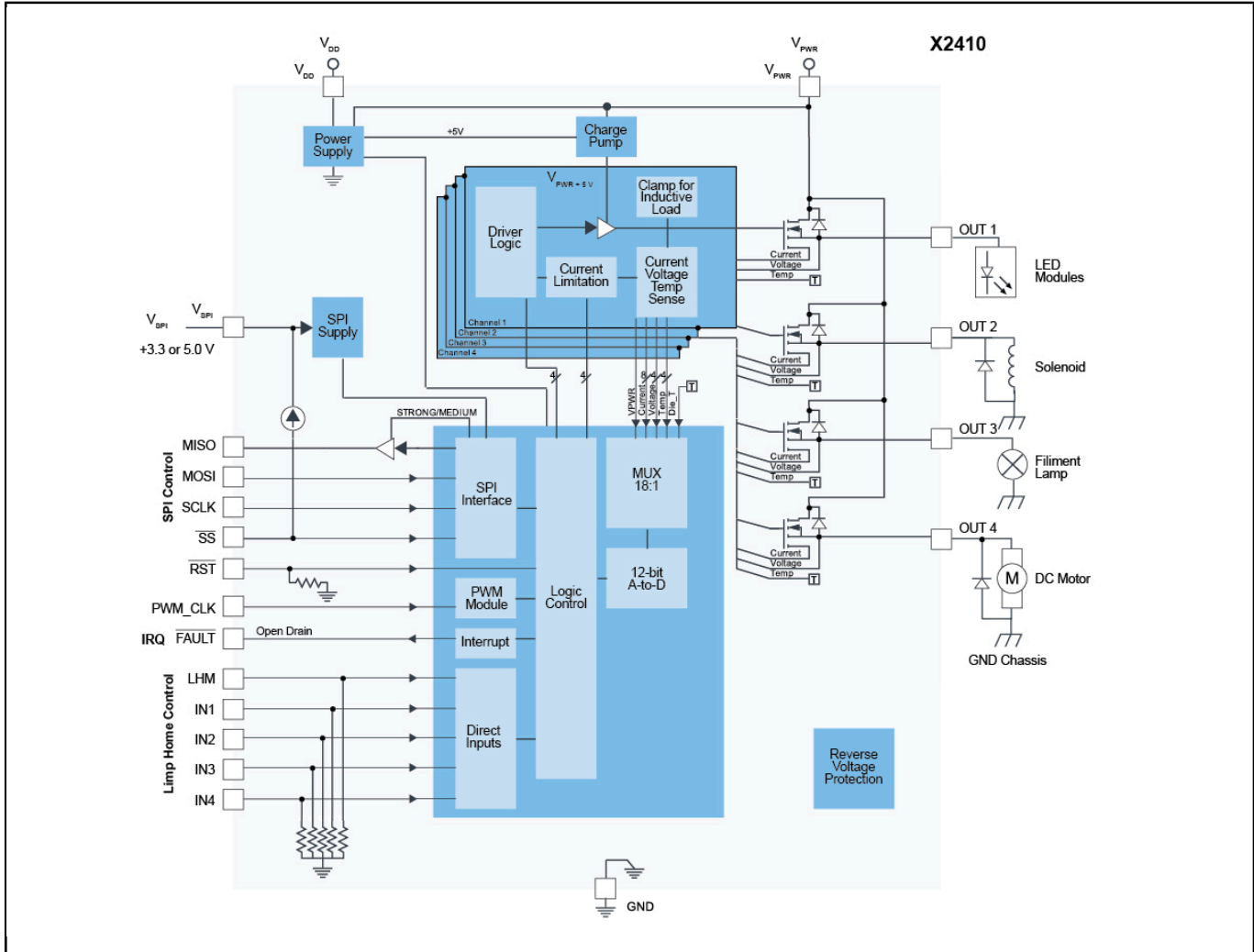
Last Updated: Mar 1, 2024

The MC33XS2410 is a four channel self-protected high-side switch. Featuring advanced digital monitoring and control function, the device is operational from 3.0 V to 60 V. As a result of high-level integration, the embedded 12-bit analog-to-digital converter enables a drastically simplified hardware design and MCU software control.

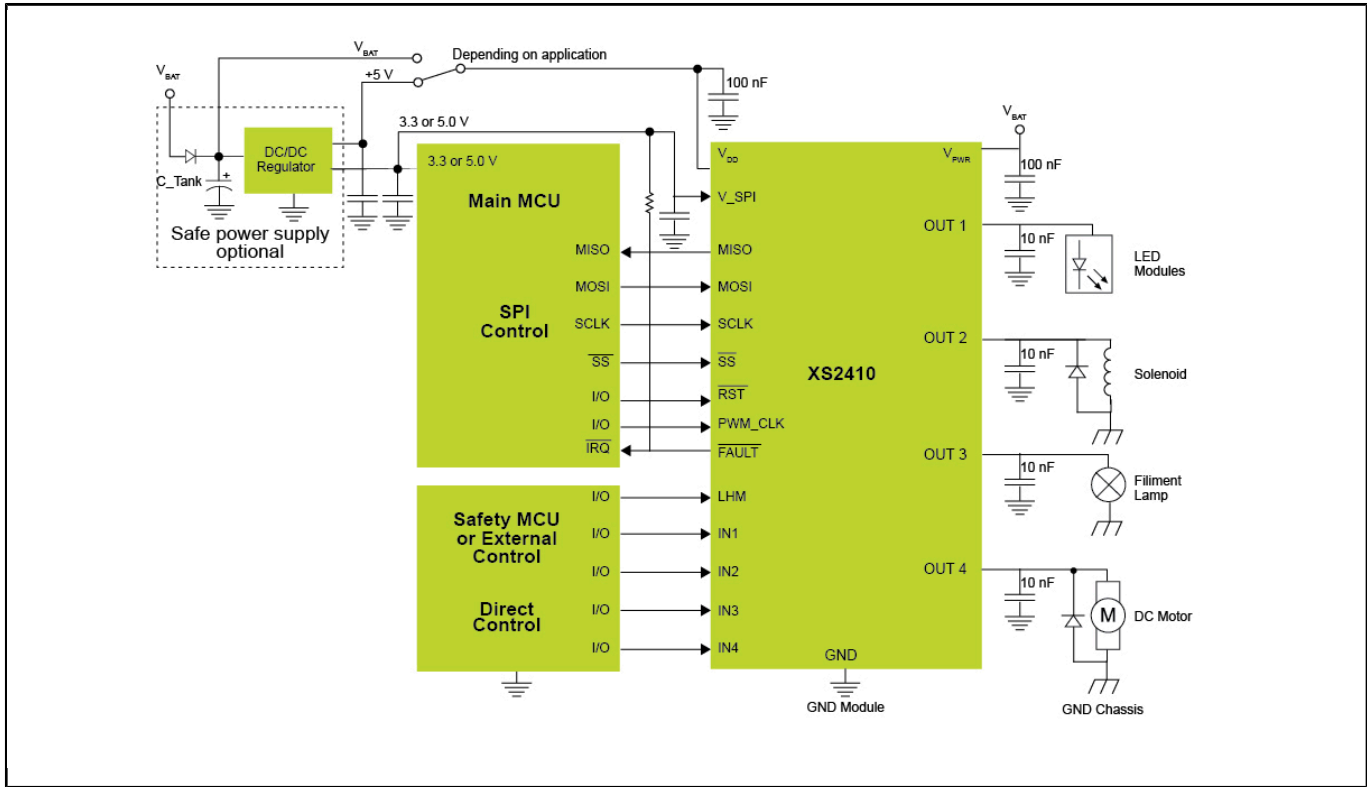
This product has been qualified to the appropriate automotive electronics council (AEC) standard Q100 and is suitable for use in automotive applications.

The device is controlled by SPI port for configuration, monitoring and diagnostics of the outputs. Whenever communication with the MCU is lost, the device enters a safe operation mode, but remains operational, controllable and protected.

# XS2410 Block Diagram Block Diagram



# XS2410 Application Diagram Block Diagram



View additional information for [Quad 100 mΩ / Dual 50 mΩ, 3.0 V to 60 V High-Side Switch](#).

**Note:** The information on this document is subject to change without notice.

[www.nxp.com](http://www.nxp.com)

NXP and the NXP logo are trademarks of NXP B.V. All other product or service names are the property of their respective owners. The related technology may be protected by any or all of patents, copyrights, designs and trade secrets. All rights reserved. © 2024 NXP B.V.