

# Achieving Lowest Power Consumption with MMA8491Q Accelerometer/Tilt Sensor

## 1 Introduction

The MMA8491Q 3-Axis Digital Accelerometer enables the lowest power consumption for low data rate accelerometer applications by providing a unique single sample method with a 1.8 nA low power state between samples. In order to achieve the lowest power, the recommended system configuration utilizes the single sample method and a simple 45 degree tilt sensing output on the device. This method achieves benchmark current consumption by not only reducing the current consumption of the sensor itself, but also by operating the host micro-controller in lowest possible duty cycle through the sensor's digital output pins.

This document describes the recommended low power method of operation of the sensor for low data rate applications by contrasting the tilt sensing and I<sup>2</sup>C methods. The impact of each on power consumption is also demonstrated by providing operational details and bench test results.

### Contents

<b>1</b>	<b>Introduction</b> .....	<b>1</b>
<b>2</b>	<b>Recommended Implementation</b> .....	<b>2</b>
<b>3</b>	<b>Power-Up Timing Sequences</b> .....	<b>2</b>
<b>4</b>	<b>Theoretical Model for I<sub>DD</sub> Calculating</b> .....	<b>4</b>
<b>5</b>	<b>Bench Test Results</b> .....	<b>5</b>
<b>5.1</b>	<b>Typical Case</b> .....	<b>5</b>
<b>5.2</b>	<b>Worst Case</b> .....	<b>6</b>
<b>5.3</b>	<b>Summary</b> .....	<b>8</b>

## 2 Recommended Implementation

MMA8491Q can basically accommodate two accelerometer configurations.

### Tilt sensing configuration

As a 45° tilt sensor, MMA8491Q offers a single line output (of type logical) per axis through the XOUT, YOUT and ZOUT pins. These pins are asserted whenever the tilt angle in the respective axis is greater than 45°. For detailed information on the tilt sensing flow, refer to Freescale application note AN4296.

### Digital output accelerometer configuration

As a digital output accelerometer, the 14-bit accelerometer data can be read via I<sup>2</sup>C communication interface at the end of T<sub>ON</sub> period. T<sub>ON</sub> is the Active stage of the device at the end of which, newly acquired sample data is available. For more information on operation states, refer the Freescale data sheet MMA8491Q.

**Note:** The device should be in active state when the data is being polled (EN pin must be high). For detailed information on this configuration via the I<sup>2</sup>C protocol refer to Freescale application note AN4296.

To achieve the lowest power consumption it is recommended to use the part in tilt sensing configuration as the digital output configuration is slightly more expensive in terms of power budget due to the overhead of I<sup>2</sup>C communications and continuous polling for data between the host and the device.

## 3 Power-Up Timing Sequences

The operational states of MMA8491Q during the acquisition of a single sample are shown in the timing sequence (Figure 1). V<sub>DD</sub> is powered on and then the EN pin is activated to acquire a single sample. Additional samples can be acquired by deasserting the EN pin and reasserting it again repeatedly.

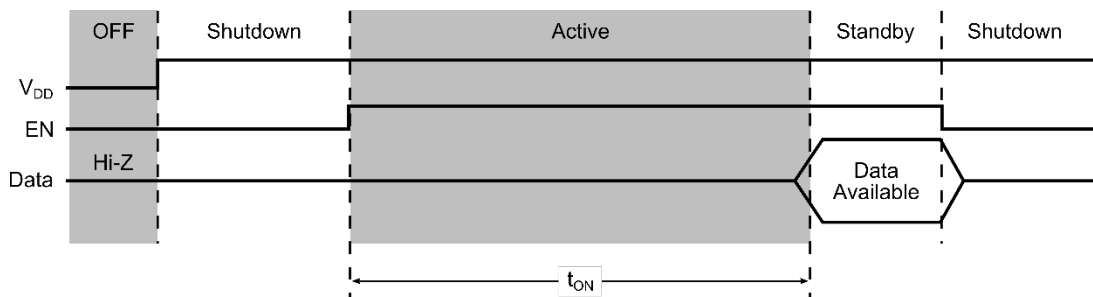
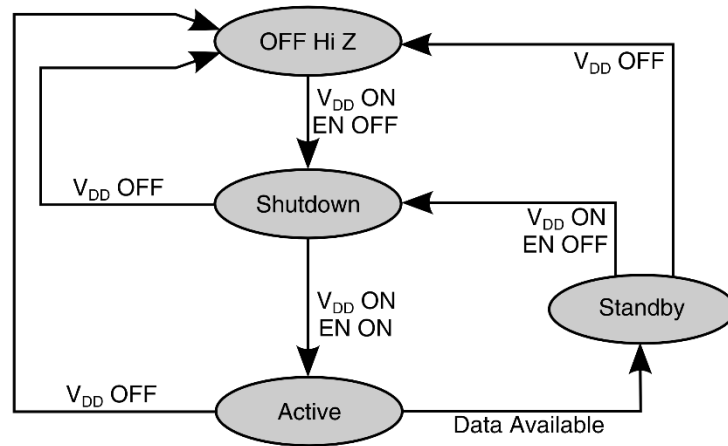
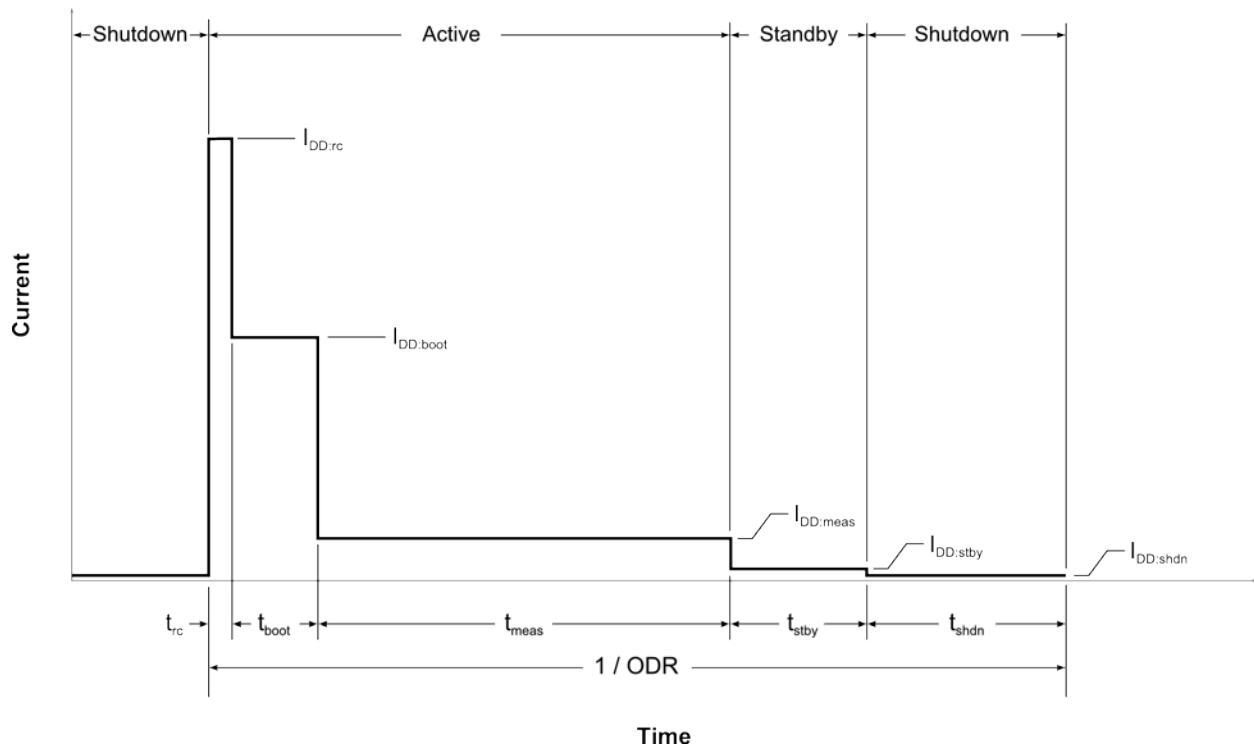


Figure 1. Timing sequence



**Figure 2. Transitional state diagram**



**Figure 3. Current consumption profile**

Figure 3 shows the  $I_{DD}$  profile of the device during a single measurement cycle. The current consumption in each mode of this cycle is discussed below and also identified in Table 1.

### ACTIVE State

The current in ACTIVE state goes through three phases: regulator charge (rc), boot, and measurement (meas).

1.  $I_{DD:rc}$  begins when the EN pin reaches 1.95 V, the point at which the device's internal voltage regulator begins to charge the external bypass capacitor.
2. As the bypass capacitor finishes charging, the current stabilizes to  $I_{DD:boot}$ .

3. After the boot process is complete, the current then drops to  $I_{DD:meas}$  as the accelerometer takes a sample and processes it.

The duration of each current phase,  $t_{rc}$ ,  $t_{boot}$  and  $t_{meas}$ , is internally controlled by the device.

### STANDBY State

The current in this state ( $I_{DD:stby}$ ) is mainly consumed by the digital circuitry, which makes the data outputs available. The length of this stage  $t_{stby}$  is controlled by users by deasserting the EN pin to exit this mode.

### SHUTDOWN State

The current in this state ( $I_{DD:shdn}$ ) is the IC leakage current, after the EN pin is pulled LOW. The device consumes almost no power in this state. Users also control the length of this state ( $t_{shdn}$ ). It is recommended to leave the device in this mode until it is time to take the next sample. This extremely low power state enables users to achieve a low average power consumption for low data rate applications.

**Table 1. Typical current consumption parameters**

State	Average current		Duration	
	Symbol	Typical ( $\mu A$ )	Symbol	Typical (s)
ACTIVE state				
Regulator charge	$I_{DD:rc}$	3272	$t_{rc}$	$20 \times 10^{-6}$
Boot-up	$I_{DD:boot}$	3109	$t_{boot}$	$20 \times 10^{-6}$
Measurement	$I_{DD:meas}$	398	$t_{meas}$	$668 \times 10^{-6}$
STANDBY state1	$I_{DD:stby}$	1.8	$t_{stby}$	User-defined
SHUTDOWN state	$I_{DD:shdn}$	0.0018	$t_{shdn} = \left(\frac{1}{ODR}\right) - (t_{rc} + t_{boot} + t_{meas} + t_{stby})$	Depends on ODR and $t_{stby}$

1. For the experiments and results provided in this document, if I<sup>2</sup>C communication is used in this phase instead of the logical output pins, then average current  $I_{DD:I2C}$  is taken to be 180  $\mu A$  (for pull up resistor values of 10 k $\Omega$  in SDA and SDL lines) and time duration to be  $t_{I2C}$ , which will depend upon the I<sup>2</sup>C communication settings (SCL clock frequency).

## 4 Theoretical Model for I<sub>DD</sub> Calculating

When using the device as a tilt sensor, calculate the average I<sub>DD</sub> using the following equation:

$$\text{Average } I_{DD} (\text{in } \mu A) = ODR(I_{DD:rc}t_{rc} + I_{DD:boot}t_{boot} + I_{DD:meas}t_{meas} + I_{DD:stby}t_{stby} + I_{DD:shdn}t_{shdn}) \quad (1)$$

Substituting the typical values from Table 1 results in equation (2).

$$\text{Average } I_{DD} (\mu A) = ODR \left( 0.3934 + 1.8 t_{stby} + 0.0018 \left( \left( \frac{1}{ODR} \right) - 0.000708 - t_{stby} \right) \right) \quad (2)$$

When using the device as a digital accelerometer, calculate the average  $I_{DD}$  using the following equation:

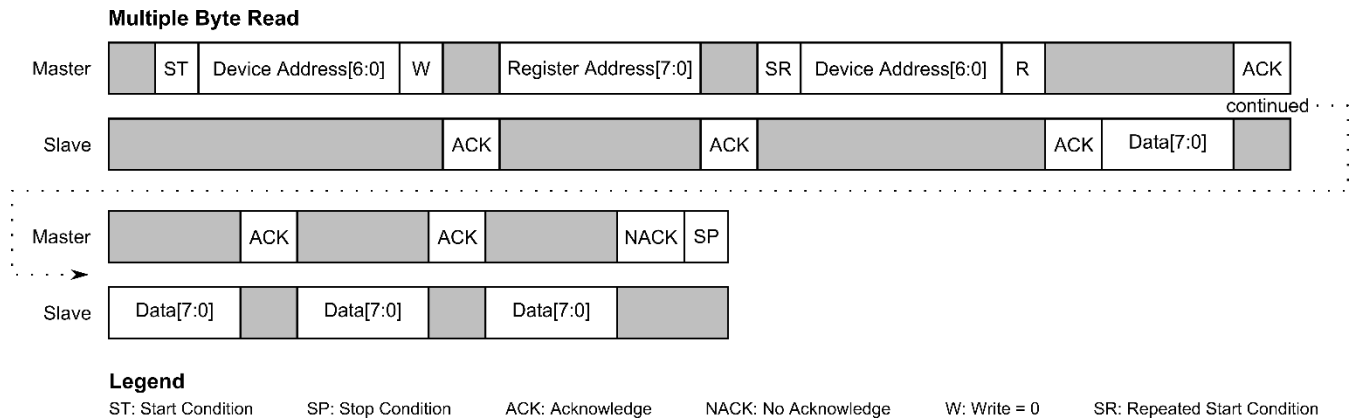
$$\text{Average } I_{DD} (\text{in } \mu\text{A}) = ODR(I_{DD:rc}t_{rc} + I_{DD:boot}t_{boot} + I_{DD:meas}t_{meas} + I_{DD:I2C}t_{I2C} + I_{DD:shdn}t_{shdn}) \quad (3)$$

Substituting the typical values from Table 1 results in equation (4).

$$\text{Average } I_{DD} (\mu\text{A}) = ODR \left( 0.3934 + 180 t_{I2C} + 0.0018 \left( \left( \frac{1}{ODR} \right) - 0.000708 - t_{I2C} \right) \right) \quad (4)$$

## I<sup>2</sup>C Time Calculations

In order to evaluate  $t_{I2C}$ , first observe the I<sup>2</sup>C protocol diagram shown in Figure 4.



**Figure 4. I<sup>2</sup>C protocol diagram (multiple byte read)**

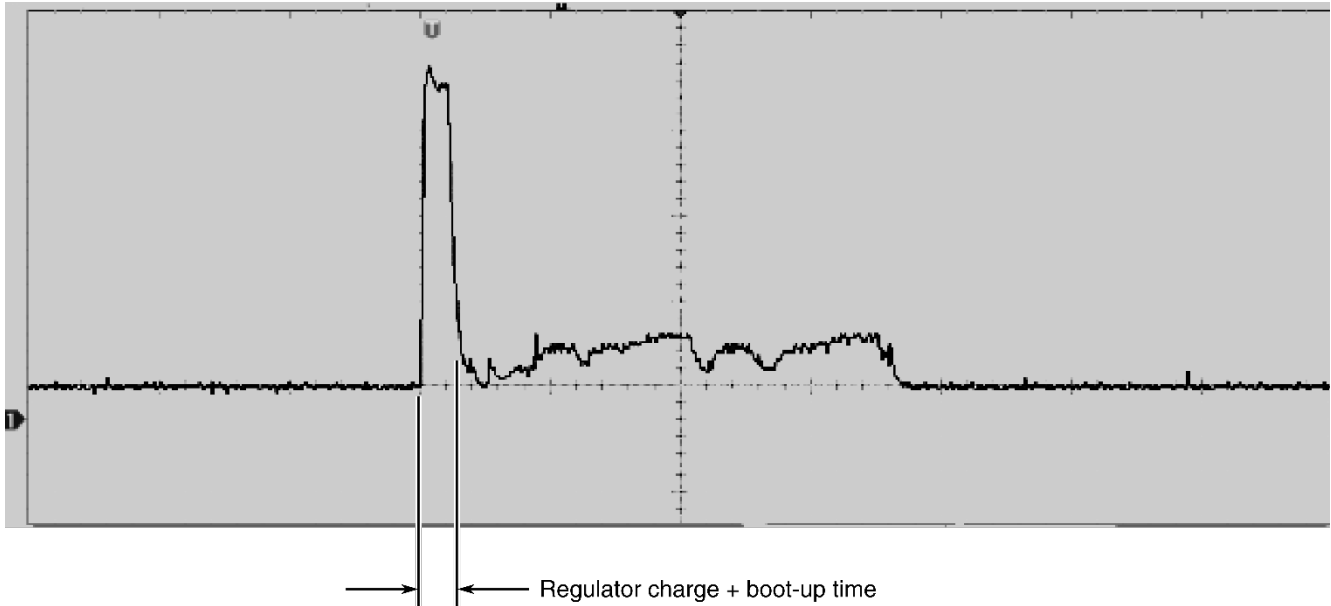
From Figure 4, the total number of clock cycles required to read eight consecutive data bytes is 93 clock cycles (93 bits).

So for a SCL clock frequency of about 375 kHz, (1 clock cycle = 2.66  $\mu$ s), the above byte sequence will take about 248  $\mu$ s (93 bits  $\times$  2.66  $\mu$ s/bit).

## 5 Bench Test Results

### 5.1 Typical Case

Figure 5 shows the typical current consumption profile of the part implemented in tilt sensing configuration with the typical application circuit as shown in the device datasheet.



**Figure 5. Typical current consumption profile**

In this sample study, the standby time ( $t_{stby}$ ) is 20  $\mu\text{s}$  and ODR is taken to be 1 Hz.

When using the device as a tilt sensor, substituting these values into equation (2), we get:

$$\begin{aligned} \text{Average } I_{DD}(\text{in } \mu\text{A}) &= \text{ODR} \left( 0.3934 + 1.8 t_{stby} + 0.0018 \left( \left( \frac{1}{\text{ODR}} \right) - 0.000708 - t_{stby} \right) \right) & (5) \\ &= 1 \left( 0.3934 + 1.8(20 \times 10^{-6}) + 0.0018 \left( \left( \frac{1}{1} \right) - 0.000708 - 20 \times 10^{-6} \right) \right) \\ &\sim = 0.3952 \mu\text{A} \end{aligned}$$

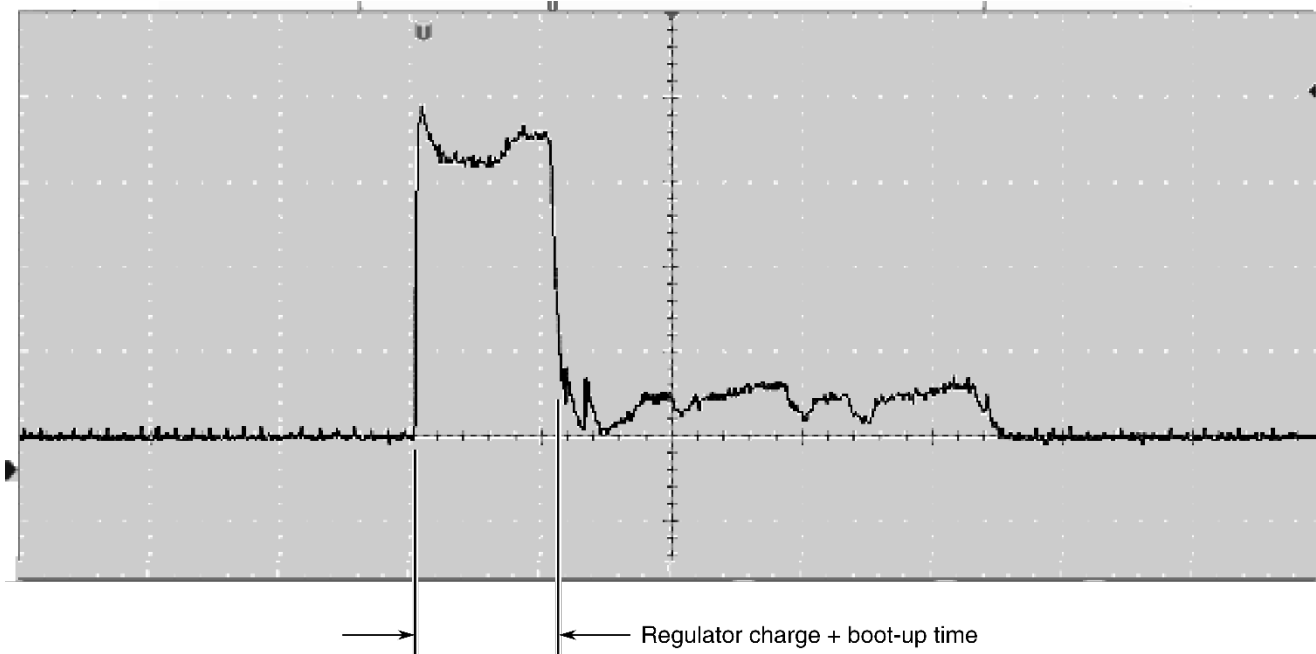
Similarly, when using the device as a digital output accelerometer (using I<sup>2</sup>C), substituting the values into equation (4), we get:

$$\begin{aligned} \text{Average } I_{DD}(\text{in } \mu\text{A}) &= \text{ODR} \left( 0.3934 + 180 t_{I2C} + 0.0018 \left( \left( \frac{1}{\text{ODR}} \right) - 0.000708 - t_{I2C} \right) \right) & (6) \\ &= 1 \left( 0.3934 + 180(248 \times 10^{-6}) + 0.0018 \left( \left( \frac{1}{1} \right) - 0.000708 - 248 \times 10^{-6} \right) \right) \\ &\sim = 0.4398 \mu\text{A} \end{aligned}$$

## 5.2 Worst Case

Figure 6 shows the worst case current consumption profile when the part uses a 470 nF bypass capacitor instead of a typical 100 nF capacitor (as the typical application circuit in the device datasheet shows).

**Note:** Only the regulator charge and boot times are significantly increased by 100  $\mu\text{s}$  each, whereas the measurement time remains fixed.



**Figure 6. Worst case current consumption**

When using the device as a tilt sensor, substituting these values into equation (2), we get,

$$\begin{aligned}
 \text{Average } I_{DD} &= ODR \left( 1.0315 + 1.8 t_{stby} + 0.0018 \left( \left( \frac{1}{ODR} \right) - 0.000908 - t_{stby} \right) \right) & (7) \\
 &= 1 \left( 1.0315 + 1.8(20 \times 10^{-6}) + 0.0018 \left( \left( \frac{1}{1} \right) - 0.000908 - 20 \times 10^{-6} \right) \right) \\
 &\sim = 1.0333 \mu\text{A}
 \end{aligned}$$

Similarly, when using the device as a digital output accelerometer (using I<sup>2</sup>C), substituting the values into equation (4), we get:

$$\begin{aligned}
 \text{Average } I_{DD} (\text{in } \mu\text{A}) &= ODR \left( 1.0315 + 180 t_{I2C} + 0.0018 \left( \left( \frac{1}{ODR} \right) - 0.000908 - t_{I2C} \right) \right) & (8) \\
 &= 1 \left( 1.0315 + 180(248 \times 10^{-6}) + 0.0018 \left( \left( \frac{1}{1} \right) - 0.000908 - 248 \times 10^{-6} \right) \right) \\
 &\sim = 1.0779 \mu\text{A}
 \end{aligned}$$

### 5.3 Summary

Figure 7 shows the average  $I_{DD}$  (in  $\mu A$ ). From the figure, operating the device in tilt sensing configuration achieves the lowest power consumption for low data rate applications.

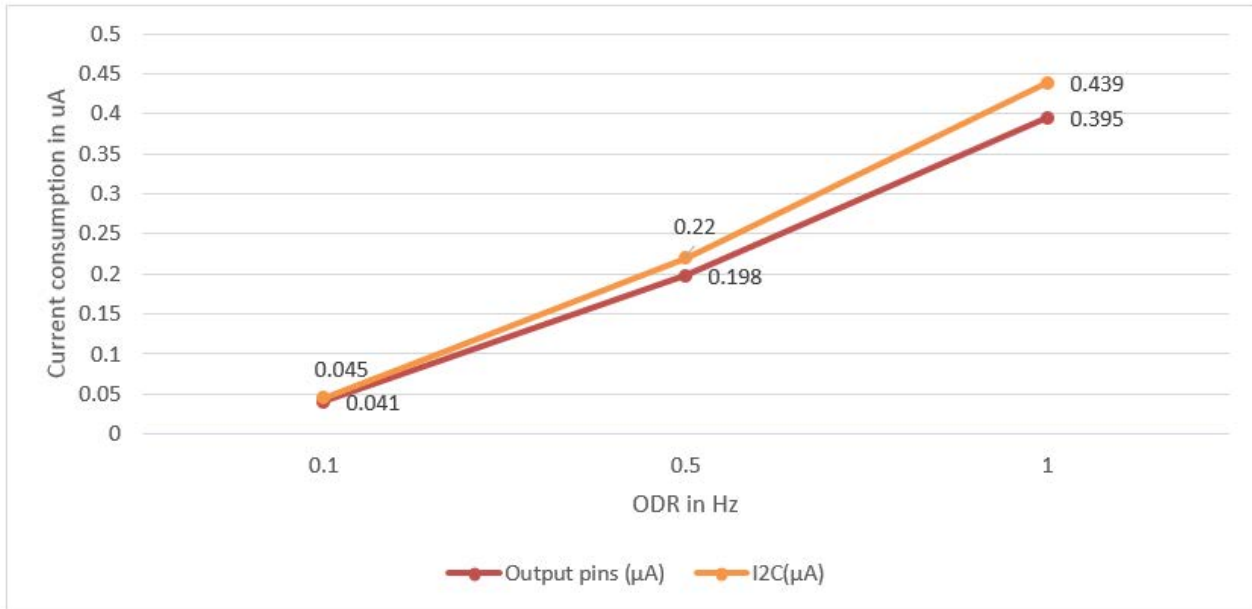


Figure 7. Current consumption vs. ODR for the two configurations





**How to Reach Us:**

**Home Page:**

[freescale.com](http://freescale.com)

**Web Support:**

[freescale.com/support](http://freescale.com/support)

Information in this document is provided solely to enable system and software implementers to use Freescale products. There are no express or implied copyright licenses granted hereunder to design or fabricate any integrated circuits based on the information in this document. Freescale reserves the right to make changes without further notice to any products herein.

Freescale makes no warranty, representation, or guarantee regarding the suitability of its products for any particular purpose, nor does Freescale assume any liability arising out of the application or use of any product or circuit, and specifically disclaims any and all liability, including without limitation consequential or incidental damages. "Typical" parameters that may be provided in Freescale data sheets and/or specifications can and do vary in different applications, and actual performance may vary over time. All operating parameters, including "typicals," must be validated for each customer application by customer's technical experts. Freescale does not convey any license under its patent rights nor the rights of others. Freescale sells products pursuant to standard terms and conditions of sale, which can be found at the following address: [freescale.com/SalesTermsandConditions](http://freescale.com/SalesTermsandConditions).

Freescale and the Freescale logo are trademarks of Freescale Semiconductor, Inc., Reg. U.S. Pat. & Tm. Off. All other product or service names are the property of their respective owners.

© 2014 Freescale Semiconductor, Inc.

Document Number: AN4999  
Revision 1.0, 12/2014

