

Interfacing Flash Memory with the DSP56300 Family of Digital Signal Processors

by Phil Brewer

This application note describes how to interface Flash memory to the DSP56300 family of DSPs. This document is a supplement to the *DSP56300 24-Bit Digital Signal Processor Family Manual* and to the user's manuals and technical data sheets for devices in the DSP56300 family.

Methods are described for interfacing various types of memory to the DSP56300 memory expansion port to assist the DSP hardware engineer in using the processor resources and generating an optimized memory design. These memory designs use a minimum of additional parts. Taking advantage of the available DSP control lines makes virtually glueless external memory interfaces possible, thereby reducing cost and using fewer parts in an application memory design.

Specifically, this application note describes asynchronous implementations for Flash and programmable erasable read-only memory (PEROM) using the DSP56303. The DSP56303 is representative of the DSP56300 family and has all the essential family features. Several examples of memory configurations assist hardware designers in implementing a DSP-based memory design.

CONTENTS

1	Overview	2
2	Non-Volatile Memory Families	2
3	References	3
4	DSP56300 Control Signals	3
4.1	DSP External Memory Timing	4
4.2	DSP Memory Control Registers	6
5	+5 V Flash Memory	8
5.1	512K × 24-bit Shared Memory Flash Example	9
5.2	128K × 24-bit Boot, Program, X and Y Data Flash	19
5.3	128K × 16-Bit X Data and Y Data Flash Example 38	19
6	+3.3 V PEROM Memory	50
6.1	32K × 8-Bit Boot PEROM Example	51
6.2	512K × 8-Bit Boot/Overlay PEROM Example	61
6.3	32K × 16-Bit X Data and Y Data PEROM Example	72
7	Advantages	85
7.1	Disadvantages	86
7.2	Speed Selection	86

1 Overview

The DSP56300 family of DSPs uses a programmable 24-bit fixed-point core. This core is a high-performance, single-clock-cycle-per-instruction engine that consists of a peripheral/memory expansion port (port A), external memory and peripheral DRAM controller, data arithmetic logic unit (data ALU), address generation unit (AGU), instruction cache controller, program control unit, internal concurrent six-channel DMA controller, PLL clock generator, on-chip emulation (OnCE™) module, JTAG test access port (TAP) compatible with the **IEEE Std. 1149.1™** Standard, and a peripheral and memory expansion bus. The main features of the DSP56300 core include:

- Modified Harvard architecture with 24-bit instruction and 24-bit data width
- Fully pipelined 24 × 24-bit parallel multiplier-accumulator (MAC)
- 56-bit parallel barrel shifter
- 16-bit arithmetic mode of operation
- Highly parallel instruction set
- Position Independent Code (PIC) instruction set support
- Unique DSP addressing modes
- Internal memory-expandable hardware stack
- Nested hardware DO loops
- Fast auto-return interrupts
- Instruction cache
- External memory and peripheral access attribute select support
- Phase lock loop (PLL)
- Program address tracing support

The main differences between derivatives of the DSP56300 family are the size of the internal memory and the types of peripherals and hardware accelerators.

2 Non-Volatile Memory Families

The following non-volatile memory families were considered for this application note:

- Flash memory:
 - 12.0 V Flash (bulk erase)
 - 5.0 V Flash (sector erase); 8/16-bit organization
 - 3.3 V Flash (sector erase); 8/16-bit organization
- PEROM memory:
 - 5.0 V PEROM (sector erase); 8/16-bit organization
 - 3.3 V PEROM (sector erase); 8/16-bit organization
 - 2.7 V PEROM (sector erase); 8/16-bit organization

The examples in this application note use the most popular memory types and types requiring little or no supporting hardware (that is, glue logic). The examples provided for these memory types can assist designers in implementing other memory families and memory types with the DSP56300 family.

3 References

- The following data sheets and manuals are available at the Freescale web site listed on the back cover of this application note:
 - *DSP56300 24-Bit Digital Signal Processor Family Manual* (DSP56300FM).
 - *DSP56301 Technical Data Sheet* (DSP56301).
 - *DSP56302 Technical Data Sheet* (DSP56302).
 - *DSP56303 Technical Data Sheet* (DSP56303).
 - *DSP56301 24-bit Digital Signal Processor User's Manual* (DSP56301UM).
 - *DSP56303 24-bit Digital Signal Processor User's Manual* (DSP56303UM).
 - *DSP56303EVM User's Manual*.
- *Atmel Corporation Nonvolatile Memory Data Book*, Atmel, May 1996.
- *Advanced Micro Devices FLASH Memory Products 1994/1995 Data Book/Handbook*, AMD, 1995.
- *Quality Semiconductor QuickSwitch® Products Databook*, Quality Semiconductor, 1995.
- *Quality Semiconductor Application Note AN-11, 'Bus Switches Provide 5v and 3v Logic Conversion with Zero Delay'*, Quality Semiconductor, 1995.

4 DSP56300 Control Signals

This section describes only the DSP control signals which are used in the memory implementation examples. Other memory configuration implementations may require other memory support features of the DSP56300 family. These additional memory control signals are described in the port A chapter of the *DSP56300 24-Bit Digital Signal Processor Family Manual*.

- Read Data Enable ($\overline{\text{RD}}$). Output signal asserted during an external memory or peripheral read access.
- Write Data Enable ($\overline{\text{WR}}$). Output signal asserted during an external memory or peripheral write access.
- Address Bus (A[0–17]). Address lines that allow the DSP563003 to address 256K words of external memory or peripherals directly. These output signals are asserted only during external memory or peripheral read or write accesses. These signal lines maintain state when external memory spaces are not being accessed.
- Data Bus (D0–D23). Data lines on the DSP56303 that are bidirectional signals asserted only during external program and data memory accesses. These signal lines maintain state when external memory spaces are not being accessed.
- Address Attribute/Row Address Strobe (AA[0–3]/ $\overline{\text{RAS}}$ [0–3]). When the Address Attribute, AA, option is selected for these signal lines, they can function as chip selects or additional address lines. When the $\overline{\text{RAS}}$ option is selected, they can function as Row Address Strobe lines for DRAM interfacing.

4.1 DSP External Memory Timing

The DSP56300 family derives its core clock from one of various sources (see the PLL and clock generator chapter in the *DSP56300 24-Bit Digital Signal Processor Family Manual*). All memory interface timings are derived from the period of the DSP core clock. For example, if the DSP core clock frequency is 80 MHz, the memory timings are based on a 12.5 nS clock cycle time, and an external memory typically requires less than 12.5 nS access time for one DSP wait state operation. However, these timings are affected by several factors, such as the use of the phase lock loop, the use of an external frequency over or under 4 MHz, the source of the external frequency, and propagation delays in the DSP itself. Any of these factors can cause this value to deviate from 12.5 nS. **Table 1** represents expected required memory performance data at an 80 MHz DSP core frequency and various wait states using the DSP56303.

Table 1. External Memory Speeds with DSP Wait States

External Clock (MHz)	DF	MF	PDF	WS	Core Clock (MHz)	TC (nS)	t _{AA} – max (nS)	t _{AW} – min (nS)
4.00	1	20	1	1	80.00	12.5	12.4	17.9
4.00	1	20	1	2	80.00	12.5	24.9	30.4
4.00	1	20	1	3	80.00	12.5	37.4	42.9
4.00	1	20	1	4	80.00	12.5	49.9	55.4
4.00	1	20	1	5	80.00	12.5	62.4	67.9
4.00	1	20	1	6	80.00	12.5	74.9	80.4
4.00	1	20	1	7	80.00	12.5	87.4	92.9
4.00	1	20	1	8	80.00	12.5	99.9	105.4
4.00	1	20	1	9	80.00	12.5	112.4	117.9
4.00	1	20	1	10	80.00	12.5	124.9	130.4
4.00	1	20	1	11	80.00	12.5	137.4	142.9
4.00	1	20	1	12	80.00	12.5	149.9	155.4
4.00	1	20	1	13	80.00	12.5	162.4	167.9
4.00	1	20	1	14	80.00	12.5	174.9	180.4
4.00	1	20	1	15	80.00	12.5	187.4	192.9
4.00	1	20	1	16	80.00	12.5	199.9	205.4
4.00	1	20	1	17	80.00	12.5	212.4	217.9
4.00	1	20	1	18	80.00	12.5	224.9	230.4
4.00	1	20	1	19	80.00	12.5	237.4	242.9
4.00	1	20	1	20	80.00	12.5	249.9	255.4

Notes:

1. DF = Division Factor defined by the DF0-DR2 bits in the PCTL Register
2. MF = PLL Multiplication Factor defined by the MF0-MF11 bits in the PCTL Register
3. PDF = Predivision Factor defined by the PD0-PD3 bits in the PCTL Register
4. WS = Wait States
5. TC = Clock Cycle Time
6. t_{AA} = Data access time (address and AA valid to input data valid)
7. t_{AW} = Data access time (address and AA valid to WR deassertion)

4.1.1 DSP56303 External Memory Asynchronous Read Timing

During reads from external asynchronous memory, the DSP56303 memory read access is controlled by the following steps:

1. The required memory address is asserted. The memory address is created by combining the address bus, A[0–17], and the Address Attributes, AA[0–3].
2. After a delay of t_{AR} (address valid to \overline{RD} assertion time), the Read enable signal, \overline{RD} , is asserted.
3. Before a delay of t_{OE} (i.e., \overline{RD} assertion to input data valid), the memory device puts valid data on the data bus.
4. The DSP latches the data bus data and deasserts \overline{RD} . The DSP does not require any data hold time, t_{OHZ} , after deassertion of the \overline{RD} signal.

The data access time, t_{AA} (address and AA valid to input data valid), is the time delay typically used by memory devices to specify data access timing. The t_{AA} for a memory device must be less than or equal to the DSP t_{AA} time for valid data transfers.

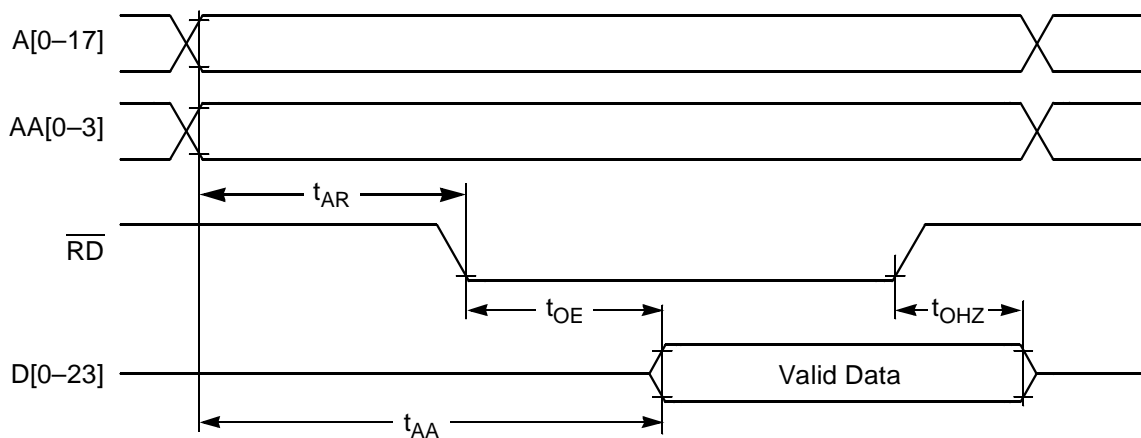


Figure 1. External Memory Bus Asynchronous Read Timing

4.1.2 DSP56303 External Memory Asynchronous Write Timing

During writes to external asynchronous memory, the DSP56303 memory write access is controlled by the following steps:

1. The memory select address is asserted. The memory select address is created by combining the Address bus, A0–A17, and the Address Attributes AA0–AA3.
2. After a delay of t_{AS} —address valid to \overline{WR} assertion time—the Write enable signal, \overline{WR} , is asserted.
3. Before a delay of t_{WA} — \overline{WR} assertion to output data valid—the DSP places valid data on the data bus.
4. After a delay of t_{DW} —data valid to \overline{WR} deassertion (data set-up time)—the DSP deasserts the \overline{WR} signal.
5. Then the DSP deasserts the address and address attributes after t_{WR} — \overline{WR} deassertion to address not valid—while holding the data valid for t_{DH} .

The data access time, t_{AW} (i.e., address and AA valid to \overline{WR} deassertion), is typically the critical timing specification for memory devices. The t_{AW} for a memory device must be less than or equal to the DSP t_{AW} time for valid data transfers.

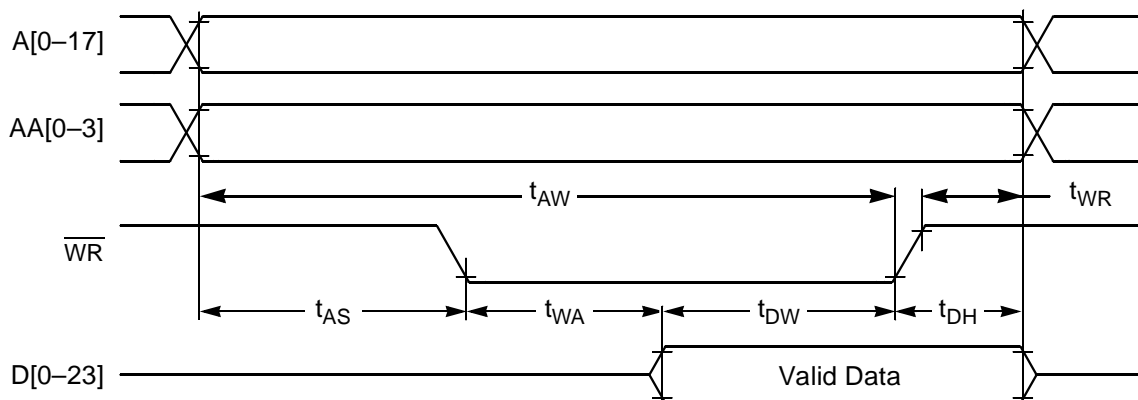


Figure 2. External Asynchronous Memory Bus Write Timing

4.2 DSP Memory Control Registers

You must configure the following control registers to access external memory or peripherals properly when using the DSP56303:

- DSP PLL and Clock Generation register
- Bus Control Register
- DRAM Control Register (if DRAM is used)
- Address Attribute Registers

4.2.1 DSP PLL and Clock Generation

You must set the core speed of the DSP for optimum processor and memory performance by configuring the DSP PLL and Clock Generation in the PLL Control (PCTL) register. For detailed information on the PCTL register, see the PLL and Clock Generator chapter in the *DSP56300 24-Bit Digital Signal Processor Family Manual*. The PLL Control register is an X data I/O mapped 24-bit register. The PCTL register can be separated into four sub-functions:

- *Frequency predivider.* The input clock frequency can be predivided before it is passed it to the PLL loop frequency multiplier. This frequency predivider has a programmable division factor range of 1–16. It is set by controlling the values placed in the PCTL register bits 20–23. The division factor is the binary value stored in bits 20–23, plus one.
- *PLL loop frequency multiplier.* The clock frequency output from the predivider is multiplied by the voltage-controlled oscillator (V_{CO}). The multiplication factor is set by the value in the PCTL register bits 0–11. The multiplication factor is the binary value stored in bits 0–11, plus one.
- *Frequency low-power divider.* The low-power divider (LPD) can divide the output frequency of the V_{CO} before it is used by the DSP core. This frequency low-power divider has a programmable division factor range of 1–128. It is set by controlling the values placed in the PCTL register bits 12–14. The low-power division factor is 2^n , where n is the value in PCTL bits 12–14.

- *Frequency control bits.* The following five control bits control the input frequency source, the PLL during Stop mode, the activation of the PLL V_{CO} , and the external availability of the core clock:
 - Crystal frequency is less than 200 kHz, bit 15
 - Disable XTAL drive output, bit 16
 - PLL runs during STOP mode, bit 17
 - Enable PLL operation, bit 18
 - Disable core clock output, bit 19

Device operating core frequency is set by the control bits in the PCTL register as follows:

$$F_{CORE} = \frac{F_{EXTAL} \times MF}{PDF \times DF}$$

where

- F_{CORE} is the DSP core frequency.
- F_{EXTAL} is the external input frequency source present on the EXTAL pin.
- PDF is the predivider factor defined by the PD[0–3] bits in PCTL.
- MF is the PLL Multiplication Factor defined by the MF[0–11] bits in PCTL.
- DF is the Division Factor defined by the DF[0–2] bits in PCTL.

4.2.2 Bus Control Register (BCR)

The Bus Control Register (BCR) is a 24-bit X data I/O register that controls the external bus wait states generated for each address attribute area 0–3 and assigns a default value to all memory areas not covered by an address attribute area. Each area can have up to 31 wait states. Select the correct number of wait states for each memory configuration using this register.

- Wait states for address attribute area 0, allowing 0–31 wait states, bits 0–4
- Wait states for address attribute area 1, allowing 0–31 wait states, bits 5–9
- Wait states for address attribute area 2, allowing 0–7 wait states, bits 10–12
- Wait states for address attribute area 3, allowing 0–7 wait states, bits 13–15
- Wait states for address areas not specified by areas 0–3, allowing 0–31 wait states, bits 16–20
- The bus state status, bit 21
- Enable Bus Lock Hold, bit 22
- Enable Bus Request Hold, bit 23

4.2.3 Address Attribute Control Registers (AAR0–AAR3)

Four 24-bit Address Attribute Control registers in the X data I/O memory space control the activity of the AA[0–3]/RAS0–RAS3 pins. Each AA/RAS pin is asserted if the address and memory space of the appropriate AARx matches the requested external memory address and address space.

- Specify external memory access type; select from Synchronous SRAM, Asynchronous SRAM, and DRAM accesses, bits 0–1
- Pull the AA pin high, bit 2
- Activate the AA pin during external program space accesses, bit 3
- Activate the AA pin during external X data space accesses, bit 4
- Activate the AA pin during external Y data space accesses, bit 5
- Move the eight Least Significant bits (LSBs) of the address to the eight Most Significant bits (MSBs) of the external address bus, bit 6
- Enable the internal packing/unpacking logic during external DMA accesses, bit 7
- Specify the number of address bits to compare, allowing the use of 0–12 address bits, bits 8–11
- Specify the most significant portion of the address to compare, bits 12–23

4.2.4 Operating Mode Register (OMR)

The Operating Mode Register (OMR) is a 24-bit I/O register that selects the operating mode of the DSP, external memory controls, and stack extension controls. The following flags are applicable to memory interfacing:

- The DSP operating mode is specified by MA–MD, bits 0–3.
- The External Bus Disable bit disables the external bus controller for power conservation when external memory is not used, bit 4.
- The Memory Switch mode bit reconfigures internal memory spaces, bit 7.
- The Transfer Acknowledge synchronize select bit selects the synchronization method for the Transfer Acknowledge (\overline{TA}) pin, bit 11.
- The Bus Release Timing bit selects between a fast and slow bus release of the \overline{BB} pin, bit 12.
- The Address Attribute Priority Disable bit allows the address attribute pins, AA[0–3], to be used in any combination, bit 14.

4.2.5 Status Register (SR)

The Status Register (SR) is a 24-bit I/O register that selects and monitors the results of arithmetic computations and the current state of the DSP. The following flags apply to memory interfacing:

- Sixteen-Bit Compatibility mode enables full compatibility with object code written for the DSP56000 family, bit 13.
- Instruction Cache Enable bit enables the instruction cache controller and changes the last 1K of internal program memory into cache memory, bit 19.

5 +5 V Flash Memory

Flash memory provides non-volatile program and data storage, which is in-circuit reprogrammable and offers relatively fast access times. However, even the fastest Flash memories require a DSP core running at 80 MHz to generate several external memory wait states, with each wait state equivalent to one clock period of the DSP core (i.e., one wait state would be approximately 12.5 nS for a core running at 80 MHz).

When the external memory device must reside in a stable address during an entire external access, a DSP56300 family device incurs an automatic one wait state penalty. Since Flash devices require address stability, the DSP operates with at least one wait state when using these external memories.

The following three design examples illustrate how easy and flexible it is to use AMD Flash memory with the Freescale DSP56300 family.

- The first example uses three 512K × 8-bit Flash devices to form a block of 512K × 24-bit words, all of which are accessible as program, X data, and Y data memory. This example shows one solution for an embedded system, which executes code and references data tables from the shared 512K word bank of Flash memory.
- The second example uses three 512K × 8-bit Flash devices to form a block of 512K × 24-bit words. In this example, the memory is accessed as four separate memory areas: a 128K word boot area, a 128K word program area, a 128K word X data area, and a 128K word Y data area.
- The third example uses a 256K × 16-bit Flash device that is accessed as a 128K × 16-bit X data area and a 128K × 16-bit Y data area. This example demonstrates how a system can change or upgrade its 16-bit reference data tables.

5.1 512K × 24-bit Shared Memory Flash Example

This example implements a 512K × 24-bit word memory space that is accessible as program, X data, and Y data memory. This design uses three AMD Am29F040 devices. See **Figure 3** for the memory map layout, **Figure 4** for the block diagram, **Example 1** for the program, and **Figure 5** for the schematic. Since the program, X data and Y data spaces are shared, any location referenced by a program memory access also accesses the same memory location during an X data or Y data access. Since the Flash memory is in the DSP program space, program control can be turned over to the program in Flash at \$C00000 at reset. This allows an embedded application to boot and run directly from Flash, using the internal 1 K program cache to help speed repeated program operations. Since the X data and Y data spaces also access the Flash, data can be stored in the Flash for use after boot.

For this example, the DSP core runs at 80 MHz, generated by the PLL from a 4.000 MHz crystal. The memory bank consists of three AMD Am29F040 devices, which are organized as 512K × 8-bits to provide a 24-bit word. These are 5 V devices, with a 90 nS access time. The 90 nS access time requires eight wait states for correct operation.

The DSP56303 data bus is not 5 V tolerant, so level converters are needed to interface with the 5 V memory devices. The devices used are Quality Semiconductor QS3245 QuickSwitch[®] 8-bit Bus Switches. These switches allow the connection of 3.3 V CMOS logic (the DSP data bus) on one side and 5 V TTL-compatible logic (the memory devices) on the other side, effectively providing a 3.3 V to 5 V level conversion. The propagation delay of the switch is 0.25 nS, which is not significant in this design.

This example demonstrates a minimal external memory design using a single bank of Flash memory in the external memory spaces. If you add more memory or other devices to the bus, additional address decode logic may be needed.

After reset with Mode 0 selected, the DSP starts fetching instructions from external memory at location P:\$C00000. Although this DSP core uses 24-bit addressing internally, only eighteen external address lines (A0–A17) are provided. Consequently, the top six bits are stripped, and the address presented on the address bus is \$000000. The Flash memory is configured to respond to all external memory requests, as \overline{CE} is asserted at all times. Since the eighteen bits can address only 256K words, only the first 256K words of the Flash are accessible, and data aliasing occurs every 256K words (i.e., accessing location 256K returns the contents of the same Flash

location as accessing location 0 or location 512K, and so on). To access the upper 256K words of Flash, address attribute 0 (AA0) is used as Flash address bit A18. AAR0 is configured so that AA0 is set for all address accesses (program, X data, and Y data) in the range \$C40000–\$C7FFFF and cleared otherwise. However, AA0 is set on exit from Reset and stays set until AAR0 is initialized. This means that initially, when instructions are fetched from \$C00000, they are not fetched from Flash location \$000000 but from \$040000.

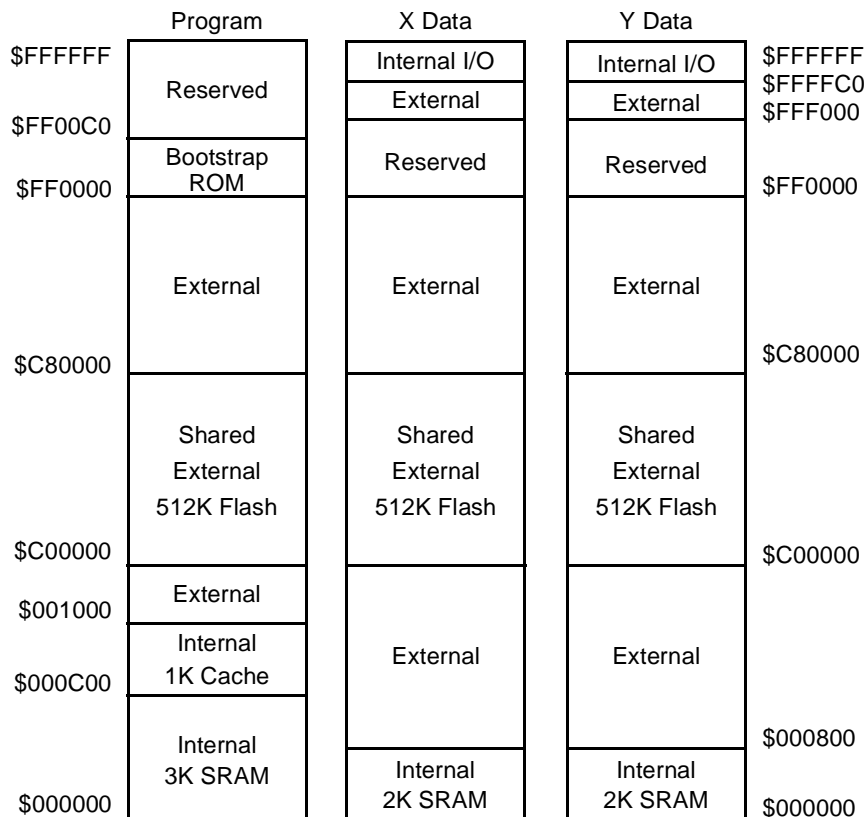


Figure 3. 512K x 24-bit Flash Memory Map

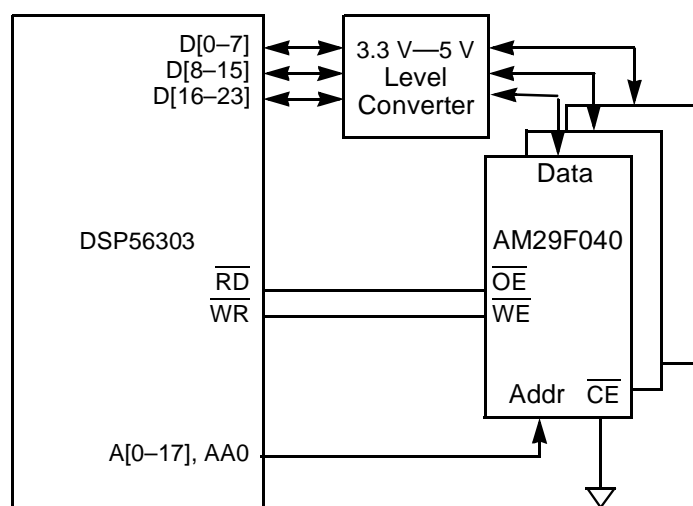


Figure 4. 128K x 24-bit Boot, Program, X Data, Y Data Flash Block Diagram

5.1.1 Flash Timing Requirements

For the Flash device to work properly, its timing requirements must be met. Following are the timing requirements for the Am29F040-90 512K × 8-bit 90 nS Flash. **Table 2** shows the memory read timing specification values used in the memory read cycle timing diagram, **Figure 5**.

Table 2. Am29F040-90 Memory Read Timing Specifications

Read Cycle Parameter	Symbol	Min	Max
Read Cycle Time	t_{RC}	90 nS	—
Address to Output Delay	t_{ACC}	—	90 nS
Chip Enable to Output Delay	t_{CE}	—	90 nS
Output Enable to Output Delay	t_{OE}	—	35 nS
Output Hold Time from Address, \overline{CE} or \overline{OE} . Whichever occurs first.	t_{OH}	0 nS	—

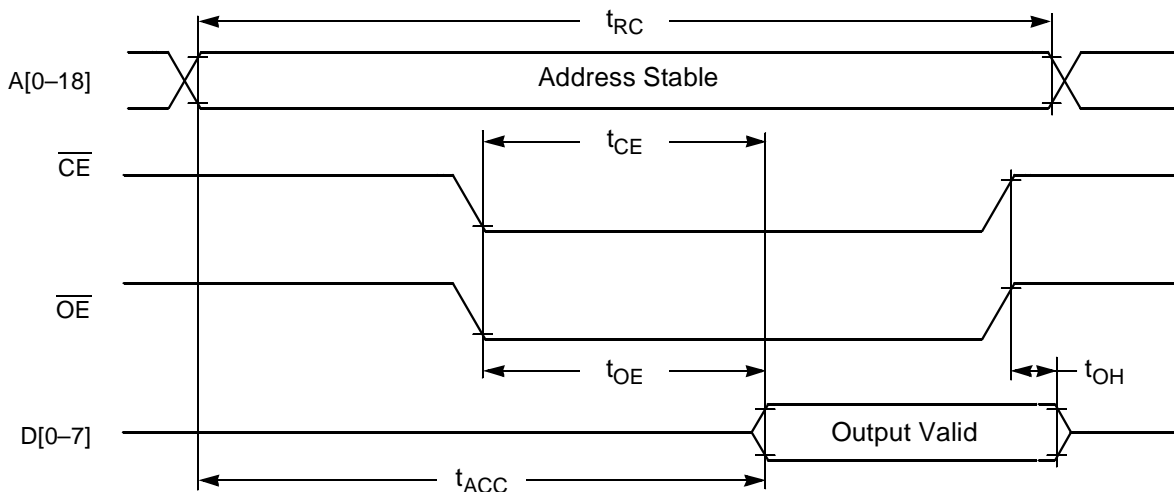


Figure 5. Am29F040 Memory Read Cycle Timing Diagram

Table 3 shows the memory write timing specification values used in the memory write cycle timing diagram, **Figure 6**.

Table 3. Am29F040-90 Memory Write Timing Specifications

Write Cycle Parameter	Symbol	Min	Max
Write Cycle Time	t_{WC}	90 nS	—
Address Set-up Time	t_{AS}	0 nS	—
\overline{CE} Set-up Time	t_{CS}	0 nS	—
Write Pulse Width	t_{WP}	35 nS	—
Data Set-up Time	t_{DS}	35 nS	—
Data Hold Time	t_{DH}	0 nS	—

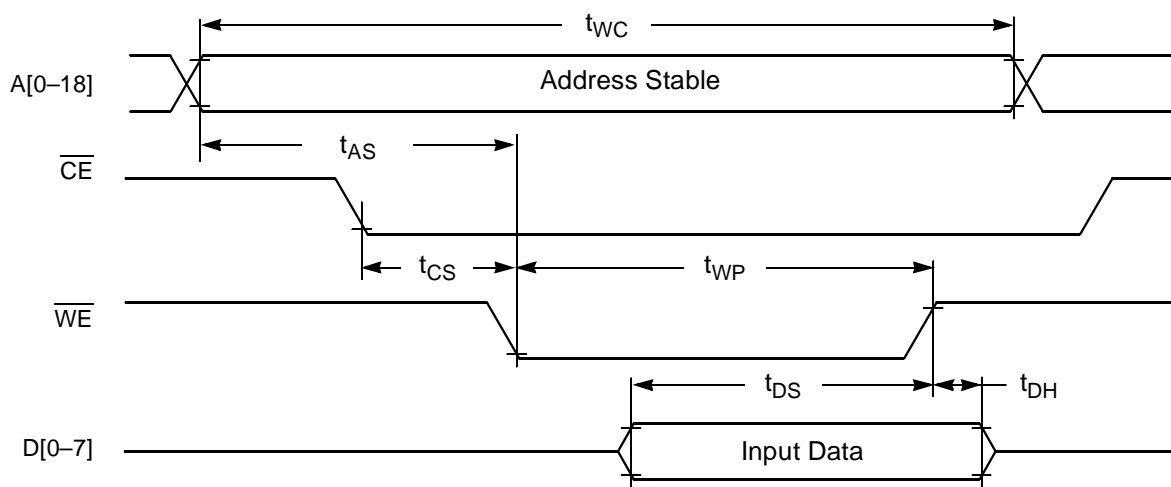


Figure 6. Am29F040 Memory Write Cycle Timing Diagram

A location in the Flash can be programmed if that location has not been written with a zero in any of the eight bits. If the memory location has been previously written, then it must first be erased. The Am29F040 device is organized as eight sectors of 64K bytes each, and to erase one memory location, the sector containing that memory location must be erased.

To write to an erased memory location, write the following data sequence to the Flash memory:

1. Write \$AAAAAA to location \$5555 relative to the Flash.
2. Write \$555555 to location \$2AAA relative to the Flash.
3. Write \$A0A0A0 to location \$5555 relative to the Flash.
4. Write 24-bit data to Address in the Flash.
5. Read Address until data read = data written.

To erase a sector, write the following data sequence to the Flash memory:

1. Write \$AAAAAA to location \$5555 relative to the Flash.
2. Write \$555555 to location \$2AAA relative to the Flash.
3. Write \$808080 to location \$5555 relative to the Flash.
4. Write \$AAAAAA to location \$5555 relative to the Flash.
5. Write \$555555 to location \$2AAA relative to the Flash.
6. Write \$303030 to Sector Address Location relative to the Flash.
7. Read location in erasing sector until data read = \$FFFFFF.

5.1.2 DSP56303 Port A Timing Requirements and Register Settings

For most efficient use of the 512K × 24-bit Program, X data, and Y data space memory configuration, set up the following DSP control registers. Set the core speed of the DSP for optimum processor and memory performance using the DSP PLL and Clock Generation (PCTL) register. For this example, the DSP core runs at 80 MHz and the input frequency source is a 4.000 MHz crystal.

The PCTL value combines the following bits for each feature:

- Desired core frequency = 80 MHz
- Given the external frequency = 4.000 MHz
- Predivider value = 1, bits 20–23 = \$0
- Low-power divider value = 1, bits 12–14 = \$0
- V_{CO} Multiplication value = 20, bits 0–11 = \$013
- Crystal is not less than 200 kHz, bit 15 = 0
- Disable XTAL drive output, bit 16 = 0
- PLL runs during STOP, bit 17 = 1
- Enable PLL operation, bit 18 = 1
- Disable core clock output, bit 19 = 1

The value loaded into the PCTL is \$0E0013.

AA0 is used as Flash A18, the most significant address line of the external 512K Flash memory bank accesses in the address range from \$C40000 to \$C7FFFF during program space requests. Using Address Attribute Register 0 (AAR0), configure the memory address space requirements for the Address Attribute Pin 0. The AAR0 value combines the following bits for each feature:

- Specify the external memory access type as asynchronous SRAM, bits 0–1 = \$1.
- Pull the AA0 pin high when selected, bit 2 = \$1.
- Activate the AA0 pin during external program space accesses, bit 3 = \$1.
- Activate the AA0 pin during external X data space accesses, bit 4 = \$1.
- Activate the AA0 pin during external Y data space accesses, bit 5 = \$1.
- Move the eight least significant bits of the address to the eight most significant bits of the external address bus, bit 6 = \$0.
- Enable the internal packing/unpacking logic during external DMA accesses, bit 7 = \$0.
- Specify the number of address bits to compare, bits 8–11 = \$6.
- Specify the most significant portion of the address to compare, bits 12–23 = \$C40.

The value loaded into the AAR0 is \$C4063D. The value loaded into AAR1, AAR2 and AAR3 is \$000000.

Using the Bus Control Register (BCR), select the proper number of wait states for the memory configuration. The BCR value combines the following bits for each feature:

- Address attribute area 0 wait states, bits 0–4 = \$8.
- Address attribute area 1 wait states, bits 5–9 = \$0.
- Address attribute area 2 wait states, bits 10–12 = \$0.
- Address attribute area 3 wait states, bits 13–15 = \$0.
- Default address area wait states, bits 16–20 = \$8.
- Bus state status, bit 21 = 0.

- Enable Bus Lock Hold, bit 22 = 0.
- Enable Bus Request Hold, bit 23 = 0.

The value loaded into the BCR is $\$080008$.

Configure the operating mode and external memory controls using the Operating Mode Register (OMR). The OMR value combines the following bits for each feature:

- MA-MD bits specify the DSP operating mode, bits 0–3 = $\$0$.
- External Bus Disable bit disables the external bus controller for power conservation when external memory is not used, bit 4 = $\$0$.
- Memory Switch Mode bit reconfigures internal memory spaces, bit 7 = $\$0$.
- Transfer Acknowledge Synchronize Select bit selects the synchronization method for the Transfer Acknowledge (\overline{TA}) pin, bit 11 = $\$0$.
- Bus Release Timing bit selects between a fast and slow bus release of the \overline{BB} pin, bit 12 = $\$0$.
- Address Attribute Priority Disable bit allows the Address Attribute pins, AA0–AA3, to be used in any combination, bit 14 = $\$1$.
- All other OMR bits are selected for their defaults of $\$0$.

The value loaded into the OMR is $\$004000$.

Configure the memory mode of the DSP using the Status Register (SR). The SR value combines the following bits for each feature:

- Sixteen-bit Compatibility mode enables full compatibility with object code written for the DSP56000 family of DSPs, bit 13 = $\$0$.
- Instruction Cache Enable bit enables the instruction cache controller and changes the last 1K of internal program memory into cache memory, bit 19 = $\$1$.
- All other Status Register bits are selected for their defaults of $\$0$.

The value loaded into the SR is $\$080000$, which is the value loaded during reset.

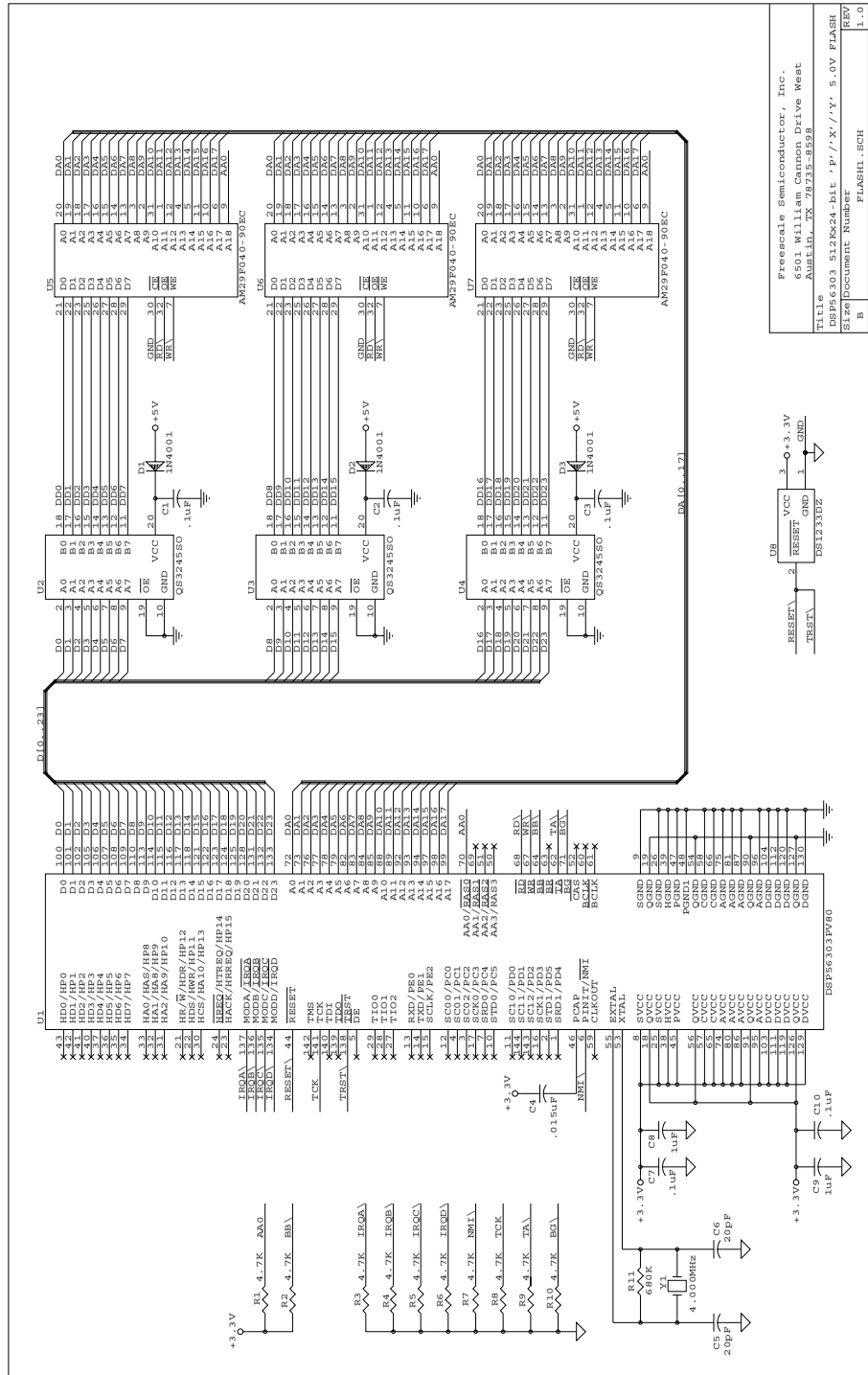


Figure 7. 512K x 24-bit Program, X data, Y data Flash Schematic

Example 1. 512K x 24-bit Program, X Data, and Y Data Space Flash Memory Checksum Program

```

Freescale DSP56300 Assembler Version 6.0.1.6   97-02-23 11:05:32 flash1.asm
1                                     page    132,60,3,3,
2                                     ;
3                                     ;      flash1.asm - Simple program to calculate and write a 24-bit
Checksum
4                                     ;                      for a 512K x 24-bit block of program memory using
5                                     ;                      a DSP56303.
6                                     ;
7                                     ;      The program runs in Internal P:RAM to calculate the checksum
8                                     ;      on External P:FLASH from $C00000 - $C7FFFF @ 8w/s
9                                     ;
10
11      C00000      FMemStart      equ    $C00000
12      C80000      FMemEnd        equ    $C80000
13      080000      FMemSize       equ    FMemEnd-FMemStart ; Last Word is stored
Checksum
14
15      ;--- Program Specific Storage Locations (X DATA SPACE)
16      CKSUM_COMPUTED
17      000000      CKSUM_READ      equ    $000000          ; Computed Checksum Value
18      000001      CKSUM_READ      equ    $000001          ; Old Checksum Value
19
20      ;--- DSP56303 Control Registers (X I/O SPACE)
21      FFFFFB      BCR             equ    $FFFFFFB        ; Bus Control Register
22      FFFFFD      PCTL           equ    $FFFFFFD        ; PLL Control Register
23      FFFFF9      AAR0           equ    $FFFFFF9        ; Address Attribute Register 0
24
25      ;--- PCTL value = 0x0E0013
26      000000      prediv          equ    0              ; Predivider = 1
27      000000      lowdiv          equ    0              ; Low Power Divider = 1
28      000013      pllmul          equ    19             ; VCO Mult = 20;
(19+1)*4.00MHz=80.00MHz
29      000000      crystal         equ    0              ; No, Crystal not less than 200kHz
30      000000      disXTAL         equ    0              ; No, do not disable crystal use
31      020000      pllstop         equ    $020000        ; Yes, PLL runs during STOP
32      040000      enpll           equ    $040000        ; Yes, enable PLL operation
33      080000      disclk          equ    $080000        ; Yes, disable CORE clock output
34      0E0013      PCTL_value      equ
prediv+lowdiv+pllmul+crystal+disXTAL+pllstop+enpll+disclk
35
36      ;--- AAR0 value = 0xC4063D
37      000001      acctype         equ    1              ; External Memory access type = 0x1
38      000004      aahigh          equ    $4             ; Enable AA0 pin high when selected
39      000008      aap             equ    $8             ; Yes, Enable AA0 pin on ext P access
40      000010      aax             equ    $10            ; Yes, Enable AA0 pin on ext X access
41      000020      aay             equ    $20            ; Yes, Enable AA0 pin on ext Y access
42      000000      aswap           equ    0              ; No, Enable address bus swap
43      000000      enpack          equ    0              ; No, Enable packing/unpacking logic
44      000600      nadd            equ    $000600        ; Compare 6 address bits
45      C40000      msadd           equ    $C40000        ; Most significant part of address,
46      ;                      ; $C40000 - C7ffff, to compare.
47      ;                      ; (1101,01xx,xxxx,xxxx,xxxx,xxxx)
48      C4063D      AAR0_value      equ
acctype+aahigh+aap+aax+aay+aswap+enpack+nadd+msadd
49
50      ;--- BCR value = 0x080008
51      000008      aaa0ws          equ    $8             ; Address Attribute Area 0 w/s = 8
52      000000      aaalws          equ    0              ; Address Attribute Area 1 w/s = 0
53      000000      aaa2ws          equ    0              ; Address Attribute Area 2 w/s = 0

```



```

54      000000      aaa3ws      equ    0          ; Address Attribute Area 3 w/s = 0
55      080000      defws      equ    $080000    ; Default Address Area w/s = 8
56      000000      busss      equ    0          ; Bus state status = 0
57      000000      enblh      equ    0          ; Enable Bus Lock Hold = 0
58      000000      enbrh      equ    0          ; Enable Bus Request Hold = 0
59      080008      BCR_value  equ
aaa0ws+aaa1ws+aaa2ws+aaa3ws+defws+busss+enblh+enbrh
60
61      ;-----
62      P:000100          org          p:$100    ;Keep the program in internal RAM
63
64      flash1
65
66      ;----- Initialization Section -----
67      P:000100 08F4BD      movep   #PCTL_value,x:PCTL; Set PLL Control Register
68      0E0013
69      P:000102 05F439      movec   #$080000,SR      ; Enable 1K Cache
70      080000
71      P:000104 08F4BB      movep   #BCR_value,x:BCR ; Set FLASH's wait states to 12
72      080008
73      P:000106 08F4B9      movep   #AAR0_value,x:AAR0 ; Set Address Attribute Reg0
74      C4063D
75
76      P:000108 05F420      move    #-1,m0          ; Set LINEAR addressing mode
77      FFFFFFFF
78      P:00010A 60F400      move    #FMemStart,r0   ; Set starting address of Flash
79      C00000
80      P:00010C 70F400      move    #FMemSize-1,n0  ; Set to Size of Flash - Checksum
81      07FFFF
82
83      P:00010E 200013      clr     a
84      P:00010F 20001B      clr     b              ; Clear Checksum Accumulator
85      P:000110 560000      move    a,x:CKSUM_COMPUTED; Initialize computed checksum ->
86      $000000
87      P:000111 560100      move    a,x:CKSUM_READ  ; Initialize read checksum -> $000000
88
89      ;----- Compute the 24-bit Checksum -----
90      P:000112 06D810      dor     n0,_loop
91      000003
92      P:000114 07D88E      move    p:(r0)+,a      ; Get the FLASH location Value
93      P:000115 200018      add     a,b            ; and Compute the Checksum
94      _loop
95
96      P:000116 07E08E      move    p:(r0),a      ; Get FLASH Old Checksum Value
97      P:000117 570000      move    b,x:CKSUM_COMPUTED; Save Computed 24-bit Checksum
98      P:000118 560100      move    a,x:CKSUM_READ ; Save 24-bit Checksum read from FLASH
99      P:000119 20001B      clr     b              ; Zero b0 and b2 registers
100     P:00011A 578000      move    x:CKSUM_COMPUTED,b ; Put computed 24-bit checksum in
101     b1
102     P:00011B 20000D      cmp     a,b            ; Old Checksum = New Checksum?
103     P:00011C 0D104A      beq     _done          ; Yes
104     000035
105
106     ; No
107     ;----- See if Checksum Location is Erased -----
108     P:00011E 44F400      move    #$FFFFFF,x0    ; FLASH erased value
109     FFFFFFFF
110     P:000120 200045      cmp     x0,a           ; Contents of checksum location
111     Erased?
112     P:000121 0D104A      beq     _write_checksum ; Yes
113     000020

```

```

99                                     ; No
100                                ;-----
101                                ;           N O T E
102                                ;-----
103                                ; If at least 64Kx24-bit words of external RAM is available in the system
104                                ; then; 1)  the last sector of the FLASH can be read into external RAM
105                                ;         2)  the last sector of the FLASH can be erased,
106                                ;         3)  and then the last sector of data along with the new checksum
107                                ;             can be written back into the FLASH.
108                                ; otherwise; 1)  erase the last sector of the FLASH,
109                                ;         2)  and write the checksum to the FLASH.
110                                ;-----
111                                ;-- Copy the last sector of the FLASH into external RAM (if RAM available)
112                                ;-----
113
114                                ;----- Erase last sector of FLASH -----
115    P:000123 44F400      move    #AAAAAA,x0
116                                AAAAAA
117                                P:000125 077084      move    x0,p:FMemStart+$5555 ; Unlock FLASH cycle 1
118                                C05555
119
120                                P:000127 44F400      move    #$555555,x0
121                                555555
122                                P:000129 077084      move    x0,p:FMemStart+$2AAA ; Unlock FLASH cycle 2
123                                C02AAA
124
125                                P:00012B 44F400      move    #$808080,x0
126                                808080
127                                P:00012D 077084      move    x0,p:FMemStart+$5555; Send set-up command
128                                C05555
129
130                                P:00012F 44F400      move    #AAAAAA,x0
131                                AAAAAA
132                                P:000131 077084      move    x0,p:FMemStart+$5555 ; Unlock FLASH cycle 1
133                                C05555
134
135                                P:000133 44F400      move    #$555555,x0
136                                555555
137                                P:000135 077084      move    x0,p:FMemStart+$2AAA ; Unlock FLASH cycle 2
138                                C02AAA
139
140                                P:000137 44F400      move    #$303030,x0
141                                303030
142                                P:000139 077084      move    x0,p:FMemEnd-$800 ; Send sector erase command
143                                C7F800
144
145                                ; and specify sector to erase
146                                P:00013B 44F400      move    #FFFFFF,x0
147                                FFFFFFFF
148                                _wait_til_erased
149                                P:00013D 07F08E      move    p:FMemEnd-$800,a ; Get value of location in last
sector                                C7F800
150                                P:00013F 200045      cmp     x0,a             ; Fully Erased?
151                                P:000140 0527DD      bne    _wait_til_erased ; No
152
153                                ; Yes
154                                ;-----
155                                ; --- Write the last sector Data back to the FLASH (if RAM available) ---
156                                ;-----
157                                ;----- FLASH Write Routine -----

```

```

144         ; b = contains data to be written to FLASH.
145         ; r0 = points to location in FLASH to be written.
146         _write_checksum
147     P:000141 44F400     move    # $AAAAAA,x0
148         AAAAAA
148     P:000143 077084     move    x0,p:FMemStart+$5555    ; Unlock FLASH cycle 1
149         C05555
150     P:000145 44F400     move    # $555555,x0
151         555555
151     P:000147 077084     move    x0,p:FMemStart+$2AAA    ; Unlock FLASH cycle 2
152         C02AAA
153     P:000149 44F400     move    # $A0A0A0,x0
154         A0A0A0
154     P:00014B 077084     move    x0,p:FMemStart+$5555    ; Send FLASH write command
155         C05555
156     P:00014D 07608F     move    b,p:(r0)                ; Write Data to FLASH
157
158         _write_wait
159     P:00014E 07E084     move    p:(r0),x0                ; Get current FLASH value at write
location
160     P:00014F 20004D     cmp     x0,b                    ; Write Done?
161     P:000150 0527DE     bne    _write_wait              ; No
162                                     ; Yes
163         _done
164     P:000151 050C00     bra    *                        ; DONE, do a dynamic HALT
165
166
167         end    flash1

0     Errors
0     Warnings

```

5.2 128K × 24-bit Boot, Program, X and Y Data Flash

In this example, three AMD Am29F040 devices serve as a bank of 512K × 24-bit words of Flash memory divided into four areas: 128K words boot memory, 128K words program memory, 128K words X data, and 128K words Y data. See **Figure 8** for the boot memory map, **Figure 9** for the user memory map, **Figure 10** for the block diagram, and **Table 4** for the association of AA0 and AA1 with the memory spaces.

Since the Flash memory is present in the DSP program space, program control can be turned over to the program in Flash memory at boot time. This allows an embedded application to boot and run from Flash memory so that the DSP internal 1K cache can help speed repeated program functions. Also, since X and Y data space storage is available in Flash memory, program and data variables can be stored in the Flash bank for use after boot.

The DSP core runs at 80 MHz and the input frequency source is a 4.000 MHz crystal. For a 70 nS Flash, six wait states are required. This 5 V device is organized as 512K × 8-bits with a 70 nS access time. Three memory devices compose the 24-bit memory bus.

Level conversion between 3.3 V and 5 V is necessary on the 24-bit data bus to accommodate the 5 V Flash memory devices. This is accomplished using three Quality Semiconductor QS3245 QuickSwitch[®] 8-bit Bus Switches. These switches allow the connection of 3.3 V CMOS logic (the DSP data bus) on one side and 5 V TTL-compatible logic (the memory devices) on the other side, effectively providing 3.3 V to 5 V level conversion. The propagation delay is 0.25 nS, which is not significant in this design.

During DSP reset with Mode 0 selected, the DSP starts fetching instructions from external memory location P:\$C00000. Since the DSP56303 device uses only 18 address lines, A0–A17, to select external memory, address P:\$C00000 appears as P:\$000000 on the external address bus. Therefore, the Flash memory is configured to respond to all external memory requests and data aliasing occurs at every 256K boundary if no additional address decoding is provided. Since the 512K Flash requires nineteen address lines to select all of its 512K memory locations, Flash address line A18 is controlled by Address Attribute Line 1 (AA1). See the memory space selection chart in **Table 4**, the schematic in **Figure 13** and the program listed in **Example 2**. The Flash address line A17, which is controlled by Address Attribute Line 0 (AA0), selects the Flash for use during X data or Y data accesses. Using these two address attribute lines, the 512K × 24-bit Flash memory bank can be segmented into four regions of 128K × 24-bits, as shown in **Table 4**. The program listed in **Example 2** initializes the Address Attribute registers, calculates a 24-bit checksum value for each of the four 128K Flash memory spaces, and programs the checksum value of each space into the last location in each of the four 128K Flash memory spaces.

Table 4. Association of AA0 and AA1 with Memory Spaces

AA1 Flash A18	AA0 Flash A17	DSP Address Space	Address Range
0	0	Y data	Y:\$100000–\$1FFFFFF
0	1	X data	X:\$100000–\$1FFFFFF
1	0	Program	P:\$100000–\$1FFFFFF
1	1	Program Boot	P:\$C00000–\$C1FFFF (see Note)
Aliased from \$0–\$FFFFFF at every fourth 128K page boundary while AA0 and AA1 are unconfigured.			

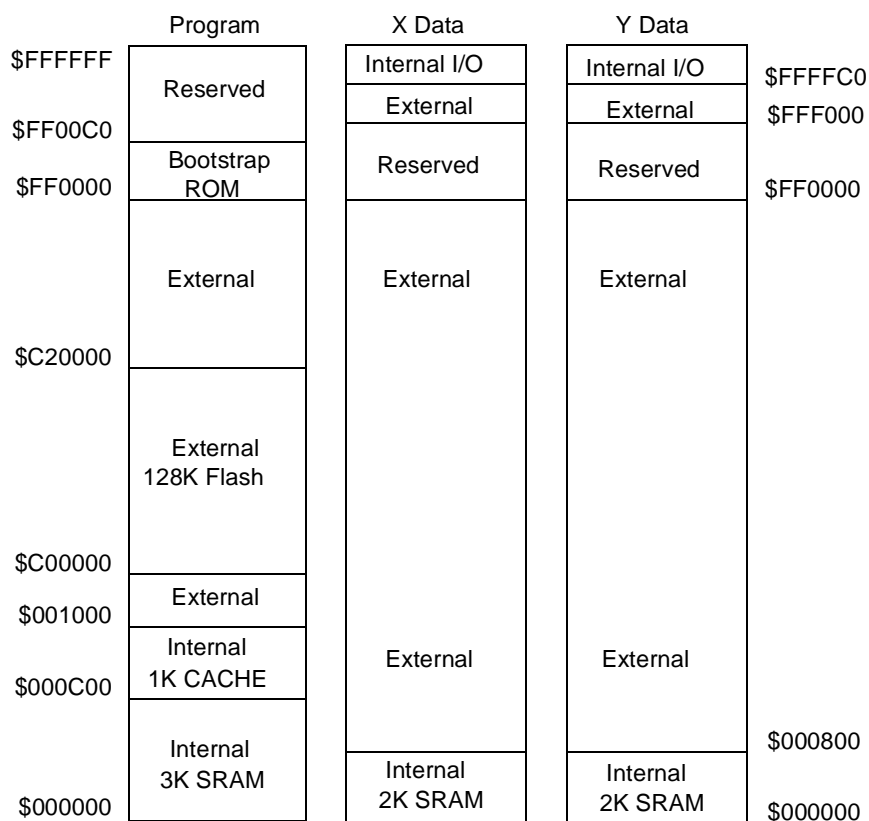


Figure 8. 128K × 24-bit Boot Flash Memory Map

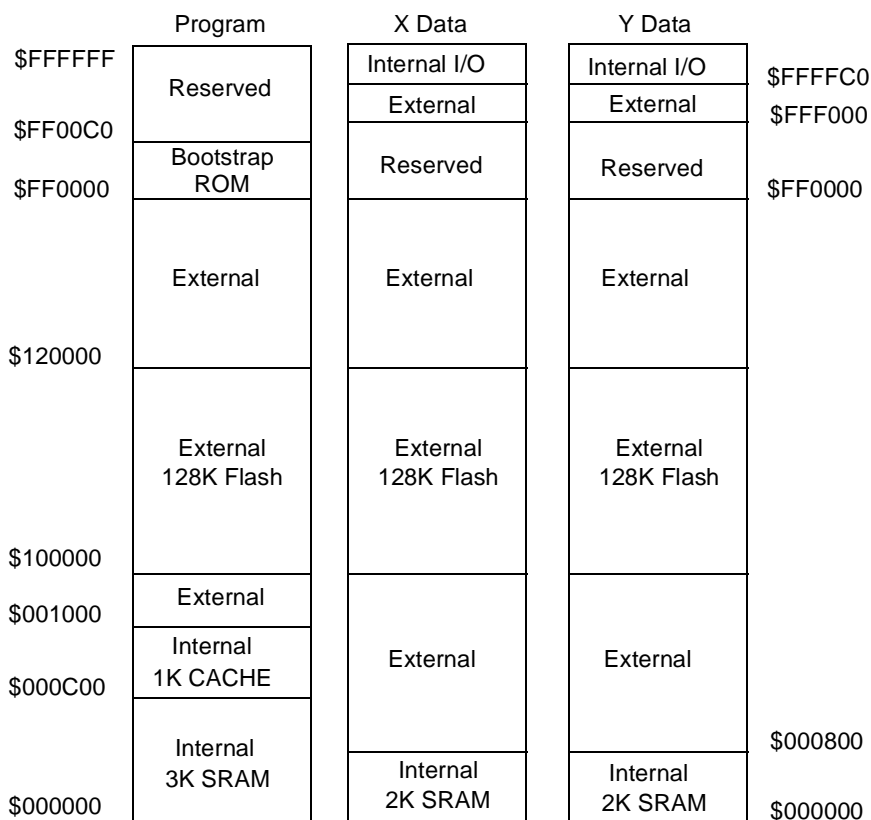


Figure 9. 128K × 24-bit Boot, Program, X Data, Y Data Flash Memory Map

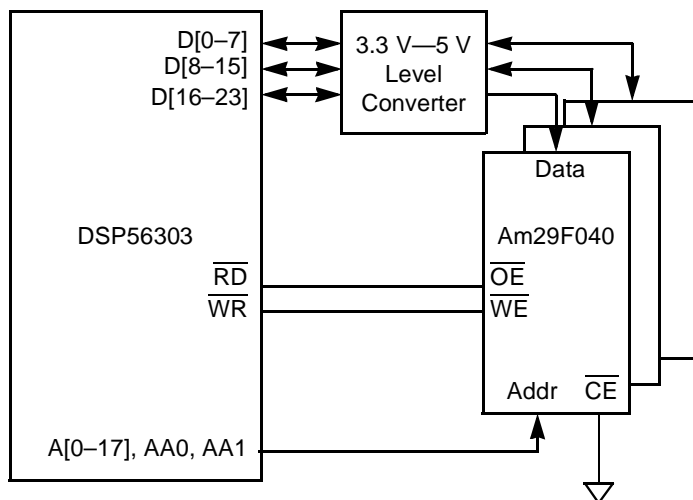


Figure 10. 128K × 24-bit Boot, Program, X Data, Y Data Flash Block Diagram

5.2.1 Flash Timing Requirements

Following are the timing requirements for the Am29F040-70 512K × 8-bit 70 nS Flash. **Table 5** shows the memory read timing specification values used in the memory read cycle timing diagram, **Figure 11**.

Table 5. Am29F040-70 Memory Read Timing Specifications

Read Cycle Parameter	Symbol	Min	Max
Read Cycle Time	t_{RC}	70 nS	—
Address to Output Delay	t_{ACC}	—	70 nS
Chip Enable to Output Delay	t_{CE}	—	70 nS
Output Enable to Output Delay	t_{OE}	—	30 nS
Output Hold Time from Address, \overline{CE} or \overline{OE} . Whichever occurs first.	t_{OH}	0 nS	—

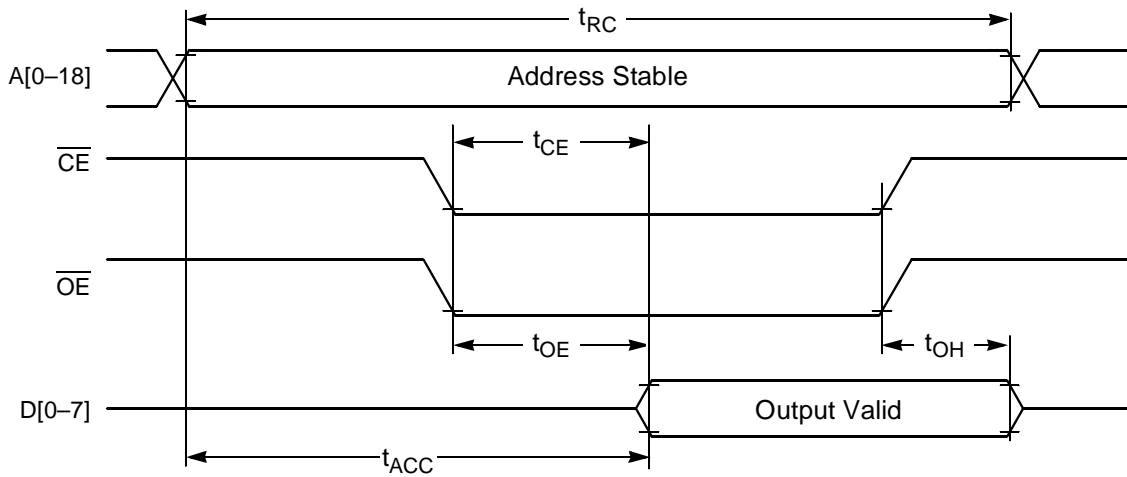


Figure 11. Am29F040 Memory Read Cycle Timing Diagram.

Table 6 shows the memory write timing specification values for the write cycle timing diagram, **Figure 12**.

Table 6. Am29F040-70 Memory Write Timing Specifications

Write Cycle Parameter	Symbol	Min	Max
Write Cycle Time	t_{WC}	70 nS	—
Address set-up Time	t_{AS}	0 nS	—
\overline{CE} set-up Time	t_{CS}	0 nS	—
Write Pulse Width	t_{WP}	30 nS	—
Data Set-up Time	t_{DS}	30 nS	—
Data Hold Time	t_{DH}	0 nS	—

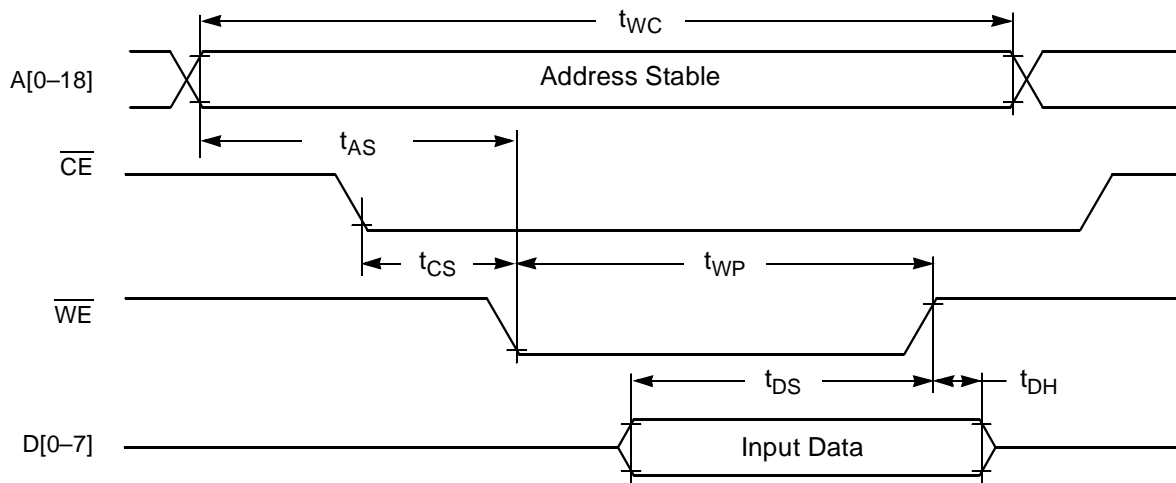


Figure 12. Am29F040 Memory Write Cycle Timing Diagram.

You can program a non-volatile memory location in the Flash memory if the location has not been written with a zero in any of the eight bits. However, if the memory location has been written, you must first erase it. The Am29F040 device is organized as eight sectors of 64 KB each, and to erase a memory location, you must erase the sector in which the memory location resides.

To write to an erased memory location, write the following data sequence to the Flash memory:

1. Write \$AAAAAA to location \$5555 relative to the Flash memory.
2. Write \$555555 to location \$2AAA relative to the Flash memory.
3. Write \$A0A0A0 to location \$5555 relative to the Flash memory.
4. Write 24-bit data to Address in the Flash memory.
5. Read Address until data read = data written.

To erase a sector, write the following data sequence to the Flash memory:

1. Write \$AAAAAA to location \$5555 relative to the Flash memory.
2. Write \$555555 to location \$2AAA relative to the Flash memory.
3. Write \$808080 to location \$5555 relative to the Flash memory.
4. Write \$AAAAAA to location \$5555 relative to the Flash memory.
5. Write \$555555 to location \$2AAA relative to the Flash memory.
6. Write \$303030 to Sector Address Location relative to the Flash memory.
7. Read location in erasing sector until data read = \$FFFFFF.

5.2.2 DSP56303 Port A Timing Requirements and Register Settings

For most efficient use of the 128K × 24-bit program, X data, and Y data space memory configuration, set the core speed of the DSP for optimum processor and memory performance using the DSP PLL and Clock Generation (PCTL) register. For this example, the DSP core runs at 80 MHz and the input frequency source is a 4.000 MHz crystal.

The PCTL register value combines the following bits for each feature:

- Desired Core Frequency = 80 MHz
- Given the External Frequency = 4.000 MHz
- Predivider value = 1, bits 20–23 = \$0.
- Low-power Divider value = 1, bits 12–14 = \$0.
- VCO Multiplication value = 20, bits 0–11 = \$013.
- Crystal less than 200 kHz, bit 15 = 0.
- Disable XTAL drive output, bit 16 = 0.
- PLL runs during STOP, bit 17 = 1.
- Enable PLL operation, bit 18 = 1.
- Disable core clock output, bit 19 = 1.

The value loaded into the PCTL is \$0E0013.

AA1 selects, via Flash memory A18, the external 128K Flash memory bank during accesses in the address range \$100000–\$11FFFF between program space requests and X data/Y data requests. Configure the memory address space requirements for Address Attribute Pin 1 with Address Attribute Register 1 (AAR1). The AAR1 value combines the following bits for each feature:

- Specify the external memory access type as asynchronous SRAM, bits 0–1 = \$1.
- Pull the AA pin high when selected, bit 2 = 1.
- Activate the AA pin during external program space accesses, bit 3 = 1.
- Activate the AA pin during external X data space accesses, bit 4 = 0.
- Activate the AA pin during external Y data space accesses, bit 5 = 0.
- Move the eight least significant bits of the address to the eight most significant bits of the external address bus, bit 6 = 0.
- Enable the internal packing/unpacking logic during external DMA accesses, bit 7 = 0.
- Specify the number of address bits to compare, bits 8–11 = \$7.
- Specify the most significant portion of the address to compare, bits 12–23 = \$100.

The value loaded into the AAR1 is \$10070D.

AA0 selects, via Flash memory A17, the external 128K Flash memory bank accesses in the address range \$100000–\$11FFFF between X data space requests and Y data space requests. Configure the memory address space requirements for the Address Attribute Pin 0 using the Address Attribute Register 0 (AAR0). The AAR0 value combines the following bits for each feature:

- Specify the external memory access type as asynchronous SRAM, bits 0–1 = \$1.
- Pull the AA pin high when selected, bit 2 = 1.
- Activate the AA pin during external program space accesses, bit 3 = 0.
- Activate the AA pin during external X data space accesses, bit 4 = 1.
- Activate the AA pin during external Y data space accesses, bit 5 = 0.

- Move the eight least significant bits of the address to the eight most significant bits of the external address bus, bit 6 = 0.
- Enable the internal packing/unpacking logic during external DMA accesses, bit 7 = 0.
- Specify the number of address bits to compare, bits 8–11 = \$7.
- Specify the most significant portion of the address to compare, bits 12–23 = \$100.

The value loaded into the AAR0 is \$100715. The value loaded into AAR2 and AAR3 is \$000000.

Select the proper number of wait states for the memory configuration using the Bus Control Register (BCR). The BCR value combines the following bits for each feature:

- Address attribute area 0 wait states, bits 0–4 = \$6.
- Address attribute area 1 wait states, bits 5–9 = \$6.
- Address attribute area 2 wait states, bits 10–12 = \$0.
- Address attribute area 3 wait states, bits 13–15 = \$0.
- Default address area wait states, bits 16–20 = \$6.
- Bus state status, bit 21 = 0.
- Enable Bus Lock Hold, bit 22 = 0.
- Enable Bus Request Hold, bit 23 = 0.

The value loaded into the BCR is \$0600C6.

Configure the operating mode and external memory controls using the Operating Mode Register (OMR). The OMR value combines the following bits for each feature:

- MA-MD bits specify the DSP operating mode, bits 0–3 = \$0.
- External Bus Disable bit disables the external bus controller for power conservation when external memory is not used, bit 4 = \$0.
- Memory Switch Mode bit reconfigures internal memory spaces, bit 7 = \$0.
- Transfer Acknowledge Synchronize Select bit selects the synchronization method for the Transfer Acknowledge (TA) pin, bit 11 = \$0.
- Bus Release Timing bit selects between a fast and slow bus release of the \overline{BB} pin, bit 12 = \$0.
- Address Attribute Priority Disable bit allows the Address Attribute pins, AA0–AA3, to be used in any combination, bit 14 = \$1.
- All other OMR bits are selected for their defaults of \$0.

The value loaded into the OMR is \$004000.

Configure the memory mode of the DSP using the Status Register (SR). The SR value combines the following bits for each feature:

- Sixteen-bit Compatibility mode enables full compatibility with object code written for the DSP56000 family of DSPs, bit 13 = \$0.
- Instruction Cache Enable bit enables the instruction cache controller and changes the last 1K of internal program memory into cache memory, bit 19 = \$1.
- All other Status Register bits are selected for their defaults of \$0.

The value loaded into the SR is \$080000, which is the value loaded during reset.

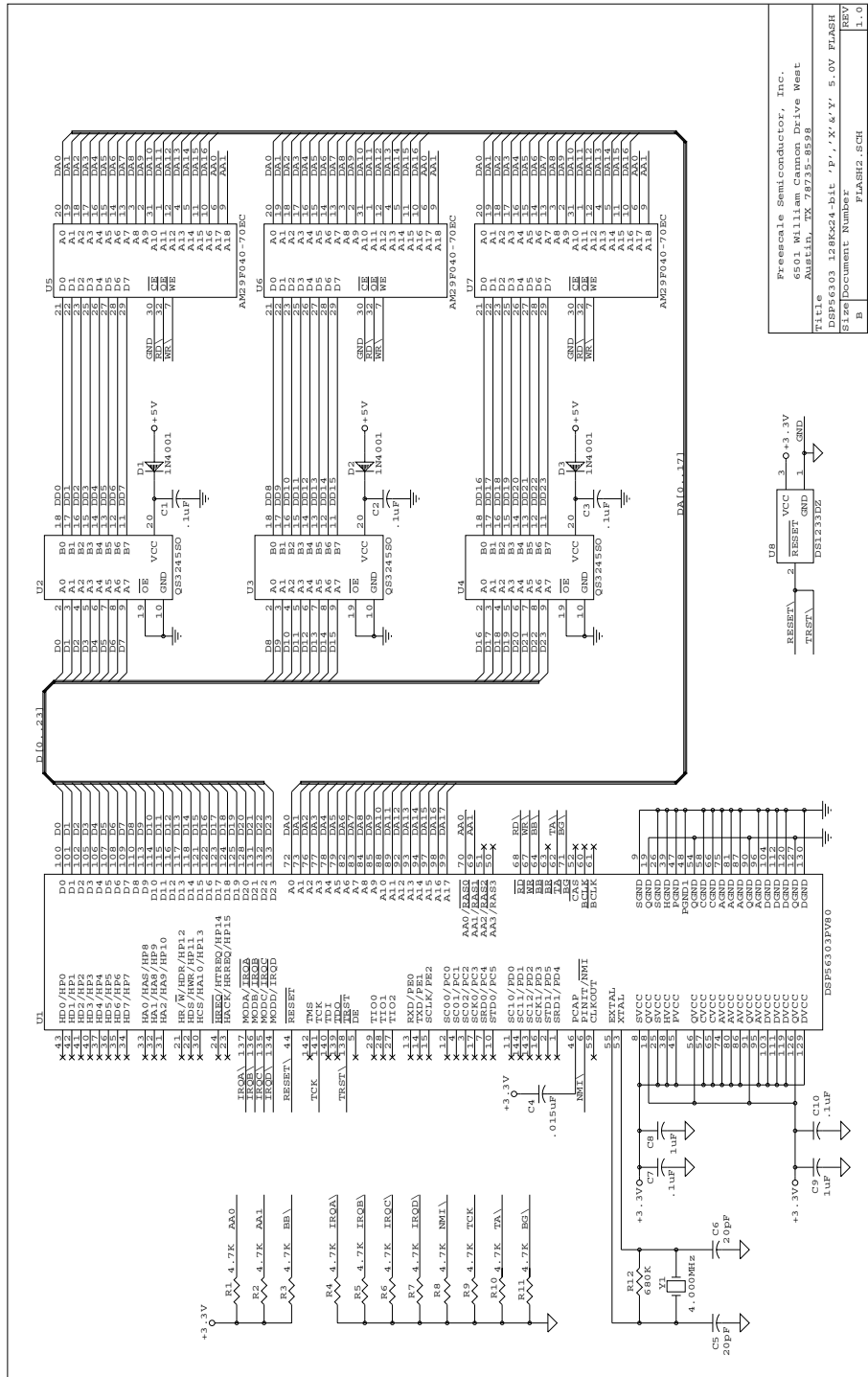


Figure 13. 128K x 24-Bit Boot, Program, X Data, Y Data Flash Schematic

Example 2. 128K x 24-bit BOOT, 'P', 'X' & 'Y' Space FLASH Memory Checksum Verify Program

Freescall DSP56300 Assembler Version 6.0.1.6 97-02-23 10:59:24 flash2.asm

```

1           page      132,60,3,3,
2           ;
3           ;      flash2.asm, Program to calculate and write a 24-bit Checksum
4           ;      for a 128K x 24-bit block of BOOT, 128K x 24-bit block
5           ;      of Program, 128K x 24-bit block of X-Data and
6           ;      a 128K x 24-bit block of Y-Data memory using a DSP56303.
7           ;
8           ;
9           ;      The program runs in Internal P:RAM to calculate checksum;
10          ;      on External BOOT:FLASH from $C00000 - $C1FFFF @ 6w/s,
11          ;      on External P:FLASH from $100000 - $11FFFF @ 6w/s,
12          ;      on External X:FLASH from $100000 - $11FFFF @ 6w/s and
13          ;      on External Y:FLASH from $100000 - $11FFFF @ 6w/s.
14          ;
15
16          C00000      BootStart      equ      $C00000
17          C80000      BootEnd        equ      $C80000
18          080000      BootSize       equ      BootEnd-BootStart ;Last Word is stored Checksum
19
20          100000      PMemStart      equ      $100000
21          180000      PMemEnd        equ      $180000
22          080000      PMemSize       equ      PMemEnd-PMemStart ;Last Word is stored Checksum
23
24          100000      XMemStart      equ      $100000
25          180000      XMemEnd        equ      $180000
26          080000      XMemSize       equ      XMemEnd-XMemStart ;Last Word is stored Checksum
27
28          100000      YMemStart      equ      $100000
29          180000      YMemEnd        equ      $180000
30          080000      YMemSize       equ      YMemEnd-YMemStart ;Last Word is stored Checksum
31
32          ;--- Program Specific Storage Locations (X DATA SPACE)
33          CKSUM_CALC_P
34          000000      equ      $000000 ;P Space Computed Checksum Value
35          CKSUM_READ_P
36          000001      equ      $000001 ;P Space Checksum in last memory
Location
37          CKSUM_CALC_X
38          000002      equ      $000002 ; X Space Computed Checksum Value
39          CKSUM_READ_X
40          000003      equ      $000003 ; X Space Checksum in last memory
Location
41          CKSUM_CALC_Y
42          000004      equ      $000004 ; Y Space Computed Checksum Value
43          CKSUM_READ_Y
44          000005      equ      $000005 ; Y Space Checksum in Last Memory
Location
45          CKSUM_CALC_B
46          000006      equ      $000006 ; BOOT Space Computed Checksum Value
47          CKSUM_READ_B
48          000007      equ      $000007 ; BOOT Space Checksum in Last Memory
Location
49
50          ;--- DSP56303 Control Registers (X I/O SPACE)
51          FFFFFB      BCR            equ      $FFFFFB ; Bus Control Register
52          FFFFFD      PCTL          equ      $FFFFFD ; PLL Control Register
53          FFFF9       AAR0          equ      $FFF9 ; Address Attribute Register 0

```

```

54      FFFFF8      AAR1      equ      $FFFFFF8 ; Address Attribute Register 1
55
56      ;--- PCTL value = 0x0E0013
57      000000      prediv     equ      0          ; Pre-Divider = 1
58      000000      lowdiv     equ      0          ; Low Power Divider = 1
59      000013      pllmul    equ      19         ; VCO Mult = 20;
(19+1)*4.00MHz=80.00MHz
60      000000      crystal   equ      0          ; No, Crystal not less than 200kHz
61      000000      disXTAL  equ      0          ; No, do not disable crystal use
62      020000      pllstop   equ      $020000   ; Yes, PLL runs during STOP
63      040000      enpll     equ      $040000   ; Yes, enable PLL operation
64      080000      disclk    equ      $080000   ; Yes, disable CORE clock output
65      0E0013      PCTL_value equ
prediv+lowdiv+pllmul+crystal+disXTAL+pllstop+enpll+disclk
66
67      ;--- AAR1 value = 0x10070D
68      000001      acctype1  equ      1          ; External Memory access type = 0x1
69      000001      aahigh1   equ      1          ; Enable AA1 pin high when selected
70      000008      aap1      equ      $8         ; Yes, Enable AA1 pin on ext P access
71      000000      aax1      equ      0          ; No, Enable AA1 pin on ext X access
72      000000      aay1      equ      0          ; No, Enable AA1 pin on ext Y access
73      000000      aswap1    equ      0          ; No, Enable address bus swap
74      000000      enpack1   equ      0          ; No, Enable packing/unpacking logic
75      000700      nadd1     equ      $000700   ; Compare 7 address bits
76      100000      msadd1    equ      $100000   ; Most significant part of address,
77                                     ; $100000 - 11ffff, to compare.
78                                     ; (0001,000x,xxxx,xxxx,xxxx,xxxx)
79      10070A      AAR1_value equ
acctype1+aahigh1+aap1+aax1+aay1+aswap1+enpack1+nadd1+msadd1
80
81                                     ;--- AAR0 value = 0x100715
82      000001      acctype   equ      1          ; External Memory access type = 0x1
83      000004      aahigh    equ      $4         ; Enable AA0 pin High when selected
84      000000      aap       equ      0          ; No, Enable AA0 pin on ext P access
85      000010      aax       equ      $10        ; Yes, Enable AA0 pin on ext X access
86      000000      aay       equ      0          ; No, Enable AA0 pin on ext Y access
87      000000      aswap     equ      0          ; No, Enable address bus swap
88      000000      enpack    equ      0          ; No, Enable packing/unpacking logic
89      000700      nadd      equ      $000700   ; Compare 7 address bits
90      100000      msadd     equ      $100000   ; Most significant part of address,
91                                     ; $100000 - 11ffff, to compare.
92                                     ; (0001,000x,xxxx,xxxx,xxxx,xxxx)
93      100715      AAR0_value equ
acctype+aahigh+aap+aax+aay+aswap+enpack+nadd+msadd
94
95      ;--- BCR value = 0x0600C6
96      000006      aaa0ws    equ      $6         ; Address Attribute Area 0 w/s = 6
97      0000C0      aaa1ws    equ      $C0        ; Address Attribute Area 1 w/s = 6
98      000000      aaa2ws    equ      0          ; Address Attribute Area 2 w/s = 0
99      000000      aaa3ws    equ      0          ; Address Attribute Area 3 w/s = 0
100     060000      defws     equ      $060000   ; Default Address Area w/s = 6
101     000000      busss     equ      0          ; Bus state status = 0
102     000000      enblh     equ      0          ; Enable Bus Lock Hold = 0
103     000000      enbrh     equ      0          ; Enable Bus Request Hold = 0
104     0600C6      BCR_value equ
aaa0ws+aaa1ws+aaa2ws+aaa3ws+defws+busss+enblh+enbrh
105
106     ;-----
107     P:000100      org      p:$100      ;Keep program in internal RAM
108

```

```

109         flash2
110
111         ;----- Initialization Section -----
112 P:000100 08F4BD    movep    #PCTL_value,x:PCTL ; Set PLL Control Register
           0E0013
113 P:000102 05F43A    movec    #$004000,OMR      ; Disable Address Attribute
Priority
           004000
114 P:000104 05F439    movec    #$080000,SR      ; Enable 1K Cache
           080000
115 P:000106 08F4BB    movep    #BCR_value,x:BCR ; Set external wait states
           0600C6
116
117         ;-----
118         ;-----
119         do_b_checksum
120 P:000108 08F4B9    movep    #>$0,x:AAR0     ; Clear Address Attribute Reg0
           000000
121 P:00010A 08F4B8    movep    #>$0,x:AAR1     ; Clear Address Attribute Reg1
           000000
122
123 P:00010C 05F420    move     #-1,m0          ; Set LINEAR addressing mode
           FFFFFFFF
124 P:00010E 60F400    move     #BootStart,r0   ; Set Starting Address of
BOOT:FLASH
           C00000
125 P:000110 70F400    move     #BootSize,n0    ; Set to Size of BOOT:Flash
           080000
126
127 P:000112 200013    clr     a
128 P:000113 20001B    clr     b
129 P:000114 560600    move    a,x:CKSUM_CALC_B ; Initialize computed checksum
-> $000000
130 P:000115 560700    move    a,x:CKSUM_READ_B ; Initialize read checksum ->
$000000
131
132         ;----- Compute the 24-bit BOOT: Space Checksum -----
133 P:000116 06D810    dor     n0,b_loop        ;
           000003
134 P:000118 07D88E    move    p:(r0)+,a       ; Get BOOT:FLASH location Value
135 P:000119 200018    add    a,b              ; Compute checksum
136         b_loop
137
138 P:00011A 07E08E    move    p:(r0),a        ;Get Checksum from BOOT:FLASH
139 P:00011B 570600    move    b,x:CKSUM_CALC_B ;Save Computed Checksum value
140 P:00011C 20001B    clr    b                ;Clear b0, b1 and b2
141 P:00011D 560700    move    a,x:CKSUM_READ_B ;Save the Read Checksum value
142 P:00011E 578600    move    x:CKSUM_CALC_B,b ;Put Calculated Checksum in b1
143 P:00011F 20000D    cmp    a,b              ; Old Checksum = New Checksum?
144 P:000120 0D104A    beq    b_done           ; Yes
           000035
145         ; No
146         ;----- See if Checksum Location is Erased -----
147 P:000122 44F400    move    #$FFFFFF,x0     ; FLASH erased value
           FFFFFFFF
148 P:000124 200045    cmp    x0,a             ; Contents of checksum location =
Erased?
149 P:000125 0D104A    beq    b_write_checksum; Yes, write new checksum to Flash
           000020
150         ; No

```

```

151 ;-----
152 ;           N O T E
153 ;-----
154 ; If at least 64Kx24-bit words of external RAM is available in the system
155 ; then; 1)  the last sector of the FLASH can be read into external RAM
156 ;         2)  the last sector of the FLASH can be erased,
157 ;         3)  and the last sector of data along with the new checksum
158 ;             can be written back into the FLASH.
159 ; otherwise; 1)  erase the last sector of the FLASH,
160 ;             2)  and write the checksum to the FLASH.
161 ;-----
162 ;-- Copy the last sector of FLASH into external RAM (if RAM available) --
163 ;-----
164
165 ;----- Erase last sector of FLASH -----
166 P:000127 44F400  move  #AAAAAA,x0
167         AAAAAA
168 P:000129 4C7000  move  x0,y:BootStart+$5555  ; Unlock BOOT:FLASH cycle 1
169         C05555
170
171 P:00012B 44F400  move  #$555555,x0
172         555555
173 P:00012D 4C7000  move  x0,y:BootStart+$2AAA  ; Unlock BOOT:FLASH cycle 2
174         C02AAA
175
176 P:00012F 44F400  move  #$808080,x0
177         808080
178 P:000131 4C7000  move  x0,y:BootStart+$5555  ; Send set-up command
179         C05555
180
181 P:000133 44F400  move  #AAAAAA,x0
182         AAAAAA
183 P:000135 4C7000  move  x0,y:BootStart+$5555  ; Unlock BOOT:FLASH cycle 1
184         C05555
185
186 P:000137 44F400  move  #$555555,x0
187         555555
188 P:000139 4C7000  move  x0,y:BootStart+$2AAA  ; Unlock BOOT:FLASH cycle 2
189         C02AAA
190
191 P:00013B 44F400  move  #$303030,x0
192         303030
193 P:00013D 077084  move  x0,p:BootEnd-$800    ; Send sector erase command
194         C7F800
195
196                                     ; and select sector to erase
197 P:00013F 44F400  move  #FFFFFF,x0
198         FFFFFFFF
199
200         b_wait_til_erased
201 P:000141 07F08E  move  p:BootEnd-$800,a; Get current value of location in
last sector      C7F800
202
203 P:000143 200045  cmp    x0,a                ; Fully Erased?
204 P:000144 0527DD  bne   b_wait_til_erased   ; No
205                                     ; Yes
206
207 ;----- Write Data Buffer Back to FLASH (if RAM available) ----
208
209 ;----- Write BOOT:FLASH Routine -----
210 ; b = contains data to be written to FLASH.
211 ; r0 = points to location in FLASH to be written.

```

```

196             b_write_checksum
197 P:000145 44F400     move    # $AAAAAA,x0
             AAAAAA
198 P:000147 4C7000     move    x0,y:BootStart+$5555    ; Unlock BOOT:FLASH cycle 1
             C05555
199
200 P:000149 44F400     move    # $555555,x0
             555555
201 P:00014B 4C7000     move    x0,y:BootStart+$2AAA    ; Unlock BOOT:FLASH cycle 2
             C02AAA
202
203 P:00014D 44F400     move    # $A0A0A0,x0
             A0A0A0
204 P:00014F 4C7000     move    x0,y:BootStart+$5555    ; Send FLASH write command
             C05555
205
206 P:000151 07608F     move    b,p:(r0)                ; Send data to write to BOOT:FLASH
207
208             b_write_wait
209 P:000152 07E084     move    p:(r0),x0 ; Get BOOT:FLASH value at write location
210 P:000153 20004D     cmp     x0,b                    ; Write Done?
211 P:000154 0527DE     bne    b_write_wait           ; No
212                                     ; Yes
213             b_done
214             ;-----
215             ;-----
216             do_p_checksum
217 P:000155 08F4B9     movep   #AAR0_value,x:AAR0 ; Set Address Attribute Reg0
             100715
218 P:000157 08F4B8     movep   #AAR1_value,x:AAR1 ; Set Address Attribute Reg1
             10070A
219
220 P:000159 05F420     move    #-1,m0                 ; Set LINEAR addressing mode
             FFFFFFFF
221 P:00015B 60F400     move    #PMemStart,r0         ; Set Starting Address of P:FLASH
             100000
222 P:00015D 70F400     move    #PMemSize,n0          ; Set to Size of P:Flash
             080000
223
224 P:00015F 200013     clr     a
225 P:000160 20001B     clr     b
226 P:000161 560000     move    a,x:CKSUM_CALC_P ; Initialize computed checksum ->
$000000
227 P:000162 560100     move    a,x:CKSUM_READ_P ; Initialize read checksum ->
$000000
228
229             ;----- Compute the 24-bit P: Space Checksum -----
230 P:000163 06D810     dor     n0,p_loop
             000003
231 P:000165 07D88E     move    p:(r0)+,a             ; Get the P:FLASH location Value
232 P:000166 200018     add     a,b                    ; Compute checksum
             p_loop
233
234
235 P:000167 07E08E     move    p:(r0),a             ; Get Checksum from P:FLASH
236 P:000168 570000     move    b,x:CKSUM_CALC_P ; Save the Computed Checksum value
237 P:000169 20001B     clr     b                    ; Clear b0, b1 and b2
238 P:00016A 560100     move    a,x:CKSUM_READ_P ; Save the Read Checksum value
239 P:00016B 578000     move    x:CKSUM_CALC_P,b ; Put Calculated Checksum value in b1
240 P:00016C 20000D     cmp     a,b                    ; Old Checksum = New Checksum?
241 P:00016D 0D104A     beq    p_done                 ; Yes

```

```

                000035
242                                     ; No
243                                     ;----- See if Checksum Location is Erased -----
244 P:00016F 44F400      move   #$FFFFFF,x0   ; FLASH erased value
                FFFFFFFF
245 P:000171 200045      cmp    x0,a           ; Contents of checksum location =
Erased?
246 P:000172 0D104A      beq    p_write_checksum; Yes, write new checksum value to
FLASH
                000020
247                                     ; No
248                                     ;-----
249                                     ;               N O T E
250                                     ;-----
251                                     ; If at least 64Kx24-bit words of external RAM is available in the system
252                                     ; then; 1)  the last sector of the FLASH can be read into external RAM
253                                     ;       2)  the last sector of the FLASH can be erased,
254                                     ;       3)  and the last sector of data along with the new checksum
255                                     ;           can be written back into the FLASH.
256                                     ; otherwise; 1)  erase the last sector of the FLASH,
257                                     ;           2)  and write the checksum to the FLASH.
258                                     ;-----
259                                     ;-- Copy the last sector of FLASH into external RAM (if RAM available) --
260                                     ;-----
261
262                                     ;----- Erase last sector of FLASH -----
263 P:000174 44F400      move   #$AAAAAA,x0
                AAAAAA
264 P:000176 4C7000      move   x0,y:PMemStart+$5555   ; Unlock P:FLASH cycle 1
                105555
265
266 P:000178 44F400      move   #$555555,x0
                555555
267 P:00017A 4C7000      move   x0,y:PMemStart+$2AAA   ; Unlock P:FLASH cycle 2
                102AAA
268
269 P:00017C 44F400      move   #$808080,x0
                808080
270 P:00017E 4C7000      move   x0,y:PMemStart+$5555   ; Send set-up command
                105555
271
272 P:000180 44F400      move   #$AAAAAA,x0
                AAAAAA
273 P:000182 4C7000      move   x0,y:PMemStart+$5555   ; Unlock P:FLASH cycle 1
                105555
274
275 P:000184 44F400      move   #$555555,x0
                555555
276 P:000186 4C7000      move   x0,y:PMemStart+$2AAA   ; Unlock P:FLASH cycle 2
                102AAA
277
278 P:000188 44F400      move   #$303030,x0
                303030
279 P:00018A 077084      move   x0,p:PMemEnd-$800     ; Send sector erase command
                17F800
280                                     ; and select sector to erase
281 P:00018C 44F400      move   #$FFFFFF,x0
                FFFFFFFF
282                                     p_wait_til_erased

```



```

283   P:00018E 07F08E      move   p:PMemEnd-$800,a ; Get value of location in last
sector
                17F800
284   P:000190 200045      cmp    x0,a              ; Fully Erased?
285   P:000191 0527DD      bne   p_wait_til_erased ; No
286                                     ; Yes
287
288                                     ;----- Write Data Buffer Back to FLASH (if RAM available) ----
289
290                                     ;----- Write P:FLASH Routine -----
291                                     ; b = contains data to be written to FLASH.
292                                     ; r0 = points to location in FLASH to be written.
293   p_write_checksum
294   P:000192 44F400      move   #$AAAAAA,x0
                AAAAAA
295   P:000194 4C7000      move   x0,y:PMemStart+$5555 ; Unlock P:FLASH cycle 1
                105555
296
297   P:000196 44F400      move   #$555555,x0
                555555
298   P:000198 4C7000      move   x0,y:PMemStart+$2AAA ; Unlock P:FLASH cycle 2
                102AAA
299
300   P:00019A 44F400      move   #$A0A0A0,x0
                A0A0A0
301   P:00019C 4C7000      move   x0,y:PMemStart+$5555 ; Send FLASH write command
                105555
302
303   P:00019E 07608F      move   b,p:(r0)         ; Send data to write to
P:FLASH
304
305   p_write_wait
306   P:00019F 07E084      move   p:(r0),x0       ; Get current P:FLASH value at write
location
307   P:0001A0 20004D      cmp    x0,b              ; Write Done?
308   P:0001A1 0527DE      bne   p_write_wait     ; No
309                                     ; Yes
310   p_done
311
;*****
312
;*****
313   do_x_checksum
314   P:0001A2 05F420      move   #-1,m0          ; Set LINEAR addressing mode
                FFFFFFFF
315   P:0001A4 60F400      move   #XMemStart,r0   ; Set Starting Address of X:FLASH
                100000
316   P:0001A6 70F400      move   #XMemSize,n0    ; Set to Size of X:Flash
                080000
317
318   P:0001A8 200013      clr   a
319   P:0001A9 20001B      clr   b
320   P:0001AA 560200      move   a,x:CKSUM_CALC_X ; Initialize computed checksum ->
$000000
321   P:0001AB 560300      move   a,x:CKSUM_READ_X ; Initialize read checksum ->
$000000
322
323                                     ;----- Compute the 24-bit X: Space Checksum -----
324   P:0001AC 06D810      dor   n0,x_loop
                000003

```

```

325 P:0001AE 56D800 move x:(r0)+,a ; Get the X:FLASH location Value
326 P:0001AF 200018 add a,b ; Compute checksum
327 x_loop
328
329 P:0001B0 56E000 move x:(r0),a ; Get Checksum from X:FLASH
330 P:0001B1 570200 move b,x:CKSUM_CALC_X ; Save the Computed Checksum value
331 P:0001B2 20001B clr b ; Clear b0, b1 and b2
332 P:0001B3 560300 move a,x:CKSUM_READ_X ; Save the Read Checksum value
333 P:0001B4 578200 move x:CKSUM_CALC_X,b ; Put Calculated Checksum value in b1
334 P:0001B5 20000D cmp a,b ; Old Checksum = New Checksum?
335 P:0001B6 0D104A beq x_done ; Yes
000035
336 ; No
337 ;----- See if Checksum Location is Erased -----
338 P:0001B8 44F400 move #FFFFFF,x0 ; FLASH erased value
FFFFFF
339 P:0001BA 200045 cmp x0,a ; Contents of checksum location =
Erased?
340 P:0001BB 0D104A beq x_write_checksum ; Yes, Go write new checksum value to
FLASH
000020
341 ; No
342 ;-----
343 ; N O T E
344 ;-----
345 ; If there is at least 64Kx24-bit words of external RAM
346 ; then 1) last sector of the FLASH can be read into external RAM
347 ; 2) the last sector of the FLASH can be erased,
348 ; 3) and the last sector of data along with the new checksum
349 ; can be written back into the FLASH.
350 ; otherwise; 1) erase the last sector of the FLASH,
351 ; 2) and write the checksum to the FLASH.
352 ;-----
353 ;-- Copy last sector of FLASH into external RAM (if available) ----
354 ;-----
355
356 ;----- Erase last sector of FLASH -----
357 P:0001BD 44F400 move #AAAAAA,x0
AAAAAA
358 P:0001BF 4C7000 move x0,y:XMemStart+$5555; Unlock X:FLASH cycle 1
105555
359
360 P:0001C1 44F400 move #555555,x0
555555
361 P:0001C3 4C7000 move x0,y:XMemStart+$2AAA; Unlock X:FLASH cycle 2
102AAA
362
363 P:0001C5 44F400 move #808080,x0
808080
364 P:0001C7 4C7000 move x0,y:XMemStart+$5555 ; Send set-up command
105555
365
366 P:0001C9 44F400 move #AAAAAA,x0
AAAAAA
367 P:0001CB 4C7000 move x0,y:XMemStart+$5555; Unlock X:FLASH cycle 1
105555
368
369 P:0001CD 44F400 move #555555,x0
555555
370 P:0001CF 4C7000 move x0,y:XMemStart+$2AAA; Unlock X:FLASH cycle 2

```

```

102AAA
371
372 P:0001D1 44F400      move   #303030,x0
      303030
373 P:0001D3 447000      move   x0,x:XMemEnd-$800 ; Send sector erase command
      17F800
374                                     ; and select sector to erase
375 P:0001D5 44F400      move   #FFFFFF,x0
      FFFFFFF
376      x_wait_til_erased
377 P:0001D7 56F000      move   x:XMemEnd-$800,a ; Get value of location in last
sector
      17F800
378 P:0001D9 200045      cmp    x0,a                ; Fully Erased?
379 P:0001DA 0527DD      bne   x_wait_til_erased   ; No
380                                     ; Yes
381
382                                     ;----- Write Data Buffer Back to FLASH (if RAM available) ----
383
384                                     ;----- Write X:FLASH Routine -----
385                                     ; b = contains data to be written to FLASH.
386                                     ; r0 = points to location in FLASH to be written.
387      x_write_checksum
388 P:0001DB 44F400      move   #AAAAAA,x0
      AAAAAA
389 P:0001DD 4C7000      move   x0,y:XMemStart+$5555; Unlock X:FLASH cycle 1
      105555
390
391 P:0001DF 44F400      move   #555555,x0
      555555
392 P:0001E1 4C7000      move   x0,y:XMemStart+$2AAA; Unlock X:FLASH cycle 2
      102AAA
393
394 P:0001E3 44F400      move   #A0A0A0,x0
      A0A0A0
395 P:0001E5 4C7000      move   x0,y:XMemStart+$5555; Send FLASH write command
      105555
396
397 P:0001E7 576000      move   b,x:(r0)           ; Send data to write to X:FLASH
398
399      x_write_wait
400 P:0001E8 44E000      move   x:(r0),x0         ; Get X:FLASH value at write location
401 P:0001E9 20004D      cmp    x0,b                ; Write Done?
402 P:0001EA 0527DE      bne   x_write_wait       ; No
403                                     ; Yes
404      x_done
405      ;*****
406      ;*****
407      do_y_checksum
408 P:0001EB 05F420      move   #-1,m0            ; Set LINEAR addressing mode
      FFFFFFF
409 P:0001ED 60F400      move   #YMemStart,r0     ; Set Starting Address of Y:FLASH
      100000
410 P:0001EF 70F400      move   #YMemSize,n0      ; Set to Size of Y:Flash
      080000
411
412 P:0001F1 200013      clr   a
413 P:0001F2 20001B      clr   b
414 P:0001F3 560400      move   a,x:CKSUM_CALC_Y ; Initialize computed checksum ->
$000000

```

```

415 P:0001F4 560500      move   a,x:CKSUM_READ_Y ; Initialize read checksum ->
$000000
416
417           ;----- Compute the 24-bit Y: Space Checksum -----
418 P:0001F5 06D810      dor    n0,y_loop
           000003
419 P:0001F7 5ED800      move   y:(r0)+,a        ;Get Y:FLASH location value
420 P:0001F8 200018      add    a,b              ; Compute checksum
421           y_loop
422
423 P:0001F9 5EE000      move   y:(r0),a        ; Get Checksum from Y:FLASH
424 P:0001FA 570400      move   b,x:CKSUM_CALC_Y ;Save computed checksum
425 P:0001FB 20001B      clr    b                ;Clear b0, b1 and b2
426 P:0001FC 560500      move   a,x:CKSUM_READ_Y ;Save Read Checksum value
427 P:0001FD 578400      move   x:CKSUM_CALC_Y,b ;Put calculated checksum value in b1
428 P:0001FE 20000D      cmp    a,b              ;Old Checksum=New Checksum?
429 P:0001FF 0D104A      beq    y_done          ; Yes
           000035
430           ; No
431           ;----- See if Checksum Location is Erased -----
432 P:000201 44F400      move   #$FFFFFF,x0    ; FLASH erased value
           FFFFFFFF
433 P:000203 200045      cmp    x0,a            ; Contents of checksum location =
Erased?
434 P:000204 0D104A      beq    y_write_checksum; Yes, Go write new checksum value to
FLASH
           000020
435           ; No
436           ;-----
437           ; N O T E
438           ;-----
439           ; If there is at least 64Kx24-bit words of external RAM
440           ; then 1) last sector of FLASH can be read into RAM
441           ;      2) the last sector of the FLASH can be erased,
442           ;      3) and last sector of data with new checksum
443           ;      can be written back into the FLASH.
444           ; otherwise; 1) erase the last sector of the FLASH,
445           ;      2) and write the checksum to the FLASH.
446           ;-----
447           ;-- Copy last sector of FLASH into external RAM (if RAM available)
448           ;-----
449
450           ;----- Erase last sector of FLASH -----
451 P:000206 44F400      move   #$AAAAAA,x0
           AAAAAA
452 P:000208 4C7000      move   x0,y:YMemStart+$5555; Unlock Y:FLASH cycle 1
           105555
453
454 P:00020A 44F400      move   #$555555,x0
           555555
455 P:00020C 4C7000      move   x0,y:YMemStart+$2AAA; Unlock Y:FLASH cycle 2
           102AAA
456
457 P:00020E 44F400      move   #$808080,x0
           808080
458 P:000210 4C7000      move   x0,y:YMemStart+$5555; Send set-up command
           105555
459
460 P:000212 44F400      move   #$AAAAAA,x0
           AAAAAA

```

```

461 P:000214 4C7000      move    x0,y:YMemStart+$5555; Unlock Y:FLASH cycle 1
      105555
462
463 P:000216 44F400      move    #555555,x0
      555555
464 P:000218 4C7000      move    x0,y:YMemStart+$2AAA; Unlock Y:FLASH cycle 2
      102AAA
465
466 P:00021A 44F400      move    #303030,x0
      303030
467 P:00021C 4C7000      move    x0,y:YMemEnd-$800; Send sector erase command
      17F800
468                                     ; and select sector to erase
469 P:00021E 44F400      move    #FFFFFF,x0
      FFFFFFFF
470                                     y_wait_til_erased
471 P:000220 5EF000      move    y:YMemEnd-$800,a; Get value of location in last sector
      17F800
472 P:000222 200045      cmp     x0,a                                     ; Fully Erased?
473 P:000223 0527DD      bne    y_wait_til_erased                       ; No
474                                     ; Yes
475
476                                     ;----- Write Data Buffer Back to FLASH (if RAM available) ----
477
478                                     ;----- Write Y:FLASH Routine -----
479                                     ; b = contains data to be written to FLASH.
480                                     ; r0 = points to location in FLASH to be written.
481                                     y_write_checksum
482 P:000224 44F400      move    #AAAAAA,x0
      AAAAAA
483 P:000226 4C7000      move    x0,y:YMemStart+$5555; Unlock Y:FLASH cycle 1
      105555
484
485 P:000228 44F400      move    #555555,x0
      555555
486 P:00022A 4C7000      move    x0,y:YMemStart+$2AAA; Unlock Y:FLASH cycle 2
      102AAA
487
488 P:00022C 44F400      move    #A0A0A0,x0
      A0A0A0
489 P:00022E 4C7000      move    x0,y:YMemStart+$5555;Send FLASH write command
      105555
490
491 P:000230 5F6000      move    b,y:(r0)                               ; Send data to write to Y:FLASH
492
493                                     y_write_wait
494 P:000231 4CE000      move    y:(r0),x0                               ; Get Y:FLASH value at write location
495 P:000232 20004D      cmp     x0,b                                     ; Write Done?
496 P:000233 0527DE      bne    y_write_wait                             ; No
497                                     ; Yes
498                                     y_done
499
;*****
500
501 P:000234 050C00      bra     *                                       ; Done, Do dynamic Halt
502
503                                     end     flash2

0 Errors
0 Warnings

```

5.3 128K × 16-Bit X Data and Y Data Flash Example

The 128K × 16-bit X data and 128K × 16-bit Y data memory space Flash implementation uses the AMD Am29F400-150 device. See **Figure 14** for the memory map layout and **Figure 15** for the block diagram. Sixteen-bit coefficient and data arrays are stored externally in non-volatile storage, allowing results from previous operations to be stored before power is removed and to be recalled on power up.

The DSP core runs at 80 MHz and the input frequency source is a 4.000 MHz crystal. For a 150 nS Flash memory, twelve wait states are required. This 5 V device is organized as 256K × 16-bit words with a 150 nS access time. One memory device is used to achieve the 16-bit memory bus.

Level conversion to and from 3.3 V and 5 V is necessary on the 16-bit data bus to accommodate the 5 V Flash memory devices. This is accomplished using two Quality Semiconductor QS3245 QuickSwitch[®] 8-bit Bus Switches. These switches allow the connection of 3.3 V CMOS logic, DSP data bus, on one side and 5 V TTL-compatible logic, memory devices, on the other side, effectively providing a 3.3 V-to-5 V level conversion. The 0.25 nS propagation delay is not significant. **Figure 18** shows the schematic for this example.

Address Attribute Line 1 is configured to select the Flash memory device when an X data or Y data access is requested in the address range \$100000–\$11FFFF. AA0 is configured to select the 256K Flash memory bank between 128K of X data space and 128K of Y data space. The Address Attribute implementation details are presented in **Section 5.3.2, DSP56303 Port A Timing Requirements and Register Settings**, on page 41 and in the program listing in **Example 3** on page 44.

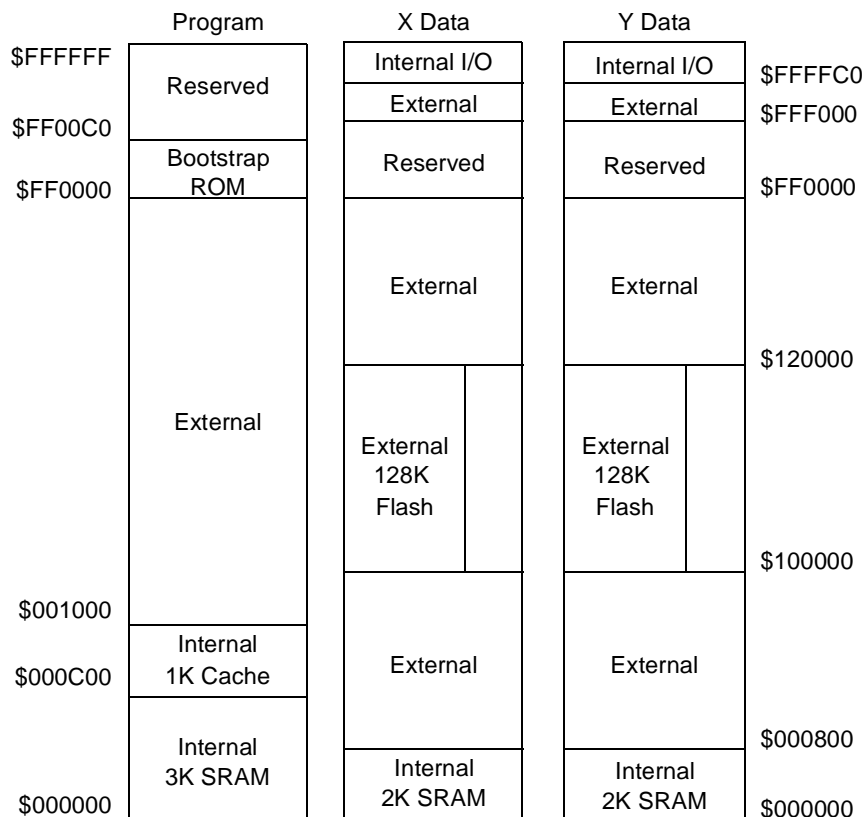


Figure 14. 128K × 16 X Data and Y Data Memory Map

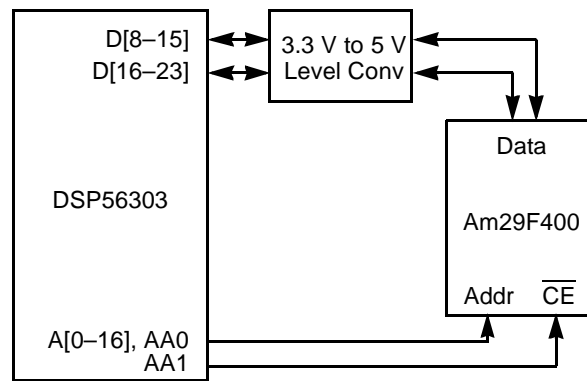


Figure 15. 128K × 16-Bit X Data and Y Data Flash memory Block Diagram

5.3.1 Flash Memory Timing Requirements

Following are the timing requirements for the Am29F400-150 256K × 16-bit 150nS Flash memory. **Table 7** shows the memory read timing specification values used in the memory read cycle timing diagram, **Figure 16**.

Table 7. Am29F400-150 Memory Read Timing Specifications

Read Cycle Parameter	Symbol	Min	Max
Read Cycle Time	t_{RC}	150 nS	—
Address to Output Delay	t_{ACC}	—	150 nS
Chip Enable to Output Delay	t_{CE}	—	150 nS
Output Enable to Output Delay	t_{OE}	—	55 nS
Output Hold Time from Address, \overline{CE} or \overline{OE} . Whichever occurs first.	t_{OH}	0 nS	—

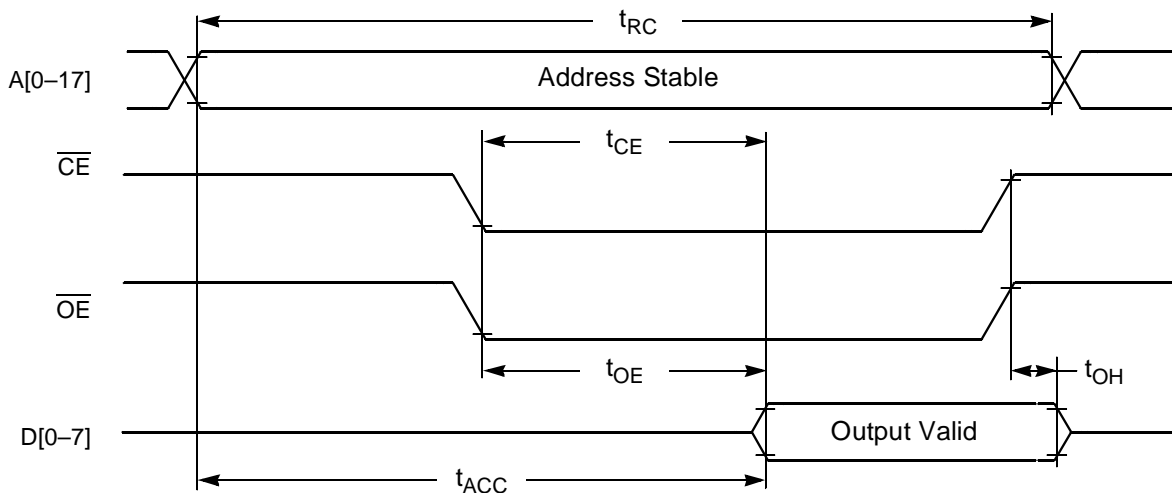


Figure 16. Am29F400 Memory Read Cycle Timing Diagram

Table 8 shows the memory write timing specification values used in the memory write cycle timing diagram, **Figure 17**.

Table 8. AM29F400 Memory Write Cycle Timing Diagram

Write Cycle Parameter	Symbol	Min	Max
Write Cycle Time	t_{WC}	150 nS	—
Address set-up Time	t_{AS}	0 nS	—
\overline{CE} set-up Time	t_{CS}	0 nS	—
Write Pulse Width	t_{WP}	50 nS	—
Data set-up Time	t_{DS}	50 nS	—
Data Hold Time	t_{DH}	0 nS	—

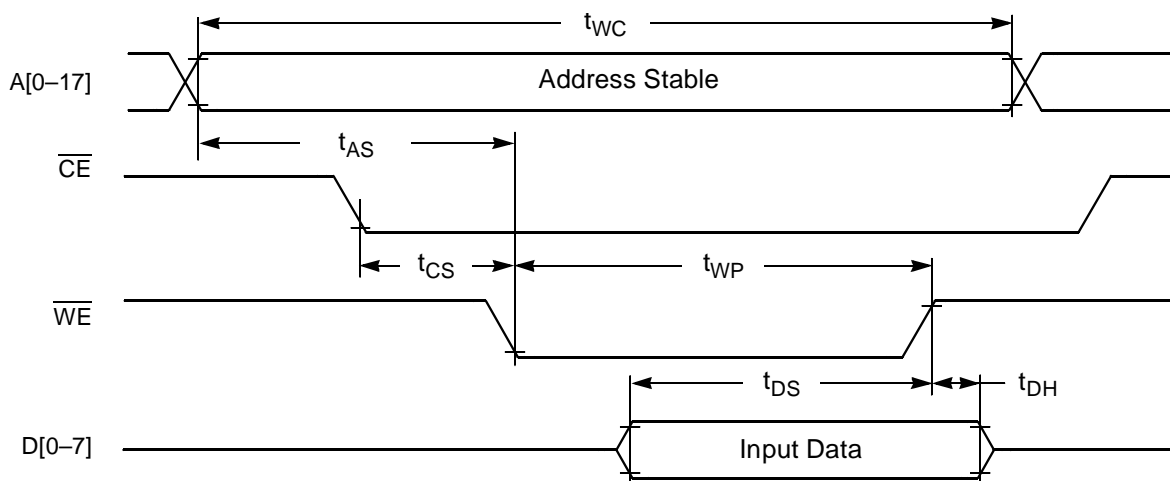


Figure 17. Am29F400 Memory Write Cycle Timing Diagram.

You can program non-volatile memory locations in the Flash memory if the location has not been written with a zero in any of the eight bits. However, if the memory location has been written, then you must first erase it. The Am29F400 device is organized as eight sectors of 64K bytes each, and to erase a memory location, you must erase the sector in which the memory location resides.

To write to an erased memory location, write the following data sequence to the Flash:

1. Write \$AAAA00 to location \$5555 relative to the Flash memory.
2. Write \$555500 to location \$2AAA relative to the Flash memory.
3. Write \$A0A000 to location \$5555 relative to the Flash memory.
4. Write 16-bit data to address in the Flash memory.
5. Read Address until DATA written = DATA read.

To erase a sector, write the following data sequence to the Flash memory:

1. Write \$AAAA00 to location \$5555 relative to the Flash memory.
2. Write \$555500 to location \$2AAA relative to the Flash memory.
3. Write \$808000 to location \$5555 relative to the Flash memory.
4. Write \$AAAA00 to location \$5555 relative to the Flash memory.
5. Write \$555500 to location \$2AAA relative to the Flash memory.
6. Write \$303000 to Sector Address Location relative to the Flash memory.

7. Read location in erasing Sector until DATA read = \$FFFFxx.

Note: Only the upper 16 bits of the 24-bit data word are significant.

5.3.2 DSP56303 Port A Timing Requirements and Register Settings

For most efficient use of the 128K × 16-bit X data and Y data space memory configuration, set the core speed of the DSP for optimum processor and memory performance using the DSP PLL and Clock Generation (PCTL) register. For this example, the DSP core runs at 80 MHz and the input frequency source is a 4.000 MHz crystal. The PCTL value combines the following bits for each feature:

- Desired core frequency = 80 MHz
- Given the external frequency = 4.000 MHz
- Predivider value = 1, bits 20–23 = \$0.
- Low-power divider value = 1, bits 12–14 = \$0.
- VCO multiplication value = 20, bits 0–11 = \$013.
- Crystal less than 200 kHz, bit 15 = 0.
- Disable XTAL drive output, bit 16 = 0.
- PLL runs during STOP, bit 17 = 1.
- Enable PLL operation, bit 18 = 1.
- Disable core clock output, bit 19 = 1.

The value loaded into the PCTL is \$0E0013.

AA1 enables, via Flash memory $\overline{\text{CE}}$, external 128K Flash bank accesses in the address range \$100000–\$11FFFF during X data and Y data space requests. Configure the memory address space requirements for the AA1 using Address Attribute Register 1 (AAR1). The AAR1 value combines the following bits for each feature:

- Specify the external memory access type as asynchronous SRAM, bits 0–1 = \$1.
- Pull the AA pin high when selected, bit 2 = 0.
- Activate the AA pin during external program space accesses, bit 3 = 0.
- Activate the AA pin during external X data space accesses, bit 4 = 1.
- Activate the AA pin during external Y data space accesses, bit 5 = 1.
- Move the eight least significant bits of the address to the eight most significant bits of the external address bus, bit 6 = 0.
- Enable the internal packing/unpacking logic during external DMA accesses, bit 7 = 0.
- Specify the number of address bits to compare, bits 8–11 = \$7.
- Specify the most significant portion of the address to compare, bits 12–23 = \$100.

The value loaded into the AAR1 is \$100731.

AA0 switches, via Flash memory A17, between X data and Y data space 128K Flash bank accesses in the address range \$100000–\$11FFFF during X and Y data space requests. Configure the memory address space requirements for the AA0 using the Address Attribute Register 0 (AAR0).

The AAR0 value combines the following bits for each feature:

- Specify the external memory access type as asynchronous SRAM, bits 0–1 = \$1.
- Pull the AA pin high when selected, bit 2 = 1.
- Activate the AA pin during external program space accesses, bit 3 = 0.
- Activate the AA pin during external X data space accesses, bit 4 = 1.
- Activate the AA pin during external Y data space accesses, bit 5 = 0.
- Move the eight least significant bits of the address to the eight most significant bits of the external address bus, bit 6 = 0.
- Enable the internal packing/unpacking logic during external DMA accesses, bit 7 = 0.
- Specify the number of address bits to compare, bits 8–11 = \$7.
- Specify the most significant portion of the address to compare, bits 12–23 = \$100.

The value loaded into the AAR0 is \$100715. The value loaded into AAR2 and AAR3 is \$000000.

Select the proper number of wait states for the memory configuration using the Bus Control Register (BCR). The BCR value combines the following bits for each feature:

- Address attribute area 0 wait states, bits 0–4 = \$C.
- Address attribute area 1 wait states, bits 5–9 = \$C.
- Address attribute area 2 wait states, bits 10–12 = \$0.
- Address attribute area 3 wait states, bits 13–15 = \$0.
- Default address area wait states, bits 16–20 = \$0.
- Bus state status, bit 21 = 0.
- Enable Bus Lock Hold, bit 22 = 0.
- Enable Bus Request Hold, bit 23 = 0.

The value loaded into the BCR is \$00018C.

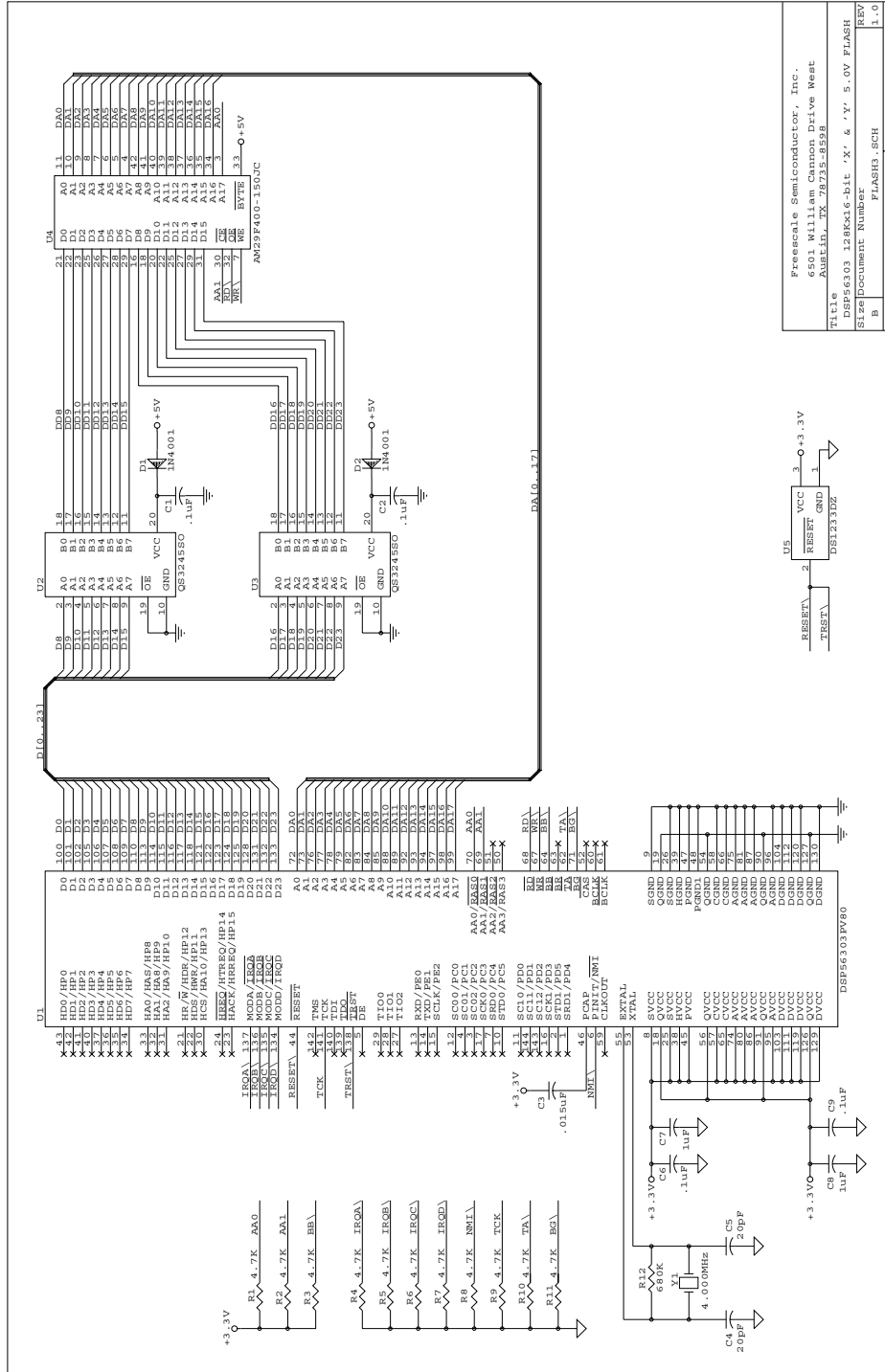
Configure the operating mode and external memory controls using the Operating Mode Register (OMR). The OMR value combines the following bits for each feature:

- MA–MD bits specify the DSP operating mode, bits 0–3 = \$0.
- External Bus Disable bit disables the external bus controller for power conservation when external memory is not used, bit 4 = \$0.
- Memory Switch Mode bit reconfigures internal memory spaces, bit 7 = \$0.
- Transfer Acknowledge Synchronize Select bit selects the synchronization method for the Transfer Acknowledge ($\overline{\text{TA}}$) pin, bit 11 = \$0.
- Bus Release Timing bit selects between a fast and slow bus release of the $\overline{\text{BB}}$ pin, bit 12 = \$0.
- Address Attribute Priority Disable bit allows the Address Attribute pins, AA[0–3], to be used in any combination, bit 14 = \$1.
- All other OMR bits are selected for their defaults of \$0.

The value loaded into the OMR is \$004000.

Configure the memory mode of the DSP using the Status Register (SR). The SR value combines the following bits for each feature: Sixteen-bit Compatibility mode enables full compatibility with object code written for the DSP56000 family of DSPs, bit 13 = \$0. The Instruction Cache Enable bit enables the instruction cache controller and changes the last 1K of internal program memory into cache memory, bit 19 = \$1. All other Status Register bits are selected for their defaults of \$0.

The value loaded into the SR is \$080000, which is the value loaded during reset.



Title		DS1233DZ	
Size/Document Number		P14583 SCH	
REV		1.0	
DATE		FEBRUARY 2017	

Presecale Semiconductor, Inc.
6501 William Cannon Drive West
Austin, TX 78735-8558

Figure 18. 256K x 16-bit X and Y Data Flash Schematic

Interfacing Flash Memory with the DSP56300 Family of Digital Signal Processors, Rev. 1

Example 3. 256K x 16-Bit X Data and Y Space Flash Memory Checksum Verify Program

Freescale DSP56300 Assembler Version 6.0.1.6 97-02-23 11:05:36 flash3.asm

```

1           page      132,60,3,3,
2           ;
3           ; flash3.asm - Simple program to calculate and write a 16-bit
Checksum
4           ; for a 256K x 16-bit block of X-Data and a
5           ;           256K x 16-bit block of Y-Data memory using a
DSP56303.
6           ;
7           ; Program runs in Internal P:RAM to calculate checksum;
8           ; on External X:FLASH from $100000-$11FFFF @ 12w/s and
9           ; on External Y:FLASH from $100000-$11FFFF @ 12w/s.
10          ;
11
12          100000      XMemStart      equ      $100000
13          120000      XMemEnd        equ      $120000
14          020000      XMemSize       equ      XMemEnd-XMemStart ;Last Word is stored Checksum
15
16          100000      YMemStart      equ      $100000
17          120000      YMemEnd        equ      $120000
18          020000      YMemSize       equ      YMemEnd-YMemStart ;Last word is stored Checksum
19
20          ;--- Program Specific Storage Locations (X DATA SPACE)
21          CKSUM_CALC_X
22          000000      equ      $000000 ; X Space Computed Checksum
23          CKSUM_READ_X
24          000001      equ      $000001 ; X Space Checksum in Last Memory
Location
25          CKSUM_CALC_Y
26          000002      equ      $000002 ; Y Space Computed Checksum
27          CKSUM_READ_Y
28          000003      equ      $000003 ; Y Space Checksum in Last Memory
Location
29
30          ;--- DSP56303 Control Registers (X I/O SPACE)
31          FFFFFFFB      BCR           equ      $FFFFFFB ; Bus Control Register
32          FFFFFFFD      PCTL         equ      $FFFFFFD ; PLL Control Register
33          FFFFFFF9      AAR0         equ      $FFFFFF9 ; AAR0
34          FFFFFFF8      AAR1         equ      $FFFFFF8 ; AAR1
35
36          ;--- PCTL value = 0x0E0013
37          000000      prediv         equ      0 ; Pre-Divider = 1
38          000000      lowdiv         equ      0 ; Low Power Divider = 1
39          000013      pllmul         equ      19 ; VCO Mult = 20;
(19+1)*4.00MHz=80.00MHz
40          000000      crystal        equ      0 ; No, Crystal not less than 200kHz
41          000000      disXTAL        equ      0 ; No, do not disable crystal use
42          020000      pllstop        equ      $020000 ; Yes, PLL runs during STOP
43          040000      enpll          equ      $040000 ; Yes, enable PLL operation
44          080000      disclk         equ      $080000 ; Yes, disable CORE clock output
45          0E0013      PCTL_value     equ
prediv+lowdiv+pllmul+crystal+disXTAL+pllstop+enpll+disclk
46
47          ;--- AAR1 value = 0x100731
48          000001      acctype1       equ      1 ;External Memory access type = 0x1
49          000000      aahigh1        equ      0 ; Enable AA1 pin low when selected
50          000000      aapl           equ      0 ; No, Enable AA1 pin on ext P access
51          000010      aax1           equ      $10 ; Yes, Enable AA1 pin on ext X access
    
```

```

52      000020      aay1          equ    $20    ; Yes, Enable AA1 pin on ext Y access
53      000000      aswap1       equ    0      ; No, Enable address bus swap
54      000000      enpack1     equ    0      ; No, Enable packing/unpacking logic
55      000700      nadd1       equ    $000700 ; Compare 7 address bits
56      100000      msadd1     equ    $100000 ; Most significant portion of address,
57                                     ; $100000 - 11ffff, to compare.
58                                     ; (0001,000x,xxxx,xxxx,xxxx,xxxx)
59      100731      AAR1_value equ
acctype1+aahigh1+aap1+aax1+aay1+aswap1+enpack1+nadd1+msadd1
60
61                                     ;--- AAR0 value = 0x100715
62      000001      acctype     equ    1      ; External Memory access type = 0x1
63      000004      aahigh     equ    $4      ; Enable AA0 pin to be High when
selected
64      000000      aap        equ    0      ; No, Enable AA0 pin on ext 'P' access
65      000010      aax        equ    $10     ; Yes, Enable AA0 pin on ext 'X' access
66      000000      aay        equ    0      ; No, Enable AA0 pin on ext 'Y' access
67      000000      aswap      equ    0      ; No, Enable address bus swap
68      000000      enpack     equ    0      ; No, Enable packing/unpacking logic
69      000700      nadd       equ    $000700 ; Compare 7 address bits
70      100000      msadd     equ    $100000 ; Most significant portion of address,
71                                     ; $100000 - 11ffff, to compare.
72                                     ; (0001,000x,xxxx,xxxx,xxxx,xxxx)
73      100715      AAR0_value equ
acctype+aahigh+aap+aax+aay+aswap+enpack+nadd+msadd
74
75                                     ;--- BCR value = 0x00018C
76      00000C      aaa0ws     equ    $C      ; Address Attribute Area 0 w/s = 12
77      000180      aaalws     equ    $180    ; Address Attribute Area 1 w/s = 12
78      000000      aaa2ws     equ    0      ; Address Attribute Area 2 w/s = 0
79      000000      aaa3ws     equ    0      ; Address Attribute Area 3 w/s = 0
80      000000      defws     equ    0      ; Default Address Area w/s = 0
81      000000      busss     equ    0      ; Bus state status = 0
82      000000      enblh     equ    0      ; Enable Bus Lock Hold = 0
83      000000      enbrh     equ    0      ; Enable Bus Request Hold = 0
84      00018C      BCR_value equ
aaa0ws+aaalws+aaa2ws+aaa3ws+defws+busss+enblh+enbrh
85
86                                     ;-----
87      P:000100      org      p:$100 ; Keep the program in internal RAM
88
89      flash3
90
91                                     ;----- Initialization Section -----
92      P:000100 08F4BD      movep   #PCTL_value,x:PCTL ; Set PLL Control Register
93                                     0E0013
94      P:000102 05F43A      movec   #$004000,OMR      ; Disable Address Attribute Priority
95                                     004000
96      P:000104 05F439      movec   #$080000,SR      ; Enable 1K Cache
97                                     080000
98      P:000106 08F4BB      movep   #BCR_value,x:BCR ; Set external wait states
99                                     00018C
100     P:000108 08F4B9      movep   #AAR0_value,x:AAR0 ; Set Address Attribute Reg0
101                                     100715
102     P:00010A 08F4B8      movep   #AAR1_value,x:AAR1 ; Set Address Attribute Reg1
103                                     100731
104
105                                     ;-----
106                                     ;-----
107     do_x_checksum

```

```

102   P:00010C 05F420      move      #-1,m0      ; Set LINEAR addressing mode
        FFFFFFFF
103   P:00010E 60F400      move      #XMemStart,r0 ; Set Starting Address of X:FLASH
        100000
104   P:000110 70F400      move      #XMemSize,n0 ; Set to Size of X:FLASH
        020000
105
106   P:000112 200013      clr       a
107   P:000113 20001B      clr       b
108   P:000114 560000      move      a,x:CKSUM_CALC_X ; Initialize computed checksum
-> $000000
109   P:000115 560100      move      a,x:CKSUM_READ_X ; Initialize read checksum ->
$000000
110
111           ;----- Compute the Checksum -----
112   P:000116 44F400      move      #$FFFF00,x0 ; Read Mask
        FFFF00
113   P:000118 06D810      dor       n0,x_loop
        000004
114   P:00011A 56D800      move      x:(r0)+,a ; Get the X:FLASH location Value
115   P:00011B 200046      and       x0,a      ; Force input value to be $xxxx00
116   P:00011C 200018      add       a,b      ; Compute checksum
        x_loop
117
118
119   P:00011D 56E000      move      x:(r0),a ; Get Old Checksum value
120   P:00011E 20004E      and       x0,b      ; Force calculated Checksum to be
$xxxx00
121   P:00011F 200046      and       x0,a      ; Force Old Checksum to be $xxxx00
122   P:000120 570000      move      b,x:CKSUM_CALC_X ; Save Computed Checksum value
123   P:000121 20001B      clr       b
124   P:000122 560100      move      a,x:CKSUM_READ_X ; Save the Old Checksum value
125   P:000123 578000      move      x:CKSUM_CALC_X,b ; Put Calculated Checksum
value in b1
126   P:000124 20000D      cmp       a,b      ; Old Checksum = New Checksum?
127   P:000125 0D104A      beq      x_done    ; Yes
        000039
128           ; No
129           ;----- See if Checksum Location is Erased -----
130   P:000127 44F400      move      #$FFFF00,x0 ; FLASH erased value
        FFFF00
131   P:000129 200045      cmp       x0,a      ; Contents of checksum location =
Erased?
132   P:00012A 0D104A      beq      x_write_checksum ; Yes
        000021
133           ; No
134           ;-----
135           ; N O T E
136           ;-----
137           ; If at least 64Kx16-bit words of external RAM is available
138           ; then; 1) last sector of the FLASH can be read into external RAM
139           ;      2) the last sector of the FLASH can be erased,
140           ;      3) and last sector of data along with the new checksum
141           ;          can be written back into the FLASH.
142           ; otherwise; 1) erase the last sector of the FLASH,
143           ;      2) and write the checksum to the FLASH.
144           ;-----
145           ;-----
146           ;--- Copy last sector of FLASH into external RAM (if available) ---
147           ;-----
148

```

```

149          ;----- Erase last sector of FLASH -----
150 P:00012C 44F400      move          #$AAAA00,x0
          AAAA00
151 P:00012E 4C7000      move          x0,y:XMemStart+$5555; Unlock X:FLASH cycle 1
          105555
152
153 P:000130 44F400      move          #$555500,x0
          555500
154 P:000132 4C7000      move          x0,y:XMemStart+$2AAA; Unlock X:FLASH cycle 2
          102AAA
155
156 P:000134 44F400      move          #$808000,x0
          808000
157 P:000136 4C7000      move          x0,y:XMemStart+$5555; Send set-up command
          105555
158
159 P:000138 44F400      move          #$AAAA00,x0
          AAAA00
160 P:00013A 4C7000      move          x0,y:XMemStart+$5555; Unlock X:FLASH cycle 1
          105555
161
162 P:00013C 44F400      move          #$555500,x0
          555500
163 P:00013E 4C7000      move          x0,y:XMemStart+$2AAA; Unlock X:FLASH cycle 2
          102AAA
164
165 P:000140 44F400      move          #$303000,x0
          303000
166 P:000142 447000      move          x0,x:XMemEnd-$800          ; Send sector erase command
          11F800
167
168 P:000144 44F400      move          #$FFFF00,x0
          FFFF00
169          x_wait_til_erased
170 P:000146 56F000      move          x:XMemEnd-$800,a ; Get current value of location in
last sector
          11F800
171 P:000148 200046      and          x0,a
172 P:000149 200045      cmp          x0,a          ; Fully Erased?
173 P:00014A 0527DC      bne          x_wait_til_erased          ; No
174          ; Yes
175
176          ;----- Write Data Buffer Back to FLASH (if RAM available) ---
177
178          ;----- X:FLASH Write Routine -----
179          ; b = contains data to be written to FLASH.
180          ; r0 = points to location in FLASH to be written.
181          x_write_checksum
182 P:00014B 44F400      move          #$AAAA00,x0
          AAAA00
183 P:00014D 4C7000      move          x0,y:XMemStart+$5555; Unlock X:FLASH cycle #1
          105555
184
185 P:00014F 44F400      move          #$555500,x0
          555500
186 P:000151 4C7000      move          x0,y:XMemStart+$2AAA; Unlock X:FLASH cycle #2
          102AAA
187
188 P:000153 44F400      move          #$A0A000,x0
          A0A000

```

```

189   P:000155 4C7000      move          x0,y:XMemStart+$5555; Send FLASH write command
      105555
190
191   P:000157 576000      move          b,x:(r0)  ; Send data to write to X:FLASH
192
193   P:000158 44F400      move          #$FFFF00,x0
      FFFF00
194           x_write_wait
195   P:00015A 56E000      move          x:(r0),a  ;Get X:FLASH value at write location
196   P:00015B 200046      and          x0,a        ; Force read value to be $xxxx00
197   P:00015C 20000D      cmp          a,b          ; Write Done?
198   P:00015D 0527DD      bne         x_write_wait ; No
199                                     ; Yes
200           x_done
201
;*****
202
;*****
203           do_y_checksum
204   P:00015E 05F420      move          #-1,m0     ; Set LINEAR addressing mode
      FFFFFFFF
205   P:000160 60F400      move          #YMemStart,r0 ; Set Starting Address of Y:FLASH
      100000
206   P:000162 70F400      move          #YMemSize,n0 ; Set to Size of Y:Flash
      020000
207
208   P:000164 200013      clr          a
209   P:000165 20001B      clr          b
210   P:000166 560200      move          a,x:CKSUM_CALC_Y ; Initialize computed checksum
-> $000000
211   P:000167 560300      move          a,x:CKSUM_READ_Y ; Initialize read checksum ->
$000000
212
213           ;----- Compute the Checksum -----
214   P:000168 44F400      move          #$FFFF00,x0
      FFFF00
215   P:00016A 06D810      dor          n0,y_loop
      000004
216   P:00016C 5ED800      move          y:(r0)+,a  ; Get the Y:FLASH location Value
217   P:00016D 200046      and          x0,a        ; Force read value to $xxxx00
218   P:00016E 200018      add          a,b          ; Compute checksum
219           y_loop
220
221   P:00016F 5EE000      move          y:(r0),a  ; Get Old Checksum value
222   P:000170 20004E      and          x0,b        ; Force calculated checksum to
$xxxx00
223   P:000171 200046      and          x0,a        ; Force Old Checksum to $xxxx00
224   P:000172 570200      move          b,x:CKSUM_CALC_Y ; Save Computed Checksum value
225   P:000173 20001B      clr          b
226   P:000174 560300      move          a,x:CKSUM_READ_Y ; Save the Old Checksum value
227   P:000175 578200      move          x:CKSUM_CALC_Y,b ; Get calculated Checksum
value in b1
228   P:000176 20000D      cmp          a,b          ; Old Checksum = New Checksum?
229   P:000177 0D104A      beq         y_done      ; Yes
      000039
230                                     ; No
231           ;----- See if Checksum Location is Erased -----
232   P:000179 44F400      move          #$FFFF00,x0 ; FLASH erased value
      FFFF00
233   P:00017B 200045      cmp          x0,a        ;Contents of checksum location = Erased?

```



```

234 P:00017C 0D104A beq y_write_checksum ; Yes
      000021
235
236 ;-----
237 ; N O T E
238 ;-----
239 ; If at least 64Kx16-bit words of external RAM is available
240 ; then 1) last sector of FLASH can be read into external RAM
241 ; 2) the last sector of the FLASH can be erased,
242 ; 3) and the last sector of data along with the new checksum
243 ; can be written back into the FLASH.
244 ; otherwise; 1) erase the last sector of the FLASH,
245 ; 2) and write the checksum to the FLASH.
246 ;-----
247 ;--- Copy last sector of FLASH into external RAM (if available) ---
248 ;-----
249
250 ;----- Erase last sector of FLASH -----
251 P:00017E 44F400 move #$AAAA00,x0
      AAAA00
252 P:000180 4C7000 move x0,y:YMemStart+$5555; Unlock Y:FLASH cycle 1
      105555
253
254 P:000182 44F400 move #$555500,x0
      555500
255 P:000184 4C7000 move x0,y:YMemStart+$2AAA; Unlock Y:FLASH cycle 2
      102AAA
256
257 P:000186 44F400 move #$808000,x0
      808000
258 P:000188 4C7000 move x0,y:YMemStart+$5555; Send set-up command
      105555
259
260 P:00018A 44F400 move #$AAAA00,x0
      AAAA00
261 P:00018C 4C7000 move x0,y:YMemStart+$5555; Unlock Y:FLASH cycle 1
      105555
262
263 P:00018E 44F400 move #$555500,x0
      555500
264 P:000190 4C7000 move x0,y:YMemStart+$2AAA; Unlock Y:FLASH cycle 2
      102AAA
265
266 P:000192 44F400 move #$303000,x0
      303000
267 P:000194 4C7000 move x0,y:YMemEnd-$800; Send sector erase command
      11F800
268
269 P:000196 44F400 move #$FFFF00,x0
      FFFF00
270 y_wait_til_erased
271 P:000198 5EF000 move y:YMemEnd-$800,a; Get value of location in last sector
      11F800
272 P:00019A 200046 and x0,a ; Mask value to $xxxx00
273 P:00019B 200045 cmp x0,a ; Fully Erased?
274 P:00019C 0527DC bne y_wait_til_erased ; No
275 ; Yes
276
277 ;----- Write Data Buffer Back to FLASH (if RAM available) -----
278

```

```

279          ;----- Y:FLASH Write Routine -----
280          ; b = contains data to be written to FLASH.
281          ; r0 = points to location in FLASH to be written.
282          y_write_checksum
283 P:00019D 44F400      move          #$AAAA00,x0
                AAAA00
284 P:00019F 4C7000      move          x0,y:YMemStart+$5555; Unlock Y:FLASH cycle #1
                105555
285
286 P:0001A1 44F400      move          #$555500,x0
                555500
287 P:0001A3 4C7000      move          x0,y:YMemStart+$2AAA; Unlock Y:FLASH cycle #2
                102AAA
288
289 P:0001A5 44F400      move          #$A0A000,x0
                A0A000
290 P:0001A7 4C7000      move          x0,y:YMemStart+$5555; Send FLASH write command
                105555
291
292 P:0001A9 5F6000      move          b,y:(r0)   ; Send data to write to Y:FLASH
293
294 P:0001AA 44F400      move          #$FFFF00,x0
                FFFF00
295          y_write_wait
296 P:0001AC 5EE000      move          y:(r0),a   ; Get current Y:FLASH value at write
location
297 P:0001AD 200046      and          x0,a
298 P:0001AE 20000D      cmp          a,b          ; Write Done?
299 P:0001AF 0527DD      bne         y_write_wait ; No
300                                     ; Yes
301          y_done
302
;*****
303
304 P:0001B0 050C00      bra          *              ; Done, Do a Dynamic Halt
305
306          end          flash3

0      Errors
0      Warnings

```

6 +3.3 V PEROM Memory

Programmable erasable read-only memory (PEROM) provides non-volatile program and data storage that is in-circuit reprogrammable and offers relatively fast access times. However, even the fastest PEROM memories require a DSP core running at 80 MHz to generate external memory wait states. With each wait state equivalent to one clock period of the DSP core, one wait state for a core running at 80 MHz is roughly 12.5 nS. When the external memory device requires address stability during an entire external access, a DSP56300 family derivative incurs an automatic one wait state penalty. Since PEROM devices require address stability, the DSP operates with at least one wait state when these external memories are used.

The following three Atmel PEROM design examples illustrate the ease and flexibility in using a single 3.3 V PEROM device with the DSP56300 family.

- The first example, 32KK × 8-bit boot PEROM, shows one solution for an embedded system, which loads a program from PEROM at boot time into the DSP internal RAM and then executes it.

- The second example, 512K × 8-bit boot/overlay PEROM, shows another solution for a bootable embedded system. In this implementation, the DSP loads internal program RAM from the PEROM at boot time and then overlays new programs and data from the PEROM when needed.
- The third example, 32K × 16-bit X data and 32K × 16-bit Y data PEROM, shows a solution that allows a user to modify or upgrade the 16-bit reference data tables.

6.1 32K × 8-Bit Boot PEROM Example

The 32K × 8-bit bootstrap PEROM implementation uses the Atmel AT29LV256-25. See **Figure 19** for the memory map layout, **Figure 20** for the block diagram, and **Figure 23** for the schematic. A program placed in the PEROM can be loaded into the DSP RAM at boot time and executed. The program can then save an updated version of the program back into the PEROM for later restarts.

The DSP core runs at 80 MHz and the input frequency source is from a 4.000 MHz crystal. For a 250 nS PEROM, twenty wait states are required. During the DSP boot sequence, the DSP generates thirty-one wait states to accommodate slow memories. On exit from reset, the core for our example runs at 4.0 MHz, allowing a 7.7 mS access time device to be used. This 3.3 V device is organized as 32K × 8 bits with a 250 nS access time. One memory device is used to achieve the 8-bit wide boot bus.

During reset with Mode 1 selected, the DSP boot code configures Address Attribute Line 1 for program accesses in the address range \$D00000–\$DFFFFFF. The boot code then loads bytes from PEROM, packs them into 24-bit words and stores them into program RAM. The first word, three packed bytes read from the PEROM, indicates the number of words to load, and the second word contains the starting load address for the packed data. This starting load address is also the address that gains program control after the program load is completed.

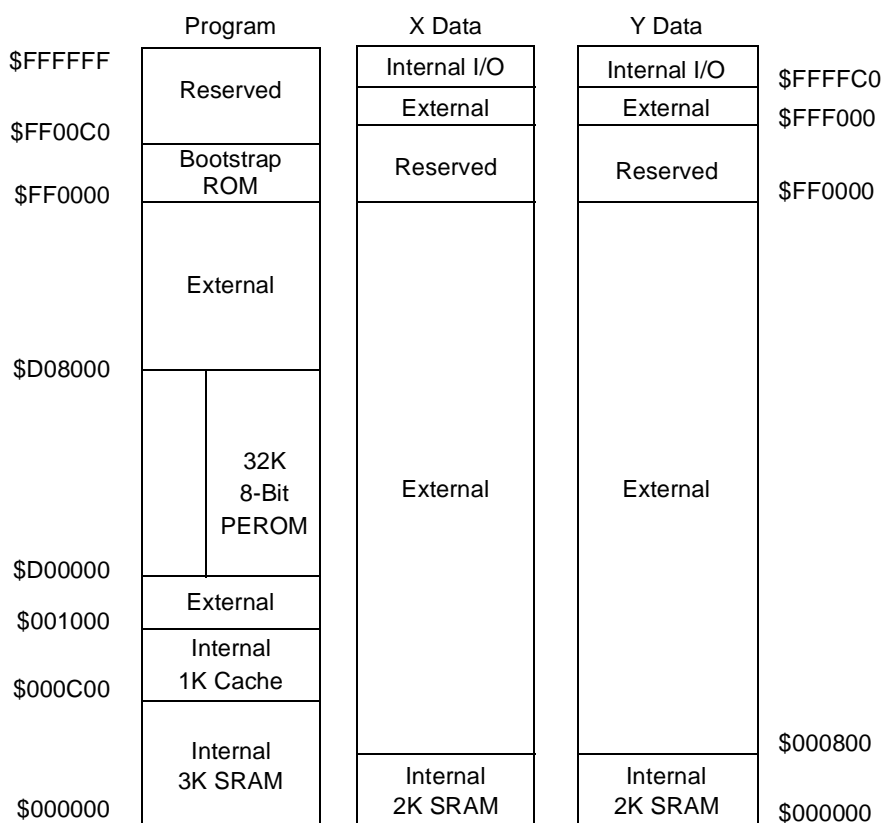


Figure 19. 32K × 8-Bit Boot PEROM Memory Map

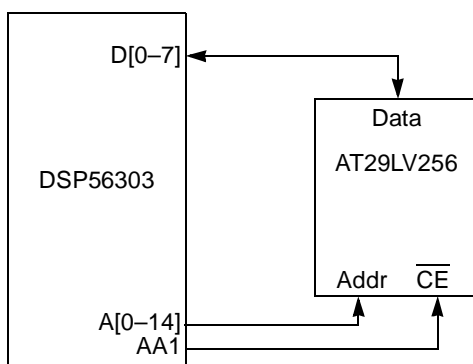


Figure 20. 32K × 8-Bit BOOT/Overlay PEROM Memory Example

6.1.1 PEROM Timing Requirements

Following are the timing requirements for the AT29LV256-25 32K × 8-bit 250 nS PEROM. Table 9 shows the memory read timing specification values used in the memory read cycle timing diagram, Figure 21.

Table 9. AT29LV256-25 Memory Read Timing Specifications

Read Cycle Parameter	Symbol	Min	Max
Address to Output Delay	t_{ACC}	—	250 nS
Chip Enable to Output Delay	t_{CE}	—	250 nS
Output Enable to Output Delay	t_{OE}	—	120 nS
Output Hold Time from Address, \overline{CE} or \overline{OE} . Whichever occurs first.	t_{OH}	0 nS	—

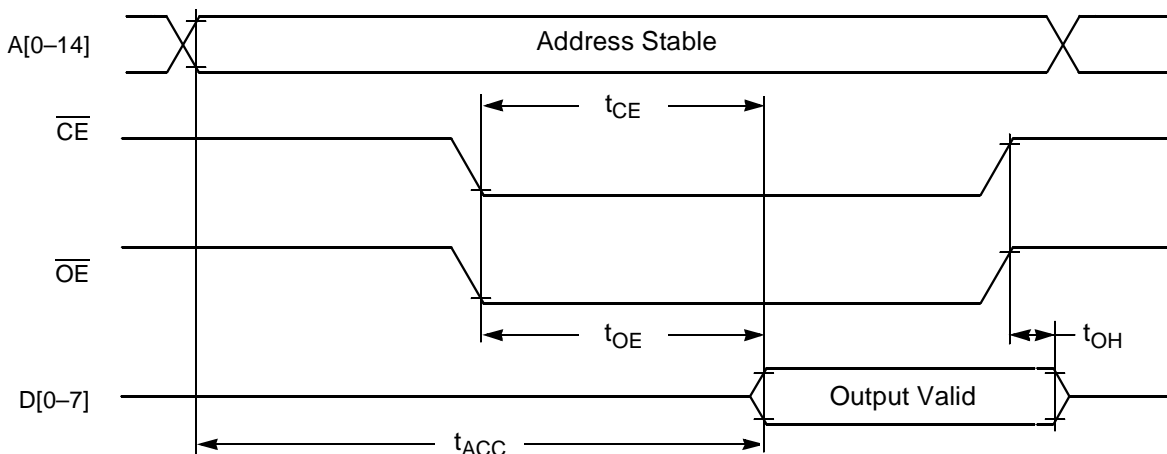


Figure 21. AT29LV256 Memory Read Cycle Timing Diagram

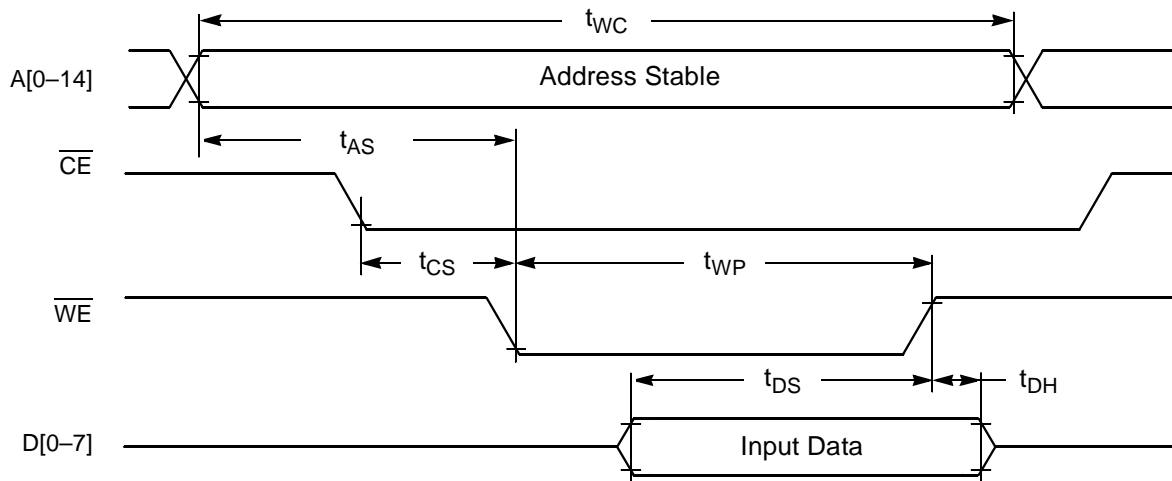
Table 10 shows the memory write timing values used in the memory write cycle timing diagram, Figure 22.

Table 10. AT29LV256-25 Memory Write Timing Specifications

Write Cycle Parameter	Symbol	Min	Max
Write Cycle Time (to Program)	t_{WC}	—	20 mS
Address set-up Time	t_{AS}	10 nS	—

Table 10. AT29LV256-25 Memory Write Timing Specifications (Continued)

Write Cycle Parameter	Symbol	Min	Max
CE set-up Time	t_{CS}	0 nS	—
Write Pulse Width	t_{WP}	200 nS	—
Data set-up Time	t_{DS}	100 nS	—
Data Hold Time	t_{DH}	10 nS	—


Figure 22. AT29LV256 Memory Write Cycle Timing Diagram

Non-volatile memory locations in the PEROM are not individually programmable, but must be programmed as a sector of sixty-four locations. The AT29LV256 device is organized as 512 sectors of sixty-four bytes each. To change one memory location, program the entire sector in which the memory location resides. The programming cycle erases and programs all sixty-four locations; there is no separate erase cycle.

Writing to a PEROM memory location requires writing a complete sector, or 64 bytes of data, to the PEROM in the following sequence:

1. Write \$0000AA to location \$5555 relative to the PEROM.
2. Write \$000055 to location \$2AAA relative to the PEROM.
3. Write \$0000A0 to location \$5555 relative to the PEROM.
4. Write 64 bytes of data to sector in the PEROM.
5. Read last address in sector until data read = data written.

6.1.2 DSP56303 Port A Timing Requirements and Register Settings

For most efficient use of the 32K × 8-bit Boot PEROM memory configuration, set the core speed of the DSP for optimum processor and memory performance using the DSP PLL and Clock Generation (PCTL) register. For this example, the DSP core runs at 80 MHz and the input frequency source is a 4.000 MHz crystal. The PCTL register value combines the following bits for each feature:

- Desired core frequency = 80 MHz
- Given the external frequency = 4.000 MHz
- Predivider value = 1, bits 20–23 = \$0

- Low-power divider value = 1, bits 12–14 = \$0
- VCO multiplication value = 20, bits 0–11 = \$013
- Crystal less than 200 kHz, bit 15 = 0
- Disable XTAL drive output, bit 16 = 0
- PLL runs during STOP, bit 17 = 1
- Enable PLL operation, bit 18 = 1
- Disable core clock output, bit 19 = 1

The value loaded into the PCTL register is \$0E0013.

AA1 connects to PEROM pin \overline{CE} to enable the external 32K PEROM bank for program space accesses between \$D00000–\$D07FFF. Configure the memory address space requirements for AA1 using the Address Attribute Register 1 (AAR1). The AAR1 value combines the following bits for each feature:

- Specify the external memory access type as asynchronous SRAM, bits 0–1 = \$1.
- Pull the AA1 pin high when selected, bit 2 = 0.
- Activate the AA1 pin during external program space accesses, bit 3 = 1.
- Activate the AA1 pin during external X data space accesses, bit 4 = 0.
- Activate the AA1 pin during external Y data space accesses, bit 5 = 0.
- Move the eight least significant bits of the address to the eight most significant bits of the external address bus, bit 6 = 0.
- Enable the internal packing/unpacking logic during external DMA accesses, bit 7 = 0.
- Specify the number of address bits to compare, bits 8–11 = \$9.
- Specify the most significant portion of the address to compare, bits 12–23 = \$D00.

The value loaded into the AAR1 is \$D00909.

The value loaded into AAR0, AAR2 and AAR3 is \$00000.

Select the proper number of wait states for the memory configuration using the Bus Control Register (BCR). The BCR value combines the following bits for each feature:

- Address attribute area 0 wait states, bits 0-4 = \$0.
- Address attribute area 1 wait states, bits 5-9 = \$14.
- Address attribute area 2 wait states, bits 10-12 = \$0.
- Address attribute area 3 wait states, bits 13-15 = \$0.
- Default address area wait states, bits 16-20 = \$0.
- Bus state status, bit 21 = 0.
- Enable Bus Lock Hold, bit 22 = 0.
- Enable Bus Request Hold, bit 23 = 0.

The value loaded into the BCR is \$000280.

Configure the operating mode and external memory controls using the Operating Mode Register (OMR). The OMR value combines the following bits for each feature:

- MA–MD bits specify the DSP operating mode, bits 0–3 = \$0.
- External Bus Disable bit disables the external bus controller for power conservation when external memory is not used, bit 4 = \$0.
- Memory Switch Mode bit, reconfigures internal memory spaces, bit 7 = \$0.
- Transfer Acknowledge Synchronize Select bit selects the synchronization method for the Transfer Acknowledge, TA, pin, bit 11 = \$0.
- Bus Release Timing bit selects between a fast and slow bus release of the \overline{BB} pin, bit 12 = \$0.
- Address Attribute Priority Disable bit allows the Address Attribute pins, AA0–AA3, to be used in any combination, bit 14 = \$1.
- All other OMR bits are selected for their defaults of \$0.

The value loaded into the OMR is \$004000.

Configure the memory mode of the DSP using the Status Register (SR). The SR value combines the following bits for each feature:

- Sixteen-Bit Compatibility Mode enables full compatibility to object code written for the DSP56000 Family of DSPs, SR Bit 13 = \$0.
- Instruction Cache Enable bit enables the instruction cache controller and changes the last 1K of internal program memory into cache memory, SR Bit 19 = \$1.
- All other Status Register bits are selected for their defaults of \$0.

The value loaded into the SR is \$080000, which is the value loaded during reset.

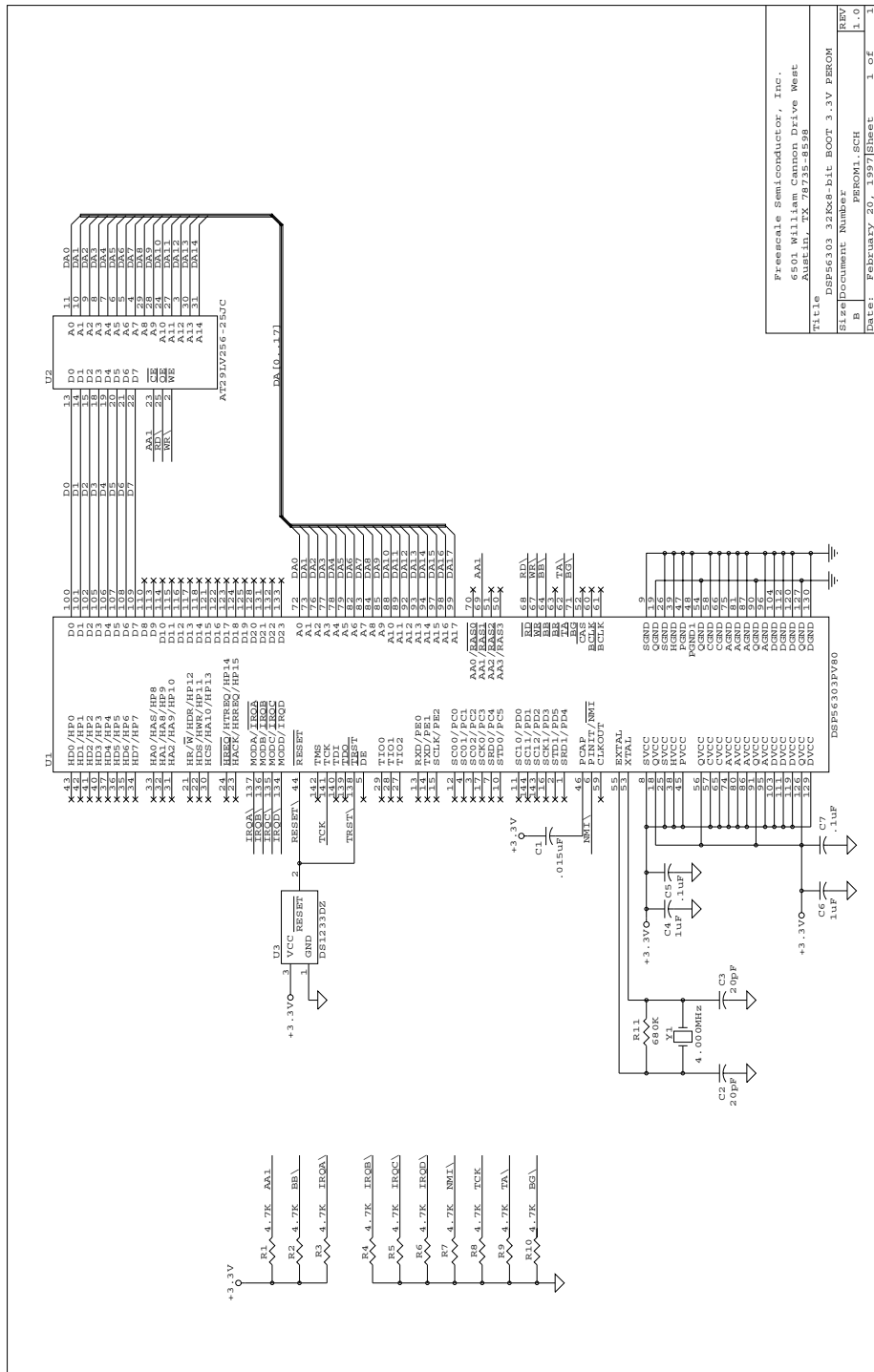


Figure 23. 32K x 8-Bit BOOT PEROM Schematic

Example 4. 32K x 8-bit BOOT PEROM Checksum Verify Program

Freescale DSP56300 Assembler Version 6.0.1.6 97-02-23 09:09:05 perom1.asm

```

1          page    132,60,3,3,
2          ;
3          ; perom1.asm, simple program to calculate the 8-Bit
4          ; checksum for
5          ; a 32K x 8-Bit block of PEROM memory using a DSP56303.
6          ; Contains: Initialization routine,
7          ; Routine to calculate 8-Bit checksum,
8          ; Routine to read checksum sector,
9          ; Routine to write checksum sector.
10         ;
11         ; Program runs in Internal P:RAM to calculate the checksum on
12         ; External P:PEROM from $D00000 - $D07FFF @ 20w/s
13         ;
14         D00000 MemStart      equ    $D00000
15         D08000 MemEnd       equ    $D08000
16         008000 MemSize      equ    MemEnd-MemStart ; Last Word is stored Checksum value
17
18         SectorStart
19         D07FC0 SectorStart  equ    $D07FC0          ; Start of Checksum Sector
20         000040 SectorSize  equ    64              ; Size of Checksum Sector
21
22         ;--- Program Specific Storage Locations (X DATA SPACE)
23         NEW_CHECKSUM
24         000000              equ    $000000          ; Computed Checksum Value
25         OLD_CHECKSUM
26         000001              equ    $000001          ; Old Checksum from PEROM
27
28         000002 DataBuffer   equ    $000002          ; Start of Last Sector Storage Buffer
29
30         ;--- DSP56303 Control Registers (X I/O SPACE)
31         FFFFFB BCR          equ    $FFFFFB          ; Bus Control Register
32         FFFFFD PCTL         equ    $FFFFFD          ; PLL Control Register
33         FFFF8 AAR1          equ    $FFF8            ; Address Attribute Register 1
34
35         ;--- PCTL value = 0x0E0013
36         000000      prediv equ    0                ; Predivider = 1
37         000000      lowdiv equ    0                ; Low Power Divider = 1
38         000013      pllmul equ    19              ; VCO Mult = 20; (19+1)*4.00MHz=80.00MHz
39         000000      crystalequ 0                ; No, Crystal not less than 200kHz
40         000000      disXTALequ 0                ; No, do not disable crystal use
41         020000      pllstop equ    $020000         ; Yes, PLL runs during STOP
42         040000      enpll equ    $040000          ; Yes, enable PLL operation
43         080000      disclk equ    $080000         ; Yes, disable CORE clock output
44         0E0013      PCTL_valueequ
45         prediv+lowdiv+pllmul+crystal+disXTAL+pllstop+enpll+disclk
46
47         ;--- AAR1 value = 0xD00909
48         000001      acctype1 equ    1            ; External Memory access type = 0x1
49         000000      aahigh1 equ    0            ; Enable AA1 pin low when selected
50         000008      aap1 equ    $8             ; Yes, Enable AA1 pin on ext P access
51         000000      aax1 equ    0            ; No, Enable AA1 pin on ext X access
52         000000      aay1 equ    0            ; No, Enable AA1 pin on ext Y access
53         000000      aswap1 equ    0            ; No, Enable address bus swap
54         000000      enpack1 equ    0            ; No, Enable packing/unpacking logic
55         000900      nadd1 equ    $000900         ; Compare 9 address bits
56         D00000      msadd1 equ    $D00000         ; Most significant portion of address,
57         ; $D00000 - D07fff, to compare.
58         ; (1101,0000,0xxx,xxxx,xxxx,xxxx)

```

```

58      D00909          AAR1_valueequ
acctype1+aahigh1+aap1+aa1+aa1+aswap1+enpack1+nadd1+msadd1
59
60
61          ;--- BCR value = 0x000280
62      000000          aaa0ws equ    0          ; Address Attribute Area 0 w/s = 0
63      000280          aaalws equ    $280        ; Address Attribute Area 1 w/s = 20
64      000000          aaa2ws equ    0          ; Address Attribute Area 2 w/s = 0
65      000000          aaa3ws equ    0          ; Address Attribute Area 3 w/s = 0
66      000000          defws equ    0          ; Default Address Area w/s = 0
67      000000          bussss equ    0          ; Bus state status = 0
68      000000          enblh equ    0          ; Enable Bus Lock Hold = 0
69      000000          enbrh equ    0          ; Enable Bus Request Hold = 0
70      000280          BCR_valueequ  aaa0ws+aaalws+aaa2ws+aaa3ws+defws+bussss+enblh+enbrh
71
72          ;-----
73          ;          Header for DSP56303 BOOT Code
74          ;-----
75      P:0000FE          org      p:$100-2
76
77      P:0000FE          dc      pgm_end-perom1      ; Number of words in program
78      P:0000FF          dc      perom1              ; Starting address for program
79
80
81          ;-----
82      P:000100          org      p:$100              ;Keep program in internal RAM
83
84          perom1
85      P:0001000D1080    bsr      init              ; Initialize DSP
86          000011
87
88
89      P:0001020D1080    bsr      calc_checksum      ; Calculate Checksum of PEROM
90          000018
91
92
93      P:000104548100    move     x:OLD_CHECKSUM,a1 ; Get PEROM's Old Checksum value
94      P:000105558000    move     x:NEW_CHECKSUM,b1 ; Get Calculated Checksum value
95      P:00010620000D    cmp      a,b              ; Old Checksum = New Checksum?
96      P:0001070D104A    beq     _done           ; Yes, we are done
97          000009
98
99
100          ; No
101      P:000109 0D1080    bsr      save_sector   ; Save contents of PEROM Checksum Sector
102          000028
103
104
105      P:00010B 448000    move     x:NEW_CHECKSUM,x0 ; Get Calculated Checksum value
106      P:00010C 447000    move     x0,x:DataBuffer+SectorSize-1; Update Checksum
107      location in buffer
108          000041
109
110      P:00010E 0D1080    bsr      write_sector  ; Write saved PEROM Checksum sector Data
111          000033
112
113          ; with New Checksum value to PEROM
114
115      _done
116      P:000110 050C00    bra     *              ; DONE, Do a dynamic HALT
117
118
119          ;-----
120          ;          Initialization Section
121          ;-----
122          init
123
124      P:000111 08F4BD    movep   #PCTL_value,x:PCTL ; Set PLL Control Register
125          0E0013
126
127      P:000113 05F439    movec   #$080000,SR     ; Enable 1K Cache

```

```

080000
110 P:000115 08F4BB      movep  #BCR_value,x:BCR      ; Set external wait states
      000280
111 P:000117 08F4B8      movep  #AAR1_value,x:AAR1    ; Set Address Attribute Reg1
      D00909
112
113 P:000119 00000C      rts
114

115 ;-----
116 ; Routine to Calculate 8-Bit Checksum
117 ;-----
118 calc_checksum
119 P:00011A 05F420      move   #-1,m0                ; Set LINEAR addressing mode
      FFFFFFFF
120 P:00011C 60F400      move   #MemStart,r0         ; Set Starting Address of PEROM
      D00000
121 P:00011E 70F400      move   #MemSize-1,n0        ; Set to Size of Flash - Checksum
      007FFF
122
123 P:000120 200013      clr    a
124 P:000121 20001B      clr    b
125 P:000122 540000      move   a1,x:NEW_CHECKSUM    ; Initialize computed checksum ->
$000000
126 P:000123 540100      move   a1,x:OLD_CHECKSUM    ; Initialize read checksum ->
$000000
127
128 ; Compute the 8-Bit Checksum
129 P:000124 44F400      move   #>$FF,x0            ; Set lower Byte Mask
      0000FF
130
131 P:000126 06D810      dor    n0,_ploop
      000004
132 P:000128 07D88C      move   p:(r0)+,a1          ; Get the PEROM location Value
133 P:000129 200046      and    x0,a                ; Mask for lower byte
134 P:00012A 200018      add    a,b                 ; Compute checksum
135 _ploop
136
137 P:00012B 07E08C      move   p:(r0),a1          ; Get PEROM Old Checksum value
138 P:00012C 20004E      and    x0,b                ; Limit calculated Checksum to lower byte
139 P:00012D 200046      and    x0,a                ; Limit Old Checksum to lower byte
140 P:00012E 550000      move   b1,x:NEW_CHECKSUM    ; Save the Computed Checksum value
141 P:00012F 540100      move   a1,x:OLD_CHECKSUM    ; Save the Old Checksum value
142
143 P:000130 00000C      rts
144
145 ;-----
146 ; Routine to Read the current contents of the PEROM
147 ; where the Checksum is stored
148 ;-----
149 save_sector
150 P:000131310200      move   #DataBuffer,r1      ; Point to start of data storage buffer
151 P:00013205F421      move   #-1,m1              ; Set modulo to linear
      FFFFFFFF
152
153 P:000134 60F400      move   #SectorStart,r0     ; Point to Start of Sector in PEROM
      D07FC0
154 P:000136 384000      move   #SectorSize,n0      ; Get size of Sector
155 P:000137 05F420      move   #-1,m0              ; Set modulo to linear FFFFFFFF
156

```

```

157 P:000139 44F400    move    #>$FF,x0      ; Lower Byte Mask 0000FF
158
159 P:00013B 06D810    dor     n0,_read_loop 000004
160 P:00013D 07D88C    move    p:(r0)+,a1    ; Read a word from the PEROM sector
161 P:00013E 200046    and     x0,a          ; Mask data to lower byte, ie $0000xx
162 P:00013F 545900    move    a1,x:(r1)+    ; Save off a word in storage buffer
163     _read_loop
164
165 P:000140 00000C    rts
166
167     ;-----
168     ; Routine to Place PEROM into ERASE/WRITE MODE and send it sector of Data
169     ;-----
170     write_sector
171 P:000141310200    move    #DataBuffer,r1 ; Point to start of data storage buffer
172 P:00014205F421    move    #-1,m1        ; Set modulo to linear FFFFFFFF
173
174 P:000144 60F400    move    #SectorStart,r0 ; Point to Start of Sector in PEROM
175     D07FC0
176 P:000146 384000    move    #SectorSize,n0 ; Get size of sector
177 P:000147 05F420    move    #-1,m0        ; Set modulo to linear FFFFFFFF
178
179     ;-- Place PEROM into ERASE/WRITE MODE
180 P:000149 44F400    move    #>$AA,x0
181     0000AA
182 P:00014B 077084    move    x0,p:MemStart+$5555 ; Unlock PEROM Cycle #1
183     D05555
184
185 P:00014D 44F400    move    #>$55,x0
186     000055
187 P:00014F 077084    move    x0,p:MemStart+$2AAA ; Unlock PEROM Cycle #2
188     D02AAA
189
190 P:000151 44F400    move    #>$A0,x0
191     0000A0
192 P:000153 077084    move    x0,p:MemStart+$5555 ; Send PEROM Write Command
193     D05555
194     ; -- PEROM Writes are now enabled
195     ;-- Send a Sector of data to the PEROM
196 P:000155 06D810    dor     n0,_write_loop
197     000004
198 P:000157 54D900    move    x:(r1)+,a1    ; Read a byte from the storage buffer
199 P:000158 07588C    move    a1,p:(r0)+    ; Write the byte to PEROM
200 P:000159 000000    nop
201     _write_loop
202     ; -- Now in PEROM's Data Protect State
203     ;-- Wait till ERASE/WRITE Cycle is complete
204 P:00015A 205000    move    (r0)-
205     ; Point to last PEROM's location
206 P:00015B 44F400    move    #>$FF,x0      ; Lower Byte Mask
207     0000FF
208
209     _write_wait
210 P:00015D 07E08D    move    p:(r0),b1     ; Get current value at PEROM location
211 P:00015E 20004E    and     x0,b          ; Mask for lower byte
212 P:00015F 20000D    cmp     a,b           ; Last value written = value in PEROM?
213 P:000160 0527DD    bne     _write_wait   ; No, wait until it is
214     ; Yes
215 P:000161 00000C    rts
216
217     ;-----

```

```

208          pgm_end
209
210          end      perom1

0      Errors
0      Warnings
    
```

6.2 512K × 8-Bit Boot/Overlay PEROM Example

The 512K × 8-bit bootstrap with X data space program overlay PEROM implementation uses the Atmel AT29LV040A device. See **Figure 24** for the boot memory map layout, **Figure 25** for the overlay memory map layout, **Figure 26** for the block diagram, and **Figure 29** for the schematic. A program placed in the PEROM can be loaded into the DSP at boot time, and then executed. The program can then load additional programs or data from the PEROM into the DSP using overlay techniques. The boot or overlay program can then save an updated version of the program or data back into the PEROM for later use.

The DSP core runs at 80 MHz and the input frequency source is a 4.000 MHz crystal. For a 200 nS PEROM, sixteen wait states are required. However, during the DSP boot sequence, the DSP generates thirty-one wait states to accommodate slow memories. At boot time the core for this example runs at 4.0 MHz, allowing a 7.7 mS access time device to be used. This 3.3 V device is organized as 512K × 8-bits with a 200 nS access time. One memory device is used to achieve the 8-bit wide boot bus.

During reset with Mode 1 selected, the DSP boot code configures Address Attribute Line 1 for program accesses in the address range \$D00000–\$DFFFFFF, as shown in **Figure 24**. The boot code then reads bytes from PEROM, packs them into 24-bit words, and stores them into program RAM. The first word, three packed bytes, read from the PEROM indicates the number of words to load. The second word from the PEROM contains the load address for the packed data. This is also the address to which control is transferred after the program load is completed. Under user program control, the AA1 can then be configured for X data space accesses in the address range \$100000–\$17FFFF, as shown in **Figure 25**. Address Attribute Line 0 can then be configured to select the upper half of the 512K PEROM by enabling PEROM A18 high when X:\$14FFFF–X:\$17FFFF is selected.

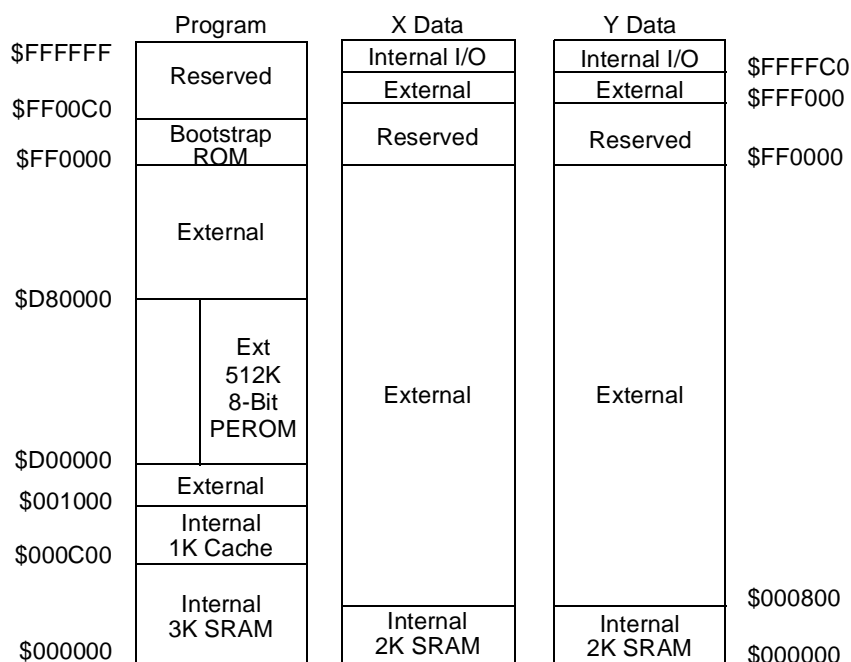


Figure 24. 512K × 8-Bit BOOT PEROM Memory Map

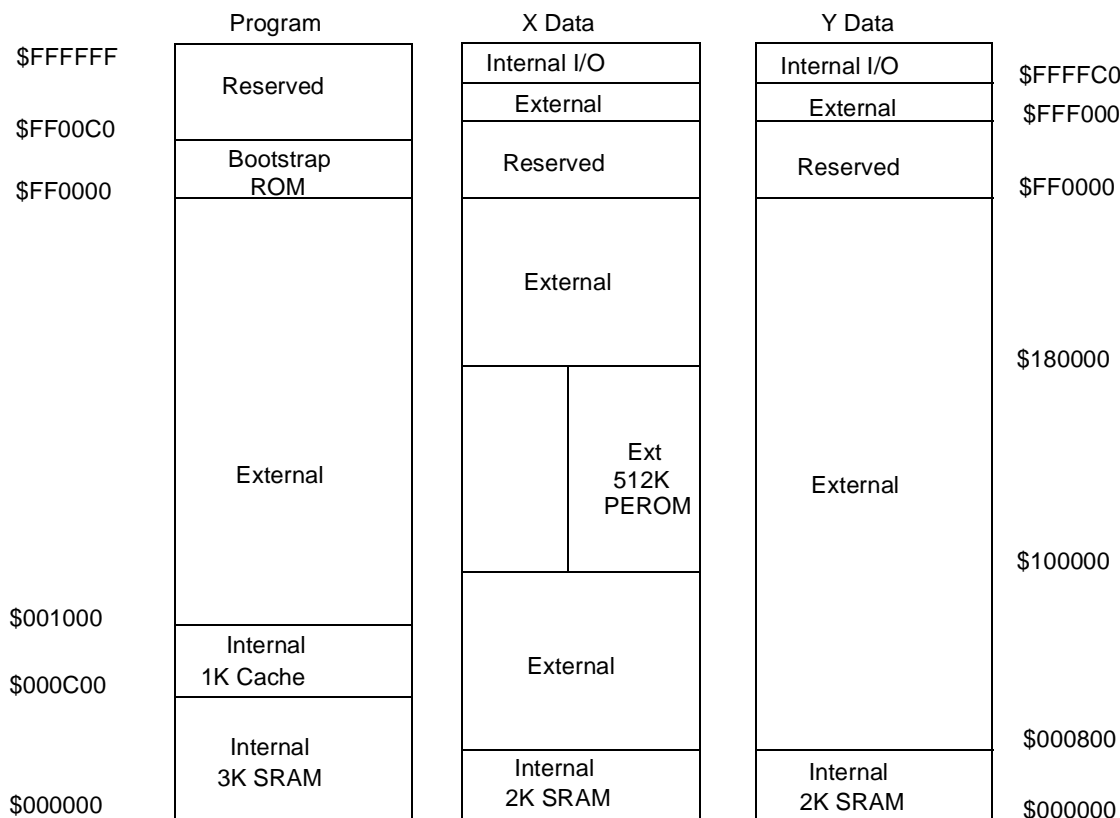


Figure 25. 512K x 8-bit Overlay PEROM Memory Map

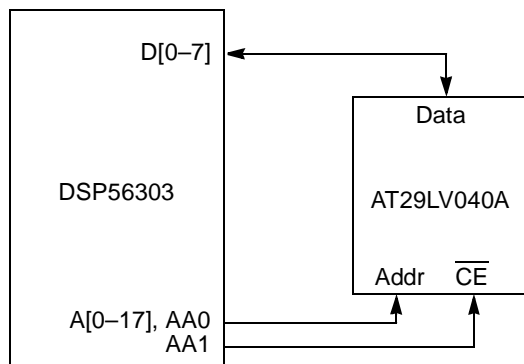


Figure 26. 512K x 8-Bit Boot/Overlay PEROM Block Diagram

6.2.1 PEROM Timing Requirements

For the PEROM device to work properly, its timing requirements must be met. Following are the timing requirements for the AT29LV040A-20 512K x 8-bit 200 nS Flash memory. **Table 11** shows the memory read timing specification values used in the memory read cycle timing diagram, **Figure 27**.

Table 11. AT29LV040A-20 Memory Read Timing Specifications

Read Cycle Parameter	Symbol	Min	Max
Address to Output Delay	t_{ACC}	—	200 nS
Chip Enable to Output Delay	t_{CE}	—	200 nS

Table 11. AT29LV040A-20 Memory Read Timing Specifications (Continued)

Read Cycle Parameter	Symbol	Min	Max
Output Enable to Output Delay	t_{OE}	0 nS	100 nS
Output Hold Time from Address, \overline{CE} or \overline{OE} . Whichever occurs first.	t_{OH}	0 nS	—

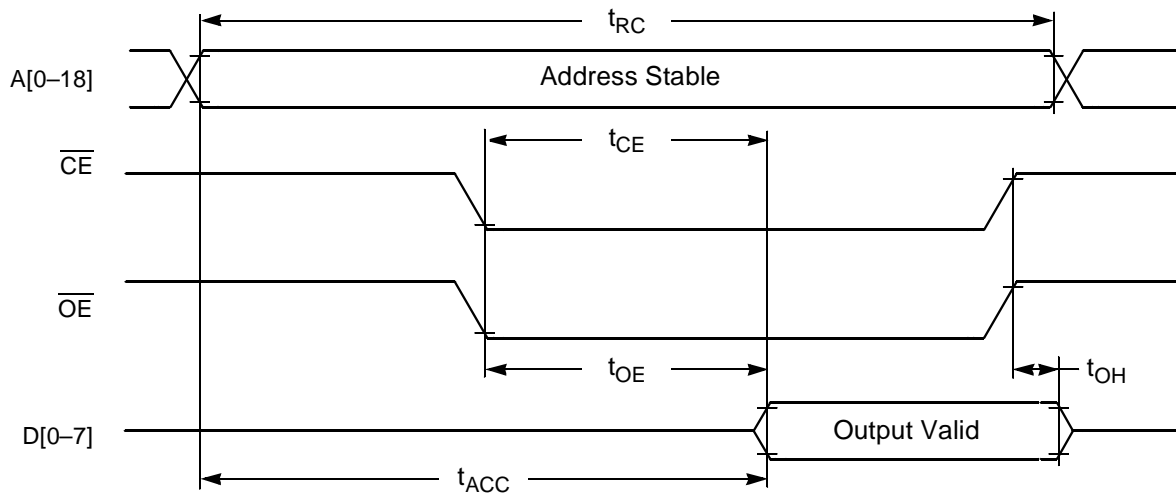
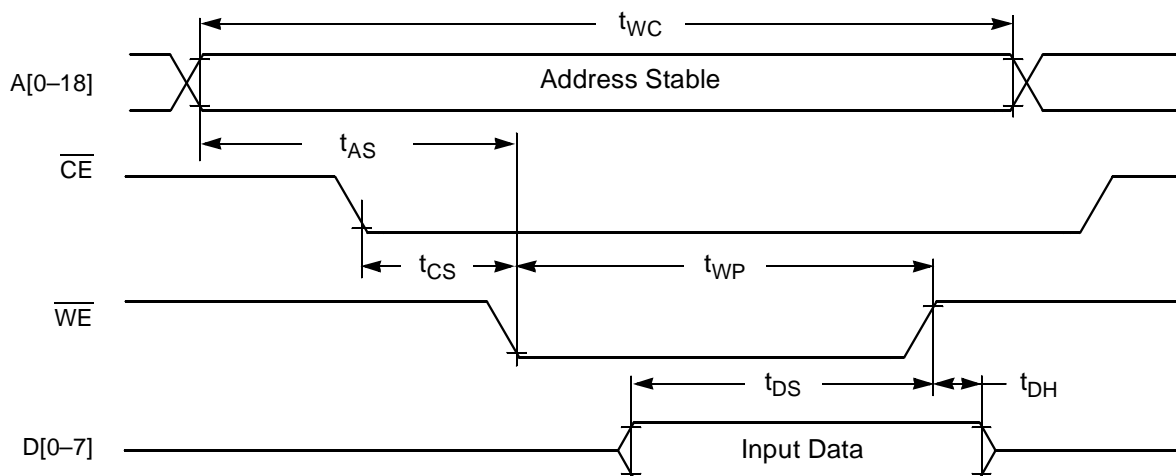

Figure 27. AT29LV040A Memory Read Cycle Timing Diagram

Table 12 shows the memory write timing specification values used in the memory write cycle timing diagram, **Figure 28**.

Table 12. AT29LV049A-20 Memory Write Timing Specifications

Write Cycle Parameter	Symbol	Min	Max
Write Cycle Time (for Programming)	t_{WC}	—	20 mS
Address set-up Time	t_{AS}	10 nS	—
\overline{CE} set-up Time	t_{CS}	0 nS	—
Write Pulse Width	t_{WP}	200 nS	—
Data set-up Time	t_{DS}	100 nS	—
Data Hold Time	t_{DH}	10 nS	—


Figure 28. AT29LV040A Memory Write Cycle Timing Diagram.

Non-volatile memory locations in the PEROM cannot be individually programmed. However, a sector consisting of 256 locations can be programmed. The AT29LV040 device is organized as 2048 sectors of 256 bytes each, and to erase a memory location the sector it resides in must be erased. Writing to a PEROM memory location requires writing a complete sector, or 256 bytes of data, to the PEROM in the following sequence:

1. Write \$0000AA to location \$5555 relative to the PEROM
2. Write \$000055 to location \$2AAA relative to the PEROM
3. Write \$0000A0 to location \$5555 relative to the PEROM
4. Write 256 bytes of 8-bit data to sector in the PEROM
5. Read last sector address until data read = data written.

Note: Only the last eight bits of a 24-bit word are significant.

6.2.2 DSP56303 Port A Timing Requirements and Register Settings

For most efficient use of the 512K × 8-bit Boot/Overlay PEROM memory configuration, set the core speed of the DSP for optimum processor and memory performance using the DSP PLL and Clock Generation (PCTL) register. For this example, the DSP core runs at 80 MHz and the input frequency source is a 4.000 MHz crystal. The PCTL register value combines the following bits for each feature:

- Desired Core Frequency = 80 MHz
- Given the External Frequency = 4.000 MHz
- Predivider value = 1, bits 20–23 = \$0
- Low-power Divider value = 1, bits 12–14 = \$0
- VCO Multiplication value = 20, bits 0–11 = \$013
- Crystal less than 200 kHz, bit 15 = 0
- Disable XTAL drive output, bit 16 = 0
- PLL runs during STOP, bit 17 = 1
- Enable PLL operation, bit 18 = 1
- Disable core clock output, bit 19 = 1

The value loaded into the PCTL register is \$0E0013.

AA1 enables, via PEROM \overline{CE} , external 512K PEROM bank accesses in the address range \$100000–\$17FFFF during X data space requests. Configure the memory address space requirements for AA1 using the Address Attribute Register 1 (AAR1). The AAR1 value combines the following bits for each feature:

- Specify the external memory access type as asynchronous SRAM, bits 0–1 = \$1.
- Pull the AA pin high when selected, bit 2 = 0.
- Activate the AA pin during external program space accesses, bit 3 = 0.
- Activate the AA pin during external X data space accesses, bit 4 = 1.
- Activate the AA pin during external Y data space accesses, bit 5 = 0.

- Move the eight least significant bits of the address to the eight most significant bits of the external address bus, bit 6 = 0.
- Enable the internal packing/unpacking logic during external DMA accesses, bit 7 = 1.
- Specify the number of address bits to compare, bits 8–11 = \$5.
- Specify the most significant portion of the address to compare, bits 12–23 = \$100.

The value loaded into the AAR1 is \$100591.

Address Attribute Pin 0 (AA0) selects, via PEROM A18, the upper addresses of the external 512K PEROM memory bank accesses in the address range from \$140000 to \$17FFFF during Program space requests. Configure the memory address space requirements for AA0 using the Address Attribute Register 0 (AAR0). The AAR0 value combines the following bits for each feature:

- Specify the external memory access type as asynchronous SRAM, bits 0–1 = \$1.
- Pull the AA pin high when selected, bit 2 = 1.
- Activate the AA pin during external program space accesses, bit 3 = 0.
- Activate the AA pin during external X data space accesses, bit 4 = 1.
- Activate the AA pin during external Y data space accesses, bit 5 = 0.
- Move the eight least significant bits of the address to the eight most significant bits of the external address bus, bit 6 = 0.
- Enable the internal packing/unpacking logic during external DMA accesses, bit 7 = 1.
- Specify the number of address bits to compare, bits 8–11 = \$6.
- Specify the most significant portion of the address to compare, bits 12–23 = \$140.

The value loaded into the AAR0 is \$140695.

The value loaded into AAR2 and AAR3 is \$000000.

Select the proper number of wait states for the memory configuration using the Bus Control Register (BCR). The BCR value combines the following bits for each feature:

- Address attribute area 0 wait states, bits 0–4 = \$10.
- Address attribute area 1 wait states, bits 5–9 = \$10.
- Address attribute area 2 wait states, bits 10–12 = \$0.
- Address attribute area 3 wait states, bits 13–15 = \$0.
- Default address area wait states, bits 16–20 = \$0.
- Bus state status, bit 21 = 0.
- Enable Bus Lock Hold, bit 22 = 0.
- Enable Bus Request Hold, bit 23 = 0.

The value loaded into the BCR is \$000210.

Configure the operating mode and external memory controls using the Operating Mode Register (OMR). The OMR value combines the following bits for each feature:

- MA–MD bits specify the DSP operating mode, bits 0–3 = \$0.

- External Bus Disable bit disables the external bus controller for power conservation when external memory is not used, bit 4 = \$0.
- Memory Switch Mode bit reconfigures internal memory spaces, bit 7 = \$0.
- Transfer Acknowledge Synchronize Select bit selects the synchronization method for the Transfer Acknowledge, TA, pin, bit 11 = \$0.
- Bus Release Timing bit selects between a fast and slow bus release of the \overline{BB} pin, bit 12 = \$0.
- Address Attribute Priority Disable bit allows the Address Attribute pins, AA0-AA3, to be used in any combination, bit 14 = \$1.
- All other OMR bits are selected for their defaults of \$0.

The value loaded into the OMR is \$004000.

Configure the memory mode of the DSP using the Status Register (SR). The SR value combines the following bits for each feature:

- Sixteen-bit Compatibility Mode enables full compatibility to object code written for the DSP56000 Family of DSPs, bit 13 = \$0.
- Instruction Cache Enable bit enables the instruction cache controller and changes the last 1K of internal program memory into cache memory, bit 19 = \$1.
- All other Status Register bits are selected for their defaults of \$0.

The value loaded into the SR is \$080000, which is the value loaded during reset.

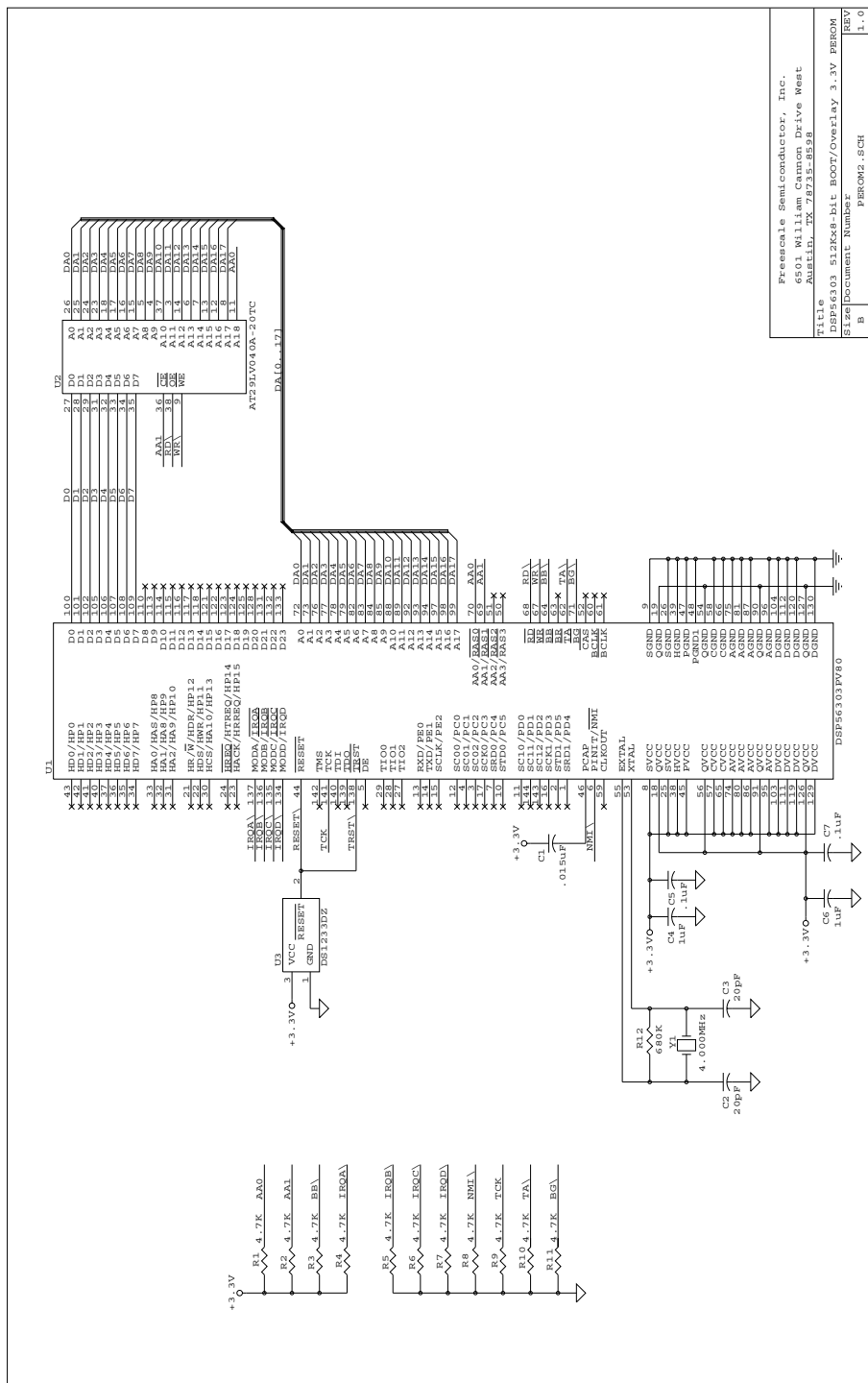


Figure 29. 512K x 8-Bit BOOT/Overlay PEROM Schematic

Example 5. 512K x 8-bit BOOT/Overlay Checksum Verify Program

Freescall DSP56300 Assembler Version 6.0.1.6 97-02-23 09:07:50 perom2.asm

```

1           page      132,60,3,3,
2           ;
3           ; perom2.asm - Simple program to calculate the 8-Bit Checksum for
4           ; a 512K x 8-Bit block of PEROM memory using a DSP56303.
5           ; Contains: Initialization routine,

```

```

6          ; Routine to calculate 8-Bit checksum,
7          ; Routine to read checksum sector,
8          ; Routine to write checksum sector.
9          ;
10         ; Program runs in Internal P:RAM to calculate the checksum on
11         ; External X:PEROM from $100000 - $17FFFF @ 16w/s
12         ;
13
14         100000 MemStart      equ    $100000
15         180000 MemEnd       equ    $180000
16         080000 MemSize      equ    MemEnd-MemStart ; Last Word is stored Checksum value
17
18         000100 SectorSize   equ    256             ; Size of Checksum Sector
19         SectorStart
20         17FF00              equ    MemEnd-SectorSize ; Start of Checksum Sector
21
22         ;--- Program Specific Storage Locations (X DATA SPACE)
23         NEW_CHECKSUM
24         000000              equ    $000000         ; Computed Checksum Value
25         OLD_CHECKSUM
26         000001              equ    $000001         ; Old Checksum from PEROM
27
28         000002 DataBuffer   equ    $000002         ; Start of Last Sector Storage Buffer
29                                     ; for 256 locations
30
31         ;--- DSP56303 Control Registers (X I/O SPACE)
32         FFFFFB BCR          equ    $FFFFFFB        ; Bus Control Register
33         FFFFFD PCTL         equ    $FFFFFFD        ; PLL Control Register
34         FFFFF9 AAR0         equ    $FFFFFF9        ; Address Attribute Register 0
35         FFFFF8 AAR1         equ    $FFFFFF8        ; Address Attribute Register 1
36
37         ;--- PCTL value = 0x0E0013
38         000000 prediv       equ    0              ; Predivider = 1
39         000000 lowdiv       equ    0              ; Low Power Divider = 1
40         000013 pllmul       equ    19             ; VCO Mult = 20; (19+1)*4.00MHz=80.00MHz
41         000000 crystal      equ    0              ; No, Crystal not less than 200kHz
42         000000 disXTAL      equ    0              ; No, do not disable crystal use
43         020000 pllstop      equ    $020000        ; Yes, PLL runs during STOP
44         040000 enpll        equ    $040000        ; Yes, enable PLL operation
45         080000 disclk       equ    $080000        ; Yes, disable CORE clock output
46         0E0013 PCTL_value   equ
prediv+lowdiv+pllmul+crystal+disXTAL+pllstop+enpll+disclk
47
48         ;--- AAR0 value = 0x140695
49         000001 acctype0     equ    1              ; External Memory access type = 0x1
50         000004 aahigh0      equ    $4             ; Enable AA0 pin high when selected
51         000000 aap0         equ    0              ; No, Enable AA0 pin on ext P access
52         000010 aax0         equ    $10            ; Yes, Enable AA0 pin on ext X access
53         000000 aay0         equ    0              ; No, Enable AA0 pin on ext Y access
54         000000 aswap0       equ    0              ; No, Enable address bus swap
55         000080 enpack0      equ    $80            ; Yes, Enable packing/unpacking logic
56         000600 nadd0        equ    $000600        ; Compare 6 address bits
57         140000 msadd0       equ    $140000        ; Most significant part of address,
58                                     ; $140000 - 17ffff, to compare.
59                                     ; (0001, 01xx, xxxx, xxxx, xxxx, xxxx)
60         140695 AAR0_value   equ    acctype0+aahigh0+aap0+aax0+aay0+aswap0+enpack0+nadd0+msadd0
61
62         ;--- AAR1 value = 0x100591
63         000001 acctype1     equ    1              ; External Memory access type = 0x1
64         000000 aahigh1      equ    0              ; Enable AA1 pin low when selected
65         000000 aap1         equ    0              ; No, Enable AA1 pin on ext 'P' accesses

```

```

66      000010 aax1      equ    $10    ; Yes, Enable AA1 pin on ext X access
67      000000 aay1      equ    0      ; No, Enable AA1 pin on ext Y access
68      000000 aswap1    equ    0      ; No, Enable address bus swap
69      000080 enpack1   equ    $80    ; Yes, Enable packing/unpacking logic
70      000500 nadd1     equ    $000500 ; Compare 5 address bits
71      100000 msadd1    equ    $100000 ; Most significant portion of address,
72                                     ; $100000 - 17ffff, to compare.
73                                     ; (0001,0xxx,xxxx,xxxx,xxxx,xxxx)
74      100591 AAR1_value equ
acctype1+aahigh1+aap1+aax1+aay1+aswap1+enpack1+nadd1+msadd1
75
76
77      ;--- BCR value = 0x000210
78      000010 aaa0ws    equ    $10    ; Address Attribute Area 0 w/s = 16
79      000200 aaa1ws    equ    $200   ; Address Attribute Area 1 w/s = 16
80      000000 aaa2ws    equ    0      ; Address Attribute Area 2 w/s = 0
81      000000 aaa3ws    equ    0      ; Address Attribute Area 3 w/s = 0
82      000000 defws     equ    0      ; Default Address Area w/s = 0
83      000000 busss     equ    0      ; Bus state status = 0
84      000000 enblh     equ    0      ; Enable Bus Lock Hold = 0
85      000000 enbrh     equ    0      ; Enable Bus Request Hold = 0
86      000210 BCR_value  equ    aaa0ws+aaa1ws+aaa2ws+aaa3ws+defws+busss+enblh+enbrh
87
88      ;-----
89      ;           Header for DSP56303 Boot Code
90      ;-----
91      P:0000FE          org    p:$100-2
92
93      P:0000FE          dc     pgm_end-perom2 ; Number of words in program
94      P:0000FF          dc     perom2        ; Starting address for program
95
96
97      ;-----
98      P:000100          org    p:$100        ;Keep program in internal RAM
99
100     perom2
101     P:000100 0D1080   bsr    init          ; Initialize DSP
102     000011
103     P:000102 0D1080   bsr    calc_checksum ; Calculate Checksum of PEROM
104     00001C
105     P:000104 548100   move   x:OLD_CHECKSUM,a1 ; Get PEROM Old Checksum
106     P:000105 558000   move   x:NEW_CHECKSUM,b1 ; Get Calculated Checksum
107     P:000106 20000D   cmp    a,b            ; Old Checksum = New Checksum?
108     P:000107 0D104A   beq    _done          ; Yes, we are done
109     000009
110     P:000109 0D1080   bsr    save_sector   ; Save contents of PEROM's Checksum
Sector
111     00002C
112     P:00010B 448000   move   x:NEW_CHECKSUM,x0 ; Get Calculated Checksum value
113     P:00010C 447000   move   x0,x:DataBuffer+SectorSize-1; Update Checksum
location in buffer
114     P:00010E 0D1080   bsr    write_sector  ; Write saved PEROM Checksum sector Data
115     000038
116     ; with New Checksum to PEROM
117     _done

```

```

117 P:000110 050C00 bra * ; DONE, Do a dynamic HALT
118
119
120 ;-----
121 ; Initialization Section
122 ;-----
123 init
124 P:000111 08F4BD movep #PCTL_value,x:PCTL ; Set PLL Control Register
0E0013
125 P:000113 05F43A movec #$004000,OMR ; Disable Address Attribute Priorities
004000
126 P:000115 05F439 movec #$080000,SR ; Enable 1K Cache
080000
127 P:000117 08F4BB movep #BCR_value,x:BCR ; Set external wait states
000210
128 P:000119 08F4B9 movep #AAR0_value,x:AAR0 ; Set Address Attribute Reg0
140695
129 P:00011B 08F4B8 movep #AAR1_value,x:AAR1 ; Set Address Attribute Reg1
100591
130
131 P:00011D 00000C rts
132
133 ;-----
134 ; Routine to Calculate 8-Bit Checksum
135 ;-----
136 calc_checksum
137 P:00011E 05F420 move #-1,m0 ; Set LINEAR addressing mode
FFFFFF
138 P:000120 60F400 move #MemStart,r0 ; Set Starting Address of PEROM
100000
139 P:000122 70F400 move #MemSize-1,n0 ; Set to Size of Flash Checksum
07FFFF
140
141 P:000124 200013 clr a
142 P:000125 20001B clr b
143 P:000126 540000 move a1,x:NEW_CHECKSUM ; Initialize computed checksum ->
$000000
144 P:000127 540100 move a1,x:OLD_CHECKSUM ; Initialize read checksum ->
$000000
145
146 ; Compute the 8-Bit Checksum
147 P:000128 44F400 move #>$FF,x0 ; Set lower Byte Mask
0000FF
148
149 P:00012A 06D810 dor n0,_ploop
000004
150 P:00012C 54D800 move x:(r0)+,a1 ; Get the PEROM location Value
151 P:00012D 200046 and x0,a ; Mask for lower byte
152 P:00012E 200018 add a,b ; Compute checksum
153 _ploop
154
155 P:00012F 54E000 move x:(r0),a1 ; Get PEROM Old Checksum value
156 P:000130 20004E and x0,b ; Limit calculated Checksum to lower
byte
157 P:000131 200046 and x0,a ; Limit Old Checksum to lower byte
158 P:000132 550000 move b1,x:NEW_CHECKSUM ; Save Computed Checksum
159 P:000133 540100 move a1,x:OLD_CHECKSUM ; Save Old Checksum value
160
161 P:000134 00000C rts
162

```

```

163          ;-----
164          ; Routine to Read a Sector of Data from the PEROM
165          ;       where the Checksum is stored
166          ;-----
167          save_sector
168 P:000135 310200      move   #DataBuffer,r1 ; Point to start of data storage buffer
169 P:000136 05F421      move   #-1,m1          ; Set modulo to linear
170          FFFFFFFF
171 P:000138 60F400      move   #SectorStart,r0 ; Point to Start of Sector in PEROM
172          17FF00
173 P:00013A70F400      move   #SectorSize,n0 ; Get size of Sector
174          000100
175 P:00013C 05F420      move   #-1,m0          ; Set modulo to linear
176          FFFFFFFF
177 P:00013E 44F400      move   #>$FF,x0        ; Lower Byte Mask
178          0000FF
179 P:000140 06D810      dor    n0,_read_loop
180          000004
181 P:000142 54D800      move   x:(r0)+,a1      ; Read a word from the PEROM sector
182 P:000143 200046      and    x0,a            ; Mask data to lower byte, ie $0000xx
183 P:000144 545900      move   a1,x:(r1)+     ; Save a word in storage buffer
184          _read_loop
185 P:000145 00000C rts
186          ;-----
187          ; Routine to Place PEROM into ERASE/WRITE MODE and send it the sector of
188          ;-----
189          write_sector
190 P:000146 310200      move   #DataBuffer,r1 ; Point to start of data storage buffer
191 P:000147 05F421      move   #-1,m1          ; Set modulo to linear
192          FFFFFFFF
193 P:000149 60F400      move   #SectorStart,r0 ; Point to Start of Sector in PEROM
194          17FF00
195 P:00014B 70F400      move   #SectorSize,n0 ; Get size of sector
196          000100
197 P:00014D 05F420      move   #-1,m0          ; Set modulo to linear
198          FFFFFFFF
199 P:00014F 44F400      move   #>$AA,x0
200          0000AA
201 P:000151 447000      move   x0,x:MemStart+$5555 ; Unlock PEROM Cycle #1
202          105555
203 P:000153 44F400      move   #>$55,x0
204          000055
205 P:000155 447000      move   x0,x:MemStart+$2AAA ; Unlock PEROM Cycle #2
206          102AAA
207 P:000157 44F400      move   #>$A0,x0
208          0000A0
209 P:000159 447000      move   x0,x:MemStart+$5555 ; Send PEROM Write Command
210          105555
211          ; -- PEROM Writes now enabled

```

```

206      ;-- Send a Sector of data to the PEROM
207 P:00015B 06D810      dor      n0,_write_loop
          000004
208 P:00015D 54D900      move    x:(r1)+,a1      ; Read byte from storage buffer
209 P:00015E 545800      move    a1,x:(r0)+      ; Write the byte to PEROM
210 P:00015F 000000      nop
211      _write_loop
212                                     ; -- Now in PEROM Data Protect State
213      ;-- Wait till ERASE/WRITE Cycle is complete
214 P:000160 205000      move    (r0)-          ; Point to last PEROM location
215 P:000161 44F400      move    #>$FF,x0      ; Lower Byte Mask
          0000FF
216
217      _write_wait
218 P:000163 55E000      move    x:(r0),b1      ; Get value at PEROM location
219 P:000164 20004E      and     x0,b           ; Mask for lower byte
220 P:000165 20000D      cmp     a,b           ; Last value written = value in
PEROM?
221 P:000166 0527DD      bne    _write_wait      ; No, wait until it is
222                                     ; Yes
223 P:000167 00000C      rts
224
225      ;-----
226      pgm_end
227
228      end      perom2

0      Errors
0      Warnings

```

6.3 32K × 16-Bit X Data and Y Data PEROM Example

The 32K × 16-bit X data and 32K × 16-bit Y data memory PEROM implementation uses the Atmel AT29LV1024-20. See **Figure 30** for the memory map layout and **Figure 31** for the block diagram. Sixteen-bit coefficient and data arrays are stored externally in non-volatile storage so that results from previous operations can be stored before power is removed and recalled on power-up.

The DSP core runs at 80 MHz and the input frequency source is a 4.000 MHz crystal. For a 200 nS Flash memory, sixteen wait states are required. This 3.3 V device is organized as 64K × 16-bits with a 200 nS access time. One memory device is used to achieve the 16-bit wide X data and Y data buses. **Figure 34** shows the schematic for this example.

AA1 is configured to select the PEROM device when an X data or Y data space access in the address range \$100000–\$107FFF. AA0 is configured to select the 64K PEROM between 32K of X data space and 32K of Y data space. The address attribute implementation details are discussed in **Section 6.3.2, DSP56303 Port A Timing Requirements and Register Settings**, on page 75 and the program listing in **Example 6** on page 78.

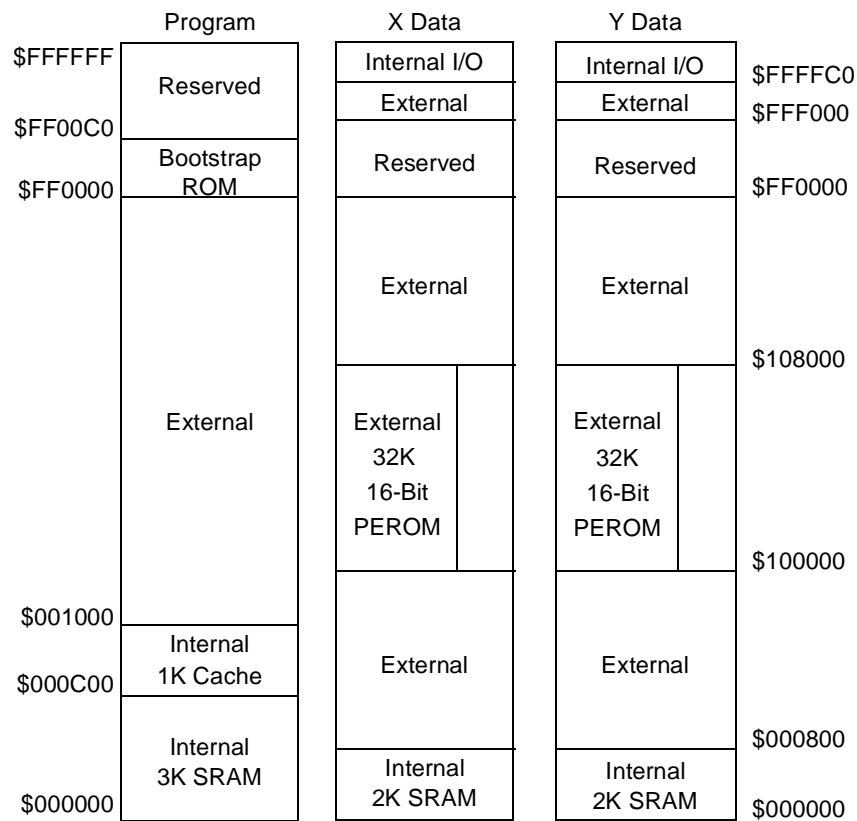


Figure 30. 32K × 16 X Data and 32K × 16 Y Data Memory Map

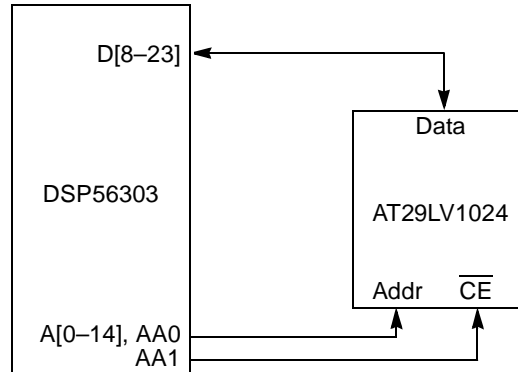


Figure 31. 32K × 16-Bit X Data and 32K × 16 Y Data PEROM Block Diagram

6.3.1 PEROM Timing Requirements

Following are the timing requirements for the AT29LV1024-20 64K × 16-bit 200 nS PEROM. **Table 13** shows the memory read timing specification values used in the memory read cycle timing diagram, **Figure 32**.

Table 13. AT29LV1024-20 Memory Read Timing Specifications

Read Cycle Parameter	Symbol	Min	Max
Read Cycle Time	t_{RC}	200 nS	—
Address to Output Delay	t_{ACC}	—	200 nS
Chip Enable to Output Delay	t_{CE}	—	200 nS

Table 13. AT29LV1024-20 Memory Read Timing Specifications

Read Cycle Parameter	Symbol	Min	Max
Output Enable to Output Delay	t_{OE}	—	100 nS
Output Hold Time from Address, \overline{CE} or \overline{OE} . Whichever occurs first.	t_{OH}	0 nS	—

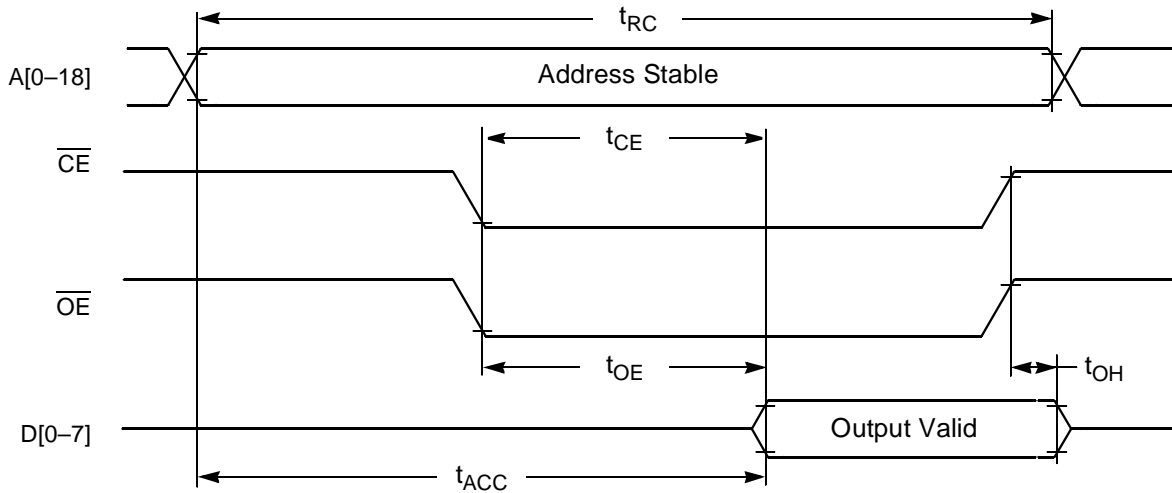


Figure 32. AT29LV1024 Memory Read Cycle Timing Diagram.

Table 14 shows the memory write timing specification values used in the memory write cycle timing diagram, **Figure 33**.

Table 14. AT29LV1024-20 Memory Write Timing Specifications

Write Cycle Parameter	Symbol	Min	Max
Write Cycle Time (during Program)	t_{WC}	—	20 mS
Address set-up Time	t_{AS}	0 nS	—
\overline{CE} set-up Time	t_{CS}	0 nS	—
Write Pulse Width	t_{WP}	200 nS	—
Data set-up Time	t_{DS}	100 nS	—
Data Hold Time	t_{DH}	0 nS	—

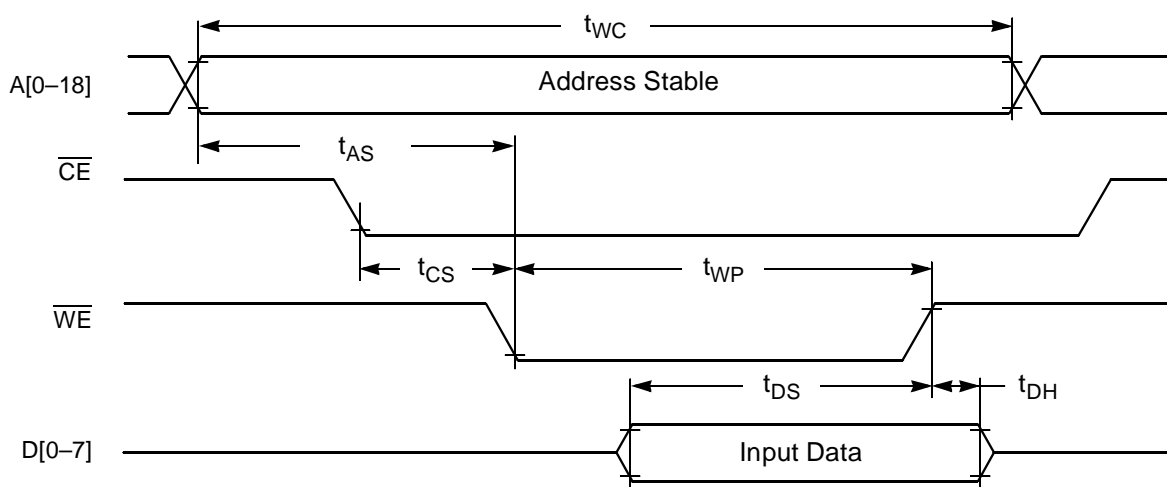


Figure 33. AT29LV1024 Memory Write Cycle Timing Diagram.

Non-volatile memory locations in the PEROM cannot be programmed individually, but must be programmed as a sector of 128 locations. The AT29LV1024 device is organized as 512 sectors of 128 16-bit words. To program a memory location, the entire sector it resides in must be programmed. No separate erase cycle exists; the program cycle erases and programs the entire sector as one operation.

Writing to a PEROM memory location requires writing a complete sector, or 128 words of data, to the PEROM in the following sequence:

1. Write \$AAAA00 to location \$5555 relative to the PEROM.
2. Write \$555500 to location \$2AAA relative to the PEROM.
3. Write \$A0A000 to location \$5555 relative to the PEROM.
4. Write 128 words of 16-bit data to the sector in the PEROM.
5. Read the last address in the sector until data written = data read.

Note: Only upper sixteen bits of a 24-bit word are significant.

6.3.2 DSP56303 Port A Timing Requirements and Register Settings

For optimal use of the 32K × 16-bit X data and 32K × 16-bit Y data space memory configuration, set up the following DSP control registers.

Set the core speed of the DSP for optimum processor and memory performance using the DSP PLL and Clock Generation (PCTL) register. For this example, the DSP core runs at 80 MHz and the input frequency source is a 4.000 MHz crystal. The PCTL value combines the following bits for each feature:

- Desired core frequency = 80 MHz
- Given the external frequency = 4.000 MHz
- Predivider value = 1, bits 20–23 = \$0
- Low-power divider value = 1, bits 12–14 = \$0
- V_{CO} multiplication value = 20, bits 0–11 = \$013

- Crystal less than 200 kHz, bit 15 = 0
- Disable XTAL drive output, bit 16 = 0
- PLL runs during STOP, bit 17 = 1
- Enable PLL operation, bit 18 = 1
- Disable core clock output, bit 19 = 1

The value loaded into PCTL is \$0E0013.

AA1 enables, via PEROM \overline{CE} , external 32K PEROM bank accesses in the address range \$100000–\$107FFF during X data and Y data space requests. Configure the memory address space requirements for AA1 using the Address Attribute Register 1 (AAR1). The AAR1 value combines the following bits for each feature:

- Specify the external memory access type as asynchronous SRAM, bits 0–1 = \$1.
- Pull the AA pin high when selected, bit 2 = 0.
- Activate the AA pin during external program space accesses, bit 3 = 0.
- Activate the AA pin during external X data space accesses, bit 4 = 1.
- Activate the AA pin during external Y data space accesses, bit 5 = 1.
- Move the eight least significant bits of the address to the eight most significant bits of the external address bus, bit 6 = 0.
- Enable the internal packing/unpacking logic during external DMA accesses, bit 7 = 0.
- Specify the number of address bits to compare, bits 8–11 = \$9.
- Specify the most significant portion of the address to compare, bits 12–23 = \$100.

The value loaded into the AAR1 is \$100931.

AA0 switches, via PEROM A15, between X data and Y data space 32K PEROM bank accesses in the address range \$100000–\$107FFF during X data and Y data space requests. Configure the memory address space requirements for AA0 using Address Attribute Register 0 (AAR0). The AAR0 value combines the following bits for each feature:

- Specify the external memory access type as asynchronous SRAM, bits 0–1 = \$1.
- Pull the AA pin high when selected, bit 2 = 1.
- Activate the AA pin during external program space accesses, bit 3 = 0.
- Activate the AA pin during external X data space accesses, bit 4 = 1.
- Activate the AA pin during external Y data space accesses, bit 5 = 0.
- Move the eight least significant bits of the address to the eight most significant bits of the external address bus, bit 6 = 0.
- Enable the internal packing/unpacking logic during external DMA accesses, AAR0 bit 7 = 0.
- Specify the number of address bits to compare, bits 8–11 = \$9.
- Specify the most significant portion of the address to compare, bits 12–23 = \$100.

The value loaded into the AAR0 is \$100915; the value loaded into AAR2 and AAR3 is \$00000.

Select the proper number of wait states for the memory configuration using the Bus Control Register (BCR). The BCR value combines the following bits for each feature:

- Address attribute area 0 wait states, bits 0–4 = \$10.
- Address attribute area 1 wait states, bits 5–9 = \$10.
- Address attribute area 2 wait states, bits 10–12 = \$0.
- Address attribute area 3 wait states, bits 13–15 = \$0.
- Default address area wait states, bits 16–20 = \$0.
- Bus state status, bit 21 = 0.
- Enable Bus Lock Hold, bit 22 = 0.
- Enable Bus Request Hold, bit 23 = 0.

The value loaded into the BCR is \$000210.

Configure the operating mode and external memory controls using the Operating Mode Register (OMR). The OMR value combines the following bits for each feature:

- MA–MD bits specify DSP operating mode, bits 0–3 = \$0.
- External Bus Disable bit disables the external bus controller for power conservation when external memory is not used, bit 4 = \$0.
- Memory Switch Mode bit reconfigures internal memory spaces, bit 7 = \$0.
- Transfer Acknowledge Synchronize Select bit selects the synchronization method for the Transfer Acknowledge, TA, pin, bit 11 = \$0.
- Bus Release Timing bit selects between a fast and slow bus release of the \overline{BB} pin, bit 12 = \$0.
- Address Attribute Priority Disable bit allows the Address Attribute pins, AA0–AA3, to be used in any combination, bit 14. = \$1.
- All other OMR bits are selected for their defaults of \$0.

The value loaded into the OMR is \$004000.

Configure the memory mode of the DSP using the Status Register (SR). The SR value combines the following bits for each feature:

- Sixteen-Bit Compatibility Mode enables full compatibility to object code written for the DSP56000 Family of DSPs, Bit 13 = \$0.
- Instruction Cache Enable bit enables the instruction cache controller and changes the last 1K of internal program memory into cache memory, Bit 19 = \$1.
- All other Status Register bits are selected for their defaults of \$0.

The value loaded into the SR is \$080000, which is the value loaded during reset.

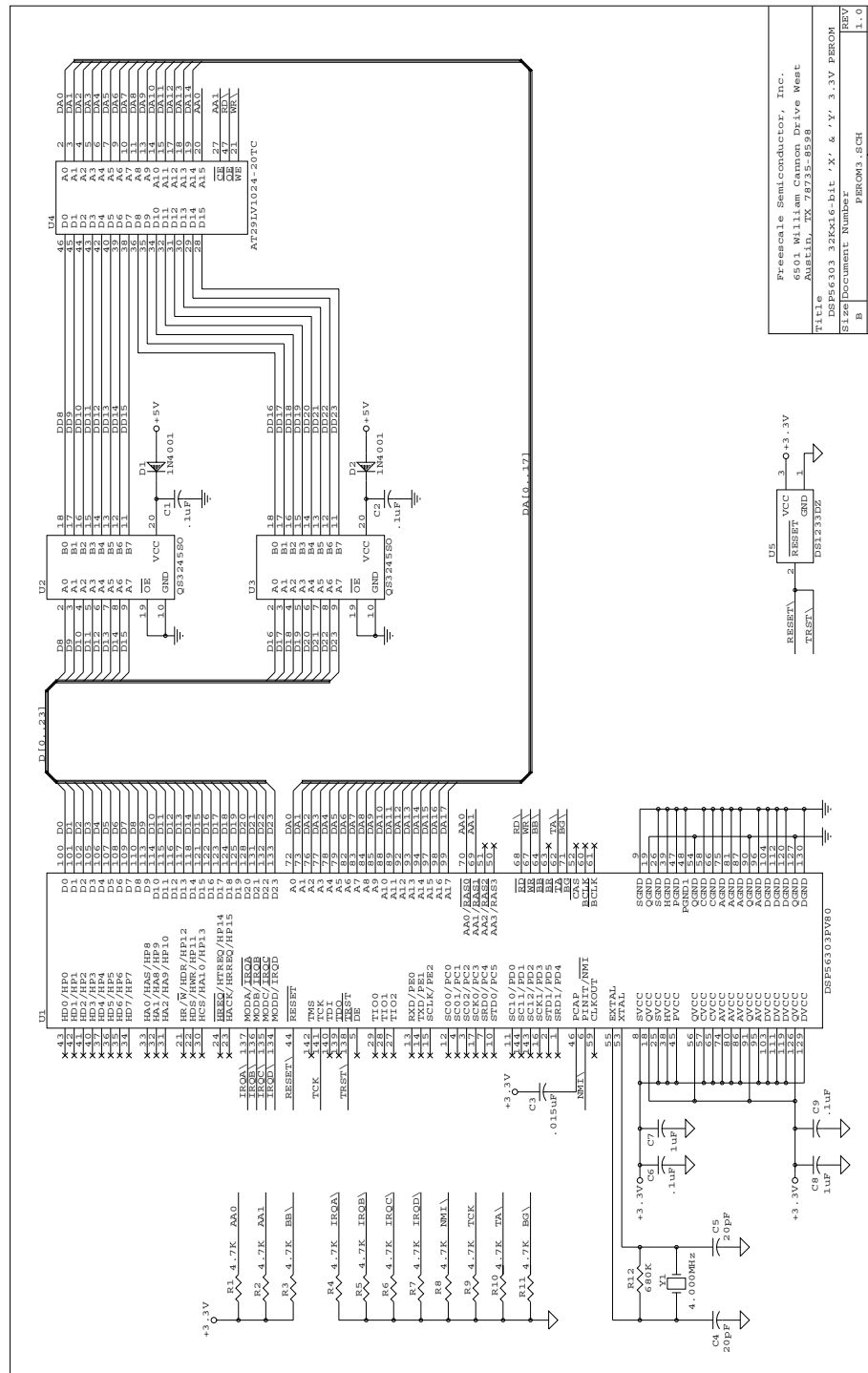


Figure 34. 32K x 16-Bit X and 32K x 16-Bit Y Data Space PEROM Schematic
Example 6. 32K x 16-bit X and Y Space PEROM Checksum Verify Program

Freescale DSP56300 Assembler Version 6.0.1.6 97-02-23 09:26:58 perom3.asm

```

1           page    132,60,3,3,
2           ;
3           ; perom3.asm, program to calculate the 16-Bit Checksum for
4           ; two 32K x 16-Bit blocks of PEROM memory using a DSP56303.
    
```

```

5          ; Contains: Initialization routine,
6          ;                               Routine to calculate 16-Bit checksum,
7          ;                               Routine to read checksum sector,
8          ;                               Routine to write checksum sector.
9          ;
10         ; The program runs in Internal P:RAM to calculate the checksum on
11         ;     External X:PEROM from $100000 - $107FFF @ 16w/s and
12         ;     External Y:PEROM from $100000 - $107FFF @ 16w/s.
13         ;
14
15     100000 MemStart      equ    $100000
16     180000 MemEnd       equ    $180000
17     080000 MemSize      equ    MemEnd-MemStart ; Last Word is stored Checksum value
18
19     000080 SectorSize   equ    128             ; Size of Checksum Sector
20     SectorStart
21     17FF80              equ    MemEnd-SectorSize ; Start of Checksum Sector
22
23     ;--- Program Specific Storage Locations (X DATA SPACE)
24     NEW_X_CHECKSUM
25     000000              equ    $000000         ; X SPACE Computed Checksum Value
26     OLD_X_CHECKSUM
27     000001              equ    $000001         ; X SPACE Old Checksum from PEROM
28     NEW_Y_CHECKSUM
29     000002              equ    $000002         ; Y SPACE Computed Checksum Value
30     OLD_Y_CHECKSUM
31     000003              equ    $000003         ; Y SPACE Old Checksum from PEROM
32
33     000004 DataBuffer   equ    $000004         ; Start of Last Sector Storage Buffer
34     ; for 128 locations
35
36     ;--- DSP56303 Control Registers (X I/O SPACE)
37     FFFFFB BCR          equ    $FFFFFFB        ; Bus Control Register
38     FFFFFD PCTL         equ    $FFFFFFD        ; PLL Control Register
39     FFFF9 AAR0          equ    $FFFF9         ; Address Attribute Register 0
40     FFFF8 AAR1          equ    $FFFF8         ; Address Attribute Register 1
41
42     ;--- PCTL value = 0x0E0013
43     000000 prediv       equ    0              ; Pre-Divider = 1
44     000000 lowdiv       equ    0              ; Low Power Divider = 1
45     000013 pllmul       equ    19            ; VCO Mult = 20; (19+1)*4.00MHz=80.00MHz
46     000000 crystal      equ    0              ; No, Crystal not less than 200kHz
47     000000 disXTAL     equ    0              ; No, do not disable crystal use
48     020000 pllstop     equ    $020000        ; Yes, PLL runs during STOP
49     040000 enpll       equ    $040000        ; Yes, enable PLL operation
50     080000 disclk      equ    $080000        ; Yes, disable CORE clock output
51     0E0013 PCTL_value  equ
prediv+lowdiv+pllmul+crystal+disXTAL+pllstop+enpll+disclk
52
53     ;--- AAR0 value = 0x100915
54     000001 acctype0    equ    1              ; External Memory access type = 0x1
55     000004 aahigh0     equ    $4             ; Enable AA0 pin high when selected
56     000000 aap0        equ    0              ; No, Enable AA0 pin on ext P access
57     000010 aax0        equ    $10           ; Yes, Enable AA0 pin on ext X access
58     000000 aay0        equ    0              ; No, Enable AA0 pin on ext Y access
59     000000 aswap0      equ    0              ; No, Enable address bus swap
60     000000 enpack0     equ    0              ; No, Enable packing/unpacking logic
61     000900 nadd0       equ    $000900        ; Compare 9 address bits
62     100000 msadd0      equ    $100000        ; Most significant portion of address,
63     ; $100000 - 107fff, to compare.

```

```

64                                     ; (0001,0000,0xxx,xxxx,xxxx,xxxx)
65     100915 AAR0_value    equ
acctype0+aaahigh0+aap0+aaax0+aay0+aswap0+enpack0+nadd0+msadd0
66
67     ;--- AAR1 value = 0x100931
68     000001 acctype1     equ    1           ; External Memory access type = 0x1
69     000000 aaahigh1     equ    0           ; Enable AA1 pin to be low when selected
70     000000 aap1         equ    0           ; No, Enable AA1 pin on ext P access
71     000010 aaax1        equ    $10        ; Yes, Enable AA1 pin on ext X access
72     000020 aay1         equ    $20        ; Yes, Enable AA1 pin on ext Y access
73     000000 aswap1       equ    0           ; No, Enable address bus swap
74     000000 enpack1      equ    0           ; No, Enable packing/unpacking logic
75     000900 nadd1        equ    $000900    ; Compare 9 address bits
76     100000 msadd1       equ    $100000    ; Most significant portion of address,
77                                     ; $100000 - 107fff, to compare.
78                                     ; (0001,0000,0xxx,xxxx,xxxx,xxxx)
79     100931 AAR1_value    equ
acctype1+aaahigh1+aap1+aaax1+aay1+aswap1+enpack1+nadd1+msadd1
80
81
82     ;--- BCR value = 0x000210
83     000010 aaa0ws       equ    $10        ; Address Attribute Area 0 w/s = 16
84     000200 aaalws       equ    $200      ; Address Attribute Area 1 w/s = 16
85     000000 aaa2ws       equ    0         ; Address Attribute Area 2 w/s = 0
86     000000 aaa3ws       equ    0         ; Address Attribute Area 3 w/s = 0
87     000000 defws        equ    0         ; Default Address Area w/s = 0
88     000000 busss        equ    0         ; Bus state status = 0
89     000000 enblh        equ    0         ; Enable Bus Lock Hold = 0
90     000000 enbrh        equ    0         ; Enable Bus Request Hold = 0
91     000210 BCR_value     equ    aaa0ws+aaalws+aaa2ws+aaa3ws+defws+busss+enblh+enbrh
92
93     ;-----
94     P:000100             org    p:$100      ; Keep the program in internal RAM
95
96     perom3
97     P:0001000D1080      bsr    init        ; Initialize DSP
98     00001F
99     P:0001020D1080      bsr    calc_x_checksum ; Calculate Checksum of X:PEROM
100    00002A
101    P:000104548100      move   x:OLD_X_CHECKSUM,a1 ; Get X:PEROM Old Checksum value
102    P:000105558000      move   x:NEW_X_CHECKSUM,b1 ; Get Calculated Checksum value
103    P:00010620000D      cmp    a,b           ; Old Checksum = New Checksum?
104    P:0001070D104A      beq    _do_y_perom ; Yes, we are done
105    000009
106    P:0001090D1080      bsr    save_x_sector ; Save contents of X:PEROM Checksum
Sector
107    00003A
108    P:00010B448000      move   x:NEW_X_CHECKSUM,x0 ; Get Calculated Checksum value
109    P:00010C447000      move   x0,x:DataBuffer+SectorSize-1; Update Checksum location in
buffer
110    P:00010E0D1080      bsr    write_x_sector ; Write saved X:PEROM Checksum sector
Data
111    000045
112                                     ; with New Checksum value to X:PEROM
-----

```



```

113         _do_y_perom
114 P:0001100D1080      bsr    calc_y_checksum ; Calculate Checksum of Y:PEROM
          000064
115
116 P:000112548300      move   x:OLD_Y_CHECKSUM,a1 ; Get Y:PEROM Old Checksum value
117 P:000113558200      move   x:NEW_Y_CHECKSUM,b1 ; Get Calculated Checksum value
118 P:00011420000D      cmp    a,b                ; Old Checksum = New Checksum?
119 P:0001150D104A      beq    _done              ; Yes, we are done
          000009
120
          ; No
121 P:0001170D1080      bsr    save_y_sector ; Save contents of Y:PEROM Checksum
Sector
          000074
122
123 P:000119448200      move   x:NEW_Y_CHECKSUM,x0 ; Get Calculated Checksum value
124 P:00011A447000      move   x0,x:DataBuffer+SectorSize-1; Update Checksum
location in buffer
          000083
125 P:00011C0D1080      bsr    write_y_sector ; Write saved Y:PEROM Checksum sector
Data
          00007F
126
          ; with New Checksum value to Y:PEROM
127
128         _done
129 P:00011E050C00      bra    *                  ; DONE, Do a dynamic HALT
130
131
132         ;-----
133         ; Initialization Section
134         ;-----
135         init
136 P:00011F08F4BD      movep  #PCTL_value,x:PCTL ; Set PLL Control Register
          0E0013
137 P:00012105F43A      movec  #$004000,OMR ; Disable Address Attribute Priorities
          004000
138 P:00012305F439      movec  #$080000,SR ; Enable 1K Cache
          080000
139 P:00012508F4BB      movep  #BCR_value,x:BCR ; Set external wait states
          000210
140 P:00012708F4B9      movep  #AAR0_value,x:AAR0; Set Address Attribute Reg0
          100915
141 P:00012908F4B8      movep  #AAR1_value,x:AAR1 ; Set Address Attribute Reg1
          100931
142
143 P:00012B00000C      rts
144
145         ;-----
146         ; Routine to Calculate 16-Bit Checksum in X:PEROM
147         ;-----
148         calc_x_checksum
149 P:00012C05F420      move   #-1,m0            ; Set LINEAR addressing mode
          FFFFFFFF
150 P:00012E60F400      move   #MemStart,r0     ; Set Starting Address of PEROM
          100000
151 P:00013070F400      move   #MemSize-1,n0   ; Set to Size of Flash - Checksum
          07FFFF
152
153 P:000132200013      clr   a
154 P:00013320001B      clr   b

```

```

155 P:000134540000      move  a1,x:NEW_X_CHECKSUM ; Initialize computed checksum ->
$000000
156 P:000135540100      move  a1,x:OLD_X_CHECKSUM ; Initialize read checksum ->
$000000
157
158           ; Compute the 16-Bit Checksum
159 P:00013644F400      move  #$FFFF00,x0        ; Set 16-Bit Mask
      FFFF00
160
161 P:00013806D810      dor   n0,_ploop
      000004
162 P:00013A54D800      move  x:(r0)+,a1        ; Get the PEROM location Value
163 P:00013B200046      and   x0,a              ; Mask for lower byte
164 P:00013C200018      add   a,b              ; Compute checksum
165       _ploop
166
167 P:00013D54E000      move  x:(r0),a1        ; Get PEROM's Old Checksum value
168 P:00013E20004E      and   x0,b              ; Limit calculated Checksum
169 P:00013F200046      and   x0,a              ; Limit Old Checksum value
170 P:000140550000      move  b1,x:NEW_X_CHECKSUM ; Save Computed Checksum value
171 P:000141540100      move  a1,x:OLD_X_CHECKSUM ; Save the Old Checksum value
172
173 P:00014200000C      rts
174
175           ;-----
176           ; Routine to Read a Sector of Data from the X:PEROM
177           ;       where the Checksum is stored
178           ;-----
179       save_x_sector
180 P:000143310400      move  #DataBuffer,r1 ; Point to start of data storage buffer
181 P:00014405F421      move  #-1,m1          ; Set modulo to linear
      FFFFFFFF
182
183 P:00014660F400      move  #SectorStart,r0 ; Point to Start of Sector in PEROM
      17FF80
184 P:000148388000      move  #SectorSize,n0 ; Get size of Sector
185 P:00014905F420      move  #-1,m0          ; Set modulo to linear
      FFFFFFFF
186
187 P:00014B44F400      move  #$FFFF00,x0     ; Set 16-Bit Mask
      FFFF00
188
189 P:00014D06D810      dor   n0,_read_loop
      000004
190 P:00014F54D800      move  x:(r0)+,a1      ; Read a word from the PEROM sector
191 P:000150200046      and   x0,a            ; Mask data, ie $xxxx00
192 P:000151545900      move  a1,x:(r1)+     ; Save off a word in storage buffer
193       _read_loop
194
195 P:000152 00000C rts
196
197           ;-----
198           ; Routine to Place X:PEROM into ERASE/WRITE MODE
199           ;       and send it the sector of Data
200           ;-----
201       write_x_sector
202 P:000153310400      move  #DataBuffer,r1 ; Point to start of data storage buffer
203 P:00015405F421      move  #-1,m1          ; Set modulo to linear
      FFFFFFFF
204

```

```

205 P:00015660F400      move   #SectorStart,r0   ; Point to Start of Sector in PEROM
      17FF80
206 P:000158388000      move   #SectorSize,n0    ; Get size of sector
207 P:00015905F420      move   #-1,m0            ; Set modulo to linear
      FFFFFFFF
208
209      ;-- Place PEROM into ERASE/WRITE MODE
210 P:00015B44F400      move   #AAAA00,x0
      AAAA00
211 P:00015D4C7000      move   x0,y:MemStart+$5555; Unlock PEROM Cycle #1
      105555
212
213 P:00015F44F400      move   #$555500,x0
      555500
214 P:0001614C7000      move   x0,y:MemStart+$2AAA; Unlock PEROM Cycle #2
      102AAA
215
216 P:00016344F400      move   #A0A000,x0
      A0A000
217 P:0001654C7000      move   x0,y:MemStart+$5555; Send PEROM Write Command
      105555
218
      ; -- PEROM Writes are now enabled
219      ;-- Send a Sector of data to the PEROM
220 P:00016706D810      dor    n0,_write_loop
      000004
221 P:00016954D900      move   x:(r1)+,a1        ; Read a byte from the storage buffer
222 P:00016A545800      move   a1,x:(r0)+        ; Write the byte to PEROM
223 P:00016B000000      nop
224      _write_loop
225
      ; -- Now in PEROM Data Protect State
226      ;-- Wait till ERASE/WRITE Cycle is complete
227 P:00016C205000      move   (r0)-             ; Point to last PEROM's location
228 P:00016D44F400      move   #FFFF00,x0        ; Set 16-Bit Mask
      FFFF00
229
230      _write_wait
231 P:00016F55E000      move   x:(r0),b1         ; Get current value at PEROM location
232 P:00017020004E      and    x0,b               ; Mask for lower byte
233 P:00017120000D      cmp    a,b                ; Last value written = value in
PEROM?
234 P:0001720527DD      bne    _write_wait       ; No, wait until it is
235                                     ; Yes
236 P:00017300000C      rts
237
238      ;-----
239      ; Routine to Calculate 16-Bit Checksum in Y:PEROM
240      ;-----
241      calc_y_checksum
242 P:00017405F420      move   #-1,m0            ; Set LINEAR addressing mode
      FFFFFFFF
243 P:00017660F400      move   #MemStart,r0      ; Set Starting Address of PEROM
      100000
244 P:00017870F400      move   #MemSize-1,n0     ; Set to Size of Flash - Checksum
      07FFFF
245
246 P:00017A200013      clr    a
247 P:00017B20001B      clr    b
248 P:00017C540200      move   a1,x:NEW_Y_CHECKSUM ; Initialize computed checksum ->
$000000

```

```

249 P:00017D540300      move    a1,x:OLD_Y_CHECKSUM ; Initialize read checksum ->
$000000
250
251                ; Compute the 16-Bit Checksum
252 P:00017E44F400      move    #$FFFF00,x0        ; Set 16-Bit Mask
                FFFF00
253
254 P:00018006D810      dor     n0,_ploop
                000004
255 P:0001825CD800      move    y:(r0)+,a1        ; Get the PEROM location Value
256 P:000183200046      and     x0,a              ; Mask for lower byte
257 P:000184200018      add     a,b              ; Compute checksum
                _ploop
258
259
260 P:0001855CE000      move    y:(r0),a1        ; Get PEROM's Old Checksum value
261 P:00018620004E      and     x0,b              ; Limit calculated Checksum
262 P:000187200046      and     x0,a              ; Limit Old Checksum value
263 P:000188550200      move    b1,x:NEW_Y_CHECKSUM ; Save Computed Checksum value
264 P:000189540300      move    a1,x:OLD_Y_CHECKSUM ; Save the Old Checksum value
265
266 P:00018A00000C      rts
267
268                ;-----
269                ; Routine to Read a Sector of Data from the Y:PEROM
270                ;       where the Checksum is stored
271                ;-----
272                save_y_sector
273 P:00018B310400      move    #DataBuffer,r1 ; Point to start of data storage buffer
274 P:00018C05F421      move    #-1,m1          ; Set modulo to linear
                FFFFFFFF
275
276 P:00018E60F400      move    #SectorStart,r0 ; Point to Start of Sector in PEROM
                17FF80
277 P:000190388000      move    #SectorSize,n0  ; Get size of Sector
278 P:00019105F420      move    #-1,m0          ; Set modulo to linear
                FFFFFFFF
279
280 P:00019344F400      move    #$FFFF00,x0        ; Set 16-Bit Mask
                FFFF00
281
282 P:00019506D810      dor     n0,_read_loop
                000004
283 P:0001975CD800      move    y:(r0)+,a1        ; Read a word from the PEROM sector
284 P:000198200046      and     x0,a              ; Mask data, ie $xxxx00
285 P:000199545900      move    a1,x:(r1)+       ; Save off a word in storage buffer
                _read_loop
286
287
288 P:00019A00000C      rts
289
290                ;-----
291                ; Routine to Place Y:PEROM into ERASE/WRITE MODE
292                ;       and send it the sector of Data
293                ;-----
294                write_y_sector
295 P:00019B310400      move    #DataBuffer,r1 ; Point to start of data storage buffer
296 P:00019C05F421      move    #-1,m1          ; Set modulo to linear
                FFFFFFFF
297
298 P:00019E60F400      move    #SectorStart,r0 ; Point to Start of Sector in PEROM
                17FF80

```

```

299 P:0001A0388000    move    #SectorSize,n0    ; Get size of sector
300 P:0001A105F420    move    #-1,m0            ; Set modulo to linear
      FFFFFFFF
301
302      ;-- Place PEROM into ERASE/WRITE MODE
303 P:0001A344F400    move    #AAAA00,x0
      AAAA00
304 P:0001A54C7000    move    x0,y:MemStart+$5555; Unlock PEROM Cycle #1
      105555
305
306 P:0001A744F400    move    #$555500,x0
      555500
307 P:0001A94C7000    move    x0,y:MemStart+$2AAA; Unlock PEROM Cycle #2
      102AAA
308
309 P:0001AB44F400    move    #A0A000,x0
      A0A000
310 P:0001AD4C7000    move    x0,y:MemStart+$5555; Send PEROM Write Command
      105555
311
      ; -- PEROM Writes are now enabled
312      ;-- Send a Sector of data to the PEROM
313 P:0001AF06D810    dor     n0,_write_loop
      000004
314 P:0001B154D900    move    x:(r1)+,a1        ; Read a byte from the storage buffer
315 P:0001B25C5800    move    a1,y:(r0)+        ; Write the byte to PEROM
316 P:0001B3000000    nop
317      _write_loop
318
      ; -- Now in PEROM Data Protect State
319      ;-- Wait till ERASE/WRITE Cycle is complete
320 P:0001B4205000    move    (r0)-            ; Point to last PEROM's location
321 P:0001B544F400    move    #FFFF00,x0      ; Set 16-Bit Mask
      FFFF00
322
323      _write_wait
324 P:0001B75DE000    move    y:(r0),b1        ; Get current value at PEROM location
325 P:0001B820004E    and     x0,b             ; Mask for lower byte
326 P:0001B920000D    cmp     a,b              ; Last value written = value in PEROM?
327 P:0001BA0527DD    bne    _write_wait      ; No, wait until it is
328
      ; Yes
329 P:0001BB00000C    rts
330
331      ;-----
332
333      end    perom3

0      Errors
0      Warnings

```

7 Advantages

Flash and PEROM memory offer non-volatile memory storage with a reasonable speed and flexible memory configuration capabilities for the DSP56300 Family. Flash and PEROM memory allow the DSP to load programs and run immediately after reset, as required in an embedded application. Programs stored in Flash or PEROM non-volatile memory can be read and run directly as 24-bit data, or indirectly as 8-bit data by using the DSP DMA controller to access, pack, and store the data into DSP program memory. Programs and data can be stored in Flash or PEROM non-volatile memory without the need to remove the device from the board, promoting convenient program and data updates.

Because PEROM devices use smaller sector sizes than Flash devices, less system RAM is required to update sectors in PEROM devices than in Flash devices. PEROM sector sizes typically range from 64–512 memory locations, but Flash sectors range from 8–64 K memory locations. For bulk Flash memory, the whole device is in effect one sector. Less RAM is therefore needed to read a PEROM sector, make the required changes, and write the modified sector back to the PEROM device. However, Flash devices have the advantage that a single (unprogrammed) location can be programmed without saving and reloading the entire sector. Therefore, data can be added progressively to Flash memory without sector saving and reloading.

7.1 Disadvantages

Flash and PEROM memory have a limited number of reprogram cycles. The reprogram cycle limit for Flash devices is approximately 100,000 write/erase cycles. The reprogram cycle limit for PEROM devices is approximately 10,000 write/erase cycles. If Flash and PEROM memory are used properly and are not reprogrammed continually, these reprogram limits suffice for most applications.

Flash and PEROM memories require a special program to execute when the memories are written or programmed. This programming process requires approximately two orders of magnitude longer than a read access.

Some Flash memory architectures have large sectors that require special storage or handling when reprogramming is desired. All data to be written to Flash memory must be stored in local memory or transferred from an external source during the reprogramming process.

Flash and PEROM memories are not as fast as fast static RAM, so a DSP slows down for Flash and PEROM accesses. Data read access times from Flash and PEROM are approximately one order of magnitude longer than from fast static RAM.

7.2 Speed Selection

For Flash and PEROM memory speed selection, the critical timing specification used is typically based on the Flash and PEROM data access time, t_{AA} . However, all timing specifications must be met and should always be reviewed for compliance.

How to Reach Us:

Home Page:

www.freescale.com

E-mail:

support@freescale.com

USA/Europe or Locations not listed:

Freescale Semiconductor
Technical Information Center, CH370
1300 N. Alma School Road
Chandler, Arizona 85224
+1-800-521-6274 or +1-480-768-2130
support@freescale.com

Europe, Middle East, and Africa:

Freescale Halbleiter Deutschland GMBH
Technical Information Center
Schatzbogen 7
81829 München, Germany
+44 1296 380 456 (English)
+46 8 52200080 (English)
+49 89 92103 559 (German)
+33 1 69 35 48 48 (French)
support@freescale.com

Japan:

Freescale Semiconductor Japan Ltd.
Headquarters
ARCO Tower 15F
1-8-1, Shimo-Meguro, Meguro-ku,
Tokyo 153-0064, Japan
0120 191014 or +81 3 5437 9125
support.japan@freescale.com

Asia/Pacific:

Freescale Semiconductor Hong Kong Ltd.
Technical Information Center
2 Dai King Street
Tai Po Industrial Estate
Tai Po, N.T. Hong Kong
+800 2666 8080

For Literature Requests Only:

Freescale Semiconductor Literature Distribution Center
P.O. Box 5405
Denver, Colorado 80217
1-800-441-2447 or 303-675-2140
Fax: 303-675-2150
LDCForFreescaleSemiconductor@hibbertgroup.com

Information in this document is provided solely to enable system and software implementers to use Freescale Semiconductor products. There are no express or implied copyright licenses granted hereunder to design or fabricate any integrated circuits or integrated circuits based on the information in this document.

Freescale Semiconductor reserves the right to make changes without further notice to any products herein. Freescale Semiconductor makes no warranty, representation or guarantee regarding the suitability of its products for any particular purpose, nor does Freescale Semiconductor assume any liability arising out of the application or use of any product or circuit, and specifically disclaims any and all liability, including without limitation consequential or incidental damages. "Typical" parameters which may be provided in Freescale Semiconductor data sheets and/or specifications can and do vary in different applications and actual performance may vary over time. All operating parameters, including "Typicals" must be validated for each customer application by customer's technical experts. Freescale Semiconductor does not convey any license under its patent rights nor the rights of others. Freescale Semiconductor products are not designed, intended, or authorized for use as components in systems intended for surgical implant into the body, or other applications intended to support or sustain life, or for any other application in which the failure of the Freescale Semiconductor product could create a situation where personal injury or death may occur. Should Buyer purchase or use Freescale Semiconductor products for any such unintended or unauthorized application, Buyer shall indemnify and hold Freescale Semiconductor and its officers, employees, subsidiaries, affiliates, and distributors harmless against all claims, costs, damages, and expenses, and reasonable attorney fees arising out of, directly or indirectly, any claim of personal injury or death associated with such unintended or unauthorized use, even if such claim alleges that Freescale Semiconductor was negligent regarding the design or manufacture of the part.

Freescale™ and the Freescale logo are trademarks of Freescale Semiconductor, Inc. StarCore is a licensed trademark of StarCore LLC. All other product or service names are the property of their respective owners.

© Freescale Semiconductor, Inc. 1999, 2005.