

SOT1174-1

Standard product orientation 12NC ending 115

Rev. 02 — 27 July 2011

Packing information

1. Packing method

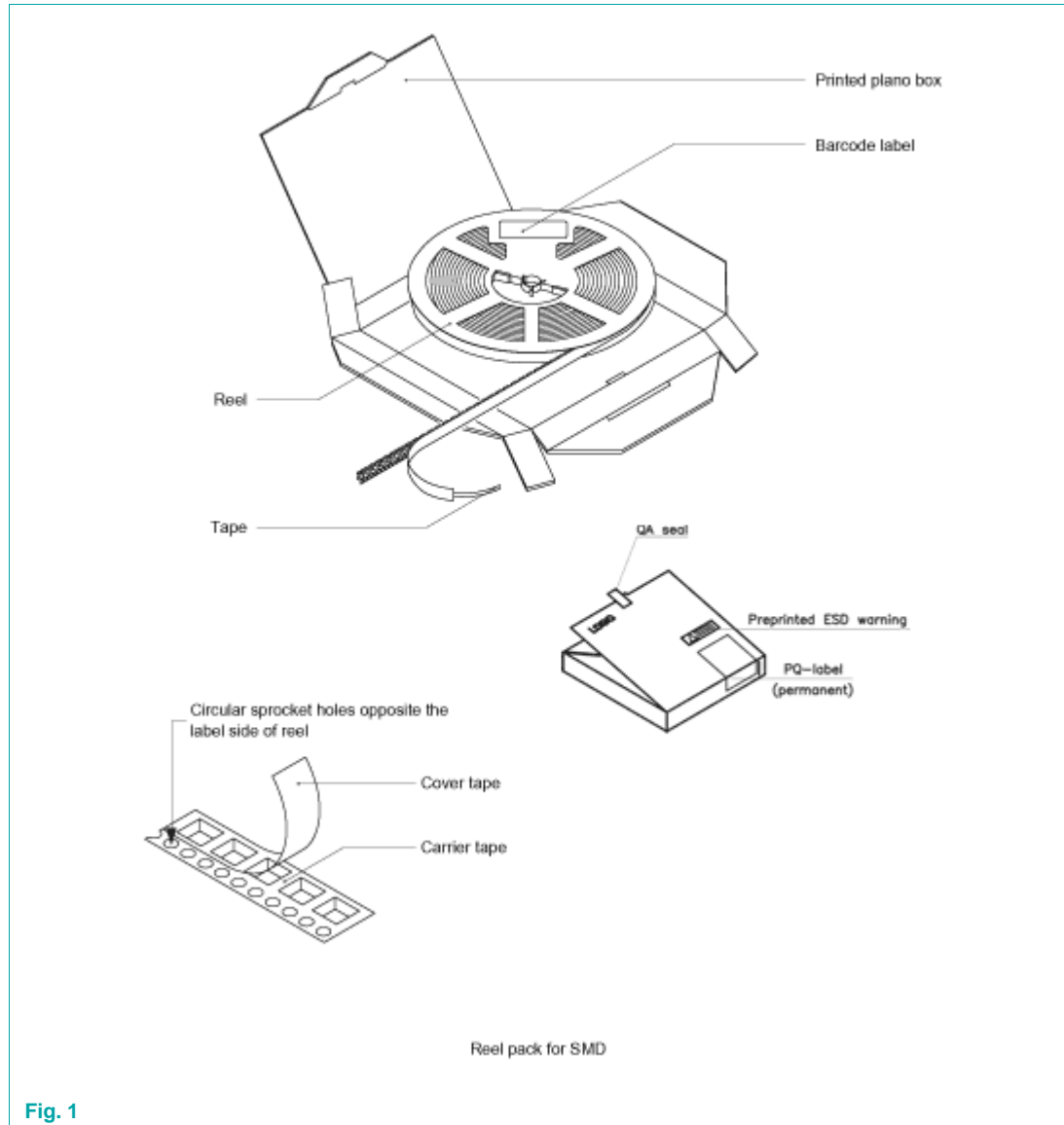
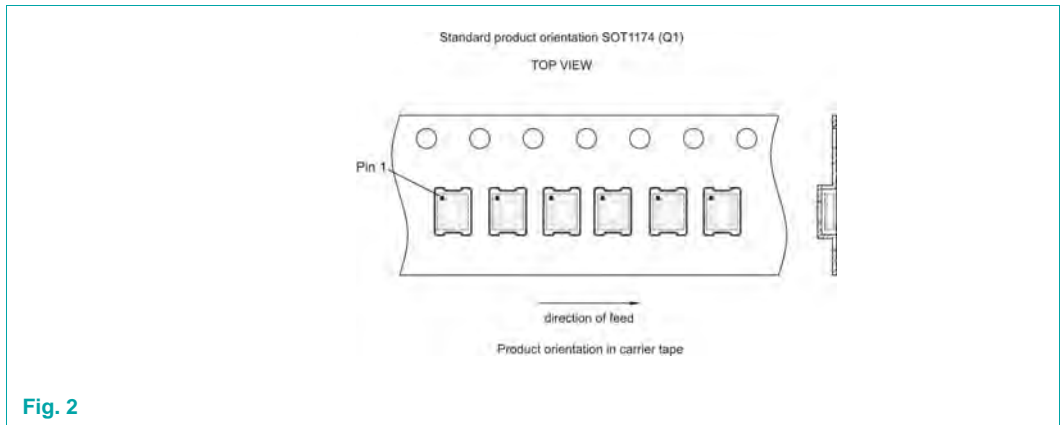


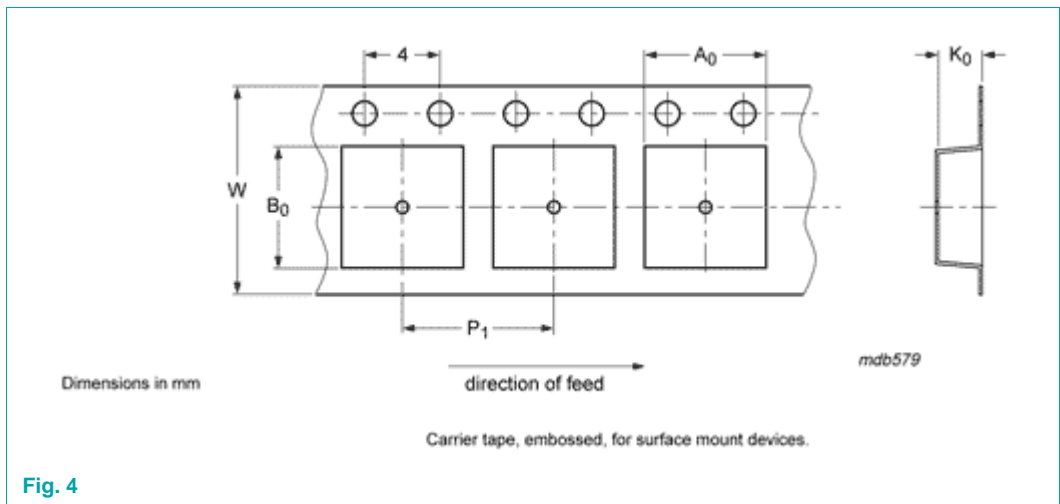
Fig. 1

| Package version | 12NC ending | Reel dimensions d x w (mm) | SPQ/PQ (pcs) | Reels per box | Outer box dimensions l x w x h (mm) |
|-----------------|-------------|----------------------------|--------------|---------------|-------------------------------------|
| SOT1174-1 | 115 | 180 x 8 | 4000 | 1 | 185 x 185 x 14 |

2. Product orientation



3. Carrier tape dimensions



| 12NC ending | A ₀ (mm) | B ₀ (mm) | K ₀ (mm) | T (mm) | P ₁ (mm) | W (mm) |
|-------------|---------------------|---------------------|---------------------|--------|---------------------|--------|
| 115 | 2.00 | 2.30 | 0.75 | - | 4.0 | 8 |

4. Carrier tape dimensions

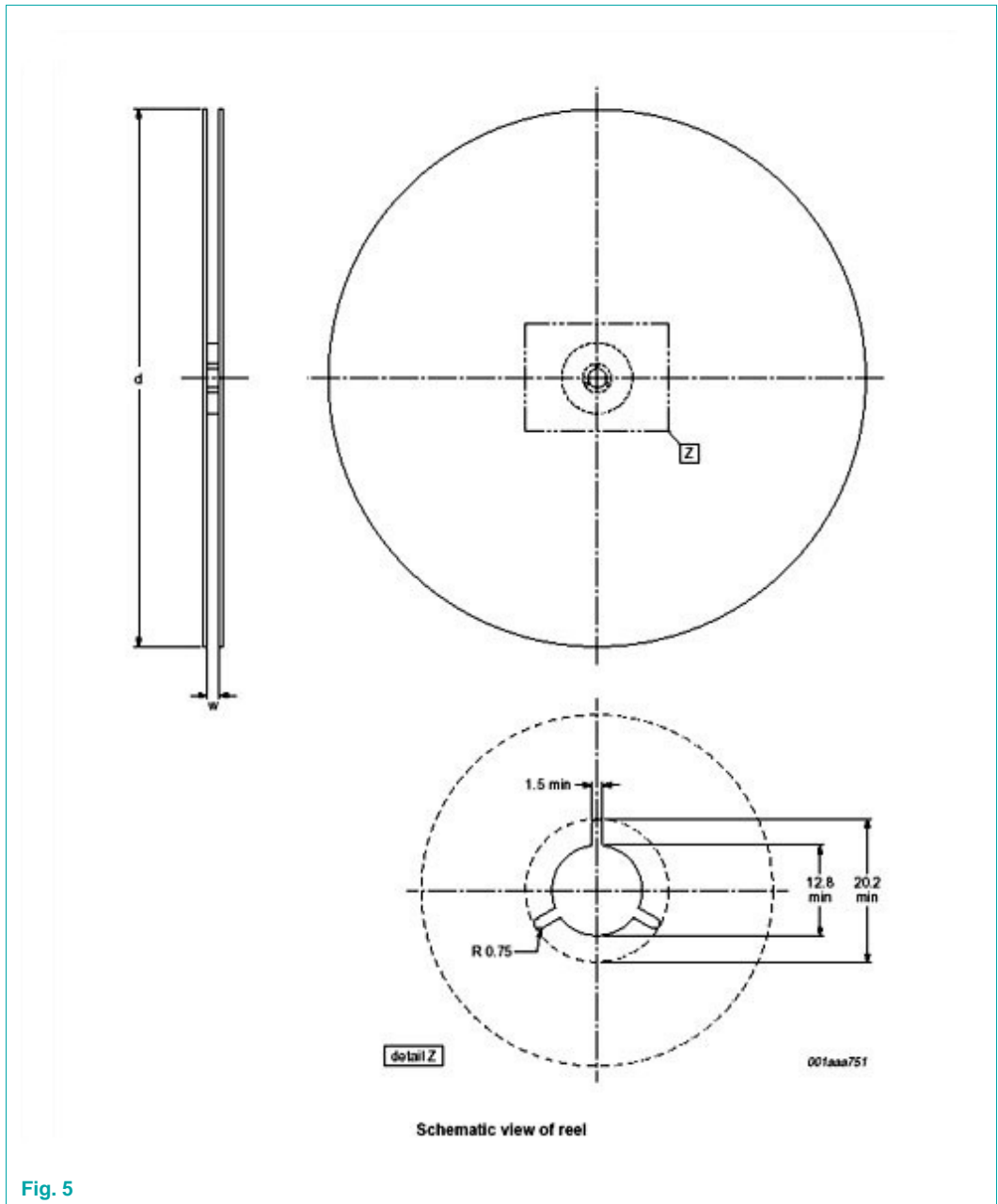


Fig. 5

| Package version | 12NC ending | Reel dimensions d x w (mm) | SPQ/PQ (pcs) |
|-----------------|-------------|----------------------------|--------------|
| SOT1174-1 | 115 | 180 x 8 | 4000 |

5. Barcode label tape and box information

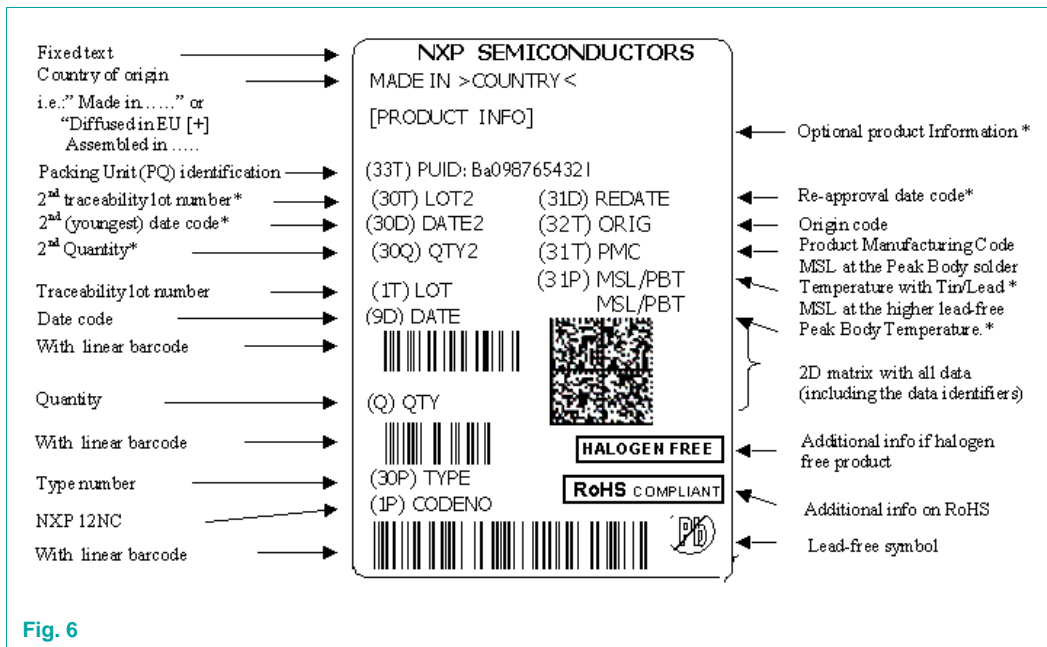


Fig. 6

Label dimensions

l x w (mm)

100 x 75



Reproduction in whole or in part is prohibited without the prior written consent of the copyright owner. The information presented in this document does not form part of any quotation or contract, is believed to be accurate and reliable and may be changed without notice. No liability will be accepted by the publisher for any consequence of its use. Publication thereof does not convey nor imply any license under patent- or other industrial or intellectual property rights.

© NXP B.V. 2007. All rights reserved.

For more information, please visit: <http://www.nxp.com>
 For sales office addresses, email to: salesaddresses@nxp.com

Date of release: 27 July 2011
 Document identifier: SOT1174-1_2