

SOT815-1

DHVQFN24; Reel sulfur barrier pack, SMD, 13"
Q1/T1 standard product orientation
Orderable part number ending ,431 or Z
Ordering code (12NC) ending 431

Rev. 1.1 — 26 June 2015

Packing information

1. Packing method

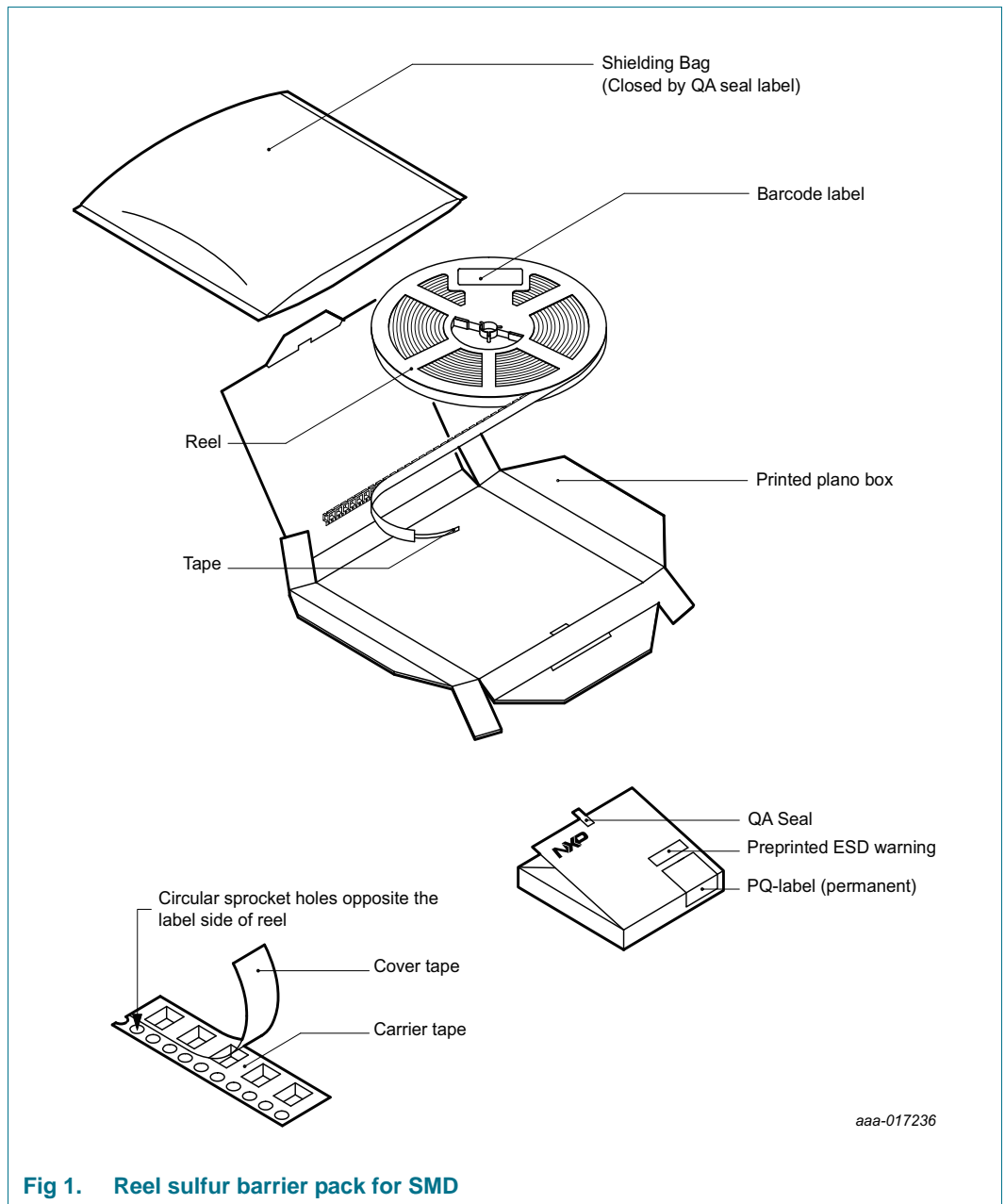


Fig 1. Reel sulfur barrier pack for SMD



DHVQFN24; Reel sulfur barrier pack, SMD, 13"
 Q1/T1 standard product orientation
 Orderable part number ending ,431 or Z
 Ordering code (12NC) ending 431

Table 1. Dimensions and quantities

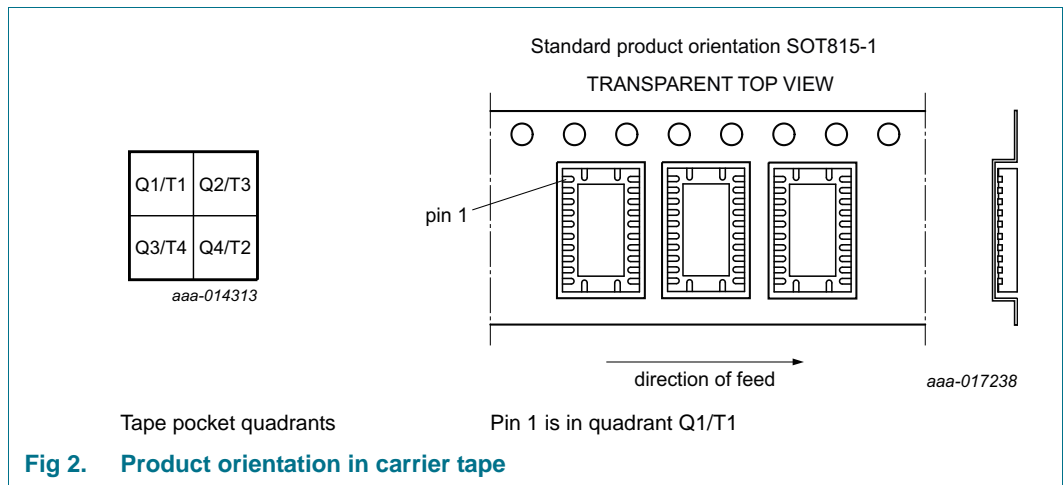
Reel dimensions d × w (mm) [1]	SPQ/PQ (pcs) [2]	Reels per box	Outer box dimensions l × w × h (mm)
330 × 12	3000	1	342 × 338 × 27

[1] d = reel diameter; w = tape width.

[2] Packing quantity dependent on specific product type.

View ordering and availability details at [NXP order portal](#), or contact your local NXP representative.

2. Product orientation



3. Carrier tape dimensions

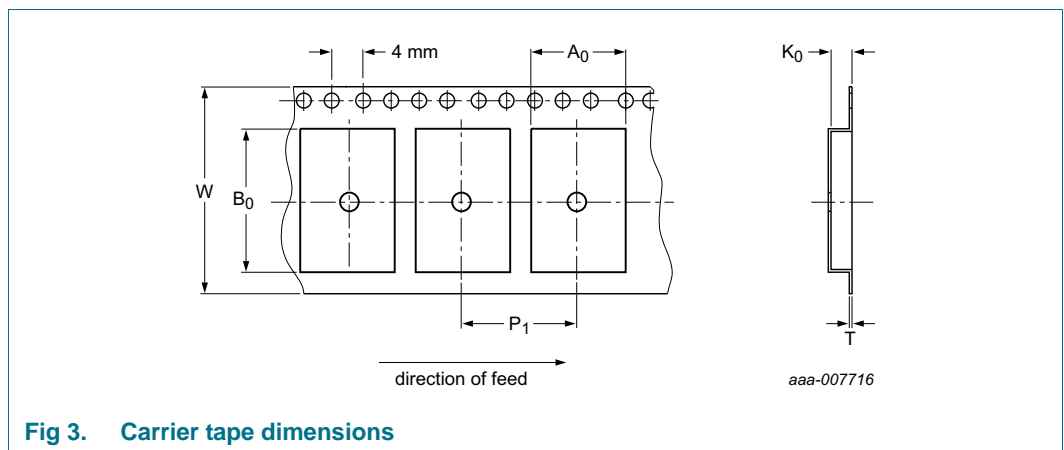


Table 2. Carrier tape dimensions

In accordance with IEC 60286-3.

A ₀ (mm)	B ₀ (mm)	K ₀ (mm)	T (mm)	P ₁ (mm)	W (mm)
3.8 ± 0.10	5.8 ± 0.10	1.2 ± 0.10	0.3 ± 0.05	8 ± 0.10	12 ± 0.30

DHVQFN24; Reel sulfur barrier pack, SMD, 13"
 Q1/T1 standard product orientation
 Orderable part number ending ,431 or Z
 Ordering code (12NC) ending 431

4. Reel dimensions

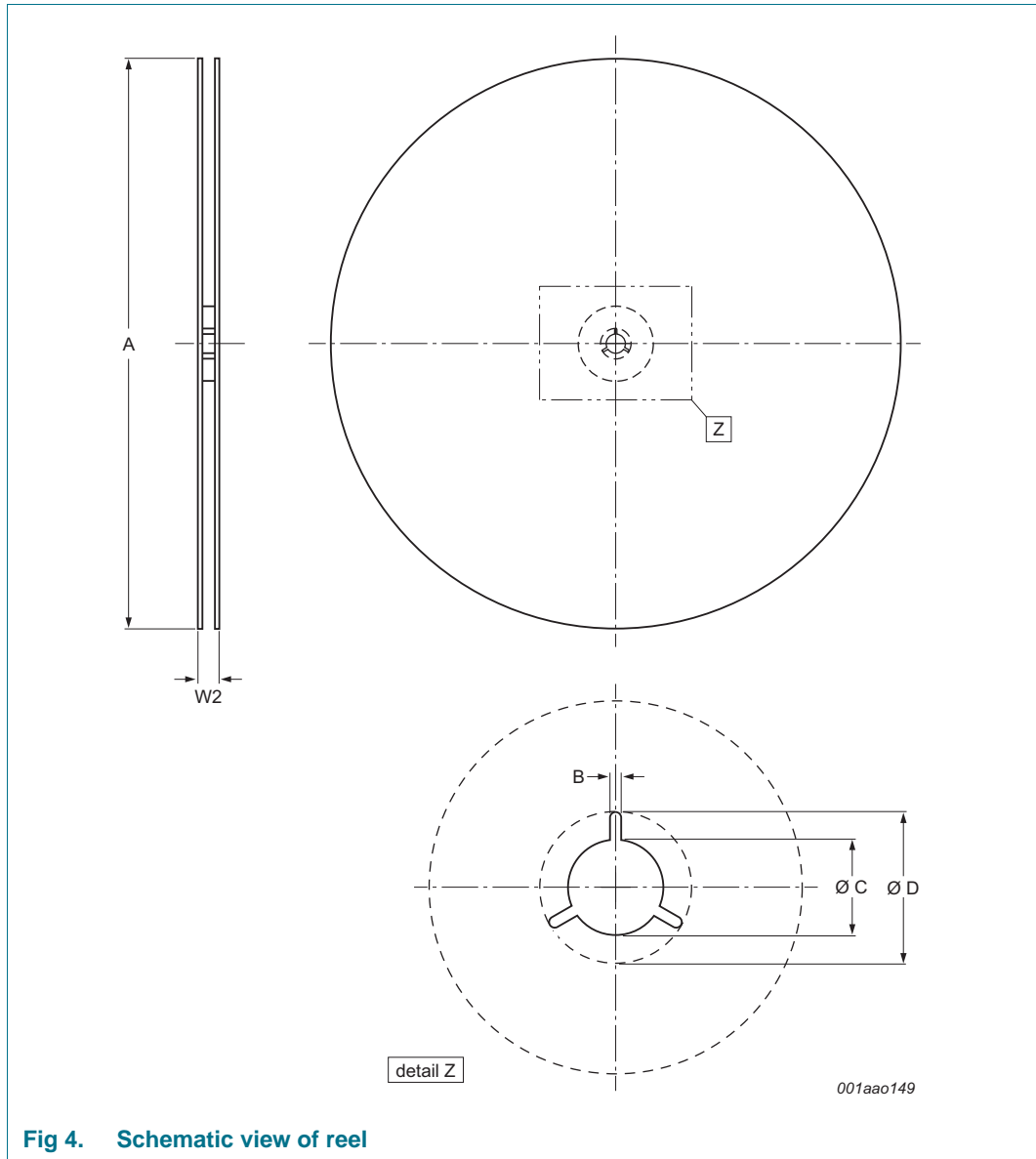


Fig 4. Schematic view of reel

Table 3. Reel dimensions
 In accordance with IEC 60286-3.

A [nom] (mm)	W2 [max] (mm)	B [min] (mm)	C [min] (mm)	D [min] (mm)
330	18.4	1.5	12.8	20.2

DHVQFN24; Reel sulfur barrier pack, SMD, 13"
 Q1/T1 standard product orientation
 Orderable part number ending ,431 or Z
 Ordering code (12NC) ending 431

5. Barcode label

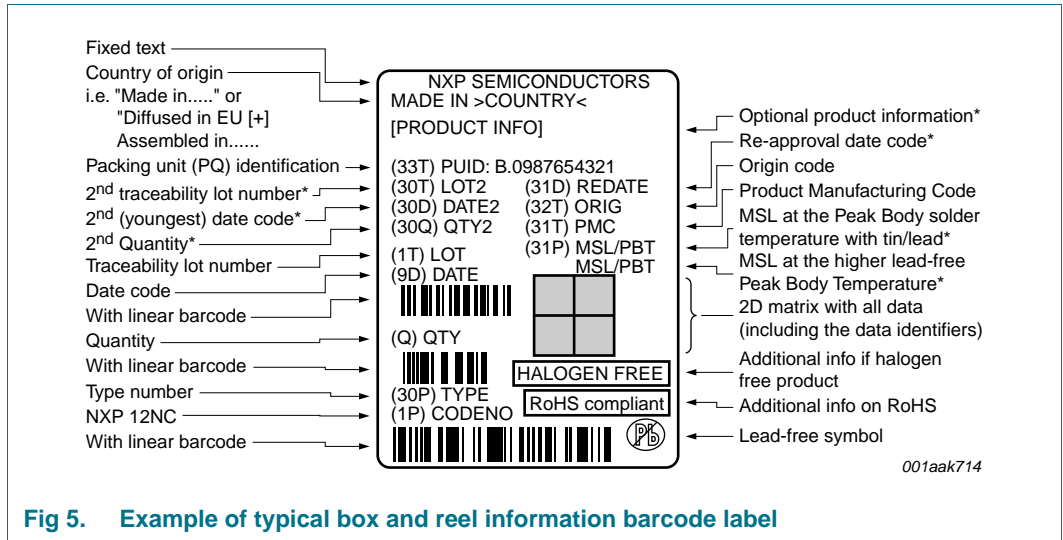


Fig 5. Example of typical box and reel information barcode label

Table 4. Barcode label dimensions

Box barcode label l × w (mm)	Reel barcode label l × w (mm)
100 × 75	100 × 75

DHVQFN24; Reel sulfur barrier pack, SMD, 13"
Q1/T1 standard product orientation
Orderable part number ending ,431 or Z
Ordering code (12NC) ending 431

6. Revision history

Table 5. Revision history

Document ID	Release date	Packing document status	Change notice	Supersedes
SOT815-1_431 v.1.1	20150626	Packing information	-	SOT815-1_431 v.1
Modifications:	• Figure 1 corrected.			
SOT815-1_431 v.1	20150612	Packing information	-	-

Limited warranty and liability

Information in this document is believed to be accurate and reliable. However, NXP Semiconductors does not give any representations or warranties, expressed or implied, as to the accuracy or completeness of such information and shall have no liability for the consequences of use of such information.

© NXP Semiconductors N.V. 2015.

All rights reserved.

For more information, please visit: <http://www.nxp.com>

For sales office addresses, please send an email to: salesaddresses@nxp.com

Date of release: 26 June 2015

Document identifier: SOT815-1_431