



All rights are reserved. Reproduction in whole or in part is prohibited without the written consent of the copyright owner.

PACKAGE : SOT353 (SC-88A)

WEIGHT : 0.006 g

TYPE FACE : DIN 1451, condensed type

PRODUCER / VENDOR CODES : Height 0.55 - 0.75 mm  
3 characters max. (optional incl. vendor code)  
t, p

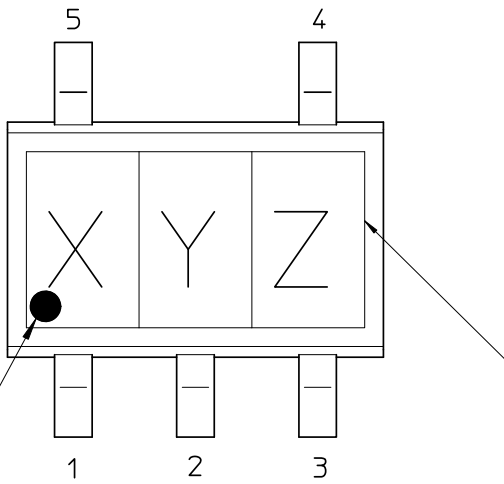
POSSIBLE VENDOR CODES : t = APM, p = APHK  
shown in the marking list  
only %

CHARACTER SET :  $\emptyset$  to 9  
A to Z without I and O  
t, p

DATE CODE : no date code

Option A : For Non-Picogate Types

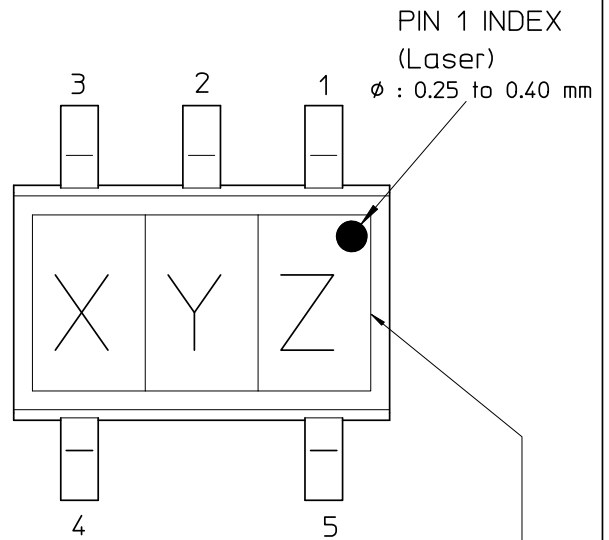
Normal Type



PIN 1 INDEX  
(Laser)  
 $\phi$  : 0.25 to 0.40 mm

MARKING AREA  
min. distance between marking  
area and edge of plastic body  
0,1 mm (all sides).

Reverse Type



PIN 1 INDEX  
(Laser)  
 $\phi$  : 0.25 to 0.40 mm

MARKING AREA  
min. distance between marking  
area and edge of plastic body  
0,1 mm (all sides).

	<b>SOT353 (SC-88A)</b>	<b>4312 256 00084</b>	2000-12-22 2002-06-28 2008-08-22 2010-04-02
Name: M. Lau	DWG No.: EH0624	3	180 - 1 010 - - - A 4
PV	Check :	Dat.: 1995-09-29	(c) NXP Semiconductors / TCC



All rights are reserved. Reproduction in whole or in part is prohibited without the written consent of the copyright owner.

PACKAGE : SOT353 (SC-88A)



LASER MARKING

DEVICE NAME : Height 0.6 +/- 0.15 mm (DIN 6776 condensed type)  
3 characters , no crossing of lines allowed for all characters and marks

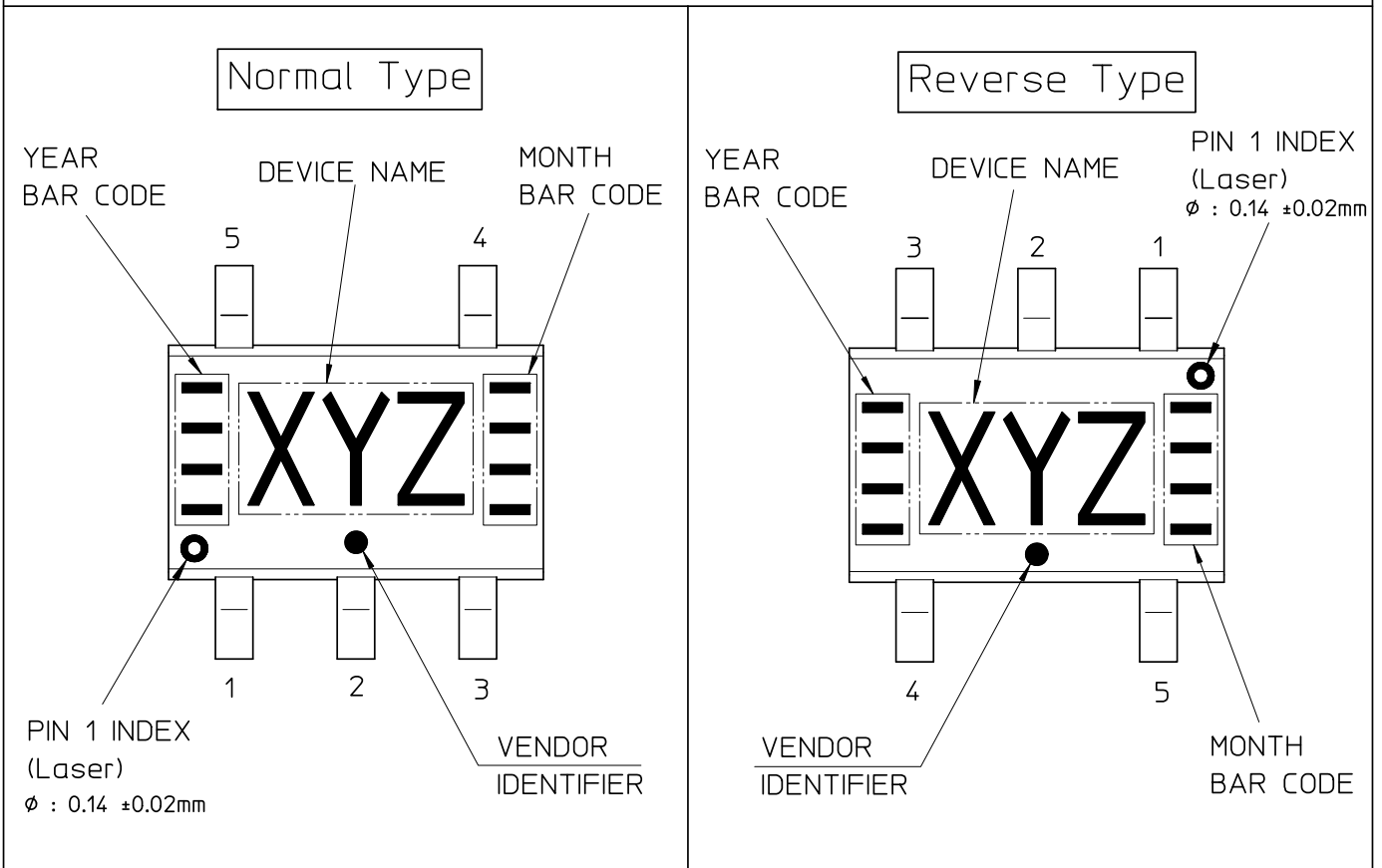
CHARACTER SET : 0 to 9  
A to Z without I,O

YEAR BAR CODE : code see sheet 3

MONTH BAR CODE : code see sheet 3

VENDOR IDENTIFIER :  means "APHK"  
 means "APM"

Option B : For Picogate Types



	<b>SOT353 (SC-88A)</b>	<b>4312 256 00084</b>	2000-12-22 2002-06-28 2008-08-22 2010-04-02
Name: M. Lau	DWG No.: EH0624	3	180 - 2 010 - - - A 4
PV	Check :	Dat.: 1995-09-29	(c) NXP Semiconductors / TCC



All rights are reserved. Reproduction in whole or in part is prohibited without the written consent of the copyright owner.

YEAR BAR CODE

MONTH BAR CODE

Last Digit of calendar year	YEAR BAR CODE
0	
1	
2	
3	
4	
5	
6	
7	
8	
9	

MONTH	MONTH BAR CODE
JAN	
FEB	
MAR	
APR	
MAY	
JUNE	
JULY	
AUG	
SEP	
OCT	
NOV	
DEC	

		SOT353 (SC-88A)		4312 256 00084		2000-12-22	
						2002-06-28	
						2008-08-22	
						2010-04-02	
Name: M. Lau		DWG No.: EH0624		3		180 - 3	
PV		Check :		Dat.: 1995-09-29		010 - - - A 4	
(c) NXP Semiconductors / TCC							