

UG10081

Layerscape Linux Distribution POC User Guide

Rev. 6.1.55_2.2.0 — 24 January 2024

User guide

Document Information

Information	Content
Keywords	UG10081, LLDPUG, Layerscape, LDP, LS1012ARDB, FRWY-LS1012A, TWR-LS1021A, LS1028ARDB, LS1043ARDB, LS1046ARDB, FRWY-LS1046A, LS1088ARDB, LS2088ARDB, LX2160ARDB Rev. 2, LX2162AQDS
Abstract	Layerscape Linux Distribution POC (LDP) is a Linux enablement software for NXP Layerscape processors that are based on Arm core(s).



1 Layerscape LDP overview

Layerscape Linux Distribution POC (LDP) is a Linux enablement software for NXP Layerscape processors that are based on Arm core(s). It provides the necessary drivers, tools, and libraries for enabling the features of the Layerscape processors. The Layerscape LDP build uses a Yocto-based meta layer to generate a Proof of Concept (POC) image.

Layerscape LDP provides a fully operational bootloader, a Linux kernel, and board-specific modules. This Layerscape LDP software together is ready to use in a flexible configuration for specific hardware reference platforms. Layerscape LDP has been tested and qualified at NXP.

Layerscape LDP is a complete Linux system with the following major components:

- NXP firmware components which include:
 - Trusted Firmware-A (TF-A), a reference implementation of secure world software for Armv7-A and Armv8-A
 - NXP peripheral firmware components for DPAA1, DPAA2, and PPFE
- NXP bootloader:
 - U-Boot, based on denx.de plus patches
- NXP Linux kernel based on kernel.org upstream plus patches
- NXP added user space components
- Linux distro standard user space file set (userland) which includes compilers and cross compiler

The benefit of using NXP Layerscape LDP userland is the easy availability of thousands of standard Linux user space packages. The experience of using the Layerscape LDP is similar to using Ubuntu, but the kernel, firmware, and some special NXP packages are managed separately.

1.1 Accessing Layerscape LDP

Layerscape LDP is distributed through Git. To build the yocto component, you must clone the manifest and install Layerscape LDP onto a mass storage device as an integration. This setup is ready for usage on an NXP reference board or evaluation board.

You can now build the NXP components either from the source using a script called bitbake or install from binaries of NXP components using flex-installer. For more information, see the links given below:

- Building NXP components: [Section 3](#)
- Yocto project: [Yocto projects](#)
- NXP Linux Yocto project: [NXP Linux Yocto Project BSP for Desktop PoC](#)

1.2 Supported Linux distributions

The current Yocto project release 4.2.999 (mickledore) supports the following distributions:

- Ubuntu 20.04 (LTS)
- Ubuntu 22.04 (LTS)
- Fedora 37
- Fedora 38
- CentOS Stream 8
- Debian GNU/Linux 11 (Bullseye)
- Debian GNU/Linux 12 (Bookworm)
- OpenSUSE Leap 15.4
- AlmaLinux 8.8
- AlmaLinux 9.2

1.3 Building host package

The Yocto build requires installation of essential host packages on your host build.

To build the host, use the command:

```
$ sudo apt install gawk wget git diffstat unzip texinfo gcc build-essential chrpath socat cpio python3 python3-pip python3-pexpect xz-utils debianutils iputils-ping python3-git python3-jinja2 libegl1-mesa libsdl1.2-dev pylint3 xterm python3-subunit mesa-common-dev zstd liblz4-tool
```

For more information on how to build Layerscape LDP, see [Section 3.5](#).

1.4 Layerscape LDP Git tags

Layerscape LDP Git repositories use the Git tags to indicate the component revisions that are release tested together. Use the `git tag` command to examine them and chose a tag to checkout.

2 Release notes

2.1 What is new in this release

The following new features are added in the Layerscape LDP release 6.1.55_2.2.0:

- LX2160ARDB revD
- Linux kernel core and virtualization:
 - Kernel v6.1.55
- Linux kernel driver:
 - DPAA1-eth: Copper backplane support (10GBase-KR)
- Other Tools and Utilities
 - MC 10.38.0
 - OPTEE v4.0.0
 - RCW to support QSPI secure boot on LS1021ATWR

2.2 Components

The following list of components are supported in the Layerscape LDP release 6.1.55_2.2.0:

- NXP Layerscape LDP userland
 - NXP Layerscape LDP Userland including Linux distro main packages and NXP packages
 - Toolchain: gcc-11.2, glibc-2.35, binutils-2.38, gdb-13.2
- Linux kernel core and virtualization
 - LTS kernel 6.1.55 update (including KASLR)
 - Arm Cortex-A53 and Cortex-A72 (AARCH64), Little Endian (default)
 - 32-bit effective kernel addressing [Cortex-A53, Cortex-A72]
 - 64-bit effective addressing [Cortex-A53, Cortex-A72]
 - Direct device assignment in guest kernel [DPAA2 processors]
 - Kexec support [except for DPAA1 platforms]
 - Huge Pages (hugetlbfs)
 - KVM and Containers, QEMU 4.2

- Libvirt 9.2.0
- Linux kernel drivers
 - Customer Edge Egress Traffic Management (CEETM)
 - Crypto driver via SEC 5 and 6 (CAAM)
 - CAAM DMA
 - DPAA1-eth: Copper backplane support (10GBase-KR)
 - DPAA2-eth: Copper backplane support (10GBase-KR, 25Gbase-KR, 40GBase-KR, 100GBase-KR)
 - DUART, DSPI [except for LS1028A, LX2160A], I2C, QSPI [except for LS1028A, LS2160A]
 - Edge Virtual Bridge (EVB) [DPAA2 processors]
 - Ethernet DPAA [DPAA1 processors]
 - Ethernet DPAA2 [DPAA2 processors]
 - Ethernet ENETC [LS1028A]
 - FlexCAN [LS1028A, LX2160A, LX2162A]
 - FlexSPI [LS1028A, LX2160A, LX2162A]
 - Frame Manager (FMan) [DPAA1 processors]
 - GIC-400, GIC-500, GIC-ITS
 - Integrated Interchip Sound (I2S) / Synchronous Audio Interface (SAI)
 - IEEE1588
 - Integrated Flash Controller (IFC) NOR [except for LX2160A, LS1028A] and NAND flash [except for LS1028A]
 - L2Switch [LS1028A]
 - LPUART [LS1043A]
 - Management Complex Bus [DPAA2 processors]
 - MDIO
 - Multiprocessor Interrupt Controller (MPIC)
 - Multimedia: GPU, LCD, eDP/DP [LS1028A]
 - Open Portable Trusted Execution Environment (OP-TEE)
 - PCIe Root Complex and Endpoint, MSI
 - PFE Ethernet [LS1012A]
 - Platform DMA
 - PHY support: RGMII, SGMII, XFI, XAUI, USXGMII, XLAUI4, 25G-AUI
 - Power Management (PM): CPU hotplug (PH20), CPU idle (PW15/20), Sleep (LPM20), Deep sleep (LPM35), Auto-Response, Dynamic Frequency Scaling (DFS), Thermal Monitor, Power Monitor (board-specific)
 - Queue Manager (QMan) and Buffer Manager (BMan) [DPAA1 processors]
 - QUICC Engine UART, TDM, HDLC, PPPoHT
 - SAI/I2S [LS1012A]
 - SATA
 - Secured Digital Host Controller (eSDHC) and SD/MMC support
 - System Memory Management Unit (SMMU) [Arm processors]
 - Time Sensitive Network (TSN) [LS1028A]
 - Universal Serial Bus (USB)
 - User space IO
 - Virtual Function I/O (VFIO) - mmap PCI sources [Except for LS1021A]
 - Watchdog Timers
- Data Plane Development Kit (DPDK)
 - Support of DPDK v22.11
 - The following DPDK applications have been verified:
 - I2fwd

- l3fwd
- l2fwd_crypto
- ipsecgateway
- Direct device assignment using VFIO for DPDK in VM [DPAA2 processors]
- DPDK on docker
- IPSEC protocol offload
- KNI support
- PFE with DPDK [LS1012A]
- PKTGEN 21.05.0
- QDMA driver [DPAA2 processors]
- Virtualization
 - OVS-DPDK v3.1.0
 - OVS-DPDK working with the `vhost-virtio` interfaces
 - DPDK working in virtual machine
 - VPP v2302
- Trust Firmware - A (TF-A)
 - TF-A v2.8 update
 - Power Management
 - OP-TEE OS binary v3.21
- U-Boot Bootloader
 - U-Boot: 2023.04 update
 - Unified memory map
 - On Arm platforms, the U-Boot image includes the device tree
 - Non-secure and Secure Boot (ESBC)
 - Trusted Firmware-A (TF-A) integration. See TF-A features in “Other Tools ...” below
 - Boot from FlexSPI NOR [LS1028A, LX2160A, LX2162A], NOR, NAND, QSPI [except for LS1028A, LX2160A], SDHC
 - CodeWarrior debug patch for U-Boot
 - Clock, CPLD, DUART, DDR4, DSPI [except for LS1028A, LX2160A], eSDHC, GIC-400, GIC-500, I2C, OCRAM, PCIe, USB 2 and 3, SATA, UART
 - DCU, eMMC 4.5, I2C3, LPUART, QSPI [except for LS1028A, LX2160A]
 - FlexSPI [LS1028A, LX2160A, LX2162A]
 - HW load/store prefetch being disabled
 - IFC access to NOR [except for LS1028A, LX2160A] and NAND flash [except for LS1028A]
 - RTC
 - Networking support using eTSEC, FMan Independent Mode, DPAA2 networking, PFE, ENETC, L2Switch
 - Voltage ID (board-specific)
- Other Tools and Utilities
 - Convenience scripts to create and manage common objects like network interfaces. These scripts are packaged in `ls2-scripts` tarball
 - Data Compression Engine in user space
 - DPAA2 resource container and object management tool (RESTOOL)
 - FLIB/RTA - SEC descriptor creation library [all processors with SEC 5]
 - Frame Manager Configuration Tool (FMC) [DPAA1 processors]
 - Frame Manager Ucode [DPAA1 processors]

- Management Complex (MC) Firmware version 10.38.0 – supporting DPAA2 resource containers and network objects, Resource Manager and Link Manager, and DPDMUX basic configurations
- Platform Security
 - OP-TEE client 4.0.0
 - PKCS#11 Library
 - Dynamic deployment of container-based applications
 - Support of public and private apps
 - Support for Multithreaded Applications
 - Integration with PKCS#11 OpenSSL Engine from OpenSC/libp11
- PME Tools [DPAA1 processors]
- Python scripts to generate RCW binaries
- Soft Parser Configuration Tool
- Time Sensitive Network (TSN) support
 - TSN configuration tool
 - ENETC 1588 two steps timestamping
 - ENETC TSN driver
 - SWITCH TSN driver
- Yocto bitbake to build component and generate the boot firmware, `fsl-image-kernel.itb` and the NXP Layerscape LDP userland containing the specified packages and applications
 - Yocto mickledore bitbake

2.3 Feature support matrix

The following tables show the features that are supported in this release.

Refer to the legend below to decipher the entries.

Legend:

- **Y** - Feature is supported by software
- **/** - Feature is not supported by software
- **na** - Hardware feature is not available

Table 1. Key features

Feature	LS1012A	LS1021A	LS1028A	LS1043A	LS1046A	LS1088A	LS2088A	LX2160A	LX2162A
64-bit User space, BE	/	na	/	/	/	/	/	/	/
32-bit User space, LE	/	Y	/	/	/	/	/	/	/
64-bit User space, LE	Y	na	Y	Y	Y	Y	Y	Y	Y
36b phys mem	na	Y	na	na	na	na	na	na	na
40b phys mem	Y	na	Y	Y	Y	Y	Y	Y	Y
Data Plane Development Kit (DPDK) - VPP excluded	Y	/	Y	Y	Y	Y	Y	Y	Y
Hugetlbfs	Y	Y	Y	Y	Y	Y	Y	Y	Y
Management Complex	na	na	na	na	na	Y	Y	Y	Y
Open Portable Trust Execution Environment (OP-TEE)	Y	/	Y	Y	Y	Y	Y	Y	Y

Table 1. Key features...continued

Feature	LS1012A	LS1021A	LS1028A	LS1043A	LS1046A	LS1088A	LS2088A	LX2160A	LX2162A
Secure boot (NXP CoT)	Y	Y	Y	Y	Y	Y	Y	Y	Y
Secure boot (Arm CoT)	na	na	na	na	na	na	na	Y	Y
Time Sensitive Network (TSN)	na	na	Y	na	na	na	na	na	na
USDPAAs Applications	na	na	na	/	/	na	na	na	na
Trusted Firmware-A (TF-A)	Y	na	Y	Y	Y	Y	Y	Y	Y
Verified boot	na	na	na	na	na	na	na	na	Y
Warm reset	na	na	na	na	na	na	na	na	Y

Table 2. Virtualization, Containers and Isolation

Feature	LS1012A	LS1021A	LS1028A	LS1043A	LS1046A	LS1088A	LS2088A	LX2160A	LX2162A
KVM/QEMU	Y	na	Y	Y	Y	Y	Y	Y	Y
On-chip networking interfaces Direct Assignment	/	na	Y	na	na	Y	Y	Y	Y
PCI Devices Direct Assignment	/	na	Y	/	/	Y	Y	Y	Y
LXC	Y	Y	Y	Y	Y	Y	Y	Y	Y
Libvirt	Y	Y	Y	Y	Y	Y	Y	Y	Y
SMMU - default config	na	/	Y	/	/	Y	Y	Y	Y
VFIO for Network Resources	/	na	Y	na	na	Y	Y	Y	Y
Docker	Y	/	Y	Y	Y	Y	Y	Y	Y

Table 3. Linux kernel drivers

Feature	LS1012A	LS1021A	LS1028A	LS1043A	LS1046A	LS1088A	LS2088A	LX2160A	LX2162A
Audio - I2S, SAI	Y	Y	Y	na	na	na	na	na	na
CAAM DMA	Y	/	/	/	/	/	/	/	/
DCE	na	na	na	na	na	na	Y	Y	Y
DCU	na	Y	na	na	na	na	na	na	na
Display - eDP/DP, LCD	na	na	Y	na	na	na	na	na	na
DMA	Y	Y	Y	Y	Y	Y	Y	Y	Y
DPAA1 - Ethernet, FMan, QMan, BMan	na	na	na	Y	Y	na	na	na	na
DPAA2 - Ethernet, L2 Switching, QBMan	na	na	na	na	na	Y	Y	Y	Y
eSDHC	Y	Y	Y	Y	Y	Y	Y	Y	Y
ENETC	na	na	Y	na	na	na	na	na	na
FlexCAN	na	/	Y	na	na	na	na	Y	Y
FlexSPI	na	na	Y	na	na	na	na	Y	Y
GPU	na	na	Y	na	na	na	na	na	na

Table 3. Linux kernel drivers...continued

Feature	LS1012A	LS1021A	LS1028A	LS1043A	LS1046A	LS1088A	LS2088A	LX2160A	LX2162A
I2C	Y	Y	Y	Y	Y	Y	Y	Y	Y
IEEE1588, linuxptp	na	Y	Y	Y	Y	Y	Y	Y	Y
IFC	na	Y	na	Y	Y	Y	Y	na	na
IMA-EVM	Y	/	/	Y	Y	Y	Y	/	/
TSN Ethernet Switch	na	na	Y	na	na	na	na	na	na
LPUART	na	Y	/	Y	Y	/	/	na	na
QSPI	Y	Y	na	Y	Y	Y	Y	na	na
PCIe RC	Y	Y	Y	Y	Y	Y	Y	Y	Y
PCIe EP	/	/	/	Y	Y	Y	Y	Y	Y
PFE	Y	na	na	na	na	na	na	na	na
Power Management	Y	Y	Y	Y	Y	Y	Y	Y	Y
SATA	Y	Y	Y	Y	Y	Y	Y	Y	Y
SEC	Y	Y	Y	Y	Y	Y	Y	Y	Y
dSPI	/	Y	/	Y	Y	/	Y	na	Y
TDM (QE)	na	na	na	Y	na	na	na	na	na
TSN	na	na	Y	na	na	na	na	na	na
USB	Y	Y	Y	Y	Y	Y	Y	Y	Y
VFIO for network resources	/	na	Y	na	na	Y	Y	Y	Y
Watchdog	Y	Y	Y	Y	Y	Y	Y	Y	Y
GPIO	na	na	na	na	Y	Y	na	na	Y
EDAC	Y	Y	Y	Y	Y	Y	Y	Y	Y

2.4 Open issues

Table 4 lists the open issues in the Layerscape LDP release 6.1.55_2.2.0. None of these issues currently has a resolution.

Table 4. Open issues in Layerscape LDP release 6.1.55_2.2.0

ID	Description	Opened in
LF-3360	Functionalities that require PCI reset, such as VFIO, will work only with PCI endpoints that support Function Level Reset (FLR).	5.15.52-2.1.0
LF-3981	On LX2160ARDB, there is kernel panic when unbinding dpni during Linux qos testing.	5.10.35_2.0.0
LF-4151	On LS1028ARDB and DPAA2 platforms, the system may randomly reset after sleep.	LSDK 21.08
LF-6686	Openssl job ring interrupt does not increase after openssl testing.	5.15.32_2.0.0
LF-8753	On LS043ARDB and LS1046ARDB, kexec_kdump: fail to switch to the new kernel with default image or custom build image.	6.1.1_1.0.0_LDP

Table 4. Open issues in Layerscape LDP release 6.1.55_2.2.0...continued

ID	Description	Opened in
LF-8837	On LS1012ARDB, Display: desktop can't display normally on specific monitor after login system.	6.1.1_1.0.0_LDP

3 Getting started with Layerscape LDP

3.1 Host system requirements

Set up the host system as given below:

1. Install Ubuntu 22 on the host machine:
 - a. Obtain sudo permission by running the command:
`sudoedit /etc/sudoers`
 - b. Add a line:
`<account-name> ALL=(ALL:ALL) NOPASSWD: ALL`
2. To build the target NXP Layerscape LDP userland for arm64/armhf arch, the user network environment must have access to the remote Ubuntu official server.

3.1.1 How to set HTTP proxy in Ubuntu

If your Linux host machine is in a subnet that needs HTTP(s) proxy to access external Internet, set the environment variable `http_proxy` and `https_proxy` as given below:

1. Set proxy in `~/.bashrc` (for current user) or in `/etc/profile.d/proxy.sh` (for global users), then run `source ~/.bashrc` or `source /etc/profile.d/proxy.sh` to validate the settings.

```
export http_proxy="http://<account>:<password>@<domain>:<port>"
export https_proxy="https://<account>:<password>@<domain>:<port>"
```

2. Set proxy in `/etc/apt/apt.conf`

```
Acquire::http::Proxy "http://<account>:<password>@<domain>:<port>";
Acquire::https::Proxy "https://<account>:<password>@<domain>:<port>";
```

3.2 Download and deploy Layerscape LDP images in Linux environment using flex-installer

You can build Layerscape LDP easily from source by using Yocto bitbake. It is a generic task execution engine that allows to run the shell and Python tasks efficiently, while working within the complex inter-task dependency constraints.

To build Layerscape LDP from source, see [Section 3.5](#).

[Table 5](#) lists and explains the command options used in the `flex-installer` commands.

Table 5. flex-installer command options

Command option	Description	Supported values
<code>-m <machine></code>	Refers to board name.	ls1012afrawy, ls1021atwr, ls1028ardb, ls1043ardb, ls1046ardb, ls1046afrawy, ls1088ardb, ls2088ardb, lx2160ardb_rev2, lx2162aqds
<code>-f <firmware></code>	Refers to firmware image.	<code>firmware_<machine>_<boottype>.img</code>

Table 5. flex-installer command options...continued

Command option	Description	Supported values
-b <boot_partition>	Refers to bootpartition image. There is a set of bootpartition images for each of the Linux kernel versions and platform (64-bit) supported by Layerscape LDP.	<i>boot_LS_arm64_lts_<version>.tgz</i>
-B, --bootpart	Specify boot partition number to override default (default boot partition is the 2nd one)	For example, -B 1 or --bootpart=1
-r <rootfs>	Refers to NXP Layerscape LDP userland. There are different rootfs images for default userland and Edgescale userland.	<i>ls-image-main-<machine>.tar.gz</i> For example, <machine> = ls1028ardb: <i>ls-image-desktop-ls1028ardb.tar.gz</i>
-R, --rootpart	Specify root partition number to override the default (default root partition is the 4th partition)	For example, specify the third partition as root partition: -R 3 or --rootpart=3
-d <device>	Refers to storage device (SD, USB, or SATA) Note: <ul style="list-style-type: none"> Use the command <code>cat /proc/partitions</code> to see a list of devices and their sizes to make sure that the correct device names have been chosen. The SD/USB/SATA storage drive in the Linux PC is detected as <code>/dev/sdX</code>, where X is a letter such as a, b, c. Make sure to choose the correct device name, because data on this device will be replaced. If the Linux host machine supports read/write SD card directly without an extra SD card reader device, the device name of SD card is typically <code>mmcblk0</code>. 	<i>/dev/<device_name></i>
-e <dtb>	-e dtb option is used for UEFI in DTB way. This parameter installs grub.cfg, efi.fd There is no need to add -e option in case of U-Boot as bootloader by default	dtb, no need this option in case of U-Boot as bootloader
-u <url>	Specifies URL of distro web server to override the default one for automatically downloading distro.	URL of distro web server

Note:

- The U-Boot based composite firmware must be programmed in flash device (not in SD card) on LS2088ARDB/LS1012ARDB/LS1012AFRWY, no limitation on the other Layerscape boards.
- Users can install distro rootfs and bootpartition tarball into SD card (or USB/SATA disk) on all Layerscape boards.
- To run flex-installer command on the target storage drive connected to a reference board, you must boot the board with TinyLinux and bring up network interface.
For details, refer to [Section 3.2.2](#).

3.2.1 To deploy locally the custom Layerscape LDP images to the target storage drive connected to a Linux host machine or a reference board

Usage:

```
$ flex-installer -b <boot_partition> -r <rootfs> -f <firmware> -d <device>
```

For list of supported values for <boot_partition>, <rootfs>, <firmware>, and <device>, see [Table 5](#).

Example:

For ls1043ardb:

```
$ flex-installer -b boot_ls1043ardb_lts_6.1.tgz -r ls-image-
mainls1043ardb.tar.gz -f firmware_ls1043ardb_sdboot.img -d /dev/sdX
```

3.2.2 To deploy the custom Layerscape LDP images on a reference board running TinyLinux

- After booting the reference board automatically, check whether the reference board boots TinyLinux or whether it boots Layerscape LDP userland based distribution. TinyLinux is a non-customizable ramdisk `rootfs` deployed in flash media on the reference board. This `rootfs` fits into the firmware image on flash and is therefore called `tiny`.
 - If the reference board boots TinyLinux, proceed to step #3.
 - If the reference board boots Layerscape LDP - based distribution, it means that an older Yocto based distribution may already be present on the storage device that is plugged into the reference board. In this case, go to step #2 first, to force the board to boot TinyLinux.
- Force the reference board to boot TinyLinux.
 - Reboot the board and stop autoboot to enter U-Boot prompt.
 - Set Ethernet Interface

```
=>pri bootcmd
bootcmd=env exists mcinitcmd && mmcinfo; mmc read 0x80001000 0x6800 0x800;
env exists mcinitcmd && env exists secureboot && mmc read 0x806C0000
0x3600 0x20 && esbc_validate 0x806C0000;env exists mcinitcmd && fsl_mc
lazyapply dpl 0x80001000;run distro_bootcmd;run sd_bootcmd;env exists
secureboot && esbc_halt;
2, run bootcmd (from the info above)
=>mmc read 0x80001000 0x6800 0x800
=> fsl_mc lazyapply dpl 0x80001000
```

- Enter following command at the U-Boot prompt to boot the board to the TinyLinux environment for executing flex-installer:

```
=> run sd_bootcmd (for SD/eMMC boot)
=> run nor_bootcmd (for IFC-NOR boot)
=> run qspi_bootcmd (for QSPI-NOR boot)
=> run xspi_bootcmd (for FlexSPI-NOR boot)
```

- Log in to TinyLinux as `root` and bring up a network interface.

Dynamic IP address assignment:

```
#: ifconfig -a
#: udhcpc -i eth0 ( or eth1 ,etc.) c
```

Static IP address assignment:

```
$ ifconfig <port name in TinyLinux> <IP address> netmask <netmask address> up
```

The port name in Linux TinyLinux corresponding to each of the ports on the reference board chassis is given in section "<board> reference information" in the board-specific **Quick start guide** section.

- Use flex-installer to create and format the partitions for storage device (USB/SATA/SD).

```
$ flex-installer -i pf -d <device> # use default partition_list
```

Or

```
$ flex-installer -i pf -d <device> -p <partition_list> # specify custom
partition_list
```

For list of supported values for <device>, see [Table 5](#).

5. Change current path to the Partition 4 of target storage device.

```
$ cd /mnt/mmcbk0p4 (or /mnt/sdx4)
```

6. Download `bootpartition_<arch>_<version>.tgz` and `rootfs_<version>_<distrotype>_<distroscale>_<arch>.tgz` using the `wget` or `scp` command.
7. Deploy bootpartition and Layerscape LDP userland to the target device using the command given below:

```
flex-installer -f <firmware> -b <boottgz> -r <rootfs> -d <device>
```

For the list of supported values for <firmware>, <rootfs>, and <device>, see [Table 5](#).

Example:

```
$ flex-installer -b boot_ls1043ardb_lts_6.1.tgz -r ls-image-
mainls1043ardb.tar.gz -f firmware_ls1043ardb_sdboot.img -d /dev/sdX
```

3.2.3 To only install the composite firmware to the target storage drive on a Linux host machine or a reference board

You must install the `flex-installer` in the Linux host machine prior to the installation of the composite firmware.

Usage:

```
$ flex-installer -f <firmware> -d <device>
```

For the list of supported values for <firmware>, <device>, see [Table 5](#).

Example:

```
$ flex-installer -f firmware_ls1046ardb_sdboot.img -d /dev/sdx
```

3.2.4 To partition and format target storage device with specified number and size of partitions instead of using the default partitions

Usage:

```
flex-installer -i pf -p <partitions-list> -d <device>
```

For the list of supported values for <device>, see [Table 5](#).

Example:

```
$ flex-installer -f firmware_ls1043ardb_sdboot.img -b
boot_ls1043ardb_lts_6.1.tgz -r ls-image-
main-ls1043ardb.tar.gz -d /dev/sdX
```

3.3 Download and deploy Layerscape LDP composite firmware in Windows environment

To download and deploy the Layerscape LDP composite firmware in Windows environment, perform the following steps:

Note: The following steps are verified on Windows 10.

1. Download the **DD for Windows** tool and install it.
http://download.si-linux.co.jp/dd_for_windows/DDWin_Ver0998.zip
2. Create a folder (for example, C:/Layerscape_LDP) and copy the composite firmware you built in Windows Subsystem Linux (WSL).
3. Run the Windows `cmd` command and change the current work directory to the created folder.

```
C:\Windows\System32> cd C:/LDP
C:\LDP> dir
```

4. Run Windows command `copy /b sd_pt_4k.img + <composite_image>`
`<new_composite_image>` to combine the partition table image with the composite firmware.

```
C:\LDP> copy /b sd_pt_4k.img + firmware_ls1028ardb_sdboot.img
firmware_ls1028ardb_sdboot_4k.img
```

The new image `firmware_ls1028ardb_sdboot_4k.img` is generated.

5. Run the tool **DD for Windows** as administrator.
6. Click Choose disk Choose file , and then Restore to program the newly generated composite firmware into the target SD card.
7. Unplug the SD card from Windows host machine and plug it on the target board.
8. Set the DIP switch for SD boot or run `run sd_bootcmd` at the U-Boot prompt.
9. Log in to TinyDistro as `root` and install Layerscape LDP distro using flex-installer.
For more instructions, see [Section 3.6](#).

3.4 Deploying Layerscape LDP images to a board using flex-installer

Perform the following steps to deploy the Layerscape LDP images to a board using a removable storage device, which can be connected to a local Linux host machine:

1. Connect the removable storage device to the Linux host machine.
2. Install flex-installer on host machine to deploy the Layerscape LDP images (this is a one-time activity):

```
$ git clone https://github.com/nxp-imx/meta-nxp-desktop.git -b
lf-6.1.55_2.2.0-mickledore
$ cp meta-nxp-desktop/scripts/flex-installer_1.14.2110.lf /usr/bin/flex-
installer
$ sudo chmod a+x /usr/bin/flex-installer
$ which flex-installer
```

3. Execute the following `flex-installer` command to install Layerscape LDP:

```
$ flex-installer -i pf -d <device>;
$ flex-installer -f <firmware_xxx.img> -b <boot_xxx.tgz> -r <ls-image-
mainxxx.tar.gz> -d <device>
```

Note:

- Use the command `cat /proc/partitions` to view the list of devices and their sizes to ensure that the correct device names are chosen.
 - The SD/USB/SATA storage drive in the Linux PC is detected as `/dev/sdX`, where `X` is a letter such as `a`, `b`, `c`. Ensure to choose the correct device name, as the data on this device is replaceable.
 - If the Linux host machine supports read/write SD card directly without an extra SD card reader device, the device name of SD card is typically `mmcblk0`.
4. Unplug removable storage device from the Linux host and plug into the reference board.
Ensure that the DIP switch settings on the board are correct to boot from the desired boot medium.
 5. Power on the board. The system automatically boots up to the Layerscape distro system.

Use the following default credentials to log on to the Layerscape distro system:

```
- user/user
```

3.5 Build Layerscape LDP with Yocto bitbake

This section introduces detailed steps to build Layerscape LDP with Yocto bitbake. The Layerscape LDP build uses a Yocto-based meta layer to generate a Proof of Concept (POC) image and it works together with Layerscape release layer (meta-qoriq). It reuses the Linux BSP release framework to manage and generate the U-Boot bootloader, Linux kernel image, and Layerscape root file system in the image build.

Note: *The release version is managed by the Layerscape Yocto SDK Manifest.*

The Layerscape LDP build include main and desktop builds. The main build is applicable for all the Layerscape SOCs and the desktop build is applicable for LS1028ARDB only.

3.5.1 Host packages

The Yocto Project build requires specific packages that must be installed to build the Yocto Project.

To set up the Yocto Project build, navigate to the **Yocto Project Quick Start** and check for the packages that must be installed for your build machine.

The essential Yocto project host packages are given below:

```
$ sudo apt-get install gawk wget git-core diffstat unzip texinfo gcc-multilib \
build-essential chrpath socat cpio python python3 python3-pip python3-pexpect \
xz-utils debianutils iputils-ping python3-git python3-jinja2 libegl1-mesa \
libstdc++12-dev \
pylint3 xterm rsync curl
```

3.5.2 Download Yocto bitbake

The Yocto project uses OpenEmbedded (OE) to build hosts, and the project uses bitbake to build a complete Linux image. The bitbake and OE components are combined to form the reference build host, formerly known as poky. Repo is a tool built on top of Git.

To avail poky, and bitbake tools, download the poky repository and bitbake tools using the repo tool.

```
$ repo init -u https://github.com/nxp-qoriq/yocto-sdk -b mickledore -m ls-6.1.55_2.2.0_distro.xml
$ repo sync
source ./distro-setup-env -m <boards>
Supported boards
=====
ls1012ardb
ls1012afrawy
ls1021atwr
ls1043ardb
ls1046ardb
ls1046afrawy
ls1088ardb-pb
ls1028ardb
ls2088ardb
lx2160ardb-rev2
lx2162aqds
```

3.5.3 Build Layerscape LDP image using bitbake

To build custom images with different configurations instead of the default settings, you can directly deploy the prebuilt Layerscape LDP composite firmware and distro userland to storage device on target board by Yocto bitbake.

To build the Layerscape LDP image, run the following command:

```
$ bitbake ls-image-lite
$ bitbake ls-image-main # (if machine=ls1028ardb, should bitbake ls-image-desktop )
```

3.5.4 bitbake commands

The following table lists commands to build Layerscape LDP using bitbake.

Table 6. bitbake commands

S. No.	Build object	Command	Description
1	Automated build for specific board	<p>Distro command:</p> <pre>\$ DISTRO=fsl-qoriq-distro MACHINE=<machine> source distro-setup-env \$ bitbake <distro_type></pre> <p>For example:</p> <pre>\$ DISTRO=fsl-qoriq-distro MACHINE=ls1028ardb source distro-setup-env \$ bitbake ls-image-main</pre>	<p>Automatically builds Kernel, and app components for the specific board.</p> <p><machine> can be:</p> <ul style="list-style-type: none"> • ls1012ardb • ls1012afwv • ls1021atwr • ls1028ardb • ls1043ardb • ls1046ardb • ls1088ardb_pb • ls2088ardb • lx2160ardb_rev2 • lx2162aqds <p><distro_type> can be:</p> <ul style="list-style-type: none"> • bitbake ls-image-main • bitbake ls-image-desktop • bitbake ls-image-lite • bitbake ls-image-tiny
2	Builds ATF and U-Boot	bitbake qoriq-atf	Automatically builds ATF image with dependent RCW and bootloader (U-Boot or UEFI).
3	Builds specific component	<p>bitbake <component></p> <p>For example:</p> <pre>bitbake dpdk bitbake vpp bitbake perf bitbake ovs-dpdk bitbake fmc bitbake openssl bitbake opencv</pre>	<p>To build single or multiple components, run the command:</p> <pre>bitbake <component></pre>
4	Builds multiple app components for specific subsystem	<p>bitbake <subsystem></p> <p>For example:</p> <pre>bitbake packagegroup-fsl-tools-core</pre>	<p>User can modify or add custom component in the corresponding files, for example, meta-qoriq/recipes-fsl/packagegroups/</p>

Table 6. bitbake commands...continued

S. No.	Build object	Command	Description
			packagegroup-fsl-tools-core.bb
5	Builds various distro userland	bitbake <distro_type>	Generates distro rootfs as per the specified distro type and scale.
		bitbake ls-image-lite	Build lite image with the optimized config.
		bitbake ls-image-main	Build main image for networking feature.
		bitbake ls-image-desktop	Build desktop image for a specific board only.
		bitbake fsl-image-mfgtool	Build yocto tiny image with limited tools.
6	Cleans various images	bitbake -c clean <recipe_name/target_name>	Removes all the output files for a target.
		bitbake -c cleanall <recipe_name/target_name>	Removes all the output files, shared state cache, and downloaded sources files for a target.
		bitbake -c cleansstate <recipe_name/target_name>	Removes all the output files and shared state cache for a target.

3.5.5 Generate Layerscape LDP composite firmware

Layerscape LDP composite firmware consists of RCW/PBL, ATF, Bootloader (U-Boot or UEFI), secure headers, Ethernet MAC/PHY firmware, dtb, kernel and tiny initrd RFS. The composite firmware can be programmed at offset 0x0 in flash device or at offset block# 8 in SD/eMMC card.

Note: Arm CoT is supported only for LX2160ARDB Rev2 and LX2162AQDS platforms.

Usage:

```
$ bitbake qoriq-composite-firmware
```

3.5.6 Generate tarball

In this tar ball, the boot image puts dtb, image, secure-boot header, and the kernel module. boottgz writes in boot part2.

Use this command below to generate this tar ball in Yocto bitbake.

Usage:

```
$ bitbake generate-boottgz
```


3.5.7 Build TF-A with RCW and U-Boot/UEFI

Layerscape platforms support TF-A (Trusted Firmware-A) which provides a reference implementation of secure world software for Armv7-A and Armv8-A.

`bitbake` can automatically build the dependent RCW, U-Boot/UEFI, OPTEE, and CST to generate TF-A binaries, `bl2.pbl` and `fip.bin` images for Layerscape platforms.

Use the commands below to build ATF with RCW and U-Boot/UEFI in Yocto bitbake.

Note: *Arm CoT is supported only for LX2160ARDB Rev2 and LX2162AQDS platforms.*

Usage:

```
Usage:
bitbake qoriq-atf
```

Note: *If you want to use different RCW instead of the default one, you can reconfigure `rcw_<boottyp>` variable in `sources/meta-qoriq/recipes-bsp/secure-boot/secure-boot-qoriq//manifest`, then run `bitbake linux-firmware -c cleanall; bitbake qoriq-atf` to generate new ATF image with the specified RCW, if you modified U-Boot, RCW or ATF source code, bitbake can automatically recompile them with the modified source.*

3.5.8 Build Linux kernel with bitbake

Besides building Layerscape LDP kernel in standalone way (see [Section 6.4](#)), it is easy to automatically build Layerscape LDP kernel with the bitbake command.

To build kernel, use the following command:

```
bitbake linux-qoriq
```

3.5.9 Build application components in Yocto bitbake

The following commands are some examples of building application components.

Usage:

```
$ bitbake <component>
```

Example:

Usage:

```
bitbake dpdk
bitbake pktgen-dpdkbitbake vppbitbake fmcbtbitbake restoolbitbake tsntool
bitbake opencv
```

System reboots and automatically boot to Layerscape Linux system with the newly custom kernel.

3.5.10 Deploy new images after modifying the source code of NXP components locally

1. Clean the old apps images using the command:

```
$ bitbake <component_name> -c cleanall
```

2. Modify component bitbake files in directory `components/apps/<subsystem>/<component-name>` according to demand. This step is optional.

3. Build the component and generate the compressed app component tarball. You can find the compiled images in `build-desktop/tmp/deploy/images` directory:

```
$ bitbake <component_name> -c compile -f
```

3.5.11 Build various userlands with custom packages

Layerscape LDP supports different types of distro userlands in various scales to adapt a variety of use cases, you can select the appropriate distro userland as per your need.

- Layerscape LDP Main Userland.
- Layerscape LDP Lite Userland.
- Layerscape LDP Desktop Userland.

Layerscape LDP Main Userland

The Layerscape LDP default main userland consists of Linux distro-based main packages and NXP's packages, which can be generated by the following command:

```
$ bitbake ls-image-main
```

Layerscape LDP Lite Userland

The Layerscape LDP lite userland consists of Linux distro packages and a few NXP's packages, which can be generated by the following command:

```
$ bitbake ls-image-lite
```

Layerscape LDP Desktop Userland

The Layerscape LDP desktop userland consists of Linux distro GNOME desktop packages and some NXP's packages for platforms with GPU (for example, LS1028A and i.MX platform).

The GNOME desktop is launched automatically by default, it needs to manually launch weston in case weston is needed. Users can generate and deploy Linux distro desktop userland by the following command:

```
$ bitbake ls-image-desktop
```

3.5.12 Add a custom machine in Yocto bitbake based on Layerscape LDP release

To add a custom machine, perform the steps given below:

For example, LS1043AXX based on the LS1043A SoC.

1. Run `repo init` and `repo sync` to fetch all Git repositories of Layerscape LDP components for the first time.
2. Add configs in yocto bitbake for new machine:
Add `ls1043axx` node in `conf/machine/ls1043axx.conf`.

3.5.13 Upgrade the existing Layerscape LDP distro with Yocto bitbake on host

To only update boot partition (with customized kernel and modules) on SD card connected to host machine or target Arm board:

```
$ flex-installer -b boot_<machine>_lts_6.1.tgz -d /dev/mmcblk0 (or /dev/sdx)
```

To only update rootfs tarball on SD card connected to host machine or target Arm board:

```
$ flex-installer -r ls-image-main-<machine>.tar.gz -d /dev/mmcblk0 (or /dev/sdx)
```

To update both bootpartition and rootfs on SD card connected to host machine or target Arm board:

```
$ flex-installer -b <boot_partition> -r <rootfs> -d /dev/mmcblk0 (or /dev/sdx)
```

3.6 Downloading a TinyDistro image to a Layerscape board using flex-installer

Perform the following steps to download the TinyDistro image to a Layerscape board using flex-installer:

1. Connect the removable storage device to the Linux host machine.
2. Install flex-installer to deploy TinyDistro images (this is a one-time activity):

```
$ git clone https://github.com/nxp-imx/meta-nxp-desktop.git -b lf-6.1.55_2.2.0-mickledore
$ cp meta-nxp-desktop/scripts/flex-installer_1.14.2110.1f /usr/bin/flex-installer
$ sudo chmod a+x /usr/bin/flex-installer
$ which flex-installer
```

3. Execute the following flex-installer command to install TinyDistro image:

```
$ flex-installer -i pf -d <device>;
$ flex-installer -f <firmware_xxx.img> -d <device>
```

4. Unplug removable storage device from the Linux host and plug into the reference board. Ensure that the DIP switch settings on the board are correct to boot from the desired boot medium.
5. Power on the board and enter into U-Boot to allocate the Ethernet interface:

```
=> pri bootcmd
bootcmd=env exists mcinitcmd && mmcinfo; mmc read 0x80001000 0x6800 0x800;
env exists mcinitcmd && env exists secureboot && mmc read
0x806C0000 0x3600 0x20 && esbc_validate 0x806C0000;env exists mcinitcmd &&
fsl_mc lazyapply dpl 0x80001000;run distro_bootcmd;run sd_bootcmd;env
exists secureboot && esbc_halt;
=> mmc read 0x80001000 0x6800 0x800
=> fsl_mc lazyapply dpl 0x80001000
```

6. Run one of the following commands as applicable:

- => run sd_bootcmd (for SD/eMMC boot)
- => run nor_bootcmd (for IFC-NOR boot)
- => run qspi_bootcmd (for QSPI-NOR boot)
- => run xspi_bootcmd (for FlexSPI-NOR boot)

7. Log in to TinyDistro as `root/root` and bring up a network interface:

```
$ ifgonfig -a
# Dynamic IP address assignment:
$ udhcpc -i <port_name_in_TinyDistro>
# Static IP address assignment:
$ ifconfig <port_name_in_TinyDistro> <IP_address> netmask <netmask_address>
up
```

8. Download the board image:

```
$ wget <httpserver>/flex-installer.sh && chmod a+x flex-installer.sh && sudo
mv flex-installer.sh /usr/bin/flex-installer
$ wget <httpserver>/<firmware_xxx.img>
$ wget <httpserver>/<ls-image-main-xxx.tar.gz>
```

9. Execute the following `flex-installer` command to install the Layerscape image:

```
$ fdisk -l
$ flex-installer -i pf -d <device>;
$ flex-installer -f <firmware_xxx.img> -b <boot_xxx.tgz> -r <ls-image-
mainxxx.tar.gz> -d <device>
```

10. Reboot in the TinyDistro system:

```
$ reboot
```

3.7 Quick start guides for Layerscape boards

This section describes:

- [Quick start guide for FRWY-LS1012A](#)
- [Quick start guide for LS1012ARDB](#)
- [Quick start guide for TWR-LS1021A](#)
- [Quick start guide for LS1028ARDB](#)
- [Quick start guide for LS1043ARDB](#)
- [Quick start guide for FRWY-LS1046A](#)
- [Quick start guide for LS1046ARDB](#)
- [Quick start guide for LS1088ARDB](#)
- [Quick start guide for LS2088ARDB](#)
- [Quick start guide for LX2160ARDB Rev2](#)
- [Quick start guide for LX2162AQDS](#)

3.7.1 Quick start guide for FRWY-LS1012A

This section explains:

- [Introduction](#)
- [FRWY-LS1012A reference information](#)
- [Program Layerscape LDP composite firmware image](#)

3.7.1.1 Introduction

The following sections describe the procedure to program the Layerscape LDP composite firmware for FRWY-LS1012A. Also, this section explains the most common use case procedure to download and deploy Layerscape LDP default images to FRWY-LS1012A using `flex-installer`. For more information, see [Section 3.2](#).

For more information on the different components of the board, and on how to configure and boot the board, see [Layerscape LS1012A Freeway Board Getting Started Guide](#).

3.7.1.2 FRWY-LS1012A reference information

This section provides a general information about FRWY-LS1012A, which may come in handy as a reference while completing the steps for deploying Layerscape LDP that follow.

3.7.1.2.1 Ethernet port map

The table below shows the mapping between the labels on the FRWY-LS1012A, port in U-Boot and port in Linux.

Table 7. Ethernet port mapping

Label on board	Port in U-Boot	Port in Linux
ETH1	pfe_eth0	eth0
ETH2	pfe_eth1	eth1

3.7.1.2.2 System memory map

In 64-bit U-Boot, there is a 1:1 mapping of physical address and effective address. After system startup, the bootloader maps physical address and effective address as shown in the following table:

Start Physical Address	End Physical Address	Memory Type	Size
0x00_0000_0000	0x00_000F_FFFF	Secure boot ROM	1 MB
0x00_0100_0000	0x00_0FFF_FFFF	CCSR	240 MB
0x00_1000_0000	0x00_1000_FFFF	OCRAM1	64 KB
0x00_1001_0000	0x00_1001_FFFF	OCRAM2	64 KB
0x00_4000_0000	0x00_47FF_FFFF	QSPI	128 MB
0x00_8000_0000	0x00_FFFF_FFFF	DRAM	2 GB
0x40_0000_0000	0x47_FFFF_FFFF	PCI Express1	32G

3.7.1.2.3 Supported boot options

FRWY-LS1012A supports the following boot options:

- QSPI NOR Flash

Note: QSPI NOR flash is the only boot option available on the FRWY-LS1012A.

The FRWY-LS1012A supports onboard Winbond W25M161AWEIT single/dual/quad-SPI serial flash memory with 16 Mbit NOR and 1 Gbit NAND space in a single chip.

```
U-Boot 2020.04-21450-gbde1a7f (Sep 18 2020 - 21:55:22 +0800)
SoC: LS1012AE Rev2.0 (0x87040020)
Clock Configuration:
  CPU0 (A53):1000 MHz
  Bus: 250 MHz DDR: 1000 MT/s
Reset Configuration Word (RCW):
  00000000: 0800000a 00000000 00000000 00000000
  00000010: 33050000 c000000c 40000000 00001800
  00000020: 00000000 00000000 00000000 000c47f2
```

```

00000030: 00000000 1082a120 00000096 00000000
DRAM: 958 MiB
Using SERDES1 Protocol: 13061 (0x3305)
MMC: FSL_SDHC: 0, FSL_SDHC: 1
Loading Environment from SPI Flash... SF: Detected w25q16dw with page size 256
Bytes, erase size 4 KiB, total 2 MiB
OK
In: serial
Out: serial
Err: serial
Model: FRWY-LS1012A Board
Board: FRWY-LS1012A Version: RevC Net: SF: Detected w25q16dw with page size 256
Bytes, erase size 4 KiB, total 2 MiB
PFE class pe firmware for Linux
PFE tmu pe firmware for Linux
PFE class pe firmware for u-boot
PFE tmu pe firmware for u-boot
eth0: pfe_eth0, eth1: pfe_eth1

```

3.7.1.3 Program Layerscape LDP composite firmware image

To program the Layerscape LDP composite firmware image in the QSPI NOR flash on FRWY-LS1012A:

1. Copy firmware on host machine to TFTP server:

```
cp <build>/tmp/deploy/image/ls1021afrwy/firmware_ls1012afrwy_qspiboot.img ~/tftp/
```

2. Under U-Boot, download the firmware to the reference board using one of the following options:

- Load firmware from the TFTP server

```
=> tftp $load_addr firmware_ls1012afrwy_qspiboot.img
```

- Load firmware image from partition on mass storage device (SD, USB, or SATA)

```
=> load mmc <device:part> $load_addr firmware_ls1012afrwy_qspiboot.img
```

For example:

```
=> load mmc 0:2 $load_addr firmware_ls1012afrwy_qspiboot.img
```

Or

```
=> load usb <device:part> $load_addr firmware_ls1012afrwy_qspiboot.img
```

Or

```
=> load scsi <device:part> $load_addr firmware_ls1012afrwy_qspiboot.img
```

Note:

Use the following command if the SD card is formatted/created using Layerscape LDP flex-installer command:

```
=> load <interface> [<dev[:part]>] [<addr> [<filename> [bytes [pos]]]]
```

For example:

```
=> load mmc 0:2 $load_addr firmware_ls1012afrwy_qspiboot.img
```

Use the following command if the SD card is formatted/created on a Windows PC:

```
=> fatload <interface> [<dev[:part]>] [<addr> [<filename> [bytes [pos]]]]
```

For example:

```
=> fatload mmc 0:2 $load_addr firmware_ls1012afrawy_qspiboot.img
```

Use the following command if the SD card is formatted/created on a Linux PC:

```
=> ext2load <interface> [<dev[:part]> [<addr> [<filename> [bytes [pos]]]]]
```

For example:

```
=> ext2load mmc 0:2 $load_addr firmware_ls1012afrawy_qspiboot.img
```

The Layerscape LDP flex-installer command puts the images on the second partition, so that 0:2 is used in the load command. If the SD card is formatted on Windows PC or Linux PC for single partition only, then 0 should be used instead of 0:2 in the fatload/ext2load command.

3. Program the firmware to QSPI NOR flash:

```
=> sf probe 0:0
=> sf erase 0 +$filesize && sf write $load_addr 0 $filesize
```

4. Reset and boot the board from QSPI NOR flash:

Note: The system will automatically boot up TinyDistro (log in using root/root) or Layerscape LDP distro (log in using user/user) available on the removable storage device.

```
=> reset
```

3.7.1.4 Downloading a TinyDistro image to a Layerscape board using flex-installer

Perform the following steps to download the TinyDistro image to a Layerscape board using flex-installer:

1. Connect the removable storage device to the Linux host machine.
2. Install flex-installer to deploy TinyDistro images (this is a one-time activity):

```
$ git clone https://github.com/nxp-imx/meta-nxp-desktop.git -b
lf-6.1.55_2.2.0-mickledore
$ cp meta-nxp-desktop/scripts/flex-installer_1.14.2110.1f /usr/bin/flex-
installer
$ sudo chmod a+x /usr/bin/flex-installer
$ which flex-installer
```

3. Execute the following flex-installer command to install TinyDistro image:

```
$ flex-installer -i pf -d <device>;
$ flex-installer -f <firmware_xxx.img> -d <device>
```

4. Unplug removable storage device from the Linux host and plug into the reference board. Ensure that the DIP switch settings on the board are correct to boot from the desired boot medium.
5. Power on the board and enter into U-Boot to allocate the Ethernet interface:

```
=> pri bootcmd
bootcmd=env exists mcinitcmd && mmcinfo; mmc read 0x80001000 0x6800 0x800;
env exists mcinitcmd && env exists secureboot && mmc read
0x806C0000 0x3600 0x20 && esbc_validate 0x806C0000;env exists mcinitcmd &&
fsl_mc lazyapply dpl 0x80001000;run distro_bootcmd;run sd_bootcmd;env
exists secureboot && esbc_halt;
=> mmc read 0x80001000 0x6800 0x800
```

```
=> fsl_mc lazyapply dpl 0x80001000
```

6. Run one of the following commands as applicable:

- ```
=> run sd_bootcmd (for SD/eMMC boot)
```
- ```
=> run nor_bootcmd (for IFC-NOR boot)
```
- ```
=> run qspi_bootcmd (for QSPI-NOR boot)
```
- ```
=> run xspi_bootcmd (for FlexSPI-NOR boot)
```

7. Log in to TinyDistro as root/root and bring up a network interface:

```
$ ifconfig -a
# Dynamic IP address assignment:
$ udhcpc -i <port_name_in_TinyDistro>
# Static IP address assignment:
$ ifconfig <port_name_in_TinyDistro> <IP_address> netmask <netmask_address>
up
```

8. Download the board image:

```
$ wget <httpserver>/flex-installer.sh && chmod a+x flex-installer.sh && sudo
mv flex-installer.sh /usr/bin/flex-installer
$ wget <httpserver>/<firmware_xxx.img>
$ wget <httpserver>/<ls-image-main-xxx.tar.gz>
```

9. Execute the following flex-installer command to install the Layerscape image:

```
$ fdisk -l
$ flex-installer -i pf -d <device>;
$ flex-installer -f <firmware_xxx.img> -b <boot_xxx.tgz> -r <ls-image-
mainxxx.tar.gz> -d <device>
```

10. Reboot in the TinyDistro system:

```
$ reboot
```

3.7.2 Quick start guide for LS1012ARDB

This section explains:

- [Introduction](#)
- [LS1012ARDB reference information](#)
- [Program Layerscape LDP composite firmware image](#)

3.7.2.1 Introduction

The following sections describe the procedure to program Layerscape LDP composite firmware for LS1012ARDB. Also, this section explains the most common use case procedure to download and deploy Layerscape LDP default images to LS1012ARDB using flex-installer. For more information, see [Section 3.2](#).

For more information on the different components of the board, and on how to configure and boot the board, see [LS1012A Reference Design Board Getting Started Guide](#).

3.7.2.2 LS1012ARDB reference information

This section provides general information about LS1012ARDB which may come in handy as a reference while completing steps for deploying Layerscape LDP that follow.

3.7.2.2.1 Ethernet port map

The below table shows how the Ethernet ports map to Linux U-Boot, and labels on the 1U box.

Label on 1U box	Port name in U-Boot	Port name in Linux based userland	Comments
ETH_1	pfe_eth0	eth0	1G SGMII
ETH_2	pfe_eth1	eth1	1G RGMII

The following figures show the LS1012ARDB chassis front and rear views:



3.7.2.2.2 System memory map

Start physical address	End physical address	Memory type	Size
0x00_0000_0000	0x00_000F_FFFF	Secure Boot ROM	1 MB
0x00_0100_0000	0x00_0FFF_FFFF	CCSR	240 MB
0x00_1000_0000	0x00_1000_FFFF	OCRAM1	64 KB
0x00_1001_0000	0x00_1001_FFFF	OCRAM2	64 KB
0x00_4000_0000	0x00_5FFF_FFFF	QSPI	512 MB
0x00_8000_0000	0x00_FFFF_FFFF	DRAM	2 GB
0x08_8000_0000	0x0F_FFFF_FFFF	DRAM2	30G
0x40_0000_0000	0x47_FFFF_FFFF	PCI Express1	32G

3.7.2.2.3 Supported boot options

The supported boot option for LS1012ARDB is QSPI NOR flash.

3.7.2.2.4 Onboard switch options

The RDB has user-selectable switches for evaluating different boot options for the LS1012A device as given in the tables below ('0' is OFF, '1' is ON).

Table 8. Booting from QSPI NOR flash bank1

	1	2	3	4	5	6	7	8
SW1	1	0	1	0	0	1	1	0
SW2	0	0	0	0	0	0	0	0

Table 9. Booting from QSPI NOR flash bank2

	1	2	3	4	5	6	7	8
SW1	1	0	1	0	0	1	1	0
SW2	0	0	0	0	0	0	1	0

3.7.2.2.5 Flash bank usage

The LS1012ARDB supports onboard Spansion S25FS512SAGMFI011 quad-SPI serial flash memory with 64 MB space. There are two virtual banks on the RDB that can be selected through DIP switch settings (see Table 1 and Table 2 above).

To protect the default U-Boot in QSPI NOR flash bank1, it is a convention employed by NXP to deploy work images into QSPI NOR flash bank2, and then switch to QSPI NOR flash bank2 for testing. Switching to flash2 can be done in software using I2C commands and effectively swaps QSPI NOR flash bank1 with QSPI NOR flash bank2. This protects QSPI NOR flash bank1 and keeps the board bootable under all circumstances.

```
U-Boot 2020.04-21450-gbde1a7f (Sep 18 2020 - 21:58:27 +0800)
SoC: LS1012AE Rev2.0 (0x87040020)
Clock Configuration:
  CPU0 (A53):1000 MHz
  Bus:      250 MHz  DDR:      1000 MT/s
Reset Configuration Word (RCW):
  00000000: 0800000a 00000000 00000000 00000000
```

```
00000010: 35080000 c000000c 40000000 00001800
00000020: 00000000 00000000 00000000 00014571
00000030: 00000000 18c2a120 00000096 00000000
DRAM: 958 MiB
Using SERDES1 Protocol: 13576 (0x3508)
MMC: FSL_SDHC: 0, FSL_SDHC: 1
Loading Environment from SPI Flash... SF: Detected s25fs512s with page size 256
Bytes, erase size 256 KiB, total 64 MiB
OK
In: serial
Out: serial
Err: serial
Model: LS1012A RDB Board
Board: LS1012ARDB Version: RevE, boot from QSPI: bank2
Net: SF: Detected s25fs512s with page size 256 Bytes, erase size 256 KiB,
total 64 MiB
PFE class pe firmware for Linux
PFE tmu pe firmware for Linux
PFE class pe firmware for u-boot
PFE tmu pe firmware for u-boot
eth0: pfe_eth0, eth1: pfe_eth1
=>
```

How to boot from QSPI NOR flash bank2

Note:

To override the onboard DIP switch settings, use the I2C IO-expander.

1. To check which bank is booted, refer to the U-Boot log. The booted bank information, such as QSPI: bank1 or QSPI: bank2 is printed in the log.
For example, Board: LS1012ARDB Version: unknown, boot from QSPI: bank1
2. To switch from QSPI NOR flash bank1 to QSPI NOR flash bank2, use the i2c command `i2c mw 0x24 0x7 0xfc; i2c mw 0x24 0x3 0xf5`.
3. Program the QSPI flash as per the flash layout.
4. To boot from QSPI NOR flash bank2, use the `reset` command.
5. To move back to QSPI NOR flash bank1 from QSPI NOR flash bank2, power on or power off the board or use the `i2c mw 0x24 0x3 0xf4` command and then enter the `reset` command.

3.7.2.3 Program Layerscape LDP composite firmware image

To program Layerscape LDP composite firmware image in QSPI NOR flash on LS1012ARDB:

1. Copy firmware on host machine to TFTP server:

```
cp <build>/tmp/deploy/image/ls1012ardb/firmware_ls1012ardb_qspiboot.img ~/tftp/
```

2. Reset the board to boot from QSPI NOR flash 1. Check U-Boot log for the message:

```
Board: LS1012ARDB Version: unknown, boot from QSPI: bank1
```

3. Switch from QSPI NOR flash 1 to flash 2:

```
=> i2c mw 0x24 0x7 0xfc
```

```
=> i2c mw 0x24 0x3 0xf5
```

4. Under U-Boot, download the firmware to the reference board using one of the following options:

- Load firmware from the TFTP server

```
=> tftp $load_addr firmware_ls1012ardb_qspiboot.img
```

- Load firmware image from partition on mass storage device, such as SD, USB, or SATA:

```
=> load mmc <device:part> $load_addr firmware_ls1012ardb_qspiboot.img
```

For example, use the following load command based on the mass storage device selection:

```
=> load mmc 0:2 $load_addr firmware_ls1012ardb_qspiboot.img
```

Or

```
=> load usb <device:partition> $load_addr firmware_ls1012ardb_qspiboot.img
```

Or

```
=> load scsi <device:partition> $load_addr firmware_ls1012ardb_qspiboot.img
```

Note:

- Use the following command if the SD card is formatted/created:

- Use the following command if the SD card is formatted/created using Layerscape LDP flex-installer command:

```
=> load <interface> [<dev[:part]>] [<addr> [<filename> [bytes [pos]]]]
```

For example:

```
=> load mmc 0:2 $load_addr firmware_ls1012ardb_qspiboot.img
```

- Use the following command if the SD card is formatted/created on a Windows PC:

```
=> fatload <interface> [<dev[:part]>] [<addr> [<filename> [bytes [pos]]]]
```

For example:

```
=> fatload mmc 0:2 $load_addr firmware_ls1012ardb_qspiboot.img
```

- Use the following command if the SD card is formatted/created on a Linux PC:

```
=> ext2load <interface> [<dev[:part]>] [<addr> [<filename> [bytes [pos]]]]
```

For example:

```
=> ext2load mmc 0:2 $load_addr firmware_ls1012ardb_qspiboot.img
```

- The Layerscape LDP flex-installer command puts the images on the second partition, so 0:2 is used in the load command. If the SD card is formatted on Windows PC or Linux PC for single partition only, then 0 should be used instead of 0:2 in the fatload/ext2load command.

5. Program the firmware to QSPI NOR flash 2:

```
=> sf probe 0:0
=> sf erase 0 +$filesize && sf write $load_addr 0 $filesize
```

6. Reset and boot the board from QSPI NOR flash 2:

```
=> reset
```

The system will automatically boot up TinyDistro (log in using root/root) or Layerscape LDP distro (log in using user/user) available on the removable storage device.

3.7.3 Quick start guide for TWR-LS1021A

This section explains:

- [Introduction](#)
- [TWR-LS1021A reference information](#)
- [Program Layerscape LDP composite firmware image](#)

3.7.3.1 Introduction

The following sections describe the procedure to program Layerscape LDP composite firmware for TWR-LS1021A.

Also, this section explains the most common usecase procedure to download and deploy Layerscape LDP default images to TWR-LS1021A using flex-installer.

For more information, see [Section 3.2](#).

For more information on the different components of the board, and on how to configure and boot the board, see [TWR-LS1021A Reference Design Board Getting Started Guide](#).

3.7.3.2 TWR-LS1021A reference information

This section provides general information about TWR-LS1021A which may come in handy as a reference while completing steps for deploying Layerscape LDP that follow.

3.7.3.2.1 Port map

The table below shows the mapping between U-Boot port name and Linux TinyDistro port name.

Port name in U-Boot	Port name in TinyDistro
eTSEC1	eth0
eTSEC2	eth1
eTSEC3	eth2

3.7.3.2.2 System memory map

Start Physical Address	End Physical Address	Memory Type	Size
0x0100_0000	0x0FFF_FFFF	CCSR	240 MB
0x1000_0000	0x1000_FFFF	OCRAM0	64 KB
0x1001_0000	0x1001_FFFF	OCRAM1	64 KB
0x2000_0000	0x20FF_FFFF	DCSR	16 MB
0x4000_0000	0x5FFF_FFFF	QSPI	512 MB
0x6000_0000	0x67FF_FFFF	NOR Flash	128 MB
0x7FB0_0000	0x7FB0_0FFF	Board CPLD	4 KB
0x8000_0000	0xFFFF_FFFF	DDR	2 GB

3.7.3.2.3 Supported boot options

TWR-LS1021A supports the following boot options:

- NOR
- SD

3.7.3.2.4 Onboard switch options

The RDB has user selectable switches for evaluating different boot options for the TWR-LS1021A device as given in the table below ('0' is OFF, '1' is ON).

Boot source	SW2[1:8]	SW3[1:8]
NOR bank 0 (default)	10001111	01100101
NOR bank 1	10001111	01101101
SD card	00101111	01100101

Note that changing the boot device configuration from the default setting may require additional changes in the RCW or in other code images. For information on RCW naming convention for TWR-LS1021A, see <https://github.com/nxp-qoriq/rcw/blob/master/ls1021atwr/README>.

3.7.3.2.5 Flash Bank usage

TWR-LS1021A provides a special feature that allows a single NOR flash to be divided into multiple parts called “banks”. This is done by board-level logic that modifies address signals. As there is only one NOR flash physically, the banks are sometimes called "virtual" banks. The benefit of this feature is that it allows more than one set of images to be independently deployed to one NOR flash. This is very helpful during development because the U-Boot image in one bank can be used to program an image set into a different bank. If the new

images are flawed, the old images are still functional. The NOR flash on TWR-LS1021A is divided into two banks. The banks are called bank 0 and bank 1. To determine the current bank, refer to the example U-Boot log given below:

```
U-Boot 2020.04-gbdela7f952 (Sep 27 2020 - 17:36:54 +0800)
CPU: Freescale LayerScape LS1021E, Version: 2.0, (0x87081120)
Clock Configuration:
  CPU0 (ARMV7):1200 MHz,
  Bus:300 MHz, DDR:800 MHz (1600 MT/s data rate),
Reset Configuration Word (RCW):
  00000000: 0608000c 00000000 00000000 00000000
  00000010: 30000000 00007900 e0025a00 21046000
  00000020: 00000000 00000000 00000000 18000000
  00000030: 00080000 481b7340 00000000 00000000
Model: LS1021A TWR Board
Board: LS1021ATWR
CPLD: V3.2
PCBA: V2.0
VBank: 1
DRAM: 1 GiB
Using SERDES1 Protocol: 48 (0x30)
Firmware 'Microcode version 0.0.1 for LS1021a r1.0' for 1021 V1.0
QE: uploading microcode 'Microcode for LS1021a r1.0' version 0.0.1
Flash: 128 MiB
MMC: FSL_SDHC: 0
Loading Environment from Flash... OK
EEPROM: NXID v16777216
In: serial
Out: serial
Err: serial
SEC0: RNG instantiated
Net: eth0: ethernet@2d10000, eth1: ethernet@2d50000, eth2: ethernet@2d90000
=>
```

3.7.3.2.6 Boot option switching

Boot option switching can be performed in U-Boot using the following commands:

- To switch to NOR bank 0 (default):

```
=>boot_bank 0
```

- To switch to NOR bank 1:

```
=>boot_bank 1
```

3.7.3.3 Program Layerscape LDP composite firmware image

This section provides the steps to program the NOR firmware image to the IFC NOR flash on the TWR-LS1021A and SD firmware image to SD card on TWR-LS1021A.

3.7.3.3.1 Program Layerscape LDP composite NOR firmware image

To program the Layerscape LDP composite NOR firmware image to IFC NOR flash on TWR-LS1021A, perform the following steps:

1. Copy firmware on host machine to TFTP server:

```
$ cp <build>/tmp/deploy/image/ls1021atwr/firmware_ls1021atwr_norboot.img ~/tftp/
```

2. Reboot the board from NOR bank 0 and stop autoboot to enter U-Boot prompt.

3. Under U-Boot, download the firmware to the reference board using one of the following options:

- Load firmware from the TFTP server:

```
=> tftp $load_addr firmware_ls1021atwr_norboot.img
```

- Load the firmware image from partition on the mass storage device, such as SD, USB, or SATA:

```
=> load mmc <device:part> $load_addr firmware_ls1021atwr_norboot.img
```

For example, use any of the following command based on your mass storage device selection, such as SD, USB, or SATA:

```
=> load mmc 0:2 $load_addr firmware_ls1021atwr_norboot.img
```

or

```
=> load usb <device:part> $load_addr firmware_ls1021atwr_norboot.img
```

or

```
=> load scsi <device:part> $load_addr firmware_ls1021atwr_norboot.img
```

Note:

– Use the following commands if the SD card is formatted/created:

- Use the following command if the SD card is formatted/created using Layerscape LDP flex-installer command:

```
=> load <interface> [<dev[:part]>] [<addr> [<filename> [bytes [pos]]]]
```

For example:

```
=> load mmc 0:2 $load_addr firmware_ls1021atwr_norboot.img
```

- Use the following command if the SD card is formatted/created on a Windows PC:

```
=> fatload <interface> [<dev[:part]>] [<addr> [<filename> [bytes [pos]]]]
```

For example:

```
=> fatload mmc 0:2 $load_addr firmware_ls1021atwr_norboot.img
```

- Use the following command if the SD card is formatted/created on a Linux PC:

```
=> ext2load <interface> [<dev[:part]>] [<addr> [<filename> [bytes [pos]]]]
```

For example:

```
=> ext2load mmc 0:2 $load_addr firmware_ls1021atwr_norboot.img
```

- The Layerscape LDP flex-installer command puts the images on the second partition, so 0:2 is used in the load command.

If the SD card is formatted on Windows PC or Linux PC for single partition only, then 0 should be used instead of 0:2 in the fatload/ext2load command.

4. Program the composite firmware into the IFC NOR flash using the following steps:

- To program the alternate bank:

```
=> protect off 64000000 +$filesize && erase 64000000 +$filesize && cp.b
    $load_addr 64000000 $filesize
```

- To program the current bank:

```
=> protect off 60000000 +$filesize && erase 60000000 +$filesize && cp.b
    $load_addr 60000000 $filesize
```

5. Reset and boot the board from IFC NOR flash:

- To boot from NOR flash bank 1.

```
=> boot_bank 1
```

- To boot from NOR flash bank 0.

```
=> boot_bank 0
```

The system will automatically boot up TinyDistro (log in using root/root) or Layerscape LDP distro (log in using user/user) available on the removable storage device.

3.7.3.3.2 Program Layerscape LDP composite SD firmware image

To program Layerscape LDP composite SD firmware image to SD card on TWR-LS1021A, perform the following steps:

1. Copy firmware on host machine to TFTP server.

```
cp <build>/tmp/deploy/image/ls1021atwr/firmware_ls1021atwr_sdboot.img ~/tftp/
```

2. Reboot the board from NOR bank 0 and stop autoboot to enter U-Boot prompt.

3. Under U-Boot, download the firmware to the reference board using one of the following options:

- Load firmware from the TFTP server:

```
=> tftp $load_addr firmware_ls1021atwr_sdboot.img
```

- Load the firmware image from partition on the mass storage device, such as SD, USB, or SATA:

```
=> load mmc <device:part> $load_addr firmware_ls1021atwr_sdboot.img
```

For example:

```
=> load mmc 0:2 $load_addr firmware_ls1021atwr_sdboot.img
```

or

```
=> load usb <device:partition> $load_addr firmware_ls1021atwr_sdboot.img
```

or

```
=> load scsi <device:part> $load_addr firmware_ls1021atwr_sdboot.img
```

Note:

- – Use the following command if the SD card is formatted/created using Layerscape LDP flex-installer command:

```
=> load <interface> [<dev[:part]> [<addr> [<filename> [bytes [pos]]]]]
```

For example:

```
=> load mmc 0:2 $load_addr firmware_ls1021atwr_sdboot.img
```

- Use the following command if the SD card is formatted/created on a Windows PC:

```
=> fatload <interface> [<dev[:part]>] [<addr> [<filename> [bytes  
[pos]]]]
```

For example:

```
=> fatload mmc 0:2 $load_addr firmware_ls1021atwr_sdboot.img
```

- Use the following command if the SD card is formatted/created on a Linux PC:

```
=> ext2load <interface> [<dev[:part]>] [<addr> [<filename> [bytes  
[pos]]]]
```

For example:

```
=> ext2load mmc 0:2 $load_addr firmware_ls1021atwr_sdboot.img
```

- The Layerscape LDP flex-installer command puts the images on the second partition, so 0:2 is used in the load command. If the SD card is formatted on Windows PC or Linux PC for single partition only, then 0 should be used instead of 0:2 in the fatload/ext2load command.

4. Write the firmware to SD card:

```
=> mmc dev 0; mmc write $load_addr 8 1f000
```

Ensure the DIP switch settings on the board are for SD card.

5. Reset and boot the board from SD card:

```
=> reset
```

The system will automatically boot up TinyDistro (log in using root/root) or Layerscape LDP distro (log in using user/user) available on the removable storage device.

3.7.4 Quick start guide for LS1028ARDB

This section explains:

- [Introduction](#)
- [LS1028ARDB reference information](#)
- [Program Layerscape LDP composite firmware image](#)

3.7.4.1 Introduction

The following sections describe the procedure to program Layerscape LDP composite firmware for LS1028ARDB. Also, this section explains the most common use case procedure to download and deploy Layerscape LDP default images to LS1028ARDB using flex-installer. For more information, see [Section 3.2](#).

For more information on the different components of the board, and on how to configure and boot the board, see [LS1028A Reference Design Board Getting Started Guide](#).

3.7.4.2 LS1028ARDB reference information

This section provides general information about LS1028ARDB which may come in handy as a reference while completing steps for deploying Layerscape LDP images that are mentioned in sections that follow.

3.7.4.2.1 Ethernet port map

Port name in chassis	Port name in U-Boot	Port name in Yocto based TinyDistro	Port name in Linux based userland	Description
1G MAC1	enetc-0	eno0	eno0	ENETC PF 0 connected over SGMII on SoC lane A
1G SWP0	swp0	swp0	swp0	Ethernet switch port 0 Switch front panel ports are all connected over QSGMII on SoC lane B
1G SWP1	swp1	swp1	swp1	Ethernet switch port 1
1G SWP2	swp2	swp2	swp2	Ethernet switch port 2
1G SWP3	swp3	swp3	swp3	Ethernet switch port 3

3.7.4.2.2 System memory map

Table 10. System memory map

Start address	End address	Size	Allocation	Comment
0x0000_0000_0000	0x0000_000F_FFFF	1 MB	CCSR - Boot ROM	64 KB
0x0000_0010_0000	0x0000_00FF_FFFF	15 MB	Reserved	
0x0000_0100_0000	0x0000_0FFF_FFFF	240 MB	CCSR	
0x0000_1000_0000	0x0000_10FF_FFFF	16 MB	Reserved	
0x0000_1100_0000	0x0000_11FF_FFFF	16 MB	Reserved	
0x0000_1200_0000	0x0000_13FF_FFFF	32 MB	Reserved	
0x0000_1400_0000	0x0000_17FF_FFFF	64 MB	Reserved	
0x0000_1800_0000	0x0000_181F_FFFF	2 MB	OCRAM	128 KB
0x0000_1820_0000	0x0000_182F_FFFF	1 MB	Reserved	
0x0000_1830_0000	0x0000_18FF_FFFF	13 MB	Reserved	
0x0000_1900_0000	0x0000_19FF_FFFF	16 MB	CoreSight STM	16 MB
0x0000_1A00_0000	0x0000_1BFF_FFFF	32 MB	Reserved	
0x0000_1C00_0000	0x0000_1CFF_FFFF	16 MB	Reserved	
0x0000_1D00_0000	0x0000_1FFF_FFFF	48 MB	Reserved	
0x0000_2000_0000	0x0000_2FFF_FFFF	256 MB	FlexSPI Region #1	More FlexSPI space below
0x0000_3000_0000	0x0000_3FFF_FFFF	256 MB	Reserved	
0x0000_4000_0000	0x0000_5FFF_FFFF	512 MB	Reserved	
0x0000_6000_0000	0x0000_7FFF_FFFF	512 MB	Reserved	
0x0000_8000_0000	0x0000_9FFF_FFFF	512 MB	GPP DRAM Region #1(0-2 GB)	
0x0000_A000_0000	0x0000_BFFF_FFFF	512 MB		
0x0000_C000_0000	0x0000_DFFF_FFFF	512 MB		

Table 10. System memory map...continued

Start address	End address	Size	Allocation	Comment
0x0000_E000_0000	0x0000_FFFF_FFFF	512 MB		
0x0001_0000_0000	0x0001_EFFF_FFFF	3.75 GB	Reserved	
0x0001_F000_0000	0x0001_F07F_FFFF	8 MB	ECAM config space	Embedded RC +EPECAM (256 MB)
0x0001_F080_0000	0x0001_F09F_FFFF	2 MB	Register block space	
0x0001_F0A0_0000	0x0001_F7FF_FFFF	118 MB	Reserved	
0x0001_F800_0000	0x0001_F83F_FFFF	4 MB	Reserved	
0x0001_F840_0000	0x0001_FBFF_FFFF	60 MB	Reserved	
0x0001_FC00_0000	0x0001_FC3F_FFFF	4 MB	Reserved	
0x0001_FC40_0000	0x0001_FFFF_FFFF	60 MB	Reserved	
0x0002_0000_0000	0x0003_FFFF_FFFF	8 GB	Reserved	
0x0004_0000_0000	0x0004_0FFF_FFFF	256 MB	SPI Hole	
0x0004_1000_0000	0x0004_FFFF_FFFF	3.75 GB	FlexSPI Region #2 (256 MB - 4 GB)	3.75 GB
0x0005_0000_0000	0x0005_FFFF_FFFF	4 GB	Reserved	
0x0006_0000_0000	0x0006_FFFF_FFFF	4 GB	Reserved	
0x0007_0000_0000	0x0007_3FFF_FFFF	1 GB	DCSR	
0x0007_4000_0000	0x0007_FFFF_FFFF	3 GB	Reserved	
0x0008_0000_0000	0x0008_1FFF_FFFF	512 MB	Reserved	
0x0008_2000_0000	0x000B_FFFF_FFFF	15.5 GB	Reserved	
0x000C_0000_0000	0x000F_FFFF_FFFF	16 GB	Reserved	
0x0010_0000_0000	0x001F_FFFF_FFFF	64 GB	Reserved	
0x0020_0000_0000	0x0020_7FFF_FFFF	2 GB	Reserved	
0x0020_8000_0000	0x003F_FFFF_FFFF	126 GB	GPP DRAM Region #2	
0x0040_0000_0000	0x005F_FFFF_FFFF	128 GB	Reserved	
0x0060_0000_0000	0x007F_FFFF_FFFF	128 GB	GPP DRAM Region #3	
0x0080_0000_0000	0x0087_FFFF_FFFF	32 GB	PCI Express 1	High-speed I/O (0x0080_0000_0000 - 0x00FF_FFFF_FFFF)
0x0088_0000_0000	0x008F_FFFF_FFFF	32 GB	PCI Express 2	

3.7.4.2.3 Supported boot options

LS1028ARDB supports the following boot options:

- FlexSPI NOR flash (referred to as "FSPI" or "FSPI flash" in the following sections). CS refers to Chip Select.
- eMMC
- SD card (SDHC1)

3.7.4.2.4 Onboard switch options

The LS1028ARDB board supports user selectable switches for evaluating different boot options for the LS1028A device as given in the table below ('0' is OFF, '1' is ON).

Boot source	SW2[1:8]	SW3[1:8]	SW5[1:8]
FSPI NOR (default)	1111_1000	1111_0000	0011_1001
SD Card (SDHC1)	1000_1000	1111_0000	0011_1001
eMMC	1001_1000	1111_0000	0011_1001

In addition to the above switch settings, make sure the following jumper settings are correct.

Table 11. LS1028ARDB jumper settings

Jumper	Type	Name/function	Description
J6	1x2-pin connector	TA_BB_EN enable	Open: TA_BB_TMP_DETECT_B pin is High (default value) Shorted: TA_BB_TMP_DETECT_B pin is Low
J7	1x2-pin connector	VBAT_EN	Open: Disable battery backup for TA_BB_VDD (default value) Shorted: Enable battery backup for TA_BB_VDD
J27	1x2-pin connector	PROG_MTR voltage control (for NXP use only)	Open: PROG_MTR pin is powered off (default value) Shorted: PROG_MTR pin is powered by OVDD (1.8 V)
J28	1x2-pin connector	TA_PROG_SFP voltage control (for NXP use only)	Open: TA_PROG_SFP pin is powered off (default value) Shorted: TA_PROG_SFP pin is powered by OVDD (1.8 V)

3.7.4.2.5 FlexSPI NOR Flash Chip-select

FlexSPI NOR flash is a simple and convenient destination for deploying images so it is frequently used.

The benefit of this feature is that it allows more than one set of images to be independently deployed to the one NOR flash. This is very helpful during development because you can use the U-Boot image in one chip-select to program an image set into a different chip-select. If the new images are flawed, the old images are still functional to let you deploy corrected images.

The logic on the board usually allows the NOR flash to be accessed from different CS (chip select) option. Each CS is connected to dedicated flash devices. U-Boot prints which CS is loaded from. The output looks like following.

```
=> NOTICE: Fixed DDR on board
NOTICE: 4 GB DDR4, 32-bit, CL=11, ECC on
NOTICE: BL2: v1.5(release):LSDK-20.12-Internal
NOTICE: BL2: Built : 07:04:31, Nov 14 2020
NOTICE: BL2: Booting BL31
NOTICE: BL31: v1.5(release):LSDK-20.12-Internal
NOTICE: BL31: Built : 07:04:34, Nov 14 2020
NOTICE: Welcome to LS1028 BL31 Phase
U-Boot 2020.04-gc7ec91b1f4 (Nov 14 2020 - 07:04:19 +0800)
SoC: LS1028AE Rev1.0 (0x870b0010)
```

```

Clock Configuration:
  CPU0 (A72):1500 MHz   CPU1 (A72):1500 MHz
  Bus:      400 MHz   DDR:      1600 MT/s
Reset Configuration Word (RCW):
  00000000: 3c004010 00000030 00000000 00000000
  00000010: 00000000 018f0000 0030c000 00000000
  00000020: 020031a0 00002580 00000000 00003296
  00000030: 00000000 00000010 00000000 00000000
  00000040: 00000000 00000000 00000000 00000000
  00000050: 00000000 00000000 00000000 00000000
  00000060: 00000000 00000000 200e705a 00000000
  00000070: bb580000 00000000
Model: NXP Layerscape 1028a RDB Board
Board: LS1028AE Rev1.0-RDB, Version: C, boot from NOR
FPGA: v5 (RDB)
SERDES1 Reference : Clock1 = 100.00MHz Clock2 = 100.00MHz
DRAM:  3.9 GiB
DDR    3.9 GiB (DDR4, 32-bit, CL=11, ECC on)
Using SERDES1 Protocol: 47960 (0xbb58)
PCIe1: pcie@3400000 Root Complex: no link
PCIe2: pcie@3500000 Root Complex: no link
WDT:   Started with servicing (60s timeout)
MMC:   FSL_SDHC: 0, FSL_SDHC: 1
Loading Environment from SPI Flash... SF: Detected mt35xu02g with page size 256
  Bytes, erase size 128 KiB, total 256 MiB
OK
EEPROM: NXID v1
In:    serial
Out:   serial
Err:   serial
Net:   eth0: enetc-0, eth2: enetc-2, eth4: swp0, eth5: swp1, eth6: swp2, eth7:
  swp3
=>

```

Boot option switching can be performed in U-Boot using the following statements.

- Switch to FlexSPI NOR flash (default):

```
=>qixis_reset
```

- Switch to SD:

```
=>qixis_reset sd
```

- Switch to eMMC:

```
=>qixis_reset emmc
```

3.7.4.3 Program Layerscape LDP composite firmware image

This section explains the steps to program the FlexSPI NOR firmware image to FlexSPI NOR flash on the LS1028ARDB and SD/eMMC firmware image to SD/eMMC card on LS1028ARDB.

3.7.4.3.1 Program Layerscape LDP composite firmware image to FlexSPI NOR flash

To program Layerscape LDP composite firmware image to FlexSPI NOR flash on LS1028ARDB:

1. Copy firmware on host machine to TFTP server:

```
$ cp <build>/tmp/deploy/image/ls1028ardb/firmware_ls1028ardb_xspiboot.img ~/tftp/
```

2. Reboot the board from FlexSPI NOR flash and stop autoboot to enter U-Boot prompt.

3. Under U-Boot, download the firmware to the reference board using one of the following options:

- Load firmware from the TFTP server

```
=> tftp $load_addr firmware_ls1028ardb_xspiboot.img
```

- Load firmware image from partition on mass storage device (SD, USB, or SATA)

```
=> load mmc <device:part> $load_addr firmware_ls1028ardb_xspiboot.img
```

For example:

```
=> load mmc 0:2 $load_addr firmware_ls1028ardb_xspiboot.img
```

Or

```
=> load usb <device:part> $load_addr firmware_ls1028ardb_xspiboot.img
```

Or

```
=> load scsi <device:part> $load_addr firmware_ls1028ardb_xspiboot.img
```

Note:

– Use the following command if the SD card is formatted/created:

- Use the following command if the SD card is formatted/created using Layerscape LDP flex-installer command:

```
=> load <interface> [<dev[:part]>] [<addr> [<filename> [bytes [pos]]]]
```

For example:

```
=> load mmc 0:2 $load_addr firmware_ls1028ardb_xspiboot.img
```

- Use the following command if the SD card is formatted/created on a Windows PC:

```
=> fatload <interface> [<dev[:part]>] [<addr> [<filename> [bytes [pos]]]]
```

For example:

```
=> fatload mmc 0:2 $load_addr firmware_ls1028ardb_xspiboot.img
```

- Use the following command if the SD card is formatted/created on a Linux PC:

```
=> ext2load <interface> [<dev[:part]>] [<addr> [<filename> [bytes [pos]]]]
```

For example:

```
=> ext2load mmc 0:2 $load_addr firmware_ls1028ardb_xspiboot.img
```

– The Layerscape LDP flex-installer command puts the images on the second partition, so 0:2 is used in the `load` command. If the SD card is formatted on Windows PC or Linux PC for single partition only, then 0 should be used instead of 0:2 in the `fatload/ext2load` command.

4. Program the firmware to FlexSPI NOR flash:

```
=> sf probe 0:0
=> sf erase 0 +$filesize && sf write $load_addr 0 $filesize
```

5. Reset and boot the board from FlexSPI NOR flash:

```
=> qixis_reset
```

The system will automatically boot up TinyDistro (log in using root/root) or Layerscape LDP distro (log in using user/user) available on the removable storage device.

3.7.4.3.2 Program Layerscape LDP composite firmware image to SD/eMMC

To program Layerscape LDP composite firmware image to SD/eMMC on LS1028ARDB:

1. Copy firmware on host machine to TFTP server.

- For SD boot:

```
$ cp <build>/tmp/deploy/image/ls1028ardb/firmware_ls1028ardb_sdboot.img ~/tftp/
```

- For eMMC boot:

```
cp <build>/tmp/deploy/image/ls1028ardb/firmware_ls1028ardb_emmcboot.img ~/tftp/
```

2. Reboot the board from FlexSPI NOR flash and stop autoboot to enter U-Boot prompt.
3. Under U-Boot, download the firmware to the reference board using one of the following options:

- Load firmware from the TFTP server

For SD boot:

```
=> tftp $load_addr firmware_ls1028ardb_sdboot.img
```

For eMMC boot:

```
=> tftp $load_addr firmware_ls1028ardb_emmcboot.img
```

- Load firmware image from partition on mass storage device (SD, USB, or SATA)

For SD boot:

```
=> load mmc <device:part> $load_addr firmware_ls1028ardb_sdboot.img
```

For example:

```
=> load mmc 0:2 $load_addr firmware_ls1028ardb_sdboot.img
```

or

```
=> load usb <device:part> $load_addr firmware_ls1028ardb_sdboot.img
```

or

```
=> load scsi <device:partition> $load_addr firmware_ls1028ardb_sdboot.img
```

For eMMC boot:

```
=> load mmc <device:part> $load_addr firmware_ls1028ardb_emmcboot.img
```

For example:

```
=> load mmc 0:2 $load_addr firmware_ls1028ardb_emmcboot.img
```

or

```
=> load usb <device:part> $load_addr firmware_ls1028ardb_emmcboot.img
```

or

```
=> load scsi <device:part> $load_addr firmware_ls1028ardb_emmcboot.img
```


Note:

– Use the following command if the SD card is formatted/created

- Use the following command if the SD card is formatted/created using Layerscape LDP flex-installer command:

```
=> load <interface> [<dev[:part]>] [<addr> [<filename> [bytes [pos]]]]
```

For example:

```
=> load mmc 0:2 $load_addr firmware_ls1028ardb_emmcboot.img
```

- Use the following command if the SD card is formatted/created on a Windows PC:

```
=> fatload <interface> [<dev[:part]>] [<addr> [<filename> [bytes [pos]]]]
```

For example:

```
=> fatload mmc 0:2 $load_addr firmware_ls1028ardb_emmcboot.img
```

- Use the following command if the SD card is formatted/created on a Linux PC:

```
=> ext2load <interface> [<dev[:part]>] [<addr> [<filename> [bytes [pos]]]]
```

For example:

```
=> ext2load mmc 0:2 $load_addr firmware_ls1028ardb_emmcboot.img
```

– The Layerscape LDP flex-installer command puts the images on the second partition, so 0:2 is used in the `load` command. If the SD card is formatted on Windows PC or Linux PC for single partition only, then 0 should be used instead of 0:2 in the `fatload/ext2load` command.

4. Program the firmware to SD card:

```
=> mmc dev 0;mmc write $load_addr 8 1fff8
```

5. Program the firmware to eMMC card:

```
=> mmc dev 1;mmc write $load_addr 8 1fff8
```

6. Reset and boot the board from SD/eMMC card.

The system will automatically boot up TinyDistro (log in using root/root) or Layerscape LDP distro (log in using user/user) available on the removable storage device.

- For SD boot:

```
=> qixis_reset sd
```

- For eMMC boot:

```
=> qixis_reset emmc
```

3.7.5 Quick start guide for LS1043ARDB

This section explains:

- [Introduction](#)
- [LS1043ARDB reference information](#)
- [LS1043ARDB recovery information](#)
- [Program Layerscape LDP composite firmware image](#)
- [Frame Manager Configuration \(FMC\) tool](#)

3.7.5.1 Introduction

The following sections describe the procedure to program Layerscape LDP composite firmware for LS1043ARDB. Also, this section explains the most common use case procedure to download and deploy Layerscape LDP default images to LS1043ARDB using flex-installer. For more information, see [Section 3.2](#).

For more information on the different components of the board, and on how to configure and boot the board, see [LS1043A Reference Design Board Getting Started Guide](#).

For a list of brief how-tos to help you modify/update individual Layerscape LDP components such as, TF-A binaries, Linux kernel, DPAA1 FMan microcode on LS1043ARDB when booting the board from a specific boot source, such as NOR, NAND, or SD, see [NXP community](#).

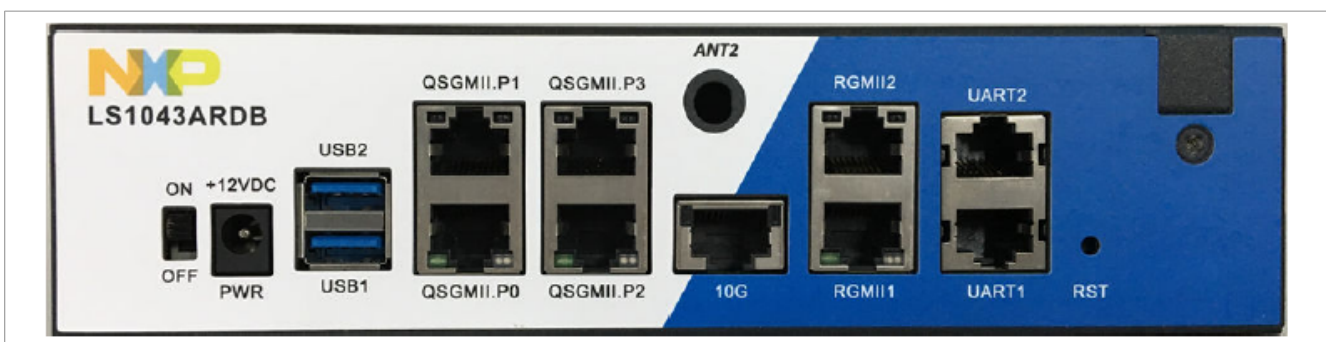
3.7.5.2 LS1043ARDB reference information

This section provides general information about LS1043ARDB which may come in handy as a reference while completing steps for deploying Layerscape LDP that follow.

3.7.5.2.1 Port map

The port name in Linux TinyDistro corresponding to each of the six ports on the reference board chassis is given in the table below.

Port name on chassis	Port name in U-Boot	Port name in Tinydistro	Port name in Linux
QSGMII.P0	FM1@DTSEC1	eth0	fm1-mac1
QSGMII.P1	FM1@DTSEC2	eth1	fm1-mac2
RGMI1	FM1@DTSEC3	eth2	fm1-mac3
RGMI2	FM1@DTSEC4	eth3	fm1-mac4
QSGMII.P2	FM1@DTSEC5	eth4	fm1-mac5
QSGMII.P3	FM1@DTSEC6	eth5	fm1-mac6
10G Copper	FM1@TGEC1	eth6	fm1-mac9



3.7.5.2.2 System memory map

Start Physical Address	End Physical Address	Memory Type	Size
0x00_0000_0000	0x00_000F_FFFF	Secure Boot ROM	1 MB
0x00_0100_0000	0x00_0FFF_FFFF	CCSRBAR	240 MB
0x00_1000_0000	0x00_1000_FFFF	OCRAM0	64 KB

Start Physical Address	End Physical Address	Memory Type	Size
0x00_1001_0000	0x00_1001_FFFF	OCRAM1	64 KB
0x00_2000_0000	0x00_20FF_FFFF	DCSR	16 MB
0x00_6000_0000	0x00_67FF_FFFF	IFC - NOR Flash	128 MB
0x00_7E80_0000	0x00_7E80_FFFF	IFC - NAND Flash	64 KB
0x00_7FB0_0000	0x00_7FB0_0FFF	IFC - FPGA	4 KB
0x00_8000_0000	0x00_FFFF_FFFF	DRAM1	2 GB

3.7.5.2.3 Supported boot options

LS1043ARDB supports the following boot options:

- NOR
- NAND
- SD

3.7.5.2.4 Onboard switch options

The RDB has user selectable switches for evaluating different boot options for the LS1043A device as given in the table below ('0' is OFF, '1' is ON).

Boot source	SW3[1:8]	SW4[1:8]	SW5[1:8]
NOR bank 0 (default)	10110011	00010010	10100010
NOR bank 4	10110011	00010010	10100110
SD card	10110011	00100000	00100010
NAND	10110011	10000010	10100110

3.7.5.2.5 NOR Flash (Virtual) Banks

LS1043ARDB provides a special feature that allows a single NOR flash to be divided into multiple parts called “banks”. This is done by board-level logic that modifies address signals. As there is only one NOR flash physically, the banks are sometimes called "virtual" banks. The benefit of this feature is that it allows more than one set of images to be independently deployed to one NOR flash. This is very helpful during development because the U-Boot image in one bank can be used to program an image set into a different bank. If the new images are flawed, the old images are still functional. The logic on the board usually allows the NOR flash to be divided into up to 8 banks, but the NOR flash on LS1043ARDB is divided into two halves. The halves are called bank 0 and bank 4. Bank switching can be done in software using cpld commands. To determine the current bank, refer to the example U-Boot log given below:

```
U-Boot 2020.04-gc7ec91b1f4 (Nov 12 2020 - 06:46:07 +0800)
SoC: LS1043AE Rev1.1 (0x87920011)
Clock Configuration:
  CPU0 (A53):1600 MHz
  CPU1 (A53):1600 MHz
  CPU2 (A53):1600 MHz
  CPU3 (A53):1600 MHz
  Bus: 400 MHz DDR: 1600 MT/s FMAN: 500 MHz
Reset Configuration Word (RCW):
  00000000: 08100010 0a000000 00000000 00000000
  00000010: 14550002 80004012 e0025000 c1002000
```

```

00000020: 00000000 00000000 00000000 00038800
00000030: 00000000 00001101 00000096 00000001
Model: LS1043A RDB Board
Board: LS1043ARDB, boot from vBank 4
CPLD: V2.0
PCBA: V6.0
SERDES Reference Clocks:
SD1_CLK1 = 156.25MHZ, SD1_CLK2 = 100.00MHZ
DRAM: 1.9 GiB (DDR4, 32-bit, CL=11, ECC off)
Using SERDES1 Protocol: 5205 (0x1455)
SEC0: RNG instantiated
Firmware 'Microcode version 0.0.1 for LS1021a r1.0' for 1021 V1.0
QE: uploading microcode 'Microcode for LS1021a r1.0' version 0.0.1
Flash: 128 MiB
NAND: 512 MiB
MMC: FSL_SDHC: 0
Loading Environment from Flash... OK
EEPROM: NXID v1
In: serial
Out: serial
Err: serial
Net: Fman1: Uploading microcode version 106.4.18
PCIE1: pcie@3400000 disabled
PCIE2: pcie@3500000 Root Complex: no link
PCIE3: pcie@3600000 Root Complex: x1 gen1
e1000: 00:15:17:5c:63:d5
        FM1@DTSEC1, FM1@DTSEC2, FM1@DTSEC3, FM1@DTSEC4, FM1@DTSEC5, FM1@DTSEC6,
        FM1@TGEC1, e1000#0
[PRIME]
Warning: e1000#0 MAC addresses don't match:
Address in SROM is 00:15:17:5c:63:d5
Address in environment is 00:e0:0c:00:22:07
Warning: e1000#0 failed to set MAC address
=>
=>

```

3.7.5.2.6 Boot option switching

Boot switching can be performed in U-Boot using the following commands:

- Switch to NOR bank 0 (default):

```
=>cpld reset
```

- Switch to NOR bank 4:

```
=>cpld reset altbank
```

- Switch to NAND:

```
=>cpld reset nand
```

- Switch to SD:

```
=>cpld reset sd
```

3.7.5.3 LS1043ARDB recovery information

If LS1043ARDB board fails to boot from NOR bank 0, you can recover NOR bank 0 from NOR bank 4 by following these steps:

1. Run the command:

```
$ cp <build>/tmp/deploy/image/ls1043ardb/firmware_ls1043ardb_norboot.img ~/tftp
```

2. Boot LS1043ARDB from NOR bank 4 with the following switch settings:

```
SW3 = 10110011, SW4 = 00010010, SW5 = 10100110
```

3. Program NOR bank 0 from NOR bank 4:

```
=> tftp $load_addr firmware_ls1043ardb_norboot.img => protect off 64000000 + $filesize && erase 64000000 + $filesize && cp.b $load_addr 64000000 $filesize
```

4. Reset and boot the board from NOR bank 0:

```
=> cpld reset
```

Note: If LS1043ARDB fails to boot from both the NOR banks, you need to recover the board using **CodeWarrior for LS Series, Arm v8 ISA**. For steps to recover the board using the CodeWarrior tool, see section "8.6 Board Recovery" in [ARM V8 ISA, Targeting Manual](#)

3.7.5.4 Program Layerscape LDP composite firmware image

This topic explains steps to program NOR firmware image to IFC NOR flash on LS1043ARDB and SD firmware image to SD card on LS1043ARDB.

To program Layerscape LDP composite NOR firmware image to IFC NOR flash on LS1043ARDB:

1. Copy firmware on host machine to TFTP server.

```
$ cp <build>/tmp/deploy/image/ls1043ardb/firmware_ls1043ardb_norboot.img ~/tftp
```

2. Reboot the board from NOR flash bank 0 and stop autoboot to enter U-Boot prompt.
3. Under U-Boot, download the firmware to the reference board using one of the following options:

- Load firmware from the TFTP server

```
=> tftp $load_addr firmware_ls1043ardb_norboot.img
```

- Load firmware image from partition on mass storage device (SD, USB, or SATA)

```
=> load mmc <device:part> $load_addr firmware_ls1043ardb_norboot.img
```

For example:

```
=> load mmc 0:2 $load_addr firmware_ls1043ardb_norboot.img
```

or

```
=> load usb <device:part> $load_addr firmware_ls1043ardb_norboot.img
```

or

```
=> load scsi <device:partition> $load_addr firmware_ls1043ardb_norboot.img
```

Note:

Use the following command if the SD card is formatted/created using Layerscape LDP flex-installer command:

```
=> load <interface> [<dev[:part]>] [<addr> [<filename> [bytes [pos]]]]
```

For example:

```
=> load mmc 0:2 $load_addr firmware_ls1043ardb_norboot.img
```

Use the following command if the SD card is formatted/created on a Windows PC:

```
=> fatload <interface> [<dev[:part]>] [<addr> [<filename> [bytes [pos]]]]
```

For example:

```
=> fatload mmc 0:2 $load_addr firmware_ls1043ardb_norboot.img
```

Use the following command if the SD card is formatted/created on a Linux PC:

```
=> ext2load <interface> [<dev[:part]>] [<addr> [<filename> [bytes [pos]]]]
```

For example:

```
=> ext2load mmc 0:2 $load_addr firmware_ls1043ardb_norboot.img
```

Also note that Layerscape LDP flex-installer command puts the images on the second partition, so 0:2 is used in the `load` command. If the SD card is formatted on Windows PC or Linux PC for single partition only, then 0 should be used instead of 0:2 in the `fatload/ext2load` command.

4. Program the composite firmware into IFC NOR flash.

- To program alternate bank:

```
=> protect off 64000000 +$filesize && erase 64000000 +$filesize && cp.b
    $load_addr 64000000 $filesize
```

- To program current bank:

```
=> protect off 60000000 +$filesize && erase 60000000 +$filesize && cp.b
    $load_addr 60000000 $filesize
```

5. Reset and boot the board from IFC NOR flash. The system will automatically boot up TinyDistro (log in using root/root) or Layerscape LDP distro (log in using user/user) available on the removable storage device.

- To boot from NOR flash bank 0.

```
=> cpld reset
```

- To boot from NOR flash bank 4.

```
=> cpld reset altbank
```

To program Layerscape LDP composite SD firmware image to SD card on LS1043ARDB:

1. Copy firmware on host machine to TFTP server.

```
$ cp <build>/tmp/deploy/image/ls1043ardb/firmware_ls1043ardb_sdboot.img ~/
tftp/
```

2. Reboot the board from NOR flash bank 0 and stop autoboot to enter U-Boot prompt.

3. Under U-Boot, download the firmware to the reference board using one of the following options:

- Load firmware from the TFTP server

```
=> tftp $load_addr firmware_ls1043ardb_sdboot.img
```

- Load firmware image from partition on mass storage device (SD, USB, or SATA)

```
=> load mmc <device:part> $load_addr firmware_ls1043ardb_sdboot.img
```

For example:

```
=> load mmc 0:2 $load_addr firmware_ls1043ardb_sdboot.img
```

or

```
=> load usb <device:partition> $load_addr firmware_ls1043ardb_sdboot.img
```

or

```
=> load scsi <device:part> $load_addr firmware_ls1043ardb_sdboot.img
```

Note:

Use the following command if the SD card is formatted/created using Layerscape LDP flex-installer command:

```
=> load <interface> [<dev[:part]>] [<addr> [<filename> [bytes [pos]]]]
```

For example:

```
=> load mmc 0:2 $load_addr firmware_ls1043ardb_sdboot.img
```

Use the following command if the SD card is formatted/created on a Windows PC:

```
=> fatload <interface> [<dev[:part]>] [<addr> [<filename> [bytes [pos]]]]
```

For example:

```
=> fatload mmc 0:2 $load_addr firmware_ls1043ardb_sdboot.img
```

Use the following command if the SD card is formatted/created on a Linux PC:

```
=> ext2load <interface> [<dev[:part]>] [<addr> [<filename> [bytes [pos]]]]
```

For example:

```
=> ext2load mmc 0:2 $load_addr firmware_ls1043ardb_sdboot.img
```

Also note that Layerscape LDP flex-installer command puts the images on the second partition, so 0:2 is used in the `load` command. If the SD card is formatted on Windows PC or Linux PC for single partition only, then 0 should be used instead of 0:2 in the `fatload/ext2load` command.

4. Write the firmware to SD card.

```
=> mmc dev 0; mmc write $load_addr 8 1f000
```

5. Reset and boot the board from SD card. The system will automatically boot up TinyDistro (log in using root/root) or Layerscape LDP distro (log in using user/user) available on the removable storage device.

```
=> cpld reset sd
```

3.7.5.5 Frame Manager Configuration (FMC) tool

By default, FMan has been configured for Parse-Classify-Distribute (PCD). This means that without any further action from the user, FMan enqueues received frames from a particular flow to the same receive queue. This prevents Rx packet reorder issues and improves performance.

This default FMan configuration uses configuration and policy files that are provided in NXP Layerscape LDP to perform PCD. These files are in xml format and are created with the objective of preserving packet ordering per flow. For LS1043ARDB, these files are available at the following path:

```
/etc/fmc/config/private/ls1043ardb/RR\_FQPP\_1455
```

However, if a user wants to apply a configuration other than the one which is applied by default, the user needs to run following command after the board boots to Linux.

1. Change directory to the parent directory of the user's custom configuration and policy files

2. Run the FMC tool command:

```
$ fmc -c <config.xml> -p <policy.xml> -a
```

3.7.6 Quick start guide for FRWY-LS1046A

This section explains:

- [Introduction](#)
- [FRWY-LS1046A reference information](#)
- [Program Layerscape LDP composite firmware image](#)

3.7.6.1 Introduction

The following sections describe the procedure to program Layerscape LDP composite firmware for FRWY-LS1046A. Also, this section explains the most common use case procedure to download and deploy Layerscape LDP default images to FRWY-LS1046A using flex-installer. For more information, see [Section 3.2](#).

For more information on the different components of the board, and on how to configure and boot the board, see [Layerscape FRWY-LS1046A Board Getting Started Guide](#).

3.7.6.2 FRWY-LS1046A reference information

This section provides general information about FRWY-LS1046A. The information may come in handy as a reference while performing steps for deploying Layerscape LDP images that are mentioned in sections that follow.

3.7.6.2.1 Ethernet port map

Port name in chassis	Port name in U-Boot	Port name in Tinydistro	Port name in Linux	Description
1G PORT1	FM1@DTSEC1	fm1-mac1	eth1	QSGMII copper interface
1G PORT2	FM1@DTSEC5	fm1-mac5	eth2	QSGMII copper interface
1G PORT3	FM1@DTSEC6	fm1-mac6	eth3	QSGMII copper interface
1G PORT4	FM1@DTSEC10	fm1-mac10	eth4	QSGMII copper interface

3.7.6.2.2 System memory map

Table 12. System memory map

Start address (Hex)	Module name	Size	Accessible with x-bit addressing		
			32	36	40
00_0000_0000	Secure Boot ROM	1 MB	Y	Y	Y
00_0010_0000	Extended Boot ROM	15 MB	Y	Y	Y
00_0100_0000	CCSR Register Space	240 MB	Y	Y	Y

Table 12. System memory map...continued

Start address (Hex)	Module name	Size	Accessible with x-bit addressing		
			32	36	40
00_1000_0000	OCRAM1	64 KB	Y	Y	Y
00_1001_0000	OCRAM2	64 KB	Y	Y	Y
00_1004_0000	Reserved	65408 KB	Y	Y	Y
00_1100_0000	Reserved	16 MB	Y	Y	Y
00_1200_0000	STM	16 MB	Y	Y	Y
00_1300_0000	Reserved	208 MB	Y	Y	Y
00_2000_0000	DCSR	64 MB	Y	Y	Y
00_2400_0000	Reserved	448 MB	Y	Y	Y
00_4000_0000	QuadSPI	512 MB	Y	Y	Y
00_6000_0000	IFC region 1(0 - 512 MB)	512 MB	Y	Y	Y
00_8000_0000	DRAM1 (0 - 2 GB)	2 GB	Y	Y	Y
01_0000_0000	Reserved	0.0625 GB	N	Y	Y
01_0400_0000	Reserved	3.9375 GB	N	Y	Y
02_0000_0000	Reserved	1 GB	N	Y	Y
02_4000_0000	Reserved	7 GB	N	Y	Y
04_0000_0000	Reserved	0.25 GB	N	Y	Y
04_1000_0000	Reserved	0.25 GB	N	Y	Y
04_2000_0000	Reserved	0.25 GB	N	Y	Y
04_3000_0000	Reserved	1.25 GB	N	Y	Y
04_8000_0000	Reserved	2 GB	N	Y	Y
05_0000_0000	QMan S/W Portal	128 MB	N	Y	Y
05_0800_0000	BMan S/W Portal	128 MB	N	Y	Y
05_1000_0000	Reserved	4 GB - 256 MB	N	Y	Y
06_0000_0000	Reserved	0.5 GB	N	Y	Y
06_2000_0000	IFC region 2 (512 MB - 4 GB)	3.5 GB	N	Y	Y
07_0000_0000	Reserved	4 GB	N	Y	Y
08_0000_0000	Reserved	2 GB	N	Y	Y
08_8000_0000	DRAM2	30 GB	N	Y	Y
10_0000_0000	Reserved	64 GB	N	Y	Y
20_0000_0000	Reserved	128 GB	N	N	Y
40_0000_0000	PCI Express 1	32 GB	N	N	Y
48_0000_0000	PCI Express 2	32 GB	N	N	Y
50_0000_0000	PCI Express 3	32 GB	N	N	Y
58_0000_0000	Reserved	160 GB	N	N	Y

Table 12. System memory map...continued

Start address (Hex)	Module name	Size	Accessible with x-bit addressing		
			32	36	40
80_0000_0000	Reserved	32 GB	N	N	Y
88_0000_0000	DRAM3 (32 - 512 GB)	480 GB	N	N	Y

3.7.6.2.3 Supported boot options

The FRWY-LS1046A board supports the following boot options:

- QSPI NOR flash (referred to as "QSPI" or "QSPI flash" in the following sections). CS refers to chip select.
- Micro-SD card (SDHC1)

3.7.6.2.4 Onboard switch options

The FRWY-LS1046A board has user selectable switches for evaluating different boot options for the LS1046A device as given in the table below ('0' is OFF, '1' is ON).

Boot source	SW1[1:10]
QSPI NOR (default)	0_0100_0100_0
Micro-SD card (SDHC1)	0_0100_0000_0

Note:

User can only switch between QSPI NOR to Micro-SD and vice versa using switch settings, there is no command to switch between them.

In addition to the above switch settings, ensure that the following jumper settings are correct.

Table 13. FRWY-LS1046A jumper settings

Part identifier	Jumper type	Description	Jumper settings
J72	1x2 connector	UART selection header	<ul style="list-style-type: none"> • Open: UART1 port is accessed remotely through a 1x4 header (J73) • Shorted: A USB 2.0 micro AB connector (J58) is connected to UART1 port through a USB-to-UART bridge (default setting)
J8	1x2 connector	VDD voltage selection header	<ul style="list-style-type: none"> • Open: VDD = 0.9 V • Shorted: VDD = 1 V (default setting)
J14	1x2 connector	Reset mode selection header	<ul style="list-style-type: none"> • Open: RESET_REQ_B pin of the processor is disconnected • Shorted: RESET_REQ_B pin triggers system reset when asserted (default setting)
J11	1x2 connector	PROG_MTR voltage control header (NXP use only)	<ul style="list-style-type: none"> • Open: PROG_MTR pin of the processor is powered off (default setting) • Shorted: PROG_MTR pin is powered by OVDD (1.8 V)
J9	1x2 connector	TA_BB_VDD voltage control header	<ul style="list-style-type: none"> • Open: TA_BB_VDD pin of the processor is powered off

Table 13. FRWY-LS1046A jumper settings...continued

Part identifier	Jumper type	Description	Jumper settings
			<ul style="list-style-type: none"> Shorted: TA_BB_VDD pin is powered by VDD (1/0.9 V) (default setting)

3.7.6.2.5 QSPI NOR flash

QSPI NOR flash is a simple and convenient destination for deploying images; therefore, it is most common medium for deploying images. When the board boots from QSPI, the U-Boot log looks as follows:

```

U-Boot 2020.04-gc7ec91b1f4 (Nov 17 2020 - 15:26:56 +0800)
SoC: LS1046AE Rev1.0 (0x87070010)
Clock Configuration:
  CPU0 (A72):1600 MHz  CPU1 (A72):1600 MHz  CPU2 (A72):1600 MHz
  CPU3 (A72):1600 MHz
  Bus:      600 MHz  DDR:      2100 MT/s  FMAN:      700 MHz
Reset Configuration Word (RCW):
  00000000: 0c150010 0e000000 00000000 00000000
  00000010: 30400506 00800012 40025000 c1000000
  00000020: 00000000 00000000 00000000 00038800
  00000030: 20044100 24003101 00000096 00000001
Model: LS1046A FRWY Board
Board: LS1046AFRWY, Rev: A, boot from QSPI
SD1_CLK1 = 100.00MHZ, SD1_CLK2 = 100.00MHZ
DRAM: 3.9 GiB (DDR4, 64-bit, CL=15, ECC on)
SEC0: RNG instantiated
Using SERDES1 Protocol: 12352 (0x3040)
Using SERDES2 Protocol: 1286 (0x506)
NAND: 512 MiB
MMC: FSL_SDHC: 0
Loading Environment from SPI Flash... SF: Detected mt25qu512a with page size 256
Bytes, erase size 64 KiB, total 64 MiB
OK
EEPROM: NXID v1
In: serial
Out: serial
Err: serial
Net: SF: Detected mt25qu512a with page size 256 Bytes, erase size 64 KiB,
total 64 MiB
Fman1: Uploading microcode version 106.4.18
PCIe1: pcie@3400000 disabled
PCIe2: pcie@3500000 Root Complex: no link
PCIe3: pcie@3600000 Root Complex: no link
FM1@DTSEC1, FM1@DTSEC5, FM1@DTSEC6, FM1@DTSEC10
=>
    
```

3.7.6.3 Program Layerscape LDP composite firmware image

This topic explains steps to program QSPI NOR firmware image to QSPI NOR flash on FRWY-LS1046A and SD firmware image to SD card on FRWY-LS1046A.

To program Layerscape LDP composite firmware image to QSPI NOR flash on FRWY-LS1046A:

1. Copy firmware on host machine to tftp server.

```

$ cp <build>/tmp/deploy/image/ls1046frwy/firmware_ls11046afrawy_qspiboot.img
~/tftp/
    
```

2. Reboot the board from QSPI NOR flash and stop autoboot to enter U-Boot prompt.
3. Under U-Boot, download the firmware to the reference board using one of the following options:

- Load firmware from the TFTP server

```
=> tftp $load_addr firmware_ls1046afrawy_qspiboot.img
```

- Load firmware image from partition on mass storage device (SD or USB)

```
=> load mmc <device:part> $load_addr firmware_ls1046afrawy_qspiboot.img
```

For example:

```
=> load mmc 0:2 $load_addr firmware_ls1046afrawy_qspiboot.img
```

Or

```
=> load usb <device:part> $load_addr firmware_ls1046afrawy_qspiboot.img
```

Note:

Use the following command if the SD card is formatted/created using Layerscape LDP flex-installer command:

```
=> load <interface> [<dev[:part]>] [<addr> [<filename> [bytes [pos]]]]
```

For example:

```
=> load mmc 0:2 $load_addr firmware_ls1046afrawy_qspiboot.img
```

Use the following command if the SD card is formatted/created on a Windows PC:

```
=> fatload <interface> [<dev[:part]>] [<addr> [<filename> [bytes [pos]]]]
```

For example:

```
=> fatload mmc 0:2 $load_addr firmware_ls1046afrawy_qspiboot.img
```

Use the following command if the SD card is formatted/created on a Linux PC:

```
=> ext2load <interface> [<dev[:part]>] [<addr> [<filename> [bytes [pos]]]]
```

For example:

```
=> ext2load mmc 0:2 $load_addr firmware_ls1046afrawy_qspiboot.img
```

Also note that Layerscape LDP flex-installer command puts the images on the second partition, so 0:2 is used in the `load` command. If the SD card is formatted on Windows PC or Linux PC for single partition only, then 0 should be used instead of 0:2 in the `fatload/ext2load` command.

4. Program the firmware to QSPI NOR flash.

```
=> sf probe 0:0
=> sf erase 0 +$filesize && sf write $load_addr 0 $filesize
```

5. Ensure that switch settings on the board are for QSPI NOR flash and power cycle the board. The system will automatically boot up TinyDistro (log in using root/root) or Layerscape LDP distro (log in using user/user) available on the removable storage device.

To program Layerscape LDP composite firmware image to SD card on FRWY-LS1046A:

1. Copy firmware on host machine to tftp server.

```
$ cp <build>/tmp/deploy/image/ls1046afrawy/firmware_ls1046afrawy_sdboot.img ~/tftp/
```

2. Reboot the board from QSPI NOR flash and stop autoboot to enter U-Boot prompt.
3. Under U-Boot, download the firmware to the reference board using one of the following options:

- Load firmware from the TFTP server

```
=> tftp $load_addr firmware_ls1046afrawy_sdboot.img
```

- Load firmware image from partition on mass storage device (SD or USB)

```
=> load mmc <device:part> $load_addr firmware_ls1046afrawy_sdboot.img
```

For example:

```
=> load mmc 0:2 $load_addr firmware_ls1046afrawy_sdboot.img
```

or

```
=> load usb <device:part> $load_addr firmware_ls1046afrawy_sdboot.img
```

Note:

Use the following command if the SD card is formatted/created using Layerscape LDP flex-installer command:

```
=> load <interface> [<dev[:part]>] [<addr> [<filename> [bytes [pos]]]]
```

For example:

```
=> load mmc 0:2 $load_addr firmware_ls1046afrawy_sdboot.img
```

Use the following command if the SD card is formatted/created on a Windows PC:

```
=> fatload <interface> [<dev[:part]>] [<addr> [<filename> [bytes [pos]]]]
```

For example:

```
=> fatload mmc 0:2 $load_addr firmware_ls1046afrawy_sdboot.img
```

Use the following command if the SD card is formatted/created on a Linux PC:

```
=> ext2load <interface> [<dev[:part]>] [<addr> [<filename> [bytes [pos]]]]
```

For example:

```
=> ext2load mmc 0:2 $load_addr firmware_ls1046afrawy_sdboot.img
```

Also note that Layerscape LDP flex-installer command puts the images on the second partition, so 0:2 is used in the `load` command. If the SD card is formatted on Windows PC or Linux PC for single partition only, then 0 should be used instead of 0:2 in the `fatload/ext2load` command.

4. Program the firmware to SD card.

```
=> mmc dev 0; mmc write $load_addr 8 1f000
```

5. Ensure that switch settings on the board are for SD boot and power cycle the board. The system will automatically boot up TinyDistro (log in using root/root) or Layerscape LDP distro (log in using user/user) available on the removable storage device.

3.7.6.4 Frame Manager Configuration (FMC) tool

By default, FMan has been configured for Parse-Classify-Distribute (PCD). This means that without any further action from the user, FMan enqueues received frames from a particular flow to the same receive queue. This prevents Rx packet reorder issues and improves performance.

This default FMan configuration uses configuration and policy files that are provided in NXP Layerscape LDP to perform PCD. These files are in xml format and are created with the objective of preserving packet ordering per flow. For FRWY-LS1046A, these files are available at the following path:

```
/etc/fmc/config/private/ls1046afwry/NN\_NNQNPNP\_3040\_0506
```

However, if a user wants to apply a configuration other than the one which is applied by default, the user needs to run following command after the board boots to Linux.

1. Change directory to the parent directory of the user’s custom configuration and policy files.
2. Run the FMC tool command:

```
$ fmc -c <config.xml> -p <policy.xml> -a
```

3.7.7 Quick start guide for LS1046ARDB

This section explains:

- [Introduction](#)
- [LS1046ARDB reference information](#)
- [LS1046ARDB recovery information](#)
- [Program Layerscape LDP composite firmware image](#)
- [Frame Manager Configuration \(FMC\) tool](#)

3.7.7.1 Introduction

The following sections describe the procedure to program Layerscape LDP composite firmware for LS1046A. Also, this section explains the most common use case procedure to download and deploy Layerscape LDP default images to LS1046A using flex-installer. For more information, see [Section 3.2](#).

For more information on the different components of the board, and on how to configure and boot the board, see [LS1046A Reference Design Board Getting Started Guide](#).

For a list of brief how-tos to help you modify/update individual Layerscape LDP components such as, U-Boot, Linux kernel, DPAA1 FMan microcode on LS1046ARDB when booting the board from a specific boot source, such as QSPI or SD, see [NXP community](#).

3.7.7.2 LS1046ARDB reference information

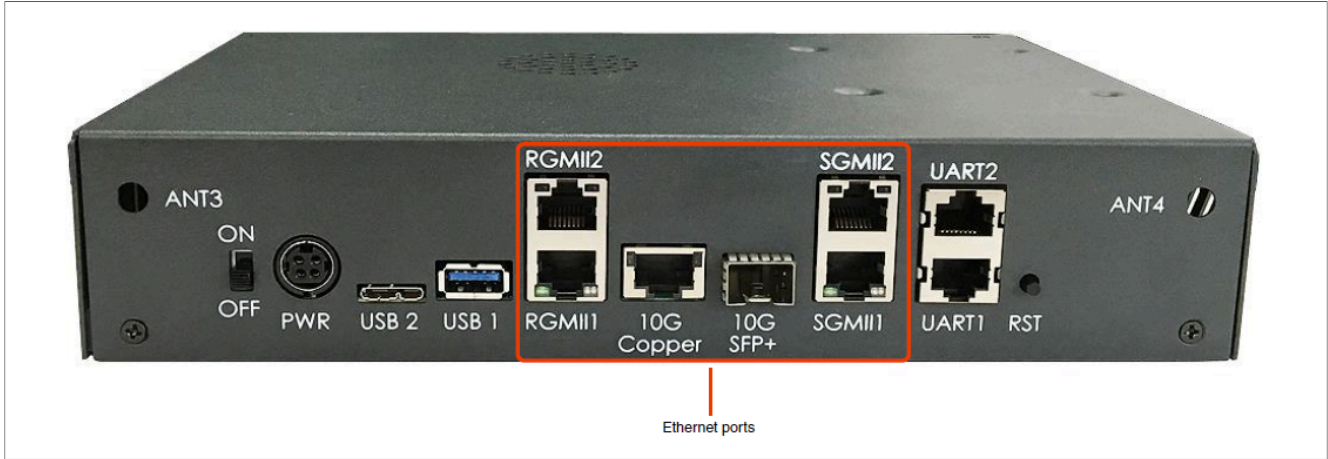
This section provides general information about LS1046ARDB which may come in handy as a reference while completing steps for deploying Layerscape LDP that follow.

3.7.7.2.1 Ethernet port map

The port name in Linux TinyDistro corresponding to each of the six ports on the reference board chassis is given in the table below.

Port name on chassis	Port name in U-Boot	Port name in Linux (Tiny Distro)	Port name in Linux (NXP Layerscape LDP userland)
RGMI1	FM1@DTSEC3	eth0	fm1-mac3
RGMI2	FM1@DTSEC4	eth1	fm1-mac4
SGMI1	FM1@DTSEC5	eth2	fm1-mac5
SGMI2	FM1@DTSEC6	eth3	fm1-mac6

Port name on chassis	Port name in U-Boot	Port name in Linux (Tiny Distro)	Port name in Linux (NXP Layerscape LDP userland)
10G Copper	FM1@TGEC1	eth4	fm1-mac9
10G SEP+	FM1@TGEC2	eth5	fm1-mac10



3.7.7.2.2 System memory map

Start Physical Address	End Physical Address	Memory Type	Size
0x00_0000_0000	0x00_000F_FFFF	Secure Boot ROM	1 MB
0x00_0100_0000	0x00_0FFF_FFFF	CCSRBAR	240 MB
0x00_1000_0000	0x00_1000_FFFF	OCRAM0	64 KB
0x00_1001_0000	0x00_1001_FFFF	OCRAM1	64 KB
0x00_2000_0000	0x00_20FF_FFFF	DCSR	16 MB
0x00_7E80_0000	0x00_7E80_FFFF	IFC - NAND Flash	64 KB
0x00_7FB0_0000	0x00_7FB0_0FFF	IFC - CPLD	4 KB
0x00_8000_0000	0x00_FFFF_FFFF	DRAM1	2 GB
0x05_0000_0000	0x05_07FF_FFFF	QMan S/W Portal	128 M
0x05_0800_0000	0x05_0FFF_FFFF	BMan S/W Portal	128 M
0x08_8000_0000	0x09_FFFF_FFFF	DRAM2	6 GB
0x40_0000_0000	0x47_FFFF_FFFF	PCI Express1	32G
0x48_0000_0000	0x4F_FFFF_FFFF	PCI Express2	32G
0x50_0000_0000	0x57_FFFF_FFFF	PCI Express3	32G

3.7.7.2.3 Supported boot options

LS1046ARDB supports the following boot options:

- SD
- QSPI NOR flash

3.7.7.2.4 Onboard switch options

The RDB has user selectable switches for evaluating different boot options for the LS1046A device as given in the table below ('0' is OFF, '1' is ON).

Boot source	SW3[1:8]	SW4[1:8]	SW5[1:8]
QSPI NOR flash0 (default)	01000110	00111011	00100010
QSPI NOR flash1	01001110	00111011	00100010
SD card	01000110	00111011	00100000

Note: Changing the boot device configuration from the default setting may require additional changes in the RCW or in other code images.

For information on RCW naming convention for LS1046ARDB, see <https://github.com/nxp-qoriq/rcw/blob/master/ls1046ardb/README>.

3.7.7.2.5 QSPI NOR flash banks

LS1046ARDB has two QSPI NOR flash connected over QSPI controller. Only one QSPI NOR flash is available at a time depending upon the board switch settings as given in preceding topic. These switch settings can also be overridden by CPLD commands. To protect the default U-Boot in flash0, it is a convention employed by NXP to deploy work images into the flash1, and then switch to the flash1 for testing. Switching to the flash1 can be done in software using CPLD command that effectively swaps the flash0 with the flash1. This protects flash0 and keeps the board bootable under all circumstances. To determine the current bank, refer to the example U-Boot log given below (flash0 is displayed as vBank 0 and flash1 is displayed as vBank 4).

```

U-Boot 2020.04-21450-gbde1a7f (Sep 18 2020 - 22:10:28 +0800)
SoC: LS1046AE Rev1.0 (0x87070010)
Clock Configuration:
  CPU0 (A72):1800 MHz
  CPU1 (A72):1800 MHz
  CPU2 (A72):1800 MHz
  CPU3 (A72):1800 MHz
  Bus: 700 MHz DDR: 2100 MT/s FMAN: 800 MHz
Reset Configuration Word (RCW):
  00000000: 0e150012 10000000 00000000 00000000
  00000010: 11335559 40005012 40025000 c1000000
  00000020: 00000000 00000000 00000000 00238800
  00000030: 20124000 00003101 00000096 00000001
Model: LS1046A RDB Board
Board: LS1046ARDB, boot from QSPI vBank 4
CPLD: V2.2
PCBA: V2.0
SERDES Reference Clocks:
SD1 CLK1 = 156.25MHZ, SD1 CLK2 = 100.00MHZ
DRAM: 15.9 GiB (DDR4, 64-bit, CL=15, ECC on)
      DDR Chip-Select Interleaving Mode: CS0+CS1
SEC0: RNG instantiated
Using SERDES1 Protocol: 4403 (0x1133)
Using SERDES2 Protocol: 21849 (0x5559)
NAND: 512 MiB
MMC: FSL SDHC: 0
Loading Environment from SPI Flash... SF: Detected s25fs512s with page size 256
Bytes, erase size 256 KiB, total 64 MiB
OK
EEPROM: NXID v1
In: serial
Out: serial
Err: serial
Net: SF: Detected s25fs512s with page size 256 Bytes, erase size 256 KiB, total
64 MiB
    
```



```
Fman1: Uploading microcode version 106.4.18
PCIe1: pcie@3400000 Root Complex: no link
PCIe2: pcie@3500000 Root Complex: no link
PCIe3: pcie@3600000 Root Complex: x1 gen1
e1000: 00:15:17:8a:c6:5b
      FM1@DTSEC3, FM1@DTSEC4, FM1@DTSEC5, FM1@DTSEC6, FM1@TGEC1, FM1@TGEC2,
      e1000#0 [PRIME]
Warning: e1000#0 MAC addresses don't match:
Address in SROM is 00:15:17:8a:c6:5b
Address in environment is 00:e0:0c:00:8e:06
Warning: e1000#0 failed to set MAC address
=>
=>
```

3.7.7.2.6 Boot option switching

Boot switching can be performed in U-Boot using the following commands:

- Switch to QSPI NOR flash0 (default):

```
=>cpld reset
```

- Switch to QSPI NOR flash1:

```
=>cpld reset altbank
```

- Switch to SD:

```
=>cpld reset sd
```

3.7.7.3 LS1046ARDB recovery information

If LS1046ARDB board fails to boot from QSPI NOR flash 0, you can recover QSPI NOR flash 0 from QSPI NOR flash 1 by following these steps:

1. Download the prebuilt composite firmware image:

```
$ cp <build>/tmp/deploy/images/ls1043ardb/firmware_ls1046ardb_qspiboot.img ~/tftp
```

2. Boot LS1046ARDB from QSPI NOR flash1 with the following switch settings:

```
SW3 = 01001110, SW4 = 00111011, SW5 = 00100010
```

3. Program QSPI NOR flash0 from QSPI NOR flash1:

```
=> tftp $load_addr firmware_ls1046ardb_qspiboot.img
=> sf probe 0:1
=> sf erase 0 +$filesize && sf write $load_addr 0 $filesize
```

4. Reset and boot the board from QSPI NOR flash0:

```
=> cpld reset
```

Note: If LS1046ARDB fails to boot from both the QSPI NOR flash banks, you need to recover the board using **CodeWarrior for LS Series, Arm v8 ISA**. For steps to recover the board using the CodeWarrior tool, see section "8.6 Board Recovery" in [ARM V8 ISA, Targeting Manual](#)

3.7.7.4 Program Layerscape LDP composite firmware image

This topic explains steps to program QSPI NOR firmware image to QSPI NOR flash on LS1046ARDB and SD firmware image to SD card on LS1046ARDB.

To program Layerscape LDP composite firmware image to QSPI NOR flash on LS1046ARDB:

1. Copy firmware on host machine to tftp server.

```
$ cp <build>/tmp/deploy/image/ls1046ardb/firmware_ls1046ardb_qspiboot.img ~/tftp/
```

2. Reboot the board from QSPI NOR flash 0 and stop autoboot to enter U-Boot prompt.
3. Under U-Boot, download the firmware to the reference board using one of the following options:

- Load firmware from the TFTP server

```
=> tftp $load_addr firmware_ls1046ardb_qspiboot.img
```

- Load firmware image from partition on mass storage device (SD, USB, or SATA)

```
=> load mmc <device:part> $load_addr firmware_ls1046ardb_qspiboot.img
```

For example:

```
=> load mmc 0:2 $load_addr firmware_ls1046ardb_qspiboot.img
```

Or

```
=> load usb <device:part> $load_addr firmware_ls1046ardb_qspiboot.img
```

Or

```
=> load scsi <device:part> $load_addr firmware_ls1046ardb_qspiboot.img
```

Note:

Use the following command if the SD card is formatted/created using Layerscape LDP flex-installer command:

```
=> load <interface> [<dev[:part]>] [<addr> [<filename> [bytes [pos]]]]
```

For example:

```
=> load mmc 0:2 $load_addr firmware_ls1046ardb_qspiboot.img
```

Use the following command if the SD card is formatted/created on a Windows PC:

```
=> fatload <interface> [<dev[:part]>] [<addr> [<filename> [bytes [pos]]]]
```

For example:

```
=> fatload mmc 0:2 $load_addr firmware_ls1046ardb_qspiboot.img
```

Use the following command if the SD card is formatted/created on a Linux PC:

```
=> ext2load <interface> [<dev[:part]>] [<addr> [<filename> [bytes [pos]]]]
```

For example:

```
=> ext2load mmc 0:2 $load_addr firmware_ls1046ardb_qspiboot.img
```

Also note that Layerscape LDP flex-installer command puts the images on the second partition, so 0:2 is used in the load command. If the SD card is formatted on Windows PC or Linux PC for single partition only, then 0 should be used instead of 0:2 in the fatload/ext2load command.

4. Program the firmware to QSPI NOR flash 1.

```
=> sf probe 0:1
```

```
=> sf erase 0 +$filesize && sf write $load_addr 0 $filesize
```

5. Reset and boot the board from QSPI NOR flash 1. The system will automatically boot up TinyDistro (log in using root/root) or Layerscape LDP distro (log in using user/user) available on the removable storage device.

```
=> cpld reset altbank
```

To program Layerscape LDP composite firmware image to SD card on LS1046ARDB:

1. Copy firmware on host machine to tftp server.

```
$ cp <build>/tmp/deploy/image/ls1046ardb/firmware_ls1046ardb_sdboot.img ~/tftp/
```

2. Reboot the board from QSPI NOR flash 0 and stop autoboot to enter U-Boot prompt.
3. Under U-Boot, download the firmware to the reference board using one of the following options:
 - Load firmware from the TFTP server

```
=> tftp $load_addr firmware_ls1046ardb_sdboot.img
```

- Load firmware image from partition on mass storage device (SD, USB, or SATA)

```
=> load mmc <device:part> $load_addr firmware_ls1046ardb_sdboot.img
```

For example:

```
=> load mmc 0:2 $load_addr firmware_ls1046ardb_sdboot.img
```

Or

```
=> load usb <device:part> $load_addr firmware_ls1046ardb_sdboot.img
```

Or

```
=> load scsi <device:part> $load_addr firmware_ls1046ardb_sdboot.img
```

Note:

Use the following command if the SD card is formatted/created using Layerscape LDP flex-installer command:

```
=> load <interface> [<dev[:part]>] [<addr> [<filename> [bytes [pos]]]]
```

For example:

```
=> load mmc 0:2 $load_addr firmware_ls1046ardb_sdboot.img
```

Use the following command if the SD card is formatted/created on a Windows PC:

```
=> fatload <interface> [<dev[:part]>] [<addr> [<filename> [bytes [pos]]]]
```

For example:

```
=> fatload mmc 0:2 $load_addr firmware_ls1046ardb_sdboot.img
```

Use the following command if the SD card is formatted/created on a Linux PC:

```
=> ext2load <interface> [<dev[:part]>] [<addr> [<filename> [bytes [pos]]]]
```

For example:

```
=> ext2load mmc 0:2 $load_addr firmware_ls1046ardb_sdboot.img
```

Also note that Layerscape LDP flex-installer command puts the images on the second partition, so 0:2 is used in the load command. If the SD card is formatted on Windows PC or Linux PC for single partition only, then 0 should be used instead of 0:2 in the fatload/ext2load command.

4. Program the firmware to SD card.

```
=> mmc dev 0; mmc write $load_addr 8 1f000
```

5. Reset and boot the board from SD card. The system will automatically boot up Tinydistro (log in using root/root) or Layerscape LDP distro (log in using user/user) available on the removable storage device.

```
=> cpld reset sd
```

3.7.7.5 Frame Manager Configuration (FMC) tool

By default, FMan has been configured for Parse-Classify-Distribute (PCD). This means that without any further action from the user, FMan enqueues received frames from a particular flow to the same receive queue. This prevents Rx packet reorder issues and improves performance.

This default FMan configuration uses configuration and policy files that are provided in NXP Layerscape LDP for this release to perform PCD. These files are in xml format and are created with the objective of preserving packet ordering per flow. For LS1046ARDB, these files are available at the following path:

```
/etc/fmc/config/private/ls1046ardb/RR\_FFSSPPPH\_1133\_5559
```

However, if a user wants to apply a configuration other than the one which is applied by default, the user needs to run following command after the board boots to Linux.

1. Change directory to the parent directory of the user's custom configuration and policy files.
2. Run the FMC tool command:

```
$ fmc -c <config.xml> -p <policy.xml> -a
```

3.7.8 Quick start guide for LS1088ARDB

This section explains:

- [Introduction](#)
- [LS1088ARDB and LS1088ARDB-PB reference information](#)
- [LS1088ARDB and LS1088ARDB-PB recovery information](#)
- [Program Layerscape LDP composite firmware image](#)
- [Bringing up DPAA2 network interfaces](#)

3.7.8.1 Introduction

The following sections describe the procedure to program Layerscape LDP composite firmware for LS1088ARDB and LS1088ARDB-PB. Also, this section explains the most common use case procedure to download and deploy Layerscape LDP default images to LS1088ARDB and LS1088ARDB-PB using flex-installer. For more information, see [Download and deploy Layerscape LDP images with flex-installer in Linux environment](#).

For more information on the different components of the board, and on how to configure and boot the board, see [LS1088A Reference Design Board \(LS1088ARDB-PB\) Getting Started Guide](#).

For a list of brief how-tos to help you modify/update individual Layerscape LDP components such as, U-Boot, Linux kernel, DPL, DPC, on LS1088ARDB/LS1088ARDB-PB when booting the board from a specific boot source, such as QSPI or SD, see [NXP community](#).

3.7.8.2 LS1088ARDB and LS1088ARDB-PB reference information

This section provides general information about LS1088ARDB and LS1088ARDB-PB which may come in handy as a reference while completing steps for deploying Layerscape LDP that follow.

Note:

LS1088ARDB-PB is a variant of LS1088ARDB, therefore most of the information should be the same as LS1088ARDB. Following sections specify the differences if any.

3.7.8.2.1 Ethernet port map

The table below shows the mapping of Ethernet port names appearing on chassis front panel with the port names in U-Boot and Linux.

Table 14. Ethernet port names mapping

Port name on chassis	Port name in Linux (Tiny Distro and Linux distro userland)	Port name in U-Boot	Description
ETH0	ethx	DPMAC2@xgmii	XFI copper interface
ETH1	ethx	DPMAC1@xgmii	XFI optical interface
ETH2	ethx	DPMAC7@qsgmii	QSGMII copper interface
ETH3	ethx	DPMAC8@qsgmii	QSGMII copper interface
ETH4	ethx	DPMAC9@qsgmii	QSGMII copper interface
ETH5	ethx	DPMAC10@qsgmii	QSGMII copper interface
ETH6	ethx	DPMAC3@qsgmii	QSGMII copper interface
ETH7	ethx	DPMAC4@qsgmii	QSGMII copper interface
ETH8	If there is a PCIe card plugged in, it is detected as eth1. If there is no PCIe, it is detected as eth0.	DPMAC5@qsgmii	QSGMII copper interface
ETH9	ethx	DPMAC6@qsgmii	QSGMII copper interface

Note: For other ports, interfaces are created dynamically in Linux. So, the port name is determined by the creation order.

3.7.8.2.2 System memory map

Start address	End address	Size	Allocation	Comment
0x0000_0000_0000	0x0000_000F_FFFF	1 MB	CCSR - Boot ROM	64 KB
0x0000_0010_0000	0x0000_00FF_FFFF	15 MB	Reserved	
0x0000_0100_0000	0x0000_0FFF_FFFF	240 MB	CCSR	
0x0000_1000_0000	0x0000_10FF_FFFF	16 MB	Reserved	SP alias this space to DCSR. Do not allocate.
0x0000_1100_0000	0x0000_11FF_FFFF	16 MB	Reserved	SP alias this space to DCSR. Do not allocate.
0x0000_1200_0000	0x0000_13FF_FFFF	32 MB	Reserved	SP alias this space to DCSR. Do not allocate.

0x0000_1400_0000	0x0000_17FF_FFFF	64 MB	Reserved	
0x0000_1800_0000	0x0000_181F_FFFF	2 MB	OCRAM	128 KB
0x0000_1820_0000	0x0000_18FF_FFFF	14 MB	Reserved	
0x0000_1900_0000	0x0000_19FF_FFFF	16 MB	CoreSight STM	16 MB
0x0000_1A00_0000	0x0000_1BFF_FFFF	32 MB	Reserved	
0x0000_1C00_0000	0x0000_1CFF_FFFF	16 MB	Reserved	
0x0000_1D00_0000	0x0000_1FFF_FFFF	48 MB	Reserved	
0x0000_2000_0000	0x0000_2FFF_FFFF	256 MB	Quad SPI Region #1 (0-256 MB)	More QSPI space below 256 MB
0x0000_3000_0000	0x0000_3FFF_FFFF	256 MB	IFC Region #1 (0-256 MB)	More IFC space below 256 MB
0x0000_4000_0000	0x0000_5FFF_FFFF	512 MB	Reserved	
0x0000_6000_0000	0x0000_7FFF_FFFF	512 MB	Reserved	
0x0000_8000_0000	0x0000_9FFF_FFFF	512 MB	GPP DRAM Region #1 (0-2 GB)	
0x0000_A000_0000	0x0000_BFFF_FFFF	512 MB		
0x0000_C000_0000	0x0000_DFFF_FFFF	512 MB		
0x0000_E000_0000	0x0000_FFFF_FFFF	512 MB		
0x0001_0000_0000	0x0001_FFFF_FFFF	4 GB		
0x0002_0000_0000	0x0003_FFFF_FFFF	8 GB		
0x0004_0000_0000	0x0004_0FFF_FFFF	256 MB	Hole	QSPI space #1 maps on top of this space
0x0004_1000_0000	0x0004_FFFF_FFFF	3.75 GB	Quad SPI Region #2 (256 MB-4 GB)	3.75 GB
0x0005_0000_0000	0x0005_0FFF_FFFF	256 MB	Hole	IFC space #1 maps on top of this space
0x0005_1000_0000	0x0005_FFFF_FFFF	3.75 GB	IFC Region #2 (256 MB-4 GB)	3.75 GB
0x0006_0000_0000	0x0006_FFFF_FFFF	4 GB	Reserved	
0x0007_0000_0000	0x0007_3FFF_FFFF	1 GB	DCSR	
0x0007_4000_0000	0x0007_FFFF_FFFF	3 GB	Reserved	
DPAA2 Portal Map				
0x0008_0000_0000	0x0008_03FF_FFFF	64 MB	Reserved	
0x0008_0400_0000	0x0008_07FF_FFFF	64 MB	Reserved	
0x0008_0800_0000	0x0008_0BFF_FFFF	64 MB	Reserved	
0x0008_0C00_0000	0x0008_0FFF_FFFF	64 MB	MC - 1024 portals	32 MB (512 portal)
0x0008_1000_0000	0x0008_17FF_FFFF	128 MB	Reserved	
0x0008_1800_0000	0x0008_1FFF_FFFF	128 MB	QBMAN portals	128 MB
0x0008_0000_0000	0x000B_FFFF_FFFF	15.5 GB	Reserved	
0x000C_0000_0000	0x000F_FFFF_FFFF	16 GB	Reserved	
High-speed I/O (PCIe)				

0x0010_0000_0000	0x0011_FFFF_FFFF	8 GB	Reserved	
0x0012_0000_0000	0x0013_FFFF_FFFF	8 GB	Reserved	
0x0014_0000_0000	0x0015_FFFF_FFFF	8 GB	Reserved	
0x0016_0000_0000	0x0017_FFFF_FFFF	8 GB	Reserved	
0x0018_0000_0000	0x0019_FFFF_FFFF	8 GB	Reserved	
0x001A_0000_0000	0x001B_FFFF_FFFF	8 GB	Reserved	
0x001C_0000_0000	0x001D_FFFF_FFFF	8 GB	Reserved	
0x001E_0000_0000	0x001F_FFFF_FFFF	8 GB	Reserved	
0x0020_0000_0000	0x0027_FFFF_FFFF	32 GB	PCIe1	
0x0028_0000_0000	0x002F_FFFF_FFFF	32 GB	PCIe2	
0x0030_0000_0000	0x0037_FFFF_FFFF	32 GB	PCIe3	
0x0038_0000_0000	0x003F_FFFF_FFFF	32 GB	Reserved	
DPAA2 External address map				
0x0040_0000_0000	0x0040_FFFF_FFFF	4 GB	Reserved	
0x0041_0000_0000	0x0041_FFFF_FFFF	4 GB	Reserved	
0x0042_0000_0000	0x0042_FFFF_FFFF	4 GB	Reserved	
0x0043_0000_0000	0x0043_FFFF_FFFF	4 GB	WRIOP access window	
0x0044_0000_0000	0x0047_FFFF_FFFF	16 GB	Reserved	
0x0048_0000_0000	0x0048_FFFF_FFFF	4 GB	Reserved	
0x0049_0000_0000	0x0049_FFFF_FFFF	4 GB	Reserved	
0x004A_0000_0000	0x004A_FFFF_FFFF	4 GB	Reserved	
0x004B_0000_0000	0x004B_FFFF_FFFF	4 GB	Reserved	
0x004C_0000_0000	0x004F_FFFF_FFFF	16 GB	Packet Express Buffer	1 MB
0x0050_0000_0000	0x005F_FFFF_FFFF	64 GB	Reserved	
0x0060_0000_0000	0x007F_FFFF_FFFF	128 GB	Reserved	
0x0080_0000_0000	0x0080_7FFF_FFF	2 GB	Hole	
0x0080_8000_0000	0x00FF_FFFF_FFFF	510 GB	GPP DRAM Region #2 (2-512GB)	

3.7.8.2.3 Supported boot options

LS1088ARDB and LS1088ARDB-PB support the following boot options:

- SD
- QSPI NOR Flash

Note:

- When booting from SD, the RCW, U-Boot, and other firmware components are located on the SD card starting at block 8.
- When booting from QSPI NOR flash, the RCW, U-Boot, and other firmware components are located in flash starting at offset 0x0. See Layerscape LDP Memory Layout for additional information.

3.7.8.2.4 Onboard switch options

The RDBs have user selectable switches for evaluating different boot options for the LS1088A device as given in the table below ('0' is OFF, '1' is ON).

Note: Even though the onboard switch settings given in the table below are same for LS1088ARDB and LS1088ARDB-PB, the significance of some of these settings may differ. See “Switch settings” in LS1088ARDB Getting Started Guide and “Switch configuration” in LS1088ARDB-PB Getting Started Guide for detailed description of each switch setting.

Boot source	SW1[1:8]	SW2[1:8]	SW3[1:8]	SW4[1:8]	SW5[1:8]
QSPI NOR flash0 (default)	0011 0001	X100 0000	1110 0010	1001 0011	0111 0000
QSPI NOR flash1	0011 0001	X100 0001	1110 0010	1001 0011	0111 0000
SD card	0010 0000	0100 0000	1110 0010	1001 0011	0111 0000

Note that changing the boot device configuration from the default setting may require additional changes in the RCW or in other code images. For information on RCW naming convention for LS1088ARDB, see <https://github.com/nxp-qoriq/rcw/blob/master/ls1088ardb/README>.

3.7.8.2.5 QSPI NOR flash banks

LS1088ARDB and LS1088ARDB-PB have 2 QSPI NOR flash connected over QSPI controller. Only one QSPI NOR flash is available at a time depending upon the board switch settings as given in preceding topic. These switch settings can also be overridden using qixis_reset commands in U-Boot.

To protect the default U-Boot in flash0, it is a convention employed by NXP to deploy work images into flash1, and then switch to flash1 for testing. Switching to flash1 can be done in software using qixis_reset command that effectively swaps flash0 with flash1. This protects flash0 and keeps the board bootable under all circumstances.

To determine the current bank, refer to the example U-Boot log given below:

```
U-Boot 2022.04+fs1+g181859317b (Nov 15 2022 - 06:28:05 +0000)
SoC: LS1088AE Rev1.0 (0x87030010)
Clock Configuration:
  CPU0 (A53):1600 MHz CPU1 (A53):1600 MHz CPU2 (A53):1600 MHz
  CPU3 (A53):1600 MHz CPU4 (A53):1600 MHz CPU5 (A53):1600 MHz
  CPU6 (A53):1600 MHz CPU7 (A53):1600 MHz
  Bus: 700 MHz DDR: 2100 MT/s
Reset Configuration Word (RCW):
  00000000: 4000541c 00000040 00000000 00000000
  00000010: 00000000 000a0000 00300000 00000000
  00000020: 016011a0 00002580 00000000 00000040
  00000030: 0000005b 00000000 00002403 00000000
  00000040: 00000000 00000000 00000000 00000000
  00000050: 00000000 00000000 00000000 00000000
  00000060: 00000000 00000000 00000011 000009e7
  00000070: 44110000 00509555
VID: Core voltage after adjustment is at 1026 mV
DRAM: 15.9 GiB
DDR 15.9 GiB (DDR4, 64-bit, CL=15, ECC on)
  DDR Chip-Select Interleaving Mode: CS0+CS1 Using SERDES1
Protocol: 29 (0x1d)
```

Boot option switching can be performed in U-Boot using the following statements.

- Switch to QSPI NOR flash 0 (default):

```
=> qixis_reset
```

- Switch to QSPI NOR flash 1:

```
=> qixis_reset altbank
```

- Switch to SD:

```
=> qixis_reset sd
```

3.7.8.2.6 U-Boot environment variables

- DPAA2-specific Environment Variables
 - **mcboottimeout**: Defines Management Complex boot timeout in milliseconds. If this variable is not defined, the compile-time value `CONFIG_SYS_LS_MC_BOOT_TIMEOUT_MS` will be the default. Normally, users do not need to set this variable because the default is acceptable.
 - **mcmemsize**: Defines amount of system DDR to be used by the Management Complex. If this variable is not defined, the compile-time value `0x70000000` or 1.75 GB will be the default. Normally, users do not need to set this variable because the default is acceptable.
 - **mcinitcmd**: Contains commands to load and start the Management Complex automatically before the U-Boot countdown to boot starts. If this variable is defined, its contents are run. The default value assumes that the Management Complex (MC) firmware and Data Path Control file are stored in QSPI NOR/SD flash at fixed addresses.
- Environment variables that are not specific to DPAA2
 - **bootcmd**: Contains commands that are automatically executed when the U-Boot boot command is run. This happens automatically when the user does not interrupt U-Boot initial count down.

For more information on U-Boot distro boot command, see [Section 4.3.2](#).

3.7.8.3 LS1088ARDB and LS1088ARDB-PB recovery information

If LS1088ARDB/LS1088ARDB-PB board fails to boot from QSPI NOR flash 0, you can recover QSPI NOR flash 0 from QSPI NOR flash 1 by following these steps:

1. Download the prebuilt composite firmware image:

```
$ cp <build>/tmp/deploy/image/ls1043ardb/firmware_ls1088ardb_pb_qspiboot.img ~/tftp
```

Note: Note that LS1088ARDB is not supported Layerscape LDP 18.12 release onwards.

2. Boot LS1088ARDB/LS1088ARDB-PB from QSPI NOR flash 1 with the following switch settings:

- SW1[1:8] = 0011 0001
- SW2[1:8] = X100 0001
- SW3[1:8] = 1110 0010
- SW4[1:8] = 1001 0011
- SW5[1:8] = 0111 0000

3. Program QSPI NOR flash 0 from QSPI NOR flash 1:

```
=> sf probe 0:1
=> tftp $load_addr firmware_ls1088ardb_pb_qspiboot.img
=> sf erase 0x0 +$filesize && sf write $load_addr 0x0 $filesize
```

4. Reset and boot the board from QSPI NOR flash 0:

```
=> qixis_reset
```

Note: If LS1088ARDB/LS1088ARDB-PB fails to boot from both the QSPI NOR flash banks, you need to recover the board using **CodeWarrior for LS Series, Arm v8 ISA**. For steps to recover the board using the CodeWarrior tool, see section "8.6 Board Recovery" in [ARM V8 ISA, Targeting Manual](#)

3.7.8.4 Program Layerscape LDP composite firmware image

This topic explains steps to program QSPI NOR firmware image to QSPI NOR flash on LS1088ARDB/LS1088ARDB-PB and SD firmware image to SD card on LS1088ARDB/LS1088ARDB-PB.

To program Layerscape LDP composite firmware image to QSPI NOR flash on LS1088ARDB/LS1088ARDB-PB:

1. Copy firmware on host machine to TFTP server.

```
$ cp <build>/tmp/deploy/image/ls1088ardb/firmware_ls1088ardb_qspiboot.img ~/tftp/
```

2. Under U-Boot, download the firmware to the reference board using one of the following options:

- Load firmware from the TFTP server

```
=> tftp $load_addr firmware_ls1088ardb_pb_qspiboot.img
```

- Load firmware image from partition on mass storage device (SD, USB, or SATA)

```
=> load mmc <dev:part> $load_addr firmware_ls1088ardb_pb_qspiboot.img
```

For example:

```
=> load mmc 0:2 $load_addr firmware_ls1088ardb_pb_qspiboot.img
```

or

```
=> load usb <dev:part> $load_addr firmware_ls1088ardb_pb_qspiboot.img
```

or

```
=> load scsi <dev:part> $load_addr firmware_ls1088ardb_pb_qspiboot.img
```

Note:

Use the following command if the SD card is formatted/created using Layerscape LDP flex-installer command:

```
=> load <interface> [<dev[:part]>] [<addr> [<filename> [bytes [pos]]]]
```

For example:

```
=> load mmc 0:2 $load_addr firmware_ls1088ardb_pb_qspiboot.img
```

Use the following command if the SD card is formatted/created on a Windows PC:

```
=> fatload <interface> [<dev[:part]>] [<addr> [<filename> [bytes [pos]]]]
```

For example:

```
=> fatload mmc 0:2 $load_addr firmware_ls1088ardb_pb_qspiboot.img
```

Use the following command if the SD card is formatted/created on a Linux PC:

```
=> ext2load <interface> [<dev[:part]>] [<addr> [<filename> [bytes [pos]]]]
```

For example:

```
=> ext2load mmc 0:2 $load_addr firmware_ls1088ardb_pb_qspiboot.img
```

Also note that Layerscape LDP flex-installer command puts the images on the second partition, so 0:2 is used in the `load` command. If the SD card is formatted on Windows PC or Linux PC for single partition only, then 0 should be used instead of 0:2 in the `fatload/ext2load` command.

- re (from NXP website) to the Linux host machine.

```
$ Copy firmware on host machine to tftp server
```

Note: Note that prebuilt LS1088ARDB images are not available with Layerscape LDP 18.12 release onwards.

- Reboot the board from QSPI NOR flash 0 and stop autoboot to enter U-Boot prompt.
- Program the firmware to QSPI NOR flash 1.

```
=> sf probe 0:1
=> sf erase 0 +$filesize && sf write $load_addr 0 $filesize
```

- Reset and boot the board from QSPI NOR flash 1. The system will automatically boot up TinyDistro (log in using root/root) or Layerscape LDP distro (log in using user/user) available on the removable storage device.

```
=> qixis_reset altbank
```

To program Layerscape LDP composite firmware image to SD card on LS1088ARDB/LS1088ARDB-PB:

- Copy firmware on host machine to tftp server.

```
$ cp <build>/tmp/deploy/image/ls1088ardb/firmware_ls1088ardb_sdboot.img ~/tftp/
```

Note: Note that LS1088ARDB is not supported Layerscape LDP 18.12 release onwards.

- Reboot the board from QSPI NOR flash 0 and stop autoboot to enter U-Boot prompt.
- Under U-Boot, download the firmware to the reference board using one of the following options:

- Load firmware from the TFTP server

```
=> tftp $load_addr firmware_ls1088ardb_pb_sdboot.img
```

- Load firmware image from partition on mass storage device (SD, USB, or SATA)

```
=> load mmc <device:partition> $load_addr firmware_ls1088ardb_pb_sdboot.img
```

For example:

```
=> load mmc 0:2 $load_addr firmware_ls1088ardb_pb_sdboot.img
```

Or

```
=> load usb <device:part> $load_addr firmware_ls1088ardb_pb_sdboot.img
```

Or

```
=> load scsi <dev:part> $load_addr firmware_ls1088ardb_pb_sdboot.img
```

Note:

Use the following command if the SD card is formatted/created using Layerscape LDP flex-installer command:

```
=> load <interface> [<dev[:part]>] [<addr> [<filename> [bytes [pos]]]]
```

For example:

```
=> load mmc 0:2 $load_addr firmware_ls1088ardb_pb_sdboot.img
```

Use the following command if the SD card is formatted/created on a Windows PC:

```
=> fatload <interface> [<dev[:part]>] [<addr> [<filename> [bytes [pos]]]]
```

For example:

```
=> fatload mmc 0:2 $load_addr firmware_ls1088ardb_pb_sdboot.img
```

Use the following command if the SD card is formatted/created on a Linux PC:

```
=> ext2load <interface> [<dev[:part]> [<addr> [<filename> [bytes [pos]]]]]
```

For example:

```
=> ext2load mmc 0:2 $load_addr firmware_ls1088ardb_pb_sdboot.img
```

Also note that Layerscape LDP flex-installer command puts the images on the second partition, so 0:2 is used in the load command. If the SD card is formatted on Windows PC or Linux PC for single partition only, then 0 should be used instead of 0:2 in the fatload/ext2load command.

4. Program the firmware to SD card.

```
=> mmc dev 0; mmc write $load_addr 8 1f000
```

5. Reset and boot the board from SD card. The system will automatically boot up TinyDistro (log in using root/root) or Layerscape LDP distro (log in using user/user) available on the removable storage device.

```
=> qixis_reset sd
```

3.7.8.5 Bringing up DPAA2 network interfaces

This section describes the procedure to bring up DPAA2 network interfaces.

3.7.8.5.1 Using Linux commands to list network interfaces

The Linux distribution boots with a default DPL file which enables only one network interface on DPAA2 by default, as a standard kernel Ethernet interface.

Run the following standard Linux command to get a list of enabled interfaces.

```
$ ip link show
```

The default interface is named eth0 (or eth1 if a PCI Express network interface card is discovered first).

3.7.8.5.2 Using restool wrapper scripts to list DPAA2 objects

The user-friendly wrapper scripts are provided in the release `rootfs` to assist with dynamic creation of DPNI and the associated dependencies. The wrapper scripts call the `restool` commands.

To list the available wrapper scripts, enter the following command:

```
$ls-main
```

The Ethernet interfaces have the corresponding DPAA2 objects associated with them.

To list the enabled data path network interface (DPNI) associated with eth0 (or eth1), run the following restool wrapper script:

```
$ ls-listni  
dprc.1/dpni.0 (interface: eth1, end point: dpmac.5)
```

This indicates that the data path network interface named dpni.0 which belongs to the DPAA2 resource container dprc.1 is present. This DPNI object corresponds to the interface named eth1 which is connected to dpmac.5.

The following command can be used to list all DPMAC objects present in the system and what they are connected to (if anything).

```
$ ls-listmac
dprc.1/dpmac.10
dprc.1/dpmac.9
dprc.1/dpmac.8
dprc.1/dpmac.7
dprc.1/dpmac.6
dprc.1/dpmac.5 (end point: dpni.0)
dprc.1/dpmac.4
dprc.1/dpmac.3
dprc.1/dpmac.2
dprc.1/dpmac.1
```

For more information on DPAA2 objects and restool, see DPAA2-specific Software in Layerscape LDP documentation.

3.7.8.5.3 Add and destroy network interfaces

As mentioned in previous sections, interface eth0 (or eth1) corresponds to the data path network interface dpni.0 which is the only one enabled by default DPL file. However, users may need more than one network interface enabled. Also, DPNI.0 is configured with a minimal set of resources – for example, it can only receive traffic on one core via one queue. Additional and fully featured DPNI objects can be created using restool. Once these objects are created, the configuration can be saved to a custom DPL file.

Running the command below is the simplest way of adding a DPNI object and connecting it to a DPMAC. In this case DPNI object is being connected to dpmac.4 using default options and arguments.

```
$ ls-addni dpmac.4
Created interface: eth0 (object:dpni.1, endpoint: dpmac.4)
```

Run the following command to display information about the newly created dpni.1 interface. The number of queues is shown to be 8, one queue per core for 8 cores which can receive traffic.

```
restool dpni info dpni.1
```

If you want to connect DPMAC5 (which is connected to dpni.0 by default) to a fully-featured data path network interface, then you must first unbind and destroy the existing interface by using the commands below.

Unbind dpni.0 from the driver:

```
$ echo dpni.0 > /sys/bus/fsl-mc/drivers/fsl_dpaa2_eth/unbind
```

Destroy data path network interface dpni.0

```
$ restool dpni destroy dpni.0
dpni.0 is destroyed
```

Now add back dpmac.5 using the command below. Even though dpmac.5 is again connected to dpni.0, dpni.0 now uses 8 traffic queues for distribution.

```
$ ls-addni dpmac.5
Created interface: eth0 (object:dpni.0, endpoint: dpmac.5)
```

Note: Note that on the LS1088A SoC using the `ls-addni` script default resource allocation is not possible to create and connect DPNI to all the 10 DPMACs available. This is because, by default, the `ls-addni` script creates an interface with 64 flow steering entries and 16 MAC entries. Since the LS1088A SoC has a total of 2K CTLU entries (resources used by the `fs_entries` and `mac_entries` parameters), resources are easily occupied and the 10th DPNI is not created. This limitation is not encountered on any of the other DPAA2 based SoCs (LS2088A or LX2160A) since the CTLU resources are not scarce.

A sequence for creating all 10 interfaces without any error would be the one below.

```
for i in `seq 1 9`; do ls-addni "dpmac.$i"; done
# for the 10th interface use a lower number of pre-allocated resources (steering
  entries and mac entries)
ls-addni dpmac.10 -f=16 -m=8
```

A detailed example of how one can compute the CTLU resource allocation can be found below.

A classification key, depending on its size can stretch on multiple CTLU entries. For example a 56 byte key (this is the key size for exact match flow steering entries) occupies three entries. By default, when an interface is created with `ls-addni`, 64 `fs_entries` are preallocated. It means that a total of $64 * 3 = 192$ entries are used for one DPNI. For 10 DPNI there are 10 times more, that is, 1920 entries. Another default parameter that consumes CTLU resources is `mac_entries`. A `mac_entry` key consumes 1 CTLU entry. The default 16 MAC entries consume 16 CTLU entries. For 10 DPNI, 160 CTLU entries are consumed. If we sum up the above numbers, we obtain a total of 2080 entries for 10 DPNI, more than the maximum 2K.

3.7.8.5.4 Save configuration to a custom DPL file (Optional)

After the additional DPNI objects are created, you can create a custom DPL file using the following command:

```
$ restool dprc generate-dpl dprc.1 > <file_name>.dts
```

Note: This DPL file is in `*.dts` format and is created on the reference board.

You must compile the resulting `*.dts` file using the `dtc` tool to generate a `*.dtb` file.

To copy the DPL (`*.dts`) file to a Linux host machine or server using SCP and convert it to a `*.dtb` file, run the following command:

```
$ dtc -I dts -O dtb <file_name>.dts -o <file_name>.dtb
```

Note: The newly created DPL file can be flashed on to the board and used to boot to Linux.

3.7.8.5.5 Assign IP addresses to network interfaces

Static IP addresses can be assigned to network interfaces using the standard `ifconfig` or `ip` commands.

```
ifconfig <interface_name_in_Linux> <ip_address>
OR
ip address add <ip_address> dev <interface_name_in_linux>
```

Alternatively, Static IP addresses can also be assigned using `netplan`. Create a file called "config.yaml" in `/etc/netplan`. Using a text editor, add the following lines to this config file and save it.

```
network:
  version: 2
  renderer: networkd
  ethernets:
    <interface_name_in_Linux>:
      addresses:
```

```
- <ip_address>/24
```

After saving this file, run the following command to apply this netplan configuration and then reboot the board.

```
sudo netplan apply
```

Once the board reboots, bring up the desired interface by using “ifconfig <interface_name_in_Linux> up” or “ ip link set <interface_name_in_Linux> up” command. The interface is assigned the IP address that was entered in the “ config.yaml” file. Netplan can also be used for dynamic IP address assignment using DHCP. For dynamic IP assignment, replace the contents of the config.yaml file with the following.

```
network:
  version: 2
  renderer: networkd
  ethernets:
    <interface_name_in_Linux>:
      dhcp4: true
```

Follow the same procedure as for the static IP assignment using Netplan after saving the “config.yaml” file.

3.7.9 Quick start guide for LS2088ARDB

This section explains:

- [Introduction](#)
- [LS2088ARDB reference information](#)
- [LS2088ARDB recovery information](#)
- [Program Layerscape LDP composite firmware image](#)
- [Bringing up DPAA2 network interfaces](#)

3.7.9.1 Introduction

The following sections describe the procedure to program Layerscape LDP composite firmware for LS2088ARDB. Also, this section explains the most common use case procedure to download and deploy Layerscape LDP default images to LS2088ARDB using flex-installer. For more information, see [Section 3.2](#).

For more information on the different components of the board, and on how to configure and boot the board, see [LS2088ARDB board documentation](#).

3.7.9.2 LS2088ARDB reference information

This section provides general information about LS2088ARDB which may come in handy as a reference while completing steps for deploying Layerscape LDP that follow.

3.7.9.2.1 Ethernet port map

Port name in Chassis	Port name in U-Boot	Port name in Linux (Tiny Distro and Linux distro userland)	Description
ETH0	DPMAC5@xgmii	eth0 by default (or eth1 if PCI Express network interface card is discovered first)	XFI copper interface
ETH1	DPMAC6@xgmii	not enabled by default	XFI copper interface

ETH2	DPMAC7@xgmii	not enabled by default	XFI copper interface
ETH3	DPMAC8@xgmii	not enabled by default	XFI copper interface
ETH4	DPMAC1@xgmii	not enabled by default	XFI copper interface
ETH5	DPMAC2@xgmii	not enabled by default	XFI copper interface
ETH6	DPMAC3@xgmii	not enabled by default	XFI copper interface
ETH7	DPMAC4@xgmii	not enabled by default	XFI copper interface

3.7.9.2.2 System memory map

Start address	End address	Size	Allocation	Comment
0x0000_0000_0000	0x0000_000F_FFFF	1 MB	CCSR - Boot ROM	64 KB
0x0000_0010_0000	0x0000_00FF_FFFF	15 MB	Reserved	
0x0000_0100_0000	0x0000_0FFF_FFFF	240 MB	CCSR	
0x0000_1000_0000	0x0000_10FF_FFFF	16 MB	Reserved	
0x0000_1100_0000	0x0000_11FF_FFFF	16 MB	Reserved	
0x0000_1200_0000	0x0000_13FF_FFFF	32 MB	Reserved	
0x0000_1400_0000	0x0000_17FF_FFFF	64 MB	Reserved	
0x0000_1800_0000	0x0000_181F_FFFF	2 MB	OCRAM	128 KB
0x0000_1820_0000	0x0000_18FF_FFFF	14 MB	Reserved	
0x0000_1900_0000	0x0000_19FF_FFFF	16 MB	CoreSight STM	16 MB
0x0000_1A00_0000	0x0000_1BFF_FFFF	32 MB	Reserved	
0x0000_1C00_0000	0x0000_1CFF_FFFF	16 MB	Reserved	
0x0000_1D00_0000	0x0000_1FFF_FFFF	48 MB	Reserved	
0x0000_2000_0000	0x0000_2FFF_FFFF	256 MB	Quad SPI Region #1 (0-256 MB)	More QSPI space below 256 MB
0x0000_3000_0000	0x0000_3FFF_FFFF	256 MB	IFC Region #1 (0-256 MB)	More IFC space below 256 MB
0x0000_4000_0000	0x0000_5FFF_FFFF	512 MB	Reserved	
0x0000_6000_0000	0x0000_7FFF_FFFF	512 MB	Reserved	
0x0000_8000_0000	0x0000_9FFF_FFFF	512 MB	GPP DRAM Region #1 (0-2 GB)	
0c0000_A000_0000	0x0000_BFFF_FFFF	512 MB		
0x0000_C000_0000	0x0000_DFFF_FFFF	512 MB		
0x0000_E000_0000	0x0000_FFFF_FFFF	512 MB		
0x0001_0000_0000	0x0001_FFFF_FFFF	4 GB	Reserved	
0x0002_0000_0000	0x0003_FFFF_FFFF	8 GB		
0x0004_0000_0000	0x0004_0FFF_FFFF	256 MB	Hole	QSPI space #1 maps on top of this space
0x0004_1000_0000	0x0004_FFFF_FFFF	3.75 GB	Quad SPI Region #2 (256 MB-4 GB)	3.75 GB 0x0005_0000_0000 0x0005_0FFF_FFFF 256

Start address	End address	Size	Allocation	Comment
		MB	Hole	IFC space #1 maps on top of this space
0x0005_1000_0000	0x0005_FFFF_FFFF	3.75 GB	IFC Region #2 (256 MB-4 GB)	3.75 GB
0x0006_0000_0000	0x0006_FFFF_FFFF	4GB	Reserved	
0x0007_0000_0000	0x0007_3FFF_FFFF	1 GB	DCSR	
0x0007_4000_0000	0x0007_FFFF_FFFF	3 GB	Reserved	
			DPAA2 Portal Map	
0x0008_0000_0000	0x0008_03FF_FFFF	64 MB	Reserved	
0x0008_0400_0000	0x0008_07FF_FFFF	64 MB	Reserved	
0x0008_0800_0000	0x0008_0BFF_FFFF	64 MB	Reserved	
0x0008_0C00_0000	0x0008_0FFF_FFFF	64 MB	MC - 1024 portals	32 MB (512 portal)
0x0008_1000_0000	0x0008_17FF_FFFF	128 MB	Reserved	
0x0008_1800_0000	0x0008_1FFF_FFFF	128 MB	QBMAN portals	128 MB
0x0008_0000_0000	0x000B_FFFF_FFFF	15.5 GB	Reserved	
0x000C_0000_0000	0x000F_FFFF_FFFF	16 GB	Reserved	
			High-speed I/O (PCIe)	See details of specific IPs below
0x0010_0000_0000	0x0011_FFFF_FFFF	8 GB	Reserved	
0x0012_0000_0000	0x0013_FFFF_FFFF	8 GB	Reserved	
0x0014_0000_0000	0x0015_FFFF_FFFF	8 GB	Reserved	
0x0016_0000_0000	0x0017_FFFF_FFFF	8 GB	Reserved	
0x0018_0000_0000	0x0019_FFFF_FFFF	8 GB	Reserved	
0x001A_0000_0000	0x001B_FFFF_FFFF	8 GB	Reserved	
0x001C_0000_0000	0x001D_FFFF_FFFF	8 GB	Reserved	
0x001E_0000_0000	0x001F_FFFF_FFFF	8 GB	Reserved	
0x0020_0000_0000	0x0027_FFFF_FFFF	32 GB	PCIe1	
0x0028_0000_0000	0x002F_FFFF_FFFF	32 GB	PCIe2	
0x0030_0000_0000	0x0037_FFFF_FFFF	32 GB	PCIe3	
0x0038_0000_0000	0x003F_FFFF_FFFF	32 GB	PCIe4	
			DPAA2 Ext address map	
0x0040_0000_0000	0x0040_FFFF_FFFF	4 GB	Reserved	
0x0041_0000_0000	0x0041_FFFF_FFFF	4 GB	Reserved	
0x0042_0000_0000	0x0042_FFFF_FFFF	4 GB	Reserved	
0x0043_0000_0000	0x0043_FFFF_FFFF	4 GB	WRIOP access window	
0x0044_0000_0000	0x0047_FFFF_FFFF	16 GB	Reserved	
0x0048_0000_0000	0x0048_FFFF_FFFF	4 GB	Reserved	

Start address	End address	Size	Allocation	Comment
0x0049_0000_0000	0x0049_FFFF_FFFF	4 GB	Reserved	
0x004A_0000_0000	0x004A_FFFF_FFFF	4 GB	Reserved	
0x004B_0000_0000	0x004B_FFFF_FFFF	4 GB	Reserved	
0x004C_0000_0000	0x004F_FFFF_FFFF	16 GB	Packet express buffer	4 MB
0x0050_0000_0000	0x005F_FFFF_FFFF	64 GB	Reserved	
0x0060_0000_0000	0x007F_FFFF_FFFF	128 GB	DPAA2 DRAM	
0x0080_0000_0000	0x0080_7FFF_FFF	2 GB	Hole	
0x0080_8000_0000	0x00FF_FFFF_FFFF	510 GB	GPP DRAM Region #2 (2-512 GB)	

3.7.9.2.3 Supported boot options

LS2088ARDB supports the following boot options:

- Parallel NOR flash (referred to as "NOR" or "NOR flash" in the following sections)
- QSPI NOR flash (only available on RDB Rev E and later)

3.7.9.2.4 Onboard switch options

The RDBs have user selectable switches for evaluating different boot options for the LS2088A device as given in the table below ('0' is OFF, '1' is ON).

Boot source	SW5[1:8]	SW3[1:8]	SW4[1:8]	SW6[1:8]	SW7[1:8]	SW9[1:8]	SW8[1:8]
NOR flash bank0 (default)	1111 1111	0001 0010	1111 1111	1111 1111	0100 0010	0100 0000	0111 1111
NOR flash bank4	1111 1111	0001 0010	1111 1111	1111 1111	0100 0010	0110 0000	0111 1111
QSPI NOR flash	1111 1111	0011 0001	0111 1111	1111 1111	0100 1010	0100 0000	0111 1111

Note that changing the boot device configuration from the default setting may require additional changes in the RCW or in other code images. For information on RCW naming convention for LS2088ARDB see <https://github.com/nxp-qoriq/rcw/blob/master/ls2088ardb/README>.

In addition to the above switch settings, make sure the following jumper settings are correct based on the preferred type of boot (for RDB Rev E and later).

Jumper	Settings
J8	For QSPI-boot, via onboard qspi flash: 1-2 For QSPI-boot, via qspi emulator: 2-3
J14	For NOR-boot: 1-2 For QSPI-boot: 2-3

3.7.9.2.5 NOR Flash Banks

LS2088ARDB provides a special feature that allows a single NOR flash to be divided into multiple parts called "banks". This is done by board-level logic that modifies address signals. As there is only one NOR flash

physically, the banks are sometimes called "virtual" banks. The benefit of this feature is that it allows more than one set of images to be independently deployed to one NOR flash. This is very helpful during development because the U-Boot image in one bank can be used to program an image set into a different bank. If the new images are flawed, the old images are still functional. The logic on the board usually allows the NOR flash to be divided into up to 8 banks, but the NOR flash on LS2088ARDB is divided into two halves. The halves are called bank 0 and bank 4. Bank switching can be done in software using `qixis_reset` commands. To determine the current bank, refer to the example U-Boot log given below.

```
U-Boot 2022.04+fsl+gl181859317b (Nov 15 2022 - 06:28:05 +0000)
SoC: LS2088AE Rev1.1 (0x87090011)
Clock Configuration:
CPU0 (A72):1800 MHz CPU1 (A72):1800 MHz CPU2 (A72):1800 MHz
CPU3 (A72):1800 MHz CPU4 (A72):1800 MHz CPU5 (A72):1800 MHz
CPU6 (A72):1800 MHz CPU7 (A72):1800 MHz
Bus: 700 MHz DDR: 1866.667 MT/s DP-DDR: 1600 MT/s
Reset Configuration Word (RCW):
00000000: 483038b8 48480048 00000000 00000000
00000010: 00000000 00000000 00a00000 00000000
00000020: 01e01180 00002581 00000000 00000000
00000030: 00400c0b 00000000 00000000 00000000
00000040: 00000000 00000000 00000000 00000000
00000050: 00000000 00000000 00000000 00000000
00000060: 00000000 00000000 00027000 00000000
00000070: 412a0000 00040000
Model: Freescale Layerscape 2080a RDB Board
Board: LS2088AE Rev1.1-RDB, Board Arch: V1,

Board version: F, boot from vBank: 4
FPGA: v1.22
```

Bank switching in NOR flash can be performed in U-Boot using the following statements.

- Boot from default bank (according to switch settings):

```
=>qixis_reset
```

- Switch to alternate bank:

```
=>qixis_reset altbank
```

Note:

Boot option switching between parallel NOR boot and QSPI NOR boot cannot be performed using commands. Boot option switching can be done by adjusting DIP switch settings and jumper settings on the Reference Design Board as given above.

3.7.9.2.6 U-Boot Environment Variables

- DPAA2-specific Environment Variables
 - **mcmemsize**: Defines amount of system DDR to be used by the Management Complex. If this variable is not defined, the compile-time `CONFIG_SYS_LS_MC_DRAM_BLOCK_MIN_SIZE` will be the default. Normally, users do not need to set this variable because the default is acceptable.
- Environment variables that are not specific to DPAA2
 - **bootcmd**: Contains commands that are automatically executed when the U-Boot boot command is run. This happens automatically when the user does not interrupt U-Boot initial count down. In normal usage, `bootcmd` should contain the command to apply the Management Complex Data Path Layout (DPL) file because this must be done before booting Linux. When booting from NOR, When booting from NOR, the default `bootcmd` is `bootcmd=env exists mcinitcmd && env exists secureboot`

```
&& esbc_validate 0x580780000; env exists mcinitcmd && fsl_mc lazyapply dpl
0x580d00000;run distro_bootcmd;run nor_bootcmd; env exists secureboot &&
esbc_halt;
```

For more information on U-Boot distro boot command, see [Section 4.3.2](#).

3.7.9.3 LS2088ARDB recovery information

If LS2088ARDB board fails to boot from NOR bank 0, you can recover NOR bank 0 from NOR bank 4 by following these steps:

1. Download the prebuilt composite firmware image:

```
$ cp <build>/tmp/deploy/image/ls1043ardb/firmware_ls2088ardb_norboot.img ~/
tftp
```

2. Boot LS2088ARDB from NOR bank 4 with the following switch settings:

- SW5[1:8] = 1111 1111
- SW3[1:8] = 0001 0010
- SW4[1:8] = 1111 1111
- SW6[1:8] = 1111 1111
- SW7[1:8] = 0100 0010
- SW9[1:8] = 0110 0000
- SW8[1:8] = 0111 1111

3. Program NOR bank 0 from NOR bank 4:

```
=> tftp $load_addr firmware_ls2088ardb_norboot.img
=> protect off 584000000 +$filesize && erase 584000000 +$filesize && cp.b
$load_addr 584000000 $filesize
```

4. Reset and boot the board from NOR bank 0:

```
=> qixis_reset
```

Note: If LS2088ARDB fails to boot from both the NOR banks, you need to recover the board using **CodeWarrior for LS Series, Arm v8 ISA**. For steps to recover the board using the CodeWarrior tool, see section "8.6 Board Recovery" in [ARM V8 ISA, Targeting Manual](#)

3.7.9.4 Program Layerscape LDP composite firmware image

This topic explains steps to program NOR firmware image to IFC NOR flash on LS2088ARDB and QSPI firmware image to QSPI NOR flash on LS2088ARDB.

To program Layerscape LDP composite NOR firmware image to IFC NOR flash on LS2088ARDB:

1. Copy firmware on host machine to tftp server.

```
$ cp <build>/tmp/deploy/image/ls2088ardb/firmware_ls2088ardb_norboot.img ~/
tftp/
```

2. Make sure the DIP switch and jumper settings on the board are for IFC NOR flash. (Refer to "[Section 3.7.9.2](#)" for switch and jumper settings.)
3. Reboot the board from NOR flash bank 0 and stop autoboot to enter U-Boot prompt.
4. Under U-Boot, download the firmware to the reference board using one of the following options:
 - Load firmware from the TFTP server

```
=> tftp $load_addr firmware_ls2088ardb_norboot.img
```

- Load firmware image from partition on mass storage device (SD, USB, or SATA)

```
=> load mmc <device:par> $load_addr firmware_ls2088ardb_norboot.img
```

For example:

```
=> load mmc 0:2 $load_addr firmware_ls2088ardb_norboot.img
```

or

```
=> load usb <device:part> $load_addr firmware_ls2088ardb_norboot.img
```

or

```
=> load scsi <device:part> $load_addr firmware_ls2088ardb_norboot.img
```

Note:

Use the following command if the SD card is formatted/created using Layerscape LDP flex-installer command:

```
=> load <interface> [<dev[:part]>] [<addr> [<filename> [bytes [pos]]]]
```

For example:

```
=> load mmc 0:2 $load_addr firmware_ls2088ardb_norboot.img
```

Use the following command if the SD card is formatted/created on a Windows PC:

```
=> fatload <interface> [<dev[:part]>] [<addr> [<filename> [bytes [pos]]]]
```

For example:

```
=> fatload mmc 0:2 $load_addr firmware_ls2088ardb_norboot.img
```

Use the following command if the SD card is formatted/created on a Linux PC:

```
=> ext2load <interface> [<dev[:part]>] [<addr> [<filename> [bytes [pos]]]]
```

For example:

```
=> ext2load mmc 0:2 $load_addr firmware_ls2088ardb_norboot.img
```

Also note that Layerscape LDP flex-installer command puts the images on the second partition, so 0:2 is used in the load command. If the SD card is formatted on Windows PC or Linux PC for single partition only, then 0 should be used instead of 0:2 in the fatload/ext2load command.

5. Program the composite firmware into IFC NOR flash.

- To program alternate bank:

```
=> protect off 584000000 +$filesize && erase 584000000 +$filesize && cp.b  
a0000000 584000000 $filesize
```

- To program current bank:

```
=> protect off 580000000 +$filesize && erase 580000000 +$filesize && cp.b  
a0000000 580000000 $filesize
```

6. Reset and boot the board from IFC NOR flash. The system will automatically boot up TinyDistro (log in using root/root) or Layerscape LDP distro (log in using user/user) available on the removable storage device.

- To boot from NOR flash bank 0.

```
=> qixis_reset
```

- To boot from NOR flash bank 4.

```
=> qixis_reset altbank
```

To program Layerscape LDP composite firmware image in QSPI NOR flash on LS2088ARDB:

1. Copy firmware on host machine to tftp server.

```
$ cp <build>/tmp/deploy/image/ls2088ardb/firmware_ls2088ardb-
rev2_qspiboot.img ~/tftp/
```

2. Make sure the DIP switch and jumper settings on the board are for QSPI NOR flash. (Refer to “[Section 3.7.9.2](#)” for switch and jumper settings.)
3. Under U-Boot, download the firmware to the reference board using one of the following options:
 - Load firmware from the TFTP server

```
=> tftp $load_addr firmware_ls2088ardb_qspiboot.img
```

- Load firmware image from partition on mass storage device (SD, USB, or SATA)

```
=> load mmc <device:part> $load_addr firmware_ls2088ardb_qspiboot.img
```

For example:

```
=> load mmc 0:2 $load_addr firmware_ls2088ardb_qspiboot.img
```

or

```
=> load usb <device:part> $load_addr firmware_ls2088ardb_qspiboot.img
```

or

```
=> load scsi <device:part> $load_addr firmware_ls2088ardb_qspiboot.img
```

Note:

Use the following command if the SD card is formatted/created using Layerscape LDP flex-installer command:

```
=> load <interface> [<dev[:part]>] [<addr> [<filename> [bytes [pos]]]]
```

For example:

```
=> load mmc 0:2 $load_addr firmware_ls2088ardb_qspiboot.img
```

Use the following command if the SD card is formatted/created on a Windows PC:

```
=> fatload <interface> [<dev[:part]>] [<addr> [<filename> [bytes [pos]]]]
```

For example:

```
=> fatload mmc 0:2 $load_addr firmware_ls2088ardb_qspiboot.img
```

Use the following command if the SD card is formatted/created on a Linux PC:

```
=> ext2load <interface> [<dev[:part]>] [<addr> [<filename> [bytes [pos]]]]
```

For example:

```
=> ext2load mmc 0:2 $load_addr firmware_ls2088ardb_qspiboot.img
```

Also note that Layerscape LDP flex-installer command puts the images on the second partition, so 0:2 is used in the load command. If the SD card is formatted on Windows PC or Linux PC for single partition only, then 0 should be used instead of 0:2 in the fatload/ext2load command.

4. Program the firmware to QSPI NOR flash.

```
=> sf probe 0:0
=> sf erase 0 +$filesize && sf write $load_addr 0 $filesize
```

5. Reset the board. The system will automatically boot up TinyDistro (log in using root/root) or Layerscape LDP distro (log in using user/user) available on the removable storage device.

```
=> reset
```

3.7.9.5 Bringing up DPAA2 network interfaces

This section describes the procedure to bring up DPAA2 network interfaces.

3.7.9.5.1 Use Linux commands to list network interfaces

The Linux distribution boots with a default DPL file which enables only one network interface on DPAA2 by default as a standard kernel Ethernet interface. Run the following standard Linux command to get a list of enabled interfaces.

```
$ ip link show
```

The default interface is named eth0 (or eth1 if a PCI Express network interface card is discovered first).

3.7.9.5.2 Use restool wrapper scripts to list DPAA2 objects

User-friendly wrapper scripts are provided in the release rootfs to assist with dynamic creation of DPNI and associated dependencies. The wrapper scripts call restool commands.

Enter the following command for a list of the available wrapper scripts:

```
$ ls-main
```

The Ethernet interfaces have corresponding DPAA2 objects associated with them. Run the following restool wrapper script to list the enabled data path network interface (DPNI) associated with eth0 (or eth1).

```
$ ls-listni
dprc.1/dpni.0 (interface: eth1, end point: dpmac.5)
```

This indicates that the data path network interface named dpni.0 which belongs to the DPAA2 resource container dprc.1 is present. This DPNI object corresponds to the interface named eth1 which is connected to dpmac.5.

The following command can be used to list all DPMAC objects present in the system and what they are connected to (if anything).

```
$ ls-listmac
dprc.1/dpmac.8
dprc.1/dpmac.7
dprc.1/dpmac.6
dprc.1/dpmac.5 (end point: dpni.0)
dprc.1/dpmac.4
dprc.1/dpmac.3
dprc.1/dpmac.2
dprc.1/dpmac.1
```

For more information on DPAA2 objects and restool, see [Section 7.3](#).

3.7.9.5.3 Add and destroy network interfaces

As mentioned in previous sections, interface eth0 (or eth1) corresponds to the data path network interface dpni.0 which is the only one enabled by default DPL file. However, users may need more than one network interface enabled. Also, DPNI.0 is configured with a minimal set of resources – for example, it can only receive traffic on one core via one queue. Additional and fully featured DPNI objects can be created using restool. Once these objects are created, the configuration can be saved to a custom DPL file.

Running the command below is the simplest way of adding a DPNI object and connecting it to a DPMAC. In this example DPNI object is being connected to dpmac.4 using default options and arguments.

```
$ ls-addni dpmac.4
Created interface: eth0 (object:dpni.1, endpoint: dpmac.4)
```

Run the following command to display information about the newly created dpni.1 interface. The number of queues is shown to be 8, one queue per core for 8 cores which can receive traffic.

```
restool dpni info dpni.1
```

If you want to connect DPMAC5 (which is connected to dpni.0 by default) to a fully-featured data path network interface, then you must first unbind and destroy the existing interface by using the commands below.

Unbind dpni.0 from the driver

```
$ echo dpni.0 > /sys/bus/fsl-mc/drivers/fsl_dpaa2_eth/unbind
```

Destroy data path network interface dpni.0

```
$ restool dpni destroy dpni.0
dpni.0 is destroyed
```

Now add back dpmac.5 using the command below. Even though dpmac.5 is again connected to dpni.0, dpni.0 now uses 8 queues for traffic distribution.

```
$ ls-addni dpmac.5
Created interface: eth0 (object:dpni.0, endpoint: dpmac.5)
```

3.7.9.5.4 Save configuration to a custom DPL file (Optional)

After the additional DPNI objects are created, a custom DPL file can be generated using the following command. This DPL file has a *.dts format and is created on the reference board.

```
$ restool dprc generate-dpl dprc.1 > <file_name>.dts
```

The resulting *.dts file must be compiled using the dtc tool to generate a *.dtb file. Copy this file to a Linux host machine or server using SCP and run the following command to convert it to a *.dtb file.

```
$ dtc -I dts -O dtb <file_name>.dts -o <file_name>.dtb
```

The newly created DPL file can be flashed on to the board and used to boot to Linux.

3.7.9.5.5 Assign IP addresses to network interfaces

Static IP addresses can be assigned to network interfaces using the standard `ifconfig` or `ip` commands.

```
ifconfig <interface_name_in_Linux> <ip_address>
OR
ip address add <ip_address> dev <interface_name_in_linux>
```

Alternatively, Static IP addresses can also be assigned using netplan. Create a file called “`config.yaml`” in `/etc/netplan`. Using a text editor, add the following lines to this config file and save it.

```
network:
  version: 2
  renderer: networkd
  ethernets:
    <interface_name_in_Linux>:
      addresses:
        - <ip_address>/24
```

After saving this file, run the following command to apply this netplan configuration and then reboot the board.

```
sudo netplan apply
```

Once the board reboots, bring up the desired interface by using “`ifconfig <interface_name_in_Linux> up`” or “`ip link set <interface_name_in_Linux> up`” command. The interface is assigned the IP address that was entered in the “`config.yaml`” file.

Netplan can also be used for dynamic IP address assignment using DHCP. For dynamic IP assignment, replace the contents of the `config.yaml` file with the following.

```
network:
  version: 2
  renderer: networkd
  ethernets:
    <interface_name_in_Linux>:
      dhcp4: true
```

Follow the same procedure as for the static IP assignment using Netplan after saving the “`config.yaml`” file.

3.7.10 Quick start guide for LX2160ARDB Rev2

This section explains:

- [Introduction](#)
- [LX2160ARDB reference information](#)
- [LX2160ARDB recovery information](#)
- [Program Layerscape LDP composite firmware image](#)
- [Bringing up DPPA2 network interfaces](#)

3.7.10.1 Introduction

The following sections describe the procedure to program Layerscape LDP composite firmware for LX2160ARDB Rev2. Also, this section explains the most common use case procedure to download and deploy Layerscape LDP default images to LX2160ARDB Rev2 using flex-installer. For more information, see [Section 3.2](#).

For more information on the different components of the board, and on how to configure and boot the board, see [LX2160A Reference Design Board Getting Started Guide](#).

3.7.10.2 LX2160ARDB reference information

This section provides general information about LX2160ARDB Rev2 which may come in handy as a reference while completing steps for deploying Layerscape LDP that follow.

3.7.10.2.1 Ethernet port map

Port name on chassis	Port name in U-Boot	Port name in TinyDistro	Port name in Linux
40G MAC2	DPMAC2@xlai4	Interface name will be eth.n. For example, eth0, eth1, and so on. Eth0 : If PCIe is connected, else it will be any connected DPAA2 interface.	PCIe : enp1s0 DPAA: ethx
10G MAC3	DPMAC3@xgmii		
10G MAC4	DPMAC4@xgmii		
25G MAC5	DPMAC5@25g-aui		
25G MAC6	DPMAC6@25g-aui		
1G MAC17	DPMAC17@rgmii-id		
1G MAC18	DPMAC18@rgmii-id		

Note: Interface name is not fixed in LX2160ARDB Rev2, depending upon which interface is active, name will be assigned. Interface names can be checked using `ls-listni` command.

```
root@TinyDistro:~# ls-listni
dprc.1/dpni.1 (interface: eth0, end point: dpmac.2)
dprc.1/dpni.0 (interface: eth1, end point: dpmac.17)
```

3.7.10.2.2 System memory map

Start address	End address	Size	Allocation	Comment
0x0000_0000_0000	0x0000_000F_FFFF	1 MB	CCSR - Boot ROM	64 KB
0x0000_0010_0000	0x0000_00FF_FFFF	15 MB	Reserved	
0x0000_0100_0000	0x0000_0FFF_FFFF	240 MB	CCSR	
0x0000_1000_0000	0x0000_10FF_FFFF	16 MB	Reserved	SP alias this space to DCSR. Do not allocate.
0x0000_1100_0000	0x0000_11FF_FFFF	16 MB	Reserved	SP alias this space to DCSR. Do not allocate.
0x0000_1200_0000	0x0000_13FF_FFFF	32 MB	Reserved	SP alias this space to DCSR. Do not allocate.
0x0000_1400_0000	0x0000_17FF_FFFF	64 MB	Reserved	
0x0000_1800_0000	0x0000_181F_FFFF	2 MB	OCRAM	256 KB
0x0000_1820_0000	0x0000_18FF_FFFF	14 MB	Reserved	
0x0000_1900_0000	0x0000_19FF_FFFF	16 MB	CoreSight STM	
0x0000_1A00_0000	0x0000_1BFF_FFFF	32 MB	Reserved	
0x0000_1C00_0000	0x0000_1CFF_FFFF	16 MB	Reserved	

0x0000_1D00_0000	0x0000_1FFF_FFFF	48 MB	Reserved	
0x0000_2000_0000	0x0000_2FFF_FFFF	256 MB	FlexSPI Region #1	
0x0000_3000_0000	0x0000_3FFF_FFFF	256 MB	Reserved	
0x0000_4000_0000	0x0000_5FFF_FFFF	512 MB	Reserved	
0x0000_6000_0000	0x0000_7FFF_FFFF	512 MB	Reserved	
0x0000_8000_0000	0x0000_9FFF_FFFF	512 MB	GPP DRAM Region #1 (0-2 GB)	
0x0000_A000_0000	0x0000_BFFF_FFFF	512 MB		
0x0000_C000_0000	0x0000_DFFF_FFFF	512 MB		
0x0000_E000_0000	0x0000_FFFF_FFFF	512 MB		
0x0001_0000_0000	0x0001_FFFF_FFFF	4 GB	Reserved	
0x0002_0000_0000	0x0003_FFFF_FFFF	8 GB		
0x0004_0000_0000	0x0004_0FFF_FFFF	256 MB	FlexSPI Hole	Collapsed away by remapping logic to merge FlexSPI Region #1
0x0004_1000_0000	0x0004_FFFF_FFFF	3.75 GB	FlexSPI Region #2 (256 MB-4 GB)	3.75 GB
0x0005_0000_0000	0x0005_FFFF_FFFF	4 GB	Reserved	
0x0006_0000_0000	0x0006_FFFF_FFFF	4 GB	Reserved	
0x0007_0000_0000	0x0007_3FFF_FFFF	1 GB	DCSR	
0x0007_4000_0000	0x0007_FFFF_FFFF	3 GB	Reserved	
DPAA2 Portal Map				
0x0008_0000_0000	0x0008_03FF_FFFF	64 MB	Reserved	512 MB (0x0008_0000_0000-0x0008_1FFF_FFFF)
0x0008_0400_0000	0x0008_07FF_FFFF	64 MB	Reserved	
0x0008_0800_0000	0x0008_0BFF_FFFF	64 MB	Reserved	
0x0008_0C00_0000	0x0008_0FFF_FFFF	64 MB	MC - 1024 portals	
0x0008_1000_0000	0x0008_17FF_FFFF	128 MB	Reserved	
0x0008_1800_0000	0x0008_1FFF_FFFF	128 MB	QBMAN portals	
0x0008_2000_0000	0x000B_FFFF_FFFF	15.5 GB	Reserved	
0x000C_0000_0000	0x000F_FFFF_FFFF	16 GB	Reserved	
DPAA2 External address map				
0x0010_0000_0000	0x0010_FFFF_FFFF	4 GB	Reserved	(0x0010_0000_0000-0x001F_FFFF_FFFF)
0x0011_0000_0000	0x0011_FFFF_FFFF	4 GB	Reserved	
0x0012_0000_0000	0x0012_FFFF_FFFF	4 GB	Reserved	
0x0013_0000_0000	0x0013_FFFF_FFFF	4 GB	WRIOP access window	
0x0014_0000_0000	0x001B_FFFF_FFFF	32 GB	Reserved	
0x001C_0000_0000	0x001C_001F_FFFF	2 MB	Packet express buffer	
0x001C_4000_0000	0x001F_FFFF_FFFF	79 GB	Reserved	
0x0020_0000_0000	0x0020_7FFF_FFFF	2 GB	DRAM Hole	
0x0020_8000_0000	0x003F_FFFF_FFFF	126 GB	GPP DRAM Region #2	

0x0040_0000_0000	0x005F_FFFF_FFFF	128 GB	Reserved DRAM Hole Other "Normal" Memory	Collapsed by remap logic after MemNoC to merge DRAM Regions #1 and #2
0x0060_0000_0000	0x007F_FFFF_FFFF	128 GB	GPP DRAM Region #3	
High-speed I/O (PCI Express)				
0x0080_0000_0000	0x0087_FFFF_FFFF	32 GB	PCI Express 1	(0x0080_0000_0000-0x00FF_FFFF_FFFF)
0x0088_0000_0000	0x008F_FFFF_FFFF	32 GB	PCI Express 2	
0x0090_0000_0000	0x0097_FFFF_FFFF	32 GB	PCI Express 3	
0x0098_0000_0000	0x009F_FFFF_FFFF	32 GB	PCI Express 4	
0x00A0_0000_0000	0x00A7_FFFF_FFFF	32 GB	PCI Express 5	
0x00A8_0000_0000	0x00AF_FFFF_FFFF	32 GB	PCI Express 6	

3.7.10.2.3 Supported boot options

LX2160ARDB Rev2 supports the following boot options:

- FlexSPI NOR flash (referred to as "FSPI" or "FSPI flash" in the following sections). CS refers to Chip Select.
- eMMC
- SD card (SDHC1)

3.7.10.2.4 Onboard switch options

The RDBs have user selectable switches for evaluating different boot options for the LX2160A device as given in the table below ('0' is OFF, '1' is ON).

Boot source	SW1[1:8]	SW2[1:8]	SW3[1:8]	SW4[1:8]
FSPI NOR CS0 (default)	1111 1000	0000 0110	1111 1100	1011 1000
FSPI NOR CS1	1111 1001	0000 0110	1111 1100	1011 1000
SD Card (SDHC1)	1000 1000	0000 0110	1111 1100	1011 1000
eMMC	1001 1000	0000 0110	1111 1100	1011 1000

Note: SW4[2] switch should be turned on [1], if user wants to power on the board as soon as power supply is turned on. This is useful in scenarios when the board is to be used remotely.

Changing the boot device configuration from the default setting may require additional changes in the RCW or in other code images. For information on RCW naming convention for LX2160ARDB Rev2, see <https://github.com/nxp-qoriq/rcw/blob/master/lx2160ardb/README>.

In addition to the above switch settings, make sure that the following jumper settings are correct.

Table 15. LX2160ARDB Rev2 jumpers

Jumper	Type	Name/function	Description
J6	1x2-pin connector	TA_BB_TMP_DETECT_B enable	Open: TA_BB_TMP_DETECT_B pin is grounded Shorted: TA_BB_TMP_DETECT_B pin is powered (default setting)

Table 15. LX2160ARDB Rev2 jumpers...continued

Jumper	Type	Name/function	Description
J7	1x2-pin connector	VBAT power for TA_BB_VDD enable	Not supported. Do not install J7. See LX2160A Reference Design Board Errata for more details.
J8	1x2-pin connector	PROG_MTR voltage control (for NXP use only)	Open: PROG_MTR pin is powered off (default setting) Shorted: PROG_MTR pin is powered by OVDD (1.8 V)
J9	1x2-pin connector	TA_PROG_SFP voltage control (for NXP use only)	Open: TA_PROG_SFP pin is powered off (default setting) Shorted: TA_PROG_SFP pin is powered by OVDD (1.8 V)
J31	1x2-pin connector	USB1 mode setting	Open: USB1 works in Device mode Shorted: USB1 works in Host mode (default setting)
J33	1x2-pin connector	USB2 mode setting	Open: USB2 works in On-The-Go (OTG) mode (default setting) Shorted: USB2 works in Host mode
J56	2x3-pin connector	Inphi CS4223 GUI access	Normal: 1-2 short, 5-6 short (default setting) GUI mode: 1-2 open, 5-6 open
J57	1x2-pin connector	Inphi CS4223 GUI enable	Normal: Open (default setting) GUI mode: Short
J58	1x2-pin connector	Fan speed	Open: 100% speed Short: 50% speed (default setting)

3.7.10.2.5 FlexSPI NOR Flash Chip-select

FlexSPI NOR flash is a simple and convenient destination for deploying images so it is frequently used.

The benefit of this feature is that it allows more than one set of images to be independently deployed to the one NOR flash. It is helpful during development because you can use the U-Boot image in one chip-select to program an image set into a different chip-select. If the new images are flawed, the old images are still functional to let you deploy corrected images.

The logic on the board usually allows the NOR flash to be accessed from different CS (chip select) option. Each CS is connected to dedicated NOR flash devices, those CSs are called, DEV#0 and DEV#1. U-Boot prints which CS is loaded from.

The following is the sample output:

```
U-Boot 2022.04+fsl+g181859317b (Nov 15 2022 - 06:28:05 +0000)
SoC: LX2160ACE Rev2.0 (0x87360020)
Clock Configuration:
CPU0 (A72):2200 MHz CPU1 (A72):2200 MHz CPU2 (A72):2200 MHz
CPU3 (A72):2200 MHz CPU4 (A72):2200 MHz CPU5 (A72):2200 MHz
CPU6 (A72):2200 MHz CPU7 (A72):2200 MHz CPU8 (A72):2200 MHz
CPU9 (A72):2200 MHz CPU10 (A72):2200 MHz CPU11 (A72):2200 MHz
CPU12 (A72):2200 MHz CPU13 (A72):2200 MHz CPU14 (A72):2200 MHz
CPU15 (A72):2200 MHz
Bus: 750 MHz DDR: 3200 MT/s
Reset Configuration Word (RCW):
00000000: 5883833c 24580058 00000000 00000000
```

```

00000010: 00000000 0c010000 00000000 00000000
00000020: 390001a0 00002580 00000000 00000096
00000030: 00000000 00000000 00000000 00000000
00000040: 00000000 00000000 00000000 00000000
00000050: 00000000 00000000 00000000 00000000
00000060: 00000000 00000000 00027000 00000000
00000070: 08b30010 00150020
Model: NXP Layerscape LX2160ARDB Board
Board: LX2160ACE Rev2.0-RDB, Board version: C, boot from SD
FPGA: v9.0

```

Boot option switching can be performed in U-Boot using the following statements.

- Switch to FlexSPI NOR flash 0 (default):

```
=>qixis_reset
```

- Switch to FlexSPI NOR flash 1:

```
=>qixis_reset altbank
```

- Switch to SD:

```
=>qixis_reset sd
```

- Switch to eMMC:

```
=>qixis_reset emmc
```

3.7.10.2.6 U-Boot Environment Variables

The environment variables specific and unspecific to DPAA2 are given below:

- DPAA2-specific Environment Variables
 - **mcboottimeout**: Defines Management Complex boot timeout in milliseconds. If this variable is not defined the compile-time value, `CONFIG_SYS_LS_MC_BOOT_TIMEOUT_MS` is the default. Normally, users do not need to set this variable because the default is acceptable.
 - **mcmemsize**: Defines amount of system DDR to be use by the Management Complex. If this variable is not defined, the compile-time value `CONFIG_SYS_LS_MC_DRAM_BLOCK_MIN_SIZE` is the default. Normally, users do not need to set this variable because the default is acceptable.
 - **mcinitcmd**: Contains commands to load and start the Management Complex automatically before the U-Boot count down to boot starts. If this variable is defined, its contents are run. The default value assumes that the Management Complex (MC) firmware and Data Path Control file are stored in FlexSPI flash/SD at fixed addresses. The default value for FlexSPI boot is `mcinitcmd= sf probe 0:0 && sf read 0x80640000 0x640000 0x80000 && env exists secureboot && esbc_validate 0x80640000 && esbc_validate 0x80680000; sf read 0x80a00000 0xa00000 0x300000 && sf read 0x80e00000 0xe00000 0x100000; fsl_mc start mc 0x80a00000 0x80e00000.` The default value for SD boot is `mcinitcmd=mmc read 0x80a00000 0x5000 0x1200;mmc read 0x80e00000 0x7000 0x800;env exists secureboot && mmc read 0x80640000 0x3200 0x20 && mmc read 0x80680000 0x3400 0x20 && esbc_validate 0x80640000 && esbc_validate 0x80680000 ;fsl_mc start mc 0x80a00000 0x80e00000.` Users may change this variable as needed to load the MC files from sources, other than FlexSPI into DDR, and then start the MC using the `fsl_mc` command. For example, the files may be on a disk drive.
- Environment variables that are not specific to DPAA2
 - **bootcmd**: Contains commands that are automatically executed when the U-Boot boot command is run. This happens automatically when the user does not interrupt U-Boot initial count down. In normal usage, `bootcmd` should contain the command to apply the Management Complex Data Path Layout (DPL) file

because this must be done before booting Linux. When booting from FlexSPI NOR, the default bootcmd is `sf probe 0:0; sf read 0x806c0000 0x6c0000 0x40000; env exists mcinitcmd && env exists secureboot && esbc_validate 0x806c0000; sf read 0x80d00000 0xd00000 0x100000; env exists mcinitcmd && fsl_mc lazyapply dpl 0x80d00000; run distro_bootcmd; run xspi_bootcmd; env exists secureboot && esbc_halt;`
 When booting from SD, the default bootcmd is `bootcmd=env exists mcinitcmd && mmcinfo; mmc read 0x80d00000 0x6800 0x800; env exists mcinitcmd && env exists secureboot && mmc read 0x806c0000 0x3600 0x20 && esbc_validate 0x806c0000; env exists mcinitcmd && fsl_mc lazyapply dpl 0x80d00000; run distro_bootcmd; run sd_bootcmd; env exists secureboot && esbc_halt;`

For more information on U-Boot distro boot command, see [Section 4.3.2](#).

3.7.10.3 LX2160ARDB recovery information

If LX2160ARDB Rev2 board fails to boot from FSPI NOR bank #0, you can recover FSPI NOR bank #0 from FSPI NOR bank #1 by following these steps:

1. Download the prebuilt composite firmware image:

```
cp <build>/tmp/deploy/image/lx2160ardb/firmware_lx2160ardb_rev2_xspiboot.img
~/tftp
```

2. Boot LX2160ARDB Rev2 from FSPI NOR bank #1 with the following switch setting:

- SW1[1:8] = 1111 1001

3. Program FSPI NOR bank #0 from FSPI NOR bank #1:

```
=> sf probe 0:1
=> tftp $load_addr firmware_lx2160ardb_rev2_xspiboot.img
=> sf erase 0x0 +$filesize && sf write $load_addr 0x0 $filesize
```

4. Change switch setting back to default:

- SW1[1:8] = 1111 1000

5. Reset the board, board should boot from FSPI NOR bank #0:

```
=> reset
```

Note: If LX2160ARDB Rev2 fails to boot from both the FlexSPI NOR flash banks, you need to recover the board using **CodeWarrior for LS Series, Arm v8 ISA**. For steps to recover the board using the CodeWarrior tool, see section "8.6 Board Recovery" in [ARM V8 ISA, Targeting Manual](#).

3.7.10.4 Program Layerscape LDP composite firmware image

This topic explains steps to program FlexSPI NOR firmware image to FlexSPI NOR flash on LX2160ARDB Rev2 and SD/eMMC firmware image to SD/eMMC card on LX2160ARDB Rev2.

To program Layerscape LDP composite firmware image to FlexSPI NOR flash on LX2160ARDB Rev2:

1. Copy firmware on host machine to tftp server.

```
$ cp <build>/tmp/deploy/image/lx2160ardb/firmware_lx2160ardb-
rev2_xspiboot.img ~/tftp/
```

2. Reboot the board from FlexSPI NOR flash 0 and stop autoboot to enter U-Boot prompt.
3. Under U-Boot, download the firmware to the reference board using one of the following options:
Load firmware from the TFTP server

```
For LX2160A Rev2:
```

```
=> tftp $load_addr firmware_lx2160ardb_rev2_xspiboot.img
```

Load firmware image from partition on mass storage device (SD, USB, or SATA)

```
For LX2160A Rev2:
=> load mmc <device:partition> $load_addr
    firmware_lx2160ardb_rev2_xspiboot.img
```

For example:

```
For LX2160A Rev2:
=> load mmc 0:2 $load_addr firmware_lx2160ardb_rev2_xspiboot.img
```

or

```
For LX2160A Rev2:
=> load usb <device:part> $load_addr firmware_lx2160ardb_rev2_xspiboot.img
```

or

```
For LX2160A Rev2:
=> load scsi <device:part> $load_addr firmware_lx2160ardb_rev2_xspiboot.img
```

Note:

Use the following command if the SD card is formatted/created using Layerscape LDP flex-installer command:

```
=> load <interface> [<dev[:part]> [<addr> [<filename> [bytes [pos]]]]]
```

For example:

```
For LX2160A Rev2:
=> load mmc 0:2 $load_addr firmware_lx2160ardb_rev2_xspiboot.img
```

Use the following command if the SD card is formatted/created on a Windows PC:

```
=> fatload <interface> [<dev[:part]> [<addr> [<filename> [bytes [pos]]]]]
```

For example:

```
For LX2160A Rev2:
=> fatload mmc 0:2 $load_addr firmware_lx2160ardb_rev2_xspiboot.img
```

Use the following command if the SD card is formatted/created on a Linux PC:

```
=> ext2load <interface> [<dev[:part]> [<addr> [<filename> [bytes [pos]]]]]
```

For example:

```
For LX2160A Rev2:
=> ext2load mmc 0:2 $load_addr firmware_lx2160ardb_rev2_xspiboot.img
```

Also note that Layerscape LDP flex-installer command puts the images on the second partition, so 0:2 is used in the load command. If the SD card is formatted on Windows PC or Linux PC for single partition only, then 0 should be used instead of 0:2 in the fatload/ext2load command.

- Program the firmware to FlexSPI NOR flash 1.

```
=> sf probe 0:1 => sf erase 0 +$filesize && sf write $load_addr 0 $filesize
```

- Reset and boot the board from FlexSPI NOR flash 1. The system will automatically boot up TinyDistro (log in using root/root) or Layerscape LDP distro (log in using user/user) available on the removable storage device.

```
=> qixis_reset altbank
```

To program Layerscape LDP composite firmware image to SD/eMMC on LX2160ARDB Rev2:

1. Copy firmware on host machine to tftp server.

For SD boot:

```
For LX2160A Rev2:  
$ cp <build>/tmp/deploy/image/lx2160ardb/firmware_lx2160ardb-rev2_sdboot.img  
~/tftp/
```

For eMMC boot:

```
$ cp <build>/tmp/deploy/image/lx2160ardb/firmware_lx2160ardb-  
rev2_emmcboot.img ~/tftp/
```

2. Reboot the board from FlexSPI NOR flash 0 and stop autoboot to enter U-Boot prompt.

3. Under U-Boot, download the firmware to the reference board using one of the following options:

- Load firmware from the TFTP server

For SD boot:

```
=> tftp $load_addr firmware_lx2160ardb_rev2_sdboot.img
```

For eMMC boot:

```
=> tftp $load_addr firmware_lx2160ardb_rev2_emmcboot.img
```

Load firmware image from partition on mass storage device (SD, USB, or SATA)

For SD boot:

```
=> load mmc <dev:part> $load_addr firmware_lx2160ardb_rev2_sdboot.img
```

For example:

```
=> load mmc 0:2 $load_addr firmware_lx2160ardb_rev2_sdboot.img
```

or

```
=> load usb <dev:part> $load_addr firmware_lx2160ardb_rev2_sdboot.img
```

or

```
=> load scsi <dev:part> $load_addr firmware_lx2160ardb_rev2_sdboot.img
```

For eMMC boot:

```
=> load mmc <dev:part> $load_addr firmware_lx2160ardb_rev2_emmcboot.img
```

For example:

```
=> load mmc 0:2 $load_addr firmware_lx2160ardb_rev2_emmcboot.img
```

or

```
=> load usb <dev:part> $load_addr firmware_lx2160ardb_rev2_emmcboot.img
```

or

```
=> load scsi <dev:part> $load_addr firmware_lx2160ardb_rev2_emmcboot.img
```

Note:

Use the following command if the SD/eMMC card is formatted/created using Layerscape LDP flex-installer command:

```
=> load <interface> [<dev[:part]> [<addr> [<filename> [bytes [pos]]]]
```

For example:

```
=> load mmc 0:2 $load_addr firmware_lx2160ardb_rev2_sdboot.img
```

Use the following command if the SD card is formatted/created on a Windows PC:

```
=> fatload <interface> [<dev[:part]> [<addr> [<filename> [bytes [pos]]]]]
```

For example:

```
=> fatload mmc 0:2 $load_addr firmware_lx2160ardb_rev2_sdboot.img
```

Use the following command if the SD card is formatted/created on a Linux PC:

```
=> ext2load <interface> [<dev[:part]> [<addr> [<filename> [bytes [pos]]]]]
```

For example:

```
=> ext2load mmc 0:2 $load_addr firmware_lx2160ardb_rev2_sdboot.img
```

Also note that Layerscape LDP flex-installer command puts the images on the second partition, so 0:2 is used in the load command. If the SD card is formatted on Windows PC or Linux PC for single partition only, then 0 should be used instead of 0:2 in the fatload/ext2load command.

4. Program the firmware to SD card.

```
=> mmc dev 0; mmc write $load_addr 8 1fff8
```

5. Program the firmware to eMMC card.

```
=> mmc dev 1; mmc write $load_addr 8 1fff8
```

6. Reset and boot the board from SD card. The system will automatically boot up TinyDistro (log in using root/root) or Layerscape LDP distro (log in using user/user) available on the removable storage device.

For SD boot:

```
=> qixis_reset sd
```

For eMMC boot:

```
=> qixis_reset emmc
```

3.7.10.5 Bringing up DPAA2 network interfaces

This section describes the procedure to bring up DPAA2 network interfaces.

3.7.10.5.1 Use Linux commands to list network interfaces

The Linux distribution boots with a default DPL file which enables only one network interface on DPAA2 by default as a standard kernel Ethernet interface. Run the following standard Linux command to get a list of enabled interfaces.

```
$ ip link show
```

The default interface is named eth0 (or eth1 if a PCI Express network interface card is discovered first).

3.7.10.5.2 Use restool wrapper scripts to list DPAA2 objects

User-friendly wrapper scripts are provided in the release rootfs to assist with dynamic creation of DPNI and associated dependencies. The wrapper scripts call restool commands.

Enter the following command for a list of the available wrapper scripts:

```
$ls-main
```

The Ethernet interfaces have corresponding DPAA2 objects associated with them. Run the following restool wrapper script to list the enabled data path network interface (DPNI) associated with ni0 (or ni1).

```
$ ls-listni
dprc.1/dpni.1 (interface: eth0, end point: dpmac.2)
dprc.1/dpni.0 (interface: eth1, end point: dpmac.17)
```

This indicates that the data path network interface named dpni.0 which belongs to the DPAA2 resource container dprc.1 is present. This DPNI object corresponds to the interface named ni0 which is connected to dpmac.17.

The following command can be used to list all DPMAC objects present in the system and what they are connected to (if anything).

```
$ ls-listmac
dprc.1/dpmac.18
dprc.1/dpmac.17 (end point: dpni.0)
dprc.1/dpmac.6
dprc.1/dpmac.5
dprc.1/dpmac.4
dprc.1/dpmac.3
dprc.1/dpmac.2 (end point: dpni.1)
```

For more information on DPAA2 objects and restool, see [Section 7.3](#).

3.7.10.5.3 Add and destroy network interfaces

As mentioned in previous sections, interface ni0 corresponds to the data path network interface dpni.0 which is the only ones enabled by default DPL file. However, users may need more network interface enabled. Additional and fully featured DPNI objects can be created using restool. Once these objects are created, the configuration can be saved to a custom DPL file.

Running the command below is the simplest way of adding a DPNI object and connecting it to a DPMAC. In this example DPNI object is being connected to dpmac.4 using default options and arguments.

```
$ ls-addni dpmac.4
Created interface: ni2 (object:dpni.2, endpoint: dpmac.4)
```

Run the following command to display information about the newly created dpni.2 interface. The number of queues is shown to be 16, one queue per core for 16 cores which can receive traffic.

```
$ restool dpni info dpni.2
dpni version: 7.8
dpni id: 2
plugged state: plugged
endpoint state: 0
endpoint: dpmac.4, link is down
link status: 0 - down
mac address: ae:ff:05:f9:8e:02
dpni_attr.options value is: 0
num_queues: 16
num_rx_tcs: 1
num_tx_tcs: 1
mac_entries: 16
vlan_entries: 0
qos_entries: 0
fs_entries: 64
```

```
qos_key_size: 0
fs_key_size: 56
ingress_all_frames: 0
ingress_all_bytes: 0
ingress_multicast_frames: 0
ingress_multicast_bytes: 0
ingress_broadcast_frames: 0
ingress_broadcast_bytes: 0
egress_all_frames: 0
egress_all_bytes: 0
egress_multicast_frames: 0
egress_multicast_bytes: 0
egress_broadcast_frames: 0
egress_broadcast_bytes: 0
ingress_filtered_frames: 0
ingress_discarded_frames: 0
ingress_nobuffer_discards: 0
egress_discarded_frames: 0
egress_confirmed_frames: 0
```

If you want to connect DPMAC17 (which is connected to dpni.0 by default) to a fully-featured data path network interface, then you must first unbind and destroy the existing interface by using the commands below.

Unbind dpni.0 from the driver

```
$ echo dpni.0 > /sys/bus/fsl-mc/drivers/fsl_dpaa2_eth/unbind
```

Destroy data path network interface dpni.0

```
$ restool dpni destroy dpni.0
dpni.0 is destroyed
```

Now add back dpmac.17 using the command below. Even though dpmac.17 is again connected to dpni.0, dpni.0 now uses 16 queues for traffic distribution.

```
$ ls-addni dpmac.17
Created interface: ni0 (object:dpni.0, endpoint: dpmac.17)
```

3.7.10.5.4 Save configuration to a custom DPL file (Optional)

Once the additional DPNI objects are created, a custom DPL file can be generated using the following command. This DPL file has a *.dts format and is created on the reference board.

```
$ restool dprc generate-dpl dprc.1 > <file_name>.dts
```

The resulting *.dts file must be compiled using the dtc tool to generate a .dtb file. Copy this file to a Linux host machine or server using SCP and run the following command to convert it to a .dtb file.

```
$ dtc -I dts -O dtb <file_name>.dts -o <file_name>.dtb
```

The newly created DPL file can be flashed on to the board and used to boot to Linux.

3.7.10.5.5 Assign IP addresses to network interfaces

Static IP addresses can be assigned to network interfaces using the standard `ifconfig` or `ip` commands.

```
$ ifconfig <interface_name_in_Linux> <ip_address>
OR
$ ip address add <ip_address> dev <interface_name_in_linux>
```

Alternatively, Static IP addresses can also be assigned using netplan. Create a file called “`config.yaml`” in /`etc/netplan`. Using a text editor, add the following lines to this config file and save it.

```
network:
  version: 2
  renderer: networkd
  ethernets:
    <interface_name_in_Linux>:
      addresses:
        - <ip_address>/24
```

After saving this file, run the following command to apply this netplan configuration and then reboot the board.

```
$ sudo netplan apply
```

Once the board reboots, bring up the desired interface by using “`ifconfig <interface_name_in_Linux> up`” or “`ip link set <interface_name_in_Linux> up`” command. The interface is assigned the IP address that was entered in the “`config.yaml`” file.

Netplan can also be used for dynamic IP address assignment using DHCP. For dynamic IP assignment, replace the contents of the `config.yaml` file with the following.

```
network:
  version: 2
  renderer: networkd
  ethernets:
    <interface_name_in_Linux>:
      dhcp4: true
```

Follow the same procedure as for the static IP assignment using Netplan after saving the “`config.yaml`” file.

3.7.11 Quick start guide for LX2162AQDS

This section explains:

- [Introduction](#)
- [LX2162AQDS reference information](#)
- [LX2162AQDS recovery information](#)
- [Program Layerscape LDP composite firmware image](#)

3.7.11.1 Introduction

The following sections describe the procedure to program Layerscape LDP composite firmware for LX2162AQDS. Also, this section explains the most common use case procedure to download and deploy Layerscape LDP default images to LX2162AQDS using flex-installer. For more information, see [Section 3.2](#).

For more information on the different components of the board, and on how to configure and boot the board, see *LX2162A Reference Design Board Getting Started Guide*.

3.7.11.2 LX2162AQDS reference information

This section provides general information about LX2162AQDS which may come in handy as a reference while completing steps for deploying Layerscape LDP that follow.

3.7.11.2.1 Ethernet port map

Mezzanine Card	Port name	dpmac	Port name in U-Boot	Port name in Tiny Distro	Port name in Linux
X-M8-100G (25G, 100G)	QSFP28 Cage	dpmac.3	DPMAC3@25g-aui	eth5	eth5
		dpmac.4	DPMAC4@25g-aui	eth4	eth4
		dpmac.5	DPMAC5@25g-aui	eth3	eth3
		dpmac.6	DPMAC6@25g-aui	eth2	eth2
X-M11-USXGMII (10G)	Port 0	dpmac.3	DPMAC3@xgmii	eth5	eth5
	Port 1	dpmac.4	DPMAC4@xgmii	eth4	eth4
	Port 2	dpmac.5	DPMAC5@xgmii	eth3	eth3
	Port 3	dpmac.6	DPMAC6@xgmii	eth2	eth2
X-M12-XFI (10G)	SFP+ 1	dpmac.3	NA	eth5	eth5
	SFP+ 2	dpmac.4	NA	eth4	eth4
	SFP+ 3	dpmac.5	NA	eth3	eth3
	SFP+ 4	dpmac.6	NA	eth2	eth2
NA (1G)	RGMI1_BOTTOM	dpmac.17	DPMAC17@rgmii-id	eth1	eth1
NA (1G)	RGMI2_TOP	dpmac.18	DPMAC18@rgmii-id	eth0	eth0

Note:

- Assume that there is no PCIe NIC connected.
- Interface name is not fixed in LX2162AQDS, depending upon which interface is active, name will be assigned. Interface names can be checked using `ls-listni` command.

```

root@TinyDistro:~# ls-listni
dprc.1/dpni.5 (interface: eth1, end point: dpmac.18)
dprc.1/dpni.4 (interface: eth2, end point: dpmac.17)
dprc.1/dpni.3 (interface: eth3, end point: dpmac.6)
dprc.1/dpni.2 (interface: eth4, end point: dpmac.5)
dprc.1/dpni.1 (interface: eth5, end point: dpmac.4)
dprc.1/dpni.0 (interface: eth6, end point: dpmac.3)
    
```

3.7.11.2.2 System memory map

For LX2162A system map, see LX2162A Reference Manual.

LX2162A RM is available only under a non-disclosure agreement (NDA). To request access, contact your local NXP field applications engineer (FAE) or sales representative.

3.7.11.2.3 Supported boot options

LX2162AQDS supports the following boot options:

- FlexSPI NOR flash (referred to as "XSPI" or "XSPI flash" in the following sections). CS refers to Chip Select.
- eMMC (SDHC2)
- SD card (SDHC1)

3.7.11.2.4 Onboard switch options

The board has user selectable switches for evaluating different boot options for the LX2162A device as given in the table below ('0' is OFF, '1' is ON).

SW6[6:8]	XSPI device map	SW_XMAP[2:0]: <ul style="list-style-type: none"> • 000: Boot the board from XSPI device 0 (default setting) • 001: Boot the board from XSPI device 1 • 010: Boot the board from QSPI emulator
SW1[5:8]	RCW location CFG_RCW_SRC[3:0]	SW_RCWSRC[3:0] <ul style="list-style-type: none"> • 1000: SDHC1: SD card • 1001: SDHC2: eMMC • 1010: I2C (extended addressing) • 1100: XSPI1A: XSPI serial NAND 2 kB pages • 1101: XSPI1A: XSPI serial NAND 4 KB pages • 1111: XSPI1A: XSPI serial NOR 24-bit addressing (default setting) • 0xxx: Hardcoded RCW

In addition to the above switch settings, make sure that the following jumper settings are correct.

Table 16. Default jumper settings

Jumper identifier	Name	Type	Description
J3	FORCE_ATX_ON	1x2-pin header	<ul style="list-style-type: none"> • Open: For Normal operation (default setting) • Short: To force ATX-PS ON at logic low
J8	VDD_LP_BAT	1x2-pin header	<ul style="list-style-type: none"> • Open: VDD_LP_BAT disabled (default setting) • Short: VDD_LP_BAT enabled
J9	TA_BB_TMP_DET	1x2-pin header	<ul style="list-style-type: none"> • Open: Disconnected (default setting) • Short: Connected
J13	HOTRST	1x2-pin header	<ul style="list-style-type: none"> • Open: Power-on FPGA reset (default setting) • Short: Manual FPGA reset
J34	PROG_MTR	1x2-pin header	<ul style="list-style-type: none"> • Open: LX2162A PROG_MTR pin powered down (default setting)

Table 16. Default jumper settings...continued

Jumper identifier	Name	Type	Description
			<ul style="list-style-type: none"> • Short: Connect 1.8 V to LX2162A PROG_MTR pin
J35	PROG_SFP	1x2-pin header	<ul style="list-style-type: none"> • Open: LX2162A PROG_SFP pin powered down (default setting) • Short: Connect 1.8 V to LX2162A PROG_SFP pin
J37	FA_VDD	1x2-pin header	<ul style="list-style-type: none"> • Open: FA1_CVL = 0 V (default setting) • Short: FA1_CVL = VDD
J38	USB1_ID	1x2-pin header	<ul style="list-style-type: none"> • Open: Device mode • Short: Host mode (default setting)
J58	UART_LOOPBACK	2x3-pin header	<ul style="list-style-type: none"> • Short pins 1-3, 2-4: Self loopback for UART3 and UART4 • Short pins 1-2, 3-4: Cross connection between UART3 and UART4
J135	6901_MODE_SEL	1x2-pin header	<ul style="list-style-type: none"> • Open: 5P49V6901 is configured by I2C programming (default setting) • Short: Reserved
J136	FA_VDDH	1x2-pin header	<ul style="list-style-type: none"> • Open: FA2_DVL = 0 V (default setting) • Short: FA2_DVL = OVDD

3.7.11.2.5 FlexSPI NOR Flash Chip-select

FlexSPI NOR flash is a simple and convenient destination for deploying images so it is frequently used.

The benefit of this feature is that it allows more than one set of images to be independently deployed to the one NOR flash. It is helpful during development because you can use the U-Boot image in one chip-select to program an image set into a different chip-select. If the new images are flawed, the old images are still functional to let you deploy corrected images.

The logic on the board usually allows the NOR flash to be accessed from different CS (chip select) option. Each CS is connected to dedicated NOR flash devices, those CS are called, DEV#0 and DEV#1. U-Boot prints which CS is loaded from. The output looks like following:

```

U-Boot 2022.04+fs1+g181859317b (Nov 15 2022 - 06:28:05 +0000)
SoC: LX2162ACE Rev2.0 (0x87360820)
Clock Configuration:
  CPU0 (A72):2000 MHz  CPU1 (A72):2000 MHz  CPU2 (A72):2000 MHz
  CPU3 (A72):2000 MHz  CPU4 (A72):2000 MHz  CPU5 (A72):2000 MHz
  CPU6 (A72):2000 MHz  CPU7 (A72):2000 MHz  CPU8 (A72):2000 MHz
  CPU9 (A72):2000 MHz  CPU10 (A72):2000 MHz  CPU11 (A72):2000 MHz
  CPU12 (A72):2000 MHz  CPU13 (A72):2000 MHz  CPU14 (A72):2000 MHz
  CPU15 (A72):2000 MHz
  Bus:      650 MHz  DDR:      2900 MT/s
Reset Configuration Word (RCW):
00000000: 50777734 20500050 00000000 00000000
00000010: 00000000 0c010000 00000000 00000000
00000020: 38c001a0 00002580 00000000 00000096
00000030: 00000000 00000000 00000000 00000000
00000040: 00000000 00000000 00000000 00000000
00000050: 00000000 00000000 00000000 00000000
00000060: 00000000 00000000 00027000 00000000
00000070: 00510036 00050003
    
```



```
Model: NXP Layerscape LX2160AQDS Board (DTS 17.x)
Board: LX2162ACE Rev2.0-QDS, Board version: A, boot from SD
FPGA: v1 (LX2162AQDS_2020_0609_0802), build 265 on Tue Jun 09 13:02:54 2020
```

Boot option switching can be performed in U-Boot using the following statements.

- Switch to FlexSPI NOR flash 0 (default):

```
=> qixis_reset
```

- Switch to FlexSPI NOR flash 1:

```
=> qixis_reset altbank
```

- Switch to SD:

```
=> qixis_reset sd
```

- Switch to eMMC:

```
=> qixis_reset emmc
```

3.7.11.2.6 U-Boot Environment Variables

For more information on U-Boot distro boot command, see [Section 4.3.2](#).

DPAA2-specific Environment Variables

- **mcboottimeout**: Defines Management Complex boot timeout in milliseconds. If this variable is not defined the compile-time value, `CONFIG_SYS_LS_MC_BOOT_TIMEOUT_MS` will be the default. Normally, users do not need to set this variable because the default is acceptable.
- **mcmemsize**: Defines amount of system DDR to be use by the Management Complex. If this variable is not defined, the compile-time value `CONFIG_SYS_LS_MC_DRAM_BLOCK_MIN_SIZE` will be the default. Normally, users do not need to set this variable because the default is acceptable.
- **mcinitcmd**: Contains commands to load and start the Management Complex automatically before the U-Boot count down to boot starts. If this variable is defined, its contents are run. The default value assumes that the Management Complex (MC) firmware and Data Path Control file are stored in FlexSPI flash at fixed addresses. The default value for FlexSPI boot is `sf probe 0:0 && sf read 0x80640000 0x640000 0x80000 && env exists secureboot && esbc_validate 0x80640000 && esbc_validate 0x80680000; sf read 0x80a00000 0xa00000 0x300000 && sf read 0x80e00000 0xe00000 0x100000; fsl_mc start mc 0x80a00000 0x80e00000l_mc start mc 0x20a00000 0x20e00000`. Users may change this variable as needed to load the MC files from sources other than FlexSPI into DDR and then start the MC using the `fsl_mc` command. For example, the files may be on a disk drive.

Environment variables that are not specific to DPAA2

bootcmd: Contains commands that are automatically executed when the U-Boot "boot" command is run. This happens automatically when the user does not interrupt U-Boot initial count down. In normal usage, `bootcmd` should contain the command to apply the Management Complex Data Path Layout (DPL) file because this must be done before booting Linux. The default value of `bootcmd` assumes that the DPL file is stored in FlexSPI flash at a fixed address. The default is `sf probe 0:0; sf read 0x806c0000 0x6c0000 0x40000; env exists mcinitcmd && env exists secureboot && esbc_validate 0x806c0000; sf read 0x80d00000 0xd00000 0x100000; env exists mcinitcmd && fsl_mc lazyapply dpl 0x80d00000; run distro_bootcmd;run xspi_bootcmd; env exists secureboot && esbc_halt`

3.7.11.2.7 SDHC adapter cards configuration

The following tables show the RCW, QIXIS FPGA register details for various SDHC/eMMC adapters used with LX2162AQDS.

Table 17. SDHC1 CONTROLLER#1

Adapter			Board MUX		RCW					SW9 [8]	HW Changes	Remark
Agile P/N	Agile Name	CARD_ID	BRD CFG5	BRD CFG11	IIC2_PMUX (RCW [354-352])	IIC5_PMUX (RCW [363-361])	SDHC1_BASE_PMUX (RCW [378-376])	SDHC1_DIR_PMUX (RCW [381-379])	SDHC1_DS_PMUX (RCW [839-838])			
31421	EMMC-51-ADAP	0b000	0x20	0x0	0b000	0bxxx	0b100 (8-bit)	0b100 (8-bit)	0b00	0		On adapter, put shunt across pins 2 and 3 on header J1
28074	EMMC-45-ADAP	0b001	0x20	0x0	0b000	0bxxx	0b000 or 0b011 (4-bit) / 0b100 (8-bit)	0bxxx (4-bit) / 0b100(8-bit)	0bxx	0		On adapter, put shunt across pins 2 and 3 on header J1
28056	SD-MMC-ADAPTOR	0b010	0x60	0x0	0b110	0bxxx	0b000 or 0b011 (4-bit)	0bxxx (4-bit)	0bxx	1		
28075	EMMC-44-ADAP	0b011	0x20	0x0	0b000	0b010	0b000 or 0b011 (4-bit)	0bxxx (4-bit)	0bxx	0	Unmount R874 and mount R261	On adapter, put shunt across pins 2 and 3 on header J1
29730	EMMC-50-ADAP	0b100	0x20	0x0	0b000	0bxxx	0b100 (8-bit)	0b100 (8-bit)	0b00	0		On adapter, put shunt across pins 2 and

Table 17. SDHC1 CONTROLLER#1...continued

Adapter			Board MUX		RCW					SW9 [8]	HW Changes	Remark
Agile P/N	Agile Name	CARD_ID	BRD_CFG5	BRD_CFG11	IIC2_PMUX (RCW [354-352])	IIC5_PMUX (RCW [363-361])	SDHC1_BASE_PMUX (RCW [378-376])	SDHC1_DIR_PMUX (RCW [381-379])	SDHC1_DS_PMUX (RCW [839-838])			
												3 on header J1
28073	MMC-ADAPTOR	0b101	0x60	0x0	0b110	0bxxx	0b000 or 0b011 (4-bit) / 0b100 (8-bit)	0bxxx (4-bit) / 0b100(8-bit)	0bxx	0		
28072	SD-2-3-ADAPTOR	0b110	0x60	0x30	0b110	0bxxx	0b000 (4-bit)	0bxxx (4-bit)	0bxx	1		

Table 18. SDHC1 CONTROLLER#2

Adapter			Board MUX	RCW			HW Changes	Remark
Agile P/N	Agile Name	CARD_ID	BRDCFG13	IIC6_PMUX (RCW[366-364])	SDHC2_BASE_PMUX (RCW[389-387])	SDHC2_DAT74_PMUX (RCW[386-384])		
31421	EMMC-51-ADAP	0b000	0x0	0bxxx	0b000	0b000		On adapter, put shunt across pins 2 and 3 on header J1
28074	EMMC-45-ADAP	0b001	0x0	0bxxx	0b000	0b000		On adapter, put shunt across pins 2 and 3 on header J1
28075	EMMC-44-ADAP	0b011	0x0	0b010	0b000	0b000	Unmount R875 and mount R260	On adapter, put shunt across pins 2 and 3 on header J1
29730	EMMC-50-ADAP	0b100	0x0	0bxxx	0b000	0b000		On adapter, put shunt across pins 2 and 3 on header J1
28073	MMC-ADAPTOR	0b101	0x0	0bxxx	0b000	0b000		

The following table shows the SDHC adapter cards supported by default software.

	SDHC adapter card	Highest speed mode
eSDHC1	SD card revision 2.0/3.0	UHS-I
eSDHC2	eMMC card revision 5.1	HS400
	eMMC card revision 4.5	HS200
	eMMC card revision 4.4	High speed
	eMMC card revision 5.0	HS400
	MMC card and legacy (3.3V) SD card	Default speed (Adapter limits to use only MMC and legacy SD card)

Other SDHC adapter cards and software configuration

The other SDHC adapter cards for eSDHC1 could work at 4-bit high-speed mode with default software (except SD/MMC card needing configuration to work). To get the best r/w performance, refer the following table for software configuration.

eSDHC1

SDHC adapter card	RCW changes	Device tree node changes	Highest speed mode
eMMC card revision 5.1	SDHC1_DIR_PMUX=4	mmc-hs200-1_8v; mmc-hs400-1_8v; bus-width = <8>;	HS400
eMMC card revision 4.5	For 8-bit width SDHC1_DIR_PMUX=4	mmc-hs200-1_8v; For 8-bit width bus-width = <8>;	HS200
SD/MMC card	For 8-bit width SDHC1_DIR_PMUX=4	Remove properties sd-uhs-sdr104; sd-uhs-sdr50; sd-uhs-sdr25; sd-uhs-sdr12; For 8-bit width bus-width = <8>;	High speed
eMMC card revision 4.4	For 8-bit width SDHC1_DIR_PMUX=4	For 8-bit width bus-width = <8>;	High speed
eMMC card revision 5.0	SDHC1_DIR_PMUX=4	mmc-hs200-1_8v; mmc-hs400-1_8v; bus-width = <8>;	HS400
MMC card and legacy (3.3V) SD card	For 8-bit width SDHC1_DIR_PMUX=4	For 8-bit width bus-width = <8>;	Default speed (Adapter limits to use only MMC and legacy SD card)

3.7.11.3 LX2162AQDS recovery information

If LX2162AQDS board fails to boot from XSPI NOR bank #0, you can recover XSPI NOR bank #0 from XSPI NOR bank #1 by following these steps:

1. Download the prebuilt composite firmware image:

```
$ cp <build>/tmp/deploy/image/ls1043ardb/firmware_lx2162aqds_xspiboot.img ~/tftp
```

2. Boot LX2162AQDS from XSPI NOR bank #1 with the following switch setting:

- SW1[1:8] = 00001111
- SW6[6:8] = 001

3. Program XSPI NOR bank #0 from XSPI NOR bank #1:

```
=> i2c mw 66 50 00; sf probe 0:0
=> tftp $load_addr firmware_lx2162aqds_xspiboot.img
=> sf erase 0x0 +$filesize && sf write $load_addr 0x0 $filesize
```

4. Change switch setting back to default:

- SW1[1:8] = 00001111
- SW6[6:8] = 000

5. Reset the board, board should boot from XSPI NOR bank #0:

```
=> reset
```

Note: If LX2162AQDS fails to boot from both the FlexSPI NOR flash banks, you need to recover the board using **CodeWarrior for LS Series, Arm v8 ISA**. For steps to recover the board using the CodeWarrior tool, see the Board Recover section in [ARM V8 ISA, Targeting Manual](#).

3.7.11.4 Program Layerscape LDP composite firmware image

This topic explains steps to program FlexSPI NOR firmware image to FlexSPI NOR flash on LX2162AQDS and SD/eMMC firmware image to SD/eMMC card on LX2162AQDS.

To program Layerscape LDP composite firmware image to FlexSPI NOR flash on LX2162AQDS:

1. Copy firmware on host machine to TFTP server.

```
$ cp <build>/tmp/deploy/image/lx2162aqds/firmware_lx2162aqds_qspiboot.img ~/tftp/
```

2. Reboot the board from FlexSPI NOR flash 0 and stop autoboot to enter U-Boot prompt.
3. Under U-Boot, download the firmware to the reference board using one of the following options:

- Load firmware from the TFTP server

```
=> tftp $load_addr firmware_lx2162aqds_xspiboot.img
```

- Load firmware image from partition on mass storage device (SD, USB, or SATA)

```
=> load mmc <device:part> $load_addr firmware_lx2162aqds_xspiboot.img
```

For example:

```
=> load mmc 0:2 $load_addr firmware_lx2162aqds_xspiboot.img
```

or

```
=> load usb <device:part> $load_addr firmware_lx2162aqds_xspiboot.img
```

or

```
=> load scsi <device:part> $load_addr firmware_lx2162aqds_xspiboot.img
```

Note:

Use the following command if the SD card is formatted/created using Layerscape LDP flex-installer command:

```
=> load <interface> [<dev[:part]>] [<addr> [<filename> [bytes [pos]]]]
```

For example:

```
=> load mmc 0:2 $load_addr firmware_lx2162aqds_xspiboot.img
```

Use the following command if the SD card is formatted/created on a Windows PC:

```
=> fatload <interface> [<dev[:part]>] [<addr> [<filename> [bytes [pos]]]]
```

For example:

```
=> fatload mmc 0:2 $load_addr firmware_lx2162aqds_xspiboot.img
```

Use the following command if the SD card is formatted/created on a Linux PC:

```
=> ext2load <interface> [<dev[:part]>] [<addr> [<filename> [bytes [pos]]]]
```

For example:

```
=> ext2load mmc 0:2 $load_addr firmware_lx2162aqds_xspiboot.img
```

Also note that Layerscape LDP flex-installer command puts the images on the second partition, so 0:2 is used in the `load` command. If the SD card is formatted on Windows PC or Linux PC for single partition only, then 0 should be used instead of 0:2 in the `fatload/ext2load` command.

4. Program the firmware to FlexSPI NOR flash 1.

```
=> i2c mw 66 50 20; sf probe 0:0 => sf erase 0 +$filesize && sf write $load_addr 0 $filesize
```

5. Reset and boot the board from FlexSPI NOR flash 1. The system will automatically boot up TinyDistro (log in using root/root) or Layerscape LDP distro (log in using user/user) available on the removable storage device.

```
=> qixis_reset altbank
```

To program Layerscape LDP composite firmware image to SD/eMMC on LX2162AQDS:

1. Copy firmware on host machine to tftp server.

For SD boot:

```
$ cp <build>/tmp/deploy/image/lx2162aqds/firmware_llx2162aqds_sdboot.img ~/tftp/
```

For eMMC boot:

```
$ cp <build>/tmp/deploy/image/lx2162aqds/firmware_llx2162aqds_emmcboot.img ~/tftp/
```

2. Reboot the board from FlexSPI NOR flash 0 and stop autoboot to enter U-Boot prompt.

3. Under U-Boot, download the firmware to the reference board using one of the following options:

- Load firmware from the TFTP server

For SD boot:

```
=> tftp $load_addr firmware_lx2162aqds_sdboot.img
```

For eMMC boot:

```
=> tftp $load_addr firmware_lx2162aqds_emmcboot.img
```

- Load firmware image from partition on mass storage device (SD, USB, or SATA)

For SD boot:

```
=> load mmc <device:part> $load_addr firmware_lx2162aqds_sdboot.img
```

For example:

```
=> load mmc 0:2 $load_addr firmware_lx2162aqds_sdboot.img
```

or

```
=> load usb <device:part> $load_addr firmware_lx2162aqds_sdboot.img
```

```
=> load scsi <device:part> $load_addr firmware_lx2162aqds_sdboot.img
```

For eMMC boot:

```
=> load mmc <device:part> $load_addr firmware_lx2162aqds_emmcboot.img
```

For example:

```
=> load mmc 0:2 $load_addr firmware_lx2162aqds_emmcboot.img
```

or

```
=> load usb <device:part> $load_addr firmware_lx2162aqds_emmcboot.img
```

or

```
=> load scsi <device:part> $load_addr firmware_lx2162aqd_emmcboot.img
```

Note:

Use the following command if the SD/eMMC card is formatted/created using Layerscape LDP flex-installer command:

```
=> load <interface> [<dev[:part]>] [<addr> [<filename> [bytes [pos]]]]
```

For example:

```
=> load mmc 0:2 $load_addr firmware_lx2162aqds_sdboot.img
```

Use the following command if the SD card is formatted/created on a Windows PC:

```
=> fatload <interface> [<dev[:part]>] [<addr> [<filename> [bytes [pos]]]]
```

For example:

```
=> fatload mmc 0:2 $load_addr firmware_lx2162aqds_sdboot.img
```

Use the following command if the SD card is formatted/created on a Linux PC:

```
=> ext2load <interface> [<dev[:part]>] [<addr> [<filename> [bytes [pos]]]]
```

For example:

```
=> ext2load mmc 0:2 $load_addr firmware_lx2162aqds_sdboot.img
```

Also note that Layerscape LDP flex-installer command puts the images on the second partition, so 0:2 is used in the load command. If the SD card is formatted on Windows PC or Linux PC for single partition only, then 0 should be used instead of 0:2 in the fatload/ext2load command.

4. Program the firmware to SD card.

```
=> mmc dev 0; mmc write $load_addr 8 1fff8
```

5. Program the firmware to eMMC card.

```
=> mmc dev 1; mmc write $load_addr 8 1fff8
```

- Reset and boot the board from SD card. The system will automatically boot up TinyDistro (log in using root/root) or Layerscape LDP distro (log in using user/user) available on the removable storage device.

For SD boot:

```
=> qixis_reset sd
```

For eMMC boot:

```
=> qixis_reset emmc
```

3.8 Layerscape LDP memory layout and userland

3.8.1 Flash layout

The following table shows the memory layout of various firmwares stored in NOR/NAND/QSPI/XSPI flash device or SD card on all Layerscape Reference Design Boards.

Note: When the board boots from NOR flash, the NOR bank from which the board boots is considered as the "current bank" and the other bank is considered as the "alternate bank". For example, if LS1043ARDB boots from NOR bank 4, to update an image on NOR bank 0, you need to use the "alternate bank" address range, 0x64000000 - 0x64F00000.

Table 19. Unified 64 MiB memory layout of NOR/QSPI/XSPI/NAND/SD media for composite firmware on all Layerscape platforms

Firmware Definition	MaxSize	Flash Offset (QSPI/XSPI/NAND flash)	Absolute address (NOR current bank on LS1043 ARDB, TWR-LS1021A)	Absolute address (NOR alternate bank on LS1043 ARDB, TWR-LS1021A)	Absolute address (NOR current bank on LS2088 ARDB)	Absolute address (NOR alternate bank on LS2088 ARDB)	SD start block no.
RCW + PBI + BL2 (bl2 <boot_mode>.pbi) ^[1]	1MiB ^[2]	0x00000000	0x60000000	0x64000000	0x58000000	0x58400000	0x00008
TF-A FIP image (BL31 + TEE (BL32) + U-Boot/UEFI (BI33)) (fip.bin) ^[3]	4MiB	0x00100000	0x60100000	0x64100000	0x58010000	0x58410000	0x00800
Boot firmware environment	1MiB	0x00500000	0x60500000	0x64500000	0x58050000	0x58450000	0x02800
Secure boot headers	128KiB	0x00600000	0x60600000	0x64600000	0x58060000	0x58460000	0x03000
DDR PHY FW or reserved	512KiB	0x00800000	0x60800000	0x64800000	0x58080000	0x58480000	0x04000
Fuse provisioning header	512KiB	0x00880000	0x60880000	0x64880000	0x58088000	0x58488000	0x04400
DPAA1 FMan microcode	256KiB	0x00900000	0x60900000	0x64900000	0x58090000	0x58490000	0x04800
QE firmware or DP firmware	256KiB	0x00940000	0x60940000	0x64940000	0x58094000	0x58494000	0x04A00
Ethernet PHY firmware	256KiB	0x00980000	0x60980000	0x64980000	0x58098000	0x58498000	0x04C00

Table 19. Unified 64 MiB memory layout of NOR/QSPI/XSPI/NAND/SD media for composite firmware on all Layerscape platforms...continued

Firmware Definition		MaxSize	Flash Offset (QSPI/XSPI/NAND flash)	Absolute address (NOR current bank on LS1043 ARDB, TWR-LS1021A)	Absolute address (NOR alternate bank on LS1043 ARDB, TWR-LS1021A)	Absolute address (NOR current bank on LS2088 ARDB)	Absolute address (NOR alternate bank on LS2088 ARDB)	SD start block no.
Script for flashing image		256KiB	0x009C0000	0x609C0000	0x649C0000	0x5809C0000	0x5849C0000	0x04E00
DPAA2-MC or PFE firmware		3MiB	0x00A00000	0x60A00000	0x64A00000	0x580A00000	0x584A00000	0x05000
DPAA2 DPL		1MiB	0x00D00000	0x60D00000	0x64D00000	0x580D00000	0x584D00000	0x06800
DPAA2 DPC		1MiB	0x00E00000	0x60E00000	0x64E00000	0x580E00000	0x584E00000	0x07000
Device tree (needed by UEFI)		1MiB	0x00F00000	0x60F00000	0x64F00000	0x580F00000	0x584F00000	0x07800
Kernel	kernel-fsl-<board>.itb Ramdisk rfs	16MiB	0x01000000	0x61000000	0x65000000	0x581000000	0x585000000	0x08000
		32MiB	0x02000000	0x62000000	0x66000000	0x582000000	0x586000000	0x10000

- [1] For any update in the BL2 source code or RCW binary, the `bl2_<boot_mode>.pbl` binary needs to be [recompiled](#).
- [2] For Flash device (non-SD boot), the MaxSize is 1 MB. For SD/eMMC device (SD boot), the MaxSize is 1 MB-4 KB=1020 KB
- [3] For any update in the BL31, BL32, or BL33 binaries, the `fip.bin` binary needs to be [recompiled](#).

Layerscape LDP composite firmware_<machine>_<bootloader>_<boottype>.img contains RCW, ATF, U-Boot/UEFI, secure boot headers, Ethernet PHY firmware, device tree , kernel and tiny rootfs, shown in the table above, the kernel-fsl-<board>.itb consists of kernel image, device tree of multiple reference boards, rootfs_<lsdk_yocto_tiny_arm64.cpio.gz>.

Table 20. 2MB memory layout of QSPI/SD media on Layerscape platform LS1012AFRWY

Firmware definition	Max size	Location	SD Start Block No.
RCW+PBI+BL2 (bl2_<boot_mode>.pbl)	64 KB	0x0000_0000 - 0x0000_FFFF	0x00008
Reserved	64 KB	0x0001_0000 - 0x0001_FFFF	0x00080
PFE firmware	256 KB	0x0002_0000 - 0x0005_FFFF	0x00100
FIP (BL31+BL32+BL33)	1 MB	0x0006_0000 - 0x000D_FFFF	0x00300
Environment variables	64 KB	0x001D_0000 - 0x001D_FFFF	0x00E80
Reserved	64 KB	0x001E_0000 - 0x001E_FFFF	0x00F00
Secureboot headers	64 KB	0x001F_0000 - 0x001F_FFFF	0x00F80

Generally, do not change the default offset of the 1st image (RCW + PBI + BL2) and the second image (TF-A FIP image) to avoid causing the target board bricked, you can change the default offset of other images to use your own layout by modifying the offset of various firmware by editing <bitbake-dir>/configs/board/common/memorylayout.cfg.

3.8.2 Storage layout on SD/USB/SATA for Layerscape LDP images deployment

With command 'flex-installer -i auto -m <machine> -d <device>', the Layerscape LDP distro can be installed into an SD/USB/SATA storage disk which should have at least 16 GB of memory space by default as per the following layout.

Table 21. The default layout of SD/USB/SATA storage device for Layerscape LDP distro images deployment

Region 1 (RAW) 4KiB	Region 2 (RAW, only SD Boot) 64 MiB	Region 3 (Partition-1 FAT/EXT4) 128 MiB	Region 4 (Partition-2 EXT4) 2 GiB Boot Partition	Region 5 (Partition-3 EXT4) 5 GiB Backup Partition	Region 6 (Partition-4 EXT4) Primary RFS in rest of disk
MBR/GPT	<ul style="list-style-type: none"> • RCW • U-Boot or UEFI • TF-A firmware • QE/uQE firmware • FMan or MC firmware • DPL and DPC firmware • DTB • kernel-fsl-<board>.itb 	<ul style="list-style-type: none"> • BOOTAA64.EFI, grub.cfg • or for other uses 	<ul style="list-style-type: none"> • kernel • dtb • distro bootscripts • secure boot headers • composite firmware • kernel-fsl-<board>.itb • rootfs 	Backup partition or Second distro	Layerscape LDP Userland (Default)

The default layout of target disk is done as per default "-p 4P=128M:2G:5G:-1", if different layout is needed, you can specify '-p' option in flex-installer command, for example, *flex-installer -i auto -p 4P=50M:2G:100M:-1 -m ls1046ardb -d /dev/mmcblk0*. Once you changed the default partitions, it needs to set U-Boot env variable *devpart_boot* for boot partition (*devpart_boot=2* by default) and *devpart_root* for rootfs partition (*devpart_root=4* by default in distro bootscript <board>_boot.scr), for example, you can run 'setenv devpart_root 3; saveenv; boot' in U-Boot prompt to boot the target distro from partition 3 instead from the default partition 4.

If you want to change the default bootargs for kernel, you can do 'setenv othbootargs <your_new_settings>' in U-Boot prompt to append extra bootargs option, then do 'saveenv; boot' to boot distro.

3.8.3 Layerscape LDP userland

Layerscape LDP supports different types of distro userland in various scales to adapt to a variety of use cases, Linux distro-based rich OS userland and Yocto-based tiny userland are supported by default.

The following three flavors of Linux distro-based userland is supported:

- *Layerscape LDP-based main userland*: Integrates abundant networking packages from upstream main repo and NXP's custom packages, applicable to all Layerscape platforms (prebuilt binary is downloadable).
- *Layerscape LDP-based desktop userland*: Integrates custom GNOME desktop packages and NXP's custom packages with GPU acceleration libraries for multimedia applications, applicable to LS1028A and i.MX platforms. no prebuilt binary is distributed, users can locally generate it by Yocto bitbake, GNOME desktop automatically launches by default, Weston doesn't automatically launch during booting up, users can manually launch it if needed.
- *Layerscape LDP-based lite userland*: Integrates Linux distro base packages for smaller footprint (prebuilt binary is downloadable).

To boot large distro from default storage device under U-Boot:

```
=> boot
```

To boot Layerscape LDP userland from the specified USB/SD/SATA storage device under U-Boot:

```
=> run bootcmd_usb0
or
=> run bootcmd_mmcl
or
=> run bootcmd_scsi0
```

To boot TinyLinux under U-Boot:

```
=> run sd_bootcmd
or
=> run nor_bootcmd
or
=> run qspi_bootcmd
or
=> run xspi_bootcmd
```

3.8.4 TinyDistro

The default TinyDistro `kernel-fsl-<board>.itb` consists of `kernel`, `dtb`, and `initramfs` (`rootfs_tiny_<arch>.cpio.gz`). U-Boot loads it from flash device (or SD card) to RAM and boot it up from RAM. As the size of kernel modules is too large to install it in the tiny rootfs, there is no kernel modules in the TinyLinux by default. You can install `boot_LS_<arch>_lts_<version>.tgz` (in which kernel and modules are deployed for reuse by various distros) in SD card or USB stick by flex-installer, boot the TinyLinux and then run the command `mount-modules` to automatically mount the boot partition to `/boot directory and symlink /lib/modules to /boot/modules`. Now the kernel modules are available, that is run "modprobe flexcan" to load the flexcan module.

The default Layerscape LDP main userland is an Linux distro-based 22.04 hybrid userland with NXP's packages/components and system configurations. You can choose the appropriate distro userland according to demand.

The various userlands are shown in the following table:

3.8.5 Various distro userland details

Layerscape LDP Userland	Userland tarball Name	Size	Commands for build	Description
Layerscape LDP main userland	<code>ls-image-main-<machine>.tar.gz</code>	~760M	<code>\$ bitbake ls-image-main</code>	Include Layerscape LDP main packages and full NXP's networking and security packages (without graphics packages) for Layerscape platforms.
Layerscape LDP lite userland	<code>ls-image-lite-<machine>.tar.gz</code>	~160M	<code>\$ bitbake ls-image-lite</code>	Include Layerscape LDP base packages and part of NXP's packages (restool, tsntool, fmc, net-tools, flex-installer, ccsr, and so on).
Layerscape LDP desktop userland	<code>ls-image-desktop-<machine>.tar.gz</code>	~1.1G	<code>\$ bitbake ls-image-desktop</code>	Include Layerscape LDP GNOME desktop packages and part of NXP's graphics packages, applicable to platforms integrating GPU (for example, LS1028A and i.MX).

Layerscape LDP Userland	Userland tarball Name	Size	Commands for build	Description
Yocto-based tiny userland	fsl-image-mfgtool-<machine>.tar.gz	~20M	\$ bitbake fsl-image-mfgtool	Include Yocto-based basic packages and part of NXP's packages (restool, tsntool, fmc, net-tools, flex-installer, ccsr, and so on).

To build specific userland from source, see the sections "How to build Layerscape LDP with Yocto bitbake", "How to build various userland with custom packages".

All the apt packages in the prebuilt Layerscape LDP main userland are from LDP main repository which are legally reviewed as trusted origin by NXP. You can install more apt packages by `sudo apt install <package-name>` command by yourself. NXP will not undertake legal liability if you publically distribute distro which contains packages from untrusted origin, such as gstreamer1.0, python, and so on located at `/usr/share`.

4 Bootloaders

4.1 General boot flow

4.1.1 NXP SoC Booting Principles

The high-level boot flow of an ARMv8-A SoC is:

- SoC comes out of reset and reads RCW/PBL image from a boot source, such as a NOR flash, SD card, or eMMC flash. The RCW/PBL image contains configuration bits that control:
 - Pin muxing and the protocol selected for SerDes pins.
 - Clock parameters and PLL multipliers.
 - Device containing the first software (not in an internal BootROM) to run.
- Code in the internal BootROM starts running and configures low-level aspects of the SoC.
- The BootROM must then load the first external software ([TF-A binaries](#)) to run from a boot device, such as NOR flash or SD/eMMC.
 - The BootROM transfers control to BL2.
 - BL2 loads and starts bootloader from NOR flash or SD/eMMC.

Note: For more details about TF-A, see [Section 4.2](#).

- Usually, the bootloader must also load peripheral firmware, firmware required to make peripherals, such as Ethernet controllers work. The details of this differ from SoC to SoC.
- When the bootloader finishes initialization, its job is to locate a Linux kernel image and a Linux device tree image. The device tree is a description of the board and SoC hardware that Linux uses, for example, to know which peripherals are available for use and to associate drivers with them. Often, bootloaders do some on-the-fly "fixups" to the device tree to pass information to Linux.

Note: For example, if you want to use PCIe device such as INTEL e1000 card in U-Boot or Linux, you can use command "pci enum" at the U-Boot prompt.

- In summary, the bootloader reads kernel and device tree images from memory or mass storage device. Because bootloaders have many drivers, there are many possible choices for the location of the images.
 - NOR flash (serial QSPI or parallel)
 - SD card/eMMC flash
 - USB mass storage devices of all types
 - SATA drives of all types
 - Ethernet, normally via TFTP

7. After the bootloader loads the kernel and device tree and does fixups, it puts kernel boot parameters and the device tree into DDR where the kernel can find them and passes control to the kernel. One of the key kernel parameters is "root=". It tells the Linux kernel what device contains the user space file set (userland). U-Boot stores kernel parameters in environment variable `bootargs`.
8. Because the Linux kernel supports even more device drivers than bootloaders support, the array of choices for the userland device is even larger.
 - NOR flash (serial QSPI or parallel)
 - SD card/eMMC flash
 - USB mass storage devices of all types.
 - SATA drives of all types.
 - Ethernet, normally via NFS.
 - RAM disks (which the bootloader populates)
 - Third-party PCIe-based mass storage devices and controllers
 - a. SATA controllers
 - b. SAS controllers
 - c. Fibre Channel Host Bus Adaptors
 - d. NVMe cards
 - e. And more.

Once the kernel is up, it starts userland, starting with `systemd`. The startup process is part of the Ubuntu file set and conforms to normal Ubuntu procedures.

4.1.2 Notes on General Boot Principles

- Secure boot does not change the overall sequence. The significant difference is that secure boot involves each component (starting with the BootROM) validating the images it loads and starts. This sequence of image validations is called the "chain of trust".

Linux often resets peripherals and reloads their firmware. This process is specific to the SoCs.

4.2 TF-A

Trusted Firmware (TF-A) is an implementation of secure world software for Armv8-A. TF-A provides trusted code base complying with the Arm specifications. The TF-A boot flow consists of 5 individual boot stages running at different exception levels, as explained in the following table.

The exception levels are related with Arm TrustZone technology, a mechanism that allows for hardware resources isolation in the Arm SoC. The Arm architectures support two TrustZone modes for the cores, Secure and Non-Secure, and this is the relation with the different Exception Levels:

- EL0, EL1, EL2: the processor can be in Secure (for example, EL1S) or Non-Secure (for example, EL1) mode.
- EL3: the processor is only allowed to be in Secure mode.

Boot stage	Exception level	Description
BL1	EL3	Boot ROM firmware Note: BL1 is embedded in hardware (Boot ROM + PBL commands)
BL2	EL3	Platform initialization firmware
BL31	EL3	Resident runtime firmware
BL32	EL1S	[Optional] Trusted operating system. For example, OP-TEE.

BL33	EL2	Normal world bootloader. For example, U-Boot, UEFI
------	-----	--

TF-A boot flow

1. BootROM (BL1)

- a. When the CPU is released from reset, hardware executes PBL commands that copy the BL2 binary (`bl2.bin`) for platform initialization to OCRAM. The PBI commands also populate the BOOTLOC ptr to the location where `bl2.bin` is copied.
- b. Upon successful execution of the PBI commands, Boot ROM passes control to the BL2 image at EL3.

2. BL2

- a. BL2 initializes the DRAM, configures TZASC
- b. BL2 validates BL31, BL32, and BL33 images to the DDR memory after validating these images. BL31, BL32, and BL33 images form FIP image, `fip.bin`.
- c. Post validation of all the components of the FIP image, BL2 passes execution control to the EL3 runtime firmware image named as "BL31",

3. BL31

- a. Sets up exception vector table at EL3
- b. Configures security-related settings (TZPC)
- c. Provides services to both bootloader and operating system, such as controlling core power state and bringing additional cores out of reset
- d. [Optional] Passes execution control to Trusted OS (OP-TEE) image, BL32, if BL32 image is present.

4. BL32

- a. [Optional] After initialization, BL32 returns control to BL31.

5. BL31

- a. Passes execution control to bootloader U-Boot/UEFI, BL33 at EL2

6. BL33

- a. Loads and starts the kernel and other firmware (if any) images.

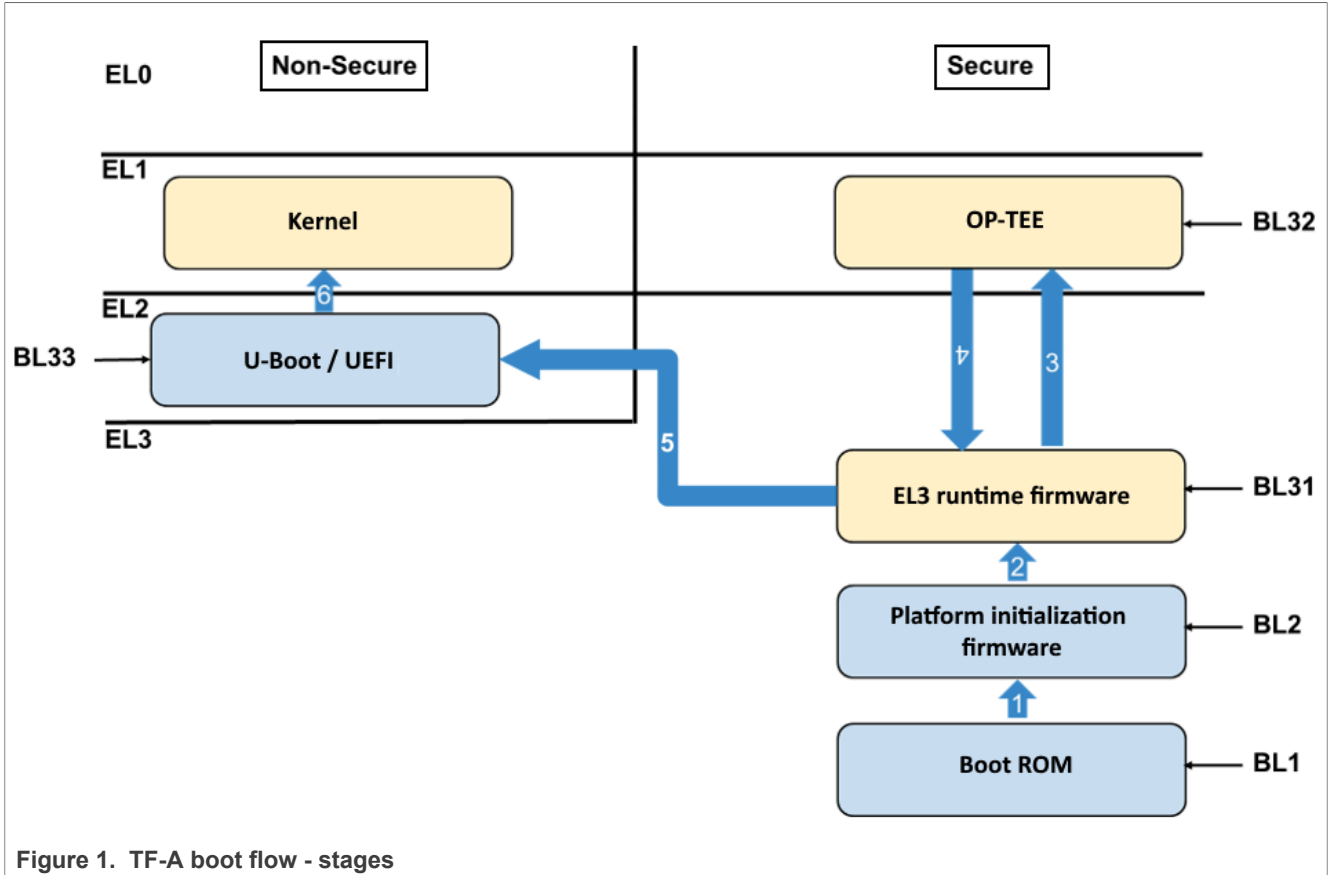


Figure 1. TF-A boot flow - stages

4.2.1 TF-A features

4.2.1.1 TF-A DDR Driver

Introduction

DDR initialization is implemented in TF-A for following platforms: **LS1012A, LS1028A, LS1043A, LS1046A, LS1088A, LS2088A, LX2160A Rev2, and LX2162A**

TF-A DDR driver is part of BL2 binary and high-level boot sequence is as follows:

Boot ROM -> BL2 (**DDR Init**) -> BL31 -> U-boot/UEFI -> Linux Kernel

It does both DDR controller and PHY initialization.

TF-A Versions

As two different TFA versions are supported, DDR driver directory hierarchy is different for each of the TFA versions. The following table shows the TF-A versions supported by different platforms.

Platforms	TFA version
LS1012A, LS1028A, LS1043A, LS1046A, LS1088A, LS2088A	TFA 1.5
LX2160A Rev2, LX2162A	TFA 2.3

DDR Board Parameters

For non-LX2 platforms, DDR board configuration can be specified with following macros in the DDR driver.

Macro	File Path
DDRC_NUM_DIMM	Plat/nxp/<SOC>/<Board>/platform_def.h
NUM_OF_DDRC	Plat/nxp/<SOC>/include/soc.h

Steps To Add DDR Driver In TFA

_init_ddr

Each platform needs to define a function `_init_ddr` which is in a board-specific file, for instance `plat/nxp/soc-ls1043/ls1043ardb/ddr_init.c`.

The `_init_ddr` function calls `dram_init` which calls the NXP DDR drivers initialization routine.

This function can also be used to apply DDR errata, which needs to be applied post DDR configuration.

File: `ddr_init.c`

```
long long _init_ddr(void)
{
    int spd_addr[] = { 0x51, 0x52, 0x53, 0x54 };
    struct ddr_info info;
    struct sysinfo sys;
    long long dram_size;
    zeromem(&sys, sizeof(sys));
    get_clocks(&sys);
    debug("platform clock %lu\n", sys.freq_platform);
    debug("DDR PLL1 %lu\n", sys.freq_ddr_pll0);
    debug("DDR PLL2 %lu\n", sys.freq_ddr_pll1);
    zeromem(&info, sizeof(info));
    /* Set two DDRC. Unused DDRC will be removed automatically. */
    info.num_ctlrs = 2;
    info.spd_addr = spd_addr;
    info.ddr[0] = (void *)NXP_DDR_ADDR;
    info.ddr[1] = (void *)NXP_DDR2_ADDR;
    info.phy[0] = (void *)NXP_DDR_PHY1_ADDR;
    info.phy[1] = (void *)NXP_DDR_PHY2_ADDR;
    info.clk = get_ddr_freq(&sys, 0);
    if (!info.clk)
        info.clk = get_ddr_freq(&sys, 1);
    info.dimmem_on_ctlr = 2;
    dram_size = dram_init(&info);
    if (dram_size < 0)
        ERROR("DDR init failed.\n");
    return dram_size;
}
```

DDR Board Level Applications

The DDR driver supports the following board level applications for DDR:

- **DIMM**: Driver reads SPD for configuring DDR timing parameters
- **Mock DIMM**: Hardcoded timing in place of reading SPD
- **Discrete DDR**: Driver requires a static DDR configuration to be added

DIMM

When a board design uses DIMM module for dynamic memory configuration.

`_init_dds` function uses DDR board parameters to read the attached SPD and configure the DDR controller.

MOCK DIMM

When a board design uses fixed or discrete DDR, hardcoded or static timing can be used to configure DDR timing parameters.

Define macro "CONFIG_DDR_NODIMM" in `plat/nxp/<SOC>/<Board>/platform_def.h` to enable MOCK DIMM support.

Define function "ddr_get_dds_params" and structure `dim_params` in `dds_init.c` file.

Example:

```
struct dimm_params ddr_raw_timing = {
    .n_ranks = 2,
    .rank_density = 4294967296u,
    .capacity = 8589934592u,
    .primary_sdram_width = 64,
    .ec_sdram_width = 8,
    .device_width = 8,
    .die_density = 0x4,
    .rdimm = 0,
    .mirrored_dimm = 1,
    .n_row_addr = 15,
    .n_col_addr = 10,
    .bank_addr_bits = 0,
    .bank_group_bits = 2,
    .edc_config = 2,
    .burst_lengths_bitmask = 0x0c,
    .tckmin_x_ps = 750,
    .tckmax_ps = 1600,
    .caslat_x = 0x00FFFC00,
    .taa_ps = 13750,
    .trcd_ps = 13750,
    .trp_ps = 13750,
    .tras_ps = 32000,
    .trc_ps = 457500,
    .twr_ps = 15000,
    .trfc1_ps = 260000,
    .trfc2_ps = 160000,
    .trfc4_ps = 110000,
    .tfaw_ps = 21000,
    .trrds_ps = 3000,
    .trrdl_ps = 4900,
    .tccd1_ps = 5000,
    .refresh_rate_ps = 7800000,
};
int ddr_get_dds_params(struct dimm_params *pdimm,
                     struct ddr_conf *conf)
{
    static const char dimm_model[] = "Fixed DDR on board";
    conf->dimm_in_use[0] = 1; /* Modify accordingly */
    memcpy(pdimm, &ddr_raw_timing, sizeof(struct dimm_params));
    memcpy(pdimm->mpart, dimm_model, sizeof(dimm_model) - 1);
    /* valid DIMM mask, change accordingly, together with dimm_on_ctrlr. */
    return 0x5;
}
```

Discrete DDR

When a board design uses fixed or discrete DDR, static timing can be used to configure DDR timing parameters.

Define macro "CONFIG_STATIC_DDR" in plat/nxp/<SOC>/<BOARD>/platform_def.h to enable discrete DDR timings.

Define board_static_dds() function and structure ddr_cfg_regs in file ddr_init.c.

Example:

```
const struct ddr_cfg_regs static_1600 = {
    .cs[0].config = 0x80040322,
    .cs[0].bnds = 0x1FF,
    .cs[1].config = 0x80000322,
    .cs[1].bnds = 0x1FF,
    .sdram_cfg[0] = 0xE5004000,
    .sdram_cfg[1] = 0x401151,
    .sdram_cfg[2] = 0x0,
    .timing_cfg[0] = 0x91550018,
    .timing_cfg[1] = 0xBAB48E44,
    .timing_cfg[2] = 0x490111,
    .timing_cfg[3] = 0x10C1000,
    .timing_cfg[4] = 0x220002,
    .timing_cfg[5] = 0x3401400,
    .timing_cfg[6] = 0x0,
    .timing_cfg[7] = 0x13300000,
    .timing_cfg[8] = 0x1224800,
    .timing_cfg[9] = 0x0,
    .dq_map[0] = 0x32C57554,
    .dq_map[1] = 0xD4BB0BD4,
    .dq_map[2] = 0x2EC2F554,
    .dq_map[3] = 0xD95D4001,
    .sdram_mode[0] = 0x3010211,
    .sdram_mode[1] = 0x0,
    .sdram_mode[9] = 0x400000,
    .sdram_mode[8] = 0x500,
    .sdram_mode[2] = 0x10211,
    .sdram_mode[3] = 0x0,
    .sdram_mode[10] = 0x400,
    .sdram_mode[11] = 0x400000,
    .sdram_mode[4] = 0x10211,
    .sdram_mode[5] = 0x0,
    .sdram_mode[12] = 0x400,
    .sdram_mode[13] = 0x400000,
    .sdram_mode[6] = 0x10211,
    .sdram_mode[7] = 0x0,
    .sdram_mode[14] = 0x400,
    .sdram_mode[15] = 0x400000,
    .interval = 0x18600618,
    .zq_cntl = 0x8A090705,
    .ddr_sr_cntr = 0x0,
    .clk_cntl = 0x2000000,
    .cdr[0] = 0x80040000,
    .cdr[1] = 0xC1,
    .wrlvl_cntl[0] = 0x86750607,
    .wrlvl_cntl[1] = 0x8090A0B,
    .wrlvl_cntl[2] = 0xD0E0F0C,
};

long long board_static_dds(struct ddr_info *priv)
{
    memcpy(&priv->ddr_reg, &static_1600, sizeof(static_1600));
}
```

```
memcpy(&priv->dimmb, &static_dimmb, sizeof(static_dimmb));
priv->conf.cs_on_dimmb[0] = 0x3;
ddr_board_options(priv);
compute_ddr_phy(priv);
return ULL(0x400000000);
}
```

For LX2 platforms additional information is required, this is used by the PHY driver to identify DDR parameters.

```
const struct dimmb_params static_dimmb = {
    .rdimmb = 0,
    .primary_sdram_width = 64,
    .ec_sdram_width = 8,
    .n_ranks = 2,
    .device_width = 8,
    .mirrored_dimmb = 1,
};
```

Once these parameters are correct, rebuild the ATF components and the changes will be available in the bl2.pbl files which combine the board’s RCW/PBL and the bl2 binary.

DDR Debug Options

The compile-time debug option is used to log all kinds of information that is useful in debugging the DDR issues.

Debug Flag	Description	Build Command
DDR_DEBUG	Print all DDR PHY input configuration information	make PLAT=<platform> pbl RCW=<rcw file> fip BL33=<u-boot.bin> DEBUG=1 DDR_DEBUG=yes
DDR_BIST	Enable built-in self test for DDR	make PLAT=<platform> pbl RCW=<rcw file> fip BL33=<u-boot.bin> DEBUG=1 DDR_BIST=yes

DDR Sanity Testing

DDR sanity testing can be done using following test features:

- BIST
- mtest (in U-Boot)

Built-In Self Test

Use DDR debug option DDR_BIST=yes during TFA compilation.

This debug option will enable BIST in DDR and driver will run BIST after DDR controller and PHY are initialized.

Board boot up logs:

Memory tester (Mtest)

mtest is a U-Boot command used to test the DDR memory.

Configure U-Boot to compile the mtest command, add mtest #defines in platform-specific config file and compile U-Boot.

For example:

File: include/configs/lx2162aqds.h

```
#define CONFIG_CMD_MEMTEST
#define CONFIG_SYS_MEMTEST_START CONFIG_SYS_DDR_SDRAM_BASE
```

```
#define CONFIG_SYS_MEMTEST_END (CONFIG_SYS_DDR_SDRAM_BASE + 0x100)
```

U-Boot commands:

```
=> help mtest
mtest - simple RAM read/write test
```

Usage:

```
mtest [start [end [pattern [iterations]]]]
```

```
=> mtest 80000000 80000100 0xaabbccdd 3
Testing 80000000 ... 80000100:
Pattern AABBCCDD Writing... Reading...Tested 3 iteration(s) with 0 errors.
```

LX2 – TFA Driver

LX2 platforms LX2160ARDB rev2.0 and LX2162 uses TFA version - TFA 2.3.

Below are LX2 specific documents.

Warm Reset (LP3) Feature

LX2162AQDS support warm reset feature. For details, see [Warm reset](#) section.

DDR Board Parameters

File - plat/nxp/soc-lx2160//platform.def defines following macros:

- NUM_OF_DDRC
- DDRC_NUM_DIMM
- DDRC_NUM_CS

You can make changes as per your board configuration in this file.

DDR PHY Training Firmware**How To Update DDR PHY Training Firmware**

Ensure to update DDR PHY training firmware to latest version. DDR PHY training firmware filename is **fip_dds_all.bin** (DDR FIP Image)

For steps to flash **fip_dds_all.bin** on different boot mediums, see [How to program TF-A binaries on specific boot mode](#)

To check DDR PHY firmware version, compile TFA with DDR debug option – DDR_PHY_DEBUG=yes. See [DDR debug options](#).

Refer the following PMU message to find out the DDR PHY training firmware (fip_dds_all.bin) version 2019.04.

PMU10: ** Start DDR4 Training. PMU Firmware Revision 0x1001 ******

4.2.1.1.1 How to compile DDR FIP image (only applicable for LX2160ARDB Rev2 and LX2162AQDS)

A pre-built FIP image is already provided in the release. To regenerate the DDR fip image for LX2160ARDB Rev2 and LX2162AQDS, perform the following steps:

1. \$ cd atf/tools/fiptool

2. \$ **Download DDR PHY binaries:** `git clone https://github.com/nxp-qoriq/ddr-phy-binary.git`
3. \$ `git checkout v2019.04`
4. \$ `make`
5. \$ `./fiptool create --ddr-immem-udimm-1d ddr-phy-binary/lx2160a/ddr4_pmu_train_imem.bin --ddr-immem-udimm-2d ddr-phy-binary/lx2160a/ddr4_2d_pmu_train_imem.bin --ddr-dmmem-udimm-1d ddr-phy-binary/lx2160a/ddr4_pmu_train_dmem.bin --ddr-dmmem-udimm-2d ddr-phy-binary/lx2160a/ddr4_2d_pmu_train_dmem.bin --ddr-immem-rdimm-1d ddr-phy-binary/lx2160a/ddr4_rdimm_pmu_train_imem.bin --ddr-immem-rdimm-2d ddr-phy-binary/lx2160a/ddr4_rdimm2d_pmu_train_imem.bin --ddr-dmmem-rdimm-1d ddr-phy-binary/lx2160a/ddr4_rdimm_pmu_train_dmem.bin --ddr-dmmem-rdimm-2d ddr-phy-binary/lx2160a/ddr4_rdimm2d_pmu_train_dmem.bin fip_ddr_all.bin`

The DDR fip image, `fip_ddr_all.bin`, is generated at `atf/tools/fiptool`

List of DDR PHY binaries for each option:

- `--ddr-immem-udimm-1d` <`ddr4_pmu_train_imem.bin`>
- `--ddr-immem-udimm-2d` <`ddr4_2d_pmu_train_imem.bin`>
- `--ddr-dmmem-udimm-1d` <`ddr4_pmu_train_dmem.bin`>
- `--ddr-dmmem-udimm-2d` <`ddr4_2d_pmu_train_dmem.bin`>
- `--ddr-immem-rdimm-1d` <`ddr4_rdimm_pmu_train_imem.bin`>
- `--ddr-immem-rdimm-2d` <`ddr4_rdimm2d_pmu_train_imem.bin`>
- `--ddr-dmmem-rdimm-1d` <`ddr4_rdimm_pmu_train_dmem.bin`>
- `--ddr-dmmem-rdimm-2d` <`ddr4_rdimm2d_pmu_train_dmem.bin`>

For steps to flash `fip_ddr_all.bin` on different boot mediums, see [Section 4.2.3.3](#).

For commands to generate DDR FIP for secure boot, see [Section 5.1.1.5.3](#).

Table 22. DDR Debug options and build examples

Debug flag	Description	Build command
DEBUG_PHY_IO	Dumps all DDR PHY register reads/writes during initialization. This includes IMEM, DMEM, and CSR. This debug option considerably increases the board boot up time as it dumps all PHY register reads/writes.	<pre>make PLAT=<platform> pbl RCW=<rcw file> fip BL33=<u-boot.bin> DEBUG_PHY_IO=yes</pre> <p>Here, <platform> can be LX2162AQDS or LX2160ARDB_Rev2</p> <p>For example:</p> <pre>make PLAT=LX2162AQDS pbl RCW=../lx2-rcw/lx2162aqds/GGGG_NNNN_PPPP_PPPP_RR_17_2/rcw_2000_650_2900_17_2.bin fip BL33=../lx2-uboot/u-boot.bin DEBUG_PHY_IO=yes</pre>
DDR_DEBUG	Prints all DDR PHY input configuration information	<pre>make PLAT=<platform> pbl RCW=<rcw file> fip BL33=<u-boot.bin> DEBUG=1 DDR_DEBUG=yes</pre> <p>Here, <platform> can be LX2162AQDS or LX2160ARDB_Rev2</p> <pre>make PLAT=<platform> pbl RCW=../lx2-rcw/lx2162aqds/GGGG_NNNN_PPPP_PPPP_RR_17_2/rcw_2000_650_2900_17_2.bin fip BL33=../lx2-uboot/u-boot.bin DEBUG=1 DDR_DEBUG=yes</pre>

Table 22. DDR Debug options and build examples...continued

Debug flag	Description	Build command
DDR_PHY_DEBUG	Prints PMU 1D and 2D training messages	<pre>make PLAT=<platform> pbl RCW=<rcw file> fip BL33=<u-boot.bin> DEBUG=1 DDR_PHY_DEBUG=yes</pre> <p>Here, <platform> can be LX2162AQDS or LX2160ARDB_Rev2</p> <pre>make PLAT=<platform> pbl RCW=../lx2-rcw/lx2162aqds/GGGG_NNNN_PPPP_PPPP_RR_17_2/rcw_2000_650_2900_17_2.bin fip BL33=../lx2-u-boot/u-boot.bin DEBUG=1 DDR_PHY_DEBUG=yes</pre>
DDR_BIST	Enables built-in self test for DDR	<pre>make PLAT=<platform> pbl RCW=<rcw file> fip BL33=<u-boot.bin> DEBUG=1 DDR_BIST=yes</pre> <p>Here, <platform> can be LX2162AQDS or LX2160ARDB_Rev2</p> <pre>make PLAT=<platform> pbl RCW=../lx2-rcw/lx2162aqds/GGGG_NNNN_PPPP_PPPP_RR_17_2/rcw_2000_650_2900_17_2.bin fip BL33=../lx2-u-boot/u-boot.bin DEBUG=1 DDR_BIST=yes</pre>
DEBUG_DDR_INPUT_CONFIG	Prints input configuration in JSON format	<pre>make PLAT=<platform> pbl RCW=<rcw file> fip BL33=<u-boot.bin> DEBUG_DDR_INPUT_CONFIG=yes</pre> <p>Here, <platform> can be LX2162AQDS or LX2160ARDB_Rev2</p> <pre>make PLAT=<platform> pbl RCW=../lx2-rcw/lx2162aqds/GGGG_NNNN_PPPP_PPPP_RR_17_2/rcw_2000_650_2900_17_2.bin fip BL33=../lx2-u-boot/u-boot.bin DEBUG_DDR_INPUT_CONFIG=yes</pre>

4.2.2 TF-A key components

4.2.2.1 Warm reset boot support

Note: Warm reset is supported only for LX2162AQDS and enabled by default.

Warm reset support is required to:

- Retain the content on the DDR memory to analyze the reason for last reset and debug information.
- Reduce the boot-up time. This is because as part of warm reset, the DDR training is not done and DDR is brought up by the last stored training data.

Warm Reboot execution flow

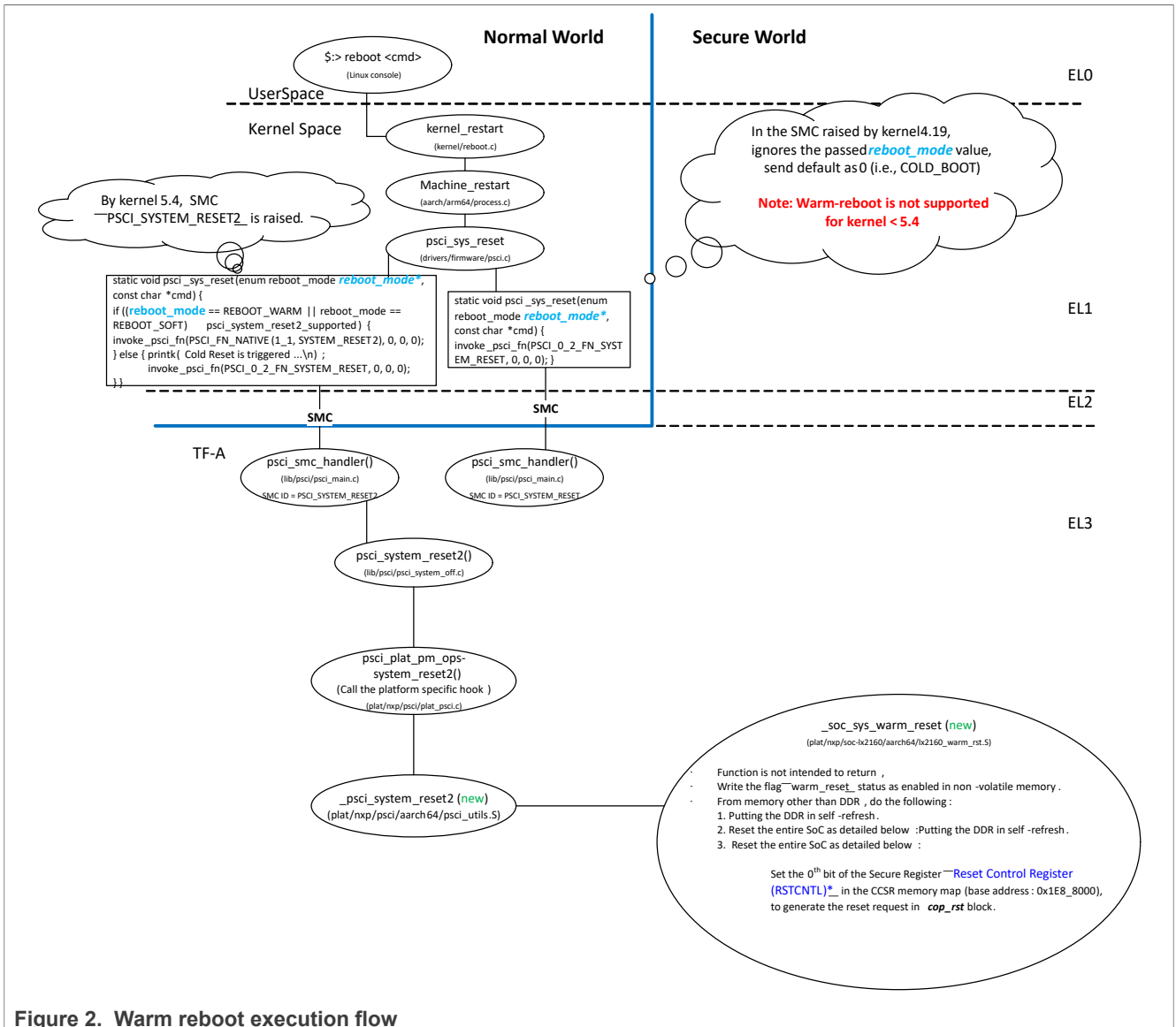


Figure 2. Warm reboot execution flow

As per the warm reboot execution flow:

- From Linux kernel 5.x onwards, there is separate PSCI SMC called `PSCI_SYSTEM_RESET2` for vendor-specific handling. This same SMC ID is used to differentiate between warm boot and cold boot in Linux.
- As a part of `_soc_sys_warm_reset()`:
 - Warm-reset flag is set and saved in the non-volatile space in order to retrieve the reboot mode in the next reset cycle.
 - DDR memory is put in the self-refresh mode.
 - RSTCNTL register is used to do software requested reset.
- Two non-volatile memories are supported:
 - FlexSPI NOR flash.
 - Low-power SecMon GPR registers, if backed by coiled battery.
- Warm reset status flag is handled as shown in the following state machine:

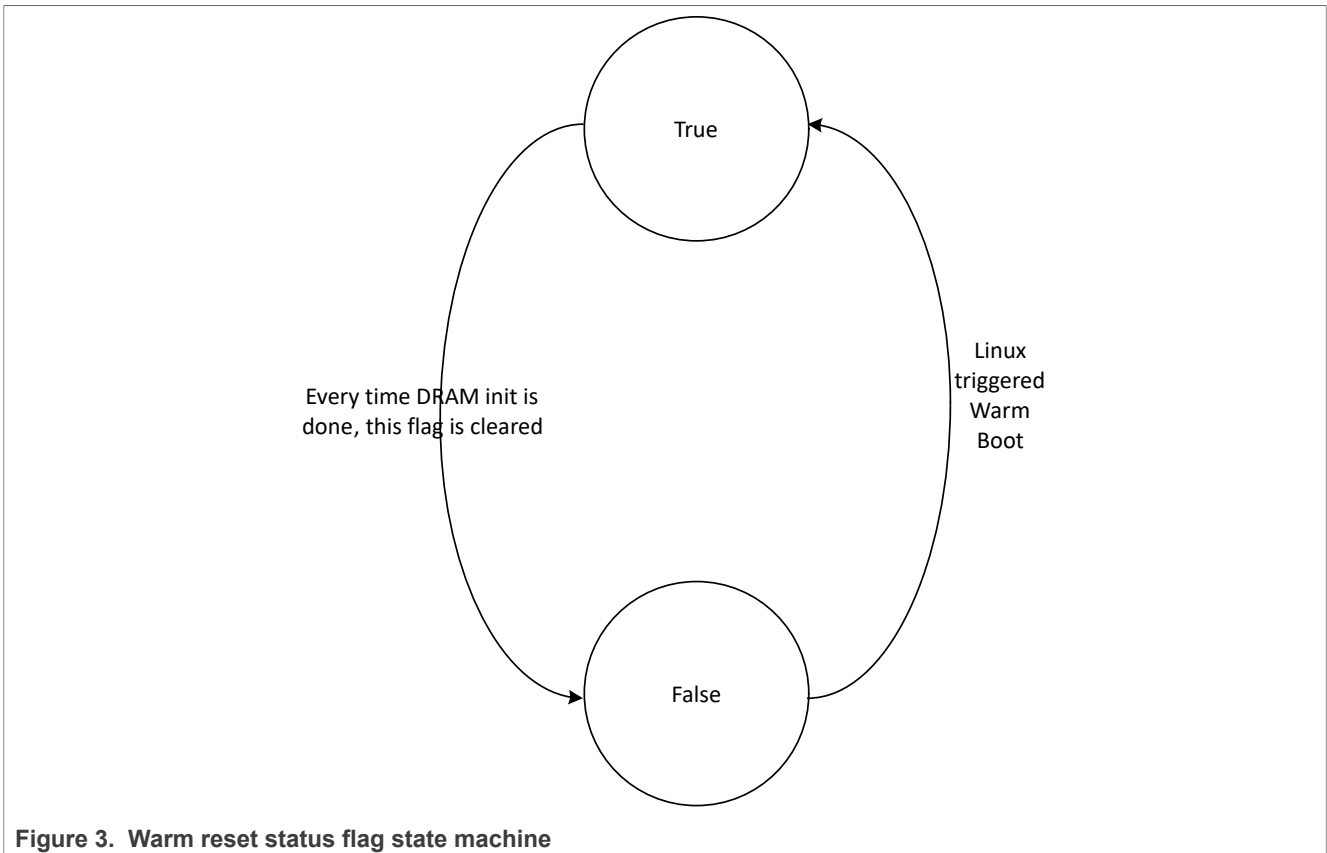


Figure 3. Warm reset status flag state machine

Warm boot up execution flow

In warm boot, the DDR memory restores the last saved training data from the non-volatile memory and initializes the DDR. As part of the current implementation, FlexSPI NOR flash is used to store the DDR training data.

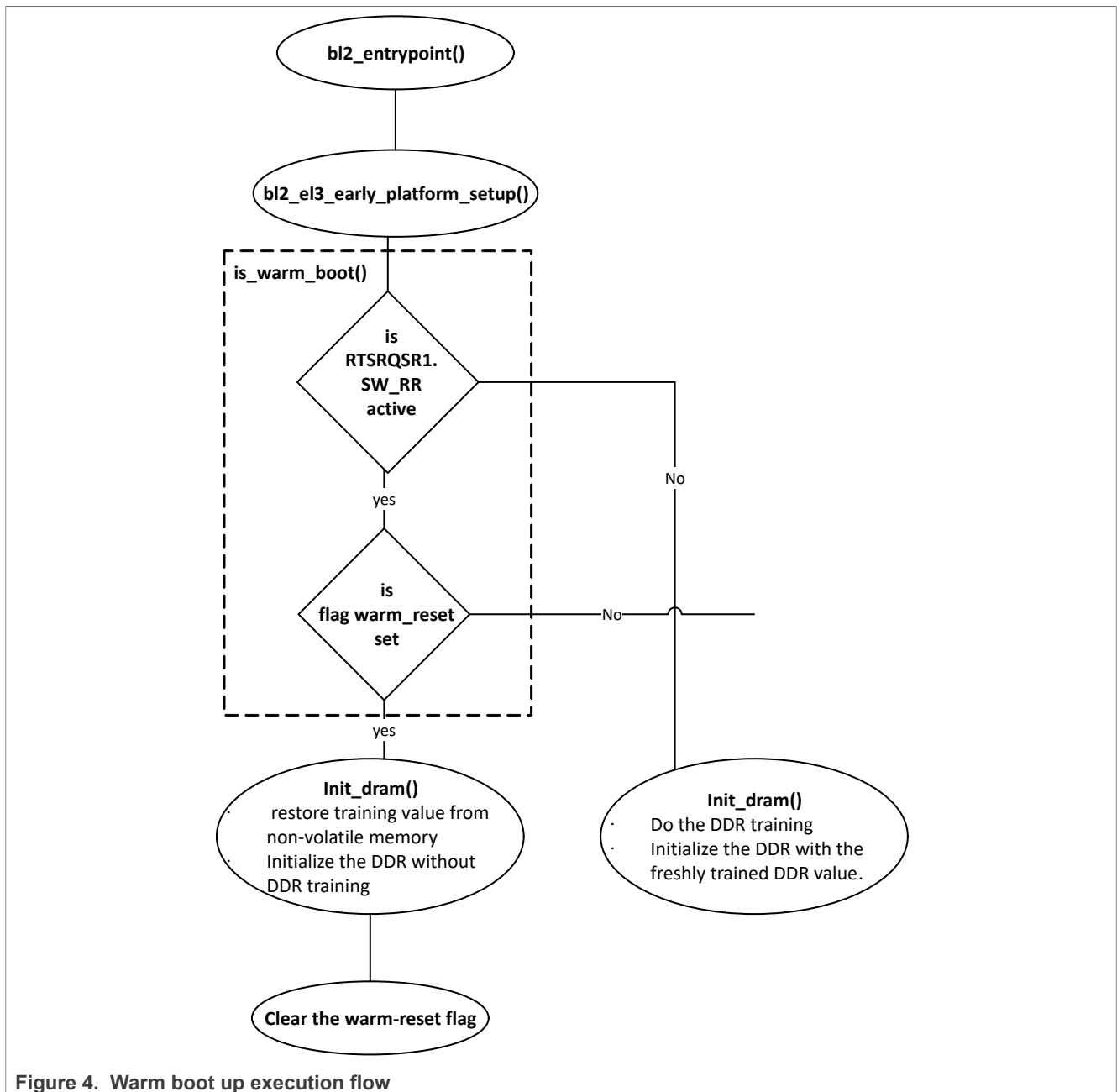


Figure 4. Warm boot up execution flow

Steps to enable Warm reset

At the time of binary compilation:

- TF-A
 - Check following variables in `plat/nxp/soc-lxxx/<platform_name>/platform.mk`
 - `WARM_BOOT =`
 - yes - warm-reset is supported
 - no - warm-reset is not supported
 - `NXP_COINED_BB =`
 - yes - Low-power SecMon GPR registers are backed by coined battery to retain the content across reset.

- no - FlexSPI NOR flash is used to save the status flag for warm reset.
- At the time of binary execution:
 1. Set the variable `reboot_mode` in `bootargs`.

```
=> setenv bootargs 'console=ttyS0,115200 root=/dev/mmcblk0p4 reboot=w
earlycon=uart8250,mmio,0x21c0500 mtdparts=1550000.spi-0:1m(rcw),15m(u-
boot),48m(kernel.itb);7e800000.flash:16m(nand_uboot),48m(nand_kernel),448m(nand_free)'
```

Here, `reboot_mode = 0; //Warm boot`

2. Boot-up to the Linux prompt.
3. Run `reboot` from the Linux prompt to trigger the warm reset.

```
$ reboot
```

4.2.3 Deploying TF-A binaries

To migrate to the TF-A boot flow from the old boot flow (with PPA), you need to compile the TF-A binaries, `bl2_<boot_mode>.pbl` and `fip.bin`, and flash these binaries on the specific boot medium on the board.

The following table lists the new flash images in the boot flow with TF-A.

TF-A binary name	Components
<code>bl2_<boot_mode>.pbl</code>	BL2 binary: <platform> initialization binary
	RCW binary for <boot_mode>
<code>fip.bin</code>	BL31: Secure runtime firmware
	BL32: Trusted OS, for example, OP-TEE (optional)
	BL33: U-Boot/UEFI image

Note:

- <platform> = `ls1012ardb | ls1012afdrm | ls1012afrawy | ls1043ardb | ls1046ardb | ls1088ardb | ls2088ardb | lx2160ardb_rev2 | lx2162aqds`
- <boot_mode> = `nor, nand, sd, emmc, qspi, flexspi_nor`

Table 23. Supported boot modes for each platform

Platforms	Boot modes					
	SD	QSPI	NOR	NAND	eMMC	FlexSPI-NOR
LS1012ARDB		Yes				
FRDM-LS1012 A		Yes				
FRWY-LS1012 A		Yes				
FRWY-LS1012 A (512 MB)		Yes				
LS1043ARDB	Yes		Yes	Yes		
LS1046ARDB	Yes	Yes			Yes	
LS1088ARDB	Yes	Yes				
LS2088ARDB		Yes	Yes			
LX2160ARDB Rev2	Yes				Yes	Yes

Follow these steps to compile and deploy TF-A binaries (b12_<boot_mode>.pbl and fip.bin) on the required boot mode.

1. Compile PBL binary from RCW source file
2. Compile U-Boot binary
3. [Optional] Compile OP-TEE binary
4. Compile TF-A binaries (b12_<boot_mode>.pbl and fip.bin)
5. Program TF-A binaries on specific boot mode

4.2.3.1 How to compile PBL binary from RCW source file

You need to compile the rcw_<boot_mode>.bin binary to build the b12_<boot_mode>.pbl binary.

1. Clone the rcw repository and compile the PBL binary:

```
$ git clone https://github.com/nxp-qoriq/rcw.git
$ cd rcw
$ git checkout -b <new branch name> <LSDK tag> ;For example, $ git checkout -
b LSDK-19.03 LSDK-19.03
$ cd <platform>
```

2. If required, make changes to the RCW files:

```
$ make
```

This procedure builds the compiled PBL binary for all the boot modes, available for the selected platform.

For example: The compiled PBL binary for QSPI NOR flash on LS1088ARDB-PB, rcw_1600_qspi.bin, is available at rcw/ls1088ardb/FCQQQQQQQQ_PPP_H_0x1d_0x0d/.

To build the b12_<boot_mode>.pbl binary, see [Section 4.2.3.2.1](#)

Note: See the rcw/<platform>/README file for an explanation of the naming convention for the directories that contain the RCW source and binary files.

4.2.3.2 How to compile TF-A binaries

Clone the atf repository and compile the TF-A binaries, b12_<boot_mode>.pbl and fip.bin.

1. \$ git clone https://github.com/nxp-qoriq/atf.git
2. \$ cd atf
3. \$ git checkout -b <new branch name> LSDK-<LSDK version>. For example, \$ git checkout -b LSDK-21.08 LSDK-21.08
4. \$ export ARCH=arm64
5. \$ export CROSS_COMPILE=aarch64-linux-gnu-

Follow the steps mentioned in [Section 4.2.3.2.1](#) (b12_<boot_mode>.pbl) and [Section 4.2.3.2.2](#) (fip.bin) to compile both TF-A binaries.

4.2.3.2.1 How to compile BL2 binary

To build BL2 binary with OPTEE, run this command:

```
$ make PLAT=<platform> b12 SPD=opteed BOOT_MODE=<boot_mode> BL32=<optee_binary>
pbl RCW=<path_to_rcw_binary>/<rcw_binary_for_specific_boot_mode>
```

The compiled BL2 binaries, `bl2.bin` and `bl2_<boot_mode>.pbl` are available at `atf/build/<platform>/release/`. For any update in the BL2 source code or RCW binary, the `bl2_<boot_mode>.pbl` binary needs to be recompiled.

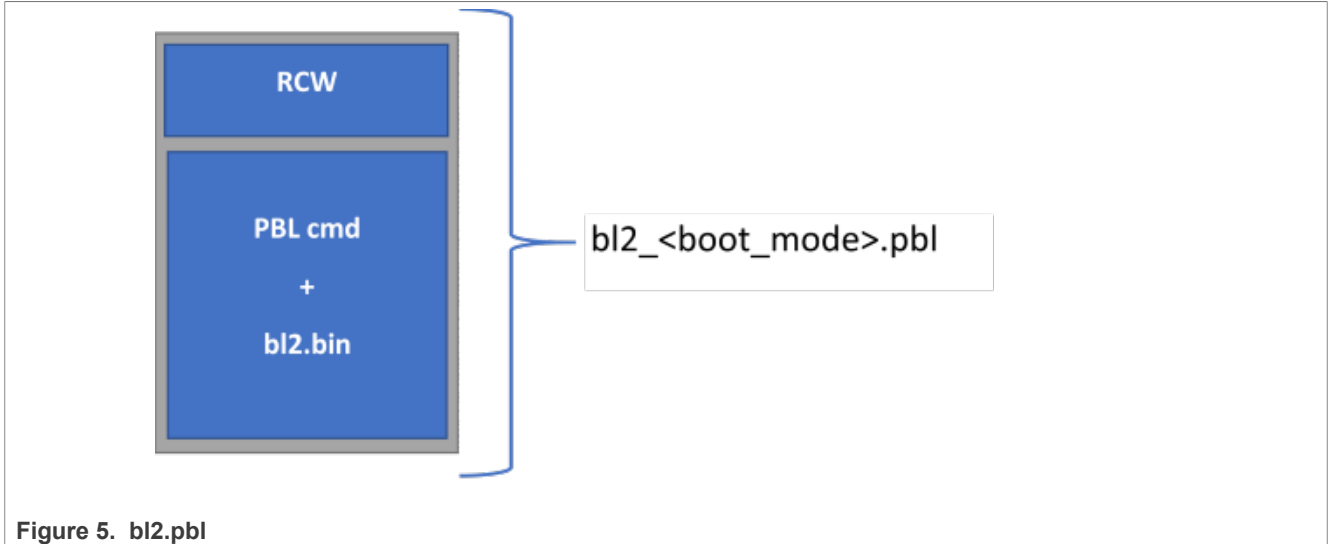


Figure 5. `bl2.pbl`

Note:

To compile the BL2 binary without OPTEE:

```
make PLAT=<platform> bl2 BOOT_MODE=<boot_mode> pbl RCW=<path_to_rcw_binary>/<rcw_binary_for_specific_boot_mode>
```

4.2.3.2.2 How to compile FIP binary

To build FIP binary with OPTEE and without trusted board boot, run this command:

```
$ make PLAT=<platform> fip BL33=<path_to_u-boot_binary>/u-boot.bin SPD=opteed BL32=<path_to_optee_binary>/tee.bin
```

The compiled BL31 and FIP binaries, `bl31.bin`, `fip.bin`, are available at `atf/build/<platform>/release/`. For any update in the BL31, BL32, or BL33 binaries, the `fip.bin` binary needs to be recompiled.

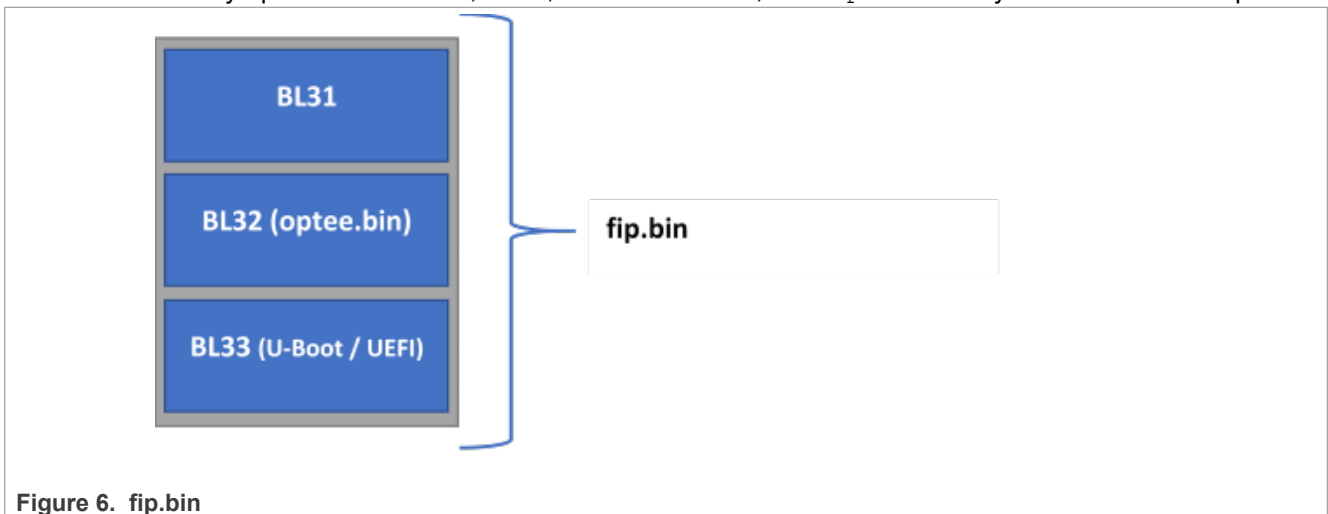


Figure 6. `fip.bin`

Note:

To compile the FIP binary without OPTEE and without trusted board boot:

```
make PLAT=<platform> fip BL33=<path_to_u-boot_binary>/u-boot.bin
```

Note:

To compile the FIP binary with trusted board boot, refer the read me at [<tfa_repo>/plat/nxp/README.TRUSTED_BOOT](#).

4.2.3.3 How to program TF-A binaries on specific boot mode**• QSPI NOR Flash**

1. Boot from QSPI NOR flash0
2. Program QSPI NOR flash1: => sf probe 0:1
3. Flash bl2_qspi.pbl:

```
=> tftp 0xa0000000 bl2_qspi.pbl
=> sf erase 0x0 +$filesize && sf write 0xa0000000 0x0 $filesize
```

4. Flash fip.bin:

```
=> tftp 0xa0000000 fip.bin
=> sf erase 0x100000 +$filesize && sf write 0xa0000000 0x100000 $filesize
```

5. Flash DDR FIP binary (Supported only for LX2162AQDS or LX2160ARDB Rev2):

```
=> tftp 0x82000000 fip_ddr_all.bin
=> sf erase 0x800000 +$filesize; sf write 0x82000000 0x800000 $filesize
```

6. Boot from QSPI NOR flash1. The board will boot with TF-A

• SD/eMMC Card

1. Boot from QSPI NOR flash0.
2. Flash bl2_sd.pbl on SD/eMMC card:

```
=> tftp 82000000 bl2_sd.pbl
=> mmc write 82000000 8 <blk_cnt>
```

Here, blk_cnt refers to number of blocks in SD card that need to be written as per the file size. For example, when you load bl2_sd.pbl from the TFTP server, if the bytes transferred is 82809 (14379 hex), then blk_cnt is calculated as $82809/512 = 161$ (A1 hex). For this example, mmc write command will be: => mmc write 82000000 8 A1.

3. Flash fip.bin on SD/eMMC card:

```
=> tftp 82000000 fip.bin
=> mmc write 82000000 800 <blk_cnt>
```

Here, blk_cnt refers to number of blocks in SD card that need to be written as per the file size. For example, when you load fip.bin from the TFTP server, if the bytes transferred is 1077157 (106fa5 hex), then blk_cnt is calculated as $1077157/512 = 2103$ (837 hex). For this example, mmc write command will be: => mmc write 82000000 800 837.

4. Flash DDR FIP binary (Supported only for LX2162AQDS or LX2160ARDB Rev2):

```
=> tftp 82000000 fip_ddr_all.bin
=> mmc write 82000000 0x04000 <blk_cnt>
```

Here, blk_cnt refers to number of blocks in SD card that need to be written as per the file size.

5. Boot from SD card. The board will boot with TF-A.

- **NOR Flash**

1. Boot from default bank.
2. Flash bl2_nor.pbl on alternate bank:

```
=> tftp 82000000 $path/bl2_nor.pbl;
=> pro off all;erase <bl2_alternate_bank_address> +$filesize;cp.b 82000000
<bl2_alternate_bank_address> $filesize
```

For LS1043ARDB, TWR-LS1021A, <bl2_alternate_bank_address> is 0x64000000.

For LS2088ARDB, <bl2_alternate_bank_address> is 0x584000000.

3. Flash fip.bin on alternate bank:

```
=> tftp 82000000 $path/fip.bin;
=> pro off all;erase <fip_alternate_bank_address> +$filesize;cp.b 82000000
<fip_alternate_bank_address> $filesize
```

For LS1043ARDB, TWR-LS1021A, <fip_alternate_bank_address> is 0x64100000.

For LS2088ARDB, <fip_alternate_bank_address> is 0x584100000.

Note: For NOR bank current bank addresses for different boards, see [Section 3.8](#).

4. Boot the board from alternate bank. The board will boot with TF-A.

- **NAND Flash**

1. Flash bl2_nand.pbl:

```
=> tftp 82000000 $path/bl2_nand.pbl
=> nand erase 0x0 $filesize;nand write 0x82000000 0x0 $filesize;
```

2. Flash fip.bin:

```
=> tftp 82000000 $path/fip.bin
=> nand erase 0x100000 $filesize;nand write 0x82000000 0x100000 $filesize;
```

3. Then boot from NAND flash. The board will boot with TF-A.

Note: For details about the boot modes supported by a hardware board and booting commands, see the [Section 3.7](#).

4.3 U-Boot

4.3.1 Changes in U-Boot

- In the TF-A boot flow, DDR initialization is not required in U-Boot. DDR initialization is a part of TF-A. DDR init code can be added to <atf_dir>/plat/nxp/soc-<soc-name>/<soc-name>ardb/ddr_init.c
For example, for LX2160ARDB Rev2, the DDR init code can be added to <atf_dir>/plat/nxp/soc-lx2160/lx2160ardb/ddr_init.c
The DDR drivers for various controllers can be found at <atf_dir>/plat/nxp/drivers/ddr
- Any changes in the interconnect initialization can be added to the soc.c file at <atf_dir>/plat/nxp/soc-<soc-name>/
- A single defconfig is created for all the boot sources, <platform>_tfa_defconfig. For example, for LX2160ARDB Rev2, defconfig needs to be used is lx2160ardb_tfa_defconfig
- The TF-A defconfig is created with following considerations:
 - PPA support is disabled

- Environment support is enabled for all the boot sources, such as FlexSPI, SD boot
- Other changes:
 - Boot command changes done to support bitbake Linux autoboot. This is similar to changes required for bitbake support. Following variables are defined:
 - XSPI_NOR_BOOTCOMMAND
 - SD_BOOTCOMMAND
 - MC init command changes done to provide the MC init command as per boot source:
 - XSPI_MC_INIT_CMD
 - SD_MC_INIT_CMD

4.3.2 Layerscape LDP U-Boot uses distro boot feature

As in previous versions of the NXP SDK, the U-Boot variable `bootcmd` contains commands that represent the default boot process. Layerscape LDP is different in that it uses a standard U-Boot feature called `distro boot` to make automatic booting more flexible. In `distro boot`, `bootcmd` runs additional commands in the variable `distro_bootcmd`. These commands are the heart of the `distro boot` process.

`Distro boot` sequential examines partitions on mass storage devices looking for a script file. When U-Boot finds one, it loads and executes it to initiate the boot process.

The mass storage devices to be searched are defined in the U-Boot environment variable `boot_targets`. Set it to control which mass storage devices are searched and the order in which they are searched. For example,

```
=> printenv boot_targets
boot_targets=usb0 mmc0 scsi0 dhcp
```

The command above shows the search order USB device 0, MMC (or SD) device 0, SCSI (SATA) device 0, followed by DHCP.

The process of searching involves a number of U-Boot variables. It ends with the variables shown below in an example from an LS2088ARDB.

```
=> printenv scan_dev_for_scripts
scan_dev_for_scripts=for script in ${boot_scripts}; do if test -e ${devtype}
${devnum}:${distro_bootpart} ${prefix}${script}; then echo Found U-Boot script
${prefix}${script}; run boot_a_script; echo SCRIPT FAILED: continuing...; fi;
done => printenv boot_scripts boot_scripts=ls2088ardb_boot.scr => printenv
boot_a_script boot_a_script=load ${devtype} ${devnum}:${distro_bootpart}
${scriptaddr} ${prefix}${script}; env exists secureboot && load ${devtype}
${devnum}:${distro_bootpart} ${scripthdraddr} ${prefix}${boot_script_hdr} &&
esbc_validate ${scripthdraddr};source ${scriptaddr}
```

The process searches for a script named by the variable `boot_scripts`. In this example, the search is for a script named `ls2088ardb_boot.scr`. When this script is located, it is loaded into RAM using the `load` command and run using the `source` command. This causes Linux to boot.

Layerscape LDP puts bootscripts into a file system on the second partition of a mass storage device. U-Boot can display files in a file system. Continuing the example, the following U-Boot commands list the files in the second partition of USB device 0 (do a `usb start` first):

```
=> ls usb 0:2
174096 config-4.19.68-00020-g5256accac243
1030533 firmware_ls1012afrawy_qspiboot.img
45346968 firmware_ls1012ardb_qspiboot.img
45346968 firmware_ls1028ardb_xspiboot.img
45346968 firmware_ls1043ardb_norboot.img
```

```

45346968 firmware_ls1046afrawy_qspiboot.img
45346968 firmware_ls1046ardb_qspiboot.img
45346968 firmware_ls1088ardb_pb_qspiboot.img
45346968 firmware_ls2088ardb_norboot.img
45346968 firmware_ls2088ardb_qspiboot.img
45346968 firmware_lx2160ardb_rev2_xspiboot.img
<DIR> 4096 flash_images
20846 flash_images.scr
14243 fsl-ls1012a-2g5rdb.dtb
15257 fsl-ls1012a-frdm.dtb
15267 fsl-ls1012a-frwy.dtb
15923 fsl-ls1012a-qds.dtb
14290 fsl-ls1012a-rdb.dtb
20767 fsl-ls1028a-qds.dtb
19986 fsl-ls1028a-rdb-dpdk.dtb
20121 fsl-ls1028a-rdb.dtb
32939 fsl-ls1043a-qds.dtb
34451 fsl-ls1043a-qds-sdk.dtb
30627 fsl-ls1043a-rdb.dtb
40956 fsl-ls1043a-rdb-sdk.dtb
33614 fsl-ls1043a-rdb-usdpaa.dtb
29843 fsl-ls1046a-frwy.dtb
31519 fsl-ls1046a-frwy-sdk.dtb
32754 fsl-ls1046a-frwy-usdpaa.dtb
32709 fsl-ls1046a-qds.dtb
34269 fsl-ls1046a-qds-sdk.dtb
29945 fsl-ls1046a-rdb.dtb
40270 fsl-ls1046a-rdb-sdk.dtb
32956 fsl-ls1046a-rdb-usdpaa.dtb
18608 fsl-ls1088a-qds.dtb
19175 fsl-ls1088a-rdb.dtb
23524 fsl-ls2080a-qds.dtb
23082 fsl-ls2080a-rdb.dtb
21961 fsl-ls2081a-rdb.dtb
23428 fsl-ls2088a-qds.dtb
29733 fsl-ls2088a-rdb.dtb
27720 fsl-lx2160a-qds.dtb
32280 fsl-lx2160a-rdb.dtb
<DIR> 4096 grub
2176 hdr_ls1012afrawy_bs.out
2176 hdr_ls1012ardb_bs.out
2176 hdr_ls1028ardb_bs.out
2176 hdr_ls1043ardb_bs.out
2176 hdr_ls1046afrawy_bs.out
2176 hdr_ls1046ardb_bs.out
2176 hdr_ls1088ardb_bs.out
2176 hdr_ls2088ardb_bs.out
2176 hdr_lx2160ardb_bs.out
24852992 Image
10814630 Image.gz
964 ls1012afrawy_boot.scr
962 ls1012ardb_boot.scr
1038 ls1028ardb_boot.scr
965 ls1043ardb_boot.scr
968 ls1046afrawy_boot.scr
965 ls1046ardb_boot.scr
961 ls1088ardb_boot.scr
961 ls2088ardb_boot.scr
28569752 lsdk_linux_arm64_LS_tiny.itb
980 lx2160ardb_boot.scr

```



```
17462941 rootfs_yocto_arm64_tiny.cpio.gz
<DIR> 4096 secboot_hdrs
      992 srk_hash.txt
10814630 vmlinux-4.19.68-00020-g5256accac243
```

It shows that this USB drive contains scripts (and necessary images) to boot any of the boards LS1043ARDB, LS1046ARDB, LS1088ARDB, and LS2088ARDB. For example, the LS2088ARDB bootscrip is `ls2088ardb_boot.scr`. The script files are binary. But one can boot Linux and look at them. Layerscape LDP mounts the boot partition containing the scripts at mount point `/boot`.

```
root@ls1028ardb:~# ls /boot
Image
firmware_ls2088ardb_norboot.img
fsl-ls1028a-qds.dtb fsl-ls1046a-frwy.dtb
fsl-ls2081a-rdb.dtb hdr_ls1046afrwy_bs.out
ls1046afrwy_boot.scr Image.gz
firmware_ls2088ardb_qspiboot.img
fsl-ls1028a-rdb-dpdk.dtb
fsl-ls1046a-qds-sdk.dtb
fsl-ls2088a-qds.dtb
hdr_ls1046ardb_bs.out
ls1046ardb_boot.scr config-4.19.68-00020-g5256accac243
firmware_lx2160ardb_rev2_xspiboot.img
fsl-ls1028a-rdb.dtb
fsl-ls1046a-qds.dtb
fsl-ls2088a-rdb.dtb
hdr_ls1088ardb_bs.out
ls1088ardb_boot.scr
firmware_ls1012afrwy_qspiboot.img
flash_images
fsl-ls1043a-qds-sdk.dtb
fsl-ls1046a-rdb-sdk.dtb
fsl-lx2160a-qds.dtb
hdr_ls2088ardb_bs.out
ls2088ardb_boot.scr
firmware_ls1012ardb_qspiboot.img
flash_images.scr
fsl-ls1043a-qds.dtb
fsl-ls1046a-rdb-usdpaa.dtb
fsl-lx2160a-rdb.dtb
hdr_lx2160ardb_bs.out
lsdk_linux_arm64_LS_tiny.itb
firmware_ls1028ardb_xspiboot.img
fsl-ls1012a-2g5rdb.dtb
fsl-ls1043a-rdb-sdk.dtb
fsl-ls1046a-rdb.dtb
grub
lost+found
lx2160ardb_boot.scr
firmware_ls1043ardb_norboot.img
fsl-ls1012a-frdm.dtb
fsl-ls1043a-rdb-usdpaa.dtb
fsl-ls1088a-qds.dtb
hdr_ls1012afrwy_bs.out
ls1012afrwy_boot.scr
rootfs_yocto_arm64_tiny.cpio.gz
firmware_ls1046afrwy_qspiboot.img
fsl-ls1012a-frwy.dtb
fsl-ls1043a-rdb.dtb
```

```
fsl-ls1088a-rdb.dtb
hdr_ls1012ardb_bs.out
ls1012ardb_boot.scr
secboot_hdrs
firmware_ls1046ardb_qspiboot.img
fsl-ls1012a-qds.dtb
fsl-ls1046a-frwy-sdk.dtb
fsl-ls2080a-qds.dtb
hdr_ls1028ardb_bs.out
ls1028ardb_boot.scr srk_hash.txt
firmware_ls1088ardb_pb_qspiboot.img
fsl-ls1012a-rdb.dtb
fsl-ls1046a-frwy-usdpaa.dtb
fsl-ls2080a-rdb.dtb
hdr_ls1043ardb_bs.out
ls1043ardb_boot.scr
vmlinuz-4.19.68-00020-g5256accac243
```

The bootscripts are sophisticated due to secure boot. Ignore secure boot, and the key steps in a bootscript are:

```
part uuid $devtype $devnum:3 partuuid3
setenv bootargs console=ttyS1,115200 earlycon=uart8250,mmio,0x21c0600
root=PARTUUID=$partuuid3 rw rootwait $othbootargs default_hugepagesz=2m
hugepagesz=2m hugepages=256 load $devtype $devnum:2 $kernel_addr_r /Image; load
$devtype $devnum:2 $fdt_addr_r /fsl-ls2088a-rdb.dtb; booti $kernel_addr_r -
$fdt_addr_r
```

The distro boot search process sets the variables `devtype` and `devnum`. In this example, they would be "usb" and "0".

The U-Boot `part` command sets variable `partuuid3` to the partition universal unique identifier of partition 3 of USB device 0. This value is used in `bootargs` to identify the root partition to the Linux kernel. This method is better than using a device name (like `/dev/sda3`) because it is not dependent on probe order.

The next steps are to load the kernel image (`vmlinuz`) and device tree (`fsl-ls2088a-rdb.dtb`) into RAM and then boot Linux using `booti`.

In summary (and ignoring secure boot), the distro boot processes searches for a partition with a file system containing a bootscript. It loads and runs the bootscript. The bootscript does the five steps above to boot Linux.

To boot your own kernel, replace the kernel and device tree images in `/boot` and reboot your system. But also install any needed kernel modules first.

There are two types of userland in Layerscape LDP:

- Large standard distro (Layerscape LDP rootfs) deployed on external SD/USB/SATA media storage.
- Prebuilt tiny ramdisk rootfs (currently non-customizable) deployed in flash media onboard for arm32/arm64 target.

If U-Boot is used as bootloader, after Layerscape LDP is installed by flex-installer and reboots the target board, U-Boot will first automatically search for bootscript `<platform>_boot.scr` from SD/eMMC/USB/SATA storage media, if a valid `<platform>_boot.scr` is found, U-Boot will boot the external distro (Ubuntu as default) deployed on SD/USB/SATA media storage, otherwise U-Boot will fall back to boot the TinyDistro deployed on flash media onboard.

In case of booting Layerscape LDP tiny rootfs from flash media: The default U-Boot environment `bootargs` is used and user can directly modify `bootargs` for custom kernel on demand.

In case of booting Layerscape LDP distro from external SD/USB/SATA storage disk: The default U-Boot environment `'bootargs'` is NOT used by external distro, `bootargs` is preset in `<platform>_boot.scr`,

users can indirectly modify othbootargs on demand, for example, `setenv othbootargs fsl_fm_max_frm=9600` at the U-Boot prompt.

4.3.3 Layerscape LDP U-Boot flash image feature

- In case user needs to flash different image (for example, atf bl2, atf bl3, fip, dtb, kernel, and so on) to current or other bank to evaluate certain feature on Layerscape board, for example, to evaluate TDM feature with the non-default `rcw_1600_getdm.bin` on LS1043ARDB:

- Change default `rcw_1600.bin` to `rcw_1600_getdm.bin` for `rcw_nor` variable in `ls1043ardb.manifest` in `bitbake`.
- Clean the obsolete ATF images.

```
$ bitbake qoriq-atf -c cleanall
```

- Regenerate ATF image with new RCW specified in step 1.

```
$ bitbake qoriq-atf
```

- Copy the new BL2 image `<build_dir>/image/` to `flash_images/ls1043ardb` directory of boot partition on the SD card.

- Run the following commands at the U-Boot prompt on LS1043ARDB.

```
=> setenv board ls1043ardb
=> setenv bd_type mmc
=> setenv bd_part 0:2
=> setenv bank other
=> ls $bd_type $bd_part flash_images/ls1043ardb
# to update RCW in BL2
=> setenv img bl2
=> setenv bl2_img flash_images/ls1043ardb/bl2_nor.pbl
=> load $bd_type $bd_part $load_addr flash_images.scr
=> source $load_addr
# similarly, to update dtb
=> setenv img dtb
=> setenv dtb_img fsl-ls1043a-rdb-usdpaa.dtb
=> source $load_addr
```

- To flash all images to current or other bank, set environment variable `img` to `all` by executing commands `setenv img all` and `source $load_addr`.
- To flash single image, set environment variable `img` to one of following: `bl2`, `fip`, `mcfw`, `mcuipc`, `mcuip1`, `fman`, `qe`, `pfe`, `phy`, `dtb` or `kernel`
- If needed, you can override the default setting of variable `bd_part`, `flash_type`, `bl2_img`, `fip_img`, `dtb_img`, `kernel_img`, `qe_img`, `fman_img`, `phy_img`, `mcfw_img`, `mcuip1_img`, `mcuipc_img` before running `source $load_addr`.

4.3.4 How to compile U-Boot binary

You must compile the `u-boot.bin` binary to build the `fip.bin` binary.

- Clone the `u-boot` repository and compile the U-Boot binary for TF-A:

```
$ git clone https://github.com/nxp-qoriq/u-boot
$ cd u-boot
$ git checkout -b <new branch name> LSDK-<LSDK version> ;
```

For example, `$ git checkout -b LSDK-21.08 LSDK-21.08`

```
$ export ARCH=arm64
$ export CROSS_COMPILE=aarch64-linux-gnu-
```

```
$ make distclean
$ make <platform>_tfa_defconfig
```

Note: A single defconfig is created for all the boot sources, `<platform>_tfa_defconfig`. For example, for LS1088ARDB, defconfig needs to be used is `ls1088ardb_tfa_defconfig`.

2. Run the make command

```
$ make
```

Note: If the make command shows the error `*** Your GCC is older than 6.0 and is not supported`, ensure that you are using Ubuntu 18.04 64-bit version for building Layerscape LDP U-Boot binary.

The compiled U-Boot image, `u-boot.bin`, is available at `u-boot/`.

4.3.5 Defining IOMMU mappings for PCIe SRIOV virtual functions

Support for specifying additional IOMMU mappings for PCIe controllers can be enabled through the `PCI_IOMMU_EXTRA_MAPPINGS` Kconfig option, which can be found under the following items in U-Boot `menuconfig`:

```
-> Device Drivers
-> PCI support (PCI [=y])
-> Layerscape PCIe support (PCIE_LAYERSCAPE [=y])
```

The `pci_iommu_extra` U-Boot environment variable or `pci-iommu-extra` device tree property (to be used, for example, in more static scenarios, such as hardwired PCIe endpoints (EPs) that get initialized later in the system setup) allows to:

- Specify the maximum number of virtual functions that can be created for an SRIOV-capable PCIe EP, which is identified by its bus-device-function (BDF)
- Specify the BDF the device will show up with on the PCIe bus for hot-plug use case

For a given PCIe bus identified by its controller's base register address (as defined in the `reg` property in the device tree), the `pci_iommu_extra` U-Boot environment variable consists of a list of `<bdf>`, `<action>` pairs as given below:

```
pci_iommu_extra = pci@<addr1>,<bdf>,<action>,<bdf>,<action>,
pci@<addr2>,<bdf>,<action>,<bdf>,<action>,...
```

where:

- `<addr>` is the base register address of the PCIe controller for which the subsequent `<bdf>`, `<action>` pairs apply
- `<bdf>` identifies the BDF the action applies to
- `<action>` can be:
 - `vfs=<number>`, which indicates the number of VFs (of the PCIe EP identified earlier by the `<bdf>`) for which mappings will be included. Its variant `noari_vfs=<number>` is available to disallow counting of alternative routing-id interpretation (ARI) VFs.
 - `hp`, which indicates that a hot-plugged device will be attached on the BDF; therefore, the BDF needs a mapping

The `pci-iommu-extra` device tree property must be placed under the correct PCIe controller node and then only the `<bdf>`, `<action>` pairs need to be specified, as given below:

```
pci-iommu-extra = "<bdf>,<action>,<bdf>,<action>,..."
```

Note: The environment variable has higher precedence as compared to the device tree property.

For example, for the following configuration on PCIe bus 6:

```
=> pci 6
Scanning PCIe devices on bus 6
```

BusDevFun	VendorId	DeviceId	Device Class	Sub-Class
06.00.00	0x8086	0x1572	Network controller	0x00
06.00.01	0x8086	0x1572	Network controller	0x00

The following command will create IOMMU mappings in `pci_iommu_extra` U-Boot environment variable for three VFs of each physical function (PF):

```
=> setenv pci_iommu_extra pci@0x3800000,6.0.0,vfs=3,6.0.1,vfs=3
```

This can be specified as given below for the `pci-iommu-extra` device tree property:

```
pci-iommu-extra = "6.0.0,vfs=3,6.0.1,vfs=3";
```

For a hot-plugged device, an IOMMU mapping can be added in `pci_iommu_extra` U-Boot environment variable as follows:

```
=> setenv pci_iommu_extra pci@0x3800000,2.16.0,hp
```

This can be specified as given below for the `pci-iommu-extra` device tree property:

```
pci-iommu-extra = "2.16.0,hp";
```

5 Security

5.1 Firmware/TF-A security features

5.1.1 Secure boot

5.1.1.1 Introduction

The secure boot process ensures that only trustworthy software is executed on a device. This is done by digitally signing each image using an RSA key pair and authenticating the image before executing it on the device. The secure boot process thus helps in establishing a chain of trust on the device. It also prevents the unauthorized code from executing on the device, for example if any unauthorized modification of image is detected or signature verification fails, the image cannot be executed on the device.

This section explains how images are validated in the secure boot process. The image validation process is split into various boot stages, such as BL1, BL2 (at EL3), BL31, BL32, BL33, where each stage performs a specific function and validates the subsequent stage before passing control to that stage. For details about various boot stages, see [TF-A](#).

Secure boot image validation is done using respective headers for each of the images.

The headers can be of two types:

- CSF headers (NXP Chain of Trust), and

- X.509 certificate (Arm Chain of Trust).

CSF headers are generated using the [Code signing tool](#).

For details about X.509 certificate, see <https://developer.arm.com/docs/den0006/latest/trusted-board-boot-requirements-client-tbbr-client-armv8-a>

The TF-A based secure boot flow is as follows:

1. When SoC comes out of reset, control is transferred to BL1, which is responsible for validation of BL2 image using its header added with the BL2 image itself. BL1 reads the BOOTLOC pointer value to locate the BL2 image header and validates the image there after.
2. If the BL2 image is validated successfully, control is passed for its execution. BL2 image further validates the components of FIP image using their respective headers. FIP image constitutes of following images:
 - X.509 certificate/CSF header BL31 + BL31 image
 - X.509 certificate/CSF header BL32 + BL32 image (optional)
 - X.509 certificate/CSF header BL33 + BL33 image
3. BL33 (U-Boot) is responsible to perform the validation of the next level firmware to establish the chain of trust.

The figures included in this section refer to CSF header implementation in NXP CoT. For details about implementation of X.509 certificate in Arm CoT, see <https://developer.arm.com/docs/den0006/latest/trusted-board-boot-requirements-client-tbbr-client-armv8-a>

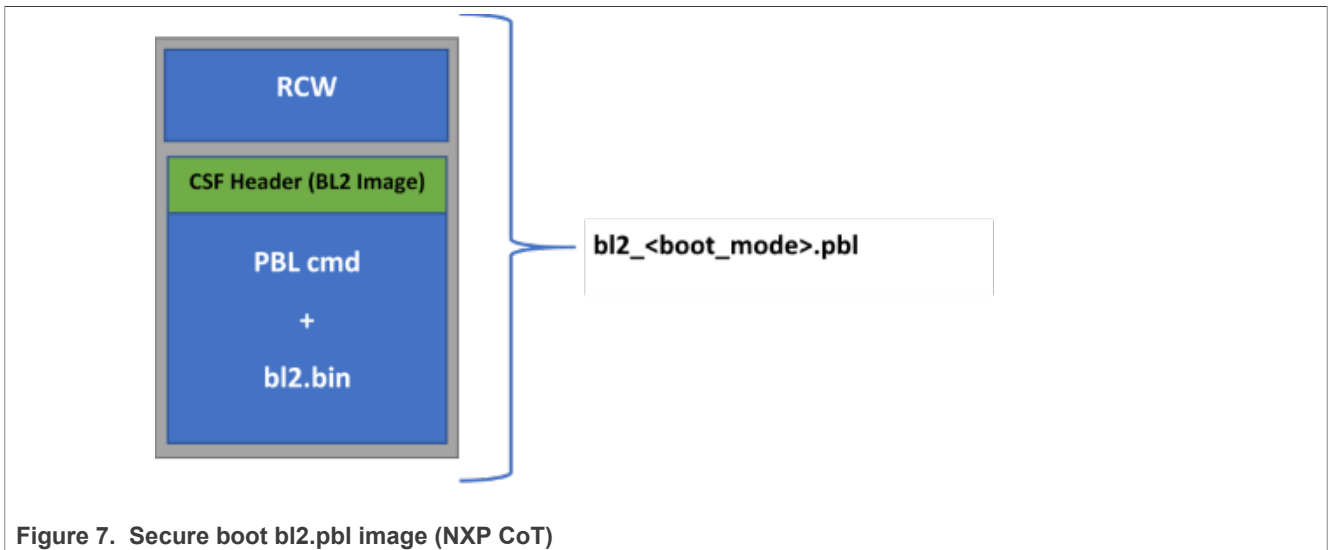


Figure 7. Secure boot bl2.pbl image (NXP CoT)

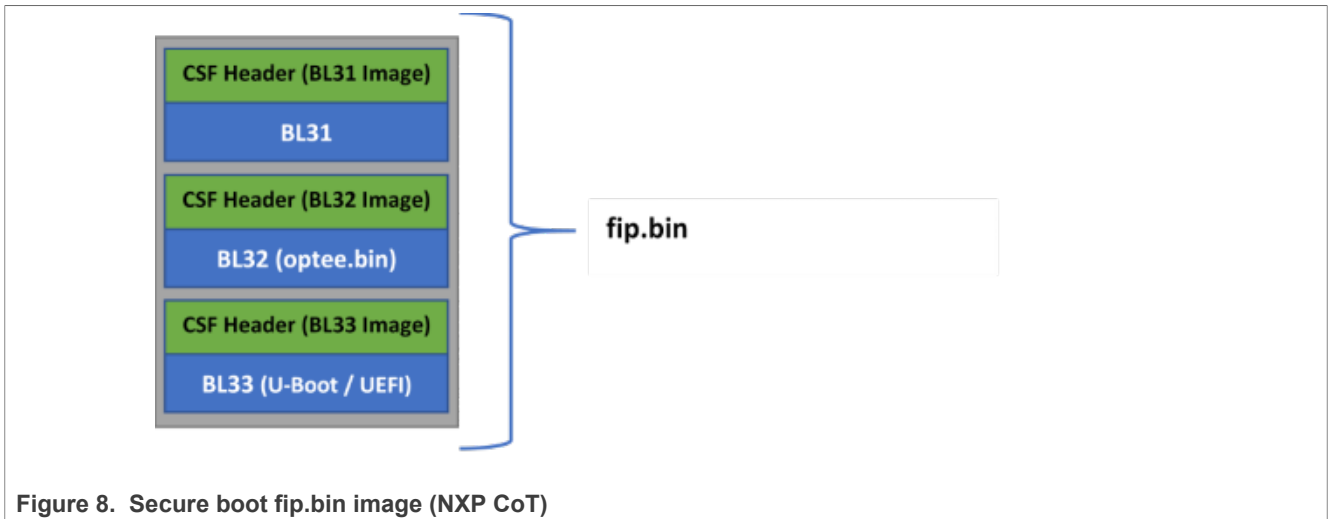


Figure 8. Secure boot fip.bin image (NXP CoT)

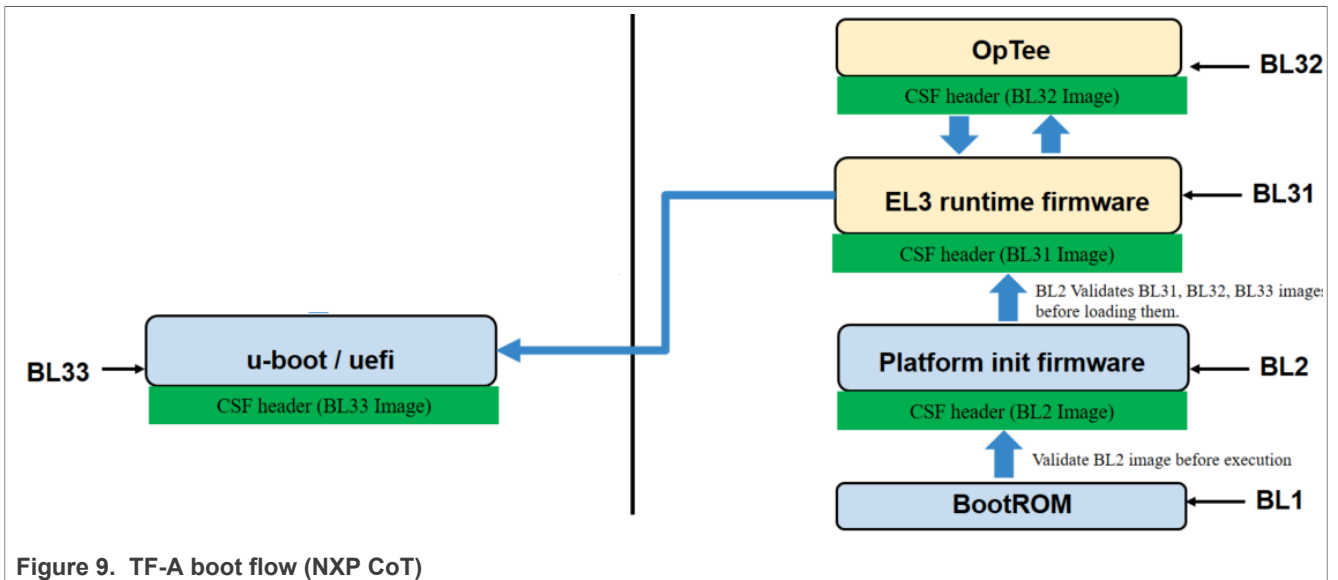


Figure 9. TF-A boot flow (NXP CoT)

5.1.1.2 Secure boot process

The secure boot process uses a digital signature validation routine to authenticate an image. The routine performs validation by decrypting the signed hash using a hardware bound RSA public key. The hash is then compared to the freshly calculated hash for the same system image. If the comparison passes, the image is considered as authentic.

The following figure explains the code signing and signature verification process.

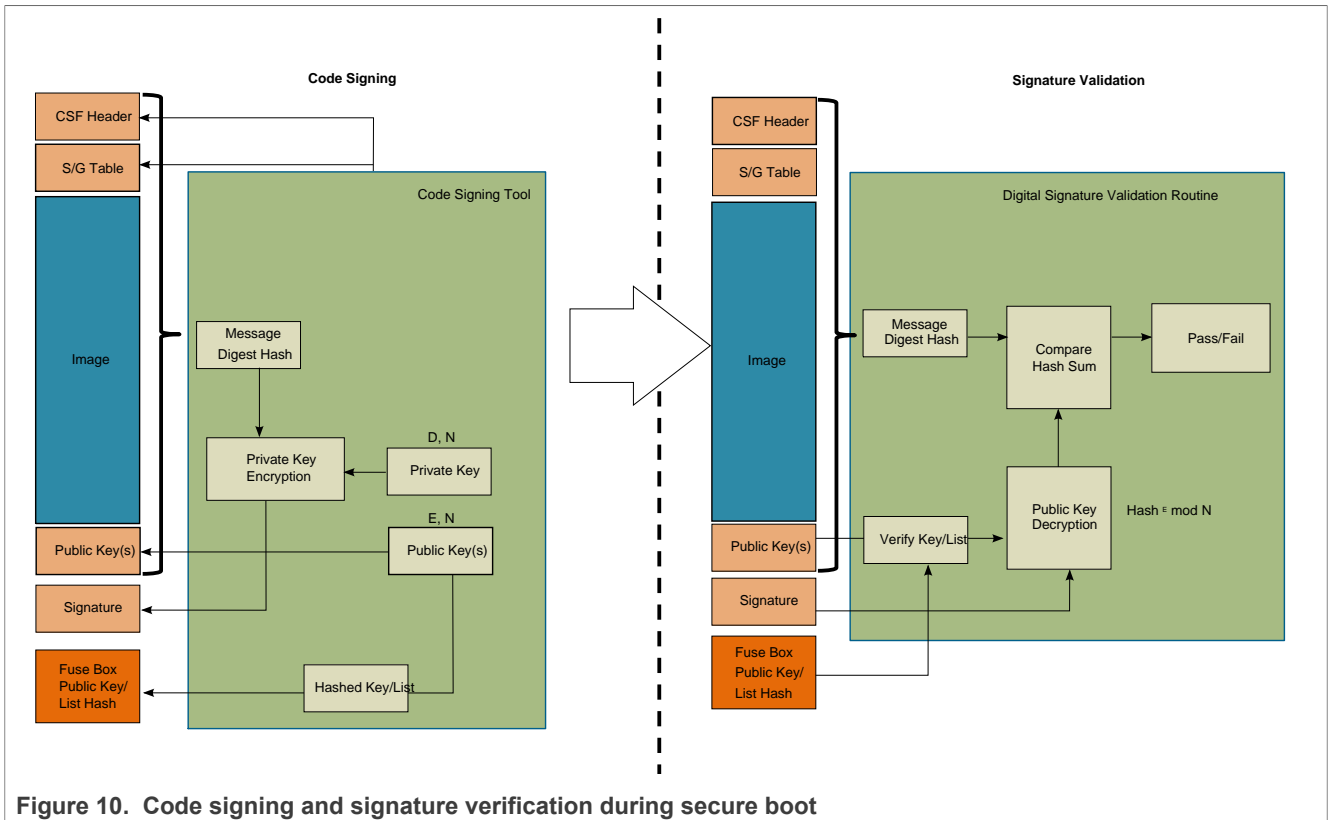


Figure 10. Code signing and signature verification during secure boot

As a part of the code signing process (shown at the left side of the figure), the Code Signing Tool (CST) adds following parameters while preparing the boot image. This process is performed off-chip.

CSF header

Command Sequence File header

This header provides information required to perform image validation, such as flags, pointers to image, offsets to key/signature, and their lengths, to ISBC and ESBC.

Note: CSF headers vary for the ISBC and ESBC phases. For details about the specific CSF header, see [Section "TA 2.x platforms - ISBC and ESBC CSF header structure definition, SRK table, SG table"](#), [Section "TA 3.x platforms - ISBC CSF header structure definition, SRK table, SG table"](#), [Section "TA 3.x platforms - ESBC CSF header structure definition"](#)

SG table

Scatter Gather table

Optional (N/A for some stages that support only a single image)
Allows support for multiple non-contiguous images.

Note: SG table is supported only in ISBC. ESBC does not provide support for the SG table.

Public key list

Super Root Key (SRK) table

One or more public keys are appended to the image. The CSF header indicates which of the keys is to be used in signature validation.

Signature

The SHA-256 hash of the CSF header + SG table + Image + Public Key(s), encrypted with an RSA private key corresponding to one of the public keys in the key list.

CST also supports:

Generating RSA public and private key pairs The RSA private key should be stored securely.

Hashing the public key or public key list This hash is stored in the SRK hash (SRKH) register in the Security Fuse Processor (SFP).

Assuming that the device is configured to perform secure boot, the digital signature validation routine performs following steps (as shown at the right side of the figure).

1. The routine locates and parses the CSF header to determine the size and location of the image, public keys, and digital signature.
2. It hashes the public key and compares it to the hash of the public key or key list stored in the SRKH register in SFP. If the hash comparison fails, secure boot fails.
3. It uses the validated public key to decrypt the digital signature, recovering the hash of the header + image + public keys.
4. The routine then calculates hash over the header + image (ESBC/Trusted Firmware) + public keys and compares the decrypted hash to the calculated hash. If the hash comparison fails, the secure boot fails.

5.1.1.3 Chain of Trust

Chain of Trust (CoT) ensures that only authentic/valid images are executed on the platform. The image authentication in CoT is divided into following phases.

- Pre-boot and ISBC:
The validation code embedded in BootROM of a SoC is referred as Internal Secure Boot Code (ISBC). The Root of Trust is already established in ISBC residing in BootROM. ISBC validates next executable code. In NXP provided reference code, next executable is BL2.
- ESBC:
BL2 has the digital signature validation routine (ESBC) embedded in it, which validates the next executable(s) before passing control to it.
External Secure Boot Code (ESBC) is NXP provided reference code available for image validation in the trusted firmware image and the U-Boot image. U-Boot ([Secure U-Boot](#) or [Verified U-Boot](#)) image validates the images it loads. For example, Linux, DTB, MC firmware.
The next executable further validates the next image it needs to pass control to, thus forming a Chain of Trust.

The ESBC phase has the same reference code for all the platforms. However, the pre-boot and ISBC phases vary for different platforms. These platforms can be categorized into two Trust Architecture (TA) types based on the differences.

- TA 2.x or hardware pre-boot loader (PBL) based platforms
- TA 3.x or Service Processor (SP) based platforms

Note: TA refers to Layerscape product line architecture for achieving secure boot, secure storage, and strong partitioning. To use the information in this section, see *QorIQ Trust Architecture 2.x User Guide* or *QorIQ Trust Architecture 3.x User Guide* as applicable to the SoC used. These documents are available only under a non-disclosure agreement (NDA). To request access to these documents, contact your local NXP field applications engineer (FAE) or sales representative.

The table below explains the high-level differences between the two categories of the platforms.

	TA 2.x	TA 3.x
Platforms	LS1021A, LS1043A, LS1046A, LS1012A	LS1088A, LS2088A, LX2160A, LS1028A, LX2162A

	TA 2.x	TA 3.x
Pre-boot phase	PBI command execution done by hardware-based PBL block No authentication of PBI commands	PBI command execution done by ROM code running on Service Processor Authentication of PBI commands done
ISBC phase	Executed in BootROM on Arm GPP core. Authenticates the next level code	Executed on Service Processor Authenticates PBI commands, next level code
CSF header for ISBC phase	0x40 bytes in size Supports 4 SRK keys For details, see Section "TA 2.x platforms - ISBC and ESBC CSF header structure definition, SRK table, SG table "	0x50 bytes in size Supports 8 SRK keys Supports Increment Security State (ISS) flag For details, see Section "TA 3.x platforms - ISBC CSF header structure definition, SRK table, SG table "
ESBC phase	Unlike ISBC, which is in BootROM and cannot be modified, ESBC can be modified by you. ESBC phase functionality is same with differences in CSF headers	
CSF header for ESBC phase	Supports 4 SRK keys For details see Section "TA 2.x platforms - ISBC and ESBC CSF header structure definition, SRK table, SG table "	Supports 8 SRK keys For details, see Section "TA 3.x platforms - ESBC CSF header structure definition"

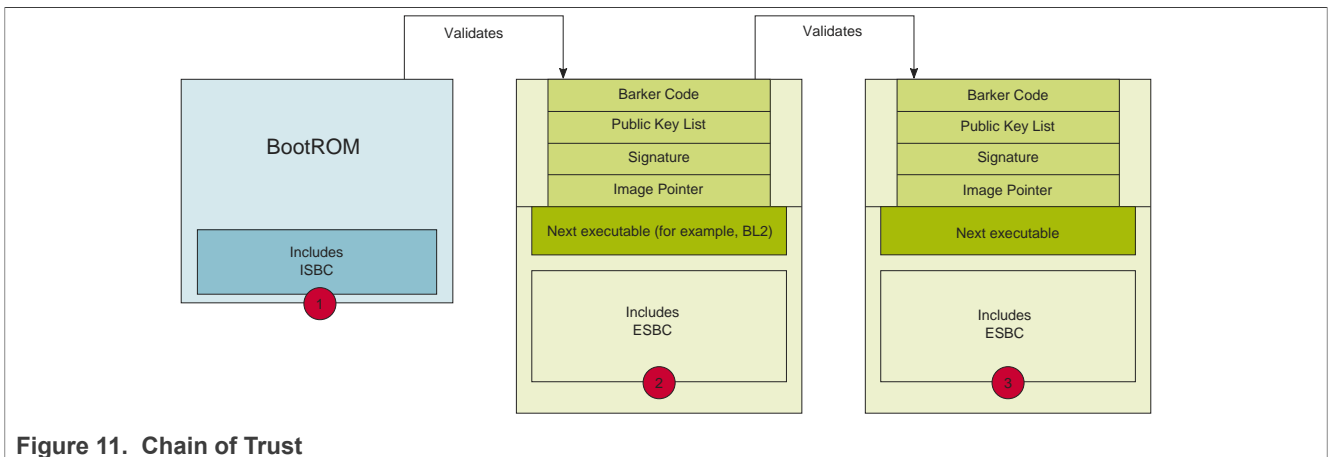


Figure 11. Chain of Trust

To preserve confidentiality of the images, the images can be encrypted and stored as blobs in the flash memory of the device. The validated ESBC U-Boot image can use Cryptographic blob mechanism to create a chain of trust with confidentiality.

For details about Cryptographic blob mechanism and chain of trust with confidentiality, see "Cryptographic blobs" in QorIQ Trust Architecture 3.0 User Guide.

5.1.1.3.1 TA 2.x platforms

5.1.1.3.1.1 Pre-boot phase

In the development phase, set RCW[SB_EN] = 1 to boot the system in secure mode.

In the production phase, set the ITS bit in SFP to ensure that the system operates in secure and trusted manner. After the SFP ITS fuse is blown, it cannot be changed.

Hardware pre-boot loader

The pre-boot initialization commands, also known as PBI, executed by PBL are mandatory for performing secure boot. The PBI must include a command to load a pointer to the ESBC's CSF header in the SCRATCHRW1 register.

The ISBC later reads this register to determine the location of CSF header of next image to be validated. If an alternate image is used, a second PBI command is required to load the pointer to the CSF header of the alternate image, into the SCRATCHRW3 register.

In the reference code provided with Layerscape LDP, irrespective of the boot source, PBI commands are added to RCW to copy the next executable (BL2) from the selected boot source to OCRAM. In case of secure boot, the CSF header for authenticating BL2 is also copied to OCRAM along with BL2 using the PBI commands.

PBI commands are also added to update the location of the OCRAM where CSF header is copied in the SCRATCHRW1 register.

5.1.1.3.1.2 ISBC phase

Note: For details about SecMon, see "7.2 Security Monitor (SecMon)" in *QorIQ Trust Architecture 2.x User Guide*. For details about SFP, see "3.1.2.2 Security fuse processor" in *QorIQ Trust Architecture 2.x User Guide*.

When the SoC is powered on, Master core (CPU0) is released from boot hold off and it starts executing instructions from a hard-coded location in the BootROM. As per the instructions in ISBC, CPU0 performs the following actions:

1. **Who am I check?** - First step is to ensure that CPU0 is out of reset after Power-on Reset (POR), by reading processor ID register. On failure, it enters into a spin loop.
2. **SecMon check** - CPU0 confirms that SecMon is in the Check state. If not, the state of SecMon is transitioned to Fail. And the system enters into fail state.
3. **ESBC pointer read** - CPU0 reads the pointer to the ESBC's CSF header in the SCRATCHRW1 register and then reads the word at the indicated address, which is the first word of the header. If the contents of the word do not match the hard-coded preamble value, the ISBC assumes that it has not found a valid CSF header and cannot proceed. This leads to a fail, as described in #2 above.
4. **CSF header parsing and public key check** - If CPU0 finds a valid CSF header, it parses the CSF header to locate the public key, to be used to validate the code. There can be a single public key or a table of 4 public keys present in the header. The SFP register does not actually store a public key, it stores an SHA-256 hash of the public key/table of 4 keys. This is done to allow support for up to 4096b keys without an excessively large fuse block. If the comparison between SRKH stored in the SFP register and runtime calculated hash over the public key/table fails, the secure boot fails.
5. **Signature validation** - With the validated public key, CPU0 decrypts the digital signature stored at the offset specified in the CSF header. The offset is relative to the start address of CSF header. It then uses the ESBC lengths and pointer fields in the CSF header to calculate a hash over the code. The ISBC checks that the CSF header is included in the address range to be hashed. Option flags in the CSF header tell the ISBC whether the NXP Unique ID (FUID) and the OEM Unique ID (OUID) (in the Secure Fuse Processor) are included in the hash calculation. Including these IDs allows the image to be bound to a single platform. If the decrypted hash and generated hash do not match, secure boot fails.
6. **ESBC Pointer check** - CSF header contains entry point address. If address is in valid range, then SecMon transitions to the Trusted state and control is passed to the Entry point address.
7. In case of failure, for TA 2.x platforms, secondary flag is checked in the CSF header. If set, ISBC reads the alternate image CSF header pointer from the SCRATCHRW3 register and repeats from step 4.

If ISBC fails to validate the ESBC, error code is written in the SCRATCHRW2 register. If you have debug access, you can check the SCRATCHRW2 register to obtain an error code. For a list and description of error code, see [ISBC Validation Error Codes](#)

TA 2.x platforms - ISBC and ESBC CSF header structure definition, SRK table, SG table

The CSF header provides ISBC and ESBC with most of the information required to validate the image.

Note: Note that the CSF header differs for LS1021A vs. the other TA 2.x based platforms (LS1043A/LS1046A/LS1012A).

The following figure shows the differences in the CSF header fields in the ISBC and ESBC phases, for LS1043A/LS1046A/LS1012A.

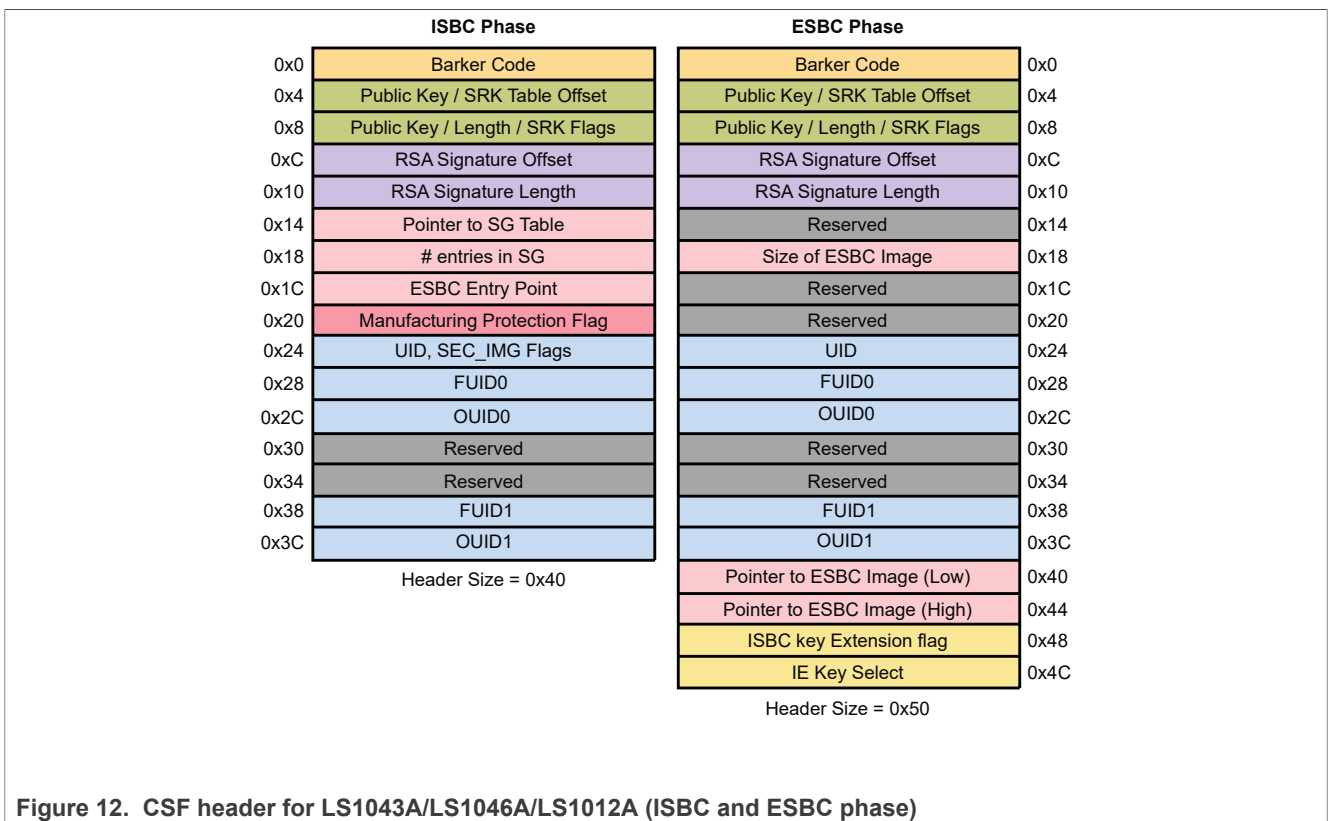


Figure 12. CSF header for LS1043A/LS1046A/LS1012A (ISBC and ESBC phase)

CSF header format (LS1043A/LS1046A/LS1012A platforms)

Offset	Data bits [0:31]
0x00	Barker code This field should contain the value: 0x68392781. The ISBC code searches for this Barker code. If the value in this field does not match the Barker code, the ISBC stops execution and reports error.
0x04	If srk_table_flag is not set: <ul style="list-style-type: none"> Public key offset: This field contains an address which is the offset of the public key from the start of the CSF header. Using this offset and the public key length, the public key is read. If srk_table_flag is set: <ul style="list-style-type: none"> SRK table offset: This field contains an address which is the offset of the SRK table from the start of the CSF header. Using this offset and the number of entries in the SRK table, the SRK table is read.

Offset	Data bits [0:31]
0x08	<p>0x08: srk_table_flag This flag indicates whether the hash burnt in SRK fuse is of a single key or of the SRK table.</p> <ul style="list-style-type: none"> • srk_table_flag = 1: Indicates SRK table is present • srk_table_flag = 0: Indicates SRK table is not present, only single key is present <p>0x0b-0x09: If srk_table_flag is not set:</p> <ul style="list-style-type: none"> • 0x0b-0x09 - Public key length, this field contains the length of the public key in bytes. <p>If srk_table_flag is set:</p> <ul style="list-style-type: none"> • 0x09 – Key number from SRK table, which is to be used for verification. • 0x0b-0x0a – Number of entries in SRK table. Minimum number of entries in table = 1, Maximum = 4.
0x0c	<p>RSA signature offset This field contains an offset (in bytes) of the RSA signature from the start of the CSF header. Using this offset and the signature length, the RSA signature is read. The RSA signature is calculated over CSF header, SG table, and ESBC images.</p>
0x10	RSA signature length in bytes.
0x14	<p>For ISBC phase: SG table offset This field contains an address which is the offset of the SG table from the start of the CSF header. Using this offset and the number of entries in the SG table, the SG table is read.</p> <p>For ESBC phase: Reserved</p>
0x18	<p>For ISBC phase: Number of entries in SG table (Based on the SG table flag in the CSF header, this field shall either be treated as number of entries in the SG table or the ESBC image size in bytes). SG table flag indicates whether the SG table is present or not.</p> <p>For ESBC phase: Size of image to be validated.</p>
0x1c	<p>For ISBC phase: ESBC entry point. ISBC transfers control to this field upon successful validation of ESBC image(s).</p> <p>For ESBC phase: Reserved</p>
0x20	<p>Manufacturing Protection flag Indicates if manufacturing protection has to be enabled or not in ISBC.</p> <ul style="list-style-type: none"> • mp_flag[16:31] - Manufacturing Protection flag • sg_flag[0:15] - SG table flag <p>For ESBC phase: Reserved</p>
0x24	<p>For ISBC phase: UID For ESBC phase: UID</p>
0x25	<p>For ISBC phase: Secondary image flag Indicates if user has a secondary image available in case of failure in validating the primary image.</p> <p>For ESBC phase: Reserved</p>
0x27-0x26	<p>Unique ID usage This field contains a flag which indicates whether to compare FUID and OUID in the CSF header field with values in SFP registers: SFP_FUIDRn, SFP_OUIDRn</p>

Offset	Data bits [0:31]
	<ul style="list-style-type: none"> • 0x00 - No comparison done • 0x01 - Both FUID and OUID are compared • 0x02 - Only FUID is compared • 0x04 - Only OUID is compared
0x28	<p>FUID0 If the flag is set, this value is compared to corresponding FUID0 register.</p>
0x2c	<p>OUID0 If the flag is set, this value is compared to corresponding OUID0 register.</p>
0x30	Reserved
0x34	Reserved
0x38	<p>FUID1 If the flag is set, this value is compared to corresponding FUID1 register.</p>
0x3c	<p>OUID1 If the flag is set, this value is compared to corresponding OUID1 register.</p>
0x40	<p>For ISBC phase: Not Applicable For ESBC phase: Lower 32 bits of 64 bits ESBC image address</p>
0x44	<p>For ISBC phase: Not Applicable For ESBC phase: Higher 32 bits of 64 bits ESBC image address</p>
0x48	<p>For ISBC phase: Not Applicable For ESBC phase: ISBC key extension flag If this flag is set, key to be used for validation needs to be picked up from the IE key table.</p>
0x4c	<p>For ISBC phase: Not Applicable For ESBC phase: IE key select Key Number to be used from the IE key table if ISBC key extension flag is set.</p>

The following figure shows the differences in the CSF header fields in the ISBC and ESBC phases, for LS1021A:

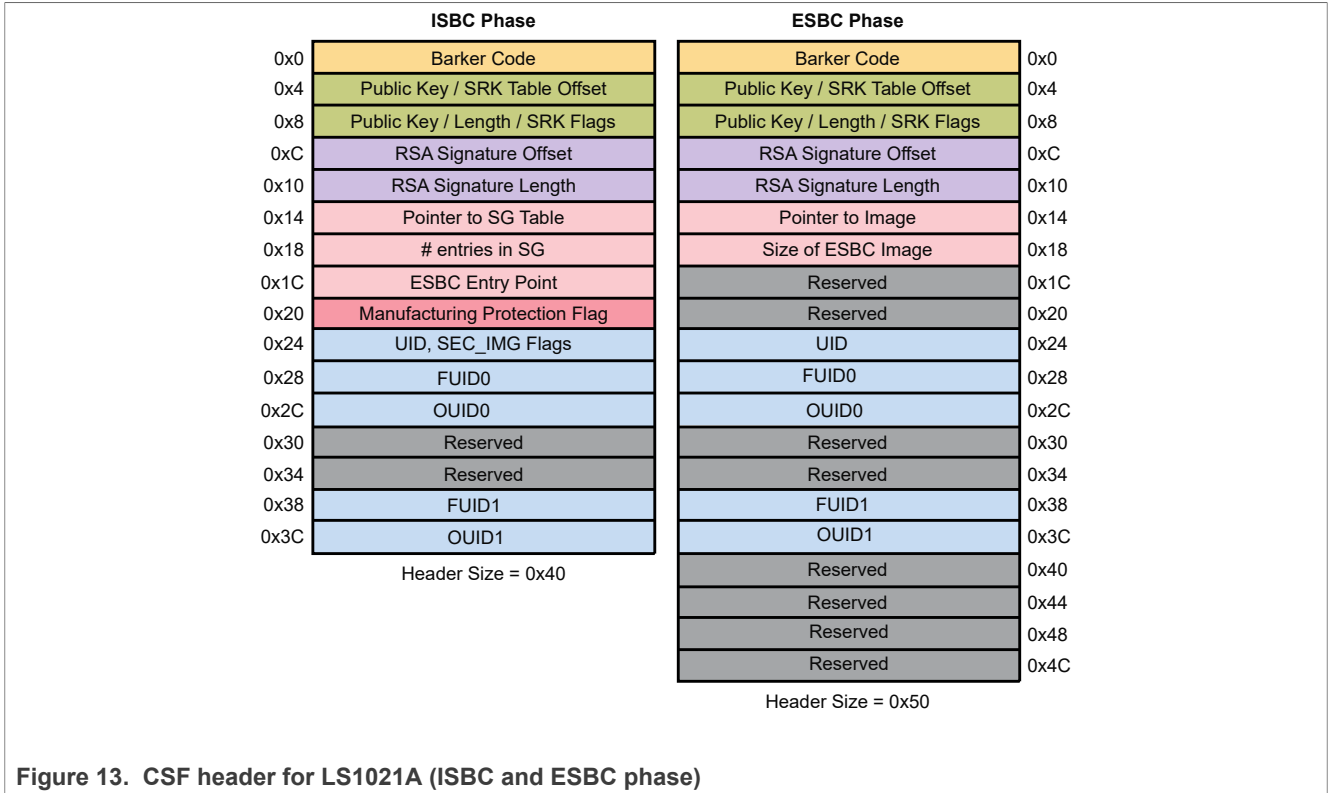


Figure 13. CSF header for LS1021A (ISBC and ESBC phase)

Table 24. CSF header format (LS1021A platform)

Offset	Data bits [0:31]
0x00	Barker code. This field should contain the value: 0x68392781. The ISBC code searches for this Barker code. If the value in this field does not match the Barker code, the ISBC stops execution and reports error.
0x04	If srk_table_flag is not set: <ul style="list-style-type: none"> • Public key offset: This field contains an address, which is the offset of the public key from the start of the CSF header. Using this offset and the public key length, the public key is read. If srk_table_flag is set: <ul style="list-style-type: none"> • SRK table offset: This field contains an address, which is the offset of the SRK table from the start of the CSF header. Using this offset and the number of entries in the SRK table, the SRK table is read.
0x08	srk_table_flag This flag indicates whether hash fused in the SRKH register is of a single key or of SRK table. <ul style="list-style-type: none"> • srk_table_flag = 1: Indicates SRK table is present • srk_table_flag = 0: Indicates SRK table is not present, only single key is present
0x0b-0x09	If srk_table_flag is not set: <ul style="list-style-type: none"> • 0x0b-0x09 -- Public key length: This field contains the length of the public key in bytes. If srk_table_flag is set: <ul style="list-style-type: none"> • 0x09 – This field contains Key number from SRK table which is to be used for verification. • 0x0b-0x0a – This field contains the Number of entries in SRK table. Minimum number of entries in table = 1, Maximum = 4.
0x0c	RSA Signature offset. This field contains an offset (in bytes) of the RSA signature from the start of the CSF header. Using this offset and the Signature length, the RSA signature is read.

Table 24. CSF header format (LS1021A platform)...continued

Offset	Data bits [0:31]
0x10	RSA Signature length in bytes.
0x14	For ISBC phase: SG Table offset This field contains an address which is the offset of the SG table from the start of the CSF header. Using this offset and the number of entries in the SG table, the SG table is read. For ESBC phase: Address of the image to be validated.
0x18	For ISBC phase: Number of entries in SG table (Based on the SG table flag in the CSF header, this field shall either be treated as the number of entries in the SG table or the ESBC image size in bytes). SG table flag indicates whether the SG table is present or not. For ESBC phase Size of image to be validated.
0x1c	For ISBC phase: ESBC entry point ISBC transfers control to this field upon successful validation of the ESBC image(s). For ESBC phase: Reserved
0x20	Manufacturing Protection flag Indicates if manufacturing protection has to be enabled or not in ISBC. <ul style="list-style-type: none"> mp_flag[16:31] - Manufacturing Protection flag sg_flag[0:15] - SG table flag For ESBC phase: Reserved
0x24	For ISBC phase: UID For ESBC phase: UID
0x25	For ISBC phase Secondary Image flag Indicates if user has a secondary image available in case of failure in validating the primary image. For ESBC phase: Reserved
0x27-0x26	Unique ID Usage This field contains a flag which indicates whether to compare FUID and OUID in the CSF header field with values in SFP registers: SFP_FUIDRn, SFP_OUIDRn <ul style="list-style-type: none"> 0x00 - No comparison done 0x01 - Both FUID and OUID are compared 0x02 - Only FUID is compared 0x04 - Only OUID is compared
0x28	FUID0 If the flag is set, this value is compared to corresponding FUID0 register.
0x2c	OUID0 If the flag is set, this value is compared to corresponding OUID0 register.
0x30	Reserved
0x34	Reserved
0x38	FUID1 If the flag is set, this value is compared to corresponding FUID1 register.
0x3c	OUID1

Table 24. CSF header format (LS1021A platform)...continued

Offset	Data bits [0:31]
	If the flag is set, this value is compared to corresponding OUID1 register.
0x40	For ISBC Phase: Not Applicable For ESBC Phase: Reserved
0x44	For ISBC Phase: Not Applicable For ESBC Phase: Reserved
0x48	For ISBC phase: Not Applicable For ESBC phase: Reserved
0x4c	For ISBC phase: Not Applicable For ESBC phase: Reserved

The SG table supports 8 images and each image entry is in this format {Len, target, src_addr, dst_addr}

Table 25. SG table format

Offset	Data Bits [0:31]
0x00	Length. This field specifies the length in bytes of the ESBC image.
0x04	Target where the ESBC Image can be found. This field is ignored for TA 2.x platforms.
0x08	Source Address of ESBC Image
0x0c	Destination Address of ESBC Image If the target address is 0xffffffff, the image is not copied to the target. This field is ignored for TA 2.x platforms.

The SRK table for TA 2.x stores 4 keys. The size of key value fields of each key is 0x400.

Table 26. SRK table

Offset	Data Bits [0:31]
0x00	Key 1 length
0x04	Key 1 value. (Remaining bytes shall be padded with zero)
0x404	Key 2 length
0x408	Key 2 value. (Remaining bytes shall be padded with zero)
0x808	Key 3 length
0x80c	Key 3 value. (Remaining bytes shall be padded with zero)
0xc0c	Key 4 length
0xc10	Key 4 value. (Remaining bytes shall be padded with zero)

Super Root Keys (SRKs) and signing keys

These are RSA public and private key pairs. Private keys are used to sign the boot images and public keys are used to validate these images during ISBC and ESBC phases.

Public keys are embedded in the image and the calculated hash value of the SRK table must be fused into the SRKH registers of SFP.

These are hardware bound keys. Once the hash is fused, the public-private key pair cannot be modified as the content of the SFP registers is non-editable.

The secure boot process supports keys of sizes 1k, 2k, and 4k.

Note that it is important to control access to the RSA private signature key. If the key is exposed, attackers can generate alternate images that will pass secure boot.

If the key is lost, you will not be able to update the images.

Key revocation

TA 2.x supports revocation of the RSA public keys used by ISBC for verification of ESBC. The RSA public keys used for this purpose are called Super Root Keys (SRKs).

You can use either a single key or a list of up to 4 SRKs in the TA 2.x platforms.

You need to define in CST, if the device uses a single SRK or a list of SRKs. If the device uses single SRK, a new flag bit in the CSF header indicates `key`, otherwise the flag bit indicates `key List`.

Assuming that device is using the list of SRKs, the user can populate a list of up to 4 SRKs for TA 2.x onwards platforms and can calculate an SHA-256 hash over the list. This hash is written to the SRKH registers in the SFP.

As a step in the code signing process, you need to define which key in the key list is to be used for validating the image. This key number is included as a new field in the CSF header.

During secure boot, the ISBC determines whether a key list is in use. If the key list is valid, the ISBC checks the key number indicated in the CSF header against the revocation fuses in the SFP's OEM Security Policy Register (SFP_OSPPR). If the key is revoked, the image validation fails.

Note:

In order to prevent unauthorized revocation of keys, SFP provides a bit (Write Disable). If the bit is set, the Key revocation bits cannot be written to.

In regular operation, the ESBC (early Trusted S/W) needs to set the SFP Write Disable bit. When circumstances call for revoking a key, the user will use an ESBC image with "Write Disable" bit not set. So, the SFP will be in a state in which key revocation fuses can be set.

Logically after revoking the required key(s), the user would then load a new signed ESBC image with code to set the "Write Disable" bit, with new CSF header indicating which of the remaining non-revoked key to use.

So, only the possessor of a legitimate RSA private key can enable key revocation.

One possible motivation for a user to revoke an SRK is the loss of the associated RSA private key to an attacker. If the attacker has gained access to a legitimate RSA private key, and the attacker can turn on power to the fuse programming circuitry, then the attacker could maliciously revoke keys. To prevent this from being used to permanently disable the system, one SRK does not have an associated revocation fuse.

For details about key revocation, see *QorIQ Trust Architecture 2.x User Guide*.

Alternate image support

If ISBC fails to find a valid image at the primary image location, it can optionally check an alternate location for an alternate image.

To execute, the alternate image must be validated using a non-revoked public key as defined by its CSF header. A valid alternate image has same rights and privileges as a valid primary image.

The alternate image support reduces any risks due to corruption of the primary image or wearing out of the flash memory.

To enable this feature:

- Add PBI command to load pointer to the alternate image CSF header in the SCRATCHRW3 register.

5.1.1.3.1.3 ISBC validation error codes

Errors in the system can be of following types:

1. Core exceptions
2. System State failures
3. Header Checking failures
 - a. General failures
 - b. Key/Signature/UID related errors
4. Verification failures
5. SEC/PAMU errors

Table 27. Core exceptions (LS1021A platform)

Value	Code	Definition
0x1	ERROR_UNDEFINED_INSTRUCTION	Occurs if neither the processor nor any attached coprocessor recognizes the currently executing instruction.
0x2	ERROR_SWI	Software Interrupt is a user-defined interrupt instruction. It allows a program running in User mode, for example, to request privileged operations that run in Supervisor mode.
0x3	ERROR_PREFETCH_ABORT	Occurs when the processor attempts to execute an instruction that has been prefetched from an illegal address.
0x4	ERROR_DATA_ABORT	Occurs when a data transfer instruction attempts to load or store data at an illegal address.
0x5	ERROR_IRQ	Occurs when the processor external interrupt request pin is asserted (LOW) and IRQ interrupts are enabled.
0x6	ERROR_FIQ	Occurs when the processor external fast interrupt request pin is asserted (LOW) and FIQ interrupts are enabled.

Table 28. Key/Signature/UID related errors (TA 2.x platforms)

Value	Code	Definition
0x320	ERROR_ESBC_HEADER_KEY_LEN	Length of public key in header is not one of the supported values.
0x321	ERROR_ESBC_HEADER_KEY_LEN_NOT_TWICE_SIG_LEN	Public key is not twice the length of the RSA signature
0x322	ERROR_ESBC_HEADER_KEY_MOD_1	Most significant bit of modulus in header is zero.
0x323	ERROR_ESBC_HEADER_KEY_MOD_2	Modulus in header is even number
0x324	ERROR_ESBC_HEADER_SIG_KEY_MOD	Signature value is greater than modulus in header
0x325	ERROR_FSL_UID	FSL_UID in ESBC Header did not match the FSL_UID in SFP if FSL UID flag is 1
0x326	ERROR_OEM_UID	OEM_UID in ESBC Header did not match the OEM_UID in SFP if OEM UID flag is 1
0x327	ERROR_INVALID_SRK_NUM_ENTRY	Number of entries field in CSF header is > 4 (This is when srk_table_flag in header is 1)
0x328	ERROR_INVALID_KEY_NUM	Key number to be used from SRK table is not present in table.(This is when srk_table_flag in header is 1)

Table 28. Key/Signature/UID related errors (TA 2.x platforms)...continued

Value	Code	Definition
0x329	ERROR_KEY_REVOKED	Key selected from SRK table has been revoked (This is when srk_table_flag in header is 1)
0x32a	ERROR_INVALID_SRK_ENTRY_KEYLEN	Key length specified in one of the entries in SRK table is not one of the supported values (This is when srk_table_flag in header is 1)
0x32b	ERROR_SRK_TBL_NOT_IN_3_5	SRK table is not in 3.5G boundary (This is when srk_table_flag in header is 1)
0x32b	ERROR_SRK_TBL_ON_OCRAM	SRK table is on OCRAM
0x32c	ERROR_KEY_NOT_IN_3_5G	Key is not in 3.5G boundary
0x32c	ERROR_KEY_ON_OCRAM	Key on OCRAM

Table 29. Verification failures (TA 2.x platforms)

Value	Code	Definition
0x340	ERROR_HASH_COMPARE_KEY	Super Root Key Hash Comparison failure. Mismatch in the hash of the public key/SRK table as present in the header with the value in the SRKH fuse.
0x341	ERROR_HASH_COMPARE_EM	RSA signature check failure. Signature provided by you in the header doesn't match with the signature of the ESBC image generated by ISBC. The ESBC image loaded by you may be different than the image used while generating the signature(using CST)
0x350	ERROR_PRIVATE_KEY_DERIVATION	Error in derivation of manufacturing private key when MP flag in CSF header is set

Table 30. Device error codes (TA 2.x platforms)

Value	Code	Definition
ESDHC errors		
0x500	ERROR_ESDHC_CARD_DETECT_FAIL	Card detection failed
0x501	ERROR_ESDHC_UNUSABLE_CARD	Card not responding to CMDs
0x502	ERROR_ESDHC_COMMUNICATION_ERROR	Card did not reply to CMD and timeout occurred
0x503	ERROR_ESDHC_READ_UNALIGNED	Address should be block length align
eSPI errors		
0x600	ERROR_ESPI_READID	Invalid FLASH ID
0x601	ERROR_ESPI_BOOT_SIGN	BOOT signature mismatch
0x602	ERROR_ESPI_READ_TIMEOUT	Read timeout occurred
CAAM errors		
0x700	ERROR_SEC_ENQ	Error when enqueueing to SEC
0x701	ERROR_SEC_DEQ	Sec Block returned some error when dequeuing from it.
0x702	ERROR_SEC_DEQ_TO	Timeout when trying to deq from SEC

Table 30. Device error codes (TA 2.x platforms)...continued

Value	Code	Definition
0x800	ERROR_PAMU	Error while programming PAACT/SPAACT tables in PAMU (For PowerPC platforms only)

5.1.1.3.2 TA 3.x platforms

5.1.1.3.2.1 Pre-boot and Internal Secure Boot Code (ISBC) phase

In the development phase, set RCW[SB_EN] = 1 to boot the system in secure mode.

In the production phase, set the ITS bit in SFP to ensure that the system operates in secure and trusted manner. Once the SFP ITS fuse is blown, it cannot be changed.

The Service Processor is the first bus master that executes when the device exits reset. It is the starting point for the secure boot chain of trust.

The Service Processor executes the PBI commands. The ISBC residing in Service Processor validates the PBI commands before execution. The ISBC also validates BL2 and releases the SoC’s Armv8 master core (CPU 0) to execute the validated BL2.

The main steps in the ISBC flow are defined below.

TA 3.x platforms - ISBC CSF header structure definition, SRK table, SG table

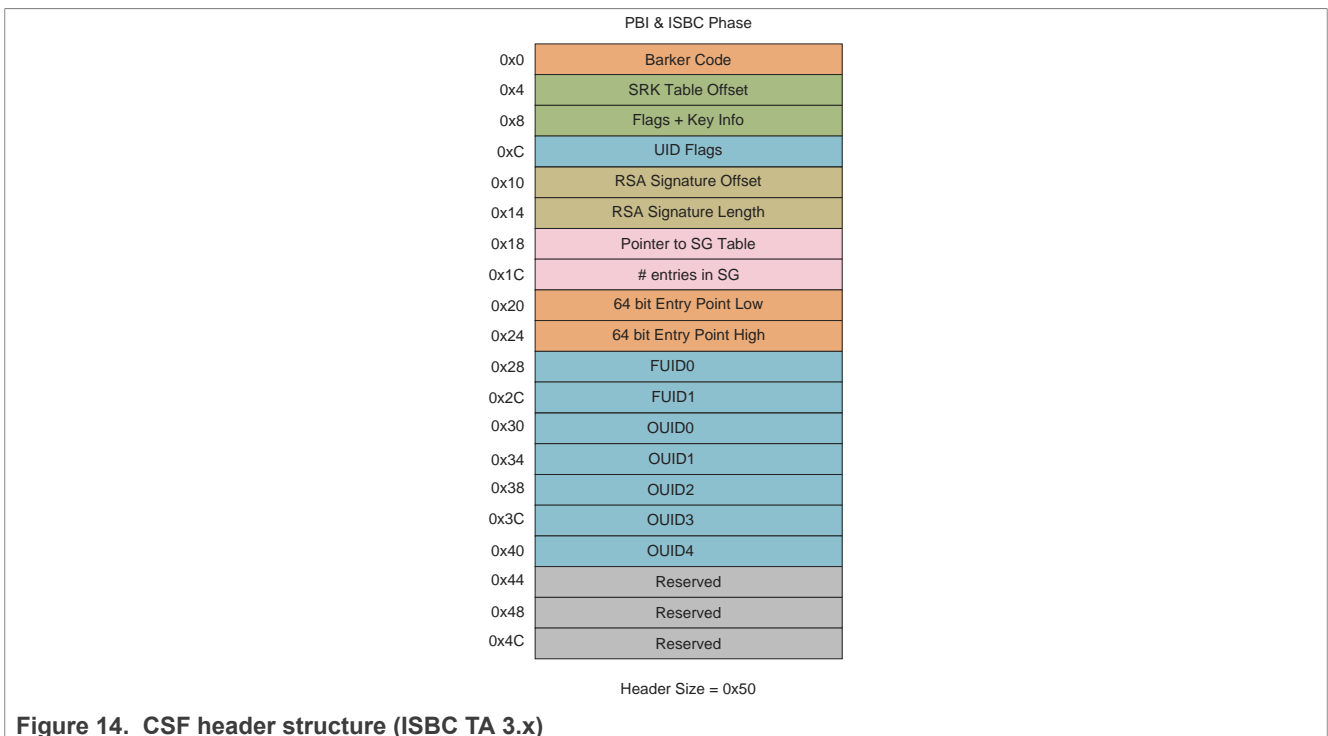


Figure 14. CSF header structure (ISBC TA 3.x)

Table 31. CSF header structure (ISBC TA 3.x)

Offset	Description
0x00	Barker code

Table 31. CSF header structure (ISBC TA 3.x)...continued

		Fixed value which the ISBC uses to confirm it has located the start of a CSF header. (0x12192001 in big endian) 0x00 – 0x12 0x01 – 0x19 0x02 – 0x20 0x03 – 0x01 It is numeric encoding of LSTA (LS Series Trust Architecture)
0x04		SRK table offset This field contains an address which is the offset of the SRK table from the start of CSF header. Using this offset and the number of entries in the SRK table, the SRK table is read.
0x08	0x08	No. of keys This field specifies the no. of keys in the SRK table
	0x09	Key No. for verification Key number from the SRK table used by ISBC to verify the image signature.
	0x0a	Reserved
	0x0b	IE[0]: ISBC Extension (Reserved) MP[4]: Execute Manufacturing Protection Routine ISS[5]: Increment Security State; indicates whether the ISBC should increment the SNVS SSM upon successful verification B01[6]: Identifies whether this is the CSF header of a boot 0 image (PBI) or a BL2 LW[7]: Leave writable; when set, ISBC does not set the SFP Write Disable
0x0C	0x0C	Reserved
	0x0D	Reserved
	0x0E	Reserved
	0x0F	OID[0:1]: Reserved OID[2:6]: when set, the corresponding OEM UID field in the SFP is included in the digital signature verification. For each bit set, the corresponding OUID field is included in the CSF header. FUID[7]: when set, the 64b FUID is included in the digital signature verification and the FUID is included in the CSF header.
0x10		RSA signature offset This field contains an address which is the offset of the RSA signature from the start of CSF header. Using this offset and the signature length, the RSA signature is read. The RSA signature is calculated over CSF header, SG table, and ESBC images.
0x14		RSA signature length This field contains the length of the RSA signature in bytes.
0x18		SG table offset This field contains an address which is the offset of the SG table from the start of CSF header. Using this offset and the number of entries in SG table, the SG table is read.
0x1C		No. of entries This field specifies the number of entries present in SG table.
0x20		Entry point (64 bit) ISBC transfers control to this field upon successful validation of ESBC image(s).
0x28		FUID0
0x2c		FUID1

Table 31. CSF header structure (ISBC TA 3.x)...continued

0x30	UUID0
0x34	UUID1
0x38	UUID2
0x3c	UUID3
0x40	UUID4
0x44	Reserved
0x48	Reserved
0x4C	Reserved

The SRK table for TA 3.x stores 8 keys. The size of key contents of each key is 0x400. The following table shows the SRK table structure for Key 1 and Key 2.

Table 32. SRK table structure

Offset	Description
0x00	Key 1 length
0x04	Key 1 content (Modulus, Exponent, Exponent+Modulus)
0x404	Key 2 length
0x408	Key 2 content (Modulus, Exponent, Exponent+Modulus)

Table 33. SG table structure

Offset	Description
0x00	Length
0x04	Reserved
0x08	SRC Address Low
0x0C	SRC Address High

ISBC for PBI validation

Note: For details about SecMon, see "9.2 Security Monitor (SecMon)" in QorIQ Trust Architecture 3.x User Guide. For details about SFP, see "3.1.2.2 Security fuse processor" in QorIQ Trust Architecture 3.x User Guide.

- SecMon check:** Confirms that SecMon is in the Check state (OTPMK is fused). If SecMon is not in the Check state, the SecMon is transitioned to the Fail state. And the system enters into fail state.
- PBI command check:** Verifies that the first PBI command is 'Load Boot 1 CSF Header Ptr'. If not found, an error is raised.
- Valid header check:** Checks for a valid preamble in the header. If valid preamble is not available, an error is raised.
- CSF parsing and public key check:** If ISBC finds a valid CSF header, it parses the CSF header to locate the public key, from the SRK table, to be used to validate the code. The header can include an SRK table of maximum 8 public keys. The SFP hash register in SFP does not store a public key, it stores an SHA-256 hash calculated over the SRK table in the fuses. If the hash of the SRK table fails to match the stored hash, secure boot fails.
- Signature validation:** With the validated public key, ISBC decrypts the hash or digital signature stored in the CSF header. The ISBC then uses the PBI length field in the RCW to calculate a hash over all PBI commands (CSF header is also a part of PBI commands) along with the SRK table. Optional flags in the CSF header tell the ISBC whether the FSL Unique ID (FUID) and the OEM Unique ID (OUID in SFP are to

be checked or not. Including these IDs allows the image to be bound to a single platform. If the decrypted hash and the calculated hash do not match, the secure boot fails.

6. **SecMon Transition:** If the Increment Security State (ISS) flag is set in the header, ISBC transitions the SNVS state from `Check` to `Trusted`.

Note:

1. If ISBC fails to validate the PBI, check the `SCRATCHRW3` register with a JTAG debugger to obtain an error code. If ISBC fails to validate the alternate image, the corresponding error code can be found in the `SCRATCHRW4` register. For a list of error codes, see [ISBC Validation Error Codes](#).

PBI structure

The following table shows an overview of the recommended PBI format as generated by Layerscape LDP.

	Fields	Offset	Size (In 32-bit words)
RCW	Preamble (RCW)	0x00	1
	Load RCW command	0x04	1
	RCW words	0x08 – 0x87	32
	RCW checksum	0x88	1
PBI commands	Load security header	0x8c	1
	CSF header	0x90 – 0xdf	20
	Load boot 1CSF header	0xe0	1
	Boot 1 pointer	0xe4	1
	Other PBI commands	0xe8	N
	STOP command (With/ Without CRC)	0xe8 + (4*N)	2
SRK table	SRK table	0x90 + SRK table offset in CSF header	(No. of keys * Key content length)
RSA signature	Signature	0x90 + Sign offset in CSF header	Sign length

RCW	Preamble	The preamble is always the first element in a PBI image. It contains a standard pattern that identifies the memory location as the beginning of a valid PBI image. The preamble is a 4-byte pattern defined as "0xaa, 0x55, 0xaa, 0x55".
	Load RCW command	The next word is load RCW command. This command loads the 1024-bit Reset Configuration Word (RCW) from the interface specified by Power-on-Reset (POR) configuration strapping pins. It has the following two formats. <ul style="list-style-type: none"> • Load RCW with checksum (0x10): Read Reset Configuration Word performs simple 32-bit checksum, and update RCW registers. • Load RCW without checksum (0x11): Read RCW and update RCW registers without performing checksum. The version without the checksum includes padding with zeroes in the place of the checksum value.
	RCW words	1024 RCW bits that are 32 words of 32 bits.
	RCW checksum	It is calculated as a 32-bit unsigned integer summation of the RCW Preamble, the Load RCW with checksum command, and each of the

		<p>32 words (32-bit) of the RCW. A simple 32-bit checksum is used for the validation of the command.</p> <pre>checksum(RCW_WORD[]) { unsigned_32 sum = 0xAA55AA55 + 0x80100000 + Load RCW Command; for(i=0; i<32; i++) sum+=RCW_WORD[i]; return (sum); }</pre> <p>Note: Checksum has to be updated by the CST tool as the fields like RCW[SB_EN], RCW[PBI_LEN] in the RCW words are changed.</p>
PBI commands	Load security header	This command loads information required for authentication of the PBI image. The security header includes pointers to an SRK key table and RSA signatures as well as other flags and IDs. The CSF header is part of the command. Refer the CSF header structure in Trust 3.x devices - ISBC CSF header structure definition, SRK table, SG table..
	Load boot 1 CSF header	This command loads a pointer to the CSF header used for authentication of the Boot 1 Secondary Program Loader. This 32-bit value is used by the Boot 0 ISBC and is required for secure boot.
	Other PBI commands	Other PBI commands input by user.
	STOP command	<p>This command ends the PBI sequence and has two variants (with and without CRC). The CRC check value covers all commands from the first command after the RCW up to and including this CRC and Stop command, regardless of whether any are skipped by Jump commands during execution.</p> <p>In Stop command without CRC, it ends the PBI sequence immediately. It does not include a CRC value, but it instead has a 32-bit padding with zeroes so that it is the same size as the Stop with CRC command.</p> <p>Note: CST tool updates the PBI commands by adding Load Security Header command and Load Boot 1 Security Header command. So, CRC must also be updated.</p>
SRK table		Table of public keys is used in secure boot validation. It is kept at an offset from the CSF header. The offset is specified in the CSF header.
RSA signature		RSA signature is calculated over all PBI commands and SRK table. It is kept at an offset from the CSF header. The offset is specified in the CSF header.

ISBC for next executable (BL2) validation

- Valid header check:** Check for a valid preamble in the header. If no valid preamble is present in the header, an error is raised.
- CSF parsing and public key check:** If ISBC finds a valid CSF header, it parses the CSF header to locate the public key, from the SRK table, to be used to validate the code. The header can include an SRK table of maximum 8 public keys. The SFP hash register in SFP does not store a public key, it stores an SHA-256 hash calculated over the SRK table in the fuses. If the hash of the SRK table fails to match the stored hash, secure boot fails.
- Signature validation:** With the validated public key, ISBC decrypts the digital signature stored in the CSF header. The ISBC then calculates and checks the hash over the CSF, the SRK table, the SG table and all entries the SG table points to. If the decrypted hash and the calculated hash do not match, the secure boot fails.
- Entry Point check:** CSF header contains entry point address. If the address is in the valid range, then Entry point is updated in the Boot Location Pointer (BOOTLOCPTRL/BOOTLOCPTRH) register.

- 5. **SecMon Transition:** If the Increment Security State (ISS) flag is set in the header, ISBC transitions the SNVS state from `Check` to `Trusted` or `Trusted` (if transitioned in the PBI validation phase) to `Secure`.

Note:

1. When ISBC ends, Entry Point parsed from header is written to the `BOOTLOCPTRL/BOOTLOCPTRH` register.
2. GPP wakes up.
3. Service Processor goes to sleep.

If ISBC fails to validate the BL2, check the `SCRATCHRW3` register with a JTAG debugger to obtain an error code. If ISBC fails to validate the alternate image, the corresponding error code can be found in the `SCRATCHRW4` register. For a list of error codes, see [ISBC Validation Error Codes](#).

5.1.1.3.2.2 ISBC validation error codes

Error handling in production environment (ITS = 1)

- Error codes are logged in the DCFG SCRATCH register.
- SNVS transitions to the **soft fail** state.
- LED is activated. If you have implemented an LED to indicate secure boot failure, the LED is connected to a GPIO. The information of GPIO is specified via bits in RCW.

GPIO_LED_EN Bit(s): 311
 The SP BootROM code sequence turns on the LED (if `RCW[GPIO_LED_EN] = 1`) by configuring one GPIO direction (GPDIR) register bit as an output and writing the corresponding output in a GPIO block data (GPDAT) register.

GPIO_LED_NUM Bnoit(s): 310-304
 If `GPIO_LED_EN` is set, these bits specify the GPIO number to which LED is connected.
 - 0x1f - 0x00 : `GPIO_1`
 - 0x3f - 0x20 : `GPIO_2`
 - 0x5f - 0x40 : `GPIO_3`
 - 0x7f - 0x60 : `GPIO_4`

- Soft reset is issued
- Cores then enters in infinite loop (If Reset is disabled)¹

Error handling in development environment (ITS = 0, RCW[SB_EN] = 1)

- Error codes are logged in the DCFG SCRATCH register.
- SNVS transitions to the **non-secure** state.
- Further actions depends on the type of failure:

Fatal Error Core in infinite Loop
Non-Fatal Error Application software is allowed to execute

Error codes

The error codes reported by SP BootROM are categorized as follows:

¹ To debug the root cause of failure and view the error code, Reset has to be disabled on the SoC.

- Core exceptions
- Device errors
- RCW/PBI errors
- Validation errors

Table 34. ISBC error codes

When error generated	Error code	Value	Description
Core exceptions			
Random	ERROR_UNDEFINED_INSTRUCTION	0x1	Occurs if neither the processor nor any attached co-processor recognizes the currently executing instruction.
Random	ERROR_SWI	0x2	Software Interrupt is a user-defined interrupt instruction. It allows a program running in User mode, for example, to request privileged operations that run in Supervisor mode.
Random	ERROR_PREFETCH_ABORT	0x3	Occurs when the processor attempts to execute an instruction that has been prefetched from an illegal address.
Random	ERROR_DATA_ABORT	0x4	Occurs when a data transfer instruction attempts to load or store data at an illegal address.
Random	ERROR_IRQ	0x5	Occurs when the processor external interrupt request pin is asserted (LOW) and IRQ interrupts are enabled.
Random	ERROR_FIQ	0x6	Occurs when the processor external fast interrupt request pin is asserted (LOW) and FIQ interrupts are enabled.
Device errors – ESDHC			
Random	ERROR_ESDHC_CARD_DETECT_FAIL	0x31	When SD card detection fail
Random	ERROR_ESDHC_UNUSABLE_CARD	0x32	When SD card does not respond to initialization commands
Random	ERROR_ESDHC_COMMUNICATION_ERROR	0x33	For all SD card read/write errors
Random	ERROR_ESDHC_BLOCK_LENGTH	0x34	When SD card read block length is greater than 0x400
Device errors – FlexSPI			
Random	ERROR_FLEXSPI_NOR_INVALID_OFFSET	0x41	Occurs when NOR offset or offset + read_size is greater than 0xFFFFFFFF

Table 34. ISBC error codes...continued

When error generated	Error code	Value	Description
Random	ERROR_FLEXSPI_NAND_INVALID_OFFSET	0x42	Occurs when NAND offset or offset + read_size is greater than 0xFFFFFFFF
Random	ERROR_FLEXSPI_INVALID_ADDR	0x43	Occurs when NAND get status IPCMD sfar address is not correct
Random	ERROR_FLEXSPI_TIMEOUT	0x44	Occurs when NAND get status IPCMD timeouts
Random	ERROR_FLEXSPI_NAND_BBT_FULL	0x45	Occurs when bad block table is FULL, that is 256 bad blocks are found
Random	ERROR_FLEXSPI_NAND_PAGE_READ_TIMEOUT	0x46	Occurs when NAND page read timeouts
Random	ERROR_FLEXSPI_NAND_IPCMD_DONE_TIMEOUT	0x47	Occurs when NAND IPCMD done bit is not set and timeouts
Random	ERROR_FLEXSPI_NAND_IP_IDLE_TIMEOUT	0x48	Occurs when NAND IP BUS is not idle
Phase = RCW			
RCW Phase	ERROR_PREAMBLE	0x50	Preamble not found.
RCW Phase	ERROR_RCW_CMD_NOT_FOUND	0x51	RCW command not found
RCW Phase	ERROR_RCW_CHECKSUM_MISMATCH	0x52	Checksum mismatch in RCW
RCW Phase	ERROR_RCW_SRC_INVALID	0x58	RCW_SRC is not a valid source
RCW Phase	ERROR_RCW_REQ_NOT_SET	0x59	RCW_REQ bit never set by Reset state machine (RSM)
RCW Phase	ERROR_PBI_REQ_NOT_SET	0x60	PBI_REQ bit never set (by RSM)
Phase = PBI			
PBI Phase	ERROR_SEC_CAAM_INIT	0x61	CAAM init failed (Would rarely occur)
PBI Phase	ERROR_SEC_CAAM_NOT_FOUND	0x62	CAAM block not found in case of secure boot
PBI Phase	ERROR_PBI_SRC_NOT_SAME_AS_RCW_SRC	0x64	Mismatch between RCW_SRC and PBI_SRC fields
PBI Phase	ERROR_PBI_LENGTH	0x65	PBI length defined in RCW[PBI_LEN] field is invalid
PBI Phase	ERROR_PBI_LAST_CMD_NOT_STOP	0x66	STOP or CRC&STOP not found at the end of the specified PBI Length.
PBI Phase	ERROR_PBI_COMMAND_UNKNOWN	0x67	An invalid command parsed by PBI Parser
PBI Phase	ERROR_CAAM_SELF_TEST	0x6a	CAAM self-test failed

Table 34. ISBC error codes...continued

When error generated	Error code	Value	Description
PBI Phase	ERROR_PBI_COPY_INVALID_SRC_TYPE	0x70	Copy command, src field does not match the RCW_SRC field
PBI Phase	ERROR_PBI_COPY_INVALID_DST_ADDR	0x71	Copy command, dest field is not 0x00
PBI Phase	ERROR_PBI_COPY_INVALID_SRC_ADDR_SRC_ADDR	0x72	SRC address is invalid (ROM/OCRAM reserved for SP)
PBI Phase	ERROR_PBI_CCSR_BYTE_COUNT	0x74	Byte count in CCSR Write not valid
PBI Phase	ERROR_PBI_CCSR_4_BYTE_ALLIGNED	0x75	Offset is not 4 bytes aligned
PBI Phase	ERROR_PBI_CCSR_OFFSET_INVALID	0x76	Offset is invalid that is less than allowed CCSR Base 0x0100_0000
PBI Phase	ERROR_PBI_ACSR_INVALID_ADDRESS	0x78	Source address in ACSR invalid (invalid addresses - OCRAM or ROM address)
PBI Phase	ERROR_PBI_ACSR_BYTE_COUNT	0x79	Byte count in ACSR write command not valid
PBI Phase	ERROR_PBI_ACSR_WINDOW_NOT_SET	0x7a	ATU Window is not configured
PBI Phase	ERROR_PBI_ACSR_OFFSET_ALLIGNED	0x7b	ACSR offset is invalid and trying to write to Reserved space on OCRAM.
PBI Phase	ERROR_PBI_ALTCFG_WNDW_INVALID	0x7c	ATU Window is invalid
PBI Phase	ERROR_PBI_JUMP_OUT_LENGTH	0x80	Offset specified in JUMP command does not lie in PBI length range
PBI Phase	ERROR_PBI_JUMP_4_BYTE_ALLIGNED	0x81	Offset specified in JUMP command is not 4 bytes aligned
PBI Phase	ERROR_PBI_JUMP_OFFSET_0	0x82	Offset specified in JUMP command is 0
PBI Phase	ERROR_PBI_LOADC_4_BYTE_ALLIGNED	0x84	Address specified in LOAD condition command is not 4 bytes aligned
PBI Phase	ERROR_PBI_JUMPC_OUT_LENGTH	0x88	Offset specified in JUMP command does not lie in PBI length range
PBI Phase	ERROR_PBI_JUMPC_4_BYTE_ALLIGNED	0x89	Offset specified in JUMP conditional command is not 4 bytes aligned
PBI Phase	ERROR_PBI_JUMPC_CONDITION_NOT_SET	0x8a	Jump conditional command encountered before condition is set using Load Condition
PBI Phase	ERROR_PBI_CRC_MISMATCH	0x90	CRC mismatch
PBI Phase	ERROR_PBI_POLL	0x91	Poll timeout

Table 34. ISBC error codes...continued

When error generated	Error code	Value	Description
PBI Phase	ERROR_PBI_POLL_4_BYTE_ALLIGNED	0x92	Address being polled is not 4 bytes aligned
PBI Phase	ERROR_PBI_BOOT1_CSF_INVALID_ADDR	0x94	Address of CSF header is not valid
PBI Phase	ERROR_PBI_BOOT1_CSF_ALLIGNED	0x95	Address of CSF header is not 4 bytes aligned
PBI Phase	ERROR_PBI_CCSR_MASKLEN_INVALID	0xa0	When CCSR masklen = 0, valid values are 1, 2, 3
PBI Phase	ERROR_PBI_CCSR_ADDR_NOT2BYTE_ALIGN	0xa1	When CCSR address is not 2 bytes align
PBI Phase	ERROR_PBI_CCSR_ADDR_NOT4BYTE_ALIGN	0xa2	When CCSR address is not 4 bytes align
PBI Phase	ERROR_PBI_SP_CCSR_ADDR	0xa3	When CCSR address is less than 0x01000000
PBI Phase	ERROR_PBI_CCSR_OPS_TYPE_INVALID	0xa4	When operation type is 3, that is reserved.Valid operations are SET, CLEAR and REPLACE
PBI Phase	ERROR_PBI_CCSR_WRITE_TYPE_INVALID	0xb0	When write register width is set to 0x0.Valid values are 2 --- > 2 bytes register write3 --- > 3 bytes register write
PBI Phase	ERROR_PBI_SCR_ADDR_NOT2BYTE_ALIGN	0xb1	When write type =2 and source address is not 2 bytes align
PBI Phase	ERROR_PBI_CCSR_ADDR_2BYTE_NOT_ALIGN	0xb2	When write type=2 and CCSR destination address is not 2 bytes align
PBI Phase	ERROR_PBI_SCR_ADDR_NOT4BYTE_ALIGN	0xb3	When write type =3 and source address is not 4 bytes align
PBI Phase	ERROR_PBI_CCSR_ADDR_4BYTE_NOT_ALIGN	0xb4	When write type= 3 and CCSR destination address is not 4 bytes align
PBI Phase	ERROR_PBI_SP_MIN_CCSR_ADDR	0xb5	When CCSR address is less than 0x01000000
PBI Phase	ERROR_PBI_CCSR_WRITE_LEN_ZERO	0xb6	When write length is zero
PBI Phase	ERROR_PBI_CCSR_WRITE_FROM_INVALID_ADDR	0xb7	When source address is from OCRAM reserved area
Phase = Verify (System State errors (Secure boot))			
Before PBI verification	ERROR_STATE_NOT_CHECK	0xf0	SecMon State Machine not in CHECK state at start of ISBC in primary flow. Some Security violation could have occurred or OTPMK is not fused.
Before PBI verification	ERROR_STATE_NOT_CHECK_TRUSTED	0xf1	SecMon State Machine not in CHECK/Trusted state at start of ISBC in secondary flow.

Table 34. ISBC error codes...continued

When error generated	Error code	Value	Description
Phase = Verify (Secure boot fatal errors)			
Verify PBI	ERROR_PBI_COMMANDS_NOT_FOUND	0xf4	Not having PBI commands in RCW is error scenario for secure boot
Verify PBI	ERROR_SEC_HDR_NOT_FOUND	0xf5	Error if security header command not found in RCW. Expected location of Security Header command <ul style="list-style-type: none"> • After Preamble for hard coded RCW • After preamble and RCW for other RCW sources
Phase = Verify (Secure boot fatal (Header parsing errors))			
Verify PBI	ERROR_HEADER_LOC	0xf8	Header location is invalid
Verify PBI	ERROR_HEADER_BARKER	0xf9	Barker code in the header is incorrect
Verify PBI	ERROR_HEADER_INVALID	0xfa	Flag B01 in the header identifies this as SPL header
Phase = Verify (Secure boot non-fatal (Key/UID related errors))			
Verify PBI	ERROR_INVALID_SRK_ENTRY_KEYLEN	0x210	Length of public key specified in one of the entries in SRK table is not one of the supported values. (1k, 2k, or 4k)
Verify PBI	ERROR_KEY_LEN_NOT_TWICE_SIG_LEN	0x211	Public key is not twice the length of the RSA signature
Verify PBI	ERROR_KEY_MOD_1	0x212	Most significant bit of modulus in header is zero.
Verify PBI	ERROR_KEY_MOD_2	0x213	Modulus in header is even number
Verify PBI	ERROR_SIG_KEY_MOD	0x214	Signature value is greater than modulus in header
Verify PBI	ERROR_INVALID_SRK_NUM_ENTRY	0x215	Number of entries field in CSF header is > 8 (This is when srk_table_flag in header is 1)
Verify PBI	ERROR_INVALID_KEY_NUM	0x216	Key number to be used from SRK table is not present in table. (This is when srk_table_flag in header is 1)
Verify PBI	ERROR_KEY_REVOKED	0x217	Key selected from SRK table has been revoked (This is when srk_table_flag in header is 1)
Verify PBI	ERROR_FSL_UID	0x220	FSL_UID in ESBC header did not match the FSL_UID in SFP if fsl uid flag is 1

Table 34. ISBC error codes...continued

When error generated	Error code	Value	Description
Verify PBI	ERROR_OEM_UID0	0x221	OEM_UID0 in ESBC header did not match the OEM_UID0 in SFP if OEM UID0 flag is 1.
Verify PBI	ERROR_OEM_UID1	0x222	OEM_UID1 in ESBC header did not match the OEM_UID1 in SFP if OEM UID1 flag is 1.
Verify PBI	ERROR_OEM_UID2	0x223	OEM_UID1 in ESBC header did not match the OEM_UID1 in SFP if OEM UID1 flag is 1.
Verify PBI	ERROR_OEM_UID3	0x224	OEM_UID1 in ESBC header did not match the OEM_UID1 in SFP if OEM UID1 flag is 1.
Verify PBI	ERROR_OEM_UID4	0x225	OEM_UID1 in ESBC header did not match the OEM_UID1 in SFP if OEM UID1 flag is 1.
Phase = Verify (Header Verification failure) Secure boot non-fatal			
Verify PBI	ERROR_HASH_COMPARE_KEY	0x240	Super Root Key Hash Comparison failure. Mismatch in the hash of the public key/ SRK table as present in the header with the value in the SRKH fuse.
Verify PBI	ERROR_HASH_COMPARE_EM	0x241	RSA signature check failure. Signature provided by you in the header does not match with the signature of the ESBC image generated by ISBC. The ESBC image loaded by you may be different than the image used while generating the signature (using CST)
Phase = Verify (Secure boot fatal (Header parsing errors))			
Verify Boot1	ERROR_HEADER_LOC	0x100f8	Header location is invalid
Verify Boot1	ERROR_HEADER_BARKER	0x100f9	Barker code in the header is incorrect.
Verify Boot1	ERROR_HEADER_INVALID	0x100fa	Flag B01 in the header identifies this as SPL header.
Phase = Verify (Secure boot fatal (SG table related errors))			
Verify Boot1	ERROR_INVALID_SRK_ENTRY_KEYLEN	0x10210	Length of public key specified in one of the entries in SRK table is not one of the supported values. (1k, 2k, or 4k)
Verify Boot1	ERROR_KEY_LEN_NOT_TWICE_SIG_LEN	0x10211	Public key is not twice the length of the RSA signature

Table 34. ISBC error codes...continued

When error generated	Error code	Value	Description
Verify Boot1	ERROR_KEY_MOD_1	0x10212	Most significant bit of modulus in header is zero
Verify Boot1	ERROR_KEY_MOD_2	0x10213	Modulus in header is even number
Verify Boot1	ERROR_SIG_KEY_MOD	0x10214	Signature value is greater than modulus in header
Verify Boot1	ERROR_INVALID_SRK_NUM_ENTRY	0x10215	Number of entries field in CSF header is > 8 (This is when srk_table_flag in header is 1)
Verify Boot1	ERROR_INVALID_KEY_NUM	0x10216	Key number to be used from SRK table is not present in table. (This is when srk_table_flag in header is 1)
Verify Boot1	ERROR_KEY_REVOKED	0x10217	Key selected from SRK table has been revoked (This is when srk_table_flag in header is 1)
Verify Boot1	ERROR_FSL_UID	0x10220	FSL_UID in ESBC header did not match the FSL_UID in SFP if fsl uid flag is 1
Verify Boot1	ERROR_OEM_UID0	0x10221	OEM_UID0 in ESBC header did not match the OEM_UID0 in SFP if OEM UID0 flag is 1.
Verify Boot1	ERROR_OEM_UID1	0x10222	OEM_UID1 in ESBC Header did not match the OEM_UID1 in SFP if OEM UID1 flag is 1.
Verify Boot1	ERROR_OEM_UID2	0x10223	OEM_UID1 in ESBC Header did not match the OEM_UID1 in SFP if OEM UID1 flag is 1.
Verify Boot1	ERROR_OEM_UID3	0x10224	OEM_UID1 in ESBC Header did not match the OEM_UID1 in SFP if OEM UID1 flag is 1.
Verify Boot1	ERROR_OEM_UID4	0x10225	OEM_UID1 in ESBC Header did not match the OEM_UID1 in SFP if OEM UID1 flag is 1.
Phase = Verify (Header Verification failure) Secure boot non-fatal			
Verify Boot1	ERROR_HASH_COMPARE_KEY	0x10240	Super Root Key Hash Comparison failure. Mismatch in the hash of the public key/ SRK table as present in the header with the value in the SRKH fuse.
Verify Boot1	ERROR_HASH_COMPARE_EM	0x10241	RSA signature check failure. Signature provided by you in the header does not match with the signature of the ESBC image generated by ISBC.

Table 34. ISBC error codes...continued

When error generated	Error code	Value	Description
			The ESBC image loaded by you may be different than the image used while generating the signature(using CST)

5.1.1.3.3 External Secure Boot Code (ESBC) phase

Unlike ISBC, which is in BootROM and cannot be modified, ESBC can be modified by you. ESBC includes:

- BL2 image which further validates BL31, BL32, and BL33 (U-Boot) images
- U-Boot image which validates the images it loads. For example, Linux, DTB, MC firmware

ESBC can be used as is, as it is provided in the NXP offered secure boot system as part of the Layerscape LDP. Or, you can use ESBC as reference to modify your secure boot system.

NXP offers two secure boot systems:

- ESBC image validation using NXP CSF headers, also known as NXP CoT for ESBC images
- ESBC image validation using X509 certificates
 - Enabled on NXP platform through TF-A
 - meets Arm recommended Trusted Board Boot Requirements (TBBR)
 - also known as Arm CoT for ESBC images

Note: *Arm CoT is supported only for LX2160ARDB and LX2162AQDS platforms.*

To establish Secure Boot Chain of Trust, ESBC includes U-Boot commands. The U-Boot commands are explained in [Section 5.2.1.2](#).

5.1.1.3.3.1 BL2 binary

As explained in the boot flow, BL2 binary which is loaded by BootROM loads three images from a FIP binary:

- BL31 binary
- BL32 binary (OPTEE code)
- BL33 binary (U-Boot/UEFI)

For the secure boot process, the images need to be authenticated before they are loaded.

NXP CoT for ESBC images

BL2 binary contains the ESBC code that is the digital signature validation routine and is responsible for authenticating the three binaries using the CSF header. The CSF header for the binaries is generated using the CST and is pre-pended with each of the binaries. The binaries are combined together in a FIP image.

BL2 binary locates the CSF header of each of the binaries to be loaded from FIP. The header is parsed and image is authenticated. The signature validation process is similar to the one followed in the ISBC flow.

For details about code signing and signature verification process during secure boot, see [Section 5.1.1.2](#).

TA 3.x platforms - ESBC CSF header structure definition

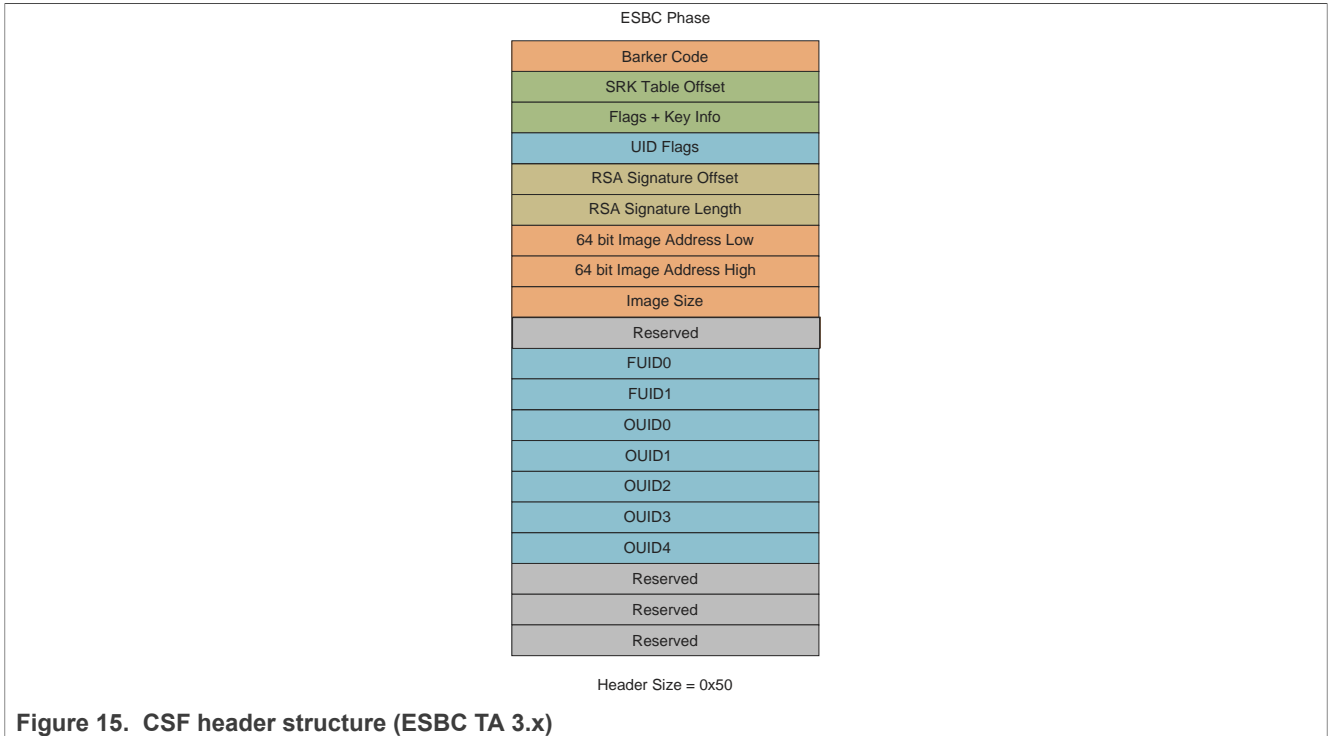


Table 35. CSF header structure (ESBC TA 3.x)

Offset	Description
0x00	<p>Barker code Fixed value which the ISBC uses to confirm it has located the start of a CSF header. (0x12192001 in big endian) 0x00 – 0x12 0x01 – 0x19 0x02 – 0x20 0x03 – 0x01 It is numeric encoding of LSTA (LS Series Trust Architecture)</p>
0x04	<p>SRK table offset This field contains an address which is the offset of the SRK table from the start of CSF header. Using this offset and the number of entries in the SRK Table, the SRK table is read.</p>
0x08	<p>0x08 No. of keys This field specifies the number of keys in the SRK table.</p>
	<p>0x09 Key No. for verification Key number from the SRK table used by ISBC to verify the image signature.</p>
	<p>0x0a Reserved</p>
	<p>0x0b ISBC key extension flag</p>
0x0C	<p>0x0C Reserved</p>
	<p>0x0D Reserved</p>
	<p>0x0E Reserved</p>

Table 35. CSF header structure (ESBC TA 3.x)...*continued*

	0x0F	<p>OIDx: when set, the corresponding OEM UID field in the SFP is included in the digital signature verification. For each bit set, the corresponding OUID field is included in the CSF header.</p> <p>FUID: when set, the 64b FUID is included in the digital signature verification and the FUID is included in the CSF header</p> <p>Other bits are reserved.</p>
0x10		<p>RSA signature offset</p> <p>This field contains an address which is the offset of the RSA signature from the start of CSF header. Using this offset and the signature length, the RSA signature is read. The RSA signature is calculated over CSF header, SG table, and ESBC images.</p>
0x14		<p>RSA signature length</p> <p>This field contains the length of the RSA signature in bytes.</p>
0x18		Image address (64 bit)
0x20		Image size
0x24		Reserved
0x28		FUID0
0x2c		FUID 1
0x30		OUID0
0x34		OUID1
0x38		OUID2
0x3c		OUID3
0x40		OUID4
0x44		Reserved
0x48		Reserved
0x4c		Reserved

Arm CoT for ESBC images

Note: *Arm CoT is supported only for LX2160ARDB and LX2162AQDS platforms.*

The Trusted Board Boot Requirements (TBBR) process includes multiple stages and uses multiple firmware images. The process ensures that the Chain of Trust is maintained between the different boot stages using standard cryptography.

The TBBR process authenticates a series of cryptographically signed binary images. The signatures for each image are stored in the X.509 certificates. Each image is authenticated by a public key, which is stored in a signed certificate and can be traced back to the root key stored on the SoC in the OTP memory or BootROM.

Because the images are signed by public key cryptography, the TBBR process can authenticate the images using the public key stored on the device. The private key used to generate the signature need never be exposed on the SoC itself.

For details about the signature mechanism via the X.509 certificate , see <https://developer.arm.com/docs/den0006/latest/trusted-board-boot-requirements-client-tbbr-client-armv8-a>

The following figure shows the certificate and key relationship as implemented on LX2160A.

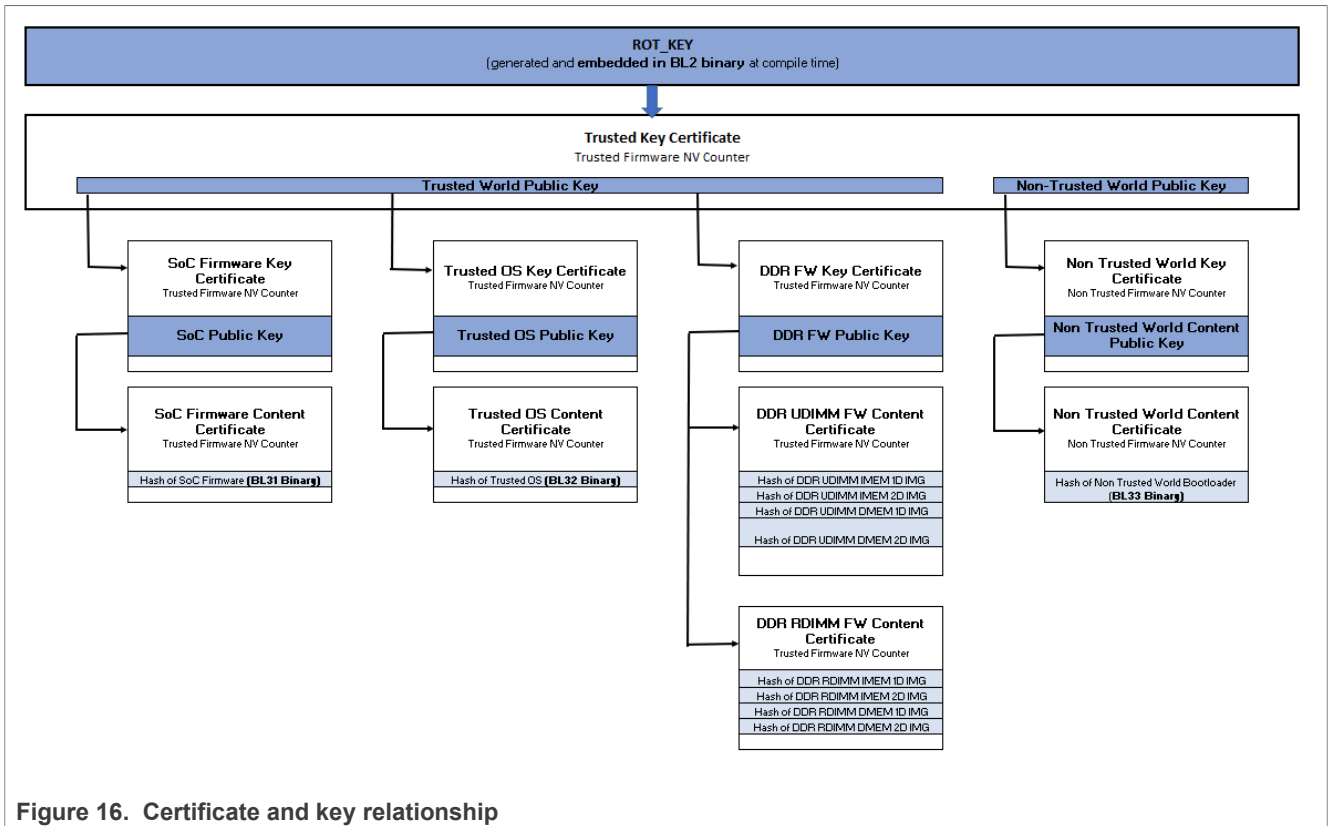


Figure 16. Certificate and key relationship

The sample implementation provided for LX2160A uses SFP_OEMUID3 as Trusted Firmware Non-Volatile (NV) counter and SFP_OEMUID4 as Non-Trusted Firmware NV counter. Both of these counters support 32 states. In order to set the counter, the device needs to be enabled for fuse writing. If fuse writing can be enabled in the software running on your board, board-specific code can be added to the following functions.

```
void board_enable_povdd(void);
void board_disable_povdd(void);
```

For details about enabling POVDD using jumpers and switches, see [Section 5.1.1.5.2.1](#)

5.1.1.4 Code Signing Tool

To assist with signing of various images and creation of CSF header, NXP offers a Code Signing Tool (CST). The CST is a collection of command-line applications. It is expected that the CST signs images in an offline process.

CST consists of the following tools:

- Key generation
- Header creation
- Signature generation

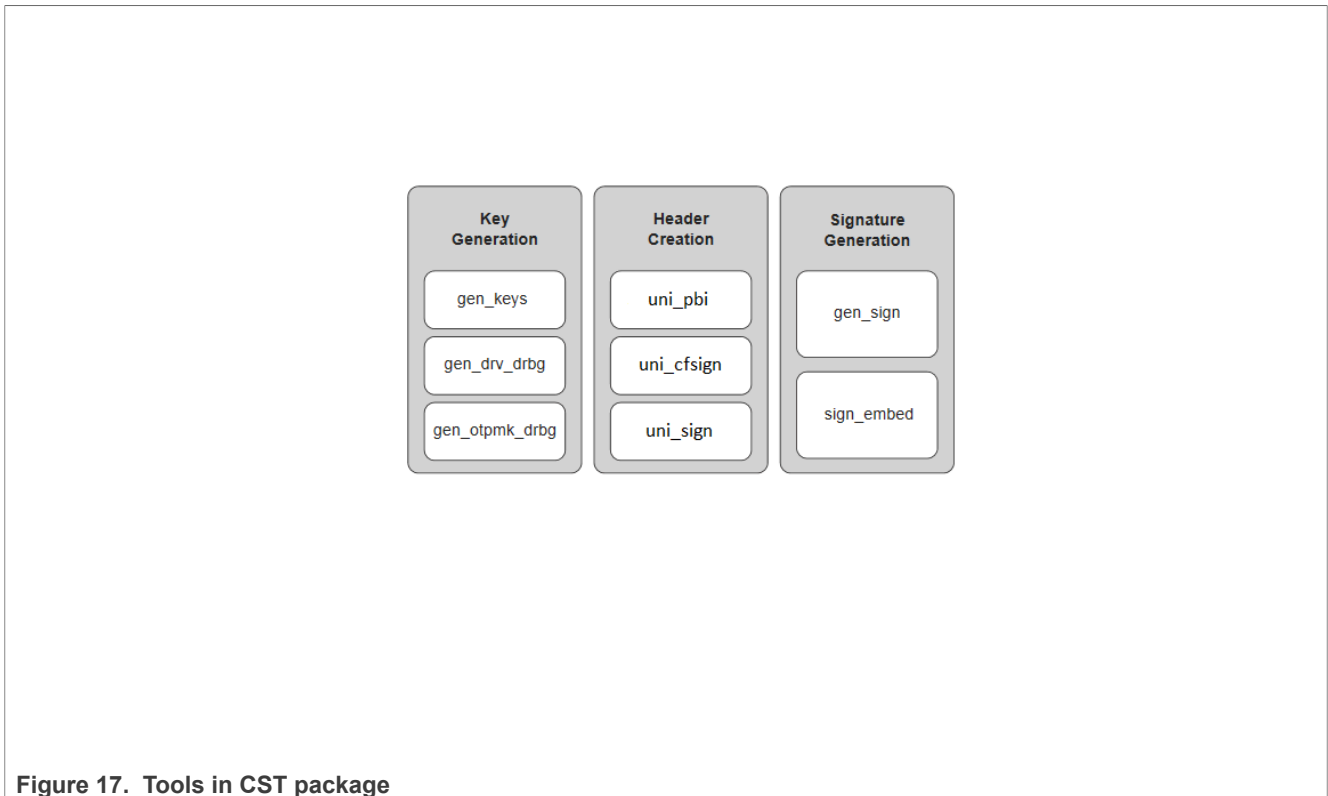


Figure 17. Tools in CST package

5.1.1.4.1 Key generation

5.1.1.4.1.1 gen_keys

This utility generates an RSA public and private key pair using the OpenSSL APIs. The key pair is built from 3 parts; N, E, and D.

- N – Modulus
- E – Encryption exponent
- D – Decryption exponent

Public key - It is a combination of E and N components.

Private key - It is a combination of D and N components.

It is your responsibility to tightly control access to the RSA private signature key. If this key is ever exposed, attackers will be able to generate alternate images that will pass secure boot. If this key is ever lost, you will be unable to update the image.

Features:

- Allows you to generate keys with 3 sizes. The key sizes are 1024 bits, 2048 bits, and 4096 bits.
- Generates RSA key pairs in PEM format.
- Generates and stores keys in files. You can provide filenames through command-line option.

Command usage:

```
./genkeys <Key length in bits >
```

<Key length in bits > can be 1024 or 2048 or 4096.

Table 36. Command options

Option	Description
-h,--help	Usage of the command
-k,--pubkey	File where public key will be stored in PEM format. By default, public key is stored in srk.pub.
-p,--privkey	File where private key will be stored in PEM format. By default, private key is stored in srk.priv.

Examples:

```
$ ./gen_keys 1024
#-----#
#-----#
#----- CST (Code Signing Tool) Version 2.0 -----#
#-----#
#-----#
=====
This product includes software developed by the OpenSSL Project
for use in the OpenSSL Toolkit (http://www.openssl.org/)
This product includes cryptographic software written by
Eric Young (eay@cryptsoft.com)
=====
Generated SRK pair stored in :
PUBLIC KEY srk.pub
PRIVATE KEY srk.pri
```

```
$ ./gen_keys 4096 -k my.pub -p my.pri
#-----#
#-----#
#----- CST (Code Signing Tool) Version 2.0 -----#
#-----#
#-----#
=====
This product includes software developed by the OpenSSL Project
for use in the OpenSSL Toolkit (http://www.openssl.org/)
This product includes cryptographic software written by
Eric Young (eay@cryptsoft.com)
=====
Generated SRK pair stored in :
PUBLIC KEY my.pub
PRIVATE KEY my.pri
```

5.1.1.4.1.2 gen_otpmk_drbg

This utility inserts Hamming code in a user-defined 256b hexadecimal string. Alternatively, it generates a 256b hexadecimal random number and inserts the Hamming code in it, which can be used as an OTPMK value.

Note:

For random number generation, Hash_DRBG library is used. The Hash_DRBG is an implementation of the NIST approved DRBG (Deterministic Random Bit Generator), specified in SP800-90A. The entropy source is Linux /dev/random.

Features:

- Generates random numbers, which can be used if user-defined string is not provided, to generate OTPMK value.
- Calculates and embeds the Hamming code in the hexadecimal string.

Command usage:

`./gen_otpmk_drbg --b <bit_order> [--s <string>] [--u]`

Table 37. Command options

Option	Description
<code>--b <bit_order></code>	(1 or 2) OTPMK Bit Ordering Scheme in SFP <ul style="list-style-type: none"> • 1: BSC913x, P1010, P3, P4, P5, C29x • 2: T1, T2, T4, B4, LS1021A, LS1043A, LS1046A, LS1012A, LS1088A, LS2088A, LX2160A, LS1028A, LX2162A
<code>--s <string></code>	32 bytes optional string () - Generates OTPMK using <string> as string
<code>--u</code>	urand option flag - Generates OTPMK using entropy from /dev/urandom By default, OTPMK using entropy is generated from /dev/random
<code>--h</code>	Help

Examples:

```
$ ./gen_otpmk_drbg --b 1 --s
1111111122222222333333334444444455555555666666667777777788888888
$ ./gen_otpmk_drbg -b 1 --u
$ ./gen_otpmk_drbg -b 1
```

```
$ gen_otpmk_drbg -b 1
#-----#
#-----#
#----- CST (Code Signing Tool) Version 2.0 -----#
#-----#
#-----#
Input string not provided
Generating a random string
-----
* Hash_DRBG library invoked
* Seed being taken from /dev/urandom
-----
OTPMK[255:0] is:
d2f63a662f69a1faa4c2406f83eedde7647fbd3c62ac442c67fad2d4cda8b3a0
NAME | BITS | VALUE
-----|-----|-----
OTPMKR 0 | 31- 0 | cda8b3a0
OTPMKR 1 | 63- 32 | 67fad2d4
OTPMKR 2 | 95- 64 | 62ac442c
OTPMKR 3 | 127- 96 | 647fbd3c
OTPMKR 4 | 159-128 | 83eedde7
OTPMKR 5 | 191-160 | a4c2406f
OTPMKR 6 | 223-192 | 2f69a1fa
```



```
OTPMKR 7 | 255-224 | d2f63a66

$ ./gen_otpmk_drbg -b 2 --s
11111111222222223333333344444444555555556666666677777777888888888
#-----#
#-----#
#----- CST (Code Signing Tool) Version 2.0 -----#
#-----#
#-----#
OTPMK[255:0] is:
11111111222222223333333344444444555555556666666677777777888888888 NAME | BITS |
VALUE
-----|-----|-----
OTPMKR 0 | 255-224 | 11111111
OTPMKR 1 | 223-192 | 22222222
OTPMKR 2 | 191-160 | 33333333
OTPMKR 3 | 159-128 | 44444444
OTPMKR 4 | 127- 96 | 55555555
OTPMKR 5 | 95- 64 | 66666666
OTPMKR 6 | 63- 32 | 77777777
OTPMKR 7 | 31- 0 | 88888888
```

5.1.1.4.1.3 gen_drv_drbg

This utility inserts Hamming code in a user-defined 64b hexadecimal string, or generates a 64b hexadecimal random number and inserts the Hamming code in it, which can be used as Debug Response value.

Note: For random number generation, an Hash_DRBG library is used. The Hash_DRBG is an implementation of the NIST approved DRBG (Deterministic Random Bit Generator), specified in SP800-90A. The entropy source is Linux /dev/random.

Features:

- Generates random numbers, which can be used if user-defined string is not provided, to generate Debug Response value.
- Calculates and embeds the Hamming code in the hexadecimal string.

Command usage:

```
./gen_drv_drbg <hamming_algo> [string]
```

Table 38. Command options

Option	Description
hamming_algo	Platforms: A1: T10xx, T20xx, T4xxx, P4080rev1, B4xxx A2: LS1021A, LS1043A, LS1046A, LS1012A, LS1088A, LS2088A, LX2160A, LS1028A, LX2162A B: P10xx, P20xx, P30xx, P4080rev2, P4080rev3, P50xx, BSC913x, C29x
string	8 bytes string In case string is not specified, the utility generates an 8 bytes random number and embeds Hamming code in it.

Examples:

```
$ ./gen_drv_drbg A2
#-----#
```

```
#-----#
#----- CST (Code Signing Tool) Version 2.0 -----#
#-----#
#-----#
Input string not provided
Generating a random string
-----
* Hash_DRBG library invoked
* Seed being taken from /dev/random
-----
Random Key Genearted is: f4bfc65e16284dbb
DRV[63:0] after Hamming Code is:
f4bfc65f16294daf
NAME | BITS | VALUE
-----|-----|-----
DRV 0 | 63 - 32 | f4bfc65f
DRV 1 | 31 - 0 | 16294daf

$ ./gen_drv_drbg A2 1652afe595631dec
#-----#
#-----#
#----- CST (Code Signing Tool) Version 2.0 -----#
#-----#
#-----#
DRV[63:0] after Hamming Code is:
1652afe495631cea
NAME | BITS | VALUE
-----|-----|-----
DRV 0 | 63 - 32 | 1652afe4
DRV 1 | 31 - 0 | 95631cea
```

5.1.1.4.2 Header creation

5.1.1.4.2.1 uni_pbi

Command usage:

```
$ ./uni_pbi [options] <input_file>
```

Table 39. Command options

Option	Description
options	<ul style="list-style-type: none"> • --verbose: Displays header information after Creation. This option is invalid for TA 2.x platforms • --out <file>: Output file name • --in <file>: Input RCW file • --sben: Enables RCW[SB_EN] in the RCW • --hash: Prints the SRK (Public key) hash. This option is invalid for TA 2.x platforms • --img_hash: Generates header without signature Image hash is stored in a separate file. This option is invalid for TA 2.x platforms • --help: Shows the help for the tool
input_file	<p>Contains all information required by the tool</p> <p>Sample input files are present in the CST tool at location: input_files/uni_pbi/<platform>/</p>

Table 39. Command options...continued

Option	Description
	For example, <code>input_files/uni_pbi/ls1/input_pbi_sd_secure</code> for TA 2.x and <code>input_files/uni_pbi/ls2088_1088/input_pbi_sd_secure</code> for TA 3.x

<input_file> specifies the platform, based on which there are two separate behaviors of the uni_pbi command.

If <input_file> specifies TA 2.x platform, uni_pbi is used:

- To add boot location pointer and set RCW[SB_EN] and RCW[BOOT_HO] value for secure boot
- (optional) To add PBI commands (ACS write commands to add U-Boot spl and its header to OCRM from Non-XIP memory).
- (optional) To append images (U-Boot, Boot script, and their headers) to the RCW file.

If <input_file> specifies TA 3.x platform, uni_pbi is used:

- To create signature and header over PBI commands.

See [Section 5.1.1.3](#) for details about TA2.x and TA 3.x platforms.

Table 40. Description of fields in input files for both type of platforms (TA 2.x and TA 3.x)

Field	Description	Platform supported
PLATFORM	The platform for which tool is used	TA 2.x and TA 3.x
RCW_PBI_FILENAME	Input image file name. The RCW file which is to be modified	TA 2.x and TA 3.x
BOOT1_PTR	Address of ISBC (Boot1) CSF header	TA 2.x and TA 3.x
OUTPUT_RCW_PBI_FILENAME	To identify the platform for which the tool is used. This field is optional. If not specified, it takes default name	TA 2.x
BOOT_SRC	Only to be specified in case of SD boot	TA 2.x
SB_EN	Field to enable or disable secure boot. Set RCW[SB_EN] = 1 to enable secure boot	TA 2.x
BOOT_HO	Set RCW[BOOT_HO] = 1, to put core in hold-off state to fuse key hash in case of secure boot	TA 2.x
COPY_CMD	To add ACS write commands to write U-Boot spl and its header to OCRM. This is an optional field. If not mentioned, the tool does not add the command	TA 2.x and TA 3.x
APPEND_IMAGES	To append U-Boot, Boot script, and their headers to the newly generated RCW. This is an optional field, if not specified, no images is appended	TA 2.x and TA 3.x
KEY_SELECT	Key to be used in signature generation from the SRK table	TA 3.x
PRI_KEY	Private key file name in PEM format. The maximum keys supported are 8	TA 3.x
PUB_KEY	Public key file name in PEM format. The maximum keys supported are 8	TA 3.x
FSL_UID_x	FSL UID(s) to be populated in the header	TA 3.x
OEM_UID_x	OEM UID(s) to be populated in the header	TA 3.x
OUTPUT_HDR_FILENAME	Output file name of the header. An output file name is generated with RCW commands appended with signed PBI commands	TA 3.x

Table 40. Description of fields in input files for both type of platforms (TA 2.x and TA 3.x)...continued

Field	Description	Platform supported
IMAGE_HASH_FILENAME	Used with '--img_hash' option (Name of file in which image hash is stored)	TA 3.x
RSA_SIGN_FILENAME	Name of the RSA sign file to be used for RSA signature out	TA 3.x
MP_FLAG	Manufacturing Protection flag	TA 3.x
ISS_FLAG	Increment Security State flag	TA 3.x
LW_FLAG	Leave Writeable flag	TA 3.x
VERBOSE	Specify VERBOSE as 1, if you want to display header information. This can also be done with '--verbose' option	TA 3.x
IE_TABLE_ADDR	64-bit address of IE table (used for IE key extension feature). This field is available in <input_files> at location input_files/uni_pbi/ls2088_1088/ie_keys	TA 3.x

Note: In TA 3.x, RCW[SB_EN] and RCW[BOOT_HO] fields are by default set to 1 to enable secure boot.

Sample input file

For details about TA2.x and TA3.x platforms, see [Section 5.1.1.3](#)

Sample input file, /cst/input_files/uni_pbi/ls1/input_pbi_sd_secure, for TA 2.x platforms.

```

/*
 * Copyright 2017 NXP
 */

-----
# For PBI Creation
# Name of RCW + PBI file [Mandatory]
RCW_PBI_FILENAME= u-boot-with-spl-pbl.bin
-----
# Specify the output file name [Optional].
# Default Values chosen in Tool
OUTPUT_RCW_PBI_FILENAME=u-boot-with-spl-pbl-sec.bin
-----
#Specify the boot_src
BOOT_SRC=SD_BOOT
# Specify the platform
PLATFORM=LS1020
# Specify the RCW Fields. (0 or 1) - [Optional]
SB_EN=1
BOOT_HO=1
BOOT1_PTR=10016000
-----
# Specify the PBI commands - [Optional]
# Argument: COPY_CMD = (src_offset, dest_offset, Image name)
# Split hdr uboot spl.out in PBI commads
COPY_CMD={ffffffff,10016000,hdr_uboot_spl.out;}
-----
# Specify the Images to be appended
# Arguments: APPEND_IMAGES=(Image name, Offset from start)
APPEND_IMAGES={u-boot-dtb.bin,0001D000;}
APPEND_IMAGES={hdr_uboot.out,0011D000;}
-----

```

Sample input file, /cst/input_files/uni_pbi/ls2088_1088/input_pbi_sd_secure, for TA 3.x platforms.

```

/* Copyright (c) 2015 Freescale Semiconductor, Inc.
 * Copyright 2017 NXP
 */
-----
# Specify the platform. [Mandatory]
# Choose Platform -
# TRUST 3.0: LS2085
# TRUST 3.1: LS2088, LS1088
PLATFORM=LS2088
-----
# Specify the Key Information.
# PUB_KEY [Mandatory] Comma Separated List
# Usage: <srk1.pub> <srk2.pub> .....
PUB_KEY=srk.pub
# KEY_SELECT [Mandatory]
# USAGE (for TRUST 3.x): (between 1 to 8)
KEY_SELECT=1
# PRI_KEY [Mandatory] Single Key Used for Signing
# USAGE: <srk.pri>
PRI_KEY=srk.pri
-----
# For PBI Signing
# Name of RCW + PBI file [Mandatory]
RCW_PBI_FILENAME=rcw.bin
# Address of ISBC (Boot1) CSF Header [Mandatory]
BOOT1_PTR=1801f000
-----
# Specify OEM AND FSL ID to be populated in header. [Optional]
# e.g FSL_UID_0=11111111
FSL_UID_0=
FSL_UID_1=
OEM_UID_0=
OEM_UID_1=
OEM_UID_2=
OEM_UID_3=
OEM_UID_4=
-----
# Specify the output file names [Optional].
# Default Values chosen in Tool
OUTPUT_HDR_FILENAME=rcw_sec.bin
IMAGE_HASH_FILENAME=
RSA_SIGN_FILENAME=
-----
# Specify The Flags. (0 or 1) - [Optional]
MP_FLAG=0
ISS_FLAG=1
LW_FLAG=0
-----
# Specify VERBOSE as 1, if you want to Display Header Information [Optional]
VERBOSE=1
-----
#Block copy commands to write uboot-spl and its header to OCRAM
COPY_CMD={00080000,1801f000,hdr_uboot_spl.out}
-----
# Specify the Images to be appended
# Arguments: APPEND_IMAGES=(Image name, Offset from start)
APPEND_IMAGES={hdr_uboot_spl.out,0007f000;}

```

```
APPEND_IMAGES={u-boot-spl.bin,000ff000;}
APPEND_IMAGES={u-boot-dtb.bin,00115000;}
APPEND_IMAGES={hdr_uboot.out,00215000;}
```

5.1.1.4.2.2 uni_sign

uni_sign tool can be used for the following functions:

- CSF header generation along with signature for both ISBC and ESBC phases
- CSF header generation without signature if private key is not provided
- uni_sign tool (with ESBC = 0 in input file) is used for creating signature and header over Boot1 image to be verified by ISBC
- uni_sign tool (with ESBC = 1 in input file) is used for creating signature and header over images to be verified by ESBC

Command usage:

```
./uni_sign [options] <input_file>
```

Table 41. Command options

Option	Description
--verbose	Displays header information after creation
--hash	Prints the SRK(Public key) hash
--img_hash	Header is generated without signature. Image hash is stored in a separate file
--out <file>	Header filename
--in <file>	Input file for signature calculation. This option would override the filename in IMAGE_1 in input_file, if present
--app <file>	File to be appended to the header
--app_off <offset>	Offset at which file will be appended to the header
--help	Displays the help for tool usage

Usage example:

```
./uni_sign --in <inp_file> --out <op file> --app_off <offset> --app <file>
<input_file>
```

Note: There are scenarios when a build script using the tool needs to modify the input filename or the output header filename. These command-line options provide a way to override the values as specified in the input file.

Table 42. Description of fields

Field	Field description	Platform supported
PLATFORM	To identify the platform/SoC for which CF header needs to be created.	All
ESBC	Do not set this flag when code signing is being performed on the image directly verified by the ISBC. For later images in the chain of trust, set this flag.	All
ENTRY_POINT	Entry point address or Image start address field in the header.	All

Table 42. Description of fields...continued

Field	Field description	Platform supported
PRI_KEY	Private key filename to be used for signing the image. (File has to be in PEM format) (default = srk.pri generated by gen_keys command) FILE1 [,FILE2, FILE3, FILE4]. Multiple key support for TA 2.x platforms only.	All
PUB_KEY	Public key filename in PEM format. (default = srk.pub generated by gen_keys) FILE1 [,FILE2, FILE3, FILE4]. Multiple key support for TA 2.x platforms only.	All
KEY_SELECT	Specify the key to be used in signature generation when more than one key has been given as input. (Default=1, first key will be selected)	All
IMAGE_1 - IMAGE_8	Create Entries for SG table in the format { IMAGE_NAME, SRC_ADDR, DST_ADDR }	All
OEM_UID_x	OEM UID to be populated in the header.	All
FSL_UID_x	FSL UID to be populated in the header.	All
HK_AREA_POINTER	House Keeping Area Starting Pointer required by Sec (Required for TA 2.x platforms only when esbc option is not provided)	TA 2.x
HKAREA_SIZE	House Keeping Area Size (Required for TA 2.x platforms only when esbc option is not provided)	TA 2.x
OUTPUT_HDR_FILENAME	Name of the combined header binary to be created by tool	All
SG_TABLE_ADDR	Specify SG_TABLE Address where SG table is present for 2041/3041/4080/5020/5040 when ESBC=0.	TA 2.x
OUTPUT_SG_BIN	Specify the output filename of the SG table.	TA 2.x
IMAGE_TARGET	Specify the target where image will be loaded. For example,NOR_8B/NOR_16B/NAND_8B_512/NAND_8B_2K/NAND_8B_4K/ NAND_16B_512/NAND_16B_2K/NAND_16B_4K/SD/MMC/SPI	TA 2.x
SIGN_SIZE	Signature length	TA 2.x
INPUT_SIGN_FILENAME	Name of the signature file to be used for signature out	TA 2.x
HASH_FILENAME	Name of the hash file to be used of hash out	TA 2.x and TA 3.x
RSA_SIGN_FILENAME	Name of the RSA sign file to be used for RSA signature out.	TA 3.x
SEC_IMAGE	Flag for Secondary Image. Required for TA 2.x platforms only	TA 2.x
MP_FLAG	Specify Manufacturing Protection flag. Available for LS1 only.	All, only needed in ISBC phase
VERBOSE	Specify Verbose option. Contents of header generated will be printed.	All
IMAGE_HASH_FILENAME	used with '--img_hash' option (Name of file in which Image Hash is stored)	TA 3.x

Table 42. Description of fields...continued

Field	Field description	Platform supported
ISS_FLAG	Increment Security State Flag	TA 3.x, only needed in ISBC phase
LW_FLAG	Leave Writeable Flag	TA 3.x, only needed in ISBC phase
ESBC_HDRADDR	32-bit address where header generated will be placed. Used to calculate IE Key table address	TA 3.x, only to be used in case of IE key extension feature usage
IE_KEY	Comma-separated list of files containing public keys(IE Keys)	TA 3.x, only to be used in case of IE key extension feature usage
IE_REVOC	Comma-separated list of numbers that are to be revoked from IE table	TA 3.x, only to be used in case of IE key extension feature usage
IE_KEY_SEL	No. of keys in IE table that is to be used to validate image	TA 3.x, only to be used in case of IE key extension feature usage

Sample input file, `input_bootscript_secure`, is present in the CST tool at location: `input_files/uni_sign/<platform>/`

See [Section 5.1.1.3](#) for details about TA2.x and TA 3.x platforms.

Sample input file

Input file `/proj/idcapps/usr/swatig/cst/input_files/uni_sign/ls2088_1088/input_bootscript_secure`

```

/* Copyright (c) 2015 Freescale Semiconductor, Inc.
 * Copyright 2017 NXP
 */
ESBC=1
-----
# Specify the platform. [Mandatory]
# Choose Platform -
# TRUST 3.0: LS2085
# TRUST 3.1: LS2088, LS1088
PLATFORM=LS2088
-----
# Specify the Key Information.
# PUB_KEY [Mandatory] Comma Seperated List
# Usage: <srk1.pub> <srk2.pub> .....
PUB_KEY=srk.pub
# KEY_SELECT [Mandatory]
# USAGE (for TRUST 3.x): (between 1 to 8)
KEY_SELECT=1
# PRI_KEY [Mandatory] Single Key Used for Signing
# USAGE: <srk.pri>
PRI_KEY=srk.pri
-----
# Specify the IMAGE Information [Mandatory]
# USAGE : IMAGE_NO = {IMAGE_NAME, SRC_ADDR, DST_ADDR}
# Address can be 64 bit
IMAGE_1={bootscript,80000000,ffffffff}

```



```
-----  
# Specify OEM AND FSL ID to be populated in header. [Optional]  
# e.g FSL_UID_0=11111111  
FSL_UID_0=  
FSL_UID_1=  
OEM_UID_0=  
OEM_UID_1=  
OEM_UID_2=  
OEM_UID_3=  
OEM_UID_4=  
-----  
# Specify the output file names [Optional].  
# Default Values chosen in Tool  
OUTPUT_HDR_FILENAME=hdr_bs.out  
IMAGE_HASH_FILENAME=  
RSA_SIGN_FILENAME=  
-----  
# Specify The Flags. (0 or 1) - [Optional]  
MP_FLAG=0  
ISS_FLAG=1  
LW_FLAG=0  
-----  
# Specify VERBOSE as 1, if you want to Display Header Information [Optional]  
VERBOSE=1
```

5.1.1.4.3 Signature generation

The tools in this category are provided in case the user does not want to share the private key with CST. The **--img_hash** option in [Section 5.1.1.4.2](#) tools provides ability to perform code signing in a secure environment, which does not run CST.

--img_hash option

- Generates hash file in binary format which contains SHA-256 hash of the components required for signature.
- Generates output header binary file based on the fields specified in input file.
- Output header binary file does not contain signature.
- Provides flexibility to manually append signature at the end of output header file. Users can use their own custom tool to generate the signature. The signature offset chosen in the header is such that the signature can be appended at the end of the header file.
- This option does not require private key to be provided. But the corresponding public key from the public/private key pair must be provided to calculate correct SHA-256 hash.
- The SHA-256 hash generated over CF header (in case of TA1.x platforms) is then signed using RSA algorithm (OpenSSL APIs) with the private key. This encrypted hash is known as digital signature. This signature is placed at an offset from the CF header, which is later read by IBR.
- The SHA-256 hash generated over the CSF header, the public Key, the SG table, and the ESBC are also signed using RSA algorithm with the same private key. The signature generated is placed at an offset from the CSF header, which is again later read by IBR.

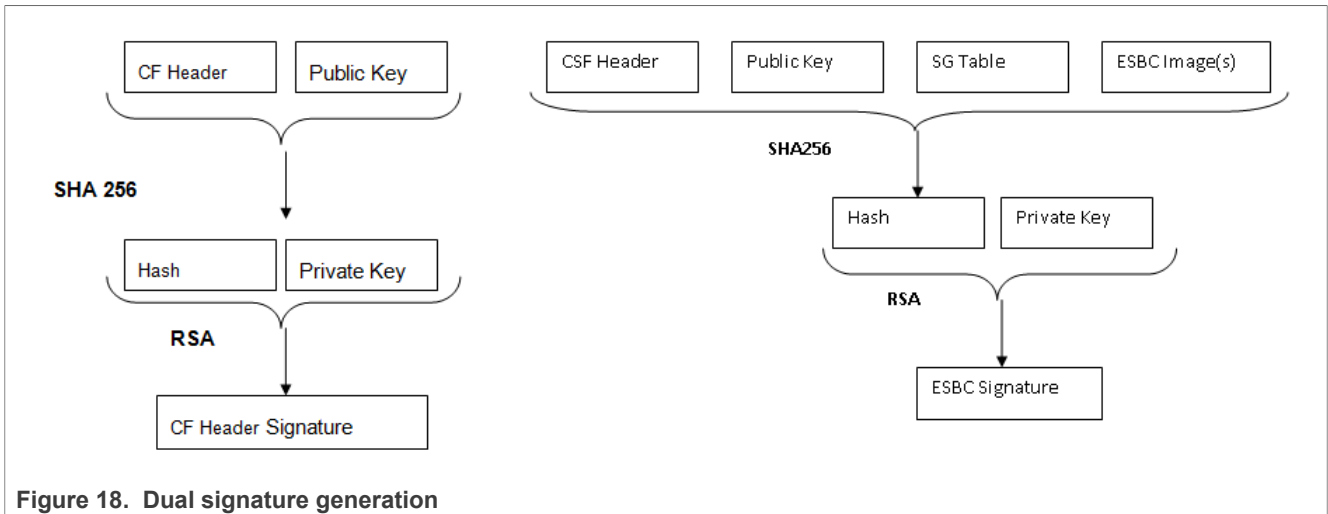


Figure 18. Dual signature generation

Usage example:

```
./uni_sign --img_hash --verbose input_files/uni_sign/ls2088_1088/
input_kernel_secure
#-----#
#-----#
#----- CST (Code Signing Tool) Version 2.0 -----#
#-----#
#-----#
=====
This tool includes software developed by OpenSSL Project
for use in the OpenSSL Toolkit (http://www.openssl.org/)
This product includes cryptographic software written by
Eric Young (eay@cryptsoft.com)
=====
Input File is input_files/uni_sign/ls2088_1088/input_kernel_secure version
number1
-----
- Dumping the Header Fields
-----
- SRK Information
- SRK Offset : 200
- Number of Keys : 1
- Key Select : 1
- Key List :
- Key1 srk.pub(100)
- UID Information
- UID Flags = 00
- FSL UID = 00000000_00000000
- OEM UID0 = 00000000
- OEM UID1 = 00000000
- OEM UID2 = 00000000
- OEM UID3 = 00000000
- OEM UID4 = 00000000
- FLAGS Information
- MISC Flags = 00
- Image Information
- kernel.itb (Size = 00500000 SRC = 00000000_a0000000)
- RSA Signature Information
- RSA Offset : 800
- RSA Size : 80
```

```
-----
Image Hash:
094e71bd9072bfd9bfe9166203c0239cda0890f6b68503bba7b16f82cf4124ef
*****
* Image Hash Stored in File: hash.out
* Header File is w/o Signature appended
*****
Header File Created: hdr_kernel.out
SRK (Public Key) Hash:
67b37ae9808a60f372ee1530f19e4b373e89749742c6ff8740e89457538aebe5
SFP SRKHR0 = 67b37ae9
SFP SRKHR1 = 808a60f3
SFP SRKHR2 = 72ee1530
SFP SRKHR3 = f19e4b37
SFP SRKHR4 = 3e897497
SFP SRKHR5 = 42c6ff87
SFP SRKHR6 = 40e89457
SFP SRKHR7 = 538aebe5
```

The tools are provided to create the signature file and embed the signature at the end of header file.

5.1.1.4.3.1 gen_sign

This utility is provided for the user to calculate signature for a given hash using CST. The tool requires only the hash file and the private key file as input. It generates signature file as output.

It uses RSA_sign API of OpenSSL to calculate signature over hash provided.

Command usage

```
./gen_sign [option] <HASH_FILE> <PRIV_KEY_FILE>
```

Table 43. Command options

Option	Description
[option]	--sign_file SIGN_FILE: Provides filename for signature to be generated as operand. SIGN_FILE is generated containing signature calculated over hash provided through HASH_FILE using private key provided through PRIV_KEY_FILE. With this option, HASH_FILE and PRIV_KEY_FILE are compulsory while SIGN_FILE is optional. The default value of SIGN_FILE is sign.out
HASH_FILE	Name of the hash file containing hash over signature needs to be calculated
PRIV_KEY_FILE	Name of key file containing private key

Usage example:

After the hash file has been created as described in [Section 5.1.1.4.3](#), the tool can be used as described below.

```
$ ./uni_sign --img_hash --verbose input_files/uni_sign/ls2088_1088/
input_kernel_secure
.
.
.
*****
* Image Hash Stored in File: hash.out
* Header File is w/o Signature appended
*****
Header File Created: hdr_kernel.out
$ ./gen_sign hash.out srk.pri
```

```
#-----#
#-----#
#----- CST (Code Signing Tool) Version 2.0 -----#
#-----#
#-----#
Signature Length = 80
Hash in hash.out is signed with srk.pri
Signature is stored in file : sign.out
```

5.1.1.4.3.2 sign_embed

This tool embeds signature in the header file generated using img_hash option. The img_hash option generates header but does not embed signature in the header. sign_embed opens the header file and copies the signature at the end of the file.

The header file generated with the img_hash option has padding added till signature offset, so that the signature can be directly embedded at the end of the file.

Command usage

```
./sign_embed <hdr_file> <sign_file>
```

Table 44. Command options

Option	Description
hdr_file	Name of header file in which signature needs to be embedded
sign_file	Name of sign file containing signature which needs to be embedded

Usage example:

```
$ ./sign_embed hdr_kernel.out sign.out
#-----#
#-----#
#----- CST (Code Signing Tool) Version 2.0 -----#
#-----#
#-----#
hdr_kernel.out is appended with file sign.out (0x80)
```

Note: You can generate the complete header along with signature in single step using the uni_sign/uni_pbi tool without any option.

```
./uni_sign <input_file>
```

Or

You can perform three separate steps:

1. ./uni_sign --img_hash <input_file> (Creates header file without signature and stores the hash in a separate file)
2. ./gen_sign² [option] <HASH_FILE> <PRIV_KEY_FILE> (Signs the image hash using private key)
3. ./sign_embed <hdr_file> <sign_file> (Embeds the signature at the end of the header file)

5.1.1.5 Procedure to run secure boot

This section describes the steps to run secure boot on the NXP Layerscape family SOC-based boards:

² This may be done by your own tool in case you do not want to share the private key with the CST tool.

1. Prepare board for secure boot:
 - a. [Enable POVDD](#)
 - b. [Program OTPMK](#)
 - c. [Program SRK](#)
2. Build the secure boot images for NXP CoT and Arm CoT [manually using TF-A](#).
3. [Program secure boot images for NXP CoT and Arm CoT](#)
4. [Steps to run chain of trust with confidentiality](#)

5.1.1.5.1 Secure boot execution flow

You can execute Secure boot flow on a board using either of the following methods:

- Chain of Trust
- Chain of Trust with confidentiality

For details:

- About TA 2.x chain of trust, see [Section 5.1.1.3.1](#).
- About TA 3.x chain of trust, see [Section 5.1.1.3.2](#).

5.1.1.5.1.1 Secure boot execution flow for Chain of Trust

To run secure boot via Chain of Trust:

1. Setup the board based on whether you want to run secure boot in Development phase or Production phase.
 - a. Production phase - Set the ITS bit in SFP to ensure that the system operates in secure and trusted manner. Once the SFP ITS fuse is blown, it cannot be changed.
Note: For details, see "Chapter 8 Trusted Manufacturing Process" in *QorIQ Trust Architecture 3.0 User Guide* or "Section 5.5 Trusted Manufacturing Process" in *QorIQ Trust Architecture 2.1 User Guide*.
 - b. Development phase - Do not blow the ITS fuse, set RCW[SB_EN] = 1 to enable secure boot.
2. Blow other required fuses (OTPMK and SRKH) in SFP. For details, see [Section 5.1.1.5.2.3](#) and [Section 5.1.1.5.2.4](#). Blowing of OTPMK is essential to run secure boot for both Production and Development phases.
Note: SRK hash in the fuse should be same as the hash of the key pair being used to sign the PBI and U-Boot images. For testing purpose, the SRK hash can be written in the mirror registers. `gen_otpmk_drbg` utility in CST can be used to generate the OTPMK key.
3. Program secure boot images. For details, see [Section 5.1.1.5.4](#)
 - a. Production phase – Program secure boot images at the default bank addresses.
 - b. Development phase – For demo purpose, you can program the alternate bank addresses from the default bank and then switch to the alternate bank.
4. Power on the board.
 - a. If secure boot images are flashed on default bank (for Production/Development phase) - On power-on, ISBC code gets control and validates the ESBC image. ESBC image further validates the signed Linux, rootfs, and dtb images. The board boots to Linux.
 - b. If secure boot images are flashed on alternate bank (for Development phase) - On power-on, the board boots from default bank. When you switch to alternate bank, ISBC code gets control and validates the ESBC image. ESBC image further validates the signed Linux, rootfs, and dtb images. The board boots to Linux.

5.1.1.5.1.2 Secure boot execution flow for Chain of Trust with confidentiality

To run secure boot using Chain of Trust with confidentiality, perform the following steps:

1. Setup the board based on whether you want to run secure boot in the Development phase or Production phase.
 - Production phase: To ensure that the system operates in secure and trusted manner, set the ITS bit in SFP. After the SFP ITS fuse is blown, it cannot be changed.

Note: For details, see "Chapter 8 Trusted Manufacturing Process" in QorIQ Trust 3.0 User Guide or "Section 5.5 Trusted Manufacturing Process" in QorIQ Trust Architecture 2.1 User Guide.
 - Development phase: Do not blow the ITS fuse, set RCW[SB_EN] = 1 to enable secure boot.
2. Blow other required fuses (OTPMK and SRKH) in SFP. For details, see [Section 5.1.1.5.2.3](#) and [Section 5.1.1.5.2.4](#). Blowing of OTPMK is essential to run secure boot for both Production and Development phases.

Note: SRK hash in the fuse should be same as the hash of the key pair being used to sign the PBI and U-Boot images. For testing purpose, the SRK hash can be written in the mirror registers. `gen_otpmk_drbg` utility in CST can be used to generate the OTPMK key.
3. Program secure boot images. For details, see [Section 5.1.1.5.4](#)
 - Production phase: Program secure boot images at the default bank addresses.
 - Development phase: For demo purpose, you can program the alternate bank addresses from the default bank and then switch to the alternate bank.
4. Power on the board.

Note: For details about **blob enc command**, see [Section 5.2.1.2.3](#). For details about **blob dec command**, see [Section 5.2.1.2.4](#). For details about **encap and decap bootscripts**, see [Section 5.2.1.2.5.2](#)

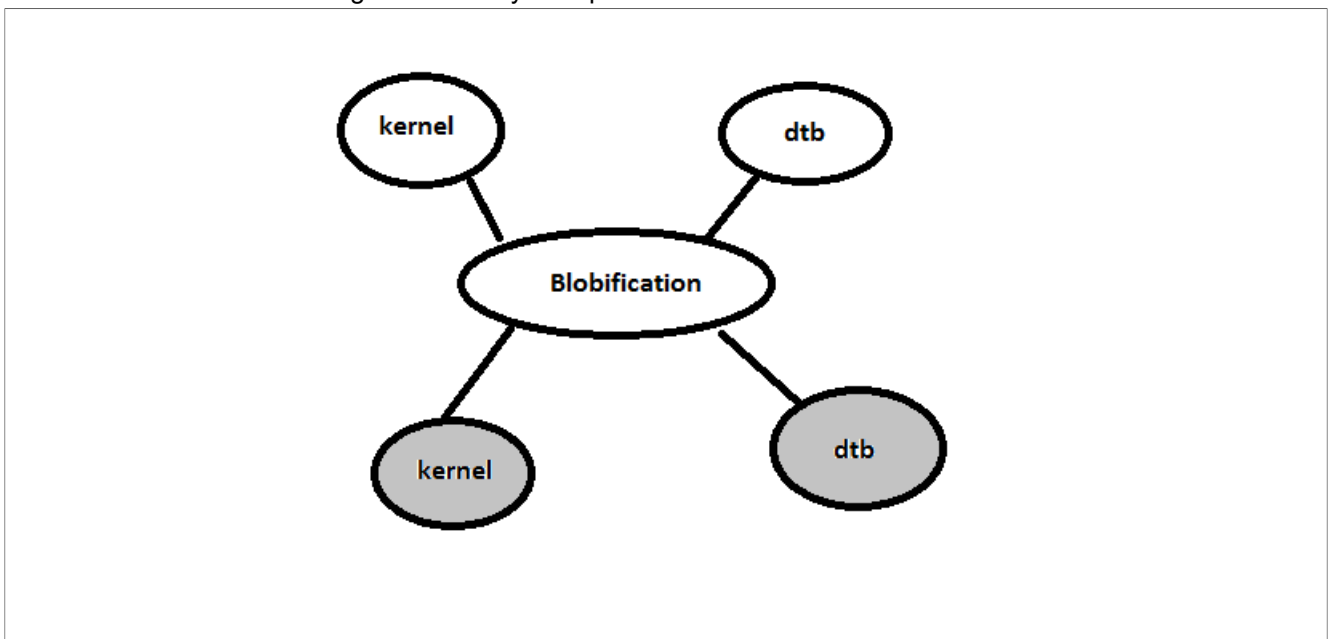
 - a. If secure boot images are flashed on default bank (for Production/Development phase) -
 - On power-on, the ISBC code gets control and validates the ESBC image. The ESBC image further validates the signed Linux, rootfs, and dtb images. The board boots to Linux.
 - First boot: Encapsulation step

Note: This step is performed in the OEM(s) premise.

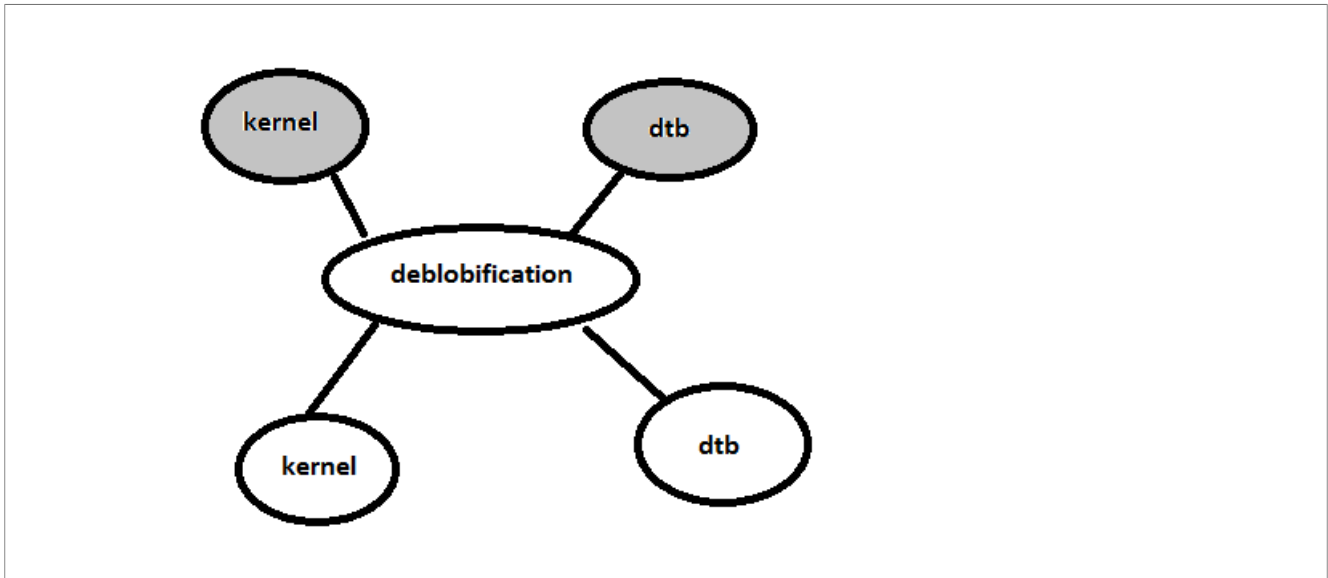
 - i. By default, the encap and decap bootscripts are installed in the boot partition.
 - ii. When the board boots up for the first time after all images have been generated, encap bootscript executes.

This bootscript:

 - i. Authenticates and encapsulates Linux and dtb images and replaces the unencrypted Linux and dtb images with newly encapsulated Linux and dtb.



- ii. Replaces the encap bootscript and header with the decap bootscript and its header, already present in the boot partition.
 - iii. Issues reset.
- Subsequent boot:
 - i. U-Boot would execute script with decap commands
 - i. Un-blobify Linux and dtb image in DDR.
 - ii. Pass control to these images.



b. If secure boot images are flashed on alternate bank (for Development phase) - On power-on, the board boots from default bank. When you switch to alternate bank, the secure boot flow as mentioned above would execute.

5.1.1.5.2 Prepare board for Secure boot

To prepare a board for secure boot, you must perform the following steps:

1. [Enable POVDD](#).
2. Blow fuses by using any of the following options:
 - Program SFP registers:
 - a. [Program OTPMK](#).
 - b. Program SRKH in production environment using one of the following options:
 - [Section "Program SRKH mirror registers in U-Boot environment"](#)
 - [Section "Program SRKH mirror registers in CodeWarrior environment"](#)

Table 45. SFP registers

OTPMKR0..OTPMKR7	SRKHR0..SRKHR7
0x1e80234..0x1e80250	0x1e80254..0x1e80270

- [Build and deploy fuse provisioning image on the board](#).
This method is useful if you need to blow fuses on multiple boards.
3. Disable POVDD.
You must remove the jumpers that you have set in [Section 5.1.1.5.2.1](#).

5.1.1.5.2.1 Enable POVDD

To enable POVDD for different Layerscape platforms, perform the following steps:

1. TWR-LS1021A:
 - Put J11 to enable SNVS in check state
 - POVDD (J8 and J9)
2. LS1043ARDB:
 - Put J13 to enable PWR_PROG_SFP
3. LS1012ARDB:
 - Through I2C transactions, write to LDO1CT register to change LDO1EN bit in vr5100
 - `i2c mw 0x08 0x6c 0x10`
4. FRWY-LS1012A:
 - Put J37 to enable PROG_SFP
 - Through I2C transactions, write to LDO1CT register to change LDO1EN bit in vr5100
 - `i2c mw 0x08 0x6c 0x10`
5. LS1046ARDB:
 - Put J21 to enable PWR_PROG_SFP
6. LS2088ARDB:
 - Put J12 to enable PWR_PROG_SFP
7. LS1088ARDB:
 - Put J10 to enable PWR_PROG_SFP
8. LX2160ARDB:
 - Put J9 to enable PROG_SFP
9. LX2162AQDS:
 - Put J35 to enable PROG_SFP
 - Set SW9[4] = 1
 - LED to verify - D15

5.1.1.5.2.2 Byte swap for reading and writing SRKH/OTPMK

SRKH and OTPMK should be carefully written keeping in mind the SFP Block Endianness. If SRKH and OTPMK are written using Core, then swap SRKH and OTPMK. However, if SRKH and OTPMK are written using DAP or SFP, swap is not required. Refer the following table for details.

Console	SRKH/OTPMK generated order from CST	SRKH/OTPMK write order	SRKH/OTPMK Read order	Endianness
U-Boot	order_1	reverse order_1	reverse order_1	Core endianness
CCS	order_1	order_1	order_1	SFP endianness (DAP)

For example:

Assuming following SRKH values are generated:

```
SRK (Public Key) Hash:
fdc2fed4317f569e1828425ce87b5cfd34beab8fdf792a702dff85e132a29687
    SFP SRKHR0 = fdc2fed4
    SFP SRKHR1 = 317f569e
    SFP SRKHR2 = 1828425c
    SFP SRKHR3 = e87b5cfd
    SFP SRKHR4 = 34beab8f
```



```
SFP SRKHR5 = df792a70
SFP SRKHR6 = 2dff85e1
SFP SRKHR7 = 32a29687
```

To permanently write SRKH using DAP/SFP, execute following commands at the CCS console :

```
ccs::write_mem 32 0x1e80254 4 0 0xfdc2fed4
ccs::write_mem 32 0x1e80258 4 0 0x317f569e
ccs::write_mem 32 0x1e8025c 4 0 0x1828425c
ccs::write_mem 32 0x1e80260 4 0 0xe87b5cfd
ccs::write_mem 32 0x1e80264 4 0 0x34beab8f
ccs::write_mem 32 0x1e80268 4 0 0xdf792a70
ccs::write_mem 32 0x1e8026c 4 0 0x2dff85e1
ccs::write_mem 32 0x1e80270 4 0 0x32a29687
```

To permanently write SRKH using core, execute the following commands at the U-Boot console:

```
mw.l 0x1e80254 0xd4fec2fd
mw.l 0x1e80258 0x9e567f31
mw.l 0x1e8025c 0x5c422818
mw.l 0x1e80260 0xfd5c7be8
mw.l 0x1e80264 0x8fabbe34
mw.l 0x1e80268 0x702a79df
mw.l 0x1e8026c 0xe185ff2d
mw.l 0x1e80270 0x8796a232
mw.l 0x1e80020 0x2
```

5.1.1.5.2.3 Program OTPMK

After [enabling POVDD](#), follow these steps to program OTPMK at U-Boot:

1. Verify the SNVS register - HPSR to check whether OTPMK is fused already.

```
=> md $SNVS_HPSR_REG
88000900
```

Note: LX2162AQDS doesn't support reading register via U-Boot (using the md command). To verify SNVS register status for LX2162AQDS, access register 0x1e90014 via CCS command.

OTPMK_ZERO_BIT (second nibble) is 1, indicating that OTPMK is not fused.

In case it is read as 00000000, make sure that core is running in secure mode, and then read this register using JTAG (in development mode only through CWTAP).

2. Fuse OTPMK, if not fused already.
 - a. Generate OTPMK.
 - i. cd cst
 - ii. ./gen_otpmk_drbg -b 2
3. Fuse OTPMK.

```
=> mw.l $OTPMKR0 <OTMPKR_0_32Bit_val> => mw.l $OTPMKR1 <OTMPKR_1_32Bit_val>
=> mw.l $OTPMKR2 <OTMPKR_2_32Bit_val> => mw.l $OTPMKR3 <OTMPKR_3_32Bit_val>
=> mw.l $OTPMKR4 <OTMPKR_4_32Bit_val> => mw.l $OTPMKR5 <OTMPKR_5_32Bit_val>
=> mw.l $OTPMKR6 <OTMPKR_6_32Bit_val> => mw.l $OTPMKR7 <OTMPKR_7_32Bit_val>
```

4. At the U-Boot prompt, verify that the SNVS registers for OTPMK are correctly written.
 - a. Check if OPTMK is fused.

```
=> md $SNVS_HPSR_REG
80000900
```

OTPMK_ZERO_BIT (second nibble) is 0, indicating that OTPMK is fused.

In case it is read as 00000000, then read this register using JTAG (in development mode only through CWTAP).

- b. Read OTPMK.

```
=> md $OTPMKR0 0x10
01e80234: ffffffff ffffffff ffffffff ffffffff .....
01e80244: ffffffff ffffffff ffffffff ffffffff .....
```

Note: OTPMK is not visible in plain.

5.1.1.5.2.4 Program SRKH mirror registers

Program SRKH mirror registers in CodeWarrior environment

To successfully execute any of the sequences described below on any TA 3.x platform, it is important to reconfigure the target boards first so that a reset request from the SoC (HRESET_REQ) will not automatically result in an SoC reset triggered by board logic like a CPLD. The NXP reference boards for TA 3.x platforms have jumpers or DIP switches to disable the automatic HRESET_REQ handling and can put the board into a Reset Sequence Pause (RSP). While some examples are given, details can be found in the board-specific documentation on how to enable RSP behavior.

1. Platforms LS1021A, LS1012A, LS1043A, LS1046A (TA 2.x)

- a. After copying images to flash, select the boot source by changing the switch settings, then boot the board.
- b. When the bitbake command is executed with -s option, the command uses secure RCW, with RCW[BOOT_HO] = 1 and RCW[SB_EN]=1, for building images.
After booting the board, core would stop at its first instruction. This is done to allow the user to write SRKH in the register. When using pre-built images, use the SRKH present in srk_hash.txt from GitHub. If SRKH fuse is already blown, then set RCW[BOOT_HO] = 0 in RCW file in bitbake, else write the SRKH value (displayed while signing images) in SFP mirror registers and then release the core out of boot hold off by writing to Boot Release Register in DCFG using the below commands:

```
ccs::config_server 0 10000
ccs::config_chain {<platform> dap sap2}
display ccs::get_config_chain
# Check Initial SNVS State and Value in SCRATCH Registers
ccs::display_mem <dap position> 0x1e90014 4 0 4
ccs::display_mem <dap position> 0x1ee0200 4 0 4
#Write the SRK Hash Value in Mirror Registers
ccs::write_mem <dap position> 0x1e80254 4 0 <SRKH0>
ccs::write_mem <dap position> 0x1e80258 4 0 <SRKH1>
ccs::write_mem <dap position> 0x1e8025c 4 0 <SRKH2>
ccs::write_mem <dap position> 0x1e80260 4 0 <SRKH3>
ccs::write_mem <dap position> 0x1e80264 4 0 <SRKH4>
ccs::write_mem <dap position> 0x1e80268 4 0 <SRKH5>
ccs::write_mem <dap position> 0x1e8026c 4 0 <SRKH6>
ccs::write_mem <dap position> 0x1e80270 4 0 <SRKH7>
#Get the Core Out of Boot Hold-Off
ccs::write_mem <dap position> 0x1ee00e4 4 0 0x00000001
```

Note:

- <platform> in the above commands to be used is in lowercase, ls1043a for ls1043a, ls1046a, and ls1012a.
- TWR-LS1021A board uses config command as ccs::config_chain {ls1020a dap {8 1} }

2. Platforms LS1088A, LS2088A (TA 3.x)

In these platforms, key hash is written into registers by putting the core into RSP, after this, connect to the board and blow SRKH using CCS. When using pre-built images, use the SRKH present in `srk_hash.txt` from GitHub.

If running in production environment (refer the note below for more information), i.e if the SRKH fuses are already blown, then no need to put the SoC into RSP, just change the bank/boot-source and boot, else follow the steps below:

a. **Steps to put SoC in RSP (Reset Sequence Pause)**

i. LS2088A:

Rev1 RDB Board Switch (Rev B): SW3[8] – 0.

Switch (Rev C to Rev F): SW4[8] – 0.

To boot from vbank4, change SW9[3:5] to 100.

ii. LS1088A: U-Boot command to put SoC in RSP:

```
sd secure boot: i2c mw 66 60 20;i2c mw 66 66 7f;i2c mw 66 10 10;i2c mw
66 10 21
qspi secureboot : i2c mw 66 50 20 ;i2c mw 66 66 7f;i2c mw 66 10 20;i2c
mw 66 10 21
```

b. After putting the SoC into RSP, reset the board. Then, use the below commands to write SRKH in the SFP mirror registers.

```
ccs::config_chain {<platform> sap2}
display ccs::get_config_chain
puts "Entry RSP: "
ccs::write_mem 2 0x7 0x001000D0 0x4 0x0 0x800
set ::littleendian(2) 1
ccs::write_mem <sap position> 0x1e80254 4 0 <SRKH0>
ccs::write_mem <sap position> 0x1e80258 4 0 <SRKH1>
ccs::write_mem <sap position> 0x1e8025c 4 0 <SRKH2>
ccs::write_mem <sap position> 0x1e80260 4 0 <SRKH3>
ccs::write_mem <sap position> 0x1e80264 4 0 <SRKH4>
ccs::write_mem <sap position> 0x1e80268 4 0 <SRKH5>
ccs::write_mem <sap position> 0x1e8026c 4 0 <SRKH6>
ccs::write_mem <sap position> 0x1e80270 4 0 <SRKH7>
set ::littleendian(2) 0
puts "Exiting RSP: "
ccs::write_mem 2 0x7 0x001000D0 0x4 0x0 0x400
```

Note: If RSP has been entered via a DIP switch that permanently pulls the corresponding configuration signal on the IFC, the corresponding DIP switch must be reset before exiting RSP or the IFC will be unusable!

3. **Platform LX2160A (TA 3.x)**

Note: Out of RSP is implemented in only specific FPGA versions (RDB version 1-4, 9 and newer). Check the U-Boot log to confirm that the board has the correct FPGA version that supports this feature.

Below are the steps to put the LX2160A in RSP and write SRKH in SFP mirror registers:

```
ccs::config_chain {lx2160a dap}
jtag::lock
#To Read the Content of TPINSVSR SEL (TPINSVSR) register
jtag::scan_io 0 8 0x92
jtag::scan_io 1 64 0x0 # this will give the content of the register as output
# To write to TAP Configuration Pin Override Control Register (TCPOVCR)
jtag::scan_io 0 8 0x93
##Setting the override bit (bit 0) to 1 and the RSP enable bit (bit 42) to 0.
#Bits 1-9 signifies RCW source. So, change the below command accordingly.
##Note : Read the value first using command "jtag::scan_io 0 8 0x92" and then
set # the mentioned above bits with their corresponding value, keeping other
bit values
# same.
```

```

jtag::scan_io 1 64 0x00000103713F001F # in case of FlexSPI NOR for LX2160ARDB
#Or
jtag::scan_io 1 64 0x0000010271000011 # in case of RCW SRC as SD (ESDHC1) for
LX2160ARDB
jtag::unlock
After executing the above steps, do POR , and then run the following commands
ccs::config_chain {lx2160a sap2}
display ccs::get_config_chain
ccs::stop_core 1 # Core index of Cortex-A5 to be used.
ccs::write_mem 1 0x1E80254 4 0 <SRKH1>
ccs::write_mem 1 0x1E80258 4 0 <SRKH2>
ccs::write_mem 1 0x1E8025c 4 0 <SRKH3>
ccs::write_mem 1 0x1E80260 4 0 <SRKH4>
ccs::write_mem 1 0x1E80264 4 0 <SRKH5>
ccs::write_mem 1 0x1E80268 4 0 <SRKH6>
ccs::write_mem 1 0x1E8026c 4 0 <SRKH7>
ccs::write_mem 1 0x1E80270 4 0 <SRKH8>
# To get the board out of RSP
ccs::write_mem 1 0x101000D0 0x4 0x0 0x000c0000
ccs::run_core 1

```

4. Platform LS1028A (TA 3.x)

Below are the steps to put the LS1028A in RSP and write SRKH in SFP mirror registers:

```

ccs::config_chain {ls1028a dap};
display ccs::get_config_chain;
ccs::config_chain testcore;
jtag::lock;
jtag::state_move test_logic_reset;
jtag::scan_out ir 4 3;
jtag::scan_out dr 6 1;
jtag::scan_io ir 8 0x93;
jtag::scan_io dr 64 0x0;
jtag::scan_io ir 8 0x92;
jtag::scan_io dr 64 0x0;
jtag::set_pin 0 0;
after 100;
puts [jtag::scan_io ir 8 0x93];
puts [jtag::scan_io dr 64 0x0000010071FF001F]; // For FlexSPI boot
jtag::set_pin 0 1;
jtag::unlock;
ccs::config_chain {ls1028a dap};
display ccs::get_config_chain;
ccs::write_mem 2 0x7 0x001000D0 4 0 0x00080000
ccs::stop_core 1 #Core index of Cortex-A5 to be used.
ccs::write_mem 1 0x1E80254 4 0 SRKH 0;
ccs::write_mem 1 0x1E80258 4 0 SRKH 1;
ccs::write_mem 1 0x1E8025c 4 0 SRKH 2;
ccs::write_mem 1 0x1E80260 4 0 SRKH 3;
ccs::write_mem 1 0x1E80264 4 0 SRKH 4;
ccs::write_mem 1 0x1E80268 4 0 SRKH 5;
ccs::write_mem 1 0x1E8026c 4 0 SRKH 6;
ccs::write_mem 1 0x1E80270 4 0 SRKH 7;
ccs::run_core 1;
ccs::write_mem 2 0x7 0x001000D0 4 0 0x00040000;

```

After implementing all the steps, the board will boot and user will get the Linux prompt after **successful validation** of all the images.

Note:

- *<platform>* in the above commands to be used is in lowercase: *ls2085a* for *ls2088* and *ls1080a* for *ls1088*.
- To blow SRKH in production environment, follow procedure similar to blowing OTPMK fuses.
- For detail about secure boot execution flow in production and development environments, refer [Section 5.1.1.5.1](#).

Program SRKH mirror registers in U-Boot environment

After [enabling POVDD](#), follow these steps to program SRKH registers at U-Boot:

1. Check if SRKH is fused.

```
=> md $SRKHR0 0x10 01e80254: 00000000 00000000 00000000
00000000 ..... 01e80264: 00000000 00000000 00000000
00000000 .....
```

Zero indicates that SRKH is not fused.

2. Fuse SRKH, if not fused already.

```
=> mw.l $SRKHR0 <SRKHR_0_32Bit_val>
=> mw.l $SRKHR1 <SRKHR_1_32Bit_val>
=> mw.l $SRKHR2 <SRKHR_2_32Bit_val>
=> mw.l $SRKHR3 <SRKHR_3_32Bit_val>
=> mw.l $SRKHR4 <SRKHR_4_32Bit_val>
=> mw.l $SRKHR5 <SRKHR_5_32Bit_val>
=> mw.l $SRKHR6 <SRKHR_6_32Bit_val>
=> mw.l $SRKHR7 <SRKHR_7_32Bit_val>
```

Note: SRKH should be carefully written considering the SFP block endianness.

3. Check if SRKH is fused.

For example, if following SRKH is written:

```
SFP SRKHR0 = fdc2fed4 SFP SRKHR1 = 317f569e SFP SRKHR2 = 1828425c SFP SRKHR3
= e87b5cfd SFP SRKHR4 = 34beab8f SFP SRKHR5 = df792a70 SFP SRKHR6 = 2dff85e1
SFP SRKHR7 = 32a29687
```

Then, following could be the value on dumping SRKH.

```
=> md $SRKHR0 0x10 01e80254: d4fec2fd 9e567f31 5c422818 fd5c7be8 ....1.V..(B
\.{\ 01e80264: 8fabbe34 702a79df e185ff2d 8796a232 4....y*p-...2...
```

Note: SRKH is visible in plain because of the SFP block endianness.

5.1.1.5.2.5 Write SFP_INGR register

CAUTION: Do not proceed to the steps in this topic, until you are sure that OTPMK and SRKH are correctly fused, as explained in the topics above. After the next step, fuses are burnt permanently, which cannot be undone.

1. Write SFP_INGR[INST] with the PROGFB(0x2) instruction to blow the fuses.

Table 46. SFP_INGR register

Platform	SFP_INGR_REG	SFP_WRITE_DATA_FRM_MIRROR_REG_TO_FUSE
LS1021A, LS1012A, LS1043A, LS1046A	0x01E80020	0x02000000
LS1088A, LS2088A, LX2160A, LS1028A,	0x01E80020	0x2

Table 46. SFP_INGR register...continued

Platform	SFP_INGR_REG	SFP_WRITE_DATA_FRM_MIRROR_REG_TO_FUSE
LX2162A		

```
=> mw $SFP_INGR_REG $SFP_WRITE_DATA_FRM_MIRROR_REG_TO_FUSE
```

2. Reset the board.
3. Check if OTPMK is fused.

```
=> md $SNVS_HPSR_REG
=> 80000900
```

OTPMK_ZERO_BIT (second nibble) is zero, indicating that OTPMK is fused. In case it is read as 00000000, then read this register using JTAG (in development mode only through CWTAP).

4. Read OTPMK.

```
=> md $OTPMKR0 0x10
01e80234: ffffffff ffffffff ffffffff ffffffff .....
01e80244: ffffffff ffffffff ffffffff ffffffff .....
```

Note: *OTPMK is not visible in plain.*

5. Read SRK hash.

```
=> md $SRKHR0 0x10 01e80254: d4fec2fd 9e567f31 5c422818 fd5c7be8 ....1.V..(B
.\{\. 01e80264: 8fabbe34 702a79df e185ff2d 8796a232 4....y*p-...2...
```

Note: *SRKH is visible in plain because of the SFP block endianness.*

5.1.1.5.3 Build secure boot TF-A images manually

5.1.1.5.3.1 Build secure boot TF-A images for NXP CoT

To build secure boot TF-A images for NXP CoT, you need to specify following options in the `make` command:

- Set `TRUSTED_BOARD_BOOT=1` to enable trusted board boot. NXP CoT is enabled automatically when `TRUSTED_BOARD_BOOT=1` and `MBEDTLS_DIR` path is not specified.
- Specify path of the CST repository as `CST_DIR` to generate CSF headers. In NXP CoT, CSF header is embedded to the BL31, BL32, and BL33 images. Default input files for CSF header generation are available in `CST_DIR`. As per the default input file, you need to generate following RSA key pairs and add them to the ATF repository:
 - `srk.pri`
 - `srk.pub`

The RSA key pairs can be generated using the [gen_keys](#) CST tool. To change the input file, you can use the options `BL33_INPUT_FILE`, `BL32_INPUT_FILE`, `BL31_INPUT_FILE`.

The secure boot flow can be implemented in two modes:

- **Development:** In the development mode (`RCW[SB_EN] = 1`, `ITS = 0`), if ROTPK comparison fails, the boot flow continues. However, SNVS is transitioned to the non-secure state.
- **Production:** In the production mode (`ITS = 1`), any failure results in fatal failure.

`TRUSTED_BOARD_BOOT` can be enabled in non-secure boot flow also. However, ROTPK is ignored in non-secure boot flow and failures do not result in SNVS transition.

To build secure boot TF-A binaries, BL2 and FIP, for NXP CoT, run this command:

Note: To build RCW binary, see [Section 4.2.3.1](#)

To build OP-TEE binary, see [Section 5.3.1.1.3](#)

To build secure U-Boot binary, see [Section 5.2.1.2.6](#)

```
make PLAT=<platform> TRUSTED_BOARD_BOOT=1 CST_DIR=$CST_DIR_PATH \
    RCW=$RCW_BIN \
    BL32=$TEE_BIN SPD=opteed\
    BL33=$UBOOT_SECURE_BIN \
    pbl \
    fip
```

To build DDR FIP binary (Supported only for LX2162AQDS or LX2160ARDB):

```
make PLAT=<platform> TRUSTED_BOARD_BOOT=1 CST_DIR=$CST_DIR_PATH fip_ddr
```

To prepend CSF headers to BL31, BL32, and BL33 images:

```
make PLAT=<platform> all fip pbl SPD=opteed BL32=tee.bin BL33=u-boot.bin \
    RCW = <secure bot RCW> \
    TRUSTED_BOARD_BOOT=1 CST_DIR=<cst dir path> BL33_INPUT_FILE=<ip file>
BL32_INPUT_FILE=<ip_file> \
    BL31_INPUT_FILE = <ip file>
```

The secure boot binaries for NXP CoT are available in the `atf` directory:

- `build/<platform>/release/fip.bin`
- `build/<platform>/release/ddr_fip_sec.bin` (Supported only for LX2162AQDS or LX2160ARDB)
- `build/<platform>/release/bl2_flexspi_nor_sec.pbl`

5.1.1.5.3.2 Build secure boot TF-A images for Arm CoT

Note: Arm CoT is supported only for LX2160ARDB and LX2162AQDS platforms.

To build secure boot TF-A images for Arm CoT, you need to specify following options in the `make` command:

- Set `TRUSTED_BOARD_BOOT=1` to enable trusted board boot.
- Specify `mbedtld` dir path in `MBEDTLS_DIR`.
- Specify path of the CST repository as `CST_DIR` to generate CSF headers. CSF header is embedded to the BL2 images.
- Set `GENERATE_COT=1` to add the `cert_create` tool to the build environment. The `cert_create` tool generates:
 - X.509 certificates as `(.crt)` files
 - X.509 Pem key file as `(.pem)` files
- Set `SAVE_KEYS=1` to save the keys and certificates. ROTPK for X.509 certificates is generated and embedded in `bl2.bin`. ROTPK is verified as part of Chain of Trust process executed by BootROM during secure boot.

Note: `SAVE_KEYS=1` saves the keys and certificates if `GENERATE_COT=1`

Note: If the filenames for keys and certificates are not provided as part of compilation or build command, keys and certificates are saved in the default filenames at the default folder `BUILD_PLAT`.

To build secure boot TF-A binaries, BL2 and FIP, for Arm CoT, run this command:

Note: To build RCW binary, see [Section 4.2.3.1](#)

To build OP-TEE binary, see [Section 5.3.1.1.3](#)

To build secure U-Boot binary, see [Section 5.2.1.2.6](#)

```
make PLAT=<platform> TRUSTED_BOARD_BOOT=1 GENERATE_COT=1 MBEDTLS_DIR=
$MBEDTLS_PATH CST_DIR=$CST_DIR_PATH \
  BOOT_MODE=flexspi_nor \
  RCW=$RCW_BIN \
  BL32=$TEE_BIN SPD=opteed\
  BL33=$UBOOT_SECURE_BIN \
  pbl \
  fip
```

To build DDR FIP binary (Supported only for LX2162AQDS or LX2160ARDB):

```
make PLAT=<platform> TRUSTED_BOARD_BOOT=1 GENERATE_COT=1 MBEDTLS_DIR=
$MBEDTLS_PATH fip_dds
```

The secure boot binaries for Arm CoT are available in the `atf` directory:

- `build/<platform>/release/fip.bin`
- `build/<platform>/release/dds_fip_sec.bin` (Supported only for LX2162AQDS or LX2160ARDB)
- `build/<platform>/release/bl2_flexspi_nor_sec.pbl`

5.1.1.5.4 Program secure boot images

This topic explains steps to flash secure boot firmware image and secure boot TF-A images to the FlexSPI NOR flash on LX2162AQDS.

For steps to program firmware image on different boot mediums on different boards, see the section "Program Layerscape LDP composite firmware image" in the "Quick Start" section for the respective board.

For steps to program TF-A images, see [Section 4.2.3.3](#)

5.1.1.5.4.1 Program secure boot firmware images

1. Flash secure firmware:

```
=>tftp 0xa0000000 firmware_lx2162aqds_xspiboot_secure.img
=>i2c mw 66 50 20;sf probe 0:0;
=>sf erase 0x00 +$filesize
=>sf write 0xa0000000 0x00 $filesize
```

2. Switch to alternate bank:

```
=> qixis_reset altbank
```

5.1.1.5.4.2 Program secure boot TF-A images

1. Flash PBL binary:

```
=> tftp 0x82000000 bl2_flexspi_nor_sec.pbl;
=> i2c mw 66 50 20; sf probe 0:0; sf erase 0 +$filesize; sf write 0x82000000
0x0 $filesize;
```

2. Flash FIP binary:

```
=> tftp 0x82000000 fip.bin;
```



```
=> i2c mw 66 50 20;sf probe 0:0; sf erase 0x100000 +$filesize; sf write
0x82000000 0x100000 $filesize;
```

3. Flash DDR FIP binary:

```
=> tftp 0x82000000 ddr_fip_sec.bin;
=> i2c mw 66 50 20;sf probe 0:0; sf erase 0x800000 +$filesize; sf write
0x82000000 0x800000 $filesize;
```

4. Switch to alternate bank:

```
=> qixis_reset altbank
```

- If board boots to the Linux prompt, then "NXP CoT" is successful. If "NXP CoT" fails, and kernel will not boot up.
- If board boots to the U-Boot prompt, then "Arm CoT" is successful. If "Arm CoT" fails, U-Boot prompt will not come up.

5.1.1.5.5 Program verified boot images for Arm CoT

Note: Verified boot is supported only for LX2162AQDS. For details, see [Section 5.2.1.1](#)

1. Flash PBL binary:

- a. => tftp 0x82000000 bl2_flexspi_nor_sec.pbl;
- b. => i2c mw 66 50 20; sf probe 0:0; sf erase 0 +\$filesize; sf write 0x82000000 0x0 \$filesize;

2. Flash FIP binary:

- a. => tftp 0x82000000 fip_uboot_sec_verified_boot.bin;
- b. => i2c mw 66 50 20;sf probe 0:0; sf erase 0x100000 +\$filesize; sf write 0x82000000 0x100000 \$filesize;

3. Flash DDR FIP binary:

- a. => tftp 0x82000000 fip_ddr_sec.bin;
- b. => i2c mw 66 50 20;sf probe 0:0; sf erase 0x800000 +\$filesize; sf write 0xa0000000 0x800000 \$filesize;

4. Switch to alternate bank:

```
=> qixis_reset altbank
```

5. Flash ITB image:

- a. =>tftp a0000000 kernel-fsl-lx2162a-qds.itb
- b. =>bootm 0xa0000000#lx2162aqds

If the board boots to Linux prompt, then "Arm CoT with Verified Boot" is successful. Else, the verification fails and kernel will not boot up.

5.1.1.5.6 Steps to run chain of trust with confidentiality

1. Generate all images:

```
$ bitbake ls-image-main
```

2. Generate auto bootscript:

```
$ bitbake distrobootscr
```

3. Generating firmware image:

```
$ bitbake qoriq-composite-firmware
```

4. Writing image to SD card:

```
$ flex-installer -b tmp/deploy/image/<board>
bootp_XXX.tgz -r tmp/deploy/image/<board>/ls-image-main-XXX.tar.gz -f tmp/
deploy/image/<board>/firmware_sdboot_secure.img -d /dev/
sdX
```

First boot: Encapsulation step

Note: This step is performed in the OEM(s) premise.

1. By default, the encap and decap bootscripts are installed in the boot partition.
2. When the board boots up for the first time after all images have been generated, Encap bootscript will execute. This bootscript:
 - a. Authenticates and encapsulates Linux and dtb images and replaces the unencrypted Linux and dtb images with newly encapsulated Linux and dtb.
 - b. Replaces the encap bootscript and header with the decap bootscript and its header, already present in the boot partition.
 - c. Issues reset.

Subsequent boot

1. U-Boot would execute script with decap commands.
2. Un-blobify Linux and dtb image in DDR.
3. Pass control to these images.

Note: Chain of trust with confidentiality is not supported for LS1012A in bitbake.

5.1.2 Fuse Provisioning User Guide

5.1.2.1 Introduction

NXP SoC’s TA provides non-volatile secure storage in form of on-chip fuse memory. Following information can be programmed into fuse memory via Security Fuse Processor (SFP):

- One Time Programmable Master Key Registers (OTPMKRs)
- Super Root Key Hash Registers (SRKHRs)
- Debug Challenge and Response Value Registers (DCVRs and DRVRs)
- OEM Security Policy Registers (OSPRs)
- OEM Unique ID/Scratch Pad Registers (OUIDRs)

5.1.2.2 Fuse Programming Scenarios

Table 47. Fuse Programming Scenarios

Phase		NXP Fuses	OEM Fuses	Software
NXP Manufacturing		FUID, FSV, CSFF, WP (+ On TA 3.x, DPL) Can set RT&RDPL up to 4x before shipping part		Fuse programming done on tester, no software involved
OEM Manufacturing (Can be split into two stages if required)	Ship to contract manufacture			
	Minimal Fuse Provisioning		SPKH, DP, CSFF, ITS, Minimal OTPMK and	Fuse provisioning Tool doesn't need to pass secure boot to execute,

Table 47. Fuse Programming Scenarios...continued

Phase		NXP Fuses	OEM Fuses	Software
			Optional OEM UID, DRV/DCV	but must set up the system so that the next boot passes secure boot
	At contract manufacturer or in the field			
	Final Fuse Provisioning		Final OTPMK and DRV, WP Optional OEM UIDs, DCV	Fuse Provisioning Tool passes secure boot
In field, later in lifecycle				
Lifecycle fuse update			Key Revocation, Monotonic Counter Era, OEM Scratchpad, Field Return	Currently no software utility available, can be done by custom app.

5.1.2.2.1 Fuse Provisioning during OEM Manufacturing

This stage may be split into two stages:

Stage 1 (Non-secure boot) – Minimal Fuse Provisioning

The following few fuses (Minimal Fuse File) programmed for secure boot to run:

- SRKH
- CSFF
- Minimal OTPMK

This stage does not pass secure boot to execute, but must set up the system so that the next boot passes secure boot. If this step happens in a trusted environment, OEM can choose to blow all the fuses in this stage itself.

Stage 2 (Secure Boot) – Final Fuse Provisioning

Rest of the fuses can be programmed after secure boot is up and running. This step ends with OEM WP fuse getting blown which renders most of the fuses as un-writable.

5.1.2.3 Fuse Provisioning Utility

Secure firmware provides support to do the fuse provisioning. By default, the support is enabled and requires a built-in. Steps to do so using flex build are available in [Section 5.1.2.4.2](#).

The information about the fuse values to be blown to be provided via a fuse file. The fuse file is a binary file with bits to indicate what fuses to be blown and their corresponding values.

CST provides an input file where user can enter the required values. Tool generates a Fuse file which is parsed in BL2 image to do fuse provisioning.

Secure firmware would have the required checks to determine if the provided input values are correct or not.

For example, OTPMK, SRKH cannot be programmed when OEM_WP is already set in SFP fuses.

5.1.2.3.1 Fuse file structure

		0	1	2	3	4	5	6	7	8	9	10	11	12	13	14	15	16	17	18	19	20	21	22	23	24	25	26	27	28	29	30	31																																																				
		31	30	29	28	27	26	25	24	23	22	21	20	19	18	17	16	15	14	13	12	11	10	9	8	7	6	5	4	3	2	1	0																																																				
Word0	Bariker Code																																																																																				
Word1	Flags	Reserved												OTPMK Flag	Reserved	DB	G	OU	OU	OU	OU	OU	OU	DR	DR	DC	DC	SR	CF	SYS	PO	VD	D																																																				
Word2	GPIO Pin Number	GPIO Pin to be set for raising POVDD																																																																																			
Word3	OTPMK0	OTPMK0																																																																																			
Word4	OTPMK1	OTPMK1																																																																																			
Word5	OTPMK2	OTPMK2																																																																																			
Word6	OTPMK3	OTPMK3																																																																																			
Word7	OTPMK4	OTPMK4																																																																																			
Word8	OTPMK5	OTPMK5																																																																																			
Word9	OTPMK6	OTPMK6																																																																																			
Word10	OTPMK7	OTPMK7																																																																																			
Word11	SRKH0	SRKH0																																																																																			
Word12	SRKH1	SRKH1																																																																																			
Word13	SRKH2	SRKH2																																																																																			
Word14	SRKH3	SRKH3																																																																																			
Word15	SRKH4	SRKH4																																																																																			
Word16	SRKH5	SRKH5																																																																																			
Word17	SRKH6	SRKH6																																																																																			
Word18	SRKH7	SRKH7																																																																																			
Word19	OEM UID0	OEM UID0																																																																																			
Word20	OEM UID1	OEM UID1																																																																																			
Word21	OEM UID2	OEM UID2																																																																																			
Word22	OEM UID3	OEM UID3																																																																																			
Word23	OEM UID4	OEM UID4																																																																																			
Word24	DCV0	DCV0																																																																																			
Word25	DCV1	DCV1																																																																																			
Word26	DRV0	DRV0																																																																																			
Word27	DRV1	DRV1																																																																																			
Word28	OSPR1 - Monoton	MC ERA (16b)																Reserved										D6GLevel																																																									
Word29	OSPRO - Setting of any bit in this field controlled by Sys Cfg field	FR	FR	Res										Res						K0	K1	K2	K3	K4	K5	K6	Res			NS	IT	W																																																					
Word30		1	0																																																																																		
Word31		Reserved																																																																																			
	Bariker Code	Some value to indicate a valid fuse file																																																																																			
	OTPMK Flags	0	0	0	0	Program Minimal Value										0	0	0	1	Program random OTPMK value										0	0	1	0	Program user supplied OTPMK value										0	0	1	0	Program random OTPMK value with pre-programmed minimal value										0	1	1	1	Program user supplied OTPMK value with pre-programmed minimal value										1	x	x	x	Don't blow OTPMK									
	Other flags	1	Blow the fuses as per value indicated in the corresponding word																																																																																		
		0	The corresponding fuse is not supposed to be blown																																																																																		

5.1.2.3.2 Sample input file for fuse provisioning tool

```

-----
# Specify the platform. [Mandatory]
# Choose Platform - LS1/LS1043/LS1012/LS1046
PLATFORM=LS1046
-----
# GPIO Pin to be set for raising POVDD [Optional]
POVDD_GPIO=
-----
# One time programmable master key flags in binary form. [Mandatory]
# 0000 -> Program default minimal OTPMK value
    
```

```
# 0001 -> Program random OTPMK value
# 0010 -> Program user supplied OTPMK value
# 0101 -> Program random OTPMK value with pre-programmed minimal value
# 0110 -> Program user supplied OTPMK value with pre-programmed minimal value
# 1xxx -> Don't blow OTPMK
OTPMK_FLAGS=0000
# One time programmable master key value.
# [Optional dependent on flags, Mandatory in case OTPMK_FLAGS="0010" or "0110"]
OTPMK_0=
OTPMK_1=
OTPMK_2=
OTPMK_3=
OTPMK_4=
OTPMK_5=
OTPMK_6=
OTPMK_7=
-----
# Super root key hash [Optional]
SRKH_0=
SRKH_1=
SRKH_2=
SRKH_3=
SRKH_4=
SRKH_5=
SRKH_6=
SRKH_7=
-----
# Specify OEM UIDs. [Optional]
# e.g OEM_UID_0=11111111
OEM_UID_0=
OEM_UID_1=
OEM_UID_2=
OEM_UID_3=
OEM_UID_4=
-----
# Specify Debug challenge and response values. [Optional]
# e.g DCV_0=11111111
DCV_0=
DCV_1=
DRV_0=
DRV_1=
-----
# Specify Debug Level in binary form. [Optional]
# 000 -> Wide open: Debug portals are enabled unconditionally.
# 001 -> Conditionally open via challenge response, without notification.
# 01x -> Conditionally open via challenge response, with notification.
# 1xx -> Closed. All debug portals are disabled.
DBG_LVL=
-----
# System Configuration register bits in binary form [Optional]
# WP (OEM write protect)
# ITS (Intent to Secure)
# NSEC (Non secure)
# ZD (ZUC Disable)
# K0,K1,K2 (Key revocation bits)
# FR0 (Field return 0)
# FR1 (Field return 1)
WP=
ITS=
NSEC=
```

```
ZD=  
K0=  
K1=  
K2=  
FR0=  
FR1=  
-----  
# Specify the output fuse provisioning file name. (Default:fuse_scr.bin)  
[Optional]  
OUTPUT_FUSE_FILENAME=fuse_scr.bin  
-----
```

5.1.2.4 Deploy and run fuse provisioning

5.1.2.4.1 Enable POVDD

To enable POVDD for different Layerscape platforms, perform the following steps:

1. TWR-LS1021A:
 - Put J11 to enable SNVS in check state
 - POVDD (J8 and J9)
2. LS1043ARDB:
 - Put J13 to enable PWR_PROG_SFP
3. LS1012ARDB:
 - Through I2C transactions, write to LDO1CT register to change LDO1EN bit in vr5100
 - `i2c mw 0x08 0x6c 0x10`
4. FRWY-LS1012A:
 - Put J37 to enable PROG_SFP
 - Through I2C transactions, write to LDO1CT register to change LDO1EN bit in vr5100
 - `i2c mw 0x08 0x6c 0x10`
5. LS1046ARDB:
 - Put J21 to enable PWR_PROG_SFP
6. LS2088ARDB:
 - Put J12 to enable PWR_PROG_SFP
7. LS1088ARDB:
 - Put J10 to enable PWR_PROG_SFP
8. LX2160ARDB:
 - Put J9 to enable PROG_SFP
9. LX2162AQDS:
 - Put J35 to enable PROG_SFP
 - Set SW9[4] = 1
 - LED to verify - D15

5.1.2.4.2 Build fuse provisioning firmware image

Use following bitbake commands to build composite fuse provisioning firmware image. For details about the usage of bitbake, see [Section 3.5](#).

Build Code Signing Tool (CST):

```
$ bitbake qoriq-cst
```

```
$ bitbake qoriq-composite-firmware
```

The newly built composite firmware image is available at the following location:

```
<build-dir>/tmp/deploy/image/<board>/firmware_<machine>_<boottype>boot.img
```

<machine> can be ls1012ardb, ls1012afrawy, ls1021atwr, ls1028ardb, ls1043ardb, ls1046ardb, ls1046afrawy, ls1088ardb_pb, ls2088ardb, lx2162aqds.

<boottype> can be nor, sd, emmc, qspi, xspi, nand.

5.1.2.4.3 Deploy and run fuse provisioning firmware image on board

Program composite firmware image built using [Section 5.1.2.4.2](#) on the required boot medium.

The following example shows commands to flash `firmware_ls1046ardb_sdboot.img` on the SD card plugged into LS1046ARDB.

```
=> tftp a0000000 firmware_ls1046ardb_sdboot.img => mmc write a0000000 8 1fff8 =>
cpld reset sd
```

For steps to flash composite firmware on other boards and boot mediums, see board-specific *Quick start guide* section.

5.1.2.4.4 Build and deploy fuse provisioning image manually

To build the fuse provisioning image manually

CST

1. Clone the `cst` directory from the Layerscape LDP components.
2. Run `make` command.

```
$:> make
```

3. Edit input file to select/change values to be programmed in fuses for a device.
 - Edit "`input_files/gen_fusescr/ls104x_1012/input_fuse_file`" file for LS1021A, LS1043A, LS1046A, or LS1012A
 - Edit "`input_files/gen_fusescr/ls2088_1088/input_fuse_file`" file for LS1088A, LS2088A, LX2160A, LX2162A, LS1028A
4. To generate `fuse_scr.bin`, execute the following command:

```
$:> ./gen_fusescr input_files/gen_fusescr/<platform>/input_fuse_file
platform: ls104x_1012 for LS1021A, LS1043A, LS1046A or LS1012A
platform: ls2088_1088 for LX2160A, LX2162A, LS1088A, LS1028A, or LS2088A
```

ATF

1. Clone the `atf` directory from the Layerscape LDP components.
2. Set the path.

```
$:> export CROSS_COMPILE=<aarch64-toolchain-path>
```

3. Run the following `make` command in cloned `atf` repository.

```
$:> make realclean; make all fip pbl PLAT=<platform> BOOT_MODE=<boot_mode>
RCW=$path/rcw.bin BL33=$path/uboot.bin fip_fuse FUSE_PROG=1 FUSE_PROV_FILE=
$path/fuse_scr.bin
```

Note:

- *<platform>* such as *ls1046ardb*, *ls1088ardb*, *ls2088ardb*
 - *<boot_mode>* such as *qspi*, *sd*, nor as per boot mode supported by different platforms.
 - Replace *\$path* with the locations of the respective images to be used to build the image.
4. *fip_fuse.bin* will be available at location *./build/release/<platform>*.

To program fuse provisioning image built manually on the required boot medium

For FlexSPI/QSPI NOR flash:

```
=> tftp 82000000 $path/fip_fuse.bin;
=> i2c mw 66 50 20;sf probe 0:0; sf erase 0x880000 +$filesize; sf write
0x82000000 0x880000 $filesize;
```

For SD or eMMC [*file_size_in_block_sizeof_512 = (Size_of_bytes_tftp / 512)*]:

```
=> tftp 82000000 $path/fip_fuse.bin;
=> mmc write 82000000 0x4400 <file_size_in_block_sizeof_512>;
```

For IFC NOR flash:

```
To program alternate bank: => tftp 82000000 $path/fip_fuse.bin; => protect off
64880000 +$filesize && erase 64880000 +$filesize && cp.b 82000000 64880000
$filesize To program current bank: => tftp 82000000 $path/fip_fuse.bin; =>
protect off 60880000 +$filesize && erase 60880000 +$filesize && cp.b 82000000
60880000 $filesize
```

For NAND flash:

```
=> tftp 82000000 $path/fip_fuse.bin;
=> nand erase 0x880000 $filesize;nand write 0x82000000 0x880000 $filesize;
```

Boot the board from the required boot medium. For U-Boot command or switch settings to boot the board from a specific boot medium, see *Quick start guide* section for the respective board.

5.1.2.4.5 Validate fuse provisioning

1. At the U-Boot prompt, check DCFG scratch 4 register for any [Section 5.1.2.5](#). For example, run the following command for LS1046ARDB to check for error codes.

```
=> md 1ee020c 1
```

Note: *LX2162AQDS* doesn't support reading register via U-Boot (using the *md* command). To verify SNVS register status for *LX2162AQDS*, access register *0x1e90014* via *CCS* command.

For addresses for other board, see the device-specific SoC Reference Manual.

2. If the *md* command does not show any error, then fuse provisioning is successful.

```
01ee020c: 00000000
```

5.1.2.5 Error Codes

Table 1: Error Codes

Error Code	Value	Description
ERROR_FUSE_BARKER	0x1	Occurs if fuse script not found.

ERROR_READFB_CMD	0x2	Occurs if SFP Read Fuse Box (READFB) command fails.
ERROR_PROGFB_CMD	0x3	Occurs if SFP Program Fuse Box (PROGFB) command fails.
ERROR_SRKH_ALREADY_BLOWN	0x4	Occurs if SRKH is already blown.
ERROR_SRKH_WRITE	0x5	Occurs if write to SRKH mirror registers fails.
ERROR_OEMUID_ALREADY_BLOWN	0x6	Occurs if OEMUID is already blown.
ERROR_OEMUID_WRITE	0x7	Occurs if write to OEMUID mirror registers fails.
ERROR_DCV_ALREADY_BLOWN	0x8	Occurs if DCV is already blown.
ERROR_DCV_WRITE	0x9	Occurs if write to DCV mirror registers fails.
ERROR_DRV_ALREADY_BLOWN	0xa	Occurs if DRV is already blown.
ERROR_DRV_HAMMING_ERROR	0xb	Occurs if write to DRV mirror registers gives hamming error.
ERROR_OTPMK_ALREADY_BLOWN	0xc	Occurs if OTPMK is already blown.
ERROR_OTPMK_HAMMING_ERROR	0xd	Occurs if write to OTPMK mirror registers gives hamming error.
ERROR_OTPMK_USER_MIN	0xe	Occurs if user supplied OTPMK does not have minimal OTPMK bits set in case where OTPMK flags represents to program user supplied OTPMK value with pre-programmed minimal value.
ERROR_OSPR1_ALREADY_BLOWN	0xf	Occurs if OSPR1 is already blown.
ERROR_OSPR1_WRITE	0x10	Occurs if write to OSPR1 mirror register fails.
ERROR_SC_ALREADY_BLOWN	0x11	Occurs if SysCfg is already blown.
ERROR_SC_WRITE	0x12	Occurs if write to SysCfg mirror register fails.
ERROR_POVDD_GPIO_FAIL	0x13	Occurs if gpio number configured is incorrect.
ERROR_GPIO_SET_FAIL	0x14	Occurs if the gpio bit is not set correctly
ERROR_GPIO_RESET_FAIL	0x15	Occurs if the gpio bit reset is not reset to initial state.

5.2 Bootloader security features

5.2.1 U-Boot

5.2.1.1 Verified boot [only for LX2162AQDS]

This topic explains:

5.2.1.1.1 Introduction

Note: *Verified Boot is applicable only for LX2162AQDS.*

Verified Boot ensures all executed code is originated from a trusted source, for example device OEMs, rather than from an attacker or corrupted source. It establishes a full chain of trust, starting from a hardware-protected root of trust to the bootloader, boot partition, and other verified partitions, such as system, vendor,

and optionally OEM . During device boot up, each stage verifies the integrity and authenticity of the next stage before handing over the execution.

5.2.1.1.2 Build U-Boot, Linux, and RCW binaries

Build U-Boot binary

A specific defconfig file `lx2162aqds_tfa_verified_boot_defconfig` is included in the U-Boot config for the LX2162AQDS board.

To build U-Boot binaries:

1. Ensure following flags are enabled in `configs/lx2162aqds_tfa_verified_boot_defconfig`.
 - a. `CONFIG_FIT_SIGNATURE=y`
 - b. `CONFIG_RSA=y`
2. Set toolchain.
 - a. `$ export PATH=/opt/gcc-linaro-7.4.1-2019.02-x86_64_aarch64-linux-gnu/bin:$PATH`
 - b. `$ export CROSS_COMPILE=aarch64-linux-gnu-`
 - c. `$ export ARCH=arm64`
3. Execute following commands to build U-Boot binaries.
 - a. `$ make mrproper`
 - b. `$ make lx2162aqds_tfa_verified_boot_defconfig`
 - c. `$ make`

The U-Boot binaries, `u-boot.dtb` and `u-boot-nodtb.bin` are available at `u-boot`.

Build Linux binary

To build Linux binaries:

1. Set toolchain :

```
$ export PATH=/opt/gcc-linaro-7.4.1-2019.02-x86_64_aarch64-linux-gnu/bin:$PATH
$ export CROSS_COMPILE=aarch64-linux-gnu-
$ export ARCH=arm64
```

2. Execute following commands to build Linux binaries:

```
$ make distclean
$ ./scripts/kconfig/merge_config.sh
$ arch/arm64/configs/defconfig arch/arm64/configs/lSDK.config
$ make -j4
```

The Linux binary, `Image.gz` is available at `arch/arm64/boot` and `fsl-lx2162a-qds.dtb` is available at `arch/arm64/boot/dts/freescale`.

Build RCW binary

To build RCW binary, use the following steps:

```
$ cd lx2162aqds/
$ make
```

The RCW binary is available at: `lx2162aqds/FFGG_XXXX_PPPP_HHHHH_PPPP_PPPP_19_5_2/rcw_2000_700_2900_19_5_2.bin`.

5.2.1.1.3 Generate fit image

The following code snippet shows the sample ITS file.

```
/*
 * copyright 2020 NXP
 *
 */
/dts-v1/;
/ {
    description = "arm64 kernel, ramdisk and FDT blob";
    #address-cells = <1>;
    images {
        kernel {
            description = "ARM64 Kernel";
            data = /incbin/"Image.gz";
            type = "kernel";
            arch = "arm64";
            os = "linux";
            compression = "gzip";
            load = <0x81080000>;
            entry = <0x81080000>;
            hash {
                algo = "sha1";
            };
            signature {
                algo = "sha1,rsa2048";
                key-name-hint = "dev";
            };
        };
        fsl-lx2162a-qds {
            description = "lx2162aqds-dtb";
            data = /incbin/"fsl-lx2162a-qds.dtb";
            type = "flat_dt";
            arch = "arm64";
            os = "linux";
            compression = "none";
            load = <0x90000000>;
            hash {
                algo = "sha1";
            };
            signature {
                algo = "sha1,rsa2048";
                key-name-hint = "dev";
            };
        };
        initrd {
            description = "initrd for arm64";
            data = /incbin/"fsl-image-core-lx2162aqds.ext2.gz";
            type = "ramdisk";
            arch = "arm64";
            os = "linux";
            compression = "none";
            load = <0x00000000>;
            entry = <0x00000000>;
            hash {
                algo = "sha1";
            };
            signature {
                algo = "sha1,rsa2048";
            };
        };
    };
};
```

```

        key-name-hint = "dev";
    };
};
configurations {
    default = "lx2162aqds";
    lx2162aqds {
        description = "config for lx2162aqds";
        kernel = "kernel";
        ramdisk = "initrd";
        fdt = "fsl-lx2162a-qds";
        signature {
            algo = "sha1,rsa2048";
            key-name-hint = "dev";
            sign-images = "kernel", "fdt", "ramdisk";
        };
    };
};
};
};
};

```

To generate fit image:

1. Create a new directory, for example “Verified boot or Work” and copy the following binaries to this new directory.
 - u-boot.dtb and u-boot-nodtb.bin (see [Section 5.2.1.1.2](#))
 - Image.gz and fsl-lx2162a-qds.dtb (see [Section 5.2.1.1.2](#))
 - Rootfs file, fsl-image-core-lx2162aqds.ext2.gz (rootfs file can be generated by yocto)
 - Prepare <its_file_name>.its file as per the sample ITS file
2. Generate fit image from ITS file using the `mkimage` command.

```
mkimage -f <its_file_name>.its <fit_image_to_be_generated>.fit
```

For example:

```
mkimage -f lx2162_qds_verified_boot.its lx2162_qds_verified_boot.fit
```

Output:

```
lx2162_qds_verified_boot.fit
```

Note: The `mkimage` utility is available at `u-boot/tools/mkimage`.

5.2.1.1.4 Generate keys with OpenSSL

Generate public/private keys using openssl command

```
$ openssl genpkey -algorithm RSA -out keys/dev.key -pkeyopt rsa_keygen_bits:2048
-pkeyopt rsa_keygen_pubexp:65537
```

Generate public key certificate using openssl command

```
$ openssl req -batch -new -x509 -key keys/dev.key -out keys/dev.crt
```

View public key

```
$ openssl rsa -in keys/dev.key -pubout
```

5.2.1.1.5 Sign fit image and combine U-Boot DTB

Sign fit Image

The fit image generated in [Section 5.2.1.1.3](#) needs to be signed using keys generated in [Section 5.2.1.1.4](#).

Command:

```
mkimage -F <path_to_fit_image>.fit -k <PATH_TO_KEYS_FOLDER> -K <path_to_u-boot_dtb_file>.dtb -c "Comment about the image" -r
```

Example:

```
mkimage -F lx2_qds_verified_boot.fit -k keys -K u-boot.dtb -c "Sign the FIT Image" -r
```

Note: The `mkimage` utility is available at `u-boot/tools/mkimage`.

Combine U-Boot DTB

Make a common 'dtb' file with `u-boot.dtb` and `u-boot-nodtb.bin`

Command:

```
cat u-boot-nodtb.bin u-boot.dtb > <combined dtb.bin>
```

Example:

```
cat u-boot-nodtb.bin u-boot.dtb > u-boot-combine-dtb.bin
```

The following figure shows the generated binaries.

```
nxf51654@lsv03032:~/data/source_code/verified_boot/work$ ls -l
total 122024
-rw-r--r-- 1 nxf51654 nxp 47772312 Mar 19 18:30 fsl-image-core-lx2160ardb.ext2.gz
-rw-r--r-- 1 nxf51654 nxp 27744 Apr 13 12:17 fsl-lx2162a-qds.dtb
-rw-r--r-- 1 nxf51654 nxp 13869395 Apr 13 12:16 Image.gz
-rw-r--r-- 1 nxf51654 nxp 61671822 Apr 13 12:23 lx2162_qds_verified_boot.fit
-rw-r--r-- 1 nxf51654 nxp 2806 Apr 13 12:20 lx2162_qds_verified_boot.its
-rw-r--r-- 1 nxf51654 nxp 796806 Apr 13 12:25 u-boot-combine-dtb.bin
-rw-r--r-- 1 nxf51654 nxp 7550 Apr 13 12:15 u-boot.dtb
-rwxr-xr-x 1 nxf51654 nxp 789256 Apr 13 12:15 u-boot-nodtb.bin
```

5.2.1.1.6 Generate fip binary

To build TF-A FIP binary:

1. Set toolchain

- a. \$ export PATH=/opt/gcc-linaro-7.4.1-2019.02-x86_64_aarch64-linux-gnu/bin:\$PATH
- b. \$ export CROSS_COMPILE=aarch64-linux-gnu-
- c. \$ export ARCH=arm64

2. Execute the following command to build FIP binary.

```
make -j8 all fip pbl PLAT=lx2160aqds BOOT_MODE=flexspi_nor RCW=<path to rcw bin> BL33=<path to combined u-boot-dtb bin>
```

For example:

```
make -j8 all fip pbl PLAT=lx2160aqds BOOT_MODE=flexspi_nor RCW=/home/ data/
source_code/verified_boot/lx2-rcw/lx2162aqds/FFGG_NNNN_PPPP_HHHH_RR_18_5/
rcw_2000_650_2900_18_5.bin BL33=/home/data/source_code/verified_boot/work/u-
boot-combine-dtb.bin
```

For path to RCW and BL33 (combined U-Boot DTB), see sections [Section 5.2.1.1.2](#) and [Section 5.2.1.1.5](#), respectively.

The FIP binary generated is unsigned and available at `build/lx2160aqds/release/fip.bin`.

5.2.1.1.7 Flash FIP binary to FlexSPI NOR flash

Set up Ethernet connection

1. Boot the board from FlexSPI NOR flash 0 and stop autoboot to enter U-Boot prompt.

Load FIP binary from TFTP server

To flash image on the alternate bank:

1. Load FIP binary to the DDR memory.

```
=> tftp a0000000 <path to fip.bin>
```

For steps to generate `fip.bin`, see [Section 5.2.1.1.6](#).

2. Switch to the alternate bank (FlexSPI NOR flash 1) on which FIP binary needs to be flashed.

```
=> i2c mw 66 50 20;sf probe 0:0;
```

3. Program the FIP binary to the alternate bank.

```
=> sf erase 0x100000 +$filesize && sf write 0xa0000000 0x100000 $filesize
```

4. Boot the board from alternate bank.

```
=> qixis_reset altbank
```

5. Load the fit image to the alternate bank.

```
=> tftp a0000000 <path to lx2162_qds_verified_boot.fit>
```

For steps to generate `lx2162_qds_verified_boot.fit` signed image, refer [Section 5.2.1.1.5](#)

6. Boot up the board with this fit image using the `bootm` command. In the `bootm` command, provide the name of the configuration as the file location, for example `lx2162aqds`.

```
=> bootm 0xa0000000$ lx2162aqds
```

Note: The verified boot is successful if the board boots to the Linux prompt. If the verification fails, the kernel will not boot.

5.2.1.2 U-Boot

To establish the secure boot Chain of Trust, some U-Boot commands have been added to the ESBC code.

5.2.1.2.1 esbc_validate command

```
esbc_validate <img_hdr> [<pub_key_hash>]
```

Input arguments:

`img_hdr` – Location of CSF header of the image to be validated.

pub_key_hash – hash of the public key used to verify the image. This is optional parameter. If not provided, code makes the assumption that the key pair used to sign the image is same as that used with ISBC. So the hash of the key in the header is checked against the hash available in SRK fuse for verification.

Description:

Perform CSF header validation on the address passed in the image header. During parsing of the header, the image address is stored in an environment variable which is later used in source command in default secure boot command.

Signature checks on the image.

5.2.1.2.2 esbc_halt command

```
esbc_halt (no arguments)
```

Description:

This command puts core in spin loop.

5.2.1.2.3 blob enc command

```
blob enc <src location> <dst location> <length> <key_modifier address>
```

Input Arguments:

src location	Address of the image to be encapsulated
dst location	Address where the blob is created
length	Size of the image to be encapsulated
key_modifier address	Address where a random number 16 bytes long (key modifier) is placed

Description:

This command would create a cryptographic blob of the image placed at src location and place the blob at dst location.

5.2.1.2.4 blob dec command

```
blob dec <src location> <dst location> <length> <key_modifier address>
```

Input Arguments:

src location	Address of the image blob to be decapsulated
dst location	Address where the decapsulated image is placed
length	Expected Size of the image after decapsulation
key_modifier address	Address where a random number 16 bytes long(key modifier) is placed

Description:

This command would decapsulate the blob placed at src location and place the decapsulated data of expected size at dst location.

5.2.1.2.5 Bootscript

Bootscript is a U-Boot script image that contains U-Boot commands. ESBC validates this bootscript before executing commands in it.

1. Bootscript can have any commands which U-Boot supports. No checking is done on the allowed commands in bootscript. Because it is a validated image, assumption is that commands in bootscript are correct.
2. If some basic scripting error is done in bootscript, such as unknown command, missing arguments, the required usage of that command and core is put in infinite loop.
3. After execution of commands in bootscript, if the control unexpectedly comes back to U-Boot, an error message is printed on the U-Boot console and the command `esbc_halt` is invoked.
4. Scatter gather images are not supported with the validate command.
5. If ITS fuse is blown, any error in verification of the image results in system reset. The error is printed on console before system goes for a reset.

Where to place the bootscript?

ESBC U-Boot expects the bootscript to be loaded from flash. ESBC U-Boot code assumes that the public/private key pair used to sign the bootscript is same as the one used while signing the U-Boot image. If the user uses different key pair to sign the image, the hash of the N and E component of the key pair should be defined in macro:

```
CONFIG_BOOTSCRIPT_KEY_HASH
```

5.2.1.2.5.1 Chain of Trust

The Bootscript contains information about the next level images, for example, MC, Linux ESBC validates these images as per their public keys. MC is started with validated MC images if required and finally the `bootm` command is executed to pass control to the Linux image.

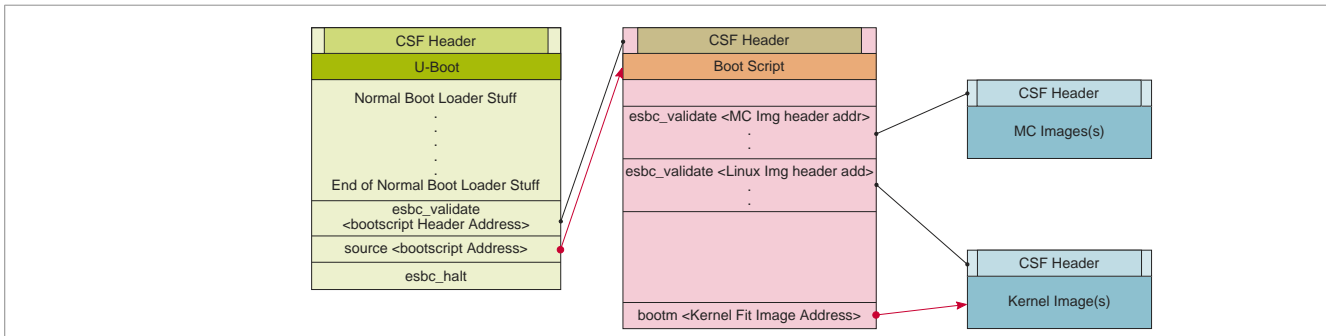


Figure 19. Secure boot flow (Chain of Trust from U-Boot)

Sample Bootscript

```
# Get Images and Headers on DDR
.
.
.
# Validate the Images. (<pub_key_hash> is optional)
esbc_validate <Image1 Header Address> <pub_key_hash>
esbc_validate <Image2 Header Address> <pub_key_hash>
.
.
.
# Boot the Linux
```



```
bootm <Kernel Fit Image Address>
```

5.2.1.2.5.2 Chain of Trust with confidentiality

To establish chain of trust with confidentiality, cryptographic blob mechanism can be used. In this chain of trust, validated image is allowed to use the One Time Programmable Master Key to decrypt system secrets. Two bootscripts are to be used. First encapsulation bootscript is used which creates a blob of the next level images (for example, MC, Linux) and saves them on flash. After this, the system is booted after replacing the encapsulation bootscript with decapsulation bootscript which decapsulates the blobs and start MC and Linux.

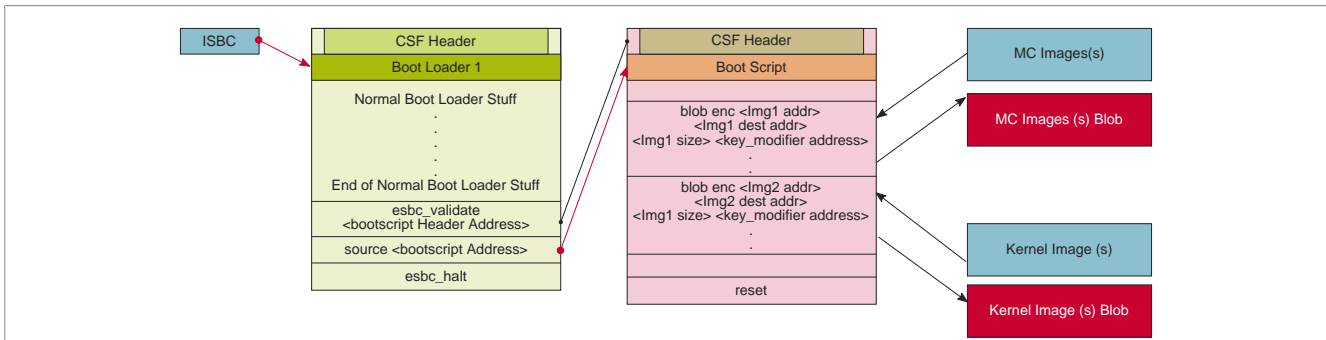


Figure 20. Chain of Trust with Confidentiality (Encapsulation)

Sample Encapsulation Bootscript

```
# Get Images on DDR
.
.
.
.
# Create the Blobs
blob enc <Img1 addr> <Img1 dest addr> <Img1 size> <key_modifier address>
blob enc <Img2 addr> <Img2 dest addr> <Img2 size> <key_modifier address>
blob enc <Img3 addr> <Img3 dest addr> <Img3 size> <key_modifier address>
.
.
.
Save The Blobs created on Flash
.
.
.
# End of Encap Boot Script (This is one time only and must be replaced with
  decap Boot Script)
```

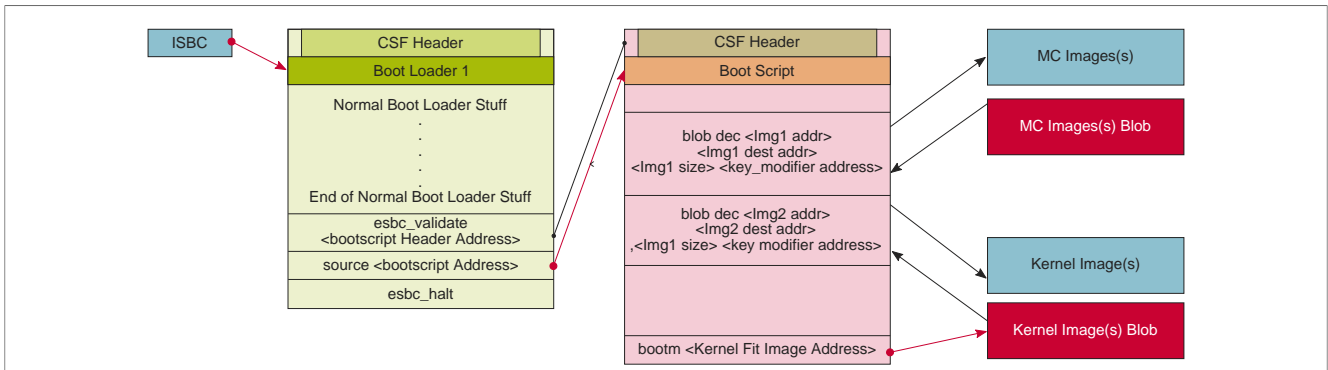


Figure 21. Chain of Trust with Confidentiality (Decapsulation)

Sample Decapsulation Bootscript

```
# Get Images Blobs on DDR
.
.
.
# Decap the Blobs to get the actual images
blob dec <Img1 blob addr> <Img1 dest addr> <expected Img1 size> <key_modifier
  address>
blob dec <Img2 blob addr> <Img2 dest addr> <expected Img2 size> <key_modifier
  address>
blob dec <Img3 blob addr> <Img3 dest addr> <expected Img3 size> <key_modifier
  address>
.
.
.
# Boot the Linux
bootm <Kernel Fit Image Address>
```

5.2.1.2.6 How to compile secure U-Boot binary

You need to compile the u-boot.bin binary to build the fip.bin binary.

Clone the u-boot repository and compile the U-Boot binary for TF-A:

```
$ git clone https://github.com/nxp-qoriq/u-boot.git
$ cd u-boot
$ git checkout -b <new branch name> <tag>
```

For example, \$ git checkout -b LSDK-21.08 LSDK-21.08.

```
$ export ARCH=arm64
$ export CROSS_COMPILE=aarch64-linux-gnu-
$ make distclean
$ make <platform>_tfa_SECURE_BOOT_defconfig
```

Note: A single defconfig is created for all the boot sources, <platform>_tfa_defconfig.

For example, for LX2162AQDS, defconfig is lx2162aqds_tfa_SECURE_BOOT_defconfig.

```
$ make
```

Note: If the make command shows the error "*** Your GCC is older than 6.0 and is not supported", ensure that you are using Ubuntu 18.04 64-bit version for building 21.08 U-Boot binary.

The compiled secure U-Boot image, `u-boot.bin-tfa-secure-boot`, is available at `u-boot/`.

5.3 Trusted OS

5.3.1 Trusted Execution (OP-TEE)

5.3.1.1 Introduction

Trusted Execution Environment (TEE), for Arm-based chips supporting TrustZone technology.

NXP platforms are enabled with Open Portable TEE (OP-TEE). OP-TEE is an open source project that contains full implementation to develop a complete Trusted Execution Environment. This component meets the Global Platform TEE System Architecture specification. It also provides the TEE Internal core API v1.1 as defined by the Global Platform TEE Standard for the development of Trusted Applications.

OP-TEE consists of three components.

- OP-TEE client, which is the client API running in normal world user space.
- OP-TEE Linux Kernel driver, which is the driver that handles the communication between normal world user space and secure world.
- OP-TEE Trusted OS, which is the Trusted OS running in secure world.

OP-TEE OS is made of 2 main components: the OP-TEE core and a collection of libraries designed for being used by Trusted Applications. While OP-TEE core executes in the Arm CPU privileged level (also referred to as 'kernel land'), the Trusted Applications execute in the non-privileged level (also referred to as the 'userland'). The static libraries provided by the OP-TEE OS enable Trusted Applications to call secure services executing at a more privileged level.

5.3.1.1.1 Support platform

OP-TEE is supported on the following NXP boards:

- LS1046ARDB
- LS1043ARDB
- LS2088ARDB
- LS1088ARDB
- LS1012ARDB
- LX2160ARDB Rev2
- LS1028ARDB
- LX2162AQDS

5.3.1.1.2 Test Sequence

Execute the test sequence specified below on target machine:

On the target NXP board:

1. To check if the OP-TEE kernel driver is successfully initialized (after successfully communicating with [OP-TEE OS](#) running in OP-TEE), look for the following in Linux boot logs:

```
optee: probing for conduit method.  
optee: revision <version> (git commit id)
```

```
optee: initialized driver
```

Note: TF-A FIP image must be compiled with OP-TEE binary. Else, the following error appears:

```
optee: api uid mismatch
```

2. Run the tee-supplciant (binary generated from [optee_client](#) repo) binary
\$>: tee-supplciant & (press enter)
3. Run the xtest (binary generated from [optee_test](#) repo) application as follows:

```
$>: xtest -l 15 (press enter and look for the below logs to verify app runs
successfully):
    47123 subtests of which 0 failed
    79 test cases of which 0 failed
    0 test case was skipped
    OP-TEE test application done!
```

5.3.1.1.3 How to compile OP-TEE binary

This is an optional step. You may need to compile the `tee.bin` binary to build `fip.bin` with OP-TEE. However, OP-TEE is optional, you can skip the procedure to compile OP-TEE if you want to build the FIP binary without OP-TEE.

To clone the `optee_os` repository and build the OP-TEE binary, perform the following steps:

1. \$ `git clone https://github.com/nxp-qoriq/optee_os`
2. \$ `cd optee_os`
3. \$ `git checkout -b <new branch name>`. For example, \$ `git checkout -b lf-6.1.55_2.2.0`
4. \$ `export ARCH=arm`
5. \$ `export CROSS_COMPILE64=aarch64-linux-gnu-`
6. \$ `make CFG_ARM64_core=y PLATFORM=ls-<platform>`. For example, \$ `make CFG_ARM64_core=y PLATFORM=ls-ls1088ardb`

The compiled OP-TEE image `tee-raw.bin` is available at `optee_os/out/arm-plat-ls/core/`.

5.4 PKCS#11 and Secure Object Library

5.4.1 Introduction

NXP SoCs such as LS1046A can store keys securely using built-in SoC capabilities - virtual HSM. With such devices, sensitive private keys never leave the device and cryptographic operations are performed on this virtual HSM.

The PKCS#11 is a standard programming interface to communicate with HSMs. This standard specifies an application programming interface (API), called "Cryptoki" to devices which hold cryptographic information and perform cryptographic functions.

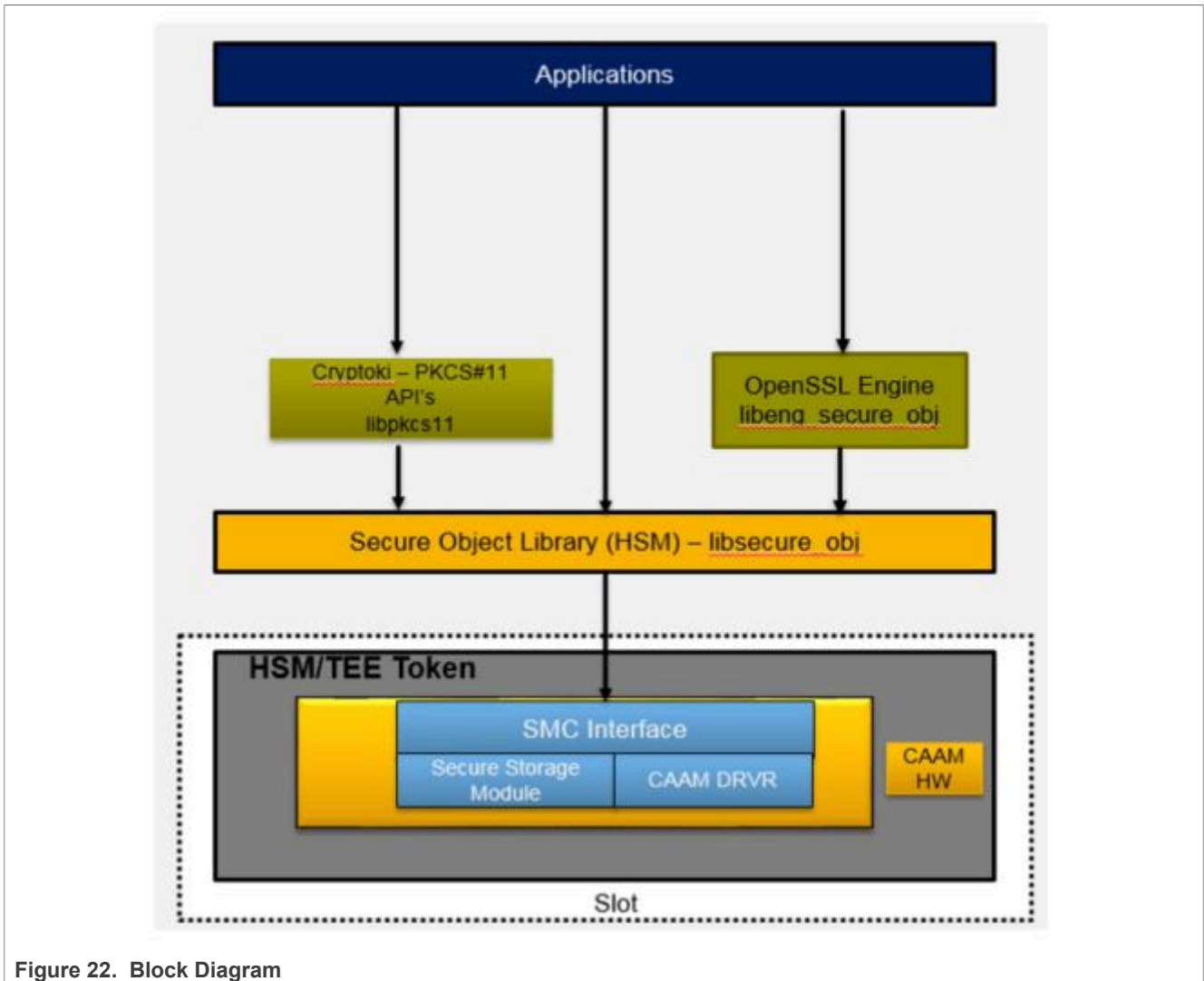


Figure 22. Block Diagram

Proprietary interfaces using Secure Object Library are provided to interact with the HSM for:

- Generating key pair within the HSM.
- Installing existing key in the HSM.
- Manufacturing Protection key operations.

The private keys are never visible to normal world.

Sensitive Cryptographic operations using these keys can only be done using PKCS#11 cryptographic token standard.

An OpenSSL engine on Secure Object Library is also provided to interface directly with OpenSSL APIs

The PKCS#11 library release is compliant to v2.40. It is targeted for LS1046ARDB and supports

- RSA keys of size 1K and 2K.
- ECDSA keys curve prime256v1 and secp384r1.

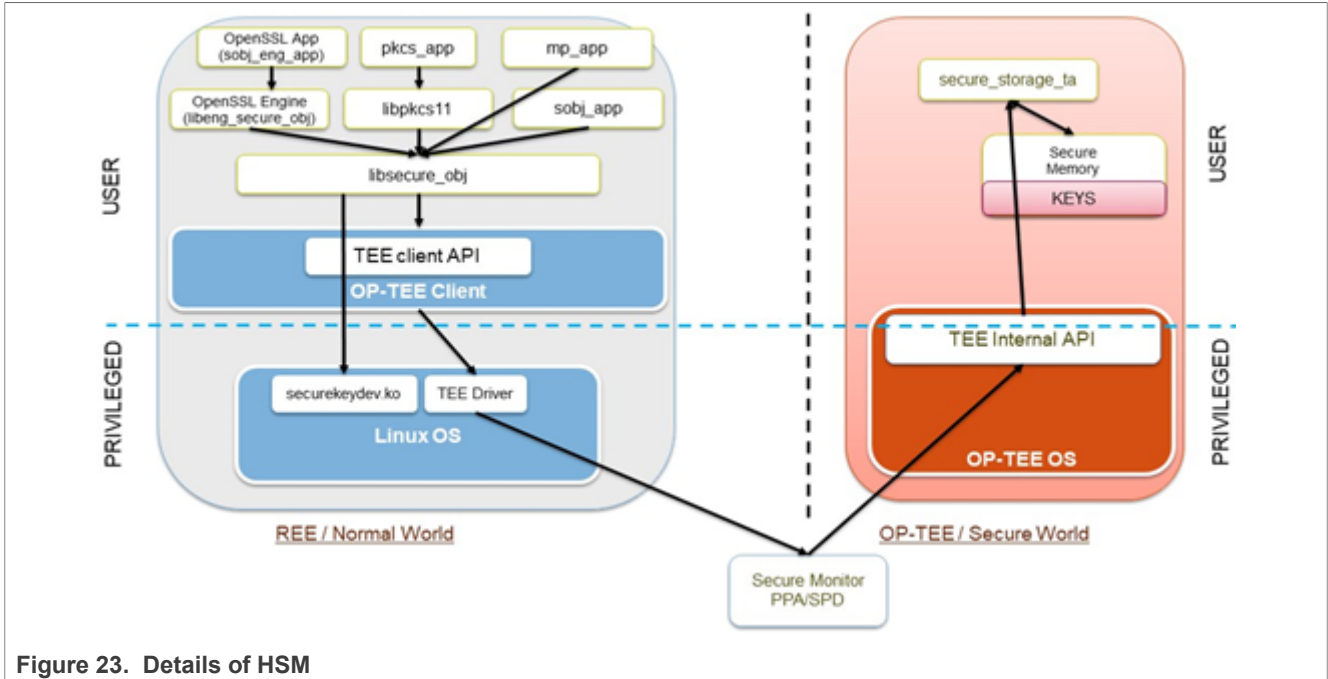


Figure 23. Details of HSM

5.4.2 Supported APIs

5.4.2.1 PKCS#11 Library – libpkcs11.so

The PKCS#11 interfaces are exposed and implemented via a shared library with a name called `libpkcs11.so` (Cryptoki Library). Any PKCS#11 library has a static `CK_FUNCTION_LIST` structure, and a pointer to it may be obtained by the `C_GetFunctionList()` function.

[Table](#) summarizes the list of supported PKCS#11 interfaces. The return values and API behaviors are compliant with the PKCS#11 standard v2.40. The PKCS#11 library expects the caller to use the interfaces in a standard way.

API	Description
<code>C_Initialize</code>	Initialize Cryptoki library
<code>C_Finalize</code>	Clean up cryptoki related resources
<code>C_GetFunctionList</code>	Obtains entry points of Cryptoki library functions.
<code>C_GetInfo</code>	Obtains general information about Cryptoki
<code>C_GetSlotInfo</code>	Obtains information about a particular slot
<code>C_GetTokenInfo</code>	Obtains information about a particular token
<code>C_GetSlotList</code>	Obtain list of slots in the system. Only a fixed slot with fixed token is supported. Dynamic slot or token addition is not supported.
<code>C_OpenSession</code> <code>C_CloseSession</code> <code>C_CloseAllSessions</code>	Opens/Closes a session. • All types of sessions are supported with Token. • Only Token Objects can be created/destroyed, Session Objects are not supported.
<code>C_Login</code>	Logs in to a token.

C_Logout	Logs out from a token
C_CreateObject	Creates an object (RSA Keys of size up to 2048bits are supported)
C_DestroyObject	Destroys an object
C_FindObjectsInit C_FindObjects C_FindObjectsFinal	Objects search operations. RSA public and private key objects of size up to 2048bits are supported. ECDSA public and private key objects of size 256 and 384 bits are supported.
C_GetAttributeValue	Obtains the value of one or more attributes of the objects.
C_GetMechanismList	Obtains List of mechanism supported by token.
C_GetMechanismInfo	Obtains the information about a mechanism.
C_GenerateKeyPair	Generates a public-key/private-key pair (RSA Keys of size up to 2048bits are supported)
C_SignInit C_Sign C_SignUpdate C_SignFinal	Initialize a signature operation. Signs single-part data. Continues a multiple-part signature operation. Finishes a multiple-part signature operation. Mechanisms supported: <ul style="list-style-type: none"> • RSA-based Mechanisms <ul style="list-style-type: none"> – CKM_RSA_PKCS – CKM_MD5_RSA_PKCS – CKM_SHA1_RSA_PKCS – CKM_SHA256_RSA_PKCS – CKM_SHA384_RSA_PKCS – CKM_SHA512_RSA_PKCS • ECDSA-based Mechanisms (Single Part Only) <ul style="list-style-type: none"> – CKM_ECDSA – CKM_ECDSA_SHA1
C_DigestInit C_Digest C_DigestUpdate C_DigestFinal	Initializes a message-digesting operation. Digests single-part data. Continues a multiple-part digesting operation. Finishes a multiple-part digesting operation. Mechanisms supported: <ul style="list-style-type: none"> • CKM_MD5 • CKM_SHA1 • CKM_SHA256 • CKM_SHA384 • CKM_SHA512
C_DecryptInit C_Decrypt	Initializes a decryption operation. Decrypts single-part encrypted data. Mechanisms supported: <ul style="list-style-type: none"> • CKM_RSA_PKCS • CKM_RSA_PKCS_OAEP

5.4.2.2 Secure Object Library – libsecure_obj.so

5.4.2.2.1 Secure Object Library

The following are the details of the supported interfaces to generate/import keys using the Secure Object library.

1. Import Keys:

SK_RET_CODE SK_CreateObject(SK_ATTRIBUTE *attr, uint16_t attrCount, SK_OBJECT_HANDLE *phObject);

The API creates an Object on the HSM, and returns a handle to it. API always succeeds even if an object with same attributes exists in HSM. Duplicate object is created. Application needs to take care that duplicate objects should not be created.

`attr` is an array of attributes that the object should be created with. Some of the attributes may be mandatory, such as `SK_ATTR_OBJECT_TYPE` and `SK_ATTR_OBJECT_INDEX` (the id of the object), and some are optional.

Application needs to take care that valid attributes are passed, library does not return any error on receiving inconsistent or incompatible attributes.

param[in] attr: The array of attributes to be used in creating the Object.

param[in] attrCount: The number of attributes in `attr`

param[in, out] phObject IN: A pointer to a handle (must not be NULL);

OUT: The handle of the created Object

Return Values:

SKR_OK: Successful execution, `phObject` filled with created object handle.

SKR_ERR_BAD_PARAMETERS: Invalid function arguments.

SKR_ERR_OUT_OF_MEMORY: Memory allocation failed.

SKR_ERR_NOT_SUPPORTED: The function and/or parameters are not supported by the library.

Note: Some internal error code other than the code mentioned above can be returned. Refer to `securekey_api_types.h` for the error code description.

2. Generate Key:

SK_RET_CODE SK_GenerateKeyPair(SK_MECHANISM_INFO *pMechanism, SK_ATTRIBUTE *attr, uint16_t attrCount, SK_OBJECT_HANDLE *phKey);

This API generates key pair on the HSM, and returns a handle to it. API always succeeds even if an object with same attributes exists in HSM. Duplicate object is created. Application needs to take care that duplicate objects should not be created.

pMechanism is a mechanism for key pair generation. For example: `SKM_RSA_PKCS_KEY_PAIR_GEN`.

`attr` is an array of attributes that the object should be created with. Some of the attributes may be mandatory, such as `SK_ATTR_OBJECT_INDEX` (the id of the object), and some are optional.

Application needs to take care that valid attributes are passed, library does not return any error on receiving inconsistent/incompatible attributes.

param[in] pMechanism: Mechanism for key pair generation.

param[in] attr: The array of attributes to be used in creating the Object.

param[in] attrCount: The number of attributes in `attr`.

param[in, out] phKey IN: A pointer to a handle (must not be NULL);

OUT: The handle of the created Object.

Return Values:

SKR_OK: Successful execution, `phObject` is filled with created object handle.

SKR_ERR_BAD_PARAMETERS: Invalid function arguments

SKR_ERR_OUT_OF_MEMORY: Memory allocation failed.

SKR_ERR_NOT_SUPPORTED: The function and/or parameters are not supported by the library.

Note: Some internal error code other than mentioned above can be returned. Refer to `securekey_api_types.h` for error code description.

3. Erase Object:

SK_RET_CODE SK_EraseObject(SK_OBJECT_HANDLE hObject);

Erases an object from the HSM. It indicates that the object with the specified handle is not in usage.

param[in] hObject: The handle of the Object to be erased.

Return Values:

SKR_OK: Successful execution

SKR_ERR_BAD_PARAMETERS: Invalid function arguments.

Note: Some internal error code other than mentioned above to be returned. Refer to `securekey_api_types.h` for the error code description.

Further details of the APIs and its types are available in the files `<securekey_api.h>` and `<securekey_api_types.h>` in the `secure_obj` folder.

Note:

- Maximum of 50 objects can be created/generated.
- Secure Object Library does not generate any error, if multiple objects having same attributes are being created. It is the applications responsibility to take care of the attributes that are passed during creation/generation of objects.

5.4.2.2.2 Manufacturing Key APIs:

Following the secure boot, the system runs the key generation routine producing an ECC public and private Key pair. This is referred to as Manufacturing Protection Key Pair.

Key Generation is performed by BootROM.

- For complete documentation on how to perform the key generation, public key export, and signing with the ECC private key, refer to the *Manufacturing-protection chip-authentication process* section in the SoC's *Security (SEC) Reference Manual*.
- To work out this feature, boot the board in the secure boot mode and configure the ITS bit to 1.

The APIs for availing the MP public key, signing using the MP private key, and availing the MP Tag are described below:

1. **Get MP Public key:** `enum sk_status_code sk_mp_get_pub_key(struct sk_EC_point *pub_key);`
Get Manufacturing Protection (MP) Public Key (ECC P256 Key).

param[in,out] pub_key: This is MP Public Key to be returned. Application needs to allocate memory for `sk_EC_point`. Each of the coordinate x and y needs to allocate `sk_EC_point.len` memory. `sk_EC_point.len` can be obtained using `sk_mp_get_pub_key_len()`.

Return Values:

SK_SUCCESS on success, error value otherwise.

2. **Sign using MP private key**

`enum sk_status_code sk_mp_sign(unsigned char * msg, uint8_t msglen, struct sk_EC_sig * sig, uint8_t * digest, uint8_t digest_len)`

Sign the msg using MP Priv Key. While signing MP Message, it will be prepended to message. Message over which signature will be calculated = MP message + msg.

param[in] msg: Pointer to the message to be signed.

param[in] msglen: Length of the message to be signed.

param[in,out] sig: This is Signature calculated. Application needs to allocate memory for `sk_EC_sig`. Each of the parts r and s needs to be allocated `sk_EC_sig.len` memory. `sk_EC_sig.len` can be obtained using `sk_mp_get_sig_len()`.

param[in, out] digest: Digest (SHA-256) of the message to be signed. Digest is calculated by prepending MP Message to the msg.

param[in] digest_len: Length of digest. Application needs to allocate memory for `sk_EC_point`. Each of the coordinate x and y needs to allocate `sk_EC_point.len` memory. `sk_EC_point.len` can be obtained using `sk_mp_get_pub_key_len()`.

Return Values:

SK_SUCCESS on success, error value otherwise.

3. **Get MP Tag**

`enum sk_status_code sk_mp_get_mp_tag(uint8_t *mp_tag_ptr, uint8_t mp_tag_len);`

Get the MP Message. While signing, the MP Message is prepended to message automatically. To avail the MP message tag, you can call this function during the verification operation.

param[in, out] mp_tag_ptr: Pointer to the message to be signed. Application needs to allocate memory of length returned by `sk_mp_get_tag_len()`.

param[in] mp_tag_len: Length of the `mp_tag_ptr` buffer.

Return Values:

SK_SUCCESS on success, error value otherwise.

The API definition can be found in file `securekey_mp.h`. The sample applications are provided to demonstrate the usage of APIs.

5.4.3 Integrating applications with Secure Object

Applications can interact with Secure Objects stored in HSM/Token using the following APIs:

- Secure Object
- OpenSSL
 - Secure Object Library based OpenSSL Engine (`libeng_secure_obj`)

Note: For more information on how to use the Secure Object APIs, refer to the `sobj_app` application.

5.4.3.1 Using PKCS#11 APIs

Applications can directly use the PKCS#11 APIs to interact with the Secure Objects stored in HSM/Token. Currently, we support PKCS#11 APIs mentioned in PKCS#11 APIs.

PKCS#11 library can also be used with any OpenSource PKCS#11 application such as `p11tool`, `softhsm2-utils`, and so on.

We have tested this library with `p11tool` for following operations:

- Listing tokens: `p11tool --list-tokens`
- Initializing token: `p11tool --initialize`
- Initializing User pin: `p11tool --initialize-pin`
- Initializing SO pin: `p11tool --initialize-so-pin`
- Generating RSA Key: `p11tool --generate-rsa`
- Importing RSA Key: `p11tool --write --load-privkey <rsa_key.pem>`

For more information on `p11tool` commands, check [here](#)

We have also created a reference application `pkcs11_app` for showing how to use the PKCS#11 APIs for writing your own application.

Commands to run `pkcs11_app` are shown [here](#)

5.4.3.2 Using Secure Object APIs

Applications can directly use the Secure Object Library APIs to interact with the Secure Objects stored in HSM/Token. Currently we support APIs mentioned in Secure Object APIs.

We have also created a reference application `sobj_app` for showing how to use the Secure Object APIs.

Commands to run `sobj_app` are provided [here](#).

5.4.3.3 Applications using OpenSSL APIs

This topic provides examples of usage with OpenSSL. It is recommended that you should familiarize yourself with Open SSL.

Refer to the appropriate documents for Open SSL commands at the following location:

<http://www.openssl.org/docs/>

Open SSL provides the support of engine (basically hardware devices) to store the keys on hardware devices to make keys more secure.

There are 2 ways in which applications using the OpenSSL APIs can access the Secure Objects stored in HSM/Token.

- Secure Object Library based OpenSSL Engine (libeng_secure_obj).
- PKCS#11 based OpenSSL Engine (Third-party OpenSC/libp11).

5.4.3.3.1 Secure Object Library based OpenSSL Engine (libeng_secure_obj)

NXP provides the Secure Object Library based OpenSSL Engine that is used to communicate with underlying HSM. This engine is based on Secure Object Library. Using this engine, you can perform the following operations:

- RSA Private Encryption
- RSA Private Decryption
- ECDSA Signing Operation

All the other RSA/ECDSA operations can be performed by OpenSSL itself.

This engine does not support generation of RSA Keys. Keys are generated by another app `sobj_app` and these keys are used in the applications using this OpenSSL Engine.

Refer to the [Section 5.4.4.2.5](#) section for the screenshots of application using OpenSSL engine.

5.4.3.3.1.1 Example usage with OpenSSL

This topic provides examples of usage with OpenSSL:

- Using the engine from command line, change the following in `openssl.cnf` (often in `/etc/ssl/openssl.cnf`).
 1. Add the following given line at the top, before any sections are defined:


```
openssl_conf = conf_section
```
 2. Add following section at the bottom of the file:

```
[conf_section]
engine = engine_section
[engine_section]
secure_obj = sobj_section
[sobj_section]
engine_id = eng_secure_obj
dynamic_path = <path where lib_eng_secure_obj.so is placed>
default_algorithms = RSA
init = 1
```

This section shows only RSA examples. Same can be done for EC by changing `default_algorithms` in `openssl.cnf` as shown below:

```
default_algorithms = RSA, EC
```

Testing the engine operation:

To verify that the engine is properly operating, use the following example:

```
user@Ubuntu:~#
user@Ubuntu:~# openssl engine
(dynamic) Dynamic engine loading support
(eng_secure_obj) secure object OpenSSL Engine.
```

```
user@Ubuntu:~#
user@Ubuntu:~#
```

If you do not update the OpenSSL configuration file, specify the engine configuration explicitly.

```
$: openssl engine -t dynamic -pre SO_PATH:<path-to-libeng_secure_obj.so> -pre
ID:eng_secure_obj -pre LIST_ADD:1 -pre LOAD
```

```
user@Ubuntu:~#
user@Ubuntu:~# openssl engine -t dynamic -pre SO_PATH:/usr/lib/aarch64-linux-
gnu/openssl-1.0.0/
engines/libeng_secure_obj.so -pre ID:eng_secure_obj -pre LIST_ADD:1 -pre LOAD
(dynamic) Dynamic engine loading support
[Success] : SO_PATH:/usr/lib/aarch64-linux-gnu/openssl-1.0.0/engines/
libeng_secure_obj.SO
[Success] : ID:eng_secure_obj
[Success] : LIST_ADD:1
[Success] : LOAD
LOADED: (eng_secure_obj) Secure object OpenSSL Engine.
[available]
user@Ubuntu:~#
```

- Using OpenSSL from the command line.
Generate RSA/ECDSA key-pair using the following commands and use them in signing any data and verifying the signatures generated.

```
$: sobj_app -G -m rsa-pair -s 2048 -l "rsa_gen_2048" -i 1 -w rsa_2048.pem ##
Generating RSA keypair ##
$: openssl rsa -in rsa_2048.pem -pubout -out rsa_pub_2048.pem ## Taking out
Public Key for verifying signature ##
$: openssl dgst -sha1 -sign rsa_2048.pem -out sig.data data ## Generating
Signature "sig.data" of "data" ##
$: openssl dgst -sha1 -verify rsa_pub_2048.pem -signature sig.data data ##
Verifying the signature using Public Key ##
```

Similarly as in above step, generate for ECDSA keys of prime256v1 by using following commands:

```
$: sobj_app -G -m ec-pair -c prime256v1 -l "ecc_256" -i 2 -w ec256.pem
$: openssl ec -in ec256.pem -pubout -out ec_pub_256.pem
$: openssl dgst -sha1 -sign ec256.pem -out sig.data data
$: openssl dgst -sha1 -verify ec_pub_256.pem -signature sig.data data
```

For ECDSA secp384r1 curve, use the following commands:

```
$: sobj_app -G -m ec-pair -c secp384r1 -l "ecc_384" -i 3 -w ec384.pem
$: openssl ec -in ec384.pem -pubout -out ec_pub_384.pem
$: openssl dgst -sha1 -sign ec384.pem -out sig.data data
$: openssl dgst -sha1 -verify ec_pub_384.pem -signature sig.data data
```

- This section describes how to use the command line to create a self-signed certificate for "NXP Semiconductor". The key for this certificate is generated in the Secure Object HSM and it is not exportable. You can generate a private key in the HSM with `soobj_app` using the below examples. It also creates a fake PEM file `dev_key.pem`, which contains the information to get the required key from HSM.

– To generate the RSA key-pair, use the command:

```
$: sobj_app -G -m rsa-pair -s 2048 -l "Test_Key" -i 1 -w dev_key.pem
```

– To generate the ECDSA key-pair, use the command:

```
$: sobj_app -G -m ec-pair -c prime256v1 -l "ecc_256" -i 30 -w dev_key.pem
```

- To generate a certificate with key in the Secure Object module, use the following commands:

```
$ openssl req -new -key dev_key.pem -out req.pem -text -x509 -subj "/CN=NXP
Semiconductor"
$ openssl x509 -signkey dev_key.pem -in req.pem -out cert.pem
```

The first command creates a self-signed Certificate for "NXP Semiconductor". The signing is done using the key specified by the fake PEM file.

The second command creates a self-signed certificate for the request. The private key used to sign the certificate is the same as the private key used to create the request.

5.4.3.3.2 PKCS#11 based OpenSSL Engine (Third-party OpenSC/libp11)

libp11 is a library implementing a thin layer on top of PKCS#11 API to make using PKCS#11 implementations easier.

You can get library from: <https://github.com/OpenSC/libp11>.

This code repository produces two libraries:

- libp11 provides a higher-level (compared to the PKCS#11 library) interface to access PKCS#11 objects. It is designed to integrate with applications that use OpenSSL.
- pkcs11 engine plugin for the OpenSSL library allows accessing PKCS#11 modules in a semi-transparent way.

pkcs11 engine for OpenSSL can be installed on board using command **sudo apt-get install libengine-pkcs11-openssl**

Above command will install the libpkcs11.so (pkcs11 engine) in /usr/lib/aarch64-linux-gnu/engines-1.1/libpkcs11.so and this will be *dynamic_path* in OpenSSL configuration file.

For running the PKCS#11 OpenSSL Engine with our PKCS#11 Library add following into your global OpenSSL configuration file (often in /etc/ssl/openssl.cnf). This line must be placed at the top, before any sections are defined:

```
openssl_conf = openssl_init
```

This should be added to the bottom of the file:

```
[openssl_init]
engines=engine_section
[engine_section]
pkcs11 = pkcs11_section
[pkcs11_section]
engine_id = pkcs11
dynamic_path = <path-to-pkcs11-engine>/libpkcs11.so
MODULE_PATH = <path-to-NXP-pkcs11-library>/libpkcs11.so
init = 0
```

The *dynamic_path* value is the pkcs11 engine plug-in, the *MODULE_PATH* value is the NXP PKCS#11 library. The *engine_id* value is an arbitrary identifier for OpenSSL applications to select the engine by the identifier.

5.4.3.3.2.1

Testing the engine operation

To verify that the engine is properly operating you can use the following example.

```
$ openssl engine pkcs11 -t
(pkcs11) pkcs11 engine
```

[available]

5.4.3.3.2.2

Using p11tool and OpenSSL from the command line:

This section demonstrates how to use the command line to create a self-signed certificate for "NXP Semiconductor". The key of the certificate will be generated in the token and will not be exportable.

p11tool from GnuTLS and this engine with OpenSSL work in combination.

p11tool is a tool that manipulates PKCS #11 tokens. Export/import data from PKCS #11 tokens. To use PKCS #11 tokens with gnutls the configuration file /etc/gnutls/pkcs11.conf must exist and contain number lines of the form "load=<pkcs-library-path>" or this PKCS#11 module can be provided directly as --provider in command line as argument.

p11tool can be installed by running command **sudo apt-get install gnutls-bin**

For more configuration options check: https://www.gnutls.org/manual/html_node/p11tool-Invocation.html.

Check for key which is already created from **sobj_app** via p11tool.

The following commands utilize p11tool for that.

```
$ p11tool --provider <path-to-NXP-PKCS-library>/libpkcs11.so --list-privkeys
```

```
root@ls1028ardb:~# p11tool --provider /root/libpkcs11.so --list-privkeys
Object 0:
  URL: pkcs11:model=;manufacturer=NXP;serial=1;token=TEE_BASED_TOKEN;
%01%00%00%00;object=Device_Key3;type=private
  Type: Private Key
  Label: Device Key3
  Flags: CKA_NEVER_EXTRACTABLE; CKA_SENSITIVE;
  ID: 01:00:00:00
Object 1:
  URL: pkcs11:model=;manufacturer=NXP;serial=1;token=TEE_BASED_TOKEN;
%01%00%00%00;object=Device_Key2;type=private
  Type: Private Key
  Label: Device Key2
  Flags: CKA_NEVER_EXTRACTABLE; CKA_SENSITIVE;
  ID: 01:00:00:00
Object 0:
  URL: pkcs11:model=;manufacturer=NXP;serial=1;token=TEE_BASED_TOKEN;
%01%00%00%00;object=Device_Key3;type=private
  Type: Private Key
  Label: Device Key
  Flags: CKA_NEVER_EXTRACTABLE; CKA_SENSITIVE;
  ID: 01:00:00:00
root@ls1028ardb:~#
```

Note the PKCS #11 URL shown above and use it in the commands below.

To generate a certificate with its key in the PKCS #11 module, the following command can be used.

Following command creates a self-signed Certificate for "NXP Semiconductor". The signing is done using the key specified by the URL.

```
$ openssl req -engine pkcs11 -new -key
"pkcs11:model=;manufacturer=NXP;serial=1;token=TEE_BASED_TOKEN;id=
%01%00%00%00;object=Device_Key3
```

```
;type=private" -keyform engine -out req.pem -text -x509 -subj "/CN=NXP
Semiconductor"
```

5.4.4 Board Bootup and Running applications

5.4.4.1 Board Bootup

1. Prepare the images using the Layerscape LDP documentation and boot up the board with `secure-boot` and ITS set to 1.
 ITS = 1 is required for BootROM to generate the Manufacturing Protection Private Key.
 For setting ITS bit to 1, run following command after programming SRKH and before removing the boot hold off. The test is performed on LS1046ARDB.
#To do ITS=1
`ccs::write_mem 32 0x1e80200 4 0 0x00000004`
2. After booting up the board with LDP images, check if the following images are placed in their corresponding places.

Binary	Place in rootfs
b05bcf48-9732-4efa-a9e0-141c7c888c34.ta	/lib/optee_armtz/
libsecure_obj.so	/usr/lib
sobj_app	/usr/bin
mp_app	/usr/bin
mp_verify	/usr/bin
libeng_secure_obj.so	/usr/lib/aarch64-linux-gnu/openssl-1.0.0/engines/
sobj_eng_app	/usr/bin
securekeydev.ko	This path depends on Linux Kernel Version: Linux Kernel <version> - /lib/modules/<version>/extra/
libpkcs11.so	/usr/lib
pkcs11_app	/usr/bin
thread_test	/usr/bin

For compilation steps, see [Section 5.4.6](#)

3. Run `tee-suppllicant &` command from the Linux prompt.
4. Depending on the Linux kernel version used `insmod securekeydev.ko` from right folder.
5. Run the applications as described in [Running the applications](#).

5.4.4.2 Running applications

Two applications are available with the package.

- **sobj_app** : Provides interface to generate/import key objects via Secure Object Library
- **pkcs11_app**: Provides interface to enumerate objects in the HSM and perform cryptographic operations.
- **mp_app**: This application demonstrates how to Get MP Public Key, sign a message using MP private key, Get Message tag.
- **mp_verify**: This app uses OpenSSL APIs to verify the signature obtained by using `mp_app` application.

- **sobj_eng_app**: This app uses OpenSSL APIs to show how to use Secure Object based OpenSSL Engine. This application is loading the private key and then doing cryptographic operations using this key.
- **thread_test**: PKCS#11 application to test multithreading feature of PKCS#11 library.

Note: These are reference applications to demonstrate the usage of APIs as described in [Supported APIs](#).

5.4.4.2.1 sobj_app

To create or generate objects, run the `sobj_app` application.

- **sobj_app**: This command shows help related to `sobj_app`.

```

root@Ubuntu:~# sobj_app
    Only one of the below options are allowed per execution:-

    -C - Create Object
    -G - Generate Object
    -A - Attributes of the Object
    -L - List Object
    -R - Remove/Erase Object

    Use below Sub options along with Main options:-
    -o - Object Type (Supported: pair, pub)
    -k - Key Type (Supported: rsa, ec)
    -s - RSA Key Size/Length (Supported: 1024, 2048).
    -c - EC Curve (Supported: prime256v1, secp384r1).
    -f - File Name (.pem) (Private Key).
    -l - Object Label
    -i - Object Id. (In Decimal)
    -h - Object Handle (In Decimal)
    -n - Number of Objects (Default = 5)
    -m - Mechanism Id (Supported: rsa-pair, ec-pair)
    -w - Fake .pem file. (Optional command while generating/creating RSA, ECDSA key-pair).

    Usage:
    Creation:
    sobj_app -C -f <private.pem> -k <key-type> -o <obj-type> -s <key
    sobj_app -C -f sk_private.pem -k rsa -o pair -s 2048 -l "Device_
    sobj_app -C -f sk_private.pem -k ec -o pair -l "Device_Key" -i 1
    sobj_app -C -f sk_private.pem -k rsa -o pair -s 2048 -l "Device_

    Generation:
    sobj_app -G -m <mechanism-ID> -s <key-size> -l <key-label> -i <k
    sobj_app -G -m rsa-pair -s 2048 -l "Device_Key" -i 1
    sobj_app -G -m ec-pair -c prime256v1 -l "Device_Key" -i 1
    sobj_app -G -m rsa-pair -s 2048 -l "Device_Key" -i 1 -w dev_key.

    Attributes:
    sobj_app -A -h <obj-handle>
    sobj_app -A -h 1

    List:
    sobj_app -L [-n <num-of-obj>] -k <key-type> -l <obj-label> -s <ke
    Objects can be listed based on combination of any above criteri

    Remove
    sobj_app -R -h <obj-handle>
    sobj_app -R -h 1
    
```

• Importing an RSA key pair to HSM:

sobj_app -C -f <private.pem> -k <key-type> -o <obj-type> -s <key-size> -l <obj-label> -i <obj-ID>

This command helps in importing a key to the HSM. It creates an object in HSM reading key from <private.pem> with object label <obj-label> and object ID <obj-ID>. This private.pem can be generated by openssl using the command below:

openssl genrsa -out rsa_key_2048.pem 2048

Handle of the object created in the HSM is printed as an output to the command. This handle can be used for further operations on the created object (for example, delete, printing attributes and so on).


```

root@localhost:~# subj_app -C -f rsa_key_2048.pem -k rsa -o pair -s 2048 -l "rsa_create_2048" -i 0
Creating the Object.
Import Key from rsa_key_2048.pem
Key Length = 2048
Object created successfully handle = 0
root@localhost:~#
root@localhost:~#
root@localhost:~# subj_app -C -f rsa_key_2048.pem -k rsa -o pub -s 2048 -l "rsa_create_2048" -i 0
Creating the Object.
Import Key from rsa_key_2048.pem
Key Length = 2048
Object created successfully handle = 1

```

- **Importing an ECDSA key pair to HSM:**

subj_app -C -f <private.pem> -k <key-type> -o <obj-type> -l <obj-label> -i <obj-ID>

This command helps in importing a key to the HSM. It will create an object in HSM reading key from <private.pem> with object label <obj-label> and object ID <obj-ID>.

This private.pem can be generated by openssl using below command:

openssl ecparam -genkey -name prime256v1 -noout -out ec_key_256.pem

Handle of the object created in the HSM is printed as an output to the command. This handle can be used for further operations on the created object (for example, delete, printing attributes, and so on).

```

root@localhost:~#
root@localhost:~# subj_app -C -f ec_key_256.pem -k ec -o pair -l "ecc_create_256" -i 2
Creating the Object.
Object created successfully handle = 2
root@localhost:~#
root@localhost:~# subj_app -C -f ec_key_256.pem -k ec -o pub -l "ecc_create_256" -i 2
Creating the Object.
Object created successfully handle = 3
root@localhost:~#

```

- **Generating an RSA key pair in HSM:**

subj_app -G -m <mechanism-ID> -s <key-size> -l <key-label> -i <key-ID>

This command generates an object of type derived from mechanism-ID of size <key-size> with label <key-label> and ID <key-ID>

Handle of the object created is printed as an output to the command. This handle can be used for further operations on the created object (for example, delete, printing attributes and so on)

```

root@localhost:~#
root@localhost:~# subj_app -G -m rsa-pair -s 2048 -l "rsa_gen_2048" -i 1
Generating the Object.
Objects generated successfully handle
Private Key = 4, Public Key = 5
Exiting GenerateKeyPair
root@localhost:~#
root@localhost:~#

```

- **Generating ECDSA key pair in HSM:**

subj_app -G -m <mechanism-ID> -c <curve> -l <key-label> -i <key-ID>

This command will generate an object of type derived from mechanism-ID of size <key-size> with label <key-label> and ID <key-ID>

Handle of the object created is printed as an output to the command. This handle can be used for further operations on the created object (for example, delete, printing attributes, and so on).

```

root@localhost:~#
root@localhost:~# subj_app -G -m ec-pair -c prime256v1 -l "ecc_gen_256" -i 4
Generating the Object.
Objects generated successfully handle
Private Key = 6, Public Key = 7
Exiting GenerateKeyPair
root@localhost:~#

```

- **Display attributes of an object in the HSM:**

sobj_app -A -h <obj-handle>

This command shows some attributes related to object created. Pass the object handle <obj-handle> to the command. This <obj-handle> is printed during generation or import of objects to HSM.

```
root@localhost:~# sobj_app -A -h 0
Attributes of Object Handle: 0
  Object Label: rsa_create_2048
  Object Id: 0
  Object Type: KEY_PAIR[0x10000]
  Object Key Type: RSA[0x0]
root@localhost:~#
root@localhost:~#
root@localhost:~# sobj_app -A -h 6
Attributes of Object Handle: 6
  Object Label: ecc_gen_256
  Object Id: 4
  Object Type: KEY_PAIR[0x10000]
  Object Key Type: EC[0x1]
root@localhost:~#
root@localhost:~#
root@localhost:~#
root@localhost:~# sobj_app -A -h 4
Attributes of Object Handle: 4
  Object Label: rsa_gen_2048
  Object Id: 1
  Object Type: KEY_PAIR[0x10000]
  Object Key Type: RSA[0x0]
root@localhost:~#
root@localhost:~#
```

- **List handles of the objects available in the HSM:**

sobj_app -L [-n <num-of-obj> -k <key-type> -l <obj-label> -s <key-size> -i <obj-id>]

This command list handles the objects that are already created or generated based on some search criteria (if given). You can then use this command handle to print the rest of the attributes. For more details, see the above command.

```
root@localhost:~# sobj_app -L -n 20
None of the search option (-i -o -k -s -l) is provided. Listing all Object.
Following objects found:
Object[0] handle = 0
Object[1] handle = 1
Object[2] handle = 2
Object[3] handle = 3
Object[4] handle = 4
Object[5] handle = 5
Object[6] handle = 6
Object[7] handle = 7
root@localhost:~#
root@localhost:~#
root@localhost:~#
root@localhost:~# sobj_app -L -l ecc_create_256
Missing Option [-n]. Listing max of 5 objects.
Following objects found:
Object[0] handle = 2
Object[1] handle = 3
root@localhost:~#
root@localhost:~#
root@localhost:~# sobj_app -L -l ecc_create
Missing Option [-n]. Listing max of 5 objects.
No Object Found.

Following objects found:
root@localhost:~#
root@localhost:~#
root@localhost:~# sobj_app -L -s 2048
Missing Option [-n]. Listing max of 5 objects.
Following objects found:
Object[0] handle = 0
Object[1] handle = 1
Object[2] handle = 4
Object[3] handle = 5
root@localhost:~#
```

5.4.4.2.2 pkcs11_app

- **pkcs11_app** – This command shows commands available.

```

root@Ubuntu:/greengrass# pkcs11_app
Only one of the below option is allowed per execution:-

-I - Library Information.
-T - Token
-P - Slot
-M - Mechanism
-F - Find
-S - Sign
-V - Verify
-E - Encrypt
-D - Decrypt

Use below Sub options along with Main options:-
-i - Info.
-l - List.
-k - Key Type (Supported: rsa, ec)
-o - Object Type (Supported: pub, prv)
-b - Object Label.
-p - Slot Id.
-n - Number of Object to be Listed (Default n =10).
-m - Mechanism Id
Supported Mechanism: rsa, rsa-oaep, md5-rsa, shal-rsa, sha256-rsa, sha384-rsa, sha512-rsa, ec, shal-ec
EC/RSA Sign/Verify: rsa, md5-rsa, shal-rsa, sha256-rsa, sha384-rsa, sha512-rsa, ec, shal-ec
RSA Encrypt/Decrypt: rsa, rsa-oaep
-d - Plain Data
-s - Signature Data
-e - Encrypted Data

Usage:
Library Information:
pkcs11_app -I

Slot/Token Commands:
pkcs11_app -P -l
pkcs11_app -P -i -p <slot-ID>; (pkcs11_app -P -i -p 0)
pkcs11_app -T -i -p <slot-ID>; (pkcs11_app -T -i -p 0)

Mechanism:
pkcs11_app -M -l -p <slot-ID>; (pkcs11_app -M -l -p 0)
pkcs11_app -M -m <mech-ID> -i -p <slot-ID>; (pkcs11_app -M -m rsa -i -p 0)
pkcs11_app -M -i -p <slot-ID>; (pkcs11_app -M -i -p 0)

Object Search:
pkcs11_app -F -p <slot-ID> [-n <num-of-obj> -k <key-type> -b <obj-label> -o <obj-type>]
Objects can be listed based on combination of any above criteria.

Signature Generation
pkcs11_app -S -k <key-type> -b <key-label> -d <Data-to-be-signed> -m <mech-ID> -p <slot-ID>
pkcs11_app -S -k rsa -b Device_Key -d "PKCS11 TEST DATA" -m md5-rsa -p 0
pkcs11_app -S -k ec -b Device_Key -d "PKCS11 TEST DATA" -m shal-ec -p 0

Signature Verification
pkcs11_app -V -k <key-type> -b <key-label> -d <Data-previously-signed> -s <signature-file> -m <mech-ID> -p <slot-ID>
pkcs11_app -V -k rsa -b Device_Key -d "PKCS11 TEST DATA" -s sig.data -m md5-rsa -p 0
pkcs11_app -V -k ec -b Device_Key -d "PKCS11 TEST DATA" -s sig.data -m shal-ec -p 0

Public Key Encryption (RSA Only)
pkcs11_app -E -k <key-type> -b <key-label> -d <Data-to-be-encrypted> -m <mech-ID> -p <slot-ID>
pkcs11_app -E -k rsa -b Device_Key -d "PKCS11 TEST DATA" -m rsa -p 0

Private Key Decryption (RSA Only)
pkcs11_app -D -k <key-type> -b <key-label> -e enc.data -m <mech-ID> -p <slot-ID>
pkcs11_app -D -k rsa -b Device_Key -e enc.data -m rsa -p 0

```

- **pkcs11_app -I**: Library Information
- **pkcs11_app -P -l**: List the all available slots
- **pkcs11_app -P -i -p <slot-ID>** : Provides the information about Slot with <slot-ID>
- **pkcs11_app -T -i -p <slot-ID>** : Provides the information about Token inserted in Slot <slot-ID>

```
root@Ubuntu:~#
root@Ubuntu:~# pkcs11_app -I
Getting Information about Cryptoki Library
Library Manufacturer = NXP
Library Description = libpkcs11
root@Ubuntu:~#
root@Ubuntu:~#
root@Ubuntu:~# pkcs11_app -P -l
Slot List :
    Slot ID = 0
root@Ubuntu:~#
root@Ubuntu:~# pkcs11_app -P -i -p 0
Slot info of in-use slot with ID = 0 :
    Slot Description: TEE_BASED_SLOT
    Slot Manufacturer = NXP
root@Ubuntu:~#
root@Ubuntu:~#
root@Ubuntu:~# pkcs11_app -T -i -p 0
TokenInfo for Slot Id: 0.
    Token Label = TEE_BASED_TOKEN
    Token Manufacturer = NXP
root@Ubuntu:~#
root@Ubuntu:~#
root@Ubuntu:~#
```

- **pkcs11_app -M -l -p <slot-ID>** : Lists the Mechanism List supported by token in Slot <slot-ID>
- **pkcs11_app -M -m <mech-ID> -i -p <slot-ID>** : Gives information about the mechanism with <mech-ID> for Slot <slot-ID>

```
root@Ubuntu:~/new# pkcs11_app -M -l -p 0
Mechanism listing from the Slot Id = 0:
    CKM_MD5 with mechanism ID[528].
    CKM_SHA_1 with mechanism ID[544].
    CKM_SHA256 with mechanism ID[592].
    CKM_SHA384 with mechanism ID[608].
    CKM_SHA512 with mechanism ID[624].
    CKM_RSA_PKCS with mechanism ID[1].
    CKM_MD5_RSA_PKCS with mechanism ID[5].
    CKM_SHA1_RSA_PKCS with mechanism ID[6].
    CKM_SHA256_RSA_PKCS with mechanism ID[64].
    CKM_SHA384_RSA_PKCS with mechanism ID[65].
    CKM_SHA512_RSA_PKCS with mechanism ID[66].
    CKM_ECDSA_SHA1 with mechanism ID[4162].
    CKM_ECDSA with mechanism ID[4161].
    CKM_RSA_PKCS_KEY_PAIR_GEN with mechanism ID[0].
    CKM_EC_KEY_PAIR_GEN with mechanism ID[4160].
    CKM_RSA_PKCS_OAEP with mechanism ID[9].
root@Ubuntu:~/new#
root@Ubuntu:~/new#
root@Ubuntu:~/new# pkcs11_app -M -m rsa -i -p 0
Mechanism Info for CKM_RSA_PKCS with mechanism ID[1].
    Minimum Key Size = 512
    Maximum Key Size = 2048
    Mechanism Capabilities: CKF_DECRYPT, CKF_SIGN,
root@Ubuntu:~/new#
root@Ubuntu:~/new# pkcs11_app -M -m rsa-oaep -i -p 0
Mechanism Info for CKM_RSA_PKCS_OAEP with mechanism ID[9].
    Minimum Key Size = 1024
    Maximum Key Size = 2048
    Mechanism Capabilities: CKF_DECRYPT,
root@Ubuntu:~/new#
root@Ubuntu:~/new#
root@Ubuntu:~/new# pkcs11_app -M -m ec -i -p 0
Mechanism Info for CKM_ECDSA with mechanism ID[4161].
    Minimum Key Size = 256
    Maximum Key Size = 384
    Mechanism Capabilities: CKF_SIGN,
root@Ubuntu:~/new#
```

- **pkcs11_app -F -p <slot-ID>**: List all objects associated with token present in slot <slot-ID>
We have 2 objects already created via the **sobj_app**, which will be shown here through **pkcs11_app** find operation.

```
root@Ubuntu:~# pkcs11_app -F -p 0
None of the search option (-b -o -k) is provided. Listing all Object.
Missing Option [-n]. Listing Object max upto Count = 10.
object[0] = aaab045aba60
    Label: ecc_gen_256
    Class: CKO_PRIVATE_KEY
    Object ID: 0x3
    Key Type: CKK_EC
object[1] = aaab045ab360
    Label: ecc_gen_256
    Class: CKO_PUBLIC_KEY
    Object ID: 0x3
    Key Type: CKK_EC
object[2] = aaab045aa9e0
    Label: rsa_gen_2048
    Class: CKO_PRIVATE_KEY
    Object ID: 0x2
    Key Type: CKK_RSA
object[3] = aaab045aa1e0
    Label: rsa_gen_2048
    Class: CKO_PUBLIC_KEY
    Object ID: 0x2
    Key Type: CKK_RSA
object[4] = aaab045a99d0
    Label: ecc_create_256
    Class: CKO_PRIVATE_KEY
    Object ID: 0x1
    Key Type: CKK_EC
object[5] = aaab045a91f0
    Label: ecc_create_256
    Class: CKO_PUBLIC_KEY
    Object ID: 0x1
    Key Type: CKK_EC
object[6] = aaab045a8870
    Label: rsa_create_2048
    Class: CKO_PRIVATE_KEY
    Object ID: 0x0
    Key Type: CKK_RSA
object[7] = aaab045a7e30
    Label: rsa_create_2048
    Class: CKO_PUBLIC_KEY
    Object ID: 0x0
    Key Type: CKK_RSA
root@Ubuntu:~#
```

- **Currently search can be made based on 3 criteria via this app:**

- o: Object type (Can be public key, private key, certificates and so on)(For now supports only public and private keys)

- k: Key type (Can be RSA, EC, AES and so on)(For now supports only RSA)

- b: Object Label associated with object while creating/generating.

pkcs11_app -F -o <obj-type> -k <key-type> -b <label> -p <slot-ID> : List all objects which are having object type <obj-type> of key type <key-type> and with label <label> on token present in slot <slot-ID>

```
root@Ubuntu:~# pkcs11_app -F -p 0 -o prv
Missing Option [-n]. Listing Object max upto Count = 10.
object[0] = aaaac6933a80
    Label: ecc_gen_256
    Class: CKO_PRIVATE_KEY
    Object ID: 0x3
    Key Type: CKK_EC
object[1] = aaaac6932a00
    Label: rsa_gen_2048
    Class: CKO_PRIVATE_KEY
    Object ID: 0x2
    Key Type: CKK_RSA
object[2] = aaaac69319f0
    Label: ecc_create_256
    Class: CKO_PRIVATE_KEY
    Object ID: 0x1
    Key Type: CKK_EC
object[3] = aaaac6930890
    Label: rsa_create_2048
    Class: CKO_PRIVATE_KEY
    Object ID: 0x0
    Key Type: CKK_RSA
root@Ubuntu:~#
root@Ubuntu:~# pkcs11_app -F -p 0 -k ec
Missing Option [-n]. Listing Object max upto Count = 10.
object[0] = aaaac8a4ba80
    Label: ecc_gen_256
    Class: CKO_PRIVATE_KEY
    Object ID: 0x3
    Key Type: CKK_EC
object[1] = aaaac8a4b380
    Label: ecc_gen_256
    Class: CKO_PUBLIC_KEY
    Object ID: 0x3
    Key Type: CKK_EC
object[2] = aaaac8a499f0
    Label: ecc_create_256
    Class: CKO_PRIVATE_KEY
    Object ID: 0x1
    Key Type: CKK_EC
object[3] = aaaac8a49210
    Label: ecc_create_256
    Class: CKO_PUBLIC_KEY
    Object ID: 0x1
    Key Type: CKK_EC
root@Ubuntu:~#
```

- **pkcs11_app -S -k <key-type> -b <key-label> -d <Data-to-be-signed> -m <mech-ID> -p <slot-ID>**

This command will sign the <Data> with private key of type <key-type> having label <key-label> using mechanism specified by <mech-ID> with functions provided by token in slot <slot-ID>

After successful signing, the signature will be saved in file "sig.data"

RSA signing:

```
root@Ubuntu:~#
root@Ubuntu:~# pkcs11_app -S -k rsa -b Device_Key -d "PKCS11 TEST DATA" -m md5-rsa -p 0
Signing...
Size of Unsigned data = 16
Signature size: 256
Signature is saved in the file sig.data:
root@Ubuntu:~#
```

ECDSA signing:

```
root@Ubuntu:~#
root@Ubuntu:~# pkcs11_app -S -k ec -b ecc_gen_256 -d "PKCS11 TEST DATA" -m sha1-ec -p 0
Signing...
Size of Unsigned data = 16
Signature size: 512
Signature is saved in the file sig.data:
```

- **pkcs11_app -V -k <key-type> -b <key-label> -d <Data-previously-signed> -s <signature-file> -m <mech-ID> -p <slot-ID>**

This command verifies the signature <signature-file> with public key of type <key-type> having label <key-label> using mechanism specified by <mech-ID> with functions provided by token in slot <slot-ID> by comparing the data recovered from signature to <Data-previously-signed>. This command uses OpenSSL APIs to do the verification. Refer to the application code for details.

<mech-ID> passed must match with the <mech-ID> passed during signature otherwise verification fails, as shown in following picture.

RSA Verification:

```
root@Ubuntu:~# pkcs11_app -V -k rsa -b Device_Key -d "PKCS11 TEST DATA" -s sig.data -m md5-rsa -p 0
Verifying...
CKM_MD5_RSA_PKCS verification success
root@Ubuntu:~#
root@Ubuntu:~#
root@Ubuntu:~# pkcs11_app -V -k rsa -b Device_Key -d "PKCS11TEST DATA" -s sig.data -m md5-rsa -p 0
Verifying...
CKM_MD5_RSA_PKCS verification failure
root@Ubuntu:~#
```

ECDSA Verification:

```
root@Ubuntu:~# pkcs11_app -V -k ec -b ecc_gen_256 -d "PKCS11 TEST DAT" -s sig.data -m sha1-ec -p 0
Verifying...
sig_bytes = 64
ret = 0, CKM_ECDSA_SHA1 verification failed
root@Ubuntu:~#
root@Ubuntu:~# pkcs11_app -V -k ec -b ecc_gen_256 -d "PKCS11 TEST DATA" -s sig.data -m sha1-ec -p 0
Verifying...
sig_bytes = 64
CKM_ECDSA_SHA1 verification success
root@Ubuntu:~#
```

- **pkcs11_app -E -k <key-type> -b <key-label> -d <Data> -m <mech-ID> -p <slot-ID>**

This command will encrypt the <Data> with public key of type <key-type> having label <key-label> using mechanism specified by <mech-ID> with functions provided by token in slot <slot-ID>

After successful signing, the signature will be saved in file "enc.data"


```
root@Ubuntu:~/new#
root@Ubuntu:~/new# pkcs11_app -E -k rsa -b Device_Key -d "PKCS11 TEST DATA" -m rsa -p 0
Encrypting...
Encrypted data saved in enc.data
root@Ubuntu:~/new#
root@Ubuntu:~/new#
```

- **pkcs11_app -D -k <key-type> -b <key-label> -e enc.data -m <mech-ID> -p <slot-ID>**

This command will decrypt the encrypted data in "enc.data" with private key of type <key-type> having label <key-label> using mechanism specified by <mech-ID> with functions provided by token in slot <slot-ID>

After successful signing, the signature will be saved in file "enc.data"

```
root@Ubuntu:~/new#
root@Ubuntu:~/new# pkcs11_app -D -k rsa -b Device_Key -e enc.data -m rsa -p 0
Decrypting...
Decrypted Data: PKCS11 TEST DATA
root@Ubuntu:~/new#
root@Ubuntu:~/new#
```

5.4.4.2.3 mp_app

This application demonstrates how to use the following APIs:

- Get MP public key.
- Sign a message using MP private key.
- Get Message tag.

The application source code at location "**secure_obj/securekey_lib/app/mp_app.c**" can be used as reference for integration of these APIs.

mp_app - This application gives 3 options.

Usage:

- **mp_app -p**: Get the MP public key and store it in a file "pub_key"
- **mp_app -s <MSG>**: Sign <MSG> with MP private key and store signature in file "signature"
- **mp_app -m**: Get the MP Message tag and store it in file "mtag"

```

root@Ubuntu:~#
root@Ubuntu:~# mp_app -p
Generating the MP Public Key
Public key x part = 94d9548963b8fd4f4ebd253320cc8a7ad3342b16288c18eccddc2fd1482a9b0b
Public key y part = e2d4bd22c40a7c2a41a8ca68204c0a346dde9721bb710bc3a5df31a50099c572
Public key in form of x followed by y is saved in pub_key file
root@Ubuntu:~#
root@Ubuntu:~# mp_app -s "HELLO"

Signing message 'HELLO' with MP Priv Key
HELLO in Hex = 48454c4c4f
Generated Hash = 504eb5a99c0ab4a6b27678cb6dd36bd2c365d9d5a666cc16ac5a2fbd5b5049a9
Signature part r = 37a3bac5c27a981f6826c6c3e6841ff687a838e24fc5fb9dd8809b567a5fc194
Signature part s = 2babeea4da0192d2e6363eebc179e49dbcf933865e13a0215eb06acb380a6cdd
Signature in form of r followed by s is saved in signature file
root@Ubuntu:~#
root@Ubuntu:~#
root@Ubuntu:~# mp_app -m

MP Tag = 9bac8c5220dcbec0114d651879e5d5891160fcf14e3d5a4d79403c5a1252ded9
MP Tag is saved in mptag file
root@Ubuntu:~#
root@Ubuntu:~#

```

5.4.4.2.4 mp_verify

This app uses OpenSSL APIs to verify the signature obtained by using the **mp_app** application. For reference, use the application source code at location **secure_obj/securekey_lib/app/mp_verify.c**.

mp_verify: This application verifies the signature generated by `mp_app -s`.

Usage:

mp_verify -p <pubkeyfile> -s <signaturefile> -m <mtagfile> -M <MSG>

This <MSG> must be same which is used in `mp_app -s <MSG>`

```

root@Ubuntu:~# mp_verify -s signature -p pub_key -m mtag -M "HELLO"
pub key file = pub_key, sign file = signature, mtag file = mtag, Message = HELLO
Pub Key read from file = 94d9548963b8fd4f4ebd253320cc8a7ad3342b16288c18eccddc2fd
1482a9b0be2d4bd22c40a7c2a41a8ca68204c0a346dde9721bb710bc3a5df31a50099c572
Signature read from file = 37a3bac5c27a981f6826c6c3e6841ff687a838e24fc5fb9dd8809
b567a5fc1942babeea4da0192d2e6363eebc179e49dbcf933865e13a0215eb06acb380a6cdd
Mtag read from file = 9bac8c5220dcbec0114d651879e5d5891160fcf14e3d5a4d79403c5a12
52ded9

Generated Hash = 504eb5a99c0ab4a6b27678cb6dd36bd2c365d9d5a666cc16ac5a2fbd5b5049a
9
Verified EC Signature
Verification successful
root@Ubuntu:~# █

```

5.4.4.2.5 sobj_eng_app

This app uses OpenSSL APIs to show how to use Secure Object based OpenSSL Engine.

Code for this app is at “**secure_obj/secure_obj-openssl-engine/app/sobj_eng_app.c**”.

This application is internally loading RSA private key and then doing cryptographic operations using this key.

Private key operations are offloaded to Secure Object Library via this engine, and Public Key operations are done through OpenSSL itself.

The following figure shows steps to create a key via **sobj_app**. It will be used by **sobj_eng_app** (using OpenSSL APIs) to do the cryptographic operations.

This **sobj_eng_app** is internally offloading the cryptographic operation to Secure Object Library using the OpenSSL Engine based on Secure Object Library.

```
root@localhost:~# sobj_app -G -m rsa-pair -s 2048 -l "Device_Key" -i 1 -w dev_key.pem
Generating the Object.
Objects generated successfully handle
Private Key = 0, Public Key = 1
Exiting GenerateKeyPair
root@localhost:~#
root@localhost:~# sobj_eng_app dev_key.pem pkcs
Key File = dev_key.pem
Padding Scheme = pkcs
Plain Text = This is test data to be tested
Starting RSA Public Encrypt....
Encryption Complete: Length of Encrypted Data = 256

Starting RSA Private Decryption....
Decryption Complete: Decrypted Text = This is test data to be tested

Starting RSA Private Encryption....
Plain Text = This is test data to be tested
Encryption Complete: Length of Encrypted Data = 256

Starting RSA Public Decryption....
Decryption Complete: Decrypted Text = This is test data to be tested

root@localhost:~#
root@localhost:~# sobj_eng_app dev_key.pem oaep
Key File = dev_key.pem
Padding Scheme = oaep
Plain Text = This is test data to be tested
Starting RSA Public Encrypt....
Encryption Complete: Length of Encrypted Data = 256

Starting RSA Private Decryption....
Decryption Complete: Decrypted Text = This is test data to be tested

root@localhost:~# █
```

5.4.4.2.6 thread_test

PKCS#11 based application to test the multithreading support in PKCS#11 Library.

This application will be taking the number of threads to create as an argument, if not given by default it will create 10 threads.

thread_test <num-of-threads>

This application is making threads and each thread is doing the signing operation.

As part of signing operation each thread is doing following operations:

- Opening a R/O session with token.
- Find an RSA private key from token.

- Sign data using this RSA private key.
- Get the public part of the RSA private key.
- Verify the generated signature using OpenSSL.

All threads try to do this in parallel, but if one of the threads finished its work and “Finalized” the library, all other threads will terminate, because library is not in initialized state now.

NOTE: This sequence of operations is used only for test purpose.

5.4.5 Validation

Above steps are fully validated and verified on LS1046ARDB platform.

5.4.6 Appendix

5.4.6.1 Appendix A: Steps to build the PKCS#11 Library

PKCS Library is using Secure Object Library.

For steps to build Secure object library, see [Section 5.4.6.2](#).

From Yocto environment:

```
bitbake -c libpkcs11
```

Standalone Build:

1. Clone the libpkcs11 from: <https://github.com/nxp-qoriq/libpkcs11>.
2. Checkout tag 1f-<release number>
For example, 1f-6.1.55_2.2.0
3. Set path for cross-compile:

```
$:> export CROSS_COMPILE=<aarch64-toolchain>
```

4. Set path for Secure Object:

```
$:> export SECURE_OBJ_PATH=<path-to-secure_obj>/secure_obj/securekey_lib/out/  
export/
```

5. Set path for OpenSSL:

Note: For interoperability, we are verifying the signature generated by PKCS Library via OpenSSL, so reference application needs OpenSSL library, so exporting OPENSSL_PATH.

We have cloned and compiled the OpenSSL in “Steps to build the Secure Object Library”, therefore, only give path of that folder in OPENSSL_PATH.

```
$:> export OPENSSL_PATH=<openssl-folder>
```

6. Run make:

```
$:> make
```

This compiles the libpkcs11 and reference applications and put it into “images” folder in libpkcs11. Following images are generated:

- **libpkcs11.so** – PKCS#11 User space library.
- **pkcs11_app** – PKCS#11 Test App.
- **thread_test** - PKCS#11 application to test multithreading feature of PKCS#11 library

5.4.6.2 Appendix B: Steps to build the Secure Object Library

From Yocto environment:

```
echo 'DISTRO_FEATURES:append = " secure"' >>conf/local.conf
bitbake qoriq-atf
```

Standalone Build:

Order of repo compilation for Secure Object Library.

1. OP-TEE OS

- a. Clone optee_os from: https://github.com/nxp-qoriq/optee_os
- b. Checkout tag 1f-6.1.55_2.2.0
- c. Set the path for the following:

```
[:> export CROSS_COMPILE64=<aarch64-toolchain>
```

- d. Now make.

```
[:> make CFG_ARM64_core=y PLATFORM=ls-ls1046ardb ARCH=arm
```

2. OP-TEE Client

- a. Clone optee_client from the link https://github.com/nxp-qoriq/optee_client
- b. Checkout tag 1f-6.1.55_2.2.0
- c. Set path for the following:

```
[:> export CROSS_COMPILE=<aarch64-toolchain-path->
```

- d. Now make.

```
[:> make
```

3. OpenSSL:

- a. Clone openssl from: <https://github.com/nxp-qoriq/openssl>
- b. Checkout tag 1f-6.1.55_2.2.0.
- c. Set path for the following:

```
[:> export CROSS_COMPILE=<aarch64-toolchain-path->
```

- d. Run configure as follows:

```
[:> ./Configure shared linux-aarch64
```

- e. Run make

```
[:> make
```

4. Secure Object:

- a. Clone secure_obj from: https://github.com/nxp-qoriq/secure_obj
- b. Checkout tag 1f-6.1.55_2.2.0
 - Secure Object Library code - securekey_lib
 - Secure Object Trusted Application code - secure_storage_ta
 - Secure Key Dev Kernel Module - securekeydev
 - Secure Object OpenSSL Engine - secure_obj-openssl-engine

There is script “compile.sh” which compiles all above components and put all binaries in “images”.

c. Follow the below compilation steps:

- Export CROSS_COMPILE path:

```
$:> export CROSS_COMPILE= <aarch64-toolchain-path->
```

- Export ARCH path:

```
$:> export ARCH=arm64
```

- Set the paths from OP-TEE OS:

```
$:> export TA_DEV_KIT_DIR=<path-to-optee-os>/optee_os/out/arm-plat-ls/  
export-ta_arm64/
```

- Set path for OP-TEE Client

```
$:> export OPTEE_CLIENT_EXPORT=<path-to-optee-client>/optee_client/out/  
export/
```

- Set path for Secure Storage:

```
$:> export SECURE_STORAGE_PATH=<path-to-secure_obj>/secure_obj/  
secure_storage_ta/ta/
```

- Set path for OpenSSL:

```
$:> export OPENSSL_PATH=<openssl-folder-path>
```

- Set path for Linux code using bitbake:

```
$:> export KERNEL_SRC=<path-in-kernel-source-code>  
For example,  
$:> export KERNEL_SRC=~<git_repo>/linux-nxp
```

- Set path for Linux build directory using bitbake:

```
$:> export KERNEL_BUILD=<path-in-kernel-build>  
For example,  
$:> export KERNEL_BUILD=~<build/linux-nxp/output>
```

- Set module installation path using bitbake:

```
$:> export INSTALL_MOD_PATH=<path-in-modules>  
For example:  
$:> export INSTALL_MOD_PATH=~<build/linux/arm64/LS/module/>
```

- Run “./compile.sh”. It compiles TA, library, and kernel module.

```
$:> ./compile.sh
```

It compiles all the binaries and put them into the images folder in `secure_obj`. After compilation, the images folder has the following:

- **b05bcf48-9732-4efa-a9e0-141c7c888c34.ta**: Trusted application for Secure Object library.
- **libsecure_obj.so**: User space Secure Object Library.
- **sobj_app**: Application for creating and erasing objects.
- **mp_app**: Application for getting MP public key, signing using MP private key and getting the MP tag.
- **mp_verify**: Application for verifying the signature generated through `mp_app`.
- **securekeydev.ko**: Kernel Module for offloading MP key feature to CAAM. Binaries to be placed at following locations in `rootfs`.
- **libeng_secure_obj**: Secure Object based OpenSSL engine offloading Private key operations to the Secure Object Library.

- **soj_eng_app**: This application uses OpenSSL APIs to show how to use Secure Object based OpenSSL Engine. This application is loading the private key and then doing cryptographic operations using this key.

6 Linux kernel

6.1 Introduction

The Linux kernel is a monolithic Unix-like computer operating system kernel. It is the central part of Linux operating systems that are extensively used on PCs, servers, handheld devices, and various embedded devices such as routers, switches, wireless access points, set-top boxes, smart TVs, DVRs, and NAS appliances. It manages tasks/applications running on the system and manages system hardware. A typical Linux system looks like this:

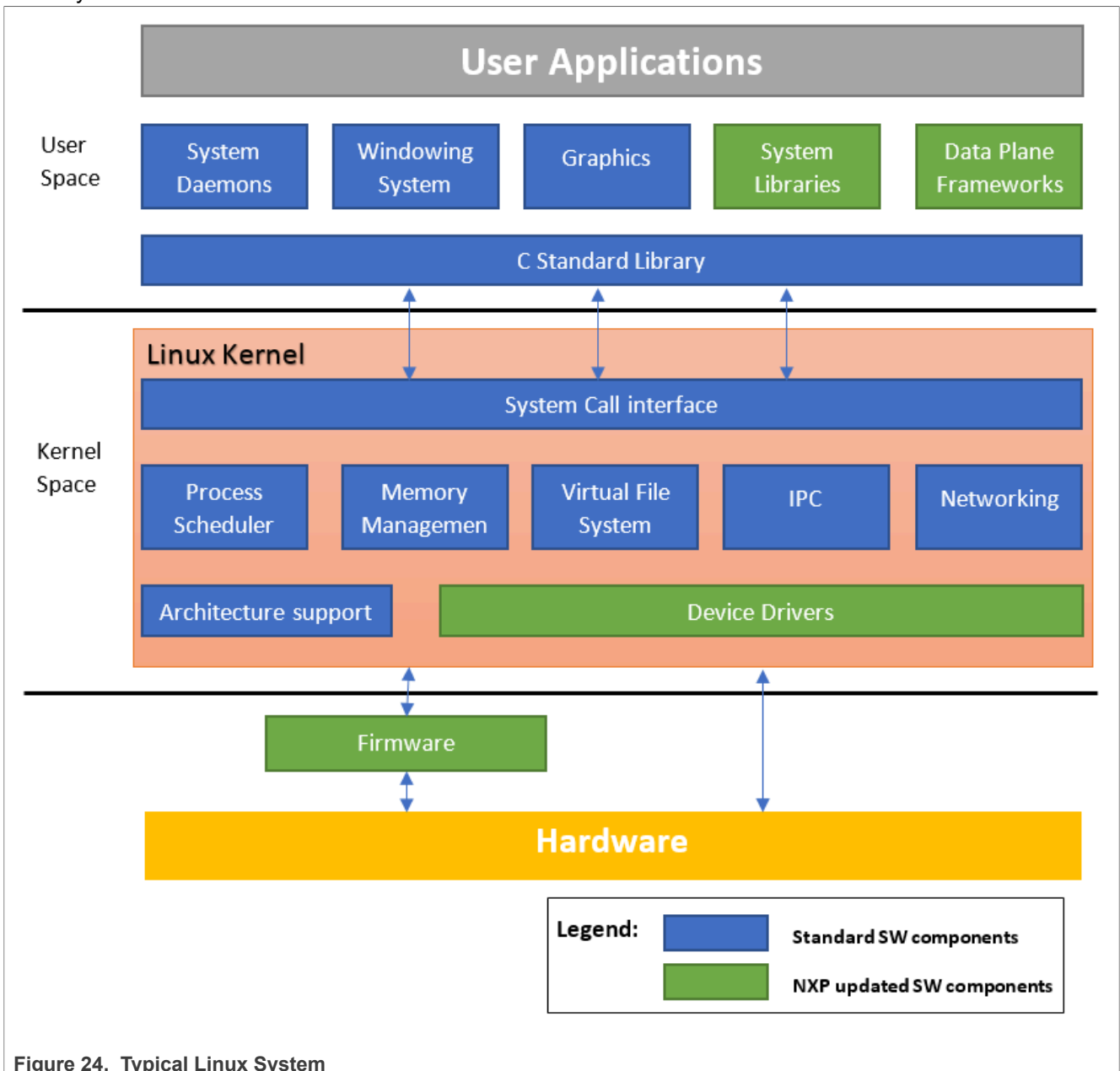


Figure 24. Typical Linux System

The Linux kernel was created in 1991 by Linus Torvalds and released as an open source project under GNU General Public License (GPL) version 2. It rapidly attracted developers around the world. In 2015 the Linux kernel has received contributions from nearly 12,000 programmers from more than 1,200 companies. The software is officially released on <http://www.kernel.org> website through downloadable packages and Git repositories. A general Linux kernel introduction from kernel.org can also be found at <https://www.kernel.org/doc/html/latest/admin-guide/README.html>.

6.2 Kernel Releases and relationship with Layerscape LDP

There are different Linux kernel releases coming from different sources. Below we listed the ones that are related to the Layerscape LDP kernel.

Kernel.org official kernel releases

- **Mainline**

Mainline tree is maintained by Linus Torvalds. It is the tree where all new features are introduced and where all the exciting new development happens. New mainline kernels are released every 2-3 months.

- **Long-term (LTS)**

There are several "Long-term maintenance" kernel releases provided for the purposes of backporting bug fixes for older kernel trees. Only important bug fixes are applied to such kernels and they do not see very frequent releases, especially for older trees.

Refer to <https://www.kernel.org/category/releases.html> for the current maintained Long-term releases.

Linaro LSK kernel release

Linaro is an open organization focused on improving Linux on Arm. They are also providing a Linux kernel release called Linaro Stable Kernel (LSK). It is based on kernel.org Long-term kernel releases and included Arm related features developed by Linaro. Normally these features are generic kernel features for the Arm architecture. Refer to <https://wiki.linaro.org/LSK> for more information about the LSK releases.

NXP Layerscape SDK kernel

NXP's SDK kernel often contains patches that are not upstream yet so essentially the Layerscape LDP kernel is an enhanced Linaro LSK which is in turn an enhanced kernel.org LTS. In order to fully utilize the Arm open source eco-system. The kernel versions provided in NXP Layerscape LDP will be chosen from the kernel.org Long-term releases to include the important bug fixes backported. It will also include generic Arm kernel features provided by the Linaro LSK release which could be important for some users.

6.3 Getting the Layerscape LDP kernel source code

With Layerscape LDP, NXP owned or updated software components are published on Github.

You can use Git commands and get the latest kernel source code.

- Install Git command if not there already. For example, on Ubuntu:

```
$ sudo apt-get install git
```

- Clone the Linux kernel source code with Git.

```
$ git clone https://github.com/nxp-qoriq/linux.git
```

- Checkout the desired kernel version. It is possible that the default one is not your desired kernel version.

```
$ cd linux $ git branch
```

Check the name of the current branch. If it is not the Kernel version you want, use the following command to check out your desired kernel version: x.y

```
$ git checkout -b lf-x.y origin/lf-x.y
```


6.4 Configuring and building

Configuring and building the Linux kernel is controlled by the Kbuild subsystem. You can find documents describing the internal of Kbuild subsystem under the `Documentation/kbuild/` folder in the Linux source code tree if you are adding new files or new configure options to the kernel. Otherwise as a user of Linux kernel, you probably only want to know how to fine-tune the kernel configuration base on your system requirements and build new kernel image with updated configuration. These are done through `make` commands, this topic explains the `make` commands that you probably need to know as a kernel user.

6.4.1 Environment setting for cross-compiling

These following settings are applicable when you are configuring and building kernel on a different architecture from the target. For example, compiling an Armv8 kernel on an X86 computer. If you are compiling the kernel natively on a machine of the same architecture as the target, you should skip this section.

1. Install the cross compiler of your distribution.
2. Specify the target architecture in ARCH environment variable.
3. Specify the prefix (and path) of a cross compiler in CROSS_COMPILE environment variable

```
$ export CROSS_COMPILE=/path/to/dir/tool-chain-prefix-
```

Or, the prefix if the cross-compiler commands are already in the execution PATH.

```
$ export CROSS_COMPILE=tool-chain-prefix-
```

For example, the commands needed on Ubuntu Linux will be like:

- 64-bit Arm:

```
$ sudo apt-get install gcc-aarch64-linux-gnu
$ export CROSS_COMPILE=aarch64-linux-gnu-
$ export ARCH=arm64
```

- 32-bit Arm (Armv7 / 32-bit mode of Armv8):

```
$ sudo apt-get install gcc-arm-linux-gnueabi
$ export CROSS_COMPILE=arm-linux-gnueabi-
$ export ARCH=arm
```

For the shell environment variables exported above, you can also include them directly in each `make` command you use. For example `$ ARCH=arm64 CROSS_COMPILE=aarch64-linux-gnu- make {targets}`. Exporting them will save effort if you are using `make` in kernel frequently.

6.4.2 Configuring kernel

The current kernel configuration for a kernel source tree will be kept in a hidden file named `.config` at the top level of the kernel source code after you changed the configuration with any of the `make config` command variants. You can copy it directly from one kernel source tree to another with the same kernel version to duplicate the configuration exactly. Also, you can edit it with a text editor, in which you can see a list of `CONFIG_*` symbols corresponding to each of the kernel configure option.

The following targets from the Linux kernel Kbuild framework are used to load the default kernel configuration for Layerscape LDP:

- `defconfig/${PLATFORM}_defconfig`
Create the `.config` file by using the default config options of the architecture or platform defined in the `arch/${ARCH}/configs/` directory. This normally includes all the device drivers needed for the architecture or platform.
- `${FRAGMENT}.config`

Merge a configuration fragment that enables certain features into the .config file.

Specific command to load the default configuration of different platforms for Layerscape LDP will be:

- For Layerscape Armv8 platforms in 64bit mode:

```
$ make defconfig lsdk.config
```

- For Layerscape Armv7 platforms:

```
$ make multi_v7_defconfig multi_v7_lpae.config lsdk.config
```

- For Layerscape Armv8 platforms in 32bit mode:

```
$ make multi_v7_defconfig multi_v7_lpae.config multi_v8.config lsdk.config
```

To further fine-tune the configuration based on your system need, you can use the following make commands.

- `$ make menuconfig`

Choose configure options in text-based color menus, radio lists and dialogs. It is a good way to navigate through all the selectable kernel configure options in a well-organized human-readable hierarchy and you can get a description of every option when it is highlighted by selecting the <Help> button. In the device driver part of this User's Manual we also provided the path to the configure options needed for a feature to work in the menuconfig.

- `$ make ${FRAGMENT}.config`

You can also utilize this capability to enable options for a specific feature in your custom kernel configuration quickly without selecting each one of them in the menuconfig. In the device driver part of this User's Manual, we listed the `CONFIG_*` symbols needed by a specific feature/driver. Put these symbols with “=y” or “=m” depending on if you want these features/drivers to be built in or built as loadable kernel module into a `${FEATURE}.config` file under `arch/${ARCH}/configs/` directory. Run `$ make ${FEATURE}.config` command, it will enable all these listed kernel configure options together.

6.4.3 Building kernel

Building the kernel is simple.

- To build kernel images and device tree images.

```
$ make
```

- To build loadable kernel modules:

```
$ make modules
```

You can supply `-j <NUM>` option to the above make commands to spin `NUM` concurrent threads to reduce build time on multicore systems.

After a successful build:

- Compiled kernel images are in `arch/${ARCH}/boot/` folder.
- Compiled device trees (dtb files) are in `arch/${ARCH}/boot/dts` folder.
- Compiled kernel modules are spread out in driver folders. You can extract them to a specific folder (For example, `/folder/to/install`) by using command:

```
$ make modules_install INSTALL_MOD_PATH=/folder/to/install
```

6.4.4 Install new kernel and modules

The path or naming convention of kernel images and modules are different for different Linux distributions. The following instructions are based on the convention of Layerscape LDP.

Using bitbake scripts

- Checkout kernel branch to your customized development branch.

Force compile:

```
$ bitbake linux-qoriq -c compile -f
$ bitbake linux-qoriq
```

- Regenerate the bootpartition and rootfs (for commands below: \${ARCH} = arm32 | arm64)

```
$ bitbake linux-qoriq
```

Update the target filesystem directly

This can be more convenient if you are compiling the kernel on the target device locally or you can easily update the filesystem of target device remotely (For example, using scp, tftp, or so on).

- Copy your Image file to /boot folder on the target using cp if compiled locally; Use any available remote update approach if compiled remotely.
- Copy dtb files to /boot folder on the target using cp if compiled locally; Use any available remote update approach to do the same if compiled remotely.
- Update kernel modules.

Note: Kernel modules are required to be updated when you updated the kernel image

- If you compiled the kernel on the target device locally. Use the command below:

```
$ make modules_install
```

- If you compiled the kernel remotely. Do the following:

- Install the modules into a temporary folder (For example, /tmp/deploy/images).

```
$ make modules_install INSTALL_MOD_PATH=/tmp/deploy/images
```

- Transfer the lib/ directory from the temporary location above to the target device using any file transfer approach and put it in the path of the filesystem.

6.5 Device Drivers

6.5.1 Enhanced Direct Memory Access (eDMA)

6.5.1.1 Description

The SoC integrates NXP's Enhanced Direct Memory Access module. Slave device such as I2C or SAI can deploy the DMA functionality to accelerate the transfer and release the CPU from heavy load.

6.5.1.2 Kernel Configure Options

Tree View

Below are the configure options need to be set/unset while doing "make menuconfig" for kernel

Kernel Configure Tree View Options	Description
<pre>Device Drivers ---> [*] DMA Engine support ----> ----></pre>	DMA engine subsystem driver and eDMA driver support

Kernel Configure Tree View Options	Description
<pre><*> Freescale eDMA engine support</pre>	

Identifier

Below are the configure identifiers which are used in kernel source code and default configuration files.

Option	Values	Default Value	Description
CONFIG_FSL_EDMA	y/m/n	n	eDMA Driver

6.5.1.3 Device Tree Binding

Device Tree Node

Below is an example device tree node required by this feature. Note there may be differences among platforms.

```
edma0: edma@2c00000 {
    #dma-cells = <2>;
    compatible = "fsl,vf610-edma";
    reg = <0x0 0x2c00000 0x0 0x10000>,
        <0x0 0x2c10000 0x0 0x10000>,
        <0x0 0x2c20000 0x0 0x10000>;
    interrupts = <GIC_SPI 135 IRQ_TYPE_LEVEL_HIGH>,
        <GIC_SPI 135 IRQ_TYPE_LEVEL_HIGH>;
    interrupt-names = "edma-tx", "edma-err";
    dma-channels = <32>;
    big-endian;
    clock-names = "dmamux0", "dmamux1";
    clocks = <&platform_clk 1>,
        <&platform_clk 1>;
};
```

Device Tree Node Binding for Slave Device

Below is the device tree node binding for a slave device which deploys the eDMA functionality.

```
i2c0: i2c@2180000 {
    #address-cells = <1>;
    #size-cells = <0>;
    compatible = "fsl,vf610-i2c";
    reg = <0x0 0x2180000 0x0 0x10000>;
    interrupts = <GIC_SPI 88 IRQ_TYPE_LEVEL_HIGH>;
    clock-names = "i2c";
    clocks = <&platform_clk 1>;
    dmas = <&edma0 1 39>,
        <&edma0 1 38>;
    dma-names = "tx", "rx";
    status = "disabled";
};
```

6.5.1.4 Source Files

The following source files are related to this feature in Linux kernel.

Table 48. Source Files

Source File	Description
drivers/dma/fsl-edma.c	The eDMA driver file

6.5.1.5 Verification in Linux

1. Use the slave device which deploys the eDMA functionality to verify the eDMA driver, below is a verification with the I2C salve.

```

root@ls1021aqds:~# i2cdetect 0
WARNING! This program can confuse your I2C bus, cause data loss and worse!
I will probe file /dev/i2c-0.
I will probe address range 0x03-0x77.
Continue? [Y/n]
 0  1  2  3  4  5  6  7  8  9  a  b  c  d  e  f
00:  --  --  --  --  --  --  --  --  --  --  --  --  --  --  --  --
10:  --  --  --  --  --  --  --  --  --  --  --  --  --  --  --  --
20:  --  --  --  --  --  --  --  --  --  --  --  --  --  --  --  --
30:  --  --  --  --  --  --  --  --  --  --  --  --  --  --  --  --
40:  --  --  --  --  --  --  --  --  --  --  --  --  --  --  --  --
50:  --  --  --  --  --  --  --  --  --  --  --  --  --  --  --  --
60:  --  --  --  --  --  --  --  --  --  --  --  --  -- 69  --  --
70:  --  --  --  --  --  --  --  --  --  --  --  --  --  --  --  --
root@ls1021aqds:~# i2cdump 0 0x69 i
 0  1  2  3  4  5  6  7  8  9  a  b  c  d  e  f      0123456789abcdef
00: 05 07 ff ff 5d 55 10 55 11 05 1e 00 e8 03 b5 ff  ??..]U?U???..???
10: ff e8 03 95 00 00 00 00 aa fe 9a 00 00 00 00 78  .???.....???....x
20: 05 12 04 ff 00 7f 40 14 1d 60 3c 83 05 00 40 00  ???..?@??`<??.@.
30: fe 80 c6 29 00 00 00 7a 00 ff ff ff ff ff ff ff  ???)....z.....
40: 05 07 ff ff 5d 55 10 55 11 05 1e 00 e8 03 b5 ff  ??..]U?U???..???
50: ff e8 03 95 00 00 00 00 aa fe 9a 00 00 00 00 78  .???.....???....x
60: 05 12 04 ff 00 7f 40 14 1d 60 3c 83 05 00 40 00  ???..?@??`<??.@.
70: fe 80 c6 29 00 00 00 7a 00 ff ff ff ff ff ff ff  ???)....z.....
80: 07 ff ff 5d 55 10 55 11 05 1e 00 e8 03 b5 ff ff  ?..]U?U???..???..
90: e8 03 95 00 00 00 00 aa fe 9a 00 00 00 00 78 00  ???....???....x.
a0: 12 04 ff 00 7f 40 14 1d 60 3c 83 05 00 40 00 fe  ??..?@??`<??.@.?
b0: 80 c6 29 00 00 00 7a 00 ff ff ff ff ff ff ff ff  ??)....z.....
c0: 07 ff ff 5d 55 10 55 11 05 1e 00 e8 03 b5 ff ff  ?..]U?U???..???..
d0: e8 03 95 00 00 00 00 aa fe 9a 00 00 00 00 78 00  ???....???....x.
e0: 12 04 ff 00 7f 40 14 1d 60 3c 83 05 00 40 00 fe  ??..?@??`<??.@.?
f0: 80 c6 29 00 00 00 7a 00 ff ff ff ff ff ff ff ff  ??)....z.....
root@ls1021aqds:~# cat /proc/interrupts
          CPU0           CPU1
 29:             0             0          GIC 29  arch_timer
 30:          5563          5567          GIC 30  arch_timer
112:             260             0          GIC 112 fsl-lpuart
120:             32             0          GIC 120 2180000.i2c
121:             0             0          GIC 121 2190000.i2c
167:             8             0          GIC 167  eDMA
IPI0:             0             1  CPU wakeup interrupts
IPI1:             0             0  Timer broadcast interrupts
IPI2:          1388          1653  Rescheduling interrupts
IPI3:             0             0  Function call interrupts
IPI4:             2             4  Single function call interrupts
IPI5:             0             0  CPU stop interrupts
Err:             0
root@ls1021aqds:~#
    
```

6.5.2 CAAM Direct Memory Access (DMA)

The CAAM DMA module implements a DMA driver that uses the CAAM DMA controller to provide both SG and MEMCPY DMA capability to be used by the platform. It is based on the CAAM JR interface that must be enabled in the *kernel config* as a prerequisite for the CAAM DMA driver.

The driver is based on the DMA engine framework and it is located under the DMA Engine support category in the kernel config menu.

Note: *This feature/driver is supported for LS1012A.*

6.5.2.1 Kernel configure options

Tree overview

To enable the CAAM DMA module, set the following options for `make menuconfig`:

```

-- Cryptographic API --->
  [*] Hardware crypto devices --->
    <*> Freescale CAAM-Multicore driver backend
    <*> Freescale CAAM Job Ring driver backend
  Device Drivers --->
    <*> DMA Engine support --->
    <*> CAAM DMA engine support
    
```

Note: *Be aware that the CAAM DMA driver depends on the CAAM and CAAM JR drivers, which also have to be enabled.*

6.5.2.2 Identifier

The following configure identifier is used in kernel source code and default configuration files.

Option	Values	Default value	Description
CONFIG_CRYPTODEV_FSL_CAAM_DMA	y/m/n	n	CAAM DMA engine support

6.5.2.3 Device tree node

Below is an example device tree node required by this feature.

```

caam_dma {
    compatible = "fsl,sec-v5.4-dma";
};
    
```

6.5.2.4 Source files

The following source file is related to this feature in the Linux kernel.

Source File	Description
drivers/dma/caam_dma.c	The CAAM DMA driver

6.5.2.5 Verification in Linux

On a successful probing, the driver will print the following message in `dmesg`:

```
[ 1.964549] caam-dma caam-dma: caam dma support with 3 job rings
```

Additionally, you can also run the following commands:

```
root@ls1028ardb:~# ls -l /sys/class/dma
total 0
lrwxrwxrwx 1 root root 0 Jan 28 15:58 dma0chan0 -> ../../devices/platform/
soc/2c00000.edma/dma/dma0chan0
lrwxrwxrwx 1 root root 0 Jan 28 15:58 dma0chan1 -> ../../devices/platform/
soc/2c00000.edma/dma/dma0chan1
lrwxrwxrwx 1 root root 0 Jan 28 15:58 dma0chan10 -> ../../devices/platform/
soc/2c00000.edma/dma/dma0chan10
lrwxrwxrwx 1 root root 0 Jan 28 15:58 dma0chan11 -> ../../devices/platform/
soc/2c00000.edma/dma/dma0chan11
lrwxrwxrwx 1 root root 0 Jan 28 15:58 dma0chan12 -> ../../devices/platform/
soc/2c00000.edma/dma/dma0chan12
lrwxrwxrwx 1 root root 0 Jan 28 15:58 dma0chan13 -> ../../devices/platform/
soc/2c00000.edma/dma/dma0chan13
lrwxrwxrwx 1 root root 0 Jan 28 15:58 dma0chan14 -> ../../devices/platform/
soc/2c00000.edma/dma/dma0chan14
lrwxrwxrwx 1 root root 0 Jan 28 15:58 dma0chan15 -> ../../devices/platform/
soc/2c00000.edma/dma/dma0chan15
lrwxrwxrwx 1 root root 0 Jan 28 15:58 dma0chan16 -> ../../devices/platform/
soc/2c00000.edma/dma/dma0chan16
lrwxrwxrwx 1 root root 0 Jan 28 15:58 dma0chan17 -> ../../devices/platform/
soc/2c00000.edma/dma/dma0chan17
lrwxrwxrwx 1 root root 0 Jan 28 15:58 dma0chan18 -> ../../devices/platform/
soc/2c00000.edma/dma/dma0chan18
lrwxrwxrwx 1 root root 0 Jan 28 15:58 dma0chan19 -> ../../devices/platform/
soc/2c00000.edma/dma/dma0chan19
lrwxrwxrwx 1 root root 0 Jan 28 15:58 dma0chan2 -> ../../devices/platform/
soc/2c00000.edma/dma/dma0chan2
lrwxrwxrwx 1 root root 0 Jan 28 15:58 dma0chan20 -> ../../devices/platform/
soc/2c00000.edma/dma/dma0chan20
lrwxrwxrwx 1 root root 0 Jan 28 15:58 dma0chan21 -> ../../devices/platform/
soc/2c00000.edma/dma/dma0chan21
lrwxrwxrwx 1 root root 0 Jan 28 15:58 dma0chan22 -> ../../devices/platform/
soc/2c00000.edma/dma/dma0chan22
lrwxrwxrwx 1 root root 0 Jan 28 15:58 dma0chan23 -> ../../devices/platform/
soc/2c00000.edma/dma/dma0chan23
lrwxrwxrwx 1 root root 0 Jan 28 15:58 dma0chan24 -> ../../devices/platform/
soc/2c00000.edma/dma/dma0chan24
lrwxrwxrwx 1 root root 0 Jan 28 15:58 dma0chan25 -> ../../devices/platform/
soc/2c00000.edma/dma/dma0chan25
lrwxrwxrwx 1 root root 0 Jan 28 15:58 dma0chan26 -> ../../devices/platform/
soc/2c00000.edma/dma/dma0chan26
lrwxrwxrwx 1 root root 0 Jan 28 15:58 dma0chan27 -> ../../devices/platform/
soc/2c00000.edma/dma/dma0chan27
lrwxrwxrwx 1 root root 0 Jan 28 15:58 dma0chan28 -> ../../devices/platform/
soc/2c00000.edma/dma/dma0chan28
lrwxrwxrwx 1 root root 0 Jan 28 15:58 dma0chan29 -> ../../devices/platform/
soc/2c00000.edma/dma/dma0chan29
lrwxrwxrwx 1 root root 0 Jan 28 15:58 dma0chan3 -> ../../devices/platform/
soc/2c00000.edma/dma/dma0chan3
```

```
lrwxrwxrwx 1 root root 0 Jan 28 15:58 dma0chan30 -> ../../devices/platform/
soc/2c00000.edma/dma/dma0chan30
lrwxrwxrwx 1 root root 0 Jan 28 15:58 dma0chan31 -> ../../devices/platform/
soc/2c00000.edma/dma/dma0chan31
lrwxrwxrwx 1 root root 0 Jan 28 15:58 dma0chan4 -> ../../devices/platform/
soc/2c00000.edma/dma/dma0chan4
lrwxrwxrwx 1 root root 0 Jan 28 15:58 dma0chan5 -> ../../devices/platform/
soc/2c00000.edma/dma/dma0chan5
lrwxrwxrwx 1 root root 0 Jan 28 15:58 dma0chan6 -> ../../devices/platform/
soc/2c00000.edma/dma/dma0chan6
lrwxrwxrwx 1 root root 0 Jan 28 15:58 dma0chan7 -> ../../devices/platform/
soc/2c00000.edma/dma/dma0chan7
lrwxrwxrwx 1 root root 0 Jan 28 15:58 dma0chan8 -> ../../devices/platform/
soc/2c00000.edma/dma/dma0chan8
lrwxrwxrwx 1 root root 0 Jan 28 15:58 dma0chan9 -> ../../devices/platform/
soc/2c00000.edma/dma/dma0chan9
lrwxrwxrwx 1 root root 0 Jan 28 15:58 dma1chan0 -> ../../devices/platform/
soc/1700000.crypto/caam-dma/dma/dma1chan0
lrwxrwxrwx 1 root root 0 Jan 28 15:58 dma1chan1 -> ../../devices/platform/
soc/1700000.crypto/caam-dma/dma/dma1chan1
lrwxrwxrwx 1 root root 0 Jan 28 15:58 dma1chan2 -> ../../devices/platform/
soc/1700000.crypto/caam-dma/dma/dma1chan2
```

6.5.2.6 Component testing

To test both the SG and memcpy capability of the CAAM DMA driver use the `dmatest` module provided by the kernel.

Build `dmatest`

Build the `dmatest` utility as a module by running the command:

```
$ make menuconfig
```

Then select from the kernel menuconfig to build the `dmatest.ko` as a module:

```
Device Drivers --->
  <*> DMA Engine support --->
    <M> DMA Test client
```

Configure `dmatest`

Before testing insert the module:

```
$ insmod dmatest.ko
```

Configure the `dmatest`. There is a general configuration that applies for both the `sg` and `memcpy` functionality:

```
$ echo 1 > /sys/module/dmatest/parameters/max_channels
$ echo 2000 > /sys/module/dmatest/parameters/timeout
$ echo 0 > /sys/module/dmatest/parameters/noverify
$ echo 4 > /sys/module/dmatest/parameters/threads_per_chan
$ echo 0 > /sys/module/dmatest/parameters/dmatest
$ echo 1 > /sys/module/dmatest/parameters/iterations
$ echo 2000 > /sys/module/dmatest/parameters/test_buf_size
```

The above configuration is self-explanatory except a few:

If you set the 'noverify' parameter to 0 it will not perform check of the copied buffer at the end of each testing round. This should be used for performance testing. Set the 'noverify' parameter to 1 for functional testing.

Set the 'dmatest' parameter to 0 to test the memcpy functionality and to 1 to test the sg functionality.

Perform the test

To perform the test, simply run the command:

```
$ echo 1 > /sys/module/dmatest/parameters/run
```

Depending on the type of test performed (sg/memcpy) the output may vary. Here is an example of output obtained with the above parameters:

```
[ 72.113769] dmatest: Started 4 threads using dma0chan0
[ 72.105334] dmatest: dma0chan0-copy0: summary 1 tests, 0 failures 9009 iops
9009 KB/s (0)
[ 72.113649] dmatest: dma0chan0-copy1: summary 1 tests, 0 failures 119 iops
119 KB/s (0)
[ 72.114927] dmatest: dma0chan0-copy2: summary 1 tests, 0 failures 24390 iops
0 KB/s (0)
[ 72.115098] dmatest: dma0chan0-copy3: summary 1 tests, 0 failures 37037 iops
0 KB/s (0)
```

6.5.3 DCU Display Device Driver User Manual

6.5.3.1 Description

This manual describes how to use the Two Dimensional Animation and Compositing Engine (2D-ACE or DCU) and frame buffer on TWR-LS1021A board.

6.5.3.2 Module Loading

The DCU device driver supports kernel built-in and module.

6.5.3.3 U-Boot Configuration

Use 'ls1021atwr_lpuart_config' to build the U-Boot.

Runtime options.

Env Variable	Description	Sub Option		Option Description
bootargs	Kernel command-line argument passed to kernel	HDMI	console=ttyLP0,115200 hdmi	select LPUART0 as the system console
		LCD	console=ttyLP0,115200	

6.5.3.4 Kernel Configure Options

Tree View

Below are the Kernel Configure Tree View options need to be set/unset while doing "make menuconfig" for kernel and enable DCU/HDMI drivers and Linux Penguin Logo picture.

```
Device Drivers --->
  < > Multimedia support ----
```

```

Graphics support --->
  <*> Support for frame buffer devices --->
    <*> Si Image SII9022 DVI/HDMI Interface Chip
    <*> Freescale DCU framebuffer support
    ...
  [ ] Exynos Video driver support ----
  [ ] Backlight & LCD device support ----
    Console display driver support --->
      <*> Framebuffer Console support
      [*] Map the console to the primary display device
      [*] Framebuffer Console Rotation
  [*] Bootup logo --->
    --- Bootup logo
    [*] Standard black and white Linux logo
    [*] Standard 16-color Linux logo
    [*] Standard 224-color Linux logo
< > Sound card support ----
    
```

Identifier

Below are the configure identifiers which are used in kernel source code and default configuration files.

Special Configure needs to be enabled ("Y") for LS1021A. Find in below table with default value as "N"

Option	Values	Default Value	Description
CONFIG_FB_FSL_SII902X	y/m/n	y	Si Image SII9022 DVI/HDMI Interface Chip
CONFIG_FB_FSL_DCU	y/m/n	y	NXP DCU frame buffer support
CONFIG_LOGO	y/m/n	y	Bootup logo
CONFIG_LOGO_LINUX_MONO	y/m/n	y	Standard black and white Linux logo
CONFIG_LOGO_LINUX_VGA16	y/m/n	y	Standard 16-color Linux logo
CONFIG_LOGO_LINUX_CLUT224	y/m/n	y	Standard 224-color Linux logo
CONFIG_FRAMEBUFFER_CONSOLE	y/m/n	y	Frame buffer Console support

6.5.3.5 Device Tree Binding

Special Configure needs to be enabled ("Y") for LS1021A. Find in below table with default value as "N".

The default configuration display through LCD, as specified below.

arch/arm/boot/dts/ls1021a.dtsi

```

dcu0: dcu@2ce0000 {
    compatible = "fsl,vf610-dcu";
    reg = <0x0 0x2ce0000 0x0 0x10000>;
    interrupts = <GIC_SPI 172 IRQ_TYPE_LEVEL_HIGH>;
    clocks = <&platform_clk 0>;
    clock-names = "dcu";
    scfg-controller = <&scfg>;
    big-endian;
    status = "disabled";
};
    
```

arch/arm/boot/dts/ls1021a-twr.dts

```

&dcu0 {
    display = <&display>;
    status = "okay";
    display: display@0 {
        bits-per-pixel = <24>;
        display-timings {
            native-mode = <&timing0>;
            timing0: nl4827hc19 {
                clock-frequency = <10870000>;
                hactive = <480>;
                vactive = <272>;
                hback-porch = <2>;
                hfront-porch = <2>;
                vback-porch = <2>;
                vfront-porch = <2>;
                hsync-len = <41>;
                vsync-len = <4>;
                hsync-active = <1>;
                vsync-active = <1>;
            };
        };
    };
};

```

Ramdisk:

Use the 'fsl-image-x11-ls1021a(XXXXX)rootfs.ext2.gz.gz' ramdisk from each release image, or you can use the ramdisk image which has 'x11' label.

If you want to HDMI display, change the following configuration:

```

arch/arm/boot/dts/ls1021a-twr.dtscan
diff --git
a/arch/arm/boot/dts/ls1021a-twr.dts b/arch/arm/boot/dts/ls1021a-twr.dtsindex
cc351e3..928d376 100644---
a/arch/arm/boot/dts/ls1021a-twr.dts+++
b/arch/arm/boot/dts/ls1021a-twr.dts@@ -122,7 +122,7
@@
port {
    dcu_out: endpoint {
-        remote-endpoint = <&panel_in>;
+        remote-endpoint = <&sii9022a_out>;
    };
};
@@ -204,6 +204,18 @@
    VDDIO-supply = <&reg_3p3v>;
    clocks = <&sys_mclk>;
};
+
+ sii9022a: hdmi@39 {
+     compatible = "sil,sii9022";
+     reg = <0x39>;
+     interrupts = <GIC_SPI 167 IRQ_TYPE_EDGE_RISING>;
+
+     port@0 {
+         sii9022a_out: endpoint {
+             remote-endpoint = <&dcu_out>;

```

```
+     };
+     };
+     };
};
&ifc {
```

6.5.3.6 Source Files

The driver source is maintained in the Linux kernel source tree.

Source File	Description
drivers/video/fsl-dcu-fb.c	NXP DCU driver

6.5.3.7 Testing LCD/DHMI at U-Boot Level

1. Display with LCD:

```
=> setenv video-mode "fslfb:480x272-32@60,monitor=twr_lcd"
=> save
=> setenv stdout vga
```

2. Display with HDMI:

```
=> setenv video-mode "fslfb:640x480-32@60,monitor=hDMI"
=> save
=> setenv stdout vga
```

6.5.3.8 Testing LCD at Kernel Level

1. Configure and rebuild the kernel as configuration list above, let the DCU driver built into the Kernel Image.
2. Boot up Linux kernel, upon the kernel has been uncompressed, the TFT Panel will display the Linux Penguin Logo.
3. And then after the root filesystem has been mounted, and the Xwindows Desktop will be display.
4. Or also you can start the Xwindow using:

```
root@ls1021atwr:~# killall matchbox-window-manager root@ls1021atwr:~# xinit /
etc/init.d/xserver-nodm restart
```

5. Plug out and plug in the HDMI to test the hot plug.

6.5.3.9 Testing HDMI at Kernel Level

1. Configure and rebuild the kernel as configuration list above, let the HDMI and DCU drivers built into the Kernel Image.
2. Boot up Linux kernel, upon the kernel has been uncompressed, the TFT Panel will not display any picture correctly.
3. And then after the root filesystem has been mounted, and the Xwindows Desktop will be displayed on the HDMI Monitor.
4. Or also you can start the Xwindow using:

```
root@ls1021atwr:~# killall matchbox-window-manager root@ls1021atwr:~# xinit /
etc/init.d/xserver-nodm restart
Note: Unplug the TWR-LDC_RGB daughter board when testing the HDMI.
```

6.5.3.10 Known Bugs, Limitations, or Technical Issues

Unplug the SD card before testing the DCU/HDMI, or the system will hang.

6.5.4 Enhanced Secured Digital Host Controller (eSDHC)

6.5.4.1 Description

The enhanced secured host controller (eSDHC) provides an interface between the host system and the MMC/SD/SDIO cards.

The eSDHC device driver supports either kernel built-in or module.

6.5.4.2 Kernel Configure Options

Tree View

Kernel Configure Options Tree View	Description
<pre>Device Drivers ---> <*> MMC/SD/SDIO card support ---> <*> MMC block device driver (32) Number of minors per block device</pre>	Enable MMC block device driver support
<pre>*** MMC/SD/SDIO Host Controller Drivers *** <*> Secure Digital Host Controller Interface support <*> SDHCI platform and OF driver helper [*] SDHCI OF support for the Freescale eSDHC controller</pre>	Enable eSDHC driver support

6.5.4.3 Compile-time Configuration Options

Option	Values	Default Value	Description
CONFIG_MMC	y/n	y	Enable MMC bus protocol
CONFIG_MMC_BLOCK	y/n	y	Enable MMC block device driver support
CONFIG_MMC_BLOCK_MINORS	integer	32	Number of minors per block device
CONFIG_MMC_SDHCI	y/n	y	Enable generic SDHC interface
CONFIG_MMC_SDHCI_PLTFM	y/n	y	Enable common helper function support for SDHCI platform and OF drivers
CONFIG_MMC_SDHCI_OF_ESDHC	y/n	y	Enable eSDHC support

6.5.4.4 Source Files

The driver source is maintained in the Linux kernel source tree.

Source File	Description
drivers/mmc/host/sdhci.c	SDHCI driver support
drivers/mmc/host/sdhci-pltfm.c	SDHCI platform devices support driver
drivers/mmc/host/sdhci-of-esdhc.c	eSDHC driver

6.5.4.5 Device Tree Binding

Property	Type	Status	Description
compatible	String	Required	Should be 'fsl,esdhc'
reg	integer	Required	Register map

Example:

```
esdhc: esdhc@1560000 {
    compatible = "fsl,ls1046a-esdhc", "fsl,esdhc";
    reg = <0x0 0x1560000 0x0 0x10000>;
    interrupts = <GIC_SPI 62 IRQ_TYPE_LEVEL_HIGH>;
    clocks = <&clockgen 2 1>;
    voltage-ranges = <1800 1800 3300 3300>;
    sdhci,auto-cmd12;
    big-endian;
    bus-width = <4>;
};
```

6.5.4.6 Verification in U-Boot

```
=> mmcinfo
Device: FSL_SDHC
Manufacturer ID: 74
OEM: 4a45
Name: SDC
Tran Speed: 50000000
Rd Block Len: 512
SD version 3.0
High Capacity: Yes
Capacity: 7.5 GiB
Bus Width: 4-bit
Erase Group Size: 512 Bytes
=> mw.l 81000000 11111111 100
=> mw.l 82000000 22222222 100
=> cmp.l 81000000 82000000 100
word at 0x0000000081000000 (0x11111111) != word at 0x0000000082000000
(0x22222222)
Total of 0 word(s) were the same
=> mmc write 81000000 0 2
MMC write: dev # 0, block # 0, count 2 ... 2 blocks written: OK
=> mmc read 82000000 0 2
MMC read: dev # 0, block # 0, count 2 ... 2 blocks read: OK
=> cmp.l 81000000 82000000 100
Total of 256 word(s) were the same
=>
```

6.5.4.7 Verification in Linux

Initialization information

```
...
[ 3.913163] sdhci: Secure Digital Host Controller Interface driver
[ 3.919339] sdhci: Copyright(c) Pierre Ossman
[ 3.931467] sdhci-pltfm: SDHCI platform and OF driver helper
[ 3.938900] sdhci-esdhc 1560000.esdhc: No vmmc regulator found
[ 3.944728] sdhci-esdhc 1560000.esdhc: No vqmmc regulator found
[ 3.978676] mmc0: SDHCI controller on 1560000.esdhc [1560000.esdhc] using
ADMA 64-bit
[ 4.197784] mmc0: new high speed SDHC card at address b368
[ 4.203502] mmcblk0: mmc0:b368 SDC 7.45 GiB
...
```

Partition with fdisk

```
# fdisk /dev/mmcblk0
Welcome to fdisk (util-linux 2.26.2).
Changes will remain in memory only, until you decide to write them.
Be careful before using the write command.
Device does not contain a recognized partition table.
Created a new DOS disklabel with disk identifier 0x5a5f34b3.
Command (m for help): n
Partition type
   p   primary (0 primary, 0 extended, 4 free)
   e   extended (container for logical partitions)
Select (default p):
Using default response p.
Partition number (1-4, default 1):
First sector (2048-15628287, default 2048):
Last sector, +sectors or +size{K,M,G,T,P} (2048-15628287, default 15628287):
Created a new partition 1 of type 'Linux' and of size 7.5 GiB.
Command (m for help): w
The partition table has been altered.
Calling ioctl() [ 410.501876] mmcblk0: p1
to re-read partition table.
Syncing disks.
```

Format with mkfs

```
# mkfs.ext2 /dev/mmcblk0p1
```

Mount and r/w

```
# mount /dev/mmcblk0p1 /mnt/
# ls /mnt/
lost+found
# cp -r /lib /mnt/
# ls /mnt/
lib lost+found
```

6.5.4.8 Verification of eMMC RPMB

RPMB is Replay Protected Memory Block which is a hardware partition of eMMC. The verification uses mmc-utils which provides a "mmc" tool. With the "mmc" tool, we can operate on RPMB partition such as writing key, reading, writing and reading counter.

If mmc-utils is not installed, you can install it by running `sudo apt install mmc-utils` at the command line.

mmc tool help information

```
# mmc
...
mmc rpmb write-key <rpmb device> <key file>
  Program authentication key which is 32 bytes length and stored
  in the specified file. Also you can specify '-' instead of
  key file path to read the key from stdin.
  NOTE! This is a one-time programmable (unreversible) change.
  Example:
  $ echo -n AAAABBBBCCCCDDDDDEEEEEFFFFGGGGHHHH | \
    mmc rpmb write-key /dev/mmcblk0rpmb -
mmc rpmb read-counter <rpmb device>
  Counter value for the <rpmb device> will be read to stdout.
  mmc rpmb read-block <rpmb device> <address> <blocks count> <output file> [key
  file]
  Blocks of 256 bytes will be read from <rpmb device> to output
  file or stdout if '-' is specified. If key is specified - read
  data will be verified. Instead of regular path you can specify
  '-' to read key from stdin.
  Example:
  $ echo -n AAAABBBBCCCCDDDDDEEEEEFFFFGGGGHHHH | \
    mmc rpmb read-block /dev/mmcblk0rpmb 0x02 2 /tmp/block -
  or read two blocks without verification
  $ mmc rpmb read-block /dev/mmcblk0rpmb 0x02 2 /tmp/block
mmc rpmb write-block <rpmb device> <address> <256 byte data file> <key file>
  Block of 256 bytes will be written from data file to
  <rpmb device>. Also you can specify '-' instead of key
  file path or data file to read the data from stdin.
  Example:
  $ (awk 'BEGIN {while (c++<256) printf "a"}' | \
    echo -n AAAABBBBCCCCDDDDDEEEEEFFFFGGGGHHHH) | \
    mmc rpmb write-block /dev/mmcblk0rpmb 0x02 - -
...

```

RPMB operations

```
# mmc rpmb read-counter /dev/mmcblk1rpmb
RPMB operation failed, retcode 0x0007
# echo -n AAAABBBBCCCCDDDDDEEEEEFFFFGGGGHHHH | mmc rpmb write-key /dev/mmcblk1rpmb -
# mmc rpmb read-counter /dev/mmcblk1rpmb
Counter value: 0x00000000
# echo -n AAAABBBBCCCCDDDDDEEEEEFFFFGGGGHHHH | mmc rpmb read-block /dev/mmcblk1rpmb 0x02 2 /tmp/block -
# cat /tmp/block
#
# awk 'BEGIN {while (c++<256) printf "a"}' > ./data
# ls -lh data
-rw-r--r-- 1 root root 256 May 7 10:59 data
# echo -n AAAABBBBCCCCDDDDDEEEEEFFFFGGGGHHHH | mmc rpmb write-block /dev/mmcblk1rpmb 0x02 ./data -
# echo -n AAAABBBBCCCCDDDDDEEEEEFFFFGGGGHHHH | mmc rpmb read-block /dev/mmcblk1rpmb 0x02 2 /tmp/block -
# cat /tmp/block
aaaaaaaaaaaaaaaaaaaaaaaaaaaaaaaaaaaaaaaaaaaaaaaaaaaaaaaaaaaaaaaaaaaaaaaaaaaaaaaaaaaaaaaaaaaaaaaaaaaaaaaaaaaaaaaa
aaaaaaaaaaaaaaaaaaaaaaaaaaaaaaaaaaaaaaaaaaaaaaaaaaaaaaaaaaaaaaaaaaaaaaaaaaaaaaaaaaaaaaaaaaaaaaaaaaaaaaaaaaaaaaaa
aaaaaaaaaaaaaaaaaaaaaaaaaaaaaaaaaaaaaaaaaaaaaaaaaaaaaaaaaaaaaaaaaaaaaaaaaaaaaaaaaaaaaaaaaaaaaaaaaaaaaaaaaaaaaaaa
# echo -n AAAABBBBCCCCDDDDDEEEEEFFFFGGGGHHHK | mmc rpmb read-block /dev/mmcblk1rpmb 0x02 2 /tmp/block -
RPMB MAC mismatch
# mmc rpmb read-counter /dev/mmcblk1rpmb
Counter value: 0x00000001

```


6.5.4.9 Known Bugs, Limitations, or Technical Issues

1. Call trace of more than 120 seconds task blocking when running iotzone performance test. This is not issue and use below command to disable the warning.

```
echo 0 > /proc/sys/kernel/hung_task_timeout_secs
```

2. Layerscape boards could not provide a power cycle to SD card but according to SD specification, only a power cycle could reset the SD card working on UHS-I speed mode. When the card is on UHS-I speed mode, this hardware problem may cause unexpected result after board reset. The workaround is using power off/on instead of reset when using SD UHS-I card.
3. Transcend 8G class 10 SDHC card has some compatibility issue. It is observed it could not work on 50 MHz high-speed mode on LS2 boards, but other brand SD cards (Sandisk, Kingston, Sony ...) worked fine. Reducing SD clock frequency could also resolve the issue. The workaround is using other kind SD cards instead.
4. After sleep of LS1046ARDB, the card will get below interrupt timeout issue. This is hardware issue. CMD18 (multiple blocks read) has hardware interrupt timeout issue.

```
mmc0: Timeout waiting for hardware interrupt.
```

5. Linux MMC stack does not have SD UHS-II support currently. It could not handle SD UHS-II card well. If UHS-I support is enabled in eSDHC dts node, the driver may make SD UHS-II card enter 1.8v mode. Only a power cycle could reset the card, so use power off/on instead of reset for SD UHS-II card if UHS-I support is enabled in eSDHC dts node.
6. For LS1012ARDB RevD and later versions, I2C reading for DIP switch setting is not reliable so U-Boot could not enable/disable SDHC2 automatically. If SDHC2 is used, "esdhc1" should be set in U-Boot hwconfig environment to enable it manually.
7. On LX2160A eSDHC1 for SD card, when eSDHC operates at 3.3 V, damage can accumulate in an internal level shifter at a higher than expected rate. The faster the interface runs, the more damage accumulates. The recommended hardware workaround is to use an onboard level shifter that is 1.8 V on SoC side and 3.3 V on SD card side. For current LX2160ARDB boards without hardware workaround, below U-Boot option could be enabled that ensures 1.8 V IO voltage and disables eSDHC if no card.

```
CONFIG_FSL_ESDHC_33V_IO_RELIABILITY_WORKAROUND
```

This option assumes no hotplug, and U-Boot has to make all the way to Linux to use 1.8 V UHS-I speed mode if has card. If user does not want the workaround, user can choose not to select it, by running eSDHC in unsafe mode.

6.5.5 IEEE 1588/802.1AS

6.5.5.1 Description

NXP's QorIQ platform provides hardware assist for 1588 compliant time stamping with the 1588 timer module. The software components required to run IEEE 1588/802.1AS protocol utilizing the hardware feature are listed below:

1. Linux PTP Hardware Clock (PHC) driver
2. Linux Ethernet controller driver with hardware timestamping support
3. A software stack application for IEEE 1588/802.1AS

6.5.5.2 Kernel configure options

Tree view

1. eTSEC

Kernel configure tree view options	Description
<pre>Device Drivers ---> PTP clock support ---> <*> Freescale QorIQ 1588 timer as PTP clock</pre>	QorIQ PTP clock driver
<pre>Device Drivers ---> [*] Network device support ---> [*] Ethernet driver support ---> [*] Freescale devices <*> Gianfar Ethernet</pre>	eTSEC Ethernet driver

2. DPAA SDK

Kernel configure tree view options	Description
<pre>Device Drivers ---> PTP clock support ---> <*> Freescale QorIQ 1588 timer as PTP clock</pre>	QorIQ PTP clock driver
<pre>Device Drivers ---> [*] Network device support ---> [*] Ethernet driver support ---> [*] Freescale devices <*> DPAA Ethernet ---> [*] Linux compliant timestamping</pre>	DPAA SDK Ethernet driver and HW timestamping support

3. DPAA upstream driver

Kernel configure tree view options	Description
<pre>Device Drivers ---> PTP clock support ---> <*> Freescale QorIQ 1588 timer as PTP clock</pre>	QorIQ PTP clock driver
<pre>Device Drivers ---> [*] Network device support ---> [*] Ethernet driver support ---> [*] Freescale devices <*> DPAA Ethernet ---></pre>	DPAA upstream version Ethernet driver

4. DPAA2

Kernel configure tree view options	Description
<pre>Device Drivers ---> PTP clock support ---> <*> Freescale QorIQ 1588 timer as PTP clock</pre>	QorIQ PTP clock driver
<pre>Device Drivers ---></pre>	DPAA2 Ethernet driver and PTP clock driver

Kernel configure tree view options	Description
<pre>[*] Network device support ---> [*] Ethernet driver support ---> [*] Freescale devices <*> Freescale DPAA2 Ethernet <*> Freescale DPAA2 PTP clock</pre>	

5. ENETC

Kernel configure tree view options	Description
<pre>Device Drivers ---> PTP clock support ---> <*> Freescale QorIQ 1588 timer as PTP clock</pre>	QorIQ PTP clock driver
<pre>Device Drivers ---> [*] Network device support ---> [*] Ethernet driver support ---> [*] Freescale devices <*> ENETC PF driver <*> ENETC PTP clock driver</pre>	ENETC Ethernet driver and PTP clock driver

6. Felix switch

Kernel configure tree view options	Description
<pre>Device Drivers ---> [*] Network device support ---> Distributed Switch Architecture drivers ---> <*> Ocelot / Felix Ethernet switch support</pre>	Felix switch driver

Compile-time configuration options

1. eTSEC

Option	Values	Default Value	Description
CONFIG_GIANFAR	y/n/m	y	eTSEC Ethernet driver
CONFIG_PTP_1588_CLOCK_QORIQ	y/n/m	y	QorIQ PTP clock driver

2. DPAA SDK

Option	Values	Default Value	Description
CONFIG_FSL_SDK_DPAA_ETH	y/n/m	y	DPAA SDK Ethernet driver
CONFIG_FSL_DPAA_TS	y/n	n	DPAA HW timestamping support
CONFIG_PTP_1588_CLOCK_QORIQ	y/n/m	y	QorIQ PTP clock driver

3. DPAA upstream driver

Option	Values	Default Value	Description
CONFIG_FSL_DPAA_ETH	y/n/m	n	DPAA upstream version Ethernet driver
CONFIG_PTP_1588_CLOCK_QORIQ	y/n/m	y	QorIQ PTP clock driver

4. DPAA2

Option	Values	Default Value	Description
CONFIG_FSL_DPAA2_ETH	y/n/m	y	DPAA2 Ethernet driver
CONFIG_FSL_DPAA2_PTP_CLOCK	y/n/m	y	DPAA2 PTP clock driver
CONFIG_PTP_1588_CLOCK_QORIQ	y/n/m	y	QorIQ PTP clock driver

5. ENETC

Option	Values	Default value	Description
CONFIG_FSL_ENETC	y/n/m	y	ENETC Ethernet driver
CONFIG_FSL_ENETC_PTP_CLOCK	y/n/m	y	ENETC PTP clock driver
CONFIG_PTP_1588_CLOCK_QORIQ	y/n/m	y	QorIQ PTP clock driver

6. Felix switch

Option	Values	Default value	Description
CONFIG_NET_DSA_MSCC_FELIX	y/n/m	y	Felix switch driver

6.5.5.3 Source files

The driver source is maintained in the Linux kernel source tree.

1. eTSEC

Source File	Description
drivers/net/ethernet/freescale/gianfar.c	eTSEC Ethernet driver
drivers/ptp/ptp_qorIQ.c	QorIQ PTP clock driver

2. DPAA SDK

Source File	Description
drivers/net/ethernet/freescale/sdk_dpaa/dpaa_eth.c	DPAA SDK Ethernet driver
drivers/ptp/ptp_qorIQ.c	QorIQ PTP clock driver

3. DPAA upstream driver

Source File	Description
drivers/net/ethernet/freescale/dpaa/dpaa_eth.c	DPAA upstream version Ethernet driver
drivers/ptp/ptp_qorIQ.c	QorIQ PTP clock driver

4. DPAA2

Source File	Description
drivers/net/ethernet/freescale/dpaa2/dpaa2-eth.c	DPAA2 Ethernet driver
drivers/net/ethernet/freescale/dpaa2/dpaa2-ptp.c	DPAA2 PTP clock driver
drivers/ptp/ptp_qorIQ.c	QorIQ PTP clock driver

5. ENETC

Source file	Description
drivers/net/ethernet/freescale/enetc/enetc.c	ENETC Ethernet driver
drivers/net/ethernet/freescale/enetc/enetc_ptp.c	ENETC PTP clock driver
drivers/ptp/ptp_qorIQ.c	QorIQ PTP clock driver

6. Felix switch

Source file	Description
drivers/net/dsa/ocelot/felix.c	Felix switch driver

6.5.5.4 Device tree binding

1. eTSEC/DPAA SDK/DPAA2/ENETC

Property	Type	Status	Description
compatible	String	Required	"fsl,etsec-ptp", "fsl,fman-ptp-timer", "fsl,dpaa2-ptp" or "fsl,enetc-ptp"
reg	Integer	Required	Register map

2. Felix switch
NA.

6.5.5.5 Verification

See "QorIQ networking technologies" -> "IEEE 1588/802.1AS" section.

6.5.6 Integrated Flash Controller (IFC)

6.5.6.1 Integrated Flash Controller NOR Flash User Manual

6.5.6.1.1 Description

NXP's Integrated Flash Controller can be used to connect various types of flashes, For example NOR/NAND on board for boot functionality as well as data storage.

6.5.6.1.2 U-Boot Configuration

Compile-time options

Below are major U-Boot configuration options related to this feature defined in platform-specific config files under include/configs/ directory.

Option Identifier	Description
CONFIG_FSL_IFC	Enable IFC support
CONFIG_FLASH_CFI_DRIVER CONFIG_SYS_FLASH_CFI CONFIG_SYS_FLASH_EMPTY_INFO	Enable CFI Driver for NOR Flash devices

6.5.6.1.3 Source Files

The following source files are related to this feature in U-Boot.

Source File	Description
./drivers/misc/fsl_ifc.c	Set up the different chip select parameters from board header file
drivers/mtd/cfi_flash.c	CFI driver support for NOR flash devices

6.5.6.1.4 Kernel Configure Options

Tree View

Below are the configure options need to be set/unset while doing "make menuconfig" for kernel

Kernel Configure Tree View Options	Description
<pre> Device Drivers ---> <*> Memory Technology Device (MTD) support ---> [*] MTD partitioning support [*] Command line partition table parsing <*> Flash partition map based on OF description <*> Direct char device access to MTD devices *- Common interface to block layer for MTD 'translation layers' <*> Caching block device access to MTD devices < > FTL (Flash Translation Layer) support RAM/ROM/Flash chip drivers ---> <*> Detect flash chips by Common Flash Interface (CFI) probe <*> Support for Intel/Sharp flash chips <*> Support for AMD/Fujitsu/ Spansion flash chips </pre>	<p>These options enable CFI support for NOR Flash under MTD subsystem and Integrated Flash Controller support on Linux</p>

Kernel Configure Tree View Options	Description
<pre> Mapping drivers for chip access --- > <*> Flash device in physical memory map based on OF description </pre>	
<pre> File systems ---> [*] Miscellaneous filesystems ---> <*> Journalling Flash File System v2 (JFFS2) support </pre>	This option enables JFFS2 file system support for MTD Devices

Identifier

Below are the configure identifiers which are used in kernel source code and default configuration files. Special Configure needs to be enabled("Y") for LS1021. Find in below table with default value as "N"

Option	Values	Default Value	Description
CONFIG_FSL_IFC	Y/N	Y	Integrated Flash Controller support
CONFIG_MTD	Y/N	Y	Memory Technology Device (MTD) support
CONFIG_MTD_PARTITIONS	Y/N	Y	MTD partitioning support
CONFIG_MTD_CMDLINE_PARTS	Y/N	Y	Allow generic configuration of the MTD partition tables via the kernel command line.
CONFIG_MTD_OF_PARTS	Y/N	Y	This provides a partition parsing function which derives the partition map from the children of the flash nodes described in Documentation/powerpc/booting-without-of.txt
CONFIG_MTD_CHAR	Y/N	Y	Direct char device access to MTD devices
CONFIG_MTD_BLOCK	Y/N	Y	Caching block device access to MTD devices
CONFIG_MTD_CFI	Y/N	Y	Detect flash chips by Common Flash Interface (CFI) probe
CONFIG_MTD_GEN_PROBE	Y/N	Y	NA
CONFIG_MTD_MAP_BANK_WIDTH_1	Y/N	Y	Support 8-bit bus width
CONFIG_MTD_MAP_BANK_WIDTH_2	Y/N	Y	Support 16-bit bus width
CONFIG_MTD_MAP_BANK_WIDTH_4	Y/N	Y	Support 32-bit bus width
CONFIG_MTD_PHYSMAP_OF	Y/N	Y	Flash device in physical memory map based on OF description

Option	Values	Default Value	Description
CONFIG_FTL	Y/N	N	FTL (Flash Translation Layer) support
CONFIG_MTD_CFI_INTELEXT	Y/N	Y	Support for Intel/Sharp flash chips
CONFIG_MTD_CFI_AMDSTD	Y/N	Y	Support for AMD/Fujitsu/Spansion flash chips

6.5.6.1.5 Device Tree Binding

Documentation/devicetree/bindings/powerpc/fsl/ifc.txt

Documentation/devicetree/bindings/memory-controllers/fsl/ifc.txt

Flash partitions are specified by platform device tree.

6.5.6.1.6 Source Files

The driver source is maintained in the Linux kernel source tree.

Source File	Description
drivers/memory/fsl_ifc.c	Integrated Flash Controller driver to handle error interrupts
drivers/mtd/mtdpart.c	Simple MTD partitioning layer
drivers/mtd/mtdblock.c	Direct MTD block device access
drivers/mtd/mtdchar.c	Character-device access to raw MTD devices.
drivers/mtd/ofpart.c	Flash partitions described by the OF (or flattened) device tree
drivers/mtd/ftl.c	FTL (Flash Translation Layer) support
drivers/mtd/chips/cfi_probe.c	Common Flash Interface probe
drivers/mtd/chips/cfi_util.c	Common Flash Interface support
drivers/mtd/chips/cfi_cmdset_0001.c	Support for Intel/Sharp flash chips
drivers/mtd/chips/cfi_cmdset_0002.c	Support for AMD/Fujitsu/Spansion flash chips

6.5.6.1.7 Verification in U-Boot

Test the Read/Write/Erase functionality of NOR Flash

1. Boot the U-Boot with above config options to get NOR Flash access enabled. Check this in boot log, `FLASH: * MiB` where * is the size of NOR Flash
2. Erase NOR Flash
3. Make test pattern on memory, For example DDR
4. Write test pattern on NOR Flash
5. Read the test pattern from NOR Flash to memory, for example DDR
6. Compare the test pattern data to verify functionality.

Test Log:

Test log with initial U-Boot log removed

```

--

```



```

--
FLASH: 128 MiB
--
--
/* u-boot prompt */
=> mw.b 80000000 0xa5 10000
=> md 80000000
80000000: a5a5a5a5 a5a5a5a5 a5a5a5a5 a5a5a5a5 .....
80000010: a5a5a5a5 a5a5a5a5 a5a5a5a5 a5a5a5a5 .....
80000020: a5a5a5a5 a5a5a5a5 a5a5a5a5 a5a5a5a5 .....
80000030: a5a5a5a5 a5a5a5a5 a5a5a5a5 a5a5a5a5 .....
=> protect off all
Un-Protect Flash Bank # 1
=> erase 0x58410000 +0x10000
. done
Erased 1 sectors
=> cp.b 80000000 0x58410000 10000
Copy to Flash... 9....8....7....6....5....4....3....2....1....done
=> cmp.b 80000000 0x58410000 10000
Total of 65536 bytes were the same
=>

```

6.5.6.1.8 Verification in Linux

To cross-check whether IFC NOR driver has been configured in the kernel or not, see the kernel boot log with following entries. Note mtd partition number can be changed depending upon device tree.

```

[ 2.368207] 60000000.nor: Found 1 x16 devices at 0x0 in 16-bit bank.
Manufacturer ID 0x000001 Chip
ID 0x002801
[ 2.378219] Amd/Fujitsu Extended Query Table at 0x0040
[ 2.383374] Amd/Fujitsu Extended Query version 1.3.
[ 2.388427] number of CFI chips: 1
[ 2.391835] 8 cmdlinepart partitions found on MTD device 60000000.nor
[ 2.398277] Creating 8 MTD partitions on "60000000.nor":
[ 2.403591] 0x000000000000-0x000000100000 : "nor_bank0_rcw"
[ 2.409553] 0x000000100000-0x000000100000 : "nor_bank0_uboot"
[ 2.415653] 0x000000100000-0x000000200000 : "nor_bank0_kernel"
[ 2.421839] 0x000000200000-0x000000400000 : "nor_bank0_rootfs"
[ 2.428027] 0x000000400000-0x000000410000 : "nor_bank4_rcw"
[ 2.433948] 0x000000410000-0x000000500000 : "nor_bank4_uboot"
[ 2.440043] 0x000000500000-0x000000600000 : "nor_bank4_kernel"
[ 2.446228] 0x000000600000-0x000000800000 : "nor_bank4_rootfs"

```

Note: NOR address and number of partitions will vary from SoC to SoC supported in Layerscape LDP.

To verify NOR flash device accesses, see the following test:

```

[root@ root]# cat /proc/mtd dev: size erasesize name mtd0: 00100000 00020000
"nor_bank0_rcw" mtd1: 00f00000 00020000 "nor_bank0_uboot" mtd2: 01000000
00020000 "nor_bank0_kernel" mtd3: 02000000 00020000 "nor_bank0_rootfs" mtd4:
00100000 00020000 "nor_bank4_rcw" mtd5: 00f00000 00020000 "nor_bank4_uboot"
mtd6: 01000000 00020000 "nor_bank4_kernel" mtd7: 02000000 00020000
"nor_bank4_rootfs" mtd8: 01000000 00040000 "nand_uboot" mtd9: 01000000 00040000
"nand_kernel" mtd10: 02000000 00040000 "nand_free" mtd11: 00600000 00001000
"uboot" mtd12: 00a00000 00001000 "free" mtd13: 00080000 00001000 "spi0.1"
mtd14: 00800000 00001000 "spi0.2" [root@ root]# flash_eraseall -j /dev/mtd2
Erasing 128 Kibyte @ 1400000 -- 100% complete. Cleanmarker written at 13e0000.
[root@P1010RDB root]# mount -t jffs2 /dev/mtdblock2 /mnt/

```

```
JFFS2 notice: (1202) jffs2_build_xattr_subsystem: complete building xattr
subsystem, 0 of xdatum (0 unchecked, 0 orphan) and 0 of xref (0 dead, 0 orphan)
found.
[root@ root]# cd /mnt/
[root@ mnt]# ls -l
[root@ mnt]# touch flash_file
[root@ root]# umount mnt
//ls must list local_file
[root@ root]# ls mnt
//mount again
[root@ root]# mount -t jffs2 /dev/mtdblock2 /mnt/
JFFS2 notice: (1219) jffs2_build_xattr_subsystem: complete building xattr
subsystem, 0 of xdatum (0 unchecked, 0 orphan) and 0 of xref (0 dead, 0 orphan)
found.
//use ls ; it must show the created file
[root@ root]# ls /mnt/
flash_file
//unmount
[root@ root]# umount /mnt/
```

6.5.6.2 Integrated Flash Controller NAND Flash User Manual

6.5.6.2.1 Description

NXP’s Integrated Flash Controller can be used to connect various types of flashes (For example NOR/NAND) on board for boot functionality as well as data storage.

6.5.6.2.2 U-Boot Configuration

Compile-time options

Below are major U-Boot configuration options related to this feature defined in platform-specific config files under include/configs/ directory.

Option Identifier	Description
CONFIG_FSL_IFC	Enable IFC support
CONFIG_NAND_FSL_IFC	Enable NAND Machine support on IFC
CONFIG_SYS_MAX_NAND_DEVICE	No of NAND Flash chips on platform
CONFIG_MTD_NAND_VERIFY_WRITE	Verify NAND flash writes
CONFIG_CMD_NAND	Enable various commands support for NAND Flash
CONFIG_SYS_NAND_BLOCK_SIZE	Block size of the NAND flash connected on Platform

6.5.6.2.3 Source Files

The following source files are related to this feature in U-Boot.

Source File	Description
./drivers/misc/fsl_ifc.c	Set up the different chip select parameters from board header file
drivers/mtd/nand/fsl_ifc_nand.c	IFC nand flash machine driver file

6.5.6.2.4 Kernel Configure Options

Tree View

Below are the configure options need to be set/unset while doing "make menuconfig" for kernel

Kernel Configure Tree View Options	Description
<pre> Device Drivers ---> <*> Memory Technology Device (MTD) support ---> [*] MTD partitioning support [*] Command line partition table parsing= <*> Flash partition map based on OF description <*> Direct char device access to MTD devices *- Common interface to block layer for MTD 'translation layers' <*> Caching block device access to MTD devices <*> NAND Device Support ---> <*> NAND support for Freescale IFC controller Enable UBIFS filesystem in linux configuration Device Drivers ---> <*> Memory Technology Device (MTD) support ---> UBI - Unsorted block images ---> <*> Enable UBI (4096) UBI wear-leveling threshold (1) Percentage of reserved eraseblocks for bad eraseblocks handling < > MTD devices emulation driver (gluebi) *** UBI debugging options *** [] UBI debugging File systems ---> [*] Miscellaneous filesystems ---> <*> UBIFS file system support [*] Extended attributes support [] Advanced compression options </pre>	<p>These options enable Integrated Flash Controller NAND support to work with MTD subsystem available on Linux. Also UBIFS support needs to be enabled.</p>

Kernel Configure Tree View Options	Description
<input type="checkbox"/> Enable debugging	

Identifier

Below are the configure identifiers which are used in kernel source code and default configuration files.

Option	Values	Default Value	Description
CONFIG_FSL_IFC	y/n	y	Enable Integrated Flash Controller support
CONFIG_MTD_NAND_FSL_IFC	y/n	Y	Enable Integrated Flash Controller NAND Machine support
CONFIG_MTD_PARTITIONS	y/n	Y	MTD partitioning support
CONFIG_MTD_CMDLINE_PARTS	y/n	Y	Allow generic configuration of the MTD partition tables via the kernel command line.
CONFIG_MTD_OF_PARTS	y/n	Y	This provides a partition parsing function which derives the partition map from the children of the flash nodes described in Documentation/powerpc/booting-without-of.txt
CONFIG_MTD_CHAR	y/n	Y	Direct char device access to MTD devices
CONFIG_MTD_BLOCK	y/n	Y	Caching block device access to MTD devices
CONFIG_MTD_GEN_PROBE	y/n	Y	NA
CONFIG_MTD_PHYSMAP_OF	y/n	Y	Flash device in physical memory map based on OF description

6.5.6.2.5 Device Tree Binding

Documentation/devicetree/bindings/memory-controllers/fsl/ifc.txt

Flash partitions are specified by platform device tree.

6.5.6.2.6 Source Files

The driver source is maintained in the Linux kernel source tree.

Source File	Description
drivers/memory/fsl_ifc.c	Integrated Flash Controller driver to handle error interrupts
drivers/mtd/nand/fsl_ifc_nand.c	Integrated Flash Controller NAND Machine driver
include/linux/fsl_ifc.h	IFC Memory Mapped Registers

6.5.6.2.7 Verification in U-Boot

Test the Read/Write/Erase functionality of NAND Flash

1. Boot the U-Boot with above config options to get NAND Flash driver enabled. Check this in boot log,

```
NAND: * MiB
Where * is NAND flash size
```

2. Erase NAND Flash
3. Make test pattern on memory, For example DDR
4. Write test pattern on NAND Flash
5. Read the test pattern from NAND Flash to memory, for example DDR
6. Compare the test pattern data to verify functionality.

Test Log:

```
...
...
NAND: 512 MiB
...
...
/* U-boot prompt */
=> nand erase.chip
NAND erase.chip: device 0 whole chip
Bad block table found at page 65504, version 0x01 Bad block table found at page
65472, version 0x01
Skipping bad block at 0x01ff0000
Skipping bad block at 0x01ff4000
Skipping bad block at 0x01ff8000
Skipping bad block at 0x01ffc000
OK
=> mw.b 80000000 0xa5 100000
=> md 80000000
80000000: a5a5a5a5 a5a5a5a5 a5a5a5a5 a5a5a5a5 .....
80000010: a5a5a5a5 a5a5a5a5 a5a5a5a5 a5a5a5a5 .....
80000020: a5a5a5a5 a5a5a5a5 a5a5a5a5 a5a5a5a5 .....
80000030: a5a5a5a5 a5a5a5a5 a5a5a5a5 a5a5a5a5 .....
=> nand write 80000000 0 100000
NAND write: device 0 offset 0x0, size 0x100000
1048576 bytes written: OK
=> nand read 90000000 0 100000
NAND read: device 0 offset 0x0, size 0x100000
1048576 bytes read: OK
=> cmp.b 80000000 90000000 100000
Total of 1048576 bytes were the same
```

6.5.6.2.8 Verification in Linux

To cross-check whether IFC NAND driver has been configured in the kernel or not, check the following. Note mtd partition numbers can be changed depending upon board device tree

```
[root@(none) root]# cat /proc/mtd
dev: size erasesize name
mtd0: 00100000 00020000 "nor_bank0_rcw"
mtd1: 00f00000 00020000 "nor_bank0_uboot"
mtd2: 01000000 00020000 "nor_bank0_kernel"
mtd3: 02000000 00020000 "nor_bank0_rootfs"
mtd4: 01000000 00040000 "nand_uboot"
mtd5: 01000000 00040000 "nand_kernel"
mtd6: 02000000 00040000 "nand_free"
[root@(none) root]# flash_eraseall /dev/mtd4 Erasing 16 Kibyte @ f00000 -- 100%
complete.
[root@(none) root]# ubiattach /dev/ubi_ctrl -m 4
```

```
UBI: attaching mtd4 to ubi0
UBI: physical eraseblock size: 16384 bytes (16 KiB)
UBI: logical eraseblock size: 15360 bytes
UBI: smallest flash I/O unit: 512
UBI: VID header offset: 512 (aligned 512)
UBI: data offset: 1024
UBI: empty MTD device detected
UBI: create volume table (copy #1)
UBI: create volume table (copy #2)
UBI: attached mtd4 to ubi0
UBI: MTD device name: "NAND Root File System"
UBI: MTD device size: 15 MiB
UBI: number of good PEBs: 960
UBI: number of bad PEBs: 0
UBI: max. allowed volumes: 89
UBI: wear-leveling threshold: 4096
UBI: number of internal volumes: 1
UBI: number of user volumes: 0
UBI: available PEBs: 947
UBI: total number of reserved PEBs: 13
UBI: number of PEBs reserved for bad PEB handling: 9
UBI: max/mean erase counter: 0/0
UBI: image sequence number: 0
UBI: background thread "ubi_bgt0d" started, PID 7541 UBI device number 0, total
 960 LEBs (14745600
bytes, 14.1 MiB), available 947 LEBs (14545920 bytes, 13.9 MiB), LEB size 15360
bytes (15.0 KiB)
[root@(none) root]# ubimkvol /dev/ubi0 -N rootfs -s 14205KiB Volume ID 0, size
947 LEBs (14545920
bytes, 13.9 MiB), LEB size 15360 bytes (15.0 KiB), dynamic, name "rootfs",
alignment 1
[root@(none) root]# mount -t ubifs /dev/ubi0_0 /mnt/
UBIFS: default file-system created
UBIFS: mounted UBI device 0, volume 0, name "rootfs"
UBIFS: file system size: 14361600 bytes (14025 KiB, 13 MiB, 935 LEBs)
UBIFS: journal size: 721920 bytes (705 KiB, 0 MiB, 47 LEBs)
UBIFS: media format: w4/r0 (latest is w4/r0)
UBIFS: default compressor: lzo
UBIFS: reserved for root: 678333 bytes (662 KiB)
[root@(none) root]# cd /mnt/
[root@(none) mnt]# ls
[root@(none) mnt]# touch flash_file
[root@(none) mnt]# ls -l
total 0
-rw-r--r-- 1 root root 0 Jul 6 14:45 flash_file
[root@(none) mnt]# cd
[root@(none) root]# umount /mnt/
UBIFS: un-mount UBI device 0, volume 0
[root@(none) root]# mount -t ubifs /dev/ubi0_0 /mnt/
UBIFS: mounted UBI device 0, volume 0, name "rootfs"
UBIFS: file system size: 14361600 bytes (14025 KiB, 13 MiB, 935 LEBs)
UBIFS: journal size: 721920 bytes (705 KiB, 0 MiB, 47 LEBs)
UBIFS: media format: w4/r0 (latest is w4/r0)
UBIFS: default compressor: lzo
UBIFS: reserved for root: 678333 bytes (662 KiB)
[root@(none) root]# ls -l /mnt/
total 0
-rw-r--r-- 1 root root 0 Jul 6 14:45 flash_file
```

6.5.6.2.9 Known Bugs, Limitations, or Technical Issues

Boards which have NAND Flash with 512 byte page size, JFFS2 cannot be supported using H/W ECC support of IFC, as there is not enough remaining space in the OOB area.

To use JFFS2, use SOFT ECC.

6.5.7 Low Power Universal Asynchronous Receiver/Transmitter (LPUART)

6.5.7.1 Description

Low Power Universal asynchronous receiver/transmitter (LPUART) is a high speed and low-power UART. Refer to below table for the NXP SoCs that can support LPUART.

SoC	Num of LPUART module
LS1021A	6
LS1043A	6

6.5.7.2 U-Boot Configuration Compile-time options

Below are major U-Boot configuration options related to this feature defined in platform-specific config files under include/configs/ directory.

Option Identifier	Description
CONFIG_LPUART	Enable LPUART support
CONFIG_FSL_LPUART	Enable NXP LPUART support
CONFIG_LPUART_32B_REG	Select 32-bit LPUART register mode

Choosing predefined U-Boot board configs:

Make the defconfig include 'lpuart', such as: ls1021atwr_nor_lpuart_defconfig. This will support LPUART.

Runtime options

Env Variable	Env Description	Sub option	Option Description
bootargs	Kernel command-line argument passed to kernel	console=ttyLP0,1152000	Select LPUART0 as the system console

6.5.7.3 Kernel Configure Options

Tree View

Below are the configure options need to be set/unset while doing "make menuconfig" for kernel

Kernel Configure Tree View Options	Description
<pre> Device Drivers ---> Character devices ---> Serial drivers ---> <*> Freescale lpuart serial port support </pre>	LPUART driver and enable console support

Kernel Configure Tree View Options	Description
[*] Console on Freescale lpuart serial port	

Identifier

Below are the configure identifiers which are used in kernel source code and default configuration files.

Option	Values	Default Value	Description
CONFIG_SERIAL_FSL_LPUART	y/m/n	n	LPUART driver

6.5.7.4 Device Tree Binding

Below is an example device tree node required by this feature. Note that it may have differences among platforms.

```
lpuart0: serial@2950000 {
    compatible = "fsl,vf610-lpuart";
    reg = <0x0 0x2950000 0x0 0x1000>;
    interrupts = <GIC_SPI 80 IRQ_TYPE_LEVEL_HIGH>;
    clocks = <&sysclk>;
    clock-names = "ipg";
    fsl,lpuart32;
    status = "okay";
}
```

6.5.7.5 Source Files

The following source files are related to this feature in U-Boot.

Source File	Description
drivers/serial/serial_lpuart.c	The LPUART driver file

The following source files are related to this feature in Linux kernel.

Source File	Description
drivers/tty/serial/fsl_lpuart.c	The LPUART driver file

6.5.7.6 Verification in U-Boot

1. Boot up U-Boot from bank0, and update rcw and U-Boot for LPUART support to bank4, first copy the rcw and U-Boot binary to the TFTP directory.
2. Refer to the platform deploy document to update the rcw and U-Boot.
3. After all is updated, run U-Boot command to switch to alt bank, then will bring up the new U-Boot to the LPUART console.

```
CPU: Freescale LayerScape LS1020E, Version: 1.0, (0x87081010)
Clock Configuration:
  CPU0 (ARMV7):1000 MHz,
  Bus:300 MHz, DDR:800 MHz (1600 MT/s data rate),
Reset Configuration Word (RCW):
  00000000: 0608000a 00000000 00000000 00000000
  00000010: 60000000 00407900 e0025a00 21046000
```



```

00000020: 00000000 00000000 00000000 08038000
00000030: 00000000 001b7200 00000000 00000000
I2C: ready
Board: LS1021ATWR
CPLD: V2.0
PCBA: V1.0
VBank: 0
DRAM: 1 GiB
Using SERDES1 Protocol: 48 (0x30)
Flash: 0 Bytes
MMC: FSL_SDHC: 0
EEPROM: NXID v16777216
PCIE1: Root Complex no link, regs @ 0x3400000
PCIE2: disabled
In: serial
Out: serial
Err: serial
SATA link 0 timeout.
AHCI 0001.0300 1 slots 1 ports ? Gbps 0x1 impl SATA mode
flags: 64bit ncq pm clo only pmp fbss pio slum part ccc
Found 0 device(s).
SCSI: Net: eTSEC1 is in sgmi mode.
eTSEC2 is in sgmi mode.
eTSEC1, eTSEC2 [PRIME], eTSEC3
=>

```

6.5.7.7 Verification in Linux

1. After U-Boot startup, set the command-line parameter to pass to the linux kernel including console=ttyLP0,115200 in bootargs. For deploy the ramdisk as rootfs, the bootargs can be set as "set bootargs root=/dev/ram0 rw console=ttyLP0,115200"

```

=> set bootargs root=/dev/ram0 rw console=ttyLP0,115200
=> dhcp 81000000 <tftpboot dir>/zImage.ls1021a;tftp 88000000 <tftpboot dir>/
initrd.ls1.uboot;tftp 8f000000 <tftpboot dir>/ls1021atwr.dtb;bootz 81000000
88000000 8f000000
[...]
Starting kernel ...
Uncompressing Linux... done, booting the kernel.
Booting Linux on physical CPU 0xf00
Linux version 3.12.0+ (xxx@rock) (gcc version 4.8.3 20131202 (prerelease)
(crosstool-NG
linaro-1.13.1-4.8-2013.12 - LinaroGCC 2013.11) ) #664 SMP Tue Jun 24 15:30:45
CST 2014
CPU: ARMv7 Processor [410fc075] revision 5 (ARMv7), cr=30c73c7d
CPU: PIPT / VIPT nonaliasing data cache, VIPT aliasing instruction cache
Machine: Freescale Layerscape LS1021A, model: LS1021A TWR Board
Memory policy: ECC disabled, Data cache writealloc
PERCPU: Embedded 7 pages/cpu @8901c000 s7936 r8192 d12544 u32768
Built 1 zonelists in Zone order, mobility grouping on. Total pages: 520720
Kernel command line: root=/dev/ram rw console=ttyLP0,115200
PID hash table entries: 4096 (order: 2, 16384 bytes)
[...]
ls1021atwr login: root
root@ls1021atwr:~#

```

2. After the kernel boot up to the console, you can type any shell command in the LPUART TERMINAL.

6.5.8 PCI Express Interface Controller

6.5.8.1 PCIe Linux Driver

6.5.8.1.1 Module Loading

The MPC85xx/Layerscape PCIE host bridge support code is compiled into the kernel. It is not available as a module.

6.5.8.1.2 Kernel Configure Tree View Options

Kernel Configure Tree View Options	Description
<pre>Device Drivers ---> [*] PCI support ---> [*] PCI Express Port Bus support *- Message Signaled Interrupts (MSI and MSI-X)</pre>	Enables PCIe Port Bus and MSI/MSI-X support
<pre>Device Drivers ---> [*] PCI support ---> PCI controller drivers ---> DesignWare PCI Core Support ---> [*] Freescale Layerscape PCIe controller - Host mode</pre>	Enables NXP Layerscape PCIe controller RC mode driver
<pre>Device Drivers ---> [*] Network device support ---> [*] Ethernet driver support ---> [*] Intel devices ---> <*> Intel (R) PRO/1000 PCI-Express Gigabit Ethernet support</pre>	Intel PRO/1000 PCI-Express support
<pre>Device Drivers ---> <*> Serial ATA and Parallel ATA drivers (libata) ---> <*> Silicon Image 3124/3132 SATA support</pre>	Enables support for Silicon Image 3124/3132 Serial ATA.

6.5.8.1.3 Compile-time Configuration Options

Option	Values	Default Value	Description
CONFIG_PCI	y/n	y	Enable PCI host bridge
CONFIG_PCIEPORTBUS	y/n	y	Enables PCIe Port Bus support
CONFIG_PCI_MSI	y/n	y	MSI/MSI-X support
CONFIG_PCI_LAYERSCAPE	y/n	y	Enable PCIe controller RC mode driver for Layerscape

Option	Values	Default Value	Description
CONFIG_E1000E	y/m/n	y	Enable Intel Pro/1000 driver
CONFIG_SATA_SIL	y/m/n	y	Silicon Image SATA support

6.5.8.1.4 Source Files

The driver source is maintained in the Linux kernel source tree.

Source File	Description
arch/powerpc/sysdev/fsl_pci.c	The MPC85XX platform PCIe host bridge support source
drivers/pci/controller/dwc/pci-layerscape.c	The Layerscape platform PCIe host bridge support source
drivers/net/ethernet/intel/e1000e/	Intel Pro/1000 driver source code
drivers/ata/sata_sil.c	Silicon Image source code

6.5.8.1.5 SATA Card Test Procedure

```
The user can use command fdisk, mke2fs mount to operate the ide disk.
After kernel boots up, please follow the log to operate:
[root@pX0XX /root]# fdisk -l
Disk /dev/sda: 85.8 GB, 85899345920 bytes
255 heads, 63 sectors/track, 10443 cylinders
Units = cylinders of 16065 * 512 = 8225280 bytes
Disk /dev/sda doesn't contain a valid partition table
[root@pX0XX /root]# fdisk /dev/sda
Device contains neither a valid DOS partition table, nor Sun, SGI or OSF
disklabel
Building a new DOS disklabel. Changes will remain in memory only,
until you decide to write them. After that the previous content
won't be recoverable.
The number of cylinders for this disk is set to 10443.
There is nothing wrong with that, but this is larger than 1024,
and could in certain setups cause problems with:
1) software that runs at boot time (e.g., old versions of LILO)
2) booting and partitioning software from other OSs
(e.g., DOS FDISK, OS/2 FDISK)
Command (m for help): n
Command action
e extended
p primary partition (1-4)
p
Partition number (1-4): 1
First cylinder (1-10443, default 1): Using default value 1
Last cylinder or +size or +sizeM or +sizeK (1-10443, default 10443): 100
Command (m for help): w
The partition table has been altered!
Calling ioctl() to re-read partition table
sd 0:0:0:0: [sda] 167772160 512-byte hardware sectors (85899 MB)
sd 0:0:0:0: [sda] Write Protect is off
sd 0:0:0:0: [sda] Asking for cache data failed
sd 0:0:0:0: [sda] Assuming drive cache: write through
sda: sda1
[root@pX0XX /root]# mke2fs /dev/sda1
```

```

mke2fs 1.34 (25-Jul-2003)
Filesystem label=
OS type: Linux
Block size=4096 (log=2)
Fragment size=4096 (log=2)
100576 inodes, 200804 blocks
10040 blocks (5.00%) reserved for the super user
First data block=0
7 block groups
32768 blocks per group, 32768 fragments per group
14368 inodes per group
Superblock backups stored on blocks:
32768, 98304, 163840
Writing inode tables: done
Writing superblocks and filesystem accounting information: done
This filesystem will be automatically checked every 31 mounts or
180 days, whichever comes first. Use tune2fs -c or -i to override.
[root@pX0XX /root]# mkdir sdal_test
[root@pX0XX /root]# mount /dev/sdal sdal_test/
[root@pX0XX /root]# cp /bin/tar sdal_test/
[root@pX0XX /root]#

```

6.5.8.1.6 Ethernet Card Test Procedure

Plug Intel Pro/1000e network card into standard PCI-E slot on a board. After Linux bootup, run `ifconfig ethx <IP address> netmask <netmask>`, then do ping testing.

Here, `x` is the Ethernet interface number. For example, Ethernet interface number for Intel e1000 network card is `eth0`.

For example:

After kernel boot up, bring up the board with the PCI Ethernet card.

```
ifconfig ethx 192.168.20.100
```

IP address should not conflict with other Ethernet port.

At the Linux prompt, run command `ping 192.168.20.101`

6.5.8.1.7 Known Bugs, Limitations, or Technical Issues

- LSI-SAS card cannot be used on the second PCIe controller when system enables more than one PCIe controller. As a workaround for this issue, make following modifications in the code.

```

--- a/arch/powerpc/sysdev/fsl_pci.c
+++ b/arch/powerpc/sysdev/fsl_pci.c
@@ -549,7 +549,7 @@ int fsl_add_bridge(struct platform_device *pdev, int
 is_primary)
         printk(KERN_WARNING "Can't get bus-range for %pOF, assume"
                " bus 0\n", dev);
-       pci_add_flags(PCI_REASSIGN_ALL_BUS);
+       pci_add_flags(PCI_ENABLE_PROC_DOMAINS);
       hose = pcibios_alloc_controller(dev);
       if (!hose)
           return -ENOMEM;
@@ -851,7 +851,7 @@ int __init mpc83xx_add_bridge(struct device_node *dev)
         " bus 0\n", dev);
     }

```

```
- pci_add_flags (PCI_REASSIGN_ALL_BUS);
+ pci_add_flags (PCI_ENABLE_PROC_DOMAINS);
hose = pcibios_alloc_controller (dev);
if (!hose)
    return -ENOMEM;
```

6.5.8.2 PCIe Advanced Error Reporting User Manual

6.5.8.2.1

This section explains steps to test the PCI Express Advanced Error Reporting (AER) function.

6.5.8.2.2

Testing the PCIe AER error recovery code in actual environment is difficult because it is hard to trigger real hardware errors. So, a software tool is used for error injection to fake various kinds of PCIe errors.

6.5.8.2.3 Kernel Configure Tree View Options

Kernel Configure Tree View Options	Description
<pre>Device Drivers ---> [*] PCI support ---> [*] PCI Express Port Bus support [*] Root Port Advanced Error Reporting support <*> PCIe AER error injector support</pre>	Enables PCI Express AER and AER-INJECTOR in kernel.

6.5.8.2.4 Kernel compile-time Configuration Options

Option	Values	Default Value	Description
CONFIG_PCIEAER	y/n	y	Enable AER
CONFIG_PCIEAER_INJECT	y/m/n	n	Enables AER INJECT

6.5.8.2.5 Source Files

The driver source is maintained in the Linux kernel source tree.

Source File	Description
drivers/pci/pcie/aer*	AER driver support

6.5.8.2.6 Prepare aer-inject test tool

1. Download aer-inject test utility.
2. Write a test config file. For example:

```
$ vi aer-cfg
AER
DOMAIN 0001
BUS 1
```

```
DEV 0
FN 0
COR_STATUS BAD_TLP
HEADER_LOG 0 1 2 3
```

Note: Error type can be ["COR_STATUS", "UNCOR_STATUS"]
 Corrected error can be: ["BAD_TLP", "RCVR", "BAD_DLLP", "REP_ROLL", "REP_TIMER"]
 Uncorrected non-fatal error can be: ["POISON_TLP", "COMP_TIME", "COMP_ABORT", "UNX_COMP", "ECRC", "UNSUP"]
 Uncorrected fatal error can be: ["TRAIN", "DLP", "FCP", "RX_OVER", "MALF_TLP"]

Test Steps

1. Insert a PCIe device in PCIe slot of board, ensure the PCIe device has AER capability, for example e1000e PCIe NIC network card.
2. At the U-Boot prompt, add "pcie_ports=native" in bootargs command line.

```
=> setenv othbootargs pcie_ports=native
```

3. Boot the kernel and filesystem.
4. Check AER device and config.

```
# zcat /proc/config.gz | grep -i CONFIG_PCIEAER_INJECT
CONFIG_PCIEAER_INJECT=y
# cat /proc/cmdline
root=/dev/ram rw console=ttyS0,115200 pcie_ports=native
check "pcie_ports=native" has been set.
# ls /dev/aer_inject
Check if the aer injector device is created.
# lspci
00:00.0 Class 0604: 1957:0410
01:00.0 Class 0200: 8086:10d3
e.g. here device "01:00.0" is the PCIe NIC e1000 network card in the test
scenario.
```

5. Download aer-inject and aer-cfg from host to test-board.

```
$ scp aer-inject aer-cfg root@test-board-ip:~
```

6. Ensure the PCIe device domain-number/bus-number/device-number/function-number in aer-cfg is as per the output of lspci
7. Run aer-inject, the corresponding error information is reported as follows and AER recovers the PCIe device according to the type of errors.

```
# ./aer-inject aer-cfg
example of error report as below:
pcieport 0000:00:00.0: AER: Corrected error received: id=0100
e1000e 0000:01:00.0: PCIe Bus Error: severity=Corrected, type=Data Link
Layer, id=0100(Receiver ID)
e1000e 0000:01:00.0: device [8086:10d3] error status/mask=00000040/00002000
e1000e 0000:01:00.0: [6] Bad TLP
root@lsxxxx:~#
```

8. The PCIe device (e1000e PCIe NIC) should still work after AER error recovery.

```
# ping 192.168.1.1 -c 2 -s 64
PING 192.168.1.1 (192.168.1.1): 64 data bytes
72 bytes from 192.168.1.1: icmp_seq=0 ttl=64 time=0.272 ms
72 bytes from 192.168.1.1: icmp_seq=1 ttl=64 time=0.210 ms
--- 192.168.1.1 ping statistics ---
2 packets transmitted, 2 packets received, 0% packet loss
round-trip min/avg/max/stddev = 0.210/0.241/0.272/0.031 ms
```

Note:

On some legacy platforms with legacy PCI controller (for example, some non-DPAA platforms), hardware does not support Fatal error type for AER, hardware only supports Non-Fatal error. DPAA platforms with new PCIe controller can support both Fatal error and Non-Fatal error.

6.5.8.3 PCIe Remove and Rescan User Manual

6.5.8.3.1

This section explains how to remove and rescan a PCIe device under runtime Linux system.

6.5.8.3.2 U-Boot Configuration

Use the default configurations.

6.5.8.3.3 Kernel Configure Options

Use the default configurations. Ensure that the configure option is set while executing `make menuconfig` for kernel.

Kernel Configure Tree View Options	Description
<pre>Device Drivers ---> [*] Network device support ---> [*] Ethernet driver support ---> [*] Intel devices ---> <*> Intel (R) PRO/1000 PCI-Express Gigabit Ethernet support</pre>	<p>This option enables kernel support for Intel PCIe e1000e network card.</p>

Below are the configure identifiers which are used in kernel source code and default configuration files.

Option	Values	Default Value	Description
CONFIG_E1000E	y/m/n	y	Intel PCIe e1000e network card driver

6.5.8.3.4 Device Tree Binding

Use the default dtb file.

6.5.8.3.5 Verification in Linux

Ensure that the PCIe controller which you add the PCIe e1000e network card to works as RC mode. Use the kernel, dtb, and ramdisk rootfs to boot the board.

1. Suppose the PCIe device under `/sys/bus/pci/devices/0001\:03\:00.0` is the Intel PCIe e1000e network card, recognized as `eth0`. The `/sys/bus/pci/devices/0001\:02\:00.0` is the bus of network card. Configure an ip and ping another host which is in the same subnet, make sure the network card works well.

```
# ls /sys/bus/pci/devices/0001\:03\:00.0/net
eth0
# ifconfig eth0 10.193.20.100
# ping -I eth0 10.193.20.31
```

2. Remove the PCIe network card from system.

```
# echo 1 > /sys/bus/pci/devices/0001\:03\:00.0/remove
e1000e 0001:03:00.0 eth0: removed PHY
```

3. Check whether the PCIe network card still exists in system. All should fail.

```
# ifconfig eth0
# ls /sys/bus/pci/devices/0001\:03\:00.0
```

4. Rescan it from the bus.

```
# echo 1 > /sys/bus/pci/devices/0001\:02\:00.0/rescan
```

5. Check whether the device is rescanned and works well.

```
# ls /sys/bus/pci/devices/0001\:03\:00.0
# ifconfig eth0 10.193.20.100
# ping -I eth0 10.193.20.31
```

6. All the commands in step 5 should be successful.

6.5.8.3.6 Known Bugs, Limitations, or Technical Issues

None

6.5.8.4 PCIe Endpoint Mode Linux driver

The Layerscape Endpoint mode driver is developed based on the Endpoint framework to create endpoint controller driver, endpoint function driver, and use configs interface to bind the function driver to the controller driver.

6.5.8.4.1 Kernel Configure Tree View Options

Kernel Configure Tree View Options	Description
<pre>Device Drivers ---> [*] PCI support ---> PCI Endpoint ---> [*] PCI Endpoint Support [*] PCI Endpoint Configfs Support <*> PCI Endpoint Test driver</pre>	Enables PCIe Endpoint framework driver.
<pre>Device Drivers ---> [*] PCI support ---> PCI controller drivers ---> DesignWare PCI Core Support ---> [*] Freescale Layerscape PCIe controller - Endpoint mode</pre>	Enables NXP Layerscape PCIe controller EP mode driver.
<pre>Device Drivers ---> Misc devices ---> <*> PCI Endpoint Test driver</pre>	Enables host side test driver for PCI Endpoint.

6.5.8.4.2 Compile-time Configuration Options

Option	Values	Default Value	Description
CONFIG_PCI	y/n	y	Enables PCI and PCIe local bus support
CONFIG_PCI_ENDPOINT	y/n	y	Enables PCI Endpoint support
CONFIG_PCI_ENDPOINT_CONFIGFS	y/n	y	Enables PCI Endpoint configfs support
CONFIG_PCI_EPF_TEST	y/m/n	m	Enables PCI Endpoint test driver
CONFIG_PCI_LAYERSCAPE_EP	y/n	n	Enables PCIe controller Endpoint mode driver for Layerscape
CONFIG_PCI_ENDPOINT_TEST	y/m/n	m	Enables host side test driver for PCI Endpoint

6.5.8.4.3 Source Files

The driver source is maintained in the Linux kernel source tree.

Source File	Description
drivers/pci/endpoint/*	The PCI Endpoint framework source
drivers/pci/endpoint/functions/pci-epf-test.c	The PCI Endpoint test driver source
drivers/pci/controller/dwc/pci-layerscape-ep.c	The Layerscape platform PCIe Endpoint support source
drivers/misc/pci_endpoint_test.c	The host side driver for PCI Endpoint source

6.5.8.4.4 Test Procedure (with LS1088A as example)

1. Update RCW to specify the PCIe controller to work as Endpoint.

For example:

Configure the first PCIe controller as Endpoint, add the following line to the RCW file.

```
HOST_AGT_PEX1=1
```

2. Boot up Linux on Endpoint board and execute the following commands at the prompt.

Setup the first PF:

```
# cd /sys/kernel/config/pci_ep/
# mkdir functions/pci_epf_test/func1
# echo 0x1957 > functions/pci_epf_test/func1/vendorid
# echo 0x80c0 > functions/pci_epf_test/func1/deviceid
# echo 2 > functions/pci_epf_test/func1/msi_interrupts
# echo 8 > functions/pci_epf_test/func1/msix_interrupts
# ln -s functions/pci_epf_test/func1 controllers/3400000.pcie_ep
```

If the controller supports 2 PFs, execute the following command to set up second PF:

```
# cd /sys/kernel/config/pci_ep/
# mkdir functions/pci_epf_test/func2
# echo 0x1957 > functions/pci_epf_test/func2/vendorid
# echo 0x80c0 > functions/pci_epf_test/func2/deviceid
# echo 2 > functions/pci_epf_test/func2/msi_interrupts
# echo 8 > functions/pci_epf_test/func2/msix_interrupts
```

```
# ln -s functions/pci_epf_test/func2 controllers/3400000.pcie_ep
```

3. Boot up Linux on RC board and run the functionality tests

- a. Get the `pcitest` application and script and install to `/usr/sbin`

Note: The `pcitest` application and script is at `<Linux kernel>/tools/pci/`

- b. Run `pcitest.sh`.

Note: This script can only test the first PF. To test the second PF, you need to specify the second PF by adding the option `'-D /dev/pci-endpoint-test.1'` to each `pcitest` command in `pcitest.sh` and run the script again.

```
# ./pcitest.sh
BAR tests
BAR0:          OKAY
BAR1:          NOT OKAY
BAR2:          OKAY
BAR3:          NOT OKAY
BAR4:          OKAY
BAR5:          NOT OKAY
Interrupt tests
SET IRQ TYPE TO LEGACY:          OKAY
LEGACY IRQ:          NOT OKAY
SET IRQ TYPE TO MSI:          OKAY
MSI1:              OKAY
MSI2:              OKAY
SET IRQ TYPE TO MSI-X:          OKAY
MSI-X1:            OKAY
MSI-X2:            OKAY
MSI-X3:            OKAY
MSI-X4:            OKAY
MSI-X5:            OKAY
MSI-X6:            OKAY
MSI-X7:            OKAY
MSI-X8:            OKAY
Read Tests
SET IRQ TYPE TO MSI:          OKAY
READ (          1 bytes):      OKAY
READ (    1024 bytes):        OKAY
READ (    1025 bytes):        OKAY
READ (1024000 bytes):        OKAY
READ (1024001 bytes):        OKAY
Write Tests
WRITE (          1 bytes):      OKAY
WRITE (    1024 bytes):        OKAY
WRITE (    1025 bytes):        OKAY
WRITE (1024000 bytes):        OKAY
WRITE (1024001 bytes):        OKAY
Copy Tests
COPY (          1 bytes):      OKAY
COPY (    1024 bytes):        OKAY
COPY (    1025 bytes):        OKAY
COPY (1024000 bytes):        OKAY
COPY (1024001 bytes):        OKAY
```

6.5.8.4.5 Known Bugs, Limitations, or Technical Issues

Currently supported platforms: LS1028A, LS1046A, LS1088A, LX2160A rev2, and LX2162A.

6.5.9 Quad Serial Peripheral Interface (QSPI)

6.5.9.1 U-Boot Configuration

Ensure that your board supports booting via QSPI.

For information about booting modes supported on your board and how to boot the board from the specific boot option, see [Layerscape Quick Start](#).

6.5.9.2 Kernel Configure Tree View Options

```
Device Drivers --->
  [*] SPI support --->
    <*> Freescale QSPI controller
```

6.5.9.3 Compile-time Configuration Options

Config	Values	Default Value	Description
CONFIG_SPI_FSL_QUADSPI	y/n	y	Enable QSPI module

6.5.9.4 Verification in U-Boot

```
=> sf probe 0:0
SF: Detected s25fl512s with page size 256 Bytes, erase size 256 KiB, total 64 MiB
=> sf erase 0x1000000 0x100000
SF: 1048576 bytes @ 0x1000000 Erased: OK
=> sf write 0x82000000 0x1000000 0x100000
device 0 offset 0x1000000, size 0x100000
SF: 1048576 bytes @ 0x1000000 Written: OK
=> sf read 0x81000000 0x1000000 0x100000
device 0 offset 0x1000000, size 0x100000
SF: 1048576 bytes @ 0x1000000 Read: OK
=> cmp.b 0x81000000 0x82000000 0x100000
Total of 1048576 byte(s) were the same
=>
```

6.5.9.5 Verification in Linux:

```
The booting log
.....
spi-nor spi0.0: Failed to parse optional parameter table: ff81
spi-nor spi0.0: s25fs512s (65536 Kbytes)
spi-nor spi0.1: Failed to parse optional parameter table: ff81
spi-nor spi0.1: s25fs512s (65536 Kbytes)
.....
Erase the QSPI flash
~# mtd_debug erase /dev/mtd1 0x1000000 0x100000
Erased 1048576 bytes from address 0x01000000 in flash
Write the QSPI flash
```

```
~# dd if=/dev/urandom of=data.hex count=1 bs=1M
1+0 records in
1+0 records out
1048576 bytes (1.0 MB) copied, 0.0132132 s, 79.4 MB/s
~# mtd_debug write /dev/mtd1 0x1000000 0x100000 data.hex
Copied 1048576 bytes from data.hex to address 0x01000000 in flash
Read the QSPI flash
~# mtd_debug read /dev/mtd1 0x1000000 0x100000 dump
Copied 1048576 bytes from address 0x01000000 in flash to dump
Check Read and Write
Use compare tools
~ # diff data.hex dump
~ #
If diff command has no print log, the QSPI verification is passed.
```

6.5.10 Flexible Serial Peripheral Interface (FlexSPI)

6.5.10.1 U-Boot Configuration

Ensure that your board supports booting via FlexSPI.

For information about booting modes supported on your board and how to boot the board from the specific boot option, see [Layerscape Quick Start](#).

6.5.10.2 Kernel Configure Tree View Options

```
Device Drivers --->
  [*] SPI support --->
    <*> NXP Flex SPI controller
```

6.5.10.3 Compile-time Configuration Options

Config	Values	Default Value	Description
CONFIG_SPI_NXP_FLEXPPI	y/n	y	Enable FlexSPI module

6.5.10.4 Verification in U-Boot

```
=> sf probe 0:0
SF: Detected mt35xu512aba with page size 256 Bytes, erase size 128 KiB, total 64 MiB
=> sf erase 0x1000000 0x100000
SF: 1048576 bytes @ 0x1000000 Erased: OK
=> sf write 0x82000000 0x1000000 0x100000
device 0 offset 0x1000000, size 0x100000
SF: 1048576 bytes @ 0x1000000 Written: OK
=> sf read 0x81000000 0x1000000 0x100000
device 0 offset 0x1000000, size 0x100000
SF: 1048576 bytes @ 0x1000000 Read: OK
=> cmp.b 0x81000000 0x82000000 0x100000
Total of 1048576 byte(s) were the same
=>
```

6.5.10.5 Verification in Linux:

```
The booting log
.....
spi-nor spi0.0: found mt35xu512aba, expected m25p80
spi-nor spi0.0: mt35xu512aba (65536 Kbytes)
spi-nor spi0.1: found mt35xu512aba, expected m25p80
spi-nor spi0.1: mt35xu512aba (65536 Kbytes)
.....
Erase the FlexSPI flash
~# mtd_debug erase /dev/mtd1 0x1000000 0x100000
Erased 1048576 bytes from address 0x01000000 in flash
Write the FlexSPI flash
~# dd if=/dev/urandom of=data.hex count=1 bs=1M
1+0 records in
1+0 records out
1048576 bytes (1.0 MB) copied, 0.00926398 s, 113 MB/s
~# mtd_debug write /dev/mtd1 0x1000000 0x100000 data.hex
Copied 1048576 bytes from data.hex to address 0x01000000 in flash
Read the FlexSPI flash
~# mtd_debug read /dev/mtd1 0x1000000 0x100000 dump
Copied 1048576 bytes from address 0x01000000 in flash to dump
Check Read and Write
Use compare tools
~# diff data.hex dump
~#
If diff command has no print log, the FlexSPI verification is passed.
```

6.5.11 Queue Direct Memory Access Controller (qDMA)

The qDMA controller transfers blocks of data between one source and one destination. The blocks of data transferred can be represented in memory as contiguous or noncontiguous using scatter/gather table(s). Channel virtualization is supported through enqueueing of DMA jobs to, or dequeuing DMA jobs from, different work queues.

QDMA can support Layerscape platform with DPAA1 or DPAA2.

6.5.11.1 QDMA for platform with DPAA1

Kernel Configure Options

Below are the configure options need to be set/unset while doing "make menuconfig" for kernel.

Kernel Configure Tree View Options	Description
<pre>Device Drivers ---> [*] DMA Engine support ---> ---> <*> Freescale qDMA engine support</pre>	<p>Support the Freescale qDMA engine with command queue and legacy mode.</p> <p>Channel virtualization is supported through enqueueing of DMA jobs to, or dequeuing DMA jobs from, different work queues.</p> <p>This module can be found on Freescale LS SoCs.</p>

Identifier

Below are the configure identifiers which are used in kernel source code and default configuration files.

Option	Values	Default Value	Description
CONFIG_FSL_QDMA	y/m/n	n	qDMA driver

Device Tree Binding

Device Tree Node

Below is an example device tree node required by this feature. Note that there may be differences among platforms.

```

qdma: qdma@8380000 {
    compatible = "fsl,ls1046a-qdma", "fsl,ls1021a-qdma";
    reg = <0x0 0x8380000 0x0 0x1000>, /* Controller regs */
        <0x0 0x8390000 0x0 0x10000>, /* Status regs */
        <0x0 0x83a0000 0x0 0x40000>; /* Block regs */
    interrupts = <0 153 0x4>,
                <0 39 0x4>;
    interrupt-names = "qdma-error", "qdma-queue";
    channels = <8>;
    queues = <2>;
    status-sizes = <64>;
    queue-sizes = <64 64>;
    big-endian;
};
    
```

Source File

The following source files are related the feature in Linux kernel.

Source File	Description
drivers/dma/fsl-qdma.c	The qDMA driver file

Verification in Linux

```

root@ls1043ardb:~# echo 1024 > /sys/module/dmatest/parameters/test_buf_size;
root@ls1043ardb:~# echo 4 > /sys/module/dmatest/parameters/threads_per_chan;
root@ls1043ardb:~# echo 2 > /sys/module/dmatest/parameters/max_channels;
root@ls1043ardb:~# echo 100 > /sys/module/dmatest/parameters/iterations;
root@ls1043ardb:~# echo 1 > /sys/module/dmatest/parameters/run
[ 32.498138] dmatest: Started 4 threads using dma0chan0
[ 32.503430] dmatest: Started 4 threads using dma0chan1
[ 32.508939] dmatest: Started 4 threads using dma0chan2
[ 32.520073] dmatest: dma0chan0-copy0: summary 100 tests, 0 failures 4904 iops
2452 KB/s (0)
[ 32.520076] dmatest: dma0chan0-copy2: summary 100 tests, 0 failures 4923 iops
2461 KB/s (0)
[ 32.520079] dmatest: dma0chan0-copy3: summary 100 tests, 0 failures 4928 iops
2661 KB/s (0)
[ 32.520176] dmatest: dma0chan0-copy1: summary 100 tests, 0 failures 4892 iops
2446 KB/s (0)
[ 32.526438] dmatest: dma0chan1-copy0: summary 100 tests, 0 failures 4666 iops
2240 KB/s (0)
[ 32.526441] dmatest: dma0chan1-copy2: summary 100 tests, 0 failures 4675 iops
2291 KB/s (0)
[ 32.526469] dmatest: dma0chan1-copy3: summary 100 tests, 0 failures 4674 iops
2197 KB/s (0)
[ 32.529610] dmatest: dma0chan2-copy1: summary 100 tests, 0 failures 5168 iops
2791 KB/s (0)
    
```

```
[ 32.529613] dmatest: dma0chan2-copy0: summary 100 tests, 0 failures 5164 iops
2478 KB/s (0)
[ 32.529754] dmatest: dma0chan2-copy3: summary 100 tests, 0 failures 5215 iops
2555 KB/s (0)
[ 32.529756] dmatest: dma0chan2-copy2: summary 100 tests, 0 failures 5211 iops
2709 KB/s (0)
[ 32.537881] dmatest: dma0chan1-copy1: summary 100 tests, 0 failures 3044 iops
1461 KB/s (0) (0)
dmatest: dma0chan0-copy3: summary 1000 tests, 0 failures 4078 iops 33474 KB/s
(0)
dmatest: dma0chan0-copy0: summary 1000 tests, 0 failures 3024 iops 24486 KB/s
(0)
dmatest: dma0chan0-copy2: summary 1000 tests, 0 failures 2881 iops 23588 KB/s
(0)
```

6.5.11.2 QDMA for platform with DPAA2

Kernel Configure Options

Below are the configure options need to be set/unset while doing "make menuconfig" for kernel.

Kernel Configure Tree View Options	Description
<pre>Device Drivers ---> [*] DMA Engine support ----> ----> <*> NXP DPAA2 QDMA</pre>	<p>NXP Data Path Acceleration Architecture 2 QDMA driver, using the NXP MC bus driver.</p>

Identifier

Below are the configure identifiers which are used in kernel source code and default configuration files.

Option	Values	Default Value	Description
CONFIG_FSL_DPAA2_QDMA	y/m/n	n	qDMA driver

Source Files

The following source files are related the feature in Linux kernel.

Source File	Description
drivers/dma/dpaa2-qdma/*	The qDMA driver file

Verification in Linux

```
Create DPDMAI object using restool:
restool dpdmai create --priorities=2,5
restool dprc assign dprc.1 --object=dpdmai.0 --plugged=1
Configure parameters for dmatest and run it:
echo 8 > /sys/module/dmatest/parameters/test_flag
echo 100 > /sys/module/dmatest/parameters/sg_size
echo 10000 > /sys/module/dmatest/parameters/iterations
echo 1 > /sys/module/dmatest/parameters/threads_per_chan
echo 8 > /sys/module/dmatest/parameters/max_channels
echo 64 > /sys/module/dmatest/parameters/test_buf_size
echo 1 > /sys/module/dmatest/parameters/run
Example log:
```

```

root@ls2085ardb:~# echo 8 > /sys/module/dmatest/parameters/test_flag
root@ls2085ardb:~# echo 10 > /sys/module/dmatest/parameters/iterations
root@ls2085ardb:~# echo 2 > /sys/module/dmatest/parameters/threads_per_chan
root@ls2085ardb:~# echo 32384 > /sys/module/dmatest/parameters/test_buf_size
root@ls2085ardb:~# echo 4 > /sys/module/dmatest/parameters/max_channels
root@ls2085ardb:~# echo 1 > /sys/module/dmatest/parameters/run
[ 68.460353] dmatest: Started 2 threads using dma0chan0
[ 68.465549] dmatest: Started 2 threads using dma0chan1
[ 68.465755] dmatest: dma0chan0-sg0: summary 10 tests, 0 failures 1847 iops
422686 KB/s (0)
[ 68.465963] dmatest: dma0chan0-sg1: summary 10 tests, 0 failures 1786 iops
367095 KB/s (0)
[ 68.470694] dmatest: dma0chan1-sg0: summary 10 tests, 0 failures 1938 iops
608838 KB/s (0)
[ 68.470987] dmatest: dma0chan1-sg1: summary 10 tests, 0 failures 1843 iops
517419 KB/s (0)
[ 68.503858] dmatest: Started 2 threads using dma0chan2
[ 68.509042] dmatest: Started 2 threads using dma0chan3
[ 68.509255] dmatest: dma0chan2-sg0: summary 10 tests, 0 failures 1849 iops
549944 KB/s (0)
[ 68.509454] dmatest: dma0chan2-sg1: summary 10 tests, 0 failures 1789 iops
473514 KB/s (0)
[ 68.514518] dmatest: dma0chan3-sg1: summary 10 tests, 0 failures 1830 iops
414714 KB/s (0)
[ 68.515016] dmatest: dma0chan3-sg0: summary 10 tests, 0 failures 1670 iops
512859 KB/s (0)
    
```

6.5.12 Real Time Clock (RTC)

6.5.12.1 Linux SDK for QorIQ Processors

6.5.12.2 Description

Provides the RTC function.

6.5.12.3 Kernel Configure Tree View Options

Kernel Configure Tree View Options	Description
<pre> Device Drivers-> Real Time Clock--> [*] Set system time from RTC on startup and resume (new) (rtc0) RTC used to set the system time (new) <[*] /sys/class/rtc/rtcN (sysfs) <[*] /proc/driver/rtc (procfs for rtc0) <[*] /dev/rtcN (character devices) </pre>	Enable RTC driver

6.5.12.4 Compile-time Configuration Options

Option	Values	Default Value	Description
CONFIG_RTC_LIB	y/m/n	y	Enable RTC lib

Option	Values	Default Value	Description
CONFIG_RTC_CLASS	y/m/n	y	Enable generic RTC class support
CONFIG_RTC_HCTOSYS	y/n	y	Set the system time from RTC when startup and resume
CONFIG_RTC_HCTOSYS_DEVICE		"rtc0"	RTC used to set the system time
CONFIG_RTC_INTF_SYSFS	y/m/n	y	Enable RTC to use sysfs
CONFIG_RTC_INTF_PROC	y/m/n	y	Use RTC through the proc interface
CONFIG_RTC_INTF_DEV	y/m/n	y	Enable RTC to use /dev interface

6.5.12.5 Source Files

The driver source is maintained in the Linux kernel source tree.

Source File	Description
drivers/rtc/	Linux RTC driver

6.5.12.6 Device Tree Binding

Preferred node name: rtc

Property	Type	Status	Description
compatible	string	Required	Should be "dallas,ds3232"

6.5.12.7 Default node:

```
i2c@3000 {
    #address-cells = <1>;
    #size-cells = <0>;
    compatible = "fsl-i2c";
    reg = <0x3000 0x100>;
    interrupts = <43 2>;
    interrupt-parent = <&mpic>;
    dfsrr;
    rtc@68 {
        compatible = "dallas,ds3232";
        reg = <0x68>;
    };
};
```

6.5.12.8 Verification in Linux

Here is the RTC booting log

```
...
rtc-ds3232 1-0068: rtc core: registered ds3232 as rtc0
MC object device driver dpaa2_rtc registered
rtc-ds3232 0-0068: setting system clock to 2000-01-01 00:00:51 UTC (946684851)
...
NOTE: Please refer to the related DTS file to enable the RTC driver before
building.
```

For example, LS2080AQDS board, should enable the below option:
 <*> Dallas/Maxim DS3232

Change the RTC time in Linux Kernel

```

~ # ls /dev/rtc -l
lrwxrwxrwx 1 root root 4 Jan 11 17:55 /dev/rtc -> rtc0
~ # date
Sat Jan 1 00:01:38 UTC 2000
~ # hwclock
Sat Jan 1 00:01:41 2000 0.000000 seconds
~ # date 011115502011
Tue Jan 11 15:50:00 UTC 2011
~ # hwclock -w
~ # hwclock
Tue Jan 11 15:50:36 2011 0.000000 seconds
~ # date 011115502010
Mon Jan 11 15:50:00 UTC 2010
~ # hwclock -s
~ # date
Tue Jan 11 15:50:49 UTC 2011
~ #
NOTE: Before using the rtc driver, make sure the /dev/rtc node in your file
system is
correct. Otherwise, you need to make correct node for /dev/rtc
    
```

6.5.13 Synchronous Audio Interface (SAI)

6.5.13.1 Description

This document describes how to configure and test SAI audio driver for TWR-LS1021A and LS1028ARDB. The integrated I2S module is NXP's Synchronous Audio Interface (SAI). The codec is SGTL5000 stereo audio codec.

6.5.13.2 RCW configuration

Refer to the below table for the RCW for Audio on the TWR-LS1021A.

Board	RCW
TWR-LS1021A	Bit 364, EC1_EXT_SAI2_TX = 1; Bit 365, EC1_EXT_SAI2_RX =1; Bit 366-367, EC1_BASE = 00
LS1028ARDB	rcw_1300_audio.rcw, EC1_SAI4_5_PMUX = 2

6.5.13.3 Kernel Configure Options Tree View

Kernel Configure Tree View Options	Description
<pre> Device Drivers ---> <*> I2C support ---> [*] Enable compatibility bits for old user-space [*] I2C device interface [*] I2C bus multiplexing support </pre>	<p>Enable ALSA SOC driver, I2C driver, and EDMA driver.</p>

Kernel Configure Tree View Options	Description
<pre> Multiplexer I2C Chip support ---> <*> NXP PCA954x and PCA984x I2C Mux/switches [*] Autoselect pertinent helper modules I2C Hardware Bus support ---> <*> IMX I2C interface <*> Voltage and Current Regulator Support ---> [*] Regulator debug support [*] Provide a dummy regulator if regulator lookups fail [*] Fixed voltage regulator support <*> Sound card support <*> Advanced Linux Sound Architecture -> [*] OSS PCM (digital audio) API [*] OSS PCM (digital audio) API - Include plugin system [*] Support old ALSA API [*] Verbose procfs contents ALSA for SoC audio support ---> SoC Audio for Freescale CPUs ---> <*> Synchronous Audio Interface (SAI) module support CODEC drivers ---> <*> Freescale SGTL5000 CODEC <*> ASoC Simple sound card support <*> DMA Engine support ---> <*> Freescale eDMA engine support support </pre>	

Identifier

Below are the configure identifiers which are used in kernel source code and default configuration files.

Option	Values	Default value	Description
CONFIG_I2C_IMX	y/m/n	y	I2C driver needed for configuring SGTL5000
CONFIG_SOUND	y/m/n	y	Enable sound card support
CONFIG_SND	y/m/n	y	Enable advanced Linux sound architecture supports
CONFIG_SND_PCM_OSS	y/m/n	y	Enable OSS digital audio
CONFIG_SND_PCM_OSS_PLUGINS	y/m/n	y	Support conversion of channels, formats, and rates
CONFIG_SND_SUPPORT_OLD_API	y/m/n	y	Enable support old ALSA API

Option	Values	Default value	Description
CONFIG_SND_SOC_FSL_SAI	y/m/n	y	Enable SAI module support
CONFIG_SND_SOC_GENERIC_DMAENGINE_PCM	y/m/n	y	Enable generic dma engine for PCM
CONFIG_SND_SIMPLE_CARD	y/m/n	y	Enable generic simple sound card support
CONFIG_SND_SOC_SGTL5000	y/m/n	y	Enable codec sgtl5000 support
CONFIG_FSL_EDMA	y/m/n	y	Enable EDMA engine support

6.5.13.4 Source files

The driver source is maintained in the Linux kernel source tree.

Source file	Description
sound/soc/fsl	ALSA SOC driver source

6.5.13.5 Verification in Linux

1. The following messages will be shown in the kernel boot process:

```
sgtl5000 5-000a: sgtl5000 revision 0x11
sgtl5000 5-000a: Using internal LDO instead of VDDD
.....
asoc-simple-card sound: sgtl5000 <-> 2b60000.sai mapping ok
.....
ALSA device list:
#0: 2b60000.sai-sgtl5000
```

2. If the device nodes do not already exist, create directory /dev/snd/, and create device nodes with the following commands in /dev/snd/ directory.

```
mknod controlC0 c 116 0
mknod pcmC0D0c c 116 24
mknod pcmC0D0p c 116 16
```

3. On TWR-LS1021A, the LineOut interface is J8 and the LineIn interface is J13
4. On LS1028ARDB, set the switches SW5[8] = ON. To configure BRDCFG3[2] = 1, use latest CPLD or run this command “i2c mw 0x66 0x53 0x4” in U-Boot prompt. The lineout interface is J34.
5. Run the following aplay commands to test playback. Run the following arecord command to test record.

```
aplay -f S16_LE -r 44100 -t wav -c 2 44k-16bit-stereo.wav
arecord -d 10 -f S16_LE -r 44100 -t wav -c 2 44k-16bit-stereo-10s.wav
aplay -f S16_LE -r 44100 -t wav -c 2 44k-16bit-stereo-10s.wav
```

6. Use alsamixer to adjust the volume for playing by the option “PCM” and recording gain by the option “Mic”. Use alsamixer to choose LINE IN or MIC.

6.5.14 Serial Advanced Technology Attachment (SATA)

6.5.14.1 Description

The driver supports NXP native SATA controller.

6.5.14.2 Module Loading

SATA driver supports either kernel built-in or module.

Kernel Configure Tree View Options	Description
<pre>Device Drivers---> <*> Serial ATA and Parallel ATA drivers ---> --- Serial ATA and Parallel ATA drivers <*> AHCI SATA support <*> Freescale QorIQ AHCI SATA support</pre>	Enables SATA controller support on Arm-based SoCs

6.5.14.3 Compile-time Configuration Options

Option	Values	Default Value	Description
CONFIG_SATA_AHCI=y	y/m/n	y	Enables SATA controller
CONFIG_SATA_AHCI_QORIQ=y	y/m/n	y	Enables SATA controller

6.5.14.4 Source Files

The driver source is maintained in the Linux kernel source tree.

Source File	Description
drivers/ata/ahci_qoriq.c	Platform AHCI SATA support

6.5.14.5 Test Procedure

```
Please follow the following steps to use USB in Simics
(1) Boot up the kernel
...
fsl-sata ffe18000.sata: Sata FSL Platform/CSB Driver init
scsi0 : sata_fsl
ata1: SATA max UDMA/133 irq 74
fsl-sata ffe19000.sata: Sata FSL Platform/CSB Driver init
scsi1 : sata_fsl
ata2: SATA max UDMA/133 irq 41
...
(2) The disk will be found by kernel.
...
ata1: Signature Update detected @ 504 msecs
ata2: No Device OR PHYRDY change,Hstatus = 0xa0000000
ata2: SATA link down (SStatus 0 SControl 300)
ata1: SATA link up 1.5 Gbps (SStatus 113 SControl 300)
ata1.00: ATA-8: WDC WD1600AAJS-22WAA0, 58.01D58, max UDMA/133
ata1.00: 312581808 sectors, multi 0: LBA48 NCQ (depth 16/32)
ata1.00: configured for UDMA/133
scsi 0:0:0:0: Direct-Access ATA WDC WD1600AAJS-2 58.0 PQ: 0 ANSI: 5
sd 0:0:0:0: [sda] 312581808 512-byte logical blocks: (160 GB/149 GiB)
sd 0:0:0:0: Attached scsi generic sg0 type 0
sd 0:0:0:0: [sda] Write Protect is off
```

```
sd 0:0:0:0: [sda] Write cache: enabled, read cache: enabled, doesn't support DPO
or FUA
sda: sda1 sda2 sda3 sda4 < sda5 sda6 >
sd 0:0:0:0: [sda] Attached SCSI disk
(3)play with the disk according to the following log.
[root@ls1046 root]# fdisk -l /dev/sda
Disk /dev/sda: 160.0 GB, 160041885696 bytes
255 heads, 63 sectors/track, 19457 cylinders
Units = cylinders of 16065 * 512 = 8225280 bytes
Device Boot Start End Blocks Id System
/dev/sda1 1 237 1903671 83 Linux
/dev/sda2 238 480 1951897+ 82 Linux swap
/dev/sda3 481 9852 75280590 83 Linux
/dev/sda4 9853 19457 77152162+ f Win95 Ext'd (LBA)
/dev/sda5 9853 14655 38580066 83 Linux
/dev/sda6 14656 19457 38572033+ 83 Linux
[root@ls1046 root]#
[root@ls1046 root]# mke2fs /dev/sda1
mke2fs 1.41.4 (27-Jan-2009)
Filesystem label=
OS type: Linux
Block size=4096 (log=2)
Fragment size=4096 (log=2)
65280 inodes, 261048 blocks
13052 blocks (5.00%) reserved for the super user
First data block=0
Maximum filesystem blocks=268435456
8 block groups
32768 blocks per group, 32768 fragments per group
8160 inodes per group
Superblock backups stored on blocks:
32768, 98304, 163840, 229376
Writing inode tables: done
Writing superblocks and filesystem accounting information: done
This filesystem will be automatically checked every 22 mounts or
180 days, whichever comes first. Use tune2fs -c or -i to override.
[root@ls1046 root]#
[root@ls1046 root]# mkdir sata
[root@ls1046 root]# mount /dev/sda1 sata
[root@ls1046 root]# ls sata/
lost+found
[root@ls1046 root]# cp /bin/busybox sata/
[root@ls1046 root]# umount sata/
[root@ls1046 root]# mount /dev/sda1 sata/
[root@ls1046 root]# ls sata/
busybox lost+found
[root@ls1046 root]# umount sata/
[root@ls1046 root]# mount /dev/sda3 /mnt
[root@ls1046 root]# df
Filesystem 1K-blocks Used Available Use% Mounted on
rootfs 852019676 794801552 13937948 99% /
/dev/root 852019676 794801552 13937948 99% /
tmpfs 1036480 52 1036428 1% /dev
shm 1036480 0 1036480 0% /dev/shm
/dev/sda3 74098076 4033092 66300956 6% /mnt
```

6.5.14.6 Known Bugs, Limitations, or Technical Issues

- CD-ROM is not supported due to the silicon limitation

6.5.15 Security Engine (SEC)

SEC Device Drivers

6.5.15.1 Introduction and Terminology

The Linux kernel contains a Scatterlist Crypto API driver for the NXP SEC v4.x, v5.x security hardware blocks.

It integrates seamlessly with in-kernel crypto users, such as IPsec, in a way that any IPsec suite that configures IPsec tunnels with the kernel will automatically use the hardware to do the crypto.

SEC v5.x is backward compatible with SEC v4.x hardware, so one can assume that subsequent SEC v4.x references include SEC v5.x hardware, unless explicitly mentioned otherwise.

SEC v4.x hardware is known in Linux kernel as 'caam', after its internal block name: Cryptographic Accelerator and Assurance Module.

There are several HW interfaces ("backends") that can be used to communicate (that is submit requests) with the engine, their availability depends on the SoC:

- Register Interface (RI) - available on all SoCs (though access from kernel is restricted on DPAA2 SoCs)
Its main purpose is debugging (For example, single-stepping through descriptor commands), though it is used also for RNG initialization.
- Job Ring Interface (JRI) - legacy interface, available on all SoCs; on most SoCs there are 4 rings
Note: there are cases when fewer rings are accessible / visible in the kernel - For example, when firmware like Trusted Firmware-A (TF-A) reserves one of the rings.
- Queue Interface (QI) - available on SoCs implementing DPAA v1.x (Data Path Acceleration Architecture)
Requests are submitted indirectly via Queue Manager (QMan) HW block that is part of DPAA1.
- Data Path SEC Interface (DPSECI) - available on SoCs implementing DPAA v2.x
Similar to QI, requests are submitted via Queue Manager (QMan) HW block; however, the architecture is different - instead of using the platform bus, the Management Complex (MC) bus is used, MC firmware performing requires configuration to link DP objects. For more details, see "DPAA2 Linux Software" section.

NXP provides device drivers for all these interfaces. Current section is focused on JRI, though some general / common topics are also covered. For QI and DPSECI backends and compatible frontends, refer to the dedicated chapters: for the DPAA1, Security Engine for DPAA2.

On top of these backends, there are the "frontends" - drivers that sit between the Linux Crypto API and backend drivers. Their main tasks are to:

- register supported crypto algorithms
- process crypto requests coming from users (via the Linux Crypto API) and translate them into the proper format understood by the backend being used
- forward the CAAM engine responses from the backend being used to the users

It is obvious that QI and DPSECI backends cannot co-exist (they can be compiled in the same "multi-platform" kernel image, however runtime detection will make sure only the proper one is active). However, JRI + QI and JRI + DPSECI are valid combinations, and both backends will be active if enabled; if a crypto algorithm is supported by both corresponding frontends. For example, both *caamalg* and *caamalg_qi* register `cbc(aes)`, a user requesting `cbc(aes)` will be bound to the implementation having the highest "crypto algorithm priority".

If the user wants to use a specific implementation:

- it is possible to ask for it explicitly by using the specific (unique) "driver name" instead of the generic "algorithm name" - see official Linux kernel Crypto API documentation (section [Crypto API Cipher References And Priority](#)); currently default priorities are: 3000 for JRI frontend and 2000 for QI and DPSECI frontends
- crypto algorithm priority could be changed dynamically using the "Crypto use configuration API" (provided that `CONFIG_CRYPTOP_USER` is enabled); one of the tools available that is capable to do this is "[Linux crypto](#)".

[layer configuration tool](#)" and an example of increasing the priority of QI frontend based implementation of `echainiv(authenc(hmac(sha1),cbc(aes)))` algorithm is:

```
$ ./crconf update driver "echainiv-authenc-hmac-sha1-cbc-aes-caam-qi" type 3
priority 5000
```

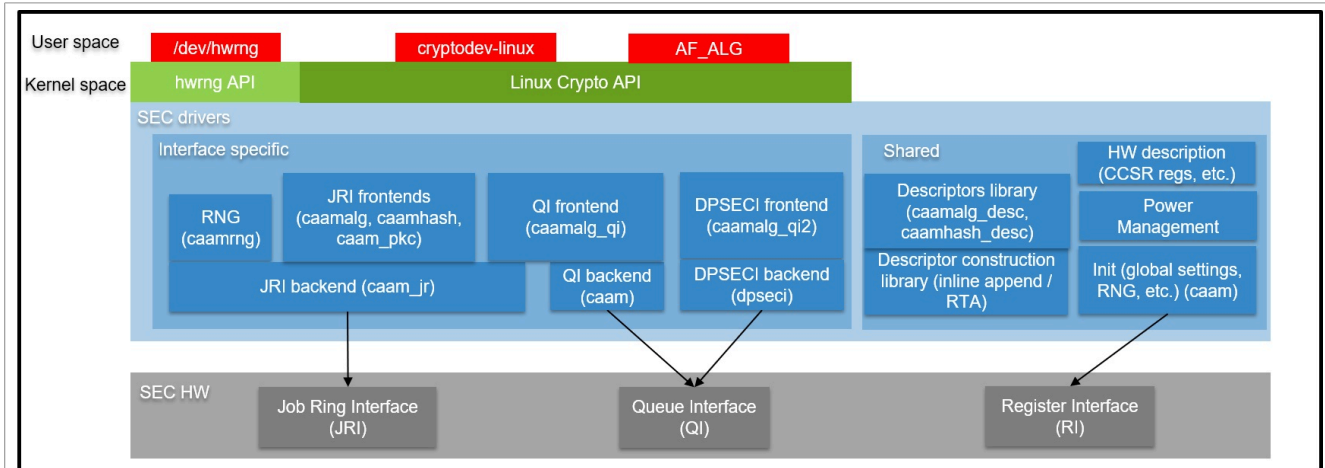


Figure 25. Linux kernel - SEC device drivers overview

6.5.15.2 Source Files

The drivers source code is maintained in the Linux kernel source tree, under `drivers/crypto/caam`. Below is a non-exhaustive list of files, mapping to Security Engine (SEC)(some files have been omitted since their existence is justified only by driver logic / design):

Source File(s)	Description	Module name
ctrl.[c,h]	Init (global settings, RNG, power management, and so on.)	caam
desc.h	HW description (CCSR registers, and so on.)	N/A
desc_constr.h	Inline append - descriptor construction library	N/A
caamalg_desc.[c,h]	(Shared) Descriptors library (symmetric encryption, AEAD)	caamalg_desc
caamrng.c	RNG (runtime)	caamrng
jr.[c,h]	JRI backend	caam_jr
qi.[c,h]	QI backend	caam
dpseci.[c,h], dpseci_cmd.h	DPSECI backend	N/A (built-in)
caamalg.c	JRI frontend (symmetric encryption, AEAD)	caamalg
caamhash.c	JRI frontend (hashing)	caamhash
caampkc.c, pkc_desc.c	JRI frontend (public key cryptography)	caam_pkc
caamalg_qi.c	QI frontend (symmetric encryption, AEAD)	caamalg_qi
caamalg_qi2.[c,h]	DPSECI frontend (symmetric encryption, AEAD)	dpaa2_caam

6.5.15.3 Module loading

CAAM device drivers can be compiled either built-in or as modules (with the exception of DPSECI backend, which is always built in). See [Section 6.5.15.2](#) for the list of module names and [Section 6.5.15.4](#) for how kernel configuration looks like and a mapping between menu entries and modules and / or functionalities enabled.

6.5.15.4 Kernel Configuration

CAAM device drivers are located in the "Cryptographic API" -> "Hardware crypto devices" submenu in the kernel configuration. Depending on the target platform and / or configuration file(s) used, the output will be different; below is an example taken from NXP Layerscape SDK for ARMv8 platforms with default options:

Kernel Configure Tree View Options	Description
<pre> Cryptographic API ---> [*] Hardware crypto devices ---> <*> Freescale CAAM-Multicore platform driver backend (SEC) [] Enable debug output in CAAM driver <*> Freescale CAAM Job Ring driver backend (SEC) (9) Job Ring size [] Job Ring interrupt coalescing <*> Register algorithm implementations with the Crypto API <*> Queue Interface as Crypto API backend <*> Register hash algorithm implementations with Crypto API <*> Register public key cryptography implementations with Crypto API <*> Register caam device for hwrng API <M> QorIQ DPAA2 CAAM (DPSECI) driver </pre>	<p>Enable CAAM device drivers, options:</p> <ul style="list-style-type: none"> • basic platform driver: <i>Freescale CAAM-Multicore platform driver backend (SEC)</i>; all non-DPAA2 suboptions depend on it • backends / interfaces: <ul style="list-style-type: none"> – <i>Freescale CAAM Job Ring driver backend (SEC)</i> - JRI; this also enables QI (QI depends on JRI) – <i>QorIQ DPAA2 CAAM (DPSECI) driver</i> - DPSECI • frontends / crypto algorithms: <ul style="list-style-type: none"> – symmetric encryption, AEAD, "stitched" AEAD, TLS; <i>Register algorithm implementations with the Crypto API</i> - via JRI (<i>caamalg</i> driver) or <i>Queue Interface as Crypto API backend</i> - via QI (<i>caamalg_qi</i> drive) – <i>Register hash algorithm implementations with Crypto API</i> - hashing (only via JRI - <i>caamhash</i> driver) – <i>Register public key cryptography implementations with Crypto API</i> - asymmetric / public key (only via JRI - <i>caam_pkc</i> driver) – <i>Register caam device for hwrng API</i> - HW RNG (only via JRI - <i>caamrng</i> driver) – <i>QorIQ DPAA2 CAAM (DPSECI) driver</i> - DPSECI • options: debugging, JRI ring size, JRI interrupt coalescing
<pre> Networking support ---> Network option ---> <*> TCP/IP networking <*> IP: AH transformation <*> IP: ESP transformation <*> IP: IPsec transport mode <*> IP: IPsec tunnel mode </pre>	<p>For IPsec support the TCP/IP networking option and corresponding suboptions should be enabled.</p>

6.5.15.5 Device Tree binding

Property	Type	Status	Description
compatible	String	Required	fsl,sec-vX.Y (preferred) OR fsl,secX.Y

6.5.15.6 Sample Device Tree crypto node

```
crypto@30000 {
    compatible = "fsl,sec-v4.0";
    fsl,sec-era = <2>;
    #address-cells = <1>;
    #size-cells = <1>;
    reg = <0x300000 0x10000>;
    ranges = <0 0x300000 0x10000>;
    interrupt-parent = <&mpic>;
    interrupts = <92 2>;
    clocks = <&clks IMX6QDL_CLK_CAAM_MEM>,
            <&clks IMX6QDL_CLK_CAAM_ACLK>,
            <&clks IMX6QDL_CLK_CAAM_IPG>,
            <&clks IMX6QDL_CLK_EIM_SLOW>;
    clock-names = "mem", "aclk", "ipg", "emi_slow";
};
```

Note: See `linux/Documentation/devicetree/bindings/crypto/fsl-sec4.txt` file in the Linux kernel tree for more info.

6.5.15.7 How to test the drivers

To test the drivers, under the "Cryptographic API -> Cryptographic algorithm manager" kernel configuration submenu, ensure that runtime self-tests are not disabled, that is the "Disable run-time self tests" entry is not set. (`CONFIG_CRYPTOMANAGER_DISABLE_TESTS=n`). This will run standard test vectors against the drivers after they register supported algorithms with the kernel crypto API, usually at boot time. Then run test on the target system. Below is a snippet extracted from the boot log of ARMv8-based LS1046A platform, with JRI and QI enabled:

```
[...]
platform caam_qi: Linux CAAM Queue I/F driver initialised
caam 1700000.crypto: Instantiated RNG4 SH1
caam 1700000.crypto: device ID = 0x0a11030100000000 (Era 8)
caam 1700000.crypto: job rings = 4, qi = 1, dpaa2 = no
alg: No test for authenc(hmac(sha224),ecb(cipher_null)) (authenc-hmac-sha224-ecb-cipher_null-caam)
alg: No test for authenc(hmac(sha256),ecb(cipher_null)) (authenc-hmac-sha256-ecb-cipher_null-caam)
alg: No test for authenc(hmac(sha384),ecb(cipher_null)) (authenc-hmac-sha384-ecb-cipher_null-caam)
alg: No test for authenc(hmac(sha512),ecb(cipher_null)) (authenc-hmac-sha512-ecb-cipher_null-caam)
alg: No test for authenc(hmac(md5),cbc(aes)) (authenc-hmac-md5-cbc-aes-caam)
alg: No test for echainiv(authenc(hmac(md5),cbc(aes))) (echainiv-authenc-hmac-md5-cbc-aes-caam)
alg: No test for echainiv(authenc(hmac(sha1),cbc(aes))) (echainiv-authenc-hmac-sha1-cbc-aes-caam)
alg: No test for authenc(hmac(sha224),cbc(aes)) (authenc-hmac-sha224-cbc-aes-caam)
alg: No test for echainiv(authenc(hmac(sha224),cbc(aes))) (echainiv-authenc-hmac-sha224-cbc-aes-caam)
alg: No test for echainiv(authenc(hmac(sha256),cbc(aes))) (echainiv-authenc-hmac-sha256-cbc-aes-caam)
alg: No test for authenc(hmac(sha384),cbc(aes)) (authenc-hmac-sha384-cbc-aes-caam)
alg: No test for echainiv(authenc(hmac(sha384),cbc(aes))) (echainiv-authenc-hmac-sha384-cbc-aes-caam)
```

```

alg: No test for echainiv(authenc(hmac(sha512),cbc(aes))) (echainiv-authenc-
hmac-sha512-cbc-aes-caam)
alg: No test for authenc(hmac(md5),cbc(des3_ede)) (authenc-hmac-md5-cbc-
des3_ede-caam)
alg: No test for echainiv(authenc(hmac(md5),cbc(des3_ede))) (echainiv-authenc-
hmac-md5-cbc-des3_ede-caam)
alg: No test for echainiv(authenc(hmac(sha1),cbc(des3_ede))) (echainiv-authenc-
hmac-sha1-cbc-des3_ede-caam)
alg: No test for echainiv(authenc(hmac(sha224),cbc(des3_ede))) (echainiv-
authenc-hmac-sha224-cbc-des3_ede-caam)
alg: No test for echainiv(authenc(hmac(sha256),cbc(des3_ede))) (echainiv-
authenc-hmac-sha256-cbc-des3_ede-caam)
alg: No test for echainiv(authenc(hmac(sha384),cbc(des3_ede))) (echainiv-
authenc-hmac-sha384-cbc-des3_ede-caam)
alg: No test for echainiv(authenc(hmac(sha512),cbc(des3_ede))) (echainiv-
authenc-hmac-sha512-cbc-des3_ede-caam)
alg: No test for authenc(hmac(md5),cbc(des)) (authenc-hmac-md5-cbc-des-caam)
alg: No test for echainiv(authenc(hmac(md5),cbc(des))) (echainiv-authenc-hmac-
md5-cbc-des-caam)
alg: No test for echainiv(authenc(hmac(sha1),cbc(des))) (echainiv-authenc-hmac-
sha1-cbc-des-caam)
alg: No test for echainiv(authenc(hmac(sha224),cbc(des))) (echainiv-authenc-
hmac-sha224-cbc-des-caam)
alg: No test for echainiv(authenc(hmac(sha256),cbc(des))) (echainiv-authenc-
hmac-sha256-cbc-des-caam)
alg: No test for echainiv(authenc(hmac(sha384),cbc(des))) (echainiv-authenc-
hmac-sha384-cbc-des-caam)
alg: No test for echainiv(authenc(hmac(sha512),cbc(des))) (echainiv-authenc-
hmac-sha512-cbc-des-caam)
alg: No test for authenc(hmac(md5),rfc3686(ctr(aes))) (authenc-hmac-md5-rfc3686-
ctr-aes-caam)
alg: No test for seqiv(authenc(hmac(md5),rfc3686(ctr(aes)))) (seqiv-authenc-
hmac-md5-rfc3686-ctr-aes-caam)
alg: No test for authenc(hmac(sha1),rfc3686(ctr(aes))) (authenc-hmac-sha1-
rfc3686-ctr-aes-caam)
alg: No test for seqiv(authenc(hmac(sha1),rfc3686(ctr(aes)))) (seqiv-authenc-
hmac-sha1-rfc3686-ctr-aes-caam)
alg: No test for authenc(hmac(sha224),rfc3686(ctr(aes))) (authenc-hmac-sha224-
rfc3686-ctr-aes-caam)
alg: No test for seqiv(authenc(hmac(sha224),rfc3686(ctr(aes)))) (seqiv-authenc-
hmac-sha224-rfc3686-ctr-aes-caam)
alg: No test for authenc(hmac(sha256),rfc3686(ctr(aes))) (authenc-hmac-sha256-
rfc3686-ctr-aes-caam)
alg: No test for seqiv(authenc(hmac(sha256),rfc3686(ctr(aes)))) (seqiv-authenc-
hmac-sha256-rfc3686-ctr-aes-caam)
alg: No test for authenc(hmac(sha384),rfc3686(ctr(aes))) (authenc-hmac-sha384-
rfc3686-ctr-aes-caam)
alg: No test for seqiv(authenc(hmac(sha384),rfc3686(ctr(aes)))) (seqiv-authenc-
hmac-sha384-rfc3686-ctr-aes-caam)
alg: No test for authenc(hmac(sha512),rfc3686(ctr(aes))) (authenc-hmac-sha512-
rfc3686-ctr-aes-caam)
alg: No test for seqiv(authenc(hmac(sha512),rfc3686(ctr(aes)))) (seqiv-authenc-
hmac-sha512-rfc3686-ctr-aes-caam)
caam algorithms registered in /proc/crypto
alg: No test for authenc(hmac(md5),cbc(aes)) (authenc-hmac-md5-cbc-aes-caam-qi)
alg: No test for echainiv(authenc(hmac(md5),cbc(aes))) (echainiv-authenc-hmac-
md5-cbc-aes-caam-qi)
alg: No test for echainiv(authenc(hmac(sha1),cbc(aes))) (echainiv-authenc-hmac-
sha1-cbc-aes-caam-qi)

```

```

alg: No test for authenc(hmac(sha224),cbc(aes)) (authenc-hmac-sha224-cbc-aes-
caam-qi)
alg: No test for echainiv(authenc(hmac(sha224),cbc(aes))) (echainiv-authenc-
hmac-sha224-cbc-aes-caam-qi)
alg: No test for echainiv(authenc(hmac(sha256),cbc(aes))) (echainiv-authenc-
hmac-sha256-cbc-aes-caam-qi)
alg: No test for authenc(hmac(sha384),cbc(aes)) (authenc-hmac-sha384-cbc-aes-
caam-qi)
alg: No test for echainiv(authenc(hmac(sha384),cbc(aes))) (echainiv-authenc-
hmac-sha384-cbc-aes-caam-qi)
alg: No test for echainiv(authenc(hmac(sha512),cbc(aes))) (echainiv-authenc-
hmac-sha512-cbc-aes-caam-qi)
alg: No test for authenc(hmac(md5),cbc(des3_ede)) (authenc-hmac-md5-cbc-
des3_ede-caam-qi)
alg: No test for echainiv(authenc(hmac(md5),cbc(des3_ede))) (echainiv-authenc-
hmac-md5-cbc-des3_ede-caam-qi)
alg: No test for echainiv(authenc(hmac(sha1),cbc(des3_ede))) (echainiv-authenc-
hmac-sha1-cbc-des3_ede-caam-qi)
alg: No test for echainiv(authenc(hmac(sha224),cbc(des3_ede))) (echainiv-
authenc-hmac-sha224-cbc-des3_ede-caam-qi)
alg: No test for echainiv(authenc(hmac(sha256),cbc(des3_ede))) (echainiv-
authenc-hmac-sha256-cbc-des3_ede-caam-qi)
alg: No test for echainiv(authenc(hmac(sha384),cbc(des3_ede))) (echainiv-
authenc-hmac-sha384-cbc-des3_ede-caam-qi)
alg: No test for echainiv(authenc(hmac(sha512),cbc(des3_ede))) (echainiv-
authenc-hmac-sha512-cbc-des3_ede-caam-qi)
alg: No test for authenc(hmac(md5),cbc(des)) (authenc-hmac-md5-cbc-des-caam-qi)
alg: No test for echainiv(authenc(hmac(md5),cbc(des))) (echainiv-authenc-hmac-
md5-cbc-des-caam-qi)
alg: No test for echainiv(authenc(hmac(sha1),cbc(des))) (echainiv-authenc-hmac-
sha1-cbc-des-caam-qi)
alg: No test for echainiv(authenc(hmac(sha224),cbc(des))) (echainiv-authenc-
hmac-sha224-cbc-des-caam-qi)
alg: No test for echainiv(authenc(hmac(sha256),cbc(des))) (echainiv-authenc-
hmac-sha256-cbc-des-caam-qi)
alg: No test for echainiv(authenc(hmac(sha384),cbc(des))) (echainiv-authenc-
hmac-sha384-cbc-des-caam-qi)
alg: No test for echainiv(authenc(hmac(sha512),cbc(des))) (echainiv-authenc-
hmac-sha512-cbc-des-caam-qi)
platform caam_qi: algorithms registered in /proc/crypto
caam_jr 1710000.jr: registering rng-caam
caam 1700000.crypto: caam pkc algorithms registered in /proc/crypto
[...]

```

6.5.15.8 Crypto algorithms support

Algorithms Supported in the linux kernel scatterlist Crypto API

The Linux kernel contains various users of the Scatterlist Crypto API, including its IPsec implementation, sometimes referred to as the NETKEY stack. The driver, after registering supported algorithms with the Crypto API, is therefore used to process per-packet symmetric crypto requests and forward them to the SEC hardware.

Since SEC hardware processes requests asynchronously, the driver registers asynchronous algorithm implementations with the crypto API: ahash, ablkcipher, and aead with CRYPTO_ALG_ASYNC set in .cra_flags.

Different combinations of hardware and driver software version support different sets of algorithms, so searching for the driver name in /proc/crypto on the desired target system will ensure the correct report of what algorithms are supported.

Authenticated Encryption with Associated Data (AEAD) algorithms

These algorithms are used in applications where the data to be encrypted overlaps, or partially overlaps, the data to be authenticated, as is the case with IPsec and TLS protocols. These algorithms are implemented in the driver such that the hardware makes a single pass over the input data, and both encryption and authentication data are written out simultaneously. The AEAD algorithms are mainly for use with IPsec ESP (however there is also support for TLS 1.0 record layer encryption).

CAAM drivers currently support offloading the following AEAD algorithms:

- "stitched" AEAD: all combinations of { NULL, CBC-AES, CBC-DES, CBC-3DES-EDE, RFC3686-CTR-AES } x HMAC-{MD-5, SHA-1,-224,-256,-384,-512}
- "true" AEAD: generic GCM-AES, GCM-AES used in IPsec: RFC4543-GCM-AES and RFC4106-GCM-AES
- TLS 1.0 record layer encryption using the "stitched" AEAD cipher suite CBC-AES-HMAC-SHA1

Encryption algorithms

The CAAM driver currently supports offloading the following encryption algorithms.

Authentication algorithms

The CAAM driver's ahash support includes keyed (hmac) and unkeyed hashing algorithms.

Asymmetric (public key) algorithms

Currently, RSA is the only public key algorithm supported.

Random Number Generation

caamrng frontend driver supports random number generation services via the kernel's built-in hwrng interface when implemented in hardware. To enable:

1. verify that the hardware random device file, For example, /dev/hwrng or /dev/hwrandom exists. If it does not exist, make it with:

```
$ mknod /dev/hwrng c 10 183
```

2. verify /dev/hwrng does not block indefinitely and produces random data:

```
$ rngtest -C 1000 < /dev/hwrng
```

3. verify the kernel gets entropy:

```
$ rngtest -C 1000 < /dev/random
```

If it blocks, a kernel entropy supplier daemon, such as rngd, may need to be run. See linux/Documentation/hw_random.txt for more info.

Table 49. Algorithms supported by each interface / backend

Algorithm name / Backend	Job Ring Interface	Queue Interface	DPSEC Interface
rsa	Yes	No	No
pkcs1pad(rsa, sha*)	Yes	No	No
tls10(hmac(sha1), cbc(aes))	No	Yes	Yes
authenc(hmac(md5), cbc(aes))	Yes (also echainiv)	Yes (also echainiv)	Yes (also echainiv)
authenc(hmac(sha1), cbc(aes))	Yes (also echainiv)	Yes (also echainiv)	Yes (also echainiv)
authenc(hmac(sha224), cbc(aes))	Yes (also echainiv)	Yes (also echainiv)	Yes (also echainiv)
authenc(hmac(sha256), cbc(aes))	Yes (also echainiv)	Yes (also echainiv)	Yes (also echainiv)
authenc(hmac(sha384), cbc(aes))	Yes (also echainiv)	Yes (also echainiv)	Yes (also echainiv)
authenc(hmac(sha512), cbc(aes))	Yes (also echainiv)	Yes (also echainiv)	Yes (also echainiv)

Table 49. Algorithms supported by each interface / backend...continued

Algorithm name / Backend	Job Ring Interface	Queue Interface	DPSEC Interface
authenc(hmac(md5), cbc(des3_ede))	Yes (also echainiv)	Yes (also echainiv)	Yes (also echainiv)
authenc(hmac(sha1), cbc(des3_ede))	Yes (also echainiv)	Yes (also echainiv)	Yes (also echainiv)
authenc(hmac(sha224), cbc(des3_ede))	Yes (also echainiv)	Yes (also echainiv)	Yes (also echainiv)
authenc(hmac(sha256), cbc(des3_ede))	Yes (also echainiv)	Yes (also echainiv)	Yes (also echainiv)
authenc(hmac(sha384), cbc(des3_ede))	Yes (also echainiv)	Yes (also echainiv)	Yes (also echainiv)
authenc(hmac(sha512), cbc(des3_ede))	Yes (also echainiv)	Yes (also echainiv)	Yes (also echainiv)
authenc(hmac(md5), cbc(des))	Yes (also echainiv)	Yes (also echainiv)	Yes (also echainiv)
authenc(hmac(sha1), cbc(des))	Yes (also echainiv)	Yes (also echainiv)	Yes (also echainiv)
authenc(hmac(sha224), cbc(des))	Yes (also echainiv)	Yes (also echainiv)	Yes (also echainiv)
authenc(hmac(sha256), cbc(des))	Yes (also echainiv)	Yes (also echainiv)	Yes (also echainiv)
authenc(hmac(sha384), cbc(des))	Yes (also echainiv)	Yes (also echainiv)	Yes (also echainiv)
authenc(hmac(sha512), cbc(des))	Yes (also echainiv)	Yes (also echainiv)	Yes (also echainiv)
authenc(hmac(md5), rfc3686(ctr(aes)))	Yes (also seqiv)	Yes (also seqiv)	Yes (also seqiv)
authenc(hmac(sha1), rfc3686(ctr(aes)))	Yes (also seqiv)	Yes (also seqiv)	Yes (also seqiv)
authenc(hmac(sha224), rfc3686(ctr(aes)))	Yes (also seqiv)	Yes (also seqiv)	Yes (also seqiv)
authenc(hmac(sha256), rfc3686(ctr(aes)))	Yes (also seqiv)	Yes (also seqiv)	Yes (also seqiv)
authenc(hmac(sha384), rfc3686(ctr(aes)))	Yes (also seqiv)	Yes (also seqiv)	Yes (also seqiv)
authenc(hmac(sha512), rfc3686(ctr(aes)))	Yes (also seqiv)	Yes (also seqiv)	Yes (also seqiv)
authenc(hmac(md5), ecb(cipher_null))	Yes	No	No
authenc(hmac(sha1), ecb(cipher_null))	Yes	No	No
authenc(hmac(sha224), ecb(cipher_null))	Yes	No	No
authenc(hmac(sha256), ecb(cipher_null))	Yes	No	No
authenc(hmac(sha384), ecb(cipher_null))	Yes	No	No
authenc(hmac(sha512), ecb(cipher_null))	Yes	No	No
rfc7539(chacha20, poly1305)	Yes (LX2160A only)	No	Yes (LX2160A only)
rfc7539esp(chacha20, poly1305)	Yes (LX2160A only)	No	Yes (LX2160A only)
gcm(aes)	Yes	Yes	Yes
rfc4543(gcm(aes))	Yes	Yes	Yes
rfc4106(gcm(aes))	Yes	Yes	Yes
ecb(aes)	Yes	No	No
ecb(des3_ede)	Yes	No	No
ecb(des)	Yes	No	No
ecb(arc4)	Yes	No	No
cbc(aes)	Yes	Yes	Yes
cbc(des3_ede)	Yes	Yes	Yes
cbc(des)	Yes	Yes	Yes

Table 49. Algorithms supported by each interface / backend...continued

Algorithm name / Backend	Job Ring Interface	Queue Interface	DPSEC Interface
ctr(aes)	Yes	Yes	Yes
rfc3686(ctr(aes))	Yes	Yes	Yes
chacha20	No	No	Yes (LX2160A only)
xts(aes)	Yes	Yes	Yes
cmac(aes)	Yes	No	No
xcbc(aes)	Yes	No	No
hmac(md5)	Yes	No	Yes
hmac(sha1)	Yes	No	Yes
hmac(sha224)	Yes	No	Yes
hmac(sha256)	Yes	No	Yes
hmac(sha384)	Yes	No	Yes
hmac(sha512)	Yes	No	Yes
md5	Yes	No	Yes
sha1	Yes	No	Yes
sha224	Yes	No	Yes
sha256	Yes	No	Yes
sha384	Yes	No	Yes
sha512	Yes	No	Yes

6.5.15.9 CAAM Job Ring backend driver specifics

CAAM Job Ring backend driver (*caam_jr*) implements and utilizes the job ring interface (JRI) for submitting crypto API service requests from the frontend drivers (*caamalg*, *caamhash*, *caam_pkc*, *caamrng*) to CAAM engine.

CAAM drivers have a few options, most notably hardware job ring size and interrupt coalescing. They can be used to fine-tune performance for a particular use case.

The option *Freescale CAAM-Multicore platform driver backend* enables the basic platform driver (*caam*). All (non-DPAA2) suboptions depend on this.

The option *Freescale CAAM Job Ring driver backend (SEC)* enables the Job Ring backend (*caam_jr*).

The suboption *Job Ring Size* allows the user to select the size of the hardware job rings; if requests arrive at the driver enqueue entry point in a bursty nature, the bursts' maximum length can be approximated, and so on. One can set the greatest burst length to save performance and memory consumption.

The suboption *Job Ring interrupt coalescing* allows the user to select the use of the hardware's interrupt coalescing feature. Note that the driver already performs IRQ coalescing in software, and zero-loss benchmarks have in fact produced better results with this option turned off. If selected, two additional options become effective:

- *Job Ring interrupt coalescing count threshold* (CRYPTO_DEV_FSL_CAAM_INTC_THLD)
Selects the value of the descriptor completion threshold, in the range 1-256. A selection of 1 effectively defeats the coalescing feature, and any selection equal or greater than the selected ring size will force timeouts for each interrupt.
- *Job Ring interrupt coalescing timer threshold* (CRYPTO_DEV_FSL_CAAM_INTC_TIME_THLD)

Selects the value of the completion timeout threshold in multiples of 64 SEC interface clocks, to which, if no new descriptor completions occur within this window (and at least one completed job is pending), then an interrupt will occur. This is selectable in the range 1-65535.

The options to register to Crypto API, hwrng API respectively, allow the frontend drivers to register their algorithm capabilities with the corresponding APIs. They should be deselected only when the purpose is to perform Crypto API requests in software (on the GPPs) instead of offloading them on SEC engine.

caamhash frontend (hash algorithms) may be individually turned off, since the nature of the application may be such that it prefers software (core) crypto latency due to many small-sized requests.

caam_pkc frontend (public key / asymmetric algorithms) can be turned off too, if needed.

caamrng frontend (Random Number Generation) may be turned off in case there is an alternate source of entropy available to the kernel.

6.5.15.10 Verifying driver operation and correctness

Other than noting the performance advantages due to the crypto offload, one can also ensure the hardware is doing the crypto by looking for driver messages in `dmesg`.

The driver emits console messages at initialization time:

```
caam algorithms registered in /proc/crypto
caam_jr 1710000.jr: registering rng-caam
caam_1700000.crypto: caam pkc algorithms registered in /proc/crypto
```

If the messages are not present in the logs, either the driver is not configured in the kernel, or no SEC compatible device tree node is present in the device tree.

6.5.15.11 Incrementing IRQs in /proc/interrupts

Given a time period when crypto requests are being made, the SEC hardware will fire completion notification interrupts on the corresponding Job Ring:

```
$ cat /proc/interrupts | grep jr
      CPU0  CPU1  CPU2  CPU3
[... ]
78:    1007      0      0      0   GICv2 103 Level   1710000.jr
79:      7      0      0      0   GICv2 104 Level   1720000.jr
80:      0      0      0      0   GICv2 105 Level   1730000.jr
81:      0      0      0      0   GICv2 106 Level   1740000.jr
```

If the number of interrupts fired increment, then the hardware is being used to do the crypto.

If the numbers do not increment, then first check the algorithm being exercised is supported by the driver. If the algorithm is supported, there is a possibility that the driver is in polling mode (NAPI mechanism) and the hardware statistics in debugfs (inbound / outbound bytes encrypted / protected - see below) should be monitored.

6.5.15.12 Verifying the 'self test' fields say 'passed' in /proc/crypto

An entry such as the one below means the driver has successfully registered support for the algorithm with the kernel crypto API:

```
name : cbc(aes) driver : cbc-aes-caam module : kernel priority : 3000 refcnt : 1
selftest : passed internal : no type : givcipher async : yes blocksize : 16 min
keysize : 16 max keysize : 32 ivsize : 16 geniv : <built-in>
```


Note that although a test vector may not exist for a particular algorithm supported by the driver, the kernel will emit messages saying which algorithms weren't tested, and mark them as 'passed' anyway:

```
[...]
alg: No test for authenc(hmac(sha224),ecb(cipher_null)) (authenc-hmac-sha224-ecb-cipher_null-caam)
alg: No test for authenc(hmac(sha256),ecb(cipher_null)) (authenc-hmac-sha256-ecb-cipher_null-caam)
[...]
alg: No test for authenc(hmac(md5),cbc(aes)) (authenc-hmac-md5-cbc-aes-caam)
alg: No test for echainiv(authenc(hmac(md5),cbc(aes))) (echainiv-authenc-hmac-md5-cbc-aes-caam)
alg: No test for echainiv(authenc(hmac(sha1),cbc(aes))) (echainiv-authenc-hmac-sha1-cbc-aes-caam)
[...]
alg: No test for authenc(hmac(sha512),rfc3686(ctr(aes))) (authenc-hmac-sha512-rfc3686-ctr-aes-caam)
alg: No test for seqiv(authenc(hmac(sha512),rfc3686(ctr(aes)))) (seqiv-authenc-hmac-sha512-rfc3686-ctr-aes-caam)
[...]
```

6.5.15.13 Examining the hardware statistics registers in debugfs

When using the JRI or QI backend, performance monitor registers can be checked, provided CONFIG_DEBUG_FS is enabled in the kernel's configuration. If debugfs is not automatically mounted at boot time, then a manual mount must be performed in order to view these registers. This normally can be done with a superuser shell command:

```
$ mount -t debugfs none /sys/kernel/debug
```

Once done, the user can read controller registers in /sys/kernel/debug/1700000.crypto/ctl. It should be noted that debugfs will provide a decimal integer view of most accessible registers provided, with the exception of the KEK/TDSK/TKEK registers; those registers are long binary arrays, and should be filtered through a binary dump utility such as hexdump.

Specifically, the CAAM hardware statistics registers available are:

fault_addr, or FAR (Fault Address Register): holds the value of the physical address where a read or write error occurred.

fault_detail, or FADR (Fault Address Detail Register): holds details regarding the bus transaction where the error occurred.

fault_status, or CSTA (CAAM Status Register): holds status information relevant to the entire CAAM block.

ib_bytes_decrypted: holds contents of PC_IB_DECRYPT (Performance Counter Inbound Bytes Decrypted Register)

ib_bytes_validated: holds contents of PC_IB_VALIDATED (Performance Counter Inbound Bytes Validated Register)

ib_rq_decrypted: holds contents of PC_IB_DEC_REQ (Performance Counter Inbound Decrypt Requests Register)

kek: holds contents of JDKEKR (Job Descriptor Key Encryption Key Register)

ob_bytes_encrypted: holds contents of PC_OB_ENCRYPT (Performance Counter Outbound Bytes Encrypted Register)

`ob_bytes_protected`: holds contents of PC_OB_PROTECT (Performance Counter Outbound Bytes Protected Register)

`ob_rq_encrypted`: holds contents of PC_OB_ENC_REQ (Performance Counter Outbound Encrypt Requests Register)

`rq_dequeued`: holds contents of PC_REQ_DEQ (Performance Counter Requests Dequeued Register)

`tdsk`: holds contents of TDKEKR (Trusted Descriptor Key Encryption Key Register)

`tkek`: holds contents of TDSKR (Trusted Descriptor Signing Key Register)

For more information see section "Performance Counter, Fault and Version ID Registers" in the Security (SEC) Reference Manual (SECRM) of each SoC (available on company's website).

Note: for QI backend there is also `qi_congested`: SW-based counter that shows how many times queues going to / from CAAM to QMan hit the congestion threshold.

6.5.15.14 Kernel configuration to support CAAM device drivers

Using the driver

Once enabled, the driver will forward kernel crypto API requests to the SEC hardware for processing.

Running IPsec

The IPsec stack built in to the kernel (usually called NETKEY) will automatically use crypto drivers to offload crypto operations to the SEC hardware. Documentation regarding how to set up an IPsec tunnel can be found in corresponding open source IPsec suite packages, For example, strongswan.org, openswan, setkey, and so on. DPAA2-specific section contains a generic helper script to configure IPsec tunnels.

Running OpenSSL

See Hardware Offloading with OpenSSL for more details on how to offload OpenSSL cryptographic operations in the SEC crypto engine (via cryptodev).

Executing custom descriptors

SEC drivers have public descriptor submission interfaces corresponding to the following backends:

- JRI: `drivers/crypto/caam/jr.c:caam_jr_enqueue()`
- QI: `drivers/crypto/caam/qi.c:caam_qi_enqueue()`
- DPSECI: `drivers/crypto/caam/caamalg_qi2.c:dpaa2_caam_enqueue()`

`caam_jr_enqueue()`

Name

`caam_jr_enqueue` — Enqueue a job descriptor head. Returns 0 if OK, -EBUSY if the ring is full, -EIO if it cannot map the caller's descriptor.

Synopsis

```
int caam_jr_enqueue (struct device *dev, u32 *desc,
    void (*cbk) (struct device *dev, u32 *desc, u32 status, void *areq),
    void *areq);
```

Arguments

`dev`: contains the job ring device that is to process this request.

`desc`: descriptor that initiated the request, same as "desc" being argued to `caam_jr_enqueue`.

cbk: pointer to a callback function to be invoked upon completion of this request. This has the form: `callback(struct device *dev, u32 *desc, u32 stat, void *arg)`

areq: optional pointer to a user argument for use at callback time.

caam_qi_enqueue()

Name

caam_qi_enqueue — Enqueue a frame descriptor (FD) into a QMan frame queue. Returns 0 if OK, -EIO if it cannot map the caller's S/G array, -EBUSY if QMan driver fails to enqueue the FD for some reason.

Synopsis

```
int caam_qi_enqueue(struct device *qidev, struct caam_drv_req *req);
```

Arguments

qidev: contains the queue interface device that is to process this request.

req: pointer to the request structure the driver application should fill while submitting a job to driver, containing a callback function and its parameter, Queue Manager S/Gs for input and output, a per-context structure containing the CAAM shared descriptor, and so on.

dpaa2_caam_enqueue()

Name

dpaa2_caam_enqueue — Enqueue a frame descriptor (FD) into a QMan frame queue. Returns 0 if OK, -EBUSY if QMan driver fails to enqueue the FD for some reason or if congestion is detected.

Synopsis

```
int dpaa2_caam_enqueue(struct device *dev, struct caam_request *req);
```

Arguments

dev: DPSECI device.

req: pointer to the request structure the driver application should fill while submitting a job to driver, containing a callback function and its parameter, Queue Manager S/Gs for input and output, a per-context structure containing the CAAM shared descriptor, and so on.

Refer to the source code for usage examples.

6.5.15.15 Supporting Documentation

DPAA1-specific Software: [Section 7.2.7](#)

DPAA2-specific Software: [Section 7.3.2.6](#)

6.5.16 Time Division Multiplexing (TDM)

6.5.16.1 Description

Time Division Multiplexing (TDM) is a type of digital or analog multiplexing in which two or more signals or bit streams are transferred apparently simultaneously as subchannels in one communication channel, but are physically taking turns on the channel. The time domain is divided into several recurrent timeslots of fixed length, one for each subchannel. A sample byte or data block of subchannel 1 is transmitted during timeslot 1, subchannel 2 during timeslot 2, and so on. One TDM frame consists of one timeslot per subchannel. After the

last subchannel the cycle starts all over again with a new frame, starting with the second sample, byte or data block from subchannel 1, and so on.

TDM or Time Division Multiplexing is an essential component to run VoIP applications on NXP Platforms. Its function is to receive and send time division multiplexed voice samples on the physical TDM lines.

This document explains the procedure to test the TDM on FSL MPC85xx platforms.

The test procedure shows the method to run a small TDM demo application which transfers voice from one TDM channel to the other.

The overall TDM software stack and the data flow is depicted below. On the top, is a generic TDM framework layer which can ideally integrate with any TDM driver beneath it.

Generally NXP platforms offer two types of TDM interfaces:

1. NXP TDM
2. QE based TDM

This manual specifically talks about NXP TDM

6.5.16.2 U-Boot Configuration

Compile-time options

Check the platform-specific document to check if any specific U-Boot configuration is required for TDM feature.

Also ensure if there is any requirement from pin mux perspective to enable TDM.

Runtime options

Refer to platform-specific document for any specific hwconfig or environment variables which may be required for TDM functionality.

Also the FXS ports location will be mentioned in the platform-specific document.

6.5.16.3 Kernel Configure Options

Tree View

Below are the configure options need to be set/unset while doing "make menuconfig" for kernel

Kernel Configure Tree view options	Description
<pre> Device Drivers ---> <*> TDM support ---> --- TDM support [] TDM Core debugging messages (NEW) <M> TDM test Module TDM Device support ---> <*> Driver for Freescale TDM controller Line Control Devices ---> <*> Zarlink Slic intialization Module </pre>	<p>Enable TDM Framework</p> <p>Enable TDM test as Module</p> <p>Enable TDM driver</p> <p>Enable SLIC driver</p>

Identifier

Below are the configure identifiers which are used in kernel source code and default configuration files.

Option	Value	Default value in BSP	Description
CONFIG_TDM	y/n/m	N	Enable / Disable TDM Framework support
CONFIG_TDM_FSL	y/n/m	N	Enable / Disable TDM driver, depends on TDM framework and CONFIG_FSL_SOC
CONFIG_SLIC_ZARLINK	y/n/m	N	Enable / Disable SLIC driver , depends on TDM driver and TDM framework, and CONFIG_FSL_ESPI
CONFIG_TDM_TEST	y/n/m	N	Enable / disable TDM test module

Option	Value	Default value in BSP	Description
CONFIG_TDM	y/n/m	N	Enable / Disable TDM Framework support
CONFIG_TDM_FSL	y/n/m	N	Enable / Disable TDM driver, depends on TDM framework and CONFIG_FSL_SOC
CONFIG_SLIC_ZARLINK	y/n/m	N	Enable / Disable SLIC driver , depends on TDM driver and TDM framework, and CONFIG_FSL_ESPI
CONFIG_TDM_TEST	y/n/m	N	Enable / disable TDM test module

6.5.16.4 Device Tree Binding

Below is the definition of the device tree node required by this feature

TDM device dts entries.(as many entries as the number of TDM controllers on the platform)

Property	Type	Status	Description
compatible = "fsl,tdm1.0";	<string>		Should contain "fsl,tdm1.0"
reg = <0x16000 0x200 0x2c000 0x2000>;	<tdm-reg-offset tdm-reg-size dmac-reg-offset dmac-reg-size>		Offset and length of the register set for the NXP TDM and TDM-DMAC
interrupts = <16 8 62 8>;	<tdm-err-intr tdm-err-intr-type dmac-intr dmac-intr-type>		Defines two interrupt specifiers namely interrupt + number and interrupt type for TDM error and TDM DMAC
fsl-max-time-slots = <128>	<u32>		Maximum number of 8-bit time slots in one TDM frame that hardware supports.

SLIC device dts entries (As many entries as the number of SLICs on the platform)

Note that the below mentioned SLIC entry is for the Legerity SLIC which is connected to the chip through SPI interface.

Property	Type	Status	Description
compatible = "zarlink,le88266";			Should be "zarlink,le88266"
reg = <1>;			Chip select number of the SPI bus SLIC is connected to
spi-max-frequency = <8000000>;			The maximum frequency the SLIC can operate at.

Below is an example device tree node required by this feature. Note that it may have differences among platforms.

```

tdm@16000 {
    compatible = "fsl,tdm1.0";
    reg = <0x16000 0x200 0x2c000 0x2000>;
    clock-frequency = <0>;
    interrupts = <16 8 62 8>;
    phy-handle = <zarlink1>
    fsl-max-time-slots = <128>
};
spi@7000 {
    cell-index = <0>;
    #address-cells = <1>;
    #size-cells = <0>;
    compatible = "fsl,espi";
    reg = <0x7000 0x1000>;
    interrupts = <59 0x2>;
    interrupt-parent = <&mpic>;
    mode = "cpu";
    .....
    .....
    .....
    legerity@0{
        compatible = "zarlink,le88266";
        reg = <1>;
        spi-max-frequency = <8000000>;
    };
    legerity@1{
        compatible = "zarlink,le88266";
        reg = <2>;
        spi-max-frequency = <8000000>;
    };
};
};

```

6.5.16.5 Source Files

The following source files are related to this feature in Linux kernel.

Source file	Purpose
include/linux/tdm.h	Header file for TDM framework
drivers/tdm/tdm-core.c	Source file for TDM framework
drivers/tdm/device/tdm_fsl.h	Header file for TDM driver
drivers/tdm/device/tdm_fsl.c	Source file for TDM driver
drivers/tdm/line_ctrl/slic_zarlink.h	Header file for SLIC driver
drivers/tdm/line_ctrl/slic_zarlink.c	Source file for SLIC driver

Source file	Purpose
drivers/tdm/test/tdm_test.c	Source file for TDM test module

6.5.16.6 Verification in U-Boot

N/A

6.5.16.7 Verification in Linux

1. Attach two analog phones at the two FXS ports of the board. (In case there are two SLIC devices there would be 4 FXS ports available).

Note: Refer to the platform documentation for specific information on FXS ports.

2. Bring up the platform with the kernel image and dts configured as explained above.

Look for the below mentioned messages in the kernel boot log.

This will ensure TDM and SLIC initialization.

```

...
...
EDAC MC: Ver: 2.1.0
fsl_tdm: Freescale TDM Driver Adapter:Init
adapter [fsl_tdm] registered
SLIC: Freescale DEVELOPED ZARLINK SLIC DRIVER
#####
# This driver was created solely by Freescale,      #
# without the assistance, support or intellectual  #
# property of Zarlink Semiconductor. No           #
# maintenance or support will be provided by     #
# Zarlink Semiconductor regarding this driver.    #
#####
SLIC probed!
SLIC config success
SLIC: product code 1 read is 4
SLIC: product code 2 read is b3
SLIC: config read is ff
SLIC: config read is 8a
DEV reg is 82
DEV reg after is 2
Mask reg before setting is 3f bf
Mask reg after setting is f6 f6
Read Tx Timeslot for CH1 is 0
Read Tx Timeslot for CH2 is 2
Read Rx Timeslot for CH1 is 0
Read Rx Timeslot for CH2 is 2
Operating Fun for channel 1 is 82
Cadence Timer Reg for CH1 before is 7 ff0 0
Cadence Timer Reg for CH1 after is 1 903 20
Switching control for channel 1 is 20
Operating Fun for channel 2 is a0
Cadence Timer Reg for CH2 before is 7 ff0 0
Cadence Timer Reg for CH2 after is 1 903 20
Switching control for channel 2 is 20
SLIC 1 configuration success
TDM TEST: Test Module for Freescale Platforms with TDM support
TDM_TEST module installed
...
...

```

3. Check /proc/device-tree/soc for tdm and slic nodes.

- Run `cat /proc/interrupts` to check for TDM interrupts. Following is an example log, details may vary over different platforms.

```
[root@ /root]# insmod tdm_test.ko
TDM_TEST: Test Module for Freescale Platforms with TDM support
TDM_Driver(ID=1) is attached with Adapterfsl_tdm(ID = 0) drv_count=1
TDM_TEST module installed
[root@ /root]# cat /proc/interrupts
CPU0
 20:          0   OpenPIC   Level    fsldma-chan
 21:          0   OpenPIC   Level    fsldma-chan
 22:          0   OpenPIC   Level    fsldma-chan
 23:          0   OpenPIC   Level    fsldma-chan
 28:          0   OpenPIC   Level    ehci_hcd:usb1
 42:         57   OpenPIC   Level    serial
 43:          0   OpenPIC   Level    i2c-mpc, i2c-mpc
 59:          0   OpenPIC   Level    fsl_espi
 62:        993   OpenPIC   Edge     dmac_done_isr
LOC:         698   Local timer interrupts
SPU:          0   Spurious interrupts
CNT:          0   Performance monitoring interrupts
MCE:          0   Machine check exceptions
```

- To test the TDM functionality Pick up both the phones. Anything spoken on one phone will be heard on the other.

6.5.16.8 Benchmarking

Voice must be clearly audible and must not break.

6.5.16.9 Known Bugs, Limitations, or Technical Issues

- TDM functionality is not supported in 36bit Physical address mode. This is because of hardware limitation on current FSL platforms.
- TDM_TEST is for demo purpose only and therefore, runs only for a small duration.

6.5.17 Universal Serial Bus Interfaces

See table below for USB controllers which are present on the SoCs:

SoC	No. of USB 3.0 controllers present	No. of USB 2.0 controllers present
LS1012A	1	1
LS1021A	1	1
LS1028A	2	0
LS1043A	3	0
LS1046A	3	0
LS1088A	2	0
LS2088A	2	0
LX2160A	2	0

Typical USB nodes on device trees:

• USB 3.0 controller

```
usb0: usb3@3100000 {
    compatible = "snps,dwc3";
    reg = <0x0 0x3100000 0x0 0x10000>;
    interrupts = <0 80
    IRQ_TYPE_LEVEL_HIGH>;
    dr_mode = "host";
    snps,quirk-frame-length-adjustment
    = <0x20>;
    snps,dis_rxdet_inp3_quirk;
    status = "disabled";
    snps,incr-burst-type-adjustment =
    <1>, <4>, <8>, <16>;
};
```

• USB 2.0 controller

```
usb1: usb2@8600000 {
    compatible = "fsl-usb2-dr-v2.5",
    "fsl-usb2-dr";
    reg = <0x0 0x8600000 0x0 0x1000>;
    interrupts = <0 139 0x4>;
    dr_mode = "host";
    phy_type = "ulpi";
};
```

6.5.17.1 USB 3.0 Controller (DesignWare USB3)

6.5.17.1.1 Description

The U-Boot and Linux kernel driver support DWC3 USB 3.0 Dual-Role-Device (DRD) controller.

6.5.17.1.2 U-Boot

Host Mode

With default configuration of Layerscape LDP, host mode should be ready to use, below are related CONFIG files to select.

6.5.17.1.3 Configure Tree View Options

Configure Tree View Options	Description
<pre>U-Boot--> USB support --> [*] Enable driver model for USB [*] xHCI HCD (USB 3.0) support [*] Designware USB3 DRD Core Support ... [*] Support for NXP Layerscape on-chip xHCI USB controller ... [*] USB Mass Storage support</pre>	<p>Enables USB host controller support</p>

Device Tree (take arch/arm/dts/fsl-ls1012a.dtsi as example)

```
usb1: usb3@2f00000 {
    compatible = "fsl,layerscape-dwc3";
    reg = <0x0 0x2f00000 0x0 0x10000>;
    interrupts = <0 61 0x4>;
    dr_mode = "host";
};
```

6.5.17.1.4 Source Files

The driver source is maintained in the Linux kernel source tree.

Source File	Description
drivers/usb/host/xhci.c	USB HOST xHCI Controller stack
drivers/usb/host/xhci-fsl.c	FSL USB HOST xHCI Controller driver, basing on dwc3 driver
drivers/usb/host/xhci-dwc3.c	DWC3 controller driver
drivers/usb/host/usb-uhcd.c	USB host driver
common/usb.c	USB generic driver
common/usb_hub.c	USB hub driver
cmd/usb.c	USB command-line support

Verification

- Enumeration
 - Plug USB drive.
 - Boot RDB board to U-Boot console, type below commands to scan USB devices
=USB

```
=> usb start
starting USB...
USB0: Register 200017f NbrPorts 2
Starting the controller
USB XHCI 1.00
scanning bus 0 for devices... 2 USB Device(s) found
    scanning usb for storage devices... 1 Storage Device(s) found
=> usb treed
USB device tree:
 1 Hub (5 Gb/s, 0mA)
  | U-Boot XHCI Host Controller
  |
+-2 Mass Storage (5 Gb/s, 224mA)
    SanDisk Extreme 4C530001060207103322
=> usb info
1: Hub, USB Revision 3.0
- U-Boot XHCI Host Controller
- Class: Hub
```

```

- PacketSize: 512 Configurations: 1
- Vendor: 0x0000 Product 0x0000 Version 1.0
  Configuration: 1
  - Interfaces: 1 Self Powered 0mA
    Interface: 0
    - Alternate Setting 0, Endpoints: 1
    - Class Hub
    - Endpoint 1 In Interrupt MaxPacket 8 Interval 255ms
2: Mass Storage, USB Revision 3.0
- SanDisk Extreme 4C530001060207103322
- Class: (from Interface) Mass Storage
- PacketSize: 512 Configurations: 1
- Vendor: 0x0781 Product 0x558b Version 1.0
  Configuration: 1
  - Interfaces: 1 Bus Powered 224mA
    Interface: 0
    - Alternate Setting 0, Endpoints: 2
    - Class Mass Storage, Transp. SCSI, Bulk only
    - Endpoint 1 In Bulk MaxPacket 1024
    - Endpoint 2 Out Bulk MaxPacket 1024

```

6.5.17.1.5 Mass Storage device read write

```

=> md a0000000
a0000000: feffe7fd f3bfffff dffffeff bff77bf2 .....{..
a0000010: efefffee 7b7f33ff 7dffef7c 7effff77 .....3.{|..}w..~
a0000020: fdaefccf 737ffffb 75ffffdf febfbfba .....s...u....
a0000030: 7fccff4f f3ff7ffb fee6fcfc bffb3ff7 O.....?..
a0000040: dfdebfcc 37bf7b37 ffefdfcc 3337fff3 ....7{.7.....73
a0000050: ffeddeee 737333b7 fbefefdf fbf3f7f3 .....3ss.....
a0000060: defcffffe f7bff7fb ffdfffce 3bbf77ff .....w.;
a0000070: dcfbfbef b3fb7fb6 e2dfeede b7b3bff7 .....
a0000080: feffbfeb 73bf3fb3 dffaceff 3bb6b773 .....?.s....s..;
a0000090: fdcffece 7bbfbf7b fdeefdfc f3eff7f7 .....{..{.....
a00000a0: dfecdffe fb3733b7 d9deffdf 737f37bf .....37.....7.s
a00000b0: c76effde faf3bb3f defffdeeb 2f7fb37b ..n.?.....{../
a00000c0: fffcef5b 7bf333bf fedffefe 773f7377 [...3.{....ws?w
a00000d0: fbfdfdfd f7bb73f7 ffffeddd ff37bf3e .....s.....>.7.
a00000e0: dfd9fecc 3f77fbb3 77cfdeee b3f77f73 .....w?...ws...
a00000f0: cfecffde bfff33fb ffe6ffdf fb73337f .....3.....3s.
=> mw a0000000 ffffmeta 100
=> md a0000000
a0000000: ffffmeta ffffmeta ffffmeta ffffmeta .....
a0000010: ffffmeta ffffmeta ffffmeta ffffmeta .....
a0000020: ffffmeta ffffmeta ffffmeta ffffmeta .....
a0000030: ffffmeta ffffmeta ffffmeta ffffmeta .....
a0000040: ffffmeta ffffmeta ffffmeta ffffmeta .....
a0000050: ffffmeta ffffmeta ffffmeta ffffmeta .....
a0000060: ffffmeta ffffmeta ffffmeta ffffmeta .....
a0000070: ffffmeta ffffmeta ffffmeta ffffmeta .....
a0000080: ffffmeta ffffmeta ffffmeta ffffmeta .....
a0000090: ffffmeta ffffmeta ffffmeta ffffmeta .....
a00000a0: ffffmeta ffffmeta ffffmeta ffffmeta .....
a00000b0: ffffmeta ffffmeta ffffmeta ffffmeta .....
a00000c0: ffffmeta ffffmeta ffffmeta ffffmeta .....
a00000d0: ffffmeta ffffmeta ffffmeta ffffmeta .....
a00000e0: ffffmeta ffffmeta ffffmeta ffffmeta .....
a00000f0: ffffmeta ffffmeta ffffmeta ffffmeta .....

```

```
=> usb write a0000000 0 100
usb write: device 0 block # 0, count 256 ... 256 blocks written: OK
=> md b0000000
b0000000: 77fdff79 c97cefdb a7dfff3 fffedddf y..w..|.....
b0000010: fb9ff7f3 fdfeedef febf7db9 cffbccef .....}.....
b0000020: ff7ebf7b fd6efffa 5efbbfbb cfffffff {~...n....^....
b0000030: bbf7f7e7 fcfedcbd f7f3bff7 fedceded .....
b0000040: df7b3337 cfcefcfc b7affb7f ddcddfce 73{.....
b0000050: ffb3bdf3 dedfefed ff3bfef3 feffffdf .....;.....
b0000060: 333f9b37 efccffee f7bbffff 5fceefff 7.?3....._
b0000070: f7bffa37 7edeeeff ffff3ff3 fffedfee 7.....~.?.....
b0000080: 7b37fb3a dffefecf ffff93f5 eeceffcf :.7{.....
b0000090: ff3f1ffb fffcdcfa f77bf77b ddeffeef ..?.....{.....
b00000a0: 52b77bba acfffcff bfdfbf33 feffebff .{.R....3.....
b00000b0: ffffffff7f fe6eeddd 7ffbbb3b 6dffceff .....n;.....m
b00000c0: 3bfbbd73 fd7fedef ff73f3ef fefaedde s.;.....s.....
b00000d0: 7f77ff73 4ffdcdee 7f3b7f72 ecfbedef s.w....Or;.....
b00000e0: f73b7f77 fffdfdfd f7f5fffb eddefefc w.;.....
b00000f0: bfb3bfa3 cfdfcfe 655fbfbb eeffcefd ....._e....
=> usb read b0000000 0 100
usb read: device 0 block # 0, count 256 ... 256 blocks read: OK
=> md b0000000
b0000000: fffffffa fffffffa fffffffa fffffffa .....
b0000010: fffffffa fffffffa fffffffa fffffffa .....
b0000020: fffffffa fffffffa fffffffa fffffffa .....
b0000030: fffffffa fffffffa fffffffa fffffffa .....
b0000040: fffffffa fffffffa fffffffa fffffffa .....
b0000050: fffffffa fffffffa fffffffa fffffffa .....
b0000060: fffffffa fffffffa fffffffa fffffffa .....
b0000070: fffffffa fffffffa fffffffa fffffffa .....
b0000080: fffffffa fffffffa fffffffa fffffffa .....
b0000090: fffffffa fffffffa fffffffa fffffffa .....
b00000a0: fffffffa fffffffa fffffffa fffffffa .....
b00000b0: fffffffa fffffffa fffffffa fffffffa .....
b00000c0: fffffffa fffffffa fffffffa fffffffa .....
b00000d0: fffffffa fffffffa fffffffa fffffffa .....
b00000e0: fffffffa fffffffa fffffffa fffffffa .....
b00000f0: fffffffa fffffffa fffffffa fffffffa .....
=>
```

6.5.17.1.6 Linux Kernel

Host Mode

With default configuration of Layerscape LDP, host mode should be ready to use, below are related CONFIGs that should have been selected.

Configure Tree View Options

Configure Tree View Options	Description
USB support ---> [*] xHCI HCD (USB3.0) support	USB host controller support.
	USB mass storage support.

Configure Tree View Options	Description
[*] USB Mass Storage support	
[*] DesignWare USB3 DRD Core support [*] DWc3 Mode Selection [X] Dual Role mode	DesignWare USB3 DRD Core Support.
Device Drivers --> HID support --> USB HID support [*] USB HID transport layer USB HID support	USB HID support

Device Tree (take arch/arm/boot/dts/freescale/fsl-ls1012a.dtsi as example)

```
usb0: usb3@2f00000 {
    compatible =
    "snps,dwc3";
    reg = <0x0
    0x2f00000 0x0 0x10000>;
    interrupts = <0
    60 0x4>;
    dr_mode = "host";
    snps,quirk-frame-length-adjustment = <0x20>;
    snps,dis_rxdet_inp3_quirk;
};
```

6.5.17.1.7 Source Files

The driver source is maintained in the Linux kernel source tree.

Source File	Description
drivers/usb/core/*	USB subsystem/framework
drivers/usb/host/xhci.c xhci-mem.c xhci-ring.c xhci-hub.c	USB xHCI (host) driver
drivers/usb/storage/scsiglue.c protocol.c transport.c usb.c	USB Mass Storage (device) driver

6.5.17.1.8 Verification

Enumeration

- Plug USB drive
- Boot RDB board to Linux console, type below commands to list USB devices(s):

```
root@ls1012ardb:~# lsusb
Bus 002 Device 002: ID 0781:558b <-- Whose 'Device' is 002 should be a USB
device we found
Bus 001 Device 001: ID 1d6b:0002
Bus 002 Device 001: ID 1d6b:0003
```

- Mass Storage device read write

```
root@ls1012ardb:~# ls /dev/sd*
```

```

/dev/sda /dev/sda1
root@ls1012ardb:~# udevadm info -q all -n /dev/sda | grep -e usb
P: /devices/platform/soc/2f00000.usb3/xhci-hcd.0.auto/usb2/2-1/2-1:1.0/host1/
target1:0:0/1:0:0:0/block/sda
S: disk/by-id/usb-SanDisk_Extreme_4C530001020308102474-0:0
S: disk/by-path/platform-xhci-hcd.0.auto-usb-0:1:1.0-scsi-0:0:0:0
E: DEVLINKS=/dev/disk/by-id/usb-SanDisk_Extreme_4C530001020308102474-0:0 /dev/
disk/by-path/platform-xhci-hcd.0.auto-usb-0:1:1.0-scsi-0:0:0:0 /dev/disk/by-
uuid/928B-C6D2
E: DEVPATH=/devices/platform/soc/2f00000.usb3/xhci-hcd.0.auto/usb2/2-1/2-1:1.0/
host1/target1:0:0/1:0:0:0/block/sda
E: ID_BUS=usb
E: ID_PATH=platform-xhci-hcd.0.auto-usb-0:1:1.0-scsi-0:0:0:0
E: ID_PATH_TAG=platform-xhci-hcd_0_auto-usb-0_1_1_0-scsi-0_0_0_0
E: ID_USB_DRIVER=usb-storage
root@ls1012ardb:~# mkfs.ext2 /dev/sda1 # Format USB drive partition 1 with
EXT2
mke2fs 1.42.9 (28-Dec-2013)
[ 1032.401738] urandom_read: 1 callbacks suppressed
[ 1032.401745] random: mkfs.ext2: uninitialized urandom read (16 bytes read)
[ 1032.413812] random: mkfs.ext2: uninitialized urandom read (16 bytes read)
Filesystem label=
OS type: Linux
Block size=4096 (log=2)
Fragment size=4096 (log=2)
Stride=0 blocks, Stripe width=0 blocks
3833856 inodes, 15318784 blocks
765939 blocks (5.00%) reserved for the super user
First data block=0
Maximum filesystem blocks=4294967296
468 block groups
32768 blocks per group, 32768 fragments per group
8192 inodes per group
Superblock backups stored on blocks:
    32768, 98304, 163840, 229376, 294912, 819200, 884736, 1605632, 2654208,
    4096000, 7962624, 11239424
Allocating group tables: done
Writing inode tables: done
Writing superblocks and filesystem accounting information: done
root@ls1012ardb:~# mount /dev/sda1 /mnt # Manually mount USB drive to file
system
root@ls1012ardb:~# cd /mnt
root@ls1012ardb:/mnt# dd if=/dev/zero of=./test_400MB bs=1M count=400 # Write
test
400+0 records in
400+0 records out
419430400 bytes (419 MB) copied, 4.54194 s, 92.3 MB/s
root@ls1012ardb:/mnt# sync # Make sure ./test_400MB has been written to drive
root@ls1012ardb:/mnt# md5sum test_400MB # Read file out, do MD5 checksum
61eabaf2bf278703738b433ff884c91f test_400MB

```

6.5.17.1.9 HID use case

- – Boot RDB board to Linux console,
- Plug USB mouse/keyboard, then below message appears:

```

root@ls1012ardb:/mnt#
[ 3415.406370] usb 1-1: new low-speed USB device number 2 using xhci-hcd

```



```
Subdevice #0: subdevice #0
card 1: USB [Jabra SPEAK 410 USB], device 0: USB Audio [USB Audio]
Subdevices: 1/1 Subdevice #0: subdevice #0
```

- Sample wav file can be played using the below command:

```
[root@freescale ~]$ aplay -D hw:1,0
LYNC_fsringing.wavPlaying WAVE 'LYNC_fsringing.wav' : Signed 16 bit Little
Endian, Rate 48000 Hz, Stereo
```

- Sample wav file can be recorded using the below command:

```
[root@freescale ~]$ arecord -f S16_LE -t wav -Dhw:1,0 -r 16000 foobar.wav -d 5
Recording WAVE 'foobar.wav' : Signed 16 bit Little Endian, Rate 16000 Hz, Mono
```

Note: If recorded audio is not played, try to use "-D plughw:1,0" in above command.

- Audio controls can be checked using the below command, control details, and name of the controls can be checked from output of "amixer -c1" as below:

```
[root@freescale ~]$ amixer -c1 controls
numid=3,iface=MIXER,name='PCM Playback Switch'
numid=4,iface=MIXER,name='PCM Playback Volume'
numid=5,iface=MIXER,name='Headset Capture Switch'
numid=6,iface=MIXER,name='Headset Capture Volume'
numid=2,iface=PCM,name='Capture Channel Map'
numid=1,iface=PCM,name='Playback Channel Map'
[root@freescale ~]$ amixer -c1
Simple mixer control 'PCM',0 Capabilities: pvolume pvolume-joined pswitch
pswitch-joined penum
Playback channels: Mono
Limits: Playback 0 - 11
Mono: Playback 4 [36%] [-20.00dB] [on]
Simple mixer control 'Headset',0 Capabilities: cvolume cvolume-joined cswitch
cswitch-joined penum
Capture channels: Mono
Limits: Capture 0 - 7
Mono: Capture 5 [71%] [0.00dB] [on]
```

For example, in above output there are two controls named "PCM" and "Headset" for Speaker and microphone respectively. Sample Audio controls Usage: a. mute/unmute

```
[root@freescale ~]$ amixer -c1 set PCM mute
Simple mixer control 'PCM',0
Capabilities: pvolume pvolume-joined pswitch pswitch-joined
Playback channels: Mono
Limits: Playback 0 - 11
Mono: Playback 2 [18%] [-28.00dB] [off]
[root@freescale ~]$ amixer -c1 set PCM unmute
Simple mixer control 'PCM',0
Capabilities: pvolume pvolume-joined pswitch pswitch-joined
Playback channels: Mono
Limits: Playback 0 - 11
Mono: Playback 2 [18%] [-28.00dB] [on]
Aplay utility can be used to list the available sound cards e.g. Here Jabra 410
USB speaker is
detected as a second sound card and can be addressed as -D hw:1,0 OR -c1:
```

Volume up/down – Below commands are trying to set volume to 11 and 2 performing volume up and down respectively.

```
root@freescale ~]$ amixer -c1 set PCM 11
Simple mixer control 'PCM',0
```



```
Capabilities: pvolume pvolume-joined pswitch pswitch-joined
Playback channels: Mono
Limits: Playback 0 - 11
Mono: Playback 11 [100%] [8.00dB] [on]
[root@freescale ~]$ amixer -c1 set PCM 2
Simple mixer control 'PCM',0
Capabilities: pvolume pvolume-joined pswitch pswitch-joined
Playback channels: Mono
Limits: Playback 0 - 11
Mono: Playback 2 [18%] [-28.00dB] [on]
```

Device mode (Gadget driver)

Important note: Device mode enabling requires manually **insmod** some ko files at runtime, make sure use the ko files which built together with that kernel image, otherwise you might encounter failures like below:

```
root@ls1043a:/run/media/mmcblk0p1 # insmod libcomposite.ko
[ 2748.620682] libcomposite: version magic '4.14.47-50925-gd677346-dirty SMP
preempt mod_unload aarch64' should be '4.14.47-50925-gd224085 SMP preempt
mod_unload aarch64'
insmod: ERROR: could not insert module libcomposite.ko: Invalid module format
```

• **Mass Storage gadget**

Basing on default configuration of Layerscape LDP, also select below options in Linux kernel menuconfig (follow the highlighted choice)

Configure Tree View Options

Configure Tree View Options	Description
<pre>USB Gadget support ---> <M> USB Gadget functions configurable through configs [*] Mass storage</pre>	USB host controller support.
<pre><M> USB Gadget precomposed configurations</pre>	USB configuration support.
<pre><M> Mass Storage Gadget</pre>	Mass storage support.

Device Tree update, change property **dr_mode**'s data from **“host”** to **“peripheral”**, add property **maximum-speed = “super-speed”**; as below:

```
usb0: usb3@2f00000 {
compatible = "snps,dwc3";
reg = <0x0 0x2f00000 0x0 0x10000>;
interrupts = <0 60 0x4>;
dr_mode = "peripheral";
snps,quirk-frame-length-adjustment = <0x20>;
snps,dis_rxdet_inp3_quirk;
maximum-speed = "super-speed";
};
```

Note: Make sure to modify the correct USB nodes that mapped to the physical USB port that you are verifying, and you can only change one USB node.

6.5.17.1.11 Source Files

Source File	Description
drivers/usb/gadget/function/storage_common.c	Common definitions for mass storage functionality
drivers/usb/gadget/function/f_mass_storage.c	Mass Storage USB Composite Function
drivers/gadget/legacy/mass_storage.c	Mass Storage USB Gadget

6.5.17.1.12

Verification (test with Win7 as host)

- Build kernel, then copy below ko files to an SD card.
 - ./drivers/usb/gadget/libcomposite.ko
 - ./drivers/usb/gadget/function/usb_f_mass_storage.ko
 - ./drivers/usb/gadget/legacy/g_mass_storage.ko
- Insert that SD card into RDB board SD slot.
- Boot RDB board with that Linux kernel
- In RDB board Linux console, execute below commands (assume that you copy those ko files at SD card root folder, and mount to /run/media/mmcblk0p1/)

```

root@ls1043a:/ # df
Filesystem      1K-blocks  Used Available Use% Mounted on
/dev/root        85352 65515   15430   81% /
devtmpfs        1940036    4 1940032    1% /dev
tmpfs           1961116   132 1960984    1% /run
tmpfs           1961116   172 1960944    1% /var/volatile
/dev/mmcblk0p1  3931136 32964 3898172    1% /run/media/mmcblk0p1
root@ls1043a:~#cd /run/media/mmcblk0p1/ # this is where you put your ko files
root@ls1043a:/run/media/mmcblk0p1/ # dd if=/dev/zero of=./test bs=1M count=500
root@ls1043a:/run/media/mmcblk0p1/ # insmod libcomposite.ko
root@ls1043a:/run/media/mmcblk0p1/ # insmod usb_f_mass_storage.ko
root@ls1043a:/run/media/mmcblk0p1/ # insmod g_mass_storage.ko file=/run/media/
mmcblk0p1/test
[ 780.758286] Mass Storage Function, version: 2009/09/11
[ 780.763465] LUN: removable file: (no medium)
[ 780.767791] LUN: file: /run/media/mmcblk0p1/test
[ 780.772406] Number of LUNs=1
[ 780.775355] g_mass_storage gadget: Mass Storage Gadget, version: 2009/09/11
[ 780.782322] g_mass_storage gadget: userspace failed to provide iSerialNumber
[ 780.789371] g_mass_storage gadget: g_mass_storage ready
    
```

- Connect USB cable with PC and RDB board
 - You can see Windows Device Manager as Linux File-Stor Gadget USB Drive.
 - Note:** Some times you need manually allocate a drive name/letter in My Computer. After that manually format that disk to keep it in ready status.
- Ethernet gadget
 - Basing on default configuration of Layerscape LDP, also select below options in Linux kernel menuconfig (follow the highlighted choice)

Configure Tree View Options

Configure Tree View Options	Description
USB Gadget support ---> <M> USB Gadget functions configurable through configfs	USB host controller support.
<M> USB Gadget precomposed configurations	USB configuration support.
<M> Ethernet Gadget (with CDC Ethernet support)	Ethernet gadget support.

Device Tree update, change property **dr_mode**'s data from "host" to "peripheral", add property **maximum-speed = "super-speed"**; as below:

```
usb0: usb3@2f00000 {
    compatible = "snps,dwc3";
    reg = <0x0 0x2f00000 0x0 0x10000>;
    interrupts = <0 60 0x4>;
    dr_mode = "peripheral";
    snps,quirk-frame-length-adjustment = <0x20>;
    snps,dis_rxdet_inp3_quirk;
    maximum-speed = "super-speed";
};
```

Note: Make sure to modify the correct USB nodes that mapped to the physical USB port that you are verifying, and you can only change one USB node.

6.5.17.1.13 Source Files

Source File	Description
drivers/usb/gadget/function/u_ether.c	Ethernet-over-USB link layer utilities for Gadget stack
drivers/usb/gadget/function/f_ecm.c	USB CDC Ethernet (ECM) link function driver
drivers/usb/gadget/function/f_subset.c	"CDC Subset" Ethernet link function driver
drivers/usb/gadget/function/f_rndis.c	RNDIS link function driver
drivers/usb/gadget/function/rndis.c	RNDIS MSG parser
drivers/usb/gadget/legacy/ether.c	Ethernet gadget driver, with CDC and non-CDC options

6.5.17.1.14 Verification

- Build Linux Kernel, then copy ko files to an SD card.

- Insert that SD card into RDB board.
- Connect RDB board and Windows PC host port with USB cable.
- Boot RDB board with above kernel.
- Execute below shell commands to insmod related ko files on RDB board.

```

root@ls1043a:/run/media/mmcblk0p1# insmod libcomposite.ko
root@ls1043a:/run/media/mmcblk0p1# insmod u_ether.ko
root@ls1043a:/run/media/mmcblk0p1# insmod usb_f_ecm.ko
root@ls1043a:/run/media/mmcblk0p1# insmod usb_f_ecm_subset.ko
root@ls1043a:/run/media/mmcblk0p1# insmod usb_f_rndis.ko
root@ls1043a:/run/media/mmcblk0p1# insmod g_ether.ko
[ 138.046732] using random self ethernet address
[ 138.051188] using random host ethernet address
[ 138.055884] usb0: HOST MAC 5e:4a:86:d0:dc:b6
[ 138.060219] usb0: MAC c2:53:e1:5b:d0:d9
[ 138.064100] using random self ethernet address
[ 138.068549] using random host ethernet address
[ 138.073041] g_ether gadget: Ethernet Gadget, version: Memorial Day 2008
[ 138.079653] g_ether gadget: g_ether ready

```

- Install Microsoft RNDIS driver on Windows 7 for ping test
 1. Right-click Computer and select Manage. From System Tools, select Device Manager. It displays a list of devices currently connected with the development PC. In the list, you can see RNDIS Kitl with an exclamation mark implying that driver has not been installed.
 2. Right-click RNDIS Kitl and select Update Driver Software when prompted to choose how to search for device driver software, choose Browse my computer for driver software. Browse for driver software on your computer appears.
 3. Select Let me pick from a list of device drivers on My Computer. The Update Driver Software - RNDIS Kitl window appears.
 4. Select the device type as Select Network adapters, as RNDIS emulates a network connection.
 5. Select Microsoft Corporation from the Manufacturer list in the Select Network Adapter window.
 6. Select Remote NDIS compatible device from the Network Adapter frame and click Next. After, several minutes of installation you can see a message as "Windows has successfully updated your driver software." and the RNDIS device is ready to use. After, successful installation you can see RNDIS/Ethernet Gadget under Network adapters.
 7. Allocate IP for USB interface to the ping test. On RDB board Linux console configure the network interface as shown below:

```

root@ls1043a:/run/media/mmcblk0p1 # ifconfig -a
..... # <snip>
usb0      Link encap:Ethernet  HWaddr c2:53:e1:5b:d0:d9
          BROADCAST MULTICAST  MTU:1500  Metric:1
          RX packets:0 errors:0 dropped:0 overruns:0 frame:0
          TX packets:0 errors:0 dropped:0 overruns:0 carrier:0
          collisions:0 txqueuelen:1000
          RX bytes:0 (0.0 B)  TX bytes:0 (0.0 B)
root@ls1043a:/run/media/mmcblk0p1 # ifconfig usb0 192.168.5.3
root@ls1043a:/run/media/mmcblk0p1 # ifconfig usb0
usb0      Link encap:Ethernet  HWaddr c2:53:e1:5b:d0:d9
          inet addr:192.168.5.3  Bcast:10.255.255.255  Mask:255.0.0.0
          UP BROADCAST MULTICAST  MTU:1500  Metric:1
          RX packets:0 errors:0 dropped:0 overruns:0 frame:0
          TX packets:0 errors:0 dropped:0 overruns:0 carrier:0
          collisions:0 txqueuelen:1000

```

```
RX bytes:0 (0.0 B) TX bytes:0 (0.0 B)
```

- Configuring Network interface on Windows 7 PC host
 1. Open Network and Sharing Center in Control Panel, click the Local Area Connection <number> .
Note: *The number might be different in your ENV.*
 2. On the Local Area Connection <number> status pop-up window, click Properties.
The Local Area Connection Properties window opens.
 3. Double-click TCP/IPv4 Version (TCP/IPv4).
The Internet Protocol Version 4 (TCP/IPv4) Properties window appears.
 4. Enter the IP address, Subnet mask and click OK.

On the RDB board Linux console, the following ping test begins:

```
root@ls1043a:/run/media/mmcblk0p1/ # ping 192.168.5.2
PING 192.168.5.2 (192.168.5.2) 56(84) bytes of data.
 64 bytes from 192.168.5.2: icmp_seq=1 ttl=128 time=3.17 ms
 64 bytes from 192.168.5.2: icmp_seq=2 ttl=128 time=1.93 ms
 64 bytes from 192.168.5.2: icmp_seq=3 ttl=128 time=1.04 ms
 64 bytes from 192.168.5.2: icmp_seq=4 ttl=128 time=1.22 ms
 64 bytes from 192.168.5.2: icmp_seq=5 ttl=128 time=1.81 ms
 64 bytes from 192.168.5.2: icmp_seq=6 ttl=128 time=1.54 ms
 64 bytes from 192.168.5.2: icmp_seq=7 ttl=128 time=1.84 ms
 64 bytes from 192.168.5.2: icmp_seq=8 ttl=128 time=1.49 ms
 64 bytes from 192.168.5.2: icmp_seq=9 ttl=128 time=0.633 ms
 64 bytes from 192.168.5.2: icmp_seq=10 ttl=128 time=0.915 ms
```

OTG mode

USB On-The-Go (USB OTG or OTG) is a specification that allows USB devices, such as tablets or smartphones, to act as a host. This allows other USB devices, such as USB flash drives, digital cameras, mice or keyboards, to attach to host devices via an OTG cable. The Layerscape platform also allows automatic role switching if a USB device is connected to host device via an ordinary micro-B plug USB at runtime.

Note:

- *For OTG feature, only support High-speed connection is supported, super-speed is not supported.*
- *This sections provides an example for configuring Layerscape DWC3 controller to act as host or device (for device mode, act as an Ethernet gadget). Note that HNP and SRP protocol is not supported.*

Based on default configuration of Layerscape LDP, select highlighted options in Linux kernel menuconfig.

```

--- USB Gadget Support
[ ]   Debugging messages (DEVELOPMENT)
[ ]   Debugging information files (DEVELOPMENT)
[ ]   Debugging information files in debugfs (DEVELOPMENT)
(2)  Maximum VBUS Power usage (2-500 mA)
(2)  Number of storage pipeline buffers
      USB Peripheral Controller --->
<M>  USB Gadget functions configurable through configs
[ ]   Generic serial bulk in/out (NEW)
[ ]   Abstract Control Model (CDC ACM) (NEW)
[ ]   Printer function (NEW)
<M>  USB Gadget precomposed configurations
< >  Gadget Zero (DEVELOPMENT) (NEW)
< >  Audio Gadget (NEW)
< >  Ethernet Gadget (with CDC Ethernet support) (NEW)
< >  Audio Gadget (NEW)
<M>  Ethernet Gadget (with CDC Ethernet support)
[*]  RNDIS support (NEW)
[ ]   Ethernet Emulation Model (EEM) support (NEW)
< >  Network Control Model (NCM) support (NEW)
    
```

Figure 26. Linux kernel menuconfig

Device Tree

- In USB DWC3 node, change the value of property `dr_mode` from “host” to “otg”:

```

usb1: usb@3110000 {
    compatible = "fsl,ls1028a-dwc3", "snps,dwc3";
    reg = <0x0 0x3110000 0x0 0x10000>;
    interrupts = <GIC_SPI 81 IRQ_TYPE_LEVEL_HIGH>;
    dr_mode = "otg";
    snps,dis_rxdet_inp3_quirk;
    snps,quirk-frame-length-adjustment = <0x20>;
    snps,incr-burst-type-adjustment = <1>, <4>, <8>, <16>;
};
    
```

Note:

- You can only change one USB node. Make sure that you modify only the USB node mapped to the physical USB port that you want to verify.
- The following USB ports on respective Layerscape boards are enabled for OTG feature. The other Layerscape boards include Micro-AB port that can be enabled for OTG, if required.

Layerscape board	OTG support?	USB port supporting OTG
LS1028ARDB	Y	TYPE-C
LS1046ARDB	Y	USB3.0 MICRO-AB

Layerscape board	OTG support?	USB port supporting OTG
LS2088ARDB	Y	USB3.0 MICRO-AB

Source files

- For host mode, see ‘Host mode’ of Linux Kernel part.
- For device mode, see ‘Ethernet gadget’ part.

Verification

- Act as host
 - Make sure the board has the OTG port:
 - USB 3.0 Micro-AB Receptacle

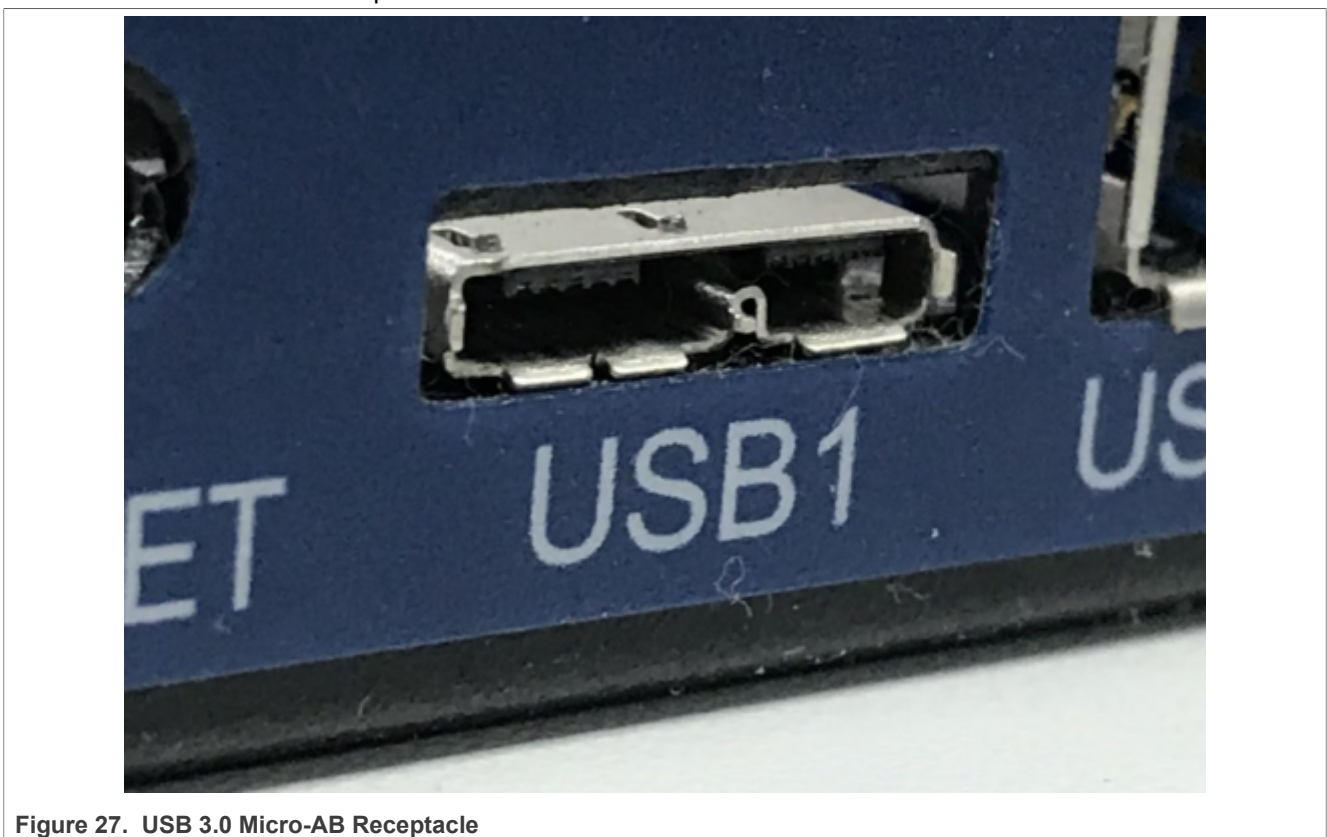


Figure 27. USB 3.0 Micro-AB Receptacle
 – or TYPE-C Receptacle



Figure 28. TYPE-C Receptacle

- Boot RDB board with customized kernel.
- Plug a USB 2.0/3.0 OTG or USB3.0 Type-C cable to the downstream port shown above.
 - USB 2.0 OTG cable

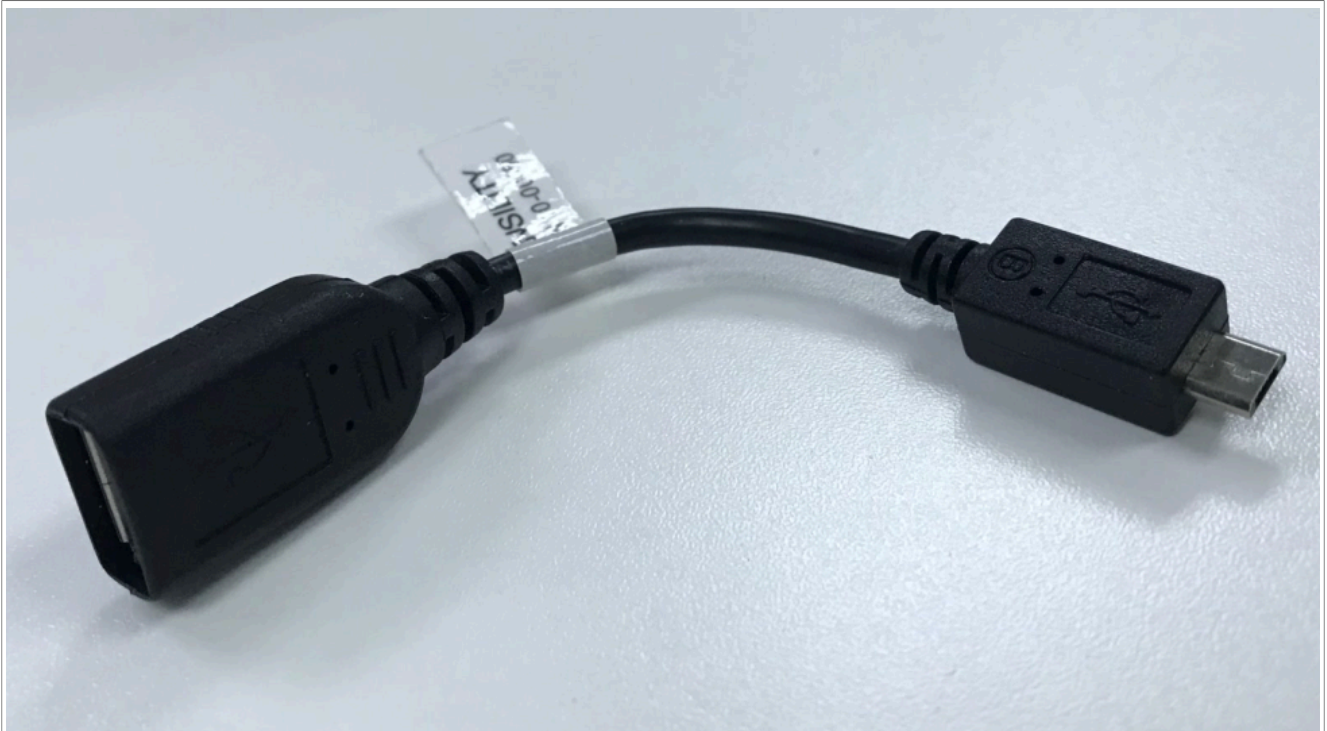


Figure 29. USB 2.0 OTG cable

- USB 3.0 OTG cable



Figure 30. USB 3.0 OTG cable

- USB 3.0 Type-C cable



Figure 31. USB 3.0 Type-C cable

- Verify USB host function with a USB Mass Storage drive:
 - See the verification steps of Linux kernel's 'Host mode' part for details.
- Act as device
 - Make sure the board has the OTG port, see 'Act as host' for details.
 - Boot RDB board with customized kernel.
 - Plug a USB plug cable to the port shown above.
 - USB 2.0 plug cable

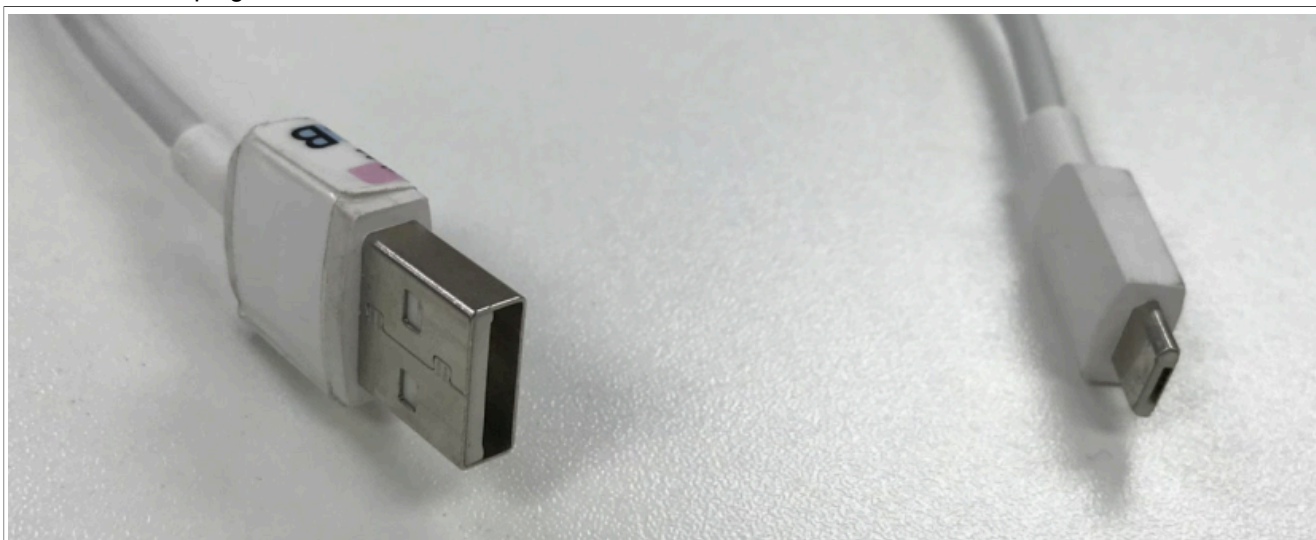


Figure 32. USB 2.0 plug cable

- USB 3.0 plug cable

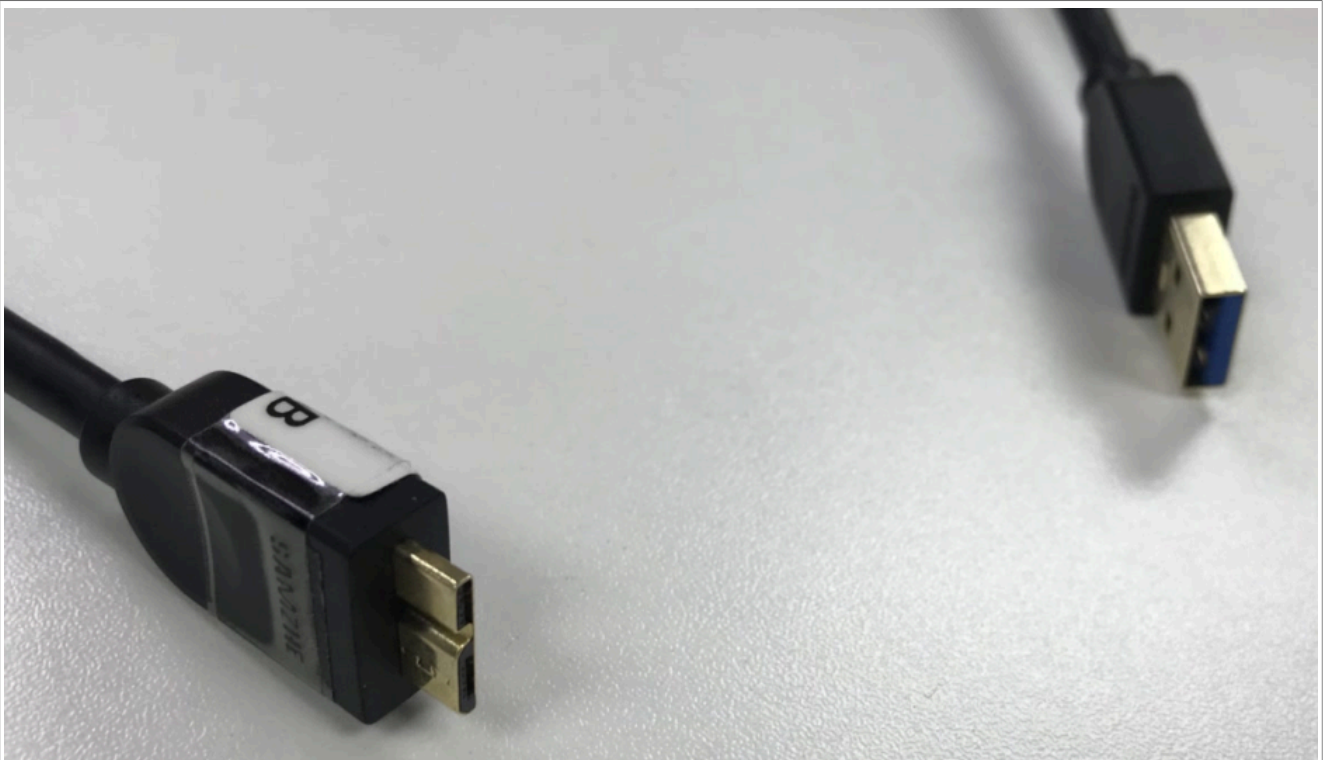


Figure 33. USB 3.0 plug cable

- USB Type-C plug cable



Figure 34. USB Type-C plug cable

- Verify USB device mode with Ethernet gadget function:
See the verification steps of Linux kernel's 'Device mode' part for details (search 'Ethernet gadget').

6.5.17.1.15 Known Bugs, Limitations, or Technical Issues

- Linux only allows one peripheral at one time. Make sure that when one of DWC3 controllers is set as peripheral, then the others should not be set to the same mode.
- For USB host mode, some Pen drives such as Kingston / Transcend / SiliconPower / Samtec might have a compatibility issue.
- Some USB micro ports might have OTG3.0 cable compatibility issue. An OTG 2.0 cable and USB standard port works fine.
- If you are trying to port USB related patches and enable them on customer software base (U-Boot + Linux), make sure that all USB nodes (or parent node, such as ‘SoC’) have been applied with property `dma-coherent`; on the kernel device tree. And, ensure that following implementations are integrated into your software source code:
 - U-Boot:
 - <https://gitlab.denx.de/u-boot/u-boot/commit/3d23b6c5>
 - <https://gitlab.denx.de/u-boot/u-boot/commit/d085c9ad>
 - <https://gitlab.denx.de/u-boot/u-boot/commit/223c1907>
 - Linux kernel:
 - <https://github.com/nxp-qoriq/linux>

6.5.17.2 USB 2.0 Controller

(Freescale multi-port host and/or dual-role USB controller)

6.5.17.2.1 U-Boot

Host Mode

Basing on default configuration of Layerscape LDP, make sure to select the configs below:

Configure Tree View Options

Configure Tree View Options	Description
<pre>USB support ---> [*] EHCI HCD (usb 2.0) Support</pre>	Enables USB host controller support
<pre>[*] USB Mass Storage Support</pre>	Enables USB host controller support.

Source Files

The driver source is maintained in the Linux kernel source tree.

Source File	Description
drivers/usb/host/ehci-hcd	USB HOST xHCI Controller stack
drivers/usb/host/ehci-fsl.c	FSL USB HOST xHCI Controller driver, basing on dwc3 driver
drivers/usb/host/usb-uhcd.c	USB host driver

Source File	Description
common/usb.c	USB generic driver
common/usb_hub.c	USB hub driver
cmd/usb.c	USB command-line support

Verification

- Enumeration
 - Refer to USB 3.0 controller test steps.

Mass Storage

- Refer to USB 3.0 controller test steps.

6.5.17.2.2 Linux Kernel

Host Mode

Basing on default Layerscape LDP config, make sure to select CONFIGs below:

Configure Tree View Options

Configure Tree View Options	Description
<pre>USB support ---> [*] Support for Host-side USB</pre>	USB host controller support.
<pre>[*] EHCI HCD (USB 2.0) support</pre>	USB HCD support.
<pre>[*] USB Mass Storage support</pre>	USB mass storage support.
<pre><*> Support for Freescale PPC on-chip EHCI USB controller [*] EHCI support for PPC USB controller on OF platform bus</pre>	USB EHCI support

Device Tree

```
usb@22000 {
    #address-cells = <1>;
    #size-cells = <0>;
    compatible = "fsl-usb2-<controller-type>-v<controller version>",
        "fsl-usb2-<controller-type>";
    reg = <0x22000 0x1000>;
    interrupt-parent = <&mpic>;
    interrupts = <28 0x2>;
    phy_type = "ulpi";
    dr_mode = "host"
    /* ulpi/utmi/utmi_dual */
    /* host, peripheral */
}
```

```
};
```

Note: *controller-type: dr(dual-role), mph(multi-port-host) controller-version: 1.6, 2.2, or earlier default mode is always host.*

Source Files

The driver source is maintained in the Linux kernel source tree.

Source File	Description
drivers/usb/core/*	USB subsystem/framework
drivers/usb/host/ehci-hcd.c	USB EHCI (host) driver
drivers/usb/host/ehci-fsl.c fsl-mph-dr-of.c	Freescale multi-port host and/or dual-role USB2.0 controller driver
drivers/usb/storage/scsiglue.c protocol.c transport.c usb.c	USB Mass Storage (device) driver

Verification

- Refer to USB 3.0 controller test steps.

6.5.17.2.3

- **Device mode (Gadget driver)**
- **Ethernet gadget**

Basing on default configuration of Layerscape LDP config, make sure to select config files below:

Configure Tree View Options

Configure Tree View Options	Description
<*> Freescale Highspeed USB DR Peripheral Controller	Freescale USB host controller support.
<M> USB Gadget functions configurable through configs	Configuration support.
<M> USB Gadget precomposed configurations	USG gadget support
<M> Ethernet Gadget (with CDC Ethernet support)	USB Ethernet support
[*] RNDIS support	USB RNDIS gadget support

Device tree

```
usb@22000 {
    #address-cells = <1>;
    #size-cells = <0>;
    compatible = "fsl-usb2-<controller-type>-v<controller version>",
        "fsl-usb2-<controller-type>";
    reg = <0x22000 0x1000>; /* specifies register base addr, soc
dependent */
    interrupt-parent = <&mpic>;
    interrupts = <28 0x2>; /* specifies usb interrupt line, soc
dependent */
    phy_type = "ulpi"; /* phy can be ulpi(external)/utmi(internal)
*/
    dr_mode = "peripheral" /* this entry specifies usb mode */
};
```

Note:

Controller-type: dr(dual-role), mph(multi-port-host) controller-version: 1.6, 2.2, or earlier default mode is always host. It can be either changed to peripheral inside the dts entry like above. In this case recompilation of dts is required. DR mode can also be changed to peripheral via U-Boot command line. This will not require DTS recompilation, and can work with default DTS For USB1 controller.

```
=> setenv hwconfig 'usb1:dr_mode=peripheral,phy_type=<ulpi/utmi>
```

6.5.17.2.4 Source Files

Source File	Description
drivers/usb/host/fsl-mph-dr-of.c	Freescale dual-role USB2.0 controller driver
drivers/usb/gadget/function/u_ether.c	Ethernet-over-USB link layer utilities for Gadget stack
drivers/usb/gadget/function/f_ecm.c	USB CDC Ethernet (ECM) link function driver
drivers/usb/gadget/function/f_subset.c	"CDC Subset" Ethernet link function driver
drivers/usb/gadget/function/f_rndis.c	RNDIS link function driver
drivers/usb/gadget/function/rndis.c	RNDIS MSG parser
drivers/usb/gadget/legacy/ether.c	Ethernet gadget driver, with CDC and non-CDC options

6.5.17.2.5

Verification

- Refer to USB 3.0 controller test steps.

6.5.18 Graphics processing unit (GPU)

The GPU driver supports NXP Graphics Processing Unit (GPU). The GPU driver can be used as a module or can be built into the kernel image by enabling config `MXC_GPU_VIV`.

1. Download GPU libraries:

```
$ wget https://www.nxp.com/lgfiles/NMG/MAD/YOCTO/imx-gpu-viv-6.4.11.pl.2d-aarch64.bin
$ chmod a+x imx-gpu-viv-6.4.11.pl.2d-aarch64.bin
$ ./ imx-gpu-viv-6.4.11.pl.2d-aarch64.bin
Press Y to accept the EULA license.
```

All the GPU libraries and demos are included in this repository.

Note: If you are using Layerscape LDP release, all the above steps have already been executed.

6.5.18.1 Test procedure

Follow the below procedure to use GPU.

1. Boot up the kernel.

To check the kernel log, use the command:

```
user@ls1028ardb:~# dmesg | tail
```

The messages appear as follows:

```
...
Galcore version 6.4.3.336687
...
```

2. All the test cases shall be installed with `apt-get`:

a. OpenCL demo

```
user@ls1028ardb: apt-get install clinfo
root@ls1028ardb: clinfo
```

b. OpenGL ES demo

```
user@ls1028ardb: apt-get install glmark2-es2-wayland
root@ls1028ardb: glmark2-es2-wayland
```

6.5.18.2 Known issue

GPU driver does not support SMMU feature. When SMMU is enabled, GPU will not work.

To disable SMMU, add the following to bootargs:

```
iommu.passthrough=1 arm-smmu.disable_bypass=0
```

6.5.19 LCD and display transmitter controller

Description

This section describes how to configure and test LCD and Display Transmitter Controller drivers for the LS1028ARDB. The Display Transmitter Controller offers multiprotocol support of standards such as DisplayPort v1.3 and eDP v1.4.

The LCD and Display Transmitter Controller device drivers can be built in the kernel image or built as kernel modules.

RCW configuration

The following table describes RCW for Display Transmitter and LCD controller on the LS1028ARDB.

Board	RCW
LS1028ARDB	HWA_CGA_M3_CLK_SEL = 2

Kernel configure options tree view

The following table describes the tree view of the kernel configuration options.

Options	Description
<pre> Device Drivers ---> Graphics support ---> <M> IPUv3 core support <M> Direct Rendering Manager (XFree86 4.1.0 and higher DRI support) ---> Arm devices ---> [M] Arm Mali Display Processor [M] DRM Support for Freescale i.mx [M] IMX8 HD Display Controller Common Clock Framework---> [*] Clock driver for LS1028A Display output </pre>	<p>Enable IPUv3 Core, LCD controller driver, DRM driver, Display Transmitter Controller driver, and Display pixel clock driver.</p>

Identifier

Below are the configure identifiers which are used in kernel source code and default configuration files.

Option	Description
CONFIG_DRM	Enable DRM driver support
CONFIG_DRM_MALI_DISPLAY	Enable LCD controller driver
CONFIG_DRM_IMX	Display Transmitter controller driver needed for enable i.MX DRM driver
CONFIG_DRM_IMX_HDP	Enable Display Transmitter controller driver
CONFIG_MX8_HDP	Enable Display Transmitter controller common API driver
CONFIG_IPUV3_CORE	i.MX DRM drivers needed to enable IPUV3_CORE
CONFIG_DRM_IMX_CDNS_MHDP	Display Transmitter controller driver
CONFIG_DRM_CDNS_MHDP	Display Transmitter controller common API driver
CONFIG_DRM_CDNS_HDMI	Display Transmitter controller common API driver for HDMI
CONFIG_DRM_CDNS_DP	Display Transmitter controller common API driver for DP
CONFIG_DRM_CDNS_AUDIO	Display Transmitter controller common API driver for AUDIO
CONFIG_CLK_LS1028A_PLLDIG	Display pixel clock driver

Source files

The driver source is maintained in the Linux kernel source tree.

Source File	Description
drivers/gpu/drm/arm/malidp_*	LCD controller driver source
drivers/gpu/drm/imx/hdp	Display Transmitter controller driver source
drivers/mxc/hdp/	Display Transmitter controller API common source
drivers/clk/clk-plldig.c	Display output interface pixel clock driver source

Device Tree Binding

The following is default device tree configuration for LS1028A RDB board:

```
&hdptx0 {
    fsl,no_edid;
    resolution = "3840x2160@60",
                "1920x1080@60",
                "1280x720@60",
                "720x480@60";
    lane_mapping = <0x4e>;
    edp_link_rate = <0x6>
    edp_num_lanes = <0x4>;
    status = "okay";
};
```

If there is no Extended Display Identification Data (EDID) supported by display panel, “fsl, no_edid” is required specify no_edid mode is used. For this case, kernel driver has some built-in display resolution list with related display parameters which are defined in “edid_cea_modes” data structure in driver imx-hdp.c, these built-in parameters can be modified if needed, or some new resolution can be added in this list. Device tree “resolution” property is used to specify which resolutions in built-in resolution list is supported by the display panel.

For edid mode, EDID data is read from the display panel, then the display parameters together with display capability can be gathered from EDID data, display driver uses these parameters to initialize DP and LCDC. In this case, remove the “fsl, no_edid” and “resolution” property from dts.

Device Tree Configuration for eDP

Currently LS1028ARDB board has no eDP port available, the following information is only for your reference.

In order to connect to eDP panel, “fsl, edp” property has to be added in device tree display node and also need to specify link rate by using “edp_link_rate” property, 0x14 is used for 4k resolution and 0xa is used for 1080p resolution. “edp_num_lanes” is used to specify how many lanes are used by eDP port.

The following are dts example for 4k and 1080p eDP display panel:

- 4k@60

```
&hdptx0 {
    fsl,edp;
    fsl,no_edid;
    resolution = "3840x2160@60",
                "1920x1080@60",
                "1280x720@60",
                "720x480@60";
    lane_mapping = <0x4e>;
    edp_link_rate = <0x14>
    edp_num_lanes = <0x4>;
```

```

        status = "okay";
    };

```

• 1080p@60

```

&hdptx0 {
    fsl,edp;
        fsl,no_edid;
        resolution = "3840x2160@60",
                    "1920x1080@60",
                    "1280x720@60",
                    "720x480@60";
        lane_mapping = <0x4e>;
        edp_link_rate = <0xa>
        edp_num_lanes = <0x2>;
        status = "okay";
};

```

Display pixel clock configuration

LS1028A has a PLL to provide pixel clock both for LCDC and DP, the input reference clock frequency of PLL is 27 MHz, by using programmable digital interface, it can provide pixel clock with frequency from 27 MHz to 594 MHz.

Clock configure relationship are as seen below, further details can be found in LS1028A Reference Manual.

The relationship between input and output frequency is determined by programming the PLLDIG_PLLDV, PLLDIG_PLLCAL3, and PLLDIG_PLLFD registers, and calculated according to the following equation:

$$f_{pll_phi} = f_{pll_ref} \times \left(\frac{PLL_{DV}[MFD] + \frac{PLL_{FD}[MFN]}{20480}}{PLL_{DV}[PREDIV] \times PLL_{DV}[RFDPHI]} \right)$$

Figure 35. PLL PHI frequency

The relationship between the VCO frequency (f_{VCO}) and the output frequency of the PLL is determined by the PLLDIG_PLLDV and PLLDIG_PLLFD registers, according to the following equation:

$$f_{pll_VCO} = \frac{f_{pll_ref}}{PLL_{DV}[PREDIV]} \times \left(PLL_{DV}[MFD] + \frac{PLL_{FD}[MFN]}{20480} \right)$$

Figure 36. PLL VCO frequency

When programming the PLL, user software must not violate the maximum system clock frequency or max/min VCO frequency specification of the PLL.

Currently, the fractional divider is supported on LS1028A. So, the PLL can cover almost any VCO frequency from 650 MHz to 1300 MHz.

In the above two calculation formulas:

- The 'fpll_phi' value is equivalent to required pixel clock frequency.
- The 'fpll_ref' is the reference clock, it is 27 MHz.
- PLLDV[PREDIV] value is always '1'.
- By default, the MFD(PLLDV[MFD]) value is 44, PLLFD[MFN] is zero, VCO(fpll_vco) frequency value is 1188 MHz.

- If VCO frequency is indivisible by required pixel clock frequency (fpll_phi), fractional function will be used, then PLLFD[MFN] will be calculated to get VCO frequency which can be divisible by required pixel clock frequency.
- The range of VCO frequency is from 650 MHz to 1300 MHz.

For example, if required pixel clock frequency is 594 MHz, because default VCO frequency 1188 is divisible by 594, so PLLDV[RFDPHI] =2, PLLDV[MFD] = 44, and PLLFD[MFN] = 0. But if required pixel clock frequency is 533.25, because default VCO frequency 1188 is indivisible by 533.25, so fractional function need to be used, the PLL software driver will get a best output pixel clock frequency, and finally PLLDV[MFD] = 39, PLLFD[MFN] = 10240, PLLDV[RFDPHI] = 2, so the output VCO frequency will be 1066.5 MHz and pixel clock frequency will be 533.25 MHz.

The VCO frequency of this PLL cannot be changed during runtime, it can be changed only at startup. Therefore, the output frequencies are limited and might not match the requested frequency. To work around this restriction, the user can specify the required VCO frequency value in DTS.

The following parameters for different pixel clock frequency with best MFD(44) value are verified:

Pixel Clock Frequency (MHz)	MULT(MFD)	DIV(rfdphi1)	Actual Frequency (MHz)	Differences (MHz)
27	44	44	27	0
54	44	22	54	0
74.25	44	16	74.25	0
99	44	12	99	0
148.5	44	8	148.5	0
198	44	6	198	0
297	44	4	297	0
594	44	2	594	0
40	40	27	40	0
108	44	11	108	0
135	40	8	135	0
162	42	7	162	0
396	44	3	396	0
536	39	2	526.5	9.5
533.25	39	2	526.5	6.27
74.44	44	16	74.25	0.19
27.027	44	44	27	0.027

User can specify the required VCO frequency:

- User can add VCO frequency as a DT node in the dts file to drive the request rate. For more information, refer to DT bindings (*fsl, plldig.yaml*).

For example, add VCO frequency as a DT node for 4k resolution.

```
&dpclk {
    vco-frequency = <1066500000>;
    status = "okay";
};
```

or add VCO frequency as a DT node for 480p resolution.

```
&dpclk {
                                vco-frequency = <1189188000>;
                                status = "okay";
};
```

Verification in Linux

By default, DisplayPort drivers in Layerscape LDP support four resolutions: 480p (720x480p60), 720p (1280x720p60), 1080p (1920x1080p60) and 4k (3840x2160p60).

Follow this procedure to provide support for 480p, 720p, 1080p, or 4k resolution with DisplayPort.

1. Build DP firmware by using bitbake. Execute the following command:

```
bitbake dp-firmware-cadence
```

Then DP firmware "ls1028a-dp-fw.bin" together with EULA file can be found in the directory `build/firmware/dp_firmware_cadence/dp/`.

2. Loading DP firmware in U-Boot

HDP firmware binary is loaded during U-Boot. At U-Boot prompt, copy the firmware binary from any storage medium (NOR flash or SD/eMMC) to DDR memory. Use the following command to load the binary:

```
=> hdp load <address > <offset>
```

where:

- address - address where the firmware binary starts in DDR memory
- offset - IRAM offset in the firmware binary (8192 default)

For example: `=>hdp load 0x98000000 0x2000`

If flash images are built by bitbake, DP firmware is burn in flash or SD card. To know about the location of DP firmware, see LS1028A Memory Layout. Use the following commands to load DP firmware at U-Boot:

- a. Get DP firmware with XSPI flash boot:

```
=> run xspi_hdploadcmd
Trying load HDP firmware from FlexSPI...
SF: Detected mt35xu02g with page size 256 Bytes, erase size 128 KiB, total
 256 MiB
device 0 offset 0x940000, size 0x30000
SF: 196608 bytes @ 0x940000 Read: OK
Loading hdp firmware from 0x00000000a0000000 offset 0x0000000000002000
Loading hdp firmware Complete
```

- b. Get DP firmware with SD boot

```
=> run sd_hdploadcmd
Trying load HDP firmware from SD..
Device: FSL_SDHC
Manufacturer ID: 3
OEM: 5054
Name: SL16G
Bus Speed: 50000000
Mode : SD High Speed (50MHz)
Rd Block Len: 512
SD version 3.0
High Capacity: Yes
Capacity: 14.5 GiB
Bus Width: 4-bit
Erase Group Size: 512 Bytes
MMC read: dev # 0, block # 18944, count 512 ... 512 blocks read: OK
Loading hdp firmware from 0x00000000a0000000 offset 0x0000000000002000
```

```
Loading hdp firmware Complete
```

c. Get DP firmware with EMMC boot

```
=> run emmc_hdploadcmd
Trying load HDP firmware from EMMC..
switch to partitions #0, OK
mmc1(part 0) is current device
Device: FSL_SDHC
Manufacturer ID: 13
OEM: 14e
Name: Q2J55
Bus Speed: 52000000
Mode : MMC High Speed (52MHz)
Rd Block Len: 512
MMC version 5.0
High Capacity: Yes
Capacity: 7.1 GiB
Bus Width: 4-bit
Erase Group Size: 512 KiB
HC WP Group Size: 8 MiB
User Capacity: 7.1 GiB WRREL
Boot Capacity: 2 MiB ENH
RPMB Capacity: 4 MiB ENH
MMC read: dev # 1, block # 18944, count 512 ... 512 blocks read: OK
Loading hdp firmware from 0x00000000a0000000 offset 0x0000000000002000
Loading hdp firmware Complete
```

3. Setting bootargs to specify the display resolution and CMA memory size

- To support 480p resolution, add the following argument to bootargs (the minimum CMA size is 64M bytes):

```
video=720x480-32@60 cma=256M
```

- To support 720p resolution, add the following argument to bootargs:

```
video=1280x720-32@60 cma=256M
```

- To support 1080p resolution, add the following argument to bootargs:

```
video=1920x1080-32@60 cma=256M
```

- To support 4k resolution, add the following arguments to bootargs:

```
video=3840x2160-32@60 cma=256M
```

4. Loading the below display related modules when system boot up is done

```
# insmod drm_panel_orientation_quirks.ko
# insmod drm.ko
# insmod drm_kms_helper.ko
# insmod imx_hdp_common.ko
# insmod mali-dp.ko
# insmod imx-hdptx.ko
```

After executing the above steps, you can see “Please wait: booting” message on the DP.

Refer to the following boot up logs:

```
[ 42.501819] [drm] found Arm Mali-DP500 version r1p2
[ 42.506943] [drm] Resolution 3840x2160@60 is enabled
[ 42.511945] [drm] Resolution 1920x1080@60 is enabled
[ 42.516930] [drm] Resolution 1280x720@60 is enabled
```

```
[ 42.521832] [drm] Resolution 720x480@60 is enabled
[ 42.526645] i.mx8-hdp f1f0000.display: lane mapping 0x4e
[ 42.531979] i.mx8-hdp f1f0000.display: edp_link_rate 0x06
[ 42.537398] i.mx8-hdp f1f0000.display: dp_num_lanes 0x04
[ 42.542796] [drm] Started firmware!
[ 42.546301] [drm] CDN_API_CheckAlive returned ret = 0
[ 42.551373] [drm] Firmware version: 23029, Lib version: 20691
[ 42.557162] [drm] CDN_API_MainControl_blocking (ret = 0 resp = 1)
[ 42.563314] [drm] CDN_API_General_Test_Echo_Ext_blocking (ret = 0 echo_resp =
echo test)
[ 42.571444] [drm] CDN_API_General_Write_Register_blocking ... setting
LANES_CONFIG
[ 42.579017] [drm] pixel engine reset
[ 42.582615] [drm] CDN_*_Write_Register_blocking ... setting LANES_CONFIG 4e
[ 42.591387] [drm] AFE_init
[ 42.594117] [drm] deasserted reset
[ 42.597616] Wait for A2 ACK
[ 42.622094] [drm] AFE_power exit
[ 42.625342] [drm] CDN_API_DPTX_SetVideo_blocking (ret = 0)
[ 42.631035] mali-dp f080000.display: bound f1f0000.display (ops
imx_hdp_imx_ops [imx_hdptx])
[ 42.639685] [drm] Supports vblank timestamp caching Rev 2 (21.10.2013).
[ 42.646334] [drm] No driver support for vblank timestamp query.
[ 42.652655] [drm] Initialized mali-dp 1.0.0 20160106 for f080000.display on
minor 0
[ 42.660407] i.mx8-hdp f1f0000.display: No EDID function, use default video
mode
[ 42.672016] [drm] pixel engine reset
[ 42.672030] [drm] CDN_*_Write_Register_blocking ... setting LANES_CONFIG 4e
[ 42.673818] [drm] AFE_init
[ 42.673838] [drm] deasserted reset
[ 42.673928] Wait for A2 ACK
[ 42.695986] [drm] AFE_power exit
[ 42.695994] [drm] CDN_API_DPTX_SetVideo_blocking (ret = 0)
[ 42.696014] [drm] CDN_API_DPTX_SetHostCap_blocking (ret = 0)
[ 42.698821] [drm] INFO: Full link training started
[ 42.701245] [drm] INFO: Clock recovery phase finished
[ 42.702064] [drm] INFO: Channel equalization phase finished
[ 42.702066] [drm] (last part meaning training finished)
[ 42.702097] [drm] INFO: Get Read Link Status (ret = 0) resp: rate: 20,
[ 42.702099] [drm] lanes: 4, vswing 0..3: 2 2 2, preemp 0..3: 1 1 1
[ 42.702284] [drm] CDN_API_DPTX_Set_VIC_blocking (ret = 0)
[ 42.702290] [drm] CDN_API_DPTX_SetVideo_blocking (ret = 0)
[ 42.703462] Console: switching to colour frame buffer device 240x67
[ 42.812209] mali-dp f080000.display: fb0: mali-dpdrmf frame buffer device
[ 42.832364] [drm] HDMI/DP Cable Plug In
```

6.5.20 FlexTimer (FTM)

Description

The module can provide functions, such as PWM, clock source, wake-up source. Currently, only wake-up source and PWM are supported on Layerscape platforms.

Kernel Configure Tree View Options

- Use FlexTimer as wake-up source

```
-> Device Drivers
    -> Real Time Clock
```

-> <*> Freescale FlexTimer alarm timer

• Use FlexTimer as PWM

-> Device Drivers
 -> Pulse-Width Modulation (PWM) Support
 -> <M> Freescale FlexTimer Module (FTM) PWM support

Compile-time Configuration Options

Config	Values	Default Value	Description
CONFIG_RTC_DRV_FSL_FTM_ALARM	y/m/n	y	Use FlexTimer as wake-up source
CONFIG_PWM_FSL_FTM	y/m/n	m	Use FlexTimer as PWM

Source Files

The driver source is maintained in the Linux kernel source tree.

Source File	Description
drivers/rtc/rtc-fsl-ftm-alarm.c	Linux FlexTimer alarm timer driver
drivers/pwm/pwm-fsl-ftm.c	Linux FlexTimer PWM driver

Device Tree Binding

	Property	Type	Status	Description
Use FlexTimer as wake-up source	compatible	String	Required	Should be <code>fsl,<soc>-ftm-alarm</code>
	reg	Integer	Required	Should contain Flex Timer registers location and length
	interrupts	Integer	Required	Should contain Flex Timer interrupt
	fsl,rcpm-wakeup	Integer	Required	Should specify register's value of rcpm
	big-endian	String	Optional	It is little-endian if the property is not specified.
Use FlexTimer as PWM	compatible	String	Required	Should be <code>fsl,vf610-ftm-pwm</code>
	#pwm-cells	Integer	Required	Should be 3. See <code>pwm.yaml</code> in this directory for a description of the cells format.
	reg	Integer	Required	Should contain Flex Timer registers location and length
	clock-names	Integer	Required	Should include the following module clock source entries:

	Property	Type	Status	Description
				<ul style="list-style-type: none"> • <code>ftm_sys</code> - module clock, also can be used as counter clock • <code>ftm_ext</code> - external counter clock • <code>ftm_fix</code> - fixed counter clock • <code>ftm_cnt_clk_en</code> - external and fixed counter clock enable/disable
	<code>clocks</code>	Integer	Required	Must contain a phandle and clock specifier for each entry in <code>clock-names</code> . See <code>clock/clock-bindings.txt</code> for details of the property values.
	<code>big-endian</code>	Boolean	Optional	It is little-endian if the property is not specified.

Example (use FlexTimer as wake-up source):

```
aliases
{
    rtc1 = &ftm_alarm0;
};
rcpm: rcpm@1ee208c
{
    compatible = "fsl,ls1046a-rcpm", "fsl,goriq-rcpm-2.1+";
    reg = <0x0 0x1ee208c 0x0 0x4>;
    #fsl,rcpm-wakeup-cells = <1>;
};
ftm_alarm0: timer@29d0000
{
    compatible = "fsl,ls1046a-ftm-alarm";
    reg = <0x0 0x29d0000 0x0 0x10000>;
    fsl,rcpm-wakeup = <&rcpm 0x20000>;
    interrupts = <GIC_SPI 86 IRQ_TYPE_LEVEL_HIGH>;
    big-endian;
};
```

Example (use FlexTimer as PWM on LS1028ARDB):

```
arch/arm64/boot/dts/freescale/fsl-ls1028a.dtsi
rtc_clk: rtc-clk
{
    compatible = "fixed-clock";
    #clock-cells = <0>;
    clock-frequency = <32000>;
    clock-output-names = "rtc_clk";
};
pwm0: pwm@2800000
{
    compatible = "fsl,vf610-ftm-pwm";
    #pwm-cells = <3>;
```

```

reg = <0x0 0x2800000 0x0 0x10000>;
clock-names = "ftm_sys", "ftm_ext",
"ftm_fix", "ftm_cnt_clk_en";
clocks = <&clockgen 4 1>, <&clockgen 4 1>, <&fixed_clk>, <&clockgen 4 1>;
status = "disabled";
};
arch/arm64/boot/dts/freescale/fsl-ls1028a-rdb.dts
&pwm0
{
    status = "okay";
};

```

Verification in Linux (Use FlexTimer as wake-up source):

```

root@ls1046a:~# cat /sys/power/mem_sleep (check whether system support deep
sleep mode)
s2idle [deep]
root@ls1046a:~# echo deep > /sys/power/mem_sleep (set deep sleep mode when
suspend to memory,it's optional)
root@ls1046a:~# echo 0 > /sys/class/rtc/rtc1/wakealarm;echo +10>/sys/class/rtc/
rtc1/wakealarm && echo mem > /sys/power/state (wake up system in deep sleep mode
after 10 seconds)
[ 32.844947] PM: suspend entry (deep)
[ 32.849256] Filesystems sync: 0.000 seconds
[ 32.853822] Freezing user space processes ... (elapsed 0.001 seconds) done.
[ 32.861900] OOM killer disabled.
[ 32.865128] Freezing remaining freezable tasks ... (elapsed 0.001 seconds)
done.
[ 32.873596] printk: Suspending console(s) (use no_console_suspend to debug)
[ 32.898188] Disabling non-boot CPUs ...
[ 32.898389] IRQ 51: no longer affine to CPU1
[ 32.898392] IRQ 55: no longer affine to CPU1
[ 32.898395] IRQ 59: no longer affine to CPU1
[ 32.898418] CPU1: shutdown
[ 32.916673] psci: Retrying again to check for CPU kill
[ 32.916676] psci: CPU1 killed.
[ 32.917127] IRQ 52: no longer affine to CPU2
[ 32.917130] IRQ 56: no longer affine to CPU2
[ 32.917133] IRQ 60: no longer affine to CPU2
[ 32.917149] CPU2: shutdown
[ 32.936666] psci: Retrying again to check for CPU kill
[ 32.936669] psci: CPU2 killed.
[ 32.937101] IRQ 53: no longer affine to CPU3
[ 32.937104] IRQ 57: no longer affine to CPU3
[ 32.937107] IRQ 61: no longer affine to CPU3
[ 32.937130] CPU3: shutdown
[ 32.956665] psci: Retrying again to check for CPU kill
[ 32.956668] psci: CPU3 killed.
[ 32.957001] Enabling non-boot CPUs ...
[ 32.957255] Detected PIPT I-cache on CPU1
[ 32.957290] CPU1: Booted secondary processor 0x0000000001 [0x410fd082]
[ 32.957546] CPU1 is up
[ 32.957693] Detected PIPT I-cache on CPU2
[ 32.957712] CPU2: Booted secondary processor 0x0000000002 [0x410fd082]
[ 32.957896] CPU2 is up
[ 32.958044] Detected PIPT I-cache on CPU3
[ 32.958063] CPU3: Booted secondary processor 0x0000000003 [0x410fd082]
[ 32.958265] CPU3 is up
[ 34.282897] atal: SATA link down (SStatus 0 SControl 300)
[ 34.284480] OOM killer enabled.

```

```
[ 34.347864] Restarting tasks ...
[ 34.347959] usb 1-1: USB disconnect, device number 2
[ 34.348301] done.
[ 34.358237] PM: suspend exit
```

Verification in Linux (Use FlexTimer as PWM):

```
Enabling the pwm (FTM1_CH1, channel start from 0)
# echo 1 > /sys/class/pwm/pwmchip0/export
Configuring the pwm period, duty cycle, and polarity
# echo 1000000000 > /sys/class/pwm/pwmchip0/pwm1/period (1000000000 nanoseconds
as period, 1 s)
# echo 500000000 > /sys/class/pwm/pwmchip0/pwm1/duty_cycle (50% duty cycle, 0.5
s)
# echo 'normal' > /sys/class/pwm/pwmchip0/pwm1/polarity (whether the 'on' time
of the signal is active high or active low. Set the polarity to active high.)
Enable pwm
# echo 1 > /sys/class/pwm/pwmchip0/pwm0/enable
Disable pwm
# echo 0 > /sys/class/pwm/pwmchip0/pwm0/enable
```

Note:

- Needs to be used as RTC1, unless system gets wrong time, because FlexTimer module is not an RTC.
- FlexTimer alarm timer driver depends on the RCPM driver.
- All FlexTimer modules cannot be used as PWM and wake-up source at the same time.

6.5.21 Inter-Integrated Circuit (I2C)

Description

This section provides details about I2C function.

Kernel configure tree view options

```
Kernel configure tree view options

-> Device Drivers
  -> I2C support
    -> I2C support (I2C [=y])
      -> I2C Hardware Bus support
        <*> IMX I2C interface
```

Compile-time configuration options

Option	Value	Default value	Description
CONFIG_I2C_IMX	y/m/n	y	Enable I2C module

Source files

The driver source is maintained in the Linux kernel source tree.

Source file	Description
drivers/i2c/busses/i2c-imx.c	Linux I2C driver

Device tree binding

For more information on Device tree binding, see [documentation/devicetree/bindings/i2c/i2c-imx.txt](#).

Property	Type	Status	Description
compatible	string	Required	Should be 'fsl,vf610-i2c'
reg	integer	Required	Should contain I2C/HS-I2C registers location and length
interrupts	integer	Required	Should contain I2C/HS-I2C interrupt
clocks	integer	Required	Should contain the I2C/HS-I2C clock specifier

```

Example:
i2c1: i2c@2190000 {
    compatible = "fsl,vf610-i2c";
    #address-cells = <1>;
    #size-cells = <0>;
    reg = <0x0 0x2190000 0x0 0x10000>;
    interrupts = <GIC_SPI 57 IRQ_TYPE_LEVEL_HIGH>;
    clocks = <&clockgen 4 1>;
    status = "disabled";
};
&i2c1 {
    status = "okay";
};
    
```

Verification in U-Boot

```

U-Boot log:
=> help i2c
i2c - I2C sub-system
Usage:
i2c bus [muxtype:muxaddr:muxchannel] - show I2C bus info
i2c crc32 chip address[.0, .1, .2] count - compute CRC32 checksum
i2c dev [dev] - show or set current I2C bus
i2c loop chip address[.0, .1, .2] [# of objects] - looping read of device
i2c md chip address[.0, .1, .2] [# of objects] - read from I2C device
i2c mm chip address[.0, .1, .2] - write to I2C device (auto-incrementing)
i2c mw chip address[.0, .1, .2] value [count] - write to I2C device (fill)
i2c nm chip address[.0, .1, .2] - write to I2C device (constant address)
i2c probe [address] - test for and show device(s) on the I2C bus
i2c read chip address[.0, .1, .2] length memaddress - read to memory
i2c write memaddress chip address[.0, .1, .2] length [-s] - write memory
to I2C; the -s option selects bulk write in a single transaction
i2c flags chip [flags] - set or get chip flags
i2c olen chip [offset_length] - set or get chip offset length
i2c reset - re-init the I2C Controller
i2c speed [speed] - show or set I2C bus speed
=> i2c bus
Bus 0: i2c@2000000 (active 0)
77: i2c-mux@77, offset len 1, flags 0
66: generic_66, offset len 1, flags 0
57: generic_57, offset len 1, flags 0
Bus 1: i2c@2000000->i2c-mux@77->i2c@3
51: rtc@51, offset len 1, flags 0
Bus 2: i2c@2010000
    
```

```

Bus 3: i2c@2020000
Bus 4: i2c@2030000
Bus 5: i2c@2040000
Bus 6: i2c@2050000
Bus 7: i2c@2060000
Bus 8: i2c@2070000
=> i2c dev 0
Setting bus to 0
=> i2c probe
Valid chip addresses: 00 50 52 53 57 66 67 77 7c
=> i2c speed
Current bus speed=100000
=> i2c dev 1
Setting bus to 1
=> i2c probe
Valid chip addresses: 00 4c 51 66 67 77 7c
=> i2c md 0x51 0
0000: 07 fb 17 21 14 05 04 09 19 80 80 80 80 80 00 03 ...!.....

```

Verification in Linux

```

root@ls1028a:~# i2c
i2cdetect i2cdump i2cget i2cset
root@ls1028a:~# i2cdetect -l
i2c-3 i2c i2c-0-mux (chan_id 2) I2C adapter
i2c-1 i2c i2c-0-mux (chan_id 0) I2C adapter
i2c-8 i2c i2c-0-mux (chan_id 7) I2C adapter
i2c-6 i2c i2c-0-mux (chan_id 5) I2C adapter
i2c-4 i2c i2c-0-mux (chan_id 3) I2C adapter
i2c-2 i2c i2c-0-mux (chan_id 1) I2C adapter
i2c-0 i2c 2000000.i2c I2C adapter
i2c-7 i2c i2c-0-mux (chan_id 6) I2C adapter
i2c-5 i2c i2c-0-mux (chan_id 4) I2C adapter
root@ls1028a:~# i2cdetect -y 1
 0  1  2  3  4  5  6  7  8  9  a  b  c  d  e  f
00: -- -- -- -- -- -- -- -- -- -- -- -- -- -- --
10: -- -- -- -- -- -- -- -- -- -- -- -- -- -- --
20: -- -- -- -- -- -- -- -- -- -- -- -- -- -- --
30: -- -- -- -- -- -- -- -- -- -- -- -- -- -- --
40: -- -- -- -- -- -- -- -- -- -- -- -- -- -- --
50: 50 -- 52 53 -- -- -- 57 -- -- -- -- -- -- --
60: -- -- -- -- -- -- 66 67 -- -- -- -- -- -- --
70: -- -- -- -- -- -- -- UU
root@ls1028a:~# i2cdump -y 1 0x66
No size specified (using byte-data access)
 0  1  2  3  4  5  6  7  8  9  a  b  c  d  e  f  0123456789abcdef
00: 47 01 06 c9 36 00 00 00 00 00 00 2f ff 00 00 00  G???6...../....
10: 10 00 00 00 00 00 00 00 00 00 00 00 00 01 00 7f  ?.....?..?
20: 00 00 00 00 00 cb ff ff ff 00 00 00 00 00 00 00  ....?.....
30: 02 00 00 00 00 00 00 00 00 00 00 00 00 00 00 00  ?.....
40: 30 00 33 00 00 00 00 00 00 00 00 00 00 00 00 00  0.3.....
50: 00 02 00 04 08 e0 e0 00 00 00 00 00 00 00 00 00  .?..????.
60: ff 7f ff ff ff ff ff 00 00 00 00 ff 00 00 00 00  .?.....
70: 00 00 00 00 00 00 00 00 00 00 00 00 00 00 00 00  .....
80: 1c 00 00 00 00 00 00 00 00 00 00 00 00 00 00 00  ?.....
90: f7 ff ff 00 00 00 00 00 00 00 00 00 00 00 00 00  ?.....
a0: 00 00 00 00 00 00 00 00 00 00 00 00 00 00 00 00  .....
b0: 00 00 00 00 00 00 00 00 00 00 00 00 00 00 00 00  .....
c0: 00 00 00 00 00 00 00 00 00 00 00 00 00 00 00 00  .....
d0: 00 00 00 00 00 00 00 00 00 00 03 00 00 00 00 00  .....?.....

```

```
e0: 00 00 00 00 00 00 00 00 00 00 00 00 00 00 00 00 .....
f0: 00 00 00 00 00 00 00 00 00 00 00 00 00 00 00 00 .....
root@ls1028a:~# i2cget -y 1 0x66 0x50
0x00
root@ls1028a:~# i2cset -y 1 0x66 0x50 0x4
root@ls1028a:~# i2cget -y 1 0x66 0x50
0x04
```

6.5.22 Watchdog

The Watchdog module is used to apply a reset to the system in an event of a software failure. It also provides a way of recovering from software crashes.

6.5.22.1 U-Boot

With default configuration of Layerscape LDP, watchdog should be ready to use. Below are related CONFIG files to select.

Configure Tree View Options

U-Boot configure tree view options	Description
Device Drivers ---> [*] Watchdog Timer Support ---> [*] Enable driver model for watchdog timer drivers (WDT [=y]) [*] SBSA watchdog timer support	SBSA Watchdog Timer (worked on LX2160A)
Device Drivers ---> [*] Watchdog Timer Support ---> [*] Enable driver model for watchdog timer drivers (WDT [=y]) [*] SP805 watchdog timer support	SP805 Watchdog Timer (worked on LS1028A)

Device tree

```
SBSA:
    watchdog@23a0000 {
        compatible = "arm,sbsa-gwdt";
        reg = <0x0 0x23a0000 0 0x1000>,
              <0x0 0x2390000 0 0x1000>;
        timeout-sec = <30>;
    };
SP805:
    cluster1_core0_watchdog: wdt@c000000 {
        compatible = "arm,sp805-wdt";
        reg = <0x0 0xc000000 0x0 0x1000>;
    };
```

Source Files

Source File	Description
drivers/watchdog/sbsa_gwdt.c	SBSA Generic Watchdog Timer
drivers/watchdog/sp805_wdt.c	SP805 Watchdog Timer

Verification

- Use wdt command to test under U-Boot
 - Run command “wdt list” to list watchdog devices
 - Run command “wdt dev [<name>]” to set current watchdog device
 - Run command “wdt expire” to expire watchdog timer immediately

```
=> wdt list
watchdog@23a0000 (sbsa_gwdt)
=> wdt dev watchdog@23a0000
=> wdt expire
```

6.5.22.2 Kernel configure options

Kernel configure tree view options	Description
<pre>Device Drivers ---> [*] Watchdog Timer Support ---> <*> IMX2+ Watchdog</pre>	<p>IMX2 Watchdog Timer (worked on LS1021A, LS1012A, LS1043A, and LS1046A)</p>
<pre>Device Drivers ---> [*] Watchdog Timer Support ---> <*> Arm SP805 Watchdog</pre>	<p>SP805 Watchdog Timer (worked on LS1088A, LS208xA, and LS1028A)</p>
<pre>Device Drivers ---> [*] Watchdog Timer Support ---> <*> ARM SBSA Generic Watchdog</pre>	<p>SBSA Generic Watchdog Timer (worked on LX2160A)</p>

6.5.22.3 Compile-time configuration options

Option	Values	Default value	Description
CONFIG_IMX2_WDT	y/m/n	y	IMX2 Watchdog Timer
CONFIG_ARM_SP805_WATCHDOG	y/m/n	y	SP805 Watchdog Timer
CONFIG_ARM_SBSA_WATCHDOG	y/m/n	y	SBSA Generic Watchdog Timer

6.5.22.4 Device tree

- IMX2 Watchdog Timer:

```
wdog0: wdog@2ad0000 {
    compatible = "fsl,ls1043a-wdt", "fsl,imx21-wdt";
    reg = <0x0 0x2ad0000 0x0 0x10000>;
    interrupts = <0 83 0x4>;
    clocks = <&clockgen 4 0>;
    clock-names = "wdog";
    big-endian;
};
```

- SP805 Watchdog Timer:

```
cluster1_core0_watchdog: wdt@c000000 {
    compatible = "arm,sp805", "arm,primecell";
    reg = <0x0 0xc000000 0x0 0x1000>;
```

```
clocks = <&clockgen 4 15>, <&clockgen 4 15>;
clock-names = "apb_pclk", "wdog_clk";
};
```

• **SBSA Generic Watchdog Timer:**

```
watchdog@23a0000 {
    compatible = "arm,sbsa-gwdt";
    reg = <0x0 0x23a0000 0 0x1000>,
    <0x0 0x2390000 0 0x1000>;
    interrupts = <GIC_SPI 59 IRQ_TYPE_LEVEL_HIGH>;
    timeout-sec = <30>;
};
```

6.5.22.5 Source files

The driver source is maintained in the Linux kernel source tree.

Source file	Description
drivers/watchdog/imx2_wdt.c	IMX2 Watchdog Timer
drivers/watchdog/sp805_wdt.c	SP805 Watchdog Timer
drivers/watchdog/sbsa_gwdt.c	SBSA Generic Watchdog Timer

6.5.22.6 Verification in Linux

- Boot-up Linux with Ubuntu, user can install watchdog by commands `sudo apt update; sudo apt install watchdog` if it is not installed.
- In `/etc/watchdog.conf`:
 - Configure watchdog device to be used. Refer the third point in the **Note** below to identify the correct device.
Example: `watchdog-device = /dev/watchdog0`
 - assign timeout to `watchdog-timeout` in seconds. Default value is 60 s, if `watchdog-timeout` is not defined in Ubuntu.
Example: `watchdog-timeout = 30`
- Then kill watchdog daemon and the system will reset after timeout.

```
root@ls1028ardb:~# pkill -9 watchdog
root@ls1028ardb:~# pkill -9 wd_keeplive
```

Note:

- For **SBSA watchdog**, the first interrupt is not enabled by default. Setting `sbsa-gwdt.action` to 1 in U-Boot bootargs could enable it.
- **SBSA watchdog on LX2160A will not reset the kernel but get kernel panic.**
- There may be more than one watchdog device, so need to check which device file (`/dev/watchdogx`, x can be 0, 1, 2 ...) can be used. PCF2127/9 which actually is RTC device may be registered as watchdog due to Linux new feature. Use the following commands to check the relationship between watchdog hardware device and device file.
 - Use the command: `cat /sys/class/watchdog/watchdog0/device/uevent` For example:

```
root@rdb:/# cat /sys/class/watchdog/watchdog0/device/uevent
DRIVER=rtc-pcf2127-i2c
OF_NAME=rtc
```



```
OF_FULLNAME=/soc/i2c@2040000/rtc@51
OF_COMPATIBLE_0=nxp,pcf2129
OF_COMPATIBLE_N=1
MODALIAS=of:NrtcT(null)Cnxp,pcf2129
root@rdb:/# cat /sys/class/watchdog/watchdog1/device/uevent
DRIVER=sbsa-gwdt
OF_NAME=watchdog
OF_FULLNAME=/soc/watchdog@23a0000
OF_COMPATIBLE_0=arm,sbsa-gwdt
OF_COMPATIBLE_N=1
MODALIAS=of:NwatchdogT(null)Carm,sbsa-gwdt
```

– or use the command: `ls -l sys/class/watchdog/watchdog0/device/driver` For example:

```
root@rdb:/# ls -l sys/class/watchdog/watchdog0/device/driver
lrwxrwxrwx 1 root root 0 Feb 28 18:05 sys/class/watchdog/watchdog0/device/
driver -> ../../../../../../bus/i2c/drivers/rtc-pcf2127-i2c
root@rdb:/# ls -l sys/class/watchdog/watchdog1/device/driver
lrwxrwxrwx 1 root root 0 Feb 28 18:05 sys/class/watchdog/watchdog1/device/
driver -> ../../../../../../bus/platform/drivers/sbsa-gwdt
```

6.5.23 GPIO

The U-Boot and Linux kernel support MPC8XXX GPIO controllers.

U-Boot

- Kernel Configure Tree View Options

Kernel configure tree view options	Description
<pre>Device Drivers --> GPIO Support -- > [*] Enable Driver Model for GPIO drivers [*] Freescale MPC8XXX GPIO driver Command line interface -> Device access commands -> [*] gpio</pre>	<ul style="list-style-type: none"> • Enable DM_GPIO • Select GPIO MPC8XXX driver • Enable CMD_GPIO option to test GPIO at U-Boot

- Source Files

Source File	Description
drivers/gpio/mpc8xxx_gpio.c	GPIO MPC8XXX driver

- Device Tree (arch/arm/dts/fsl-ix2160a.dtsi)

```
gpio3: gpio@2330000 {
    compatible = "fsl,goriq-gpio";
    reg = <0x0 0x2330000 0x0 0x10000>;
    interrupts = <0 37 4>;
    gpio-controller;
    little-endian;
    #gpio-cells = <2>;
    interrupt-controller;
    #interrupt-cells = <2>;
};
```

Linux kernel

• Kernel Configure Tree View Options

Kernel configure tree view options	Description
<pre>Device Drivers --> *- GPIO Support --> [*] /sys/class/gpio/... (sysfs interface) Memory mapped GPIO drivers --> [*] MPC512x/MPC8xxx/QorIQ GPIO support</pre>	<ul style="list-style-type: none"> • Add a sysfs interface for GPIOs • Select GPIO MPC8XXX driver

• Source files

The driver source is maintained in the Linux kernel source tree.

Source File	Description
drivers/gpio/gpio-mpc8xxx.c	GPIO MPC8XXX driver

• Device Tree

Note: See *Documentation/devicetree/bindings/gpio/gpio-mpc8xxx.txt* and *Documentation/devicetree/bindings/gpio/gpio.txt* for more details.

```
arch/arm64/boot/dts/freescale/fsl-lx2160a.dtsi
    gpio0: gpio@2300000 {
        compatible = "fsl,goriq-gpio";
        reg = <0x0 0x2300000 0x0 0x10000>;
        interrupts = <GIC_SPI 36 IRQ_TYPE_LEVEL_HIGH>;
        gpio-controller;
        little-endian;
        #gpio-cells = <2>;
        interrupt-controller;
        #interrupt-cells = <2>;
    };
```

Verify on LX2160AQDS (Both U-Boot and Linux kernel)

- Update RCW to enable GPIO4
 - LX2160ARM

835-834	EC2_PMUX	EC2 Pin Configuration	Configures the functionality of the EC2 pins
			0b00 - WRIOP MAC 18 RGMII 0b01 - GPIO_4[23:12] 0b10 - TSEC_1588_ALARM_OUT2,TSEC_1588_ALA RM_OUT1, TSEC_1588_CLK_OUT,TSEC_1588_PULSE_ OUT2,TSEC_1588_PULSE_OUT1 0b11 - Reserved

Figure 37. EC2_PMUX

– For LX2162AQDS: Update RCW source file (for example, lx2160aqds/FFGG_XXXX_PPPP_HHHHH_PPPP_PPPP_19_5_2/rcw_2000_700_2900_19_5_2.rcw)

Because LX2160AQDS RCW file soft links LX2160ARDB RCW file, as follows:

```

lx2160aqds/FFGG_XXXX_PPPP_HHHHH_PPPP_PPPP_19_5_2/rcw_2000_700_2900_19_5_2.rcw
-> ../../lx2160ardb/XGGFF_PP_HHHH_19_5_2/rcw_2000_700_2900_19_5_2.rcw

diff --git a/lx2160ardb/XGGFF_PP_HHHH_19_5_2/rcw_2000_700_2900_19_5_2.rcw b/
lx2160ardb/XGGFF_PP_HHHH_19_5_2/rcw_2000_700_2900_19_5_2.rcw
index 1ecf757..45a605a 100644
--- a/lx2160ardb/XGGFF_PP_HHHH_19_5_2/rcw_2000_700_2900_19_5_2.rcw
+++ b/lx2160ardb/XGGFF_PP_HHHH_19_5_2/rcw_2000_700_2900_19_5_2.rcw
@@ -40,6 +40,7 @@ SRDS_PLL_REF_CLK_SEL_S1=2
SRDS_DIV_PEX_S1=1
SRDS_DIV_PEX_S2=3
SRDS_DIV_PEX_S3=1
+EC2_PMUX=1
/* Errata to write on scratch reg for validation */
#include <../lx2160asi/scratchrwl.rcw>
    
```

– For LX2160ARDB: Update RCW source file (lx2160ardb/XGGFF_PP_HHHH_RR_19_5_2/rcw_2000_700_2900_19_5_2_sd.rcw)

```

diff --git a/lx2160ardb/XGGFF_PP_HHHH_RR_19_5_2/
rcw_2000_700_2900_19_5_2_sd.rcw b/lx2160ardb/XGGFF_PP_HHHH_RR_19_5_2/
rcw_2000_700_2900_19_5_2_sd.rcw
index b51072c..1aadf55 100644
--- a/lx2160ardb/XGGFF_PP_HHHH_RR_19_5_2/rcw_2000_700_2900_19_5_2_sd.rcw
+++ b/lx2160ardb/XGGFF_PP_HHHH_RR_19_5_2/rcw_2000_700_2900_19_5_2_sd.rcw
@@ -20,6 +20,7 @@ CGA_PLL1_RAT=20
CGA_PLL2_RAT=20
CGB_PLL1_RAT=20
CGB_PLL2_RAT=7
+EC2_PMUX=1
C5_PLL_SEL=0
C6_PLL_SEL=0
C7_PLL_SEL=0
    
```

- Flash rebuilt RCW image to LX2160ARDB, then boot to U-Boot console, execute below command to set BRDCFG4 bit 7 to 1'b1

```
=> i2c mw 66 54 80
```

– LX2160ARDB PCB and Schematic:

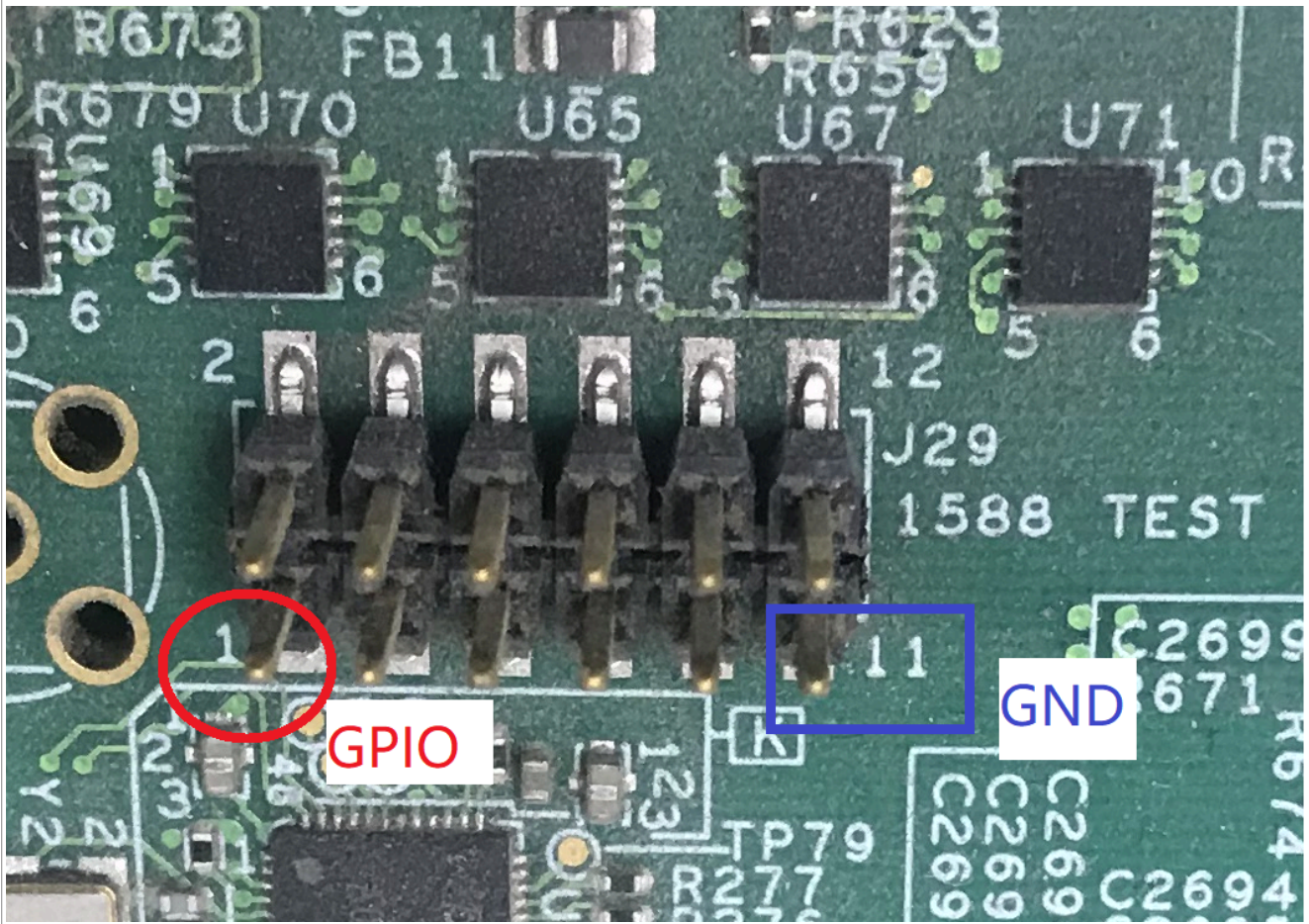


Figure 38. GPIO pin on LX2160ARDB

IEEE-1588 Access Header

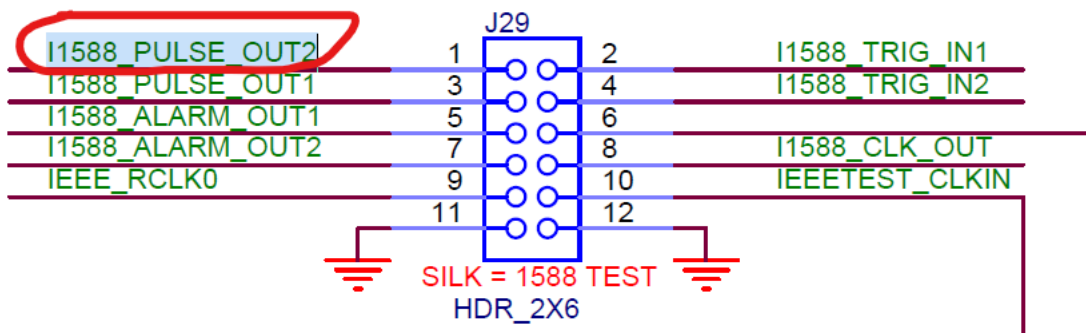


Figure 39. IEEE-1588 access header LX2160ARDB schematics diagram

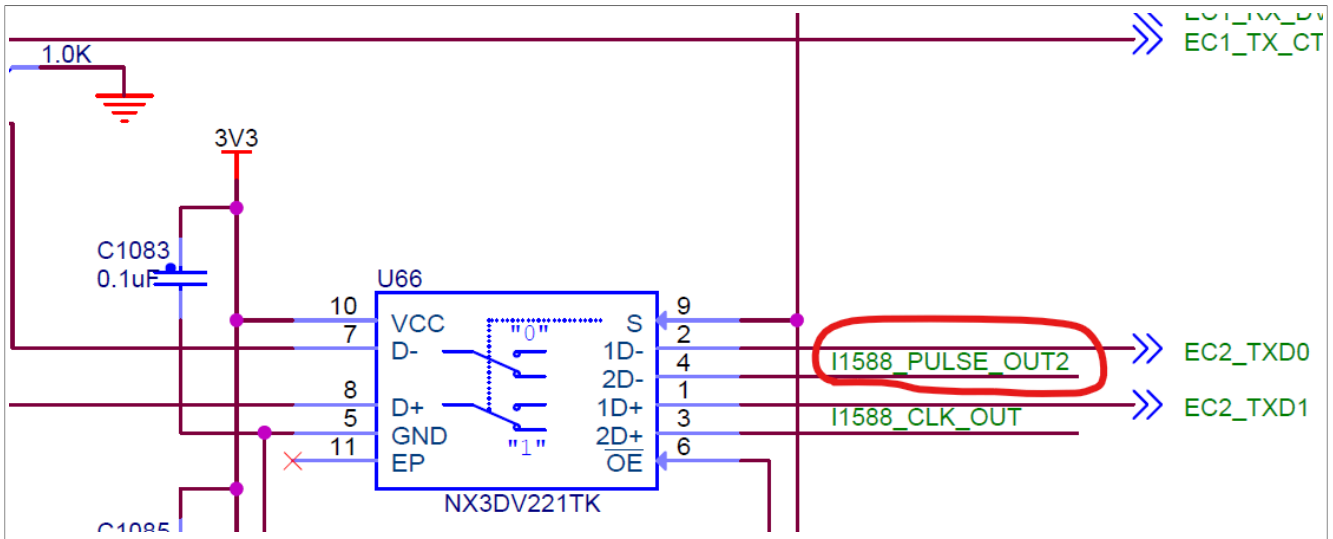


Figure 40. NX3DV221TK schematics diagram

– LX2160ARDBRM: Chip U66 NX3DV221TK’s select signal is connected to CPLD’s CFG_MUX_EC2

Field	Function
7 EC2	Ethernet2 Configuration (net CFG_MUX_EC2): 0= Processor EC2 pins connect to Ethernet PHY #2. <u>1= Processor EC2 pins connect IEEE slot (alternate function).</u>

Figure 41. CFG_MUX_EC2 configuration signal

- Flash rebuilt RCW image to LX2160AQDS, then boot to U-Boot console, execute below command to set BRDCFG5 bit 2 to 1'b1

```
=> i2c mw 66 55 64
```

– LX2160AQDS PCB and Schematic:

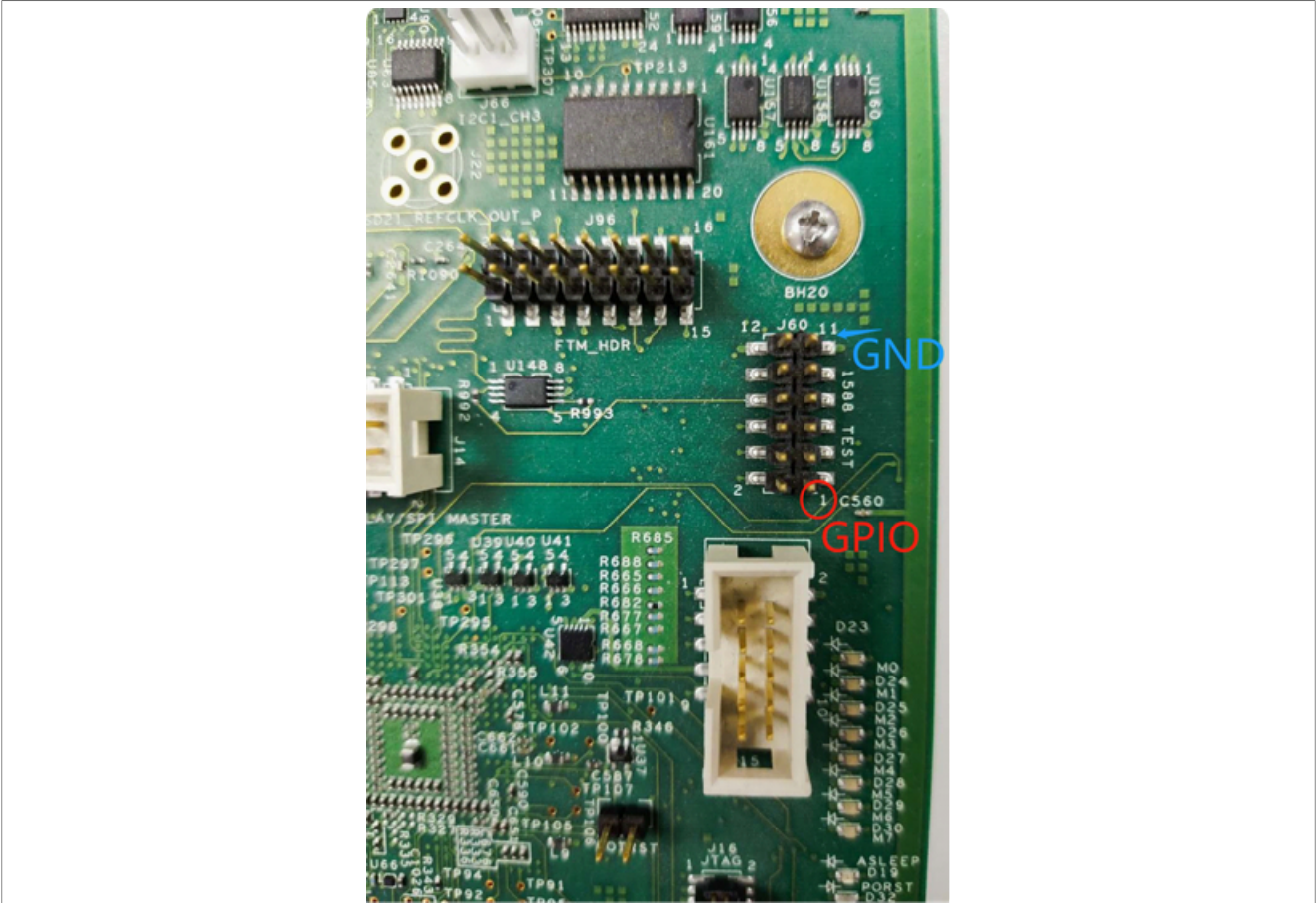


Figure 42. GPIO pin on LX2160AQDS

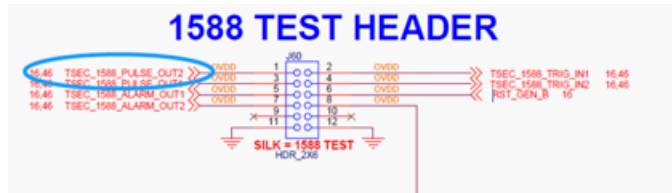


Figure 43. IEEE-1588 access header LX2160AQDS schematics diagram

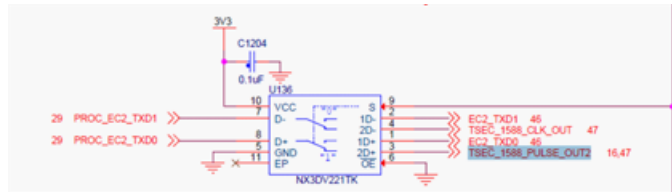


Figure 44. NX3DV221TK schematics diagram

– LX2160AQDSRM: Chip U136 NX3DV221TK's select signal is connected to CPLD's CFG_MUX_EC2_S

Table 2-15. RGMII configuration and setup

Configuration signal	Controlled by	Description
CFG_MUX_EC2_S	BRDCFG5[2]	<ul style="list-style-type: none"> • 0: Selects RGMII2 interface • 1: Selects IEEE-1588 and GPIO interfaces

Figure 45. CFG_MUX_EC2_S configuration signal

- Boot to U-Boot console.

- Set BRDCFG5[2] to 1'b1 and get status.

```
=> i2c mw 66 55 64
=> gpio
gpio - query and control gpio pins
Usage:
gpio <input|set|clear|toggle> <pin>
    - input/set/clear/toggle the specified pin
gpio status [-a] [<bank> | <pin>] - show [all/claimed] GPIOs
=> gpio status -a
Bank MPC@2320000_:
MPC@2320000_0: input: 0 [ ]
MPC@2320000_1: input: 0 [ ]
...
```

- Verify write.

```
=> gpio set mpc@2330000_15
gpio: pin mpc@2330000_15 (gpio 47) value is 1
=> gpio status mpc@2330000_15
Bank MPC@2330000_:
MPC@2330000_15: output: 1 [ ]
// Measure LX2160AQDS board J60 pin 1 voltage is 1.8V
// Measure LX2160ARDB board J29 pin 1 voltage is 1.8V
=> gpio clear mpc@2330000_15
gpio: pin mpc@2330000_15 (gpio 47) value is 0
=> gpio status mpc@2330000_15
Bank MPC@2330000_:
MPC@2330000_15: output: 0 [ ]
// Measure LX2160AQDS board J60 pin 1 voltage is 0V
// Measure LX2160ARDB board J29 pin 1 voltage is 0V
=> gpio toggle mpc@2330000_15
gpio: pin mpc@2330000_15 (gpio 47) value is 1
=> gpio status mpc@2330000_15
Bank MPC@2330000_:
MPC@2330000_15: output: 1 [ ]
// Measure LX2160AQDS board J60 pin 1 voltage is 1.8V
// Measure LX2160ARDB board J29 pin 1 voltage is 1.8V
=> gpio toggle mpc@2330000_15
gpio: pin mpc@2330000_15 (gpio 47) value is 0
=> gpio status mpc@2330000_15
Bank MPC@2330000_:
MPC@2330000_15: output: 0 [ ]
// Measure LX2160AQDS board J60 pin 1 voltage is 0V
// Measure LX2160ARDB board J29 pin 1 voltage is 0V
```

- Verify read.

```
// Short LX2160AQDS board J60 pin 1 and pin 11 (GND)
// Short LX2160ARDB board J29 pin 1 and pin 11 (GND)
=> gpio input mpc@2330000_15
gpio: pin mpc@2330000_15 (gpio 47) value is 0
// Short LX2160AQDS board J60 pin 1 with a +5V pin
// Short LX2160ARDB board J29 pin 1 with a +5V pin
```

```
=> gpio input mpc@2330000_15
gpio: pin mpc@2330000_15 (gpio 47) value is 1
```

- **Boot to Linux kernel console.**

- **Check GPIO controller**

```
# cat /sys/kernel/debug/gpio
gpiochip3: GPIOs 384-415, parent: platform/2330000.gpio,2330000.gpio:
(represent GPIO4)
gpiochip2: GPIOs 416-447, parent: platform/2320000.gpio, 2320000.gpio:
(represent GPIO3)
gpiochip1: GPIOs 448-479, parent: platform/2310000.gpio, 2310000.gpio:
(represent GPIO2)
gpiochip0: GPIOs 480-511, parent: platform/2300000.gpio, 2300000.gpio:
(represent GPIO1)
```

- **Export GPIO pin.**

```
# echo 399 > /sys/class/gpio/export (399 = 384 + 15, GPIO1_15)
```

- **Verify write.**

```
# echo out > /sys/class/gpio/gpio399/direction
# echo 1 > /sys/class/gpio/gpio399/value
// Measure LX2160AQDS board J60 pin 1 voltage is 1.8V
// Measure LX2160ARDB board J29 pin 1 voltage is 1.8V
# echo 0 > /sys/class/gpio/gpio399/value
// Measure LX2160AQDS board J60 pin 1 voltage is 0V
// Measure LX2160ARDB board J29 pin 1 voltage is 0V
```

- **Verify read.**

```
# echo in > /sys/class/gpio/gpio399/direction
// Short LX2160AQDS board J60 pin 1 and pin 11 (GND)
// Short LX2160ARDB board J29 pin 1 and pin 11 (GND)
# cat /sys/class/gpio/gpio399/value
0
// Short LX2160AQDS board J60 pin 1 with a +5V pin
// Short LX2160ARDB board J29 pin 1 with a +5V pin
# cat /sys/class/gpio/gpio399/value
1
```

- **Verify interrupt.**

```
# echo in > /sys/class/gpio/gpio399/direction
# echo falling > /sys/class/gpio/gpio399/edge
// On LX2160AQDS, short J60 pin 1 and VCC, wait a second, then short
LX2160AQDS board J60 pin 1 and pin 11 (GND)
// On LX2160ARDB, short J29 pin 1 and VCC, wait a second, then short J29 pin
1 and pin 11 (GND)
# cat /proc/interrupts |grep gpio
21: 0 0 0 0 0 0 0 0 0 0 0 0 0 0 0 0 GICv3 68 Level      gpio-cascade, gpio-
cascade
22: 552 0 0 0 0 0 0 0 0 0 0 0 0 0 0 0 GICv3 69 Level      gpio-cascade, gpio-
cascade
117: 552 0 0 0 0 0 0 0 0 0 0 0 0 0 0 0 mpc8xxx-gpio 15 Edge      gpiolib
```

In conclusion:

1. Find a proper pin (the pin can be used as GPIO).
2. Modify and build RCW to convert function of pin to GPIO function.
3. Update RCW to flash SD card.

4. Test it at U-Boot/Linux.

6.5.24 QUICC Engine HDLC/TDM User Manual

6.5.24.1 Linux SDK for QorIQ Processors

6.5.24.2 Description

HDLC, standing for High-level Data Link Control, is one of the most common protocols of the Layer 2 (Data Link Layer) of the seven-layer OSI model. HDLC uses a zero insertion/deletion process (commonly known as bit stuffing) to ensure that the bit pattern of the delimiter flag does not occur in the fields between flags. The HDLC frame is synchronous and therefore relies on the physical layer for a method of clocking and of synchronizing the transmitter/receiver.

The HDLC/TDM driver is implemented by UCC and TSA(HDLC is upper layer protocol of TDM). It enables UCC1/3 to work in hdlc protocol, connected with X-TDM-DS26522 card to support T1/E1 function. It can work in normal or loopback mode both for tdm controller and phy. connect X-TDM-DS26522 card to TDM Riser slot, it can transmit data and receive data.

6.5.24.3 U-Boot Configuration

Compile-time options

Below are major U-Boot configuration options related to this feature defined in platform-specific config files under include/configs/ directory.

Option Identifier	Description
CONFIG_U_QE	Enables QE support
CONFIG_SYS_QE_FW_ADDR	Address of QE firmware

Choosing predefined U-Boot modes:

```
make ls1043ardb_deconfig
```

before doing the actually build

Runtime options

Env Variable	Env Description	Sub option	Option Description
hwconfig	Hardware configuration for U-Boot	qe-hdlc	Assign pins for HDLC; QUICC Engine TDM enabled in DTB
bootargs	Kernel command-line argument passed to kernel		

6.5.24.4 Kernel Configure Options

Tree View

LS1043ARDB and X-TDM-DS26522 card:

Kernel Configure Tree View Options	Description
	Enable the QE TDM driver and X-TDM-DS26522 card driver.

Kernel Configure Tree View Options	Description
<pre> Device Drivers ---> SOC (System On Chip) specific Drivers ---> [*] Freescale QUICC Engine (QE) Support [*] Network device support ---> [*] Wan interfaces support ---> <*> Generic HDLC layer <*> Raw HDLC support <*> Freescale QUICC Engine HDLC support <*> SLIC MAXIM DS26522 CARD SUPPORT </pre>	

Identifier

Below are the configure identifiers which are used in kernel source code and default configuration files.

Option	Values	Default Value	Description
CONFIG_QUICC_ENGINE	y/n	n	QUICC Engine enabled
CONFIG_FSL_UCC_TDM	y/n	n	QUICC Engine TDM lib
CONFIG_SLIC_MAXIM	y/m/n	n	Enable x-tdm-ds26522 card support
FSL_UCC_HDLC	y/m/n	n	QUICC Engine driver driver

6.5.24.5 Device Tree Binding

Below is the definition of the device tree node required by this feature

Property	Type	Status	Description
qe	qe	enable	QUICC Engine node
ucc	hdlc	enable	QE UCC HDLC node.
si	si	si	QE TSA node

Below is an example device tree node required by this feature. Note that it may have differences among platforms.

LS1040ARDB and X-TDM-DS26522 card:

```

ucc_hdlc: ucc@2000 {
    compatible = "fsl,ucc-hdlc";
    rx-clock-name = "clk8";
    tx-clock-name = "clk9";
    fsl,rx-sync-clock = "rsync_pin";
    fsl,tx-sync-clock = "tsync_pin";
    fsl,tx-timeslot-mask = <0xfffffffffe>;
    fsl,rx-timeslot-mask = <0xfffffffffe>;
    fsl,tdm-framer-type = "e1";
    fsl,tdm-id = <0>;
    fsl,siram-entry-id = <0>;
    fsl,tdm-interface;
};
                    
```

```
slic@3 {
    compatible = "maxim,ds26522";
    reg = <3>;
    spi-max-frequency = <2000000>;
    fsl,spi-cs-sck-delay = <100>;
    fsl,spi-sck-cs-delay = <50>;
};
```

6.5.24.6 Source Files

The following source files are related to this feature in Linux.

T1040RDB and X-TDM-DS26522 card:

Source File	Description
drivers/soc/fsl/qe/qe_tdm.c	QE UCC TDM lib
include/soc/fsl/qe/qe_tdm.h	QE UCC TDM lib head file.
drivers/net/tdm/slic_ds26522.c	X-TDM-DS26522 card driver.
drivers/net/wan/fsl_ucc_hdlc.*	QE HDLC driver
arch/arm64/boot/dts/freescale/fsl-ls1043a.dtsi	Define the device tree nodes for LS1043ARDB QE
arch/arm64/boot/dts/freescale/fsl-ls1043a-rdb.dts	Define the device tree nodes for LS1043ARDB ds26522

6.5.24.7 User Space Application

The following applications will be used during functional or performance testing. Refer to the SDK UM document for the detailed build procedure.

Command Name	Description	Package Name
sethdlc	A tool to get/set Linux HDLC packet radio modem driver port information	sethdlc

6.5.24.8 Verification in U-Boot

N/A

6.5.24.9 Verification in Linux

1. After U-Boot startup, set "qe-hdlc" parameter in hwconfig.
2. After bootup kernel, Kernel boot log for hdlc:

```
hdlc: HDLC support module revision 1.22
```

3. QE HDLC T1/E1 test
 - a. Make X-TDM-DS26522 card connected to T1040RDB board Slot.
 - b. To test tdm external ports, plugin tdm t1/e1 loopback cable in the related port.
The following is HDLC port mapping with X-TDM-DS26522 card:

HDLC Port	X-TDM-DS26522 Port
Port A	CH1;
Port B	CH2;

c. HDLC test using E1.

Use the default dts to test E1 function. Test module can receive ucc_num as parameter. This number should be 1/3 related to the tdm port.

```
ls1043ardb login: root
root@ls1043ardb:~# ./sethdlc hdlc0 hdlc;
root@ls1043ardb:~# ifconfig hdlc0 192.168.0.1 up
[ 41.072590] hdlc0: Carrier detected
root@ls1043ardb:~# route add -net 192.168.0.0 netmask 255.255.255.0 gw
192.168.0.1 hdlc0;
root@ls1043ardb:~# ping 192.168.0.2;
PING 192.168.0.2[ 52.208784] Tx data skb->len:86 (192.168.0.2) 56(84)
bytes of d[ 52.213119]
[ 52.213119] Transmitted data:
ata.
[ 52.220324] ff
[ 52.222491] 44
[ 52.224154] 45
[ 52.225810] 00
[ 52.227472] 00
[ 52.229125] 54
[ 52.230778] c3
[ 52.232440] 89
[ 52.234094] 40
[ 52.235755] 00
[ 52.237408] 40
[ 52.239069] 01
[ 52.240722] f5
[ 52.242375] cb
[ 52.244038] c0
[ 52.245691] a8
[ 52.247844] irq ucce:20000
[ 52.250543] TxBD: 1c00
[ 52.252900] Received data length:88[ 52.256206] while entry times:0
[ 52.259338]
[ 52.259338] Received data:
[ 52.263512] ff
[ 52.265165] 44
[ 52.266818] 45
[ 52.268474] 00
[ 52.270127] 00
[ 52.271782] 54
[ 52.273435] c3
[ 52.275091] 89
[ 52.276744] 40
[ 52.278397] 00
[ 52.280052] 40
[ 52.281705] 01
[ 52.283361] f5
[ 52.285014] cb
[ 52.286667] c0
[ 52.288322] a8
[ 52.289980] skb->protocol:8
[ 52.292784] irq ucce:80000
[ 53.262909] Tx data skb->len:86 [ 53.265951]
```

6.6 kdump/kexec User Manual

This topic explains “kexec/kdump” feature on NXP Layerscape ARMv8 platforms.

Note: For more information about the kdump feature of Linux kernel, see following documents at kernel.org:

- [Documentation/kdump/kdump.txt](#)
- [Documentation/kdump/gdbmacros.txt](#)

Features and configurations supported

Kexec feature:

- The first kernel should be able to boot up another kernel using `kexec-l` and `kexec -e` commands.

Kdump feature:

- The first kernel should be able to support loading and booting of crash dump kernel in case of kernel panic.
- The vmcore of the first kernel should be available in `/proc/vmcore` of the dump capture kernel.
- There should be mechanism to copy the vmcore to a secondary storage, such as SD card partition or USB disk partition.
- The vmcore should be interpretable using gdb on an x86 host.
- The vmcore should be interpretable using crash utility on an x86 host.

Only LE mode of the kernel is supported.

Note:

- *The first kernel should be booted using `nokaslr` in the kernel bootargs.*
- *All the testing has been done using U-Boot as the bootloader in nonEFI mode.*
- *Recommended rootfs for second/crashdump kernel:*
 - *Recommendation is to use rootfs on SD card partition, same as primary kernel.*
 - *Using ramdisk can lead to some size constraints. The crash kernel size is ok to be kept as 512M. And rootfs for the second kernel should be minimum rootfs. Bigger root filesystems may cause memory issues.*
- *From the dump-capture kernel perspective, it is preferable to have almost similar configurations in both the kernels, unless there are any known limitations. Note that for DPAA1 platforms, DPAA1 Ethernet, QBMan and FMan support should be compiled out in dump-capture kernel config otherwise the second kernel will crash.*
- *Dump capture kernel may be booted using the device tree of the system kernel, so no need to explicitly provide dtb image for the dump capture kernel.*
- *The kexec-utils does not handle device tree fix-ups. So if a user needs to provide another device tree to boot the secondary kernel, the user needs to copy the dtb of primary kernel from `/sys/firmware/fdt`, generate dts, make edits as needed and recompile to get the dtb. In this case, the new dtb can be provided using the `--dtb` option.*

Test Status

Table 50. Software details

Kernel version	Same as in the Layerscape LDP
U-Boot version	Same as in the Layerscape LDP
kexec-tools	kexec-tools 2.0.17.git, kexec-tools-2.0.20
Gdb	Same as in the Layerscape LDP
Crash	crash 7.1.9, crash 7.2.7

Test Method

Linux Compile-time Configuration options:

- System Kernel Configuration Options

1. Enable "kexec system call" in "Processor type and features."

```
CONFIG_KEXEC=y
```

2. Enable "sysfs file system support" in "Filesystem" -> "Pseudo filesystems." This is usually enabled by default.

```
CONFIG_SYSFS=y
```

Note that "sysfs file system support" might not appear in the "Pseudo filesystems" menu if "Configure standard kernel features (for small systems)" is not enabled in "General Setup." In this case, check the .config file itself to ensure that sysfs is turned on, as follows:

```
grep 'CONFIG_SYSFS' .config
```

3. Enable "Compile the kernel with debug info" in "Kernel hacking."

```
CONFIG_DEBUG_INFO=Y
```

This causes the kernel to be built with debug symbols. The dump analysis tools require a vmlinux with debug symbols in order to read and analyze a dump file.

- System Configuration for dump-capture kernel:

1. Enable "kernel crash dumps" support under "Processor type and features":

```
CONFIG_CRASH_DUMP=y
```

2. Enable "/proc/vmcore support" under "Filesystems" -> "Pseudo filesystems".

```
CONFIG_KCORE
CONFIG_PROC_VMCORE=y
CONFIG_PROC_VMCORE is set by default when CONFIG_CRASH_DUMP is selected.)
```

In case of LS1043, the second kernel should be built with DPAA driver compiled out.

Test Procedure: (example logs/will be updated by latest test report)

1. Boot up the "system kernel/first kernel"
2. Set system kernel bootargs to reserve memory for "dump-capture/second kernel"

```
=> print dl_debug
dl_debug=setenv bootargs "root=/dev/mmcblk0p3 rw rootdelay=10
console=ttyS0,115200 earlycon=uart8250,0x21c0500 ramdisk size=0x10000000
crashkernel=512M nokaslr loglevel=8;tftpboot 81000000 ls1043-debug.itb;bootm
81000000"
```

3. Boot second kernel using kexec (-l/-e)

```
root@ls1043ardb:~# cp /run/media/sdal/kexec /usr/sbin/
root@ls1043ardb:~# chmod +x /usr/sbin/kexec
root@ls1043ardb:~# ./kexec -l ./Image --append=" console=ttyS0,115200 root=/
dev/mmcblk0p3 earlycon=uart8250,0x21c0500,115200 "
```

Note: It is recommended to enable early con for second kernel to debug early crashes/failures effectively

4. "Dump-capture" kernel loaded by kernel panic, (here only one core is enabled in the dump capture kernel, see the maxcpus argument for dump-capture kernel)

```
root@ls1043ardb:~# cp /run/media/sdal/kexec /usr/sbin/
root@ls1043ardb:~# chmod +x /usr/sbin/kexec
root@ls1043ardb:~# kexec -p Image-remove-dpaa --append="root=/dev/mmcblk0p3
rw rootdelay=10 console=ttyS0,115200 earlycon=uart8250,0x21c0500,115200
maxcpus=1 reset_devices"
```

Note: It is recommended to enable early con for second kernel to debug early crashes/failures effectively.

```

Trigger a crash.
root@ls1043ardb:~# echo c > /proc/sysrq-trigger
[ 210.085271] sysrq: SysRq : Trigger a crash
[ 210.089379] Unable to handle kernel NULL pointer dereference at virtual
address 00000000
[ 210.097469] pgd = ffff80000190e000
[ 210.100862] [00000000] *pgd=00000000d2bc9003, *pud=0000000081c08003,
*pmd=0000000000000000
[ 210.109139] Internal error: Oops: 96000046 [#1] PREEMPT SMP
[ 210.114700] Modules linked in:
[ 210.117748] CPU: 2 PID: 1809 Comm: sh Not tainted 4.4.39-00515-gf368a91-
dirty #12
[ 210.125218] Hardware name: LS1043A RDB Board (DT)
[ 210.129910] task: ffff800054f48680 ti: ffff8000019a8000 task.ti:
ffff8000019a8000
[ 210.137386] PC is at sysrq_handle_crash+0x14/0x1c
[ 210.142080] LR is at __handle_sysrq+0x124/0x194
[ 210.146599] pc : [<ffff8000003bca48>] lr : [<ffff8000003bd418>] pstate:
60000145
[ 210.153981] sp : ffff8000019abd40
Snip
[ 210.446905] [<ffff8000001a6610>] vfs_write+0x90/0x194
[ 210.451946] [<ffff8000001a7104>] SyS_write+0x44/0xa0
[ 210.456900] [<ffff800000085e30>] e10_svc_naked+0x24/0x28
[ 210.462201] Code: 52800020 b903dc20 d5033e9f d2800001 (39000020)
[ 210.468328] Starting crashdump kernel...
[ 210.476756] Bye!
[ 0.000000] Booting Linux on physical CPU 0x00000000003 [0x410fd034]
[ 0.000000] Linux version 5.4.3-03944-ge0081bf-dirty
(nx56392@lsv03080.swis.in-blr01.nxp.com) (gcc version 7.3.0 (GCC)) #5 SMP
PREEMPT Mon Dec 30 11:17:45 IST 2019
[ 0.000000] Machine model: LS1043A RDB Board
[ 0.000000] earlycon: uart8250 at MMIO 0x00000000021c0500 (options '')
[ 0.000000] printk: bootconsole [uart8250] enabled
root@ls1043ardb:~# ls /proc/vmcore -al
-r----- 1 root root 1620045824 Sep 28 12:42 /proc/vmcore
root@ls1043ardb:~# cp /proc/vmcore /run/media/sdal/kdump_vmcore
root@ls1043ardb:~# umount /run/media/sdal
root@ls1043ardb:~#

```

Boot the first kernel again and the vmcore can be transferred to the host machine(X86) for crash and gdb examination.

5. Interpret the crash logs using crash utility.

```

nxa19049@lsv03080:~/data/ups/crash$ ./crash ../vmlinux ../vmcore.9jan
crash 7.2.7++
Copyright (C) 2002-2019 Red Hat, Inc.
Copyright (C) 2004, 2005, 2006, 2010 IBM Corporation
Copyright (C) 1999-2006 Hewlett-Packard Co
Copyright (C) 2005, 2006, 2011, 2012 Fujitsu Limited
Copyright (C) 2006, 2007 VA Linux Systems Japan K.K.
Copyright (C) 2005, 2011 NEC Corporation
Copyright (C) 1999, 2002, 2007 Silicon Graphics, Inc.
Copyright (C) 1999, 2000, 2001, 2002 Mission Critical Linux, Inc.
This program is free software, covered by the GNU General Public License,
and you are welcome to change it and/or distribute copies of it under
certain conditions. Enter "help copying" to see the conditions.
This program has absolutely no warranty. Enter "help warranty" for details.
GNU gdb (GDB) 7.6

```

```

Copyright (C) 2013 Free Software Foundation, Inc.
License GPLv3+: GNU GPL version 3 or later <http://gnu.org/licenses/gpl.html>
This is free software: you are free to change and redistribute it.
There is NO WARRANTY, to the extent permitted by law.  Type "show copying"
and "show warranty" for details.
This GDB was configured as "--host=x86_64-unknown-linux-gnu --target=aarch64-
elf-linux"...
  KERNEL: ../../vmlinux                               unum=0crash: test msg 2
p=7b5bf050 cpunum=1crash: test msg 2 p=7b5d7050 cpunum=2crash: test msg 2
p=7b5ef050 cpunum=3
  DUMPFILE: ../../vmcore.9jan
  CPUS: 4
  DATE: Sun Jan 28 21:30:08 2018
  UPTIME: 00:02:30
LOAD AVERAGE: 2.08, 1.24, 0.49
  TASKS: 188
  NODENAME: localhost
  RELEASE: 5.4.3-03991-g6bf2ce3-dirty
  VERSION: #10 SMP PREEMPT Thu Jan 9 14:31:21 IST 2020
  MACHINE: aarch64 (unknown Mhz)
  MEMORY: 1.9 GB
  PANIC: "Kernel panic - not syncing: sysrq triggered crash"
  PID: 1138
  COMMAND: "bash"
  TASK: ffff000030417000 [THREAD_INFO: ffff000030417000]
  CPU: 3
  STATE: TASK_RUNNING (PANIC)
crash> help
*
alias          extend          log             rd              task
ascii          foreach         mod             repeat          timer
bpf            fuser          mount           search          union
bt             gdb             net             set             vm
btop           help            p               sig             vtop
dev            ipcs            ps              struct           waitq
dis            irq             pte            swap            whatis
eval           kmem           ptob            sym             wr
exit           list            ptov            sys             q
crash version: 7.2.7++  gdb version: 7.6
For help on any command above, enter "help <command>".
For help on input options, enter "help input".
For help on output options, enter "help output".
crash> dev
CHRDEV  NAME          CDEV          OPERATIONS
510     rpmb          (none)
1       mem           ffff00004148bf00 memory_fops
511     vfio          (none)
2       pty           ffff0000410fcf00 tty_fops
3       tty           ffff00004112e080 tty_fops
4       /dev/vc/0    ffff800011f5a878 console_fops
4       tty           ffff00004156aa80 tty_fops
4       ttyS         ffff000041138d00 tty_fops
5       /dev/tty     ffff800011f59388 tty_fops
5       /dev/console ffff800011f593f0 console_fops
5       /dev/ptmx   ffff800011f59568 ptmx_fops
7       vcs          ffff000041443a80 vcs_fops
10      misc         ffff000041d72280 misc_fops
13      input        (none)
29      fb           ffff0000414a3580 fb_fops
81      video4linux (none)

```


89	i2c	ffff000040c5b320	i2cdev_fops
90	mtd	ffff0000417b0780	mtd_fops
116	alsa	ffff000041d72f80	snd_fops
128	ptm	ffff000041138300	tty_fops
136	pts	ffff000041138480	tty_fops
153	spi	ffff0000417bda00	spidev_fops
207	ttymxc	(none)	
212	DVB	ffff800011f6b198	dvb_device_fops
216	rfcomm	(none)	
226	drm	ffff000041147d80	drm_stub_fops
234	uio	ffff000041f00980	uio_fops
235	nvme	(none)	
236	ttyLF	(none)	
237	ttyLP	(none)	
238	ttyTHS	(none)	
239	ttyHS	(none)	
240	ttyMSM	(none)	
241	ttyMSM	(none)	
242	ttyAML	(none)	
243	bsg	ffff800011f4ad20	bsg_fops
244	watchdog	ffff000040c4d608	watchdog_fops
245	tee	(none)	
246	io	(none)	
247	ptp	ffff000041eca050	posix_clock_file_operations
248	pps	(none)	
249	cec	(none)	
250	media	(none)	
251	rtc	ffff000040c43318	rtc_dev_fops
252	tpm	(none)	
253	ttyMV	(none)	
254	gpiochip	ffff000041f9e2e8	gpio_fileops
BLKDEV	NAME	GENDISK	OPERATIONS
259	blkext	(none)	
7	loop	ffff0000412b4000	lo_fops
8	sd	(none)	
31	mtdblock	ffff0000412b7800	mtd_block_ops
65	sd	(none)	
66	sd	(none)	
67	sd	(none)	
68	sd	(none)	
69	sd	(none)	
70	sd	(none)	
71	sd	(none)	
128	sd	(none)	
129	sd	(none)	
130	sd	(none)	
131	sd	(none)	
132	sd	(none)	
133	sd	(none)	
134	sd	(none)	
135	sd	(none)	
179	mmc	ffff000041522000	mmc_bdops
254	virtblk	(none)	
crash> help			
*	extend	log	task
alias	files	mach	repeat
ascii	foreach	mod	runq
bpf	fuser	mount	search
bt	gdb	net	set
bttop	help	p	sig
			vtop

```

dev          ipcs          ps          struct      waitq
dis          irq           pte        swap        whatis
eval        kmem          ptob       sym         wr
exit        list          ptov       sys         q
crash version: 7.2.7++  gdb version: 7.6
For help on any command above, enter "help <command>".
For help on input options, enter "help input".
For help on output options, enter "help output".
crash> list
list: starting address required
Usage:
list [[-o] offset][-e end][-[s|S] struct[.member[,member] [-l offset]] -[x|
d]]
[-r|-B] [-h|-H] start
Enter "help list" for details.
crash> mach
MACHINE TYPE: aarch64
MEMORY SIZE: 1.9 GB
CPUS: 4
HZ: 250
PAGE SIZE: 4096
KERNEL VIRTUAL BASE: ffff000000000000
KERNEL MODULES BASE: ffff800008000000
KERNEL VMALLOC BASE: ffff800010000000
KERNEL VMEMMAP BASE: fffffe0000000000
KERNEL STACK SIZE: 16384
IRQ STACK SIZE: 16384
IRQ STACKS:
CPU 0: ffff800010000000
CPU 1: ffff800010008000
CPU 2: ffff800010010000
CPU 3: ffff800010018000

crash> ps
PID      PPID    CPU      TASK                ST  %MEM   VSZ   RSS   COMM
> 0      0      0      ffff800011cc1380  RU  0.0    0     0    [swapper/0]
> 0      0      1      ffff000041cb1c00  RU  0.0    0     0    [swapper/1]
> 0      0      2      ffff000041cb2a00  RU  0.0    0     0    [swapper/2]
0        0      3      ffff000041cb3800  RU  0.0    0     0    [swapper/3]

<snip>
crash>
crash> sig
PID: 1138  TASK: ffff000030417000  CPU: 3  COMMAND: "bash"
SIGNAL_STRUCT: ffff00003042a200  NR_THREADS: 1
SIG  SIGACTION  HANDLER  MASK  FLAGS
[1] ffff0000304239e0  aaad53e3f60  0000000043807efb  0
[2] ffff000030423a00  aaad53e3c50  0000000000000000  0
[3] ffff000030423a20  SIG_IGN  0000000000000000  0
[4] ffff000030423a40  aaad53e3f60  0000000043807efb  0
[5] ffff000030423a60  aaad53e3f60  0000000043807efb  0
[6] ffff000030423a80  aaad53e3f60  0000000043807efb  0
[7] ffff000030423aa0  aaad53e3f60  0000000043807efb  0
[8] ffff000030423ac0  aaad53e3f60  0000000043807efb  0
[9] ffff000030423ae0  SIG_DFL  0000000000000000  0
[10] ffff000030423b00  aaad53e3f60  0000000043807efb  0
[11] ffff000030423b20  aaad53e3f60  0000000043807efb  0
[12] ffff000030423b40  aaad53e3f60  0000000043807efb  0
[13] ffff000030423b60  aaad53e3f60  0000000043807efb  0
[14] ffff000030423b80  aaad53e3f60  0000000043807efb  0
[15] ffff000030423ba0  aaad53e36f0  0000000000000000  10000000 (SA_RESTART)
[16] ffff000030423bc0  SIG_DFL  0000000000000000  0

```

```

[17] ffff000030423be0 aaaad53cfa0 0000000000000000 10000000 (SA_RESTART)
[18] ffff000030423c00 SIG_DFL 0000000000000000 0
[19] ffff000030423c20 SIG_DFL 0000000000000000 0
[20] ffff000030423c40 SIG_IGN 0000000000000000 0
[21] ffff000030423c60 SIG_IGN 0000000000000000 0
[22] ffff000030423c80 SIG_IGN 0000000000000000 0
[23] ffff000030423ca0 SIG_DFL 0000000000000000 0
[24] ffff000030423cc0 aaaad53e3f60 0000000043807efb 0
[25] ffff000030423ce0 aaaad53e3f60 0000000043807efb 0
[26] ffff000030423d00 aaaad53e3f60 0000000043807efb 0
[27] ffff000030423d20 SIG_DFL 0000000000000000 0
[28] ffff000030423d40 aaaad53e36e0 0000000000000000 0
[29] ffff000030423d60 SIG_DFL 0000000000000000 0
[30] ffff000030423d80 SIG_DFL 0000000000000000 0
[31] ffff000030423da0 aaaad53e3f60 0000000043807efb 0
[32] ffff000030423dc0 SIG_DFL 0000000000000000 0
[33] ffff000030423de0 SIG_DFL 0000000000000000 0
[34] ffff000030423e00 SIG_DFL 0000000000000000 0
[35] ffff000030423e20 SIG_DFL 0000000000000000 0
[36] ffff000030423e40 SIG_DFL 0000000000000000 0
[37] ffff000030423e60 SIG_DFL 0000000000000000 0
[38] ffff000030423e80 SIG_DFL 0000000000000000 0
[39] ffff000030423ea0 SIG_DFL 0000000000000000 0
[40] ffff000030423ec0 SIG_DFL 0000000000000000 0
[41] ffff000030423ee0 SIG_DFL 0000000000000000 0
[42] ffff000030423f00 SIG_DFL 0000000000000000 0
[43] ffff000030423f20 SIG_DFL 0000000000000000 0
[44] ffff000030423f40 SIG_DFL 0000000000000000 0
[45] ffff000030423f60 SIG_DFL 0000000000000000 0
[46] ffff000030423f80 SIG_DFL 0000000000000000 0
[47] ffff000030423fa0 SIG_DFL 0000000000000000 0
[48] ffff000030423fc0 SIG_DFL 0000000000000000 0
[49] ffff000030423fe0 SIG_DFL 0000000000000000 0
[50] ffff000030424000 SIG_DFL 0000000000000000 0
[51] ffff000030424020 SIG_DFL 0000000000000000 0
[52] ffff000030424040 SIG_DFL 0000000000000000 0
[53] ffff000030424060 SIG_DFL 0000000000000000 0
[54] ffff000030424080 SIG_DFL 0000000000000000 0
[55] ffff0000304240a0 SIG_DFL 0000000000000000 0
[56] ffff0000304240c0 SIG_DFL 0000000000000000 0
[57] ffff0000304240e0 SIG_DFL 0000000000000000 0
[58] ffff000030424100 SIG_DFL 0000000000000000 0
[59] ffff000030424120 SIG_DFL 0000000000000000 0
[60] ffff000030424140 SIG_DFL 0000000000000000 0
[61] ffff000030424160 SIG_DFL 0000000000000000 0
[62] ffff000030424180 SIG_DFL 0000000000000000 0
[63] ffff0000304241a0 SIG_DFL 0000000000000000 0
[64] ffff0000304241c0 SIG_DFL 0000000000000000 0
SIGPENDING: no
BLOCKED: 0000000000000000
PRIVATE_PENDING
SIGNAL: 0000000000000000
SIGQUEUE: (empty)
SHARED_PENDING
SIGNAL: 0000000000000000
SIGQUEUE: (empty)
crash>
crash>
crash>
crash>

```

```
crash> exit
nxa19049@lsv03080:~/data/ups/crash$
```

6. Interpret the crash logs using gdb.

```
nxa19049@lsv03080:~/data/ups$ aarch64-fsl-linux-gdb ../vmlinux ../vmcore.9jan
GNU gdb (GDB) 8.3.1
Copyright (C) 2019 Free Software Foundation, Inc.
License GPLv3+: GNU GPL version 3 or later <http://gnu.org/licenses/gpl.html>
This is free software: you are free to change and redistribute it.
There is NO WARRANTY, to the extent permitted by law.
Type "show copying" and "show warranty" for details.
This GDB was configured as "--host=x86_64-fslsdk-linux --target=aarch64-fsl-
linux".
Type "show configuration" for configuration details.
For bug reporting instructions, please see:
<http://www.gnu.org/software/gdb/bugs/>.
Find the GDB manual and other documentation resources online at:
<http://www.gnu.org/software/gdb/documentation/>.
For help, type "help".
Type "apropos word" to search for commands related to "word"...
Reading symbols from ../vmlinux...
[New process 1]
[New process 1]
[New process 1]
[New LWP 1138]
#0 0xffff800010b2f274 in arch_local_irq_enable ()
at ./arch/arm64/include/asm/irqflags.h:36
36 asm volatile(ALTERNATIVE(
[Current thread is 3 (process 1)]
(gdb) bt
#0 0xffff800010b2f274 in arch_local_irq_enable ()
at ./arch/arm64/include/asm/irqflags.h:36
#1 cpuidle_enter_state (dev=0xffff00007b5b1c00, drv=0xffff000040c8f400,
index=<optimized out>) at drivers/cpuidle/cpuidle.c:247
#2 0xffff800010b2f5a4 in cpuidle_enter (drv=0xffff000040c8f400,
dev=0xffff00007b5b1c00, index=2069568512) at drivers/cpuidle/cpuidle.c:344
#3 0xffff800010114c50 in call_cpuidle (drv=<optimized out>,
dev=<optimized out>, next_state=<optimized out>) at kernel/sched/idle.c:117
Backtrace stopped: previous frame identical to this frame (corrupt stack?)
(gdb) list
31 u32 pmr = read_sysreg_s(SYS_ICC_PMR_EL1);
32
33 WARN_ON_ONCE(pmr != GIC_PRIO_IRQON && pmr != GIC_PRIO_IRQOFF);
34 }
35
36 asm volatile(ALTERNATIVE(
37 "msr daifclr, #2 // arch_local_irq_enable\n"
38 "nop",
39 __msr_s(SYS_ICC_PMR_EL1, "%0")
40 "dsb sy",
(gdb)
```

Known bugs, limitations or technical issues

- In second kernel, interfaces, such as qDMA, DPAA2 Ethernet, and PCIe do not work because of MSI limitation. See known issues list.
- DPAA1 Ethernet kexec support is limited. DPAA1 Ethernet is functional under kexec with the upstream kernel driver variant only.

In addition, DPAA1 Ethernet is functional in the second kernel if the same kernel image is loaded at the same address. In other words, DPAA1 Ethernet is not supported under kdump. As part of kexec, when the

second kernel boots, the driver is required to reinitialize the private memory regions of QBMan within the second kernel's memory ranges.

Due to hardware limitations, the QBMan memory ranges cannot be updated without a hard reset of the SoC, which is not triggered as part of the kexec flow.

The QBMan, and DPAA1 Ethernet as a whole can be used in the second kernel, only if the memory regions remain the same after kexec.

7 QorIQ networking technologies

7.1 Summary of networking technologies

NXP provides several different hardware networking architectures. Each SoC incorporates one of them. The hardware architectures are:

HW networking architectures	Blocks
DPAA1	QMan, BMan, and FMan
DPAA2	QBMan and WRIOP
DPAA2 and DPAA1 are relatives in that they both use generic hardware-based queues. Also, each supports additional accelerators, such as SEC through these queues.	
PFE	PFE package engine block
veTSEC	veTSEC traditional Ethernet controller block
ENETC	TSN capable Ethernet controller integrated as a PCIe root complex
TSN Switch	TSN capable L2 Switch (that is Felix) integrated as PCIe root complex

The following table shows which SoCs supported by Layerscape LDP use which networking hardware architecture.

HW networking architectures	SoCs
DPAA1	LS1023A, LS1043A, LS1026A, LS1046A
DPAA2	LS1044A, LS1048A, LS1084A, LS1088A, LS2044A, LS2048A, LS2084A, LS2088A, LX2160A
PFE	LS1012A
veTSEC	LS1021A
ENETC	LS1028A
TSN switch	LS1028A

7.2 DPAA1-specific software

7.2.1 DPAA1 software architecture overview

7.2.1.1 Introduction

Multicore processing, or multiple execution thread processing, introduces unique considerations to the architecture of networking systems, including processor load balancing/utilization, flow order maintenance, and efficient cache utilization. Herein is a review of the key features, functions, and properties enabled by the QorIQ DPAA1 (Data Path Acceleration Architecture first generation) hardware and demonstrates how to best architect software to leverage the DPAA1 hardware.

Note: *In most hardware and other past documentation, DPAA first generation is referred to as DPAA. To avoid confusion with DPAA2 (second generation), we will refer to the first generation as DPAA1 in this documentation set.*

By exploring how the DPAA1 is configured and leveraged in a particular application, the user can determine which elements and features to use. This streamlines the software development stage of implementation by allowing programmers to focus their technical understanding on the elements and features that are implemented in the system under development, thereby reducing the overall DPAA1 learning curve required to implement the application.

Our target audience is familiar with the material in **QorIQ Data Path Acceleration Architecture (DPAA1) Reference Manual**.

7.2.1.1.1 Benefits of DPAA1

The primary intent of DPAA1 is to provide intelligence within the IO portion of the System-on-Chip (SOC) to route and manage the processing work associated with traffic flows to simplify ordering and load balance concerns associated with multicore processing. The DPAA1 hardware inspects ingress traffic and extracts user-defined flows from the port traffic. It then steers specific flows (or related traffic) to a specific core or set of cores.

Architecting a networking application with a multicore processor presents challenges, such as workload balance and maintaining flow order, which are not present in a single core design. Without hardware assistance, the software must implement techniques that are inefficient and cumbersome, reducing the performance benefit of multiple cores. To address workload balance and flow order challenges, DPAA1 determines and separates ingress flows then manages the temporary, permanent, or semi-permanent flow-to-core affinity. DPAA1 also provides a work priority scheme, which ensures ingress critical flows are addressed properly and frees software from the need to implement a queuing mechanism on egress. As the hardware determines which core will process which packet, performance is boosted by direct cache warming/stashing as well as by providing biasing for core-to-flow affinity, which ensures that flow-specific data structures can remain in the core's cache.

By understanding how the DPAA1 is leveraged in a particular design, the system architect can map out the application to meet the performance goals and to utilize the DPAA1 features to leverage any legacy application software that may exist. Once this application map is defined, the architect can focus on more specific details of the implementation.

7.2.1.1.2 General architectural considerations

As the need for processing capability has grown, the only practical way to increase the performance on a single silicon part is to increase the number of general-purpose processing cores (CPUs). However, many legacy designs run on a single processor; introducing multiple processors into the system creates special considerations, especially for a networking application.

7.2.1.1.3 Multicore design

Multicore processing, or multiple execution thread processing, introduces unique considerations. Most networking applications are split between data and control plane tasks. In general, control plane tasks manage the system within the broad network of equipment. While the control plane may process control packets

between systems, the control plane process is not involved in the bulk processing of the data traffic. This task is left to the data plane processing task or program.

The general flow of the data plane program is to receive data traffic (in general, packets or frames), process or transform the data in some way and then send the packets to the next hop or device in the network. In many cases, the processing of the traffic depends on the type of traffic. In addition, the traffic usually exists in terms of a flow, a stream of traffic where the packets are related. A simple example could be a connection between two clients that, at the packet level, is defined by the source and destination IP address. Typically, multiple flows are interleaved on a single interface port; the number of flows per port depends on the interface bandwidth as well as on the bandwidth and type of flows involved.

7.2.1.1.4 Parse/classification software offload

DPAA1 provides intelligence within the IO subsection of the SoC to split traffic into user-defined queues. One advantage is that the intelligence used to divide the traffic can be leveraged at a system level.

In addition to sorting and separating the traffic, DPAA1 can append useful processing information into the stream; offloading the need for the software to perform these functions (see the following figure).

Note that DPAA1 is not intended to replace significant packet processing or to perform extensive classification tasks. However, some applications may benefit from the streamlining that results from the parse/classify/distribute function within DPAA1. The ability to identify and separate flow traffic is fundamental to how DPAA1 solves other multicore application issues.

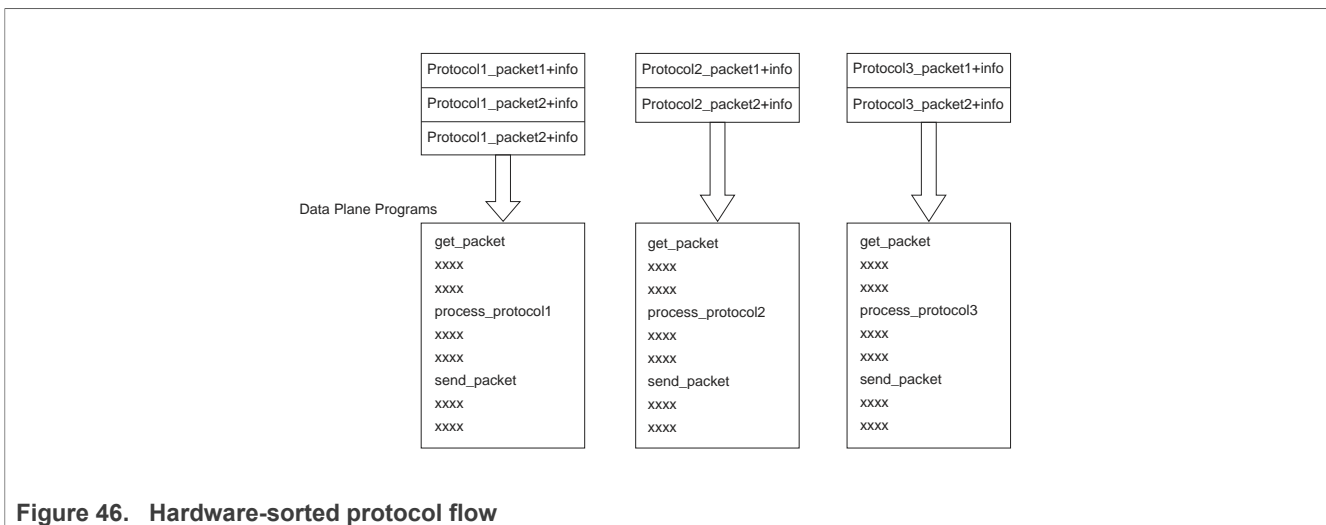


Figure 46. Hardware-sorted protocol flow

7.2.1.1.5 Flow order considerations

In most networking applications, individual traffic flows through the system require that the egress packets remain in the order they are received. In a single processor core system, this requirement is easy to implement. As long as the data plane software follows a run-to-completion model on a per-packet basis, the egress order will match the ingress packet order. However, if multiple processors are implemented in a true Symmetrical Multicore Processing (SMP) model in the system, the egress packet flow may be out of order with respect to the ingress flow. This may be caused when multiple cores simultaneously process packets from the same flow.

Even if the code flow is identical, factors such as cache hits/misses, DRAM page hits/misses, interrupts, control plane and OS tasks can cause some variability in the processing path, allowing egress packets to “pass” within the same flow, as shown in the below figure.

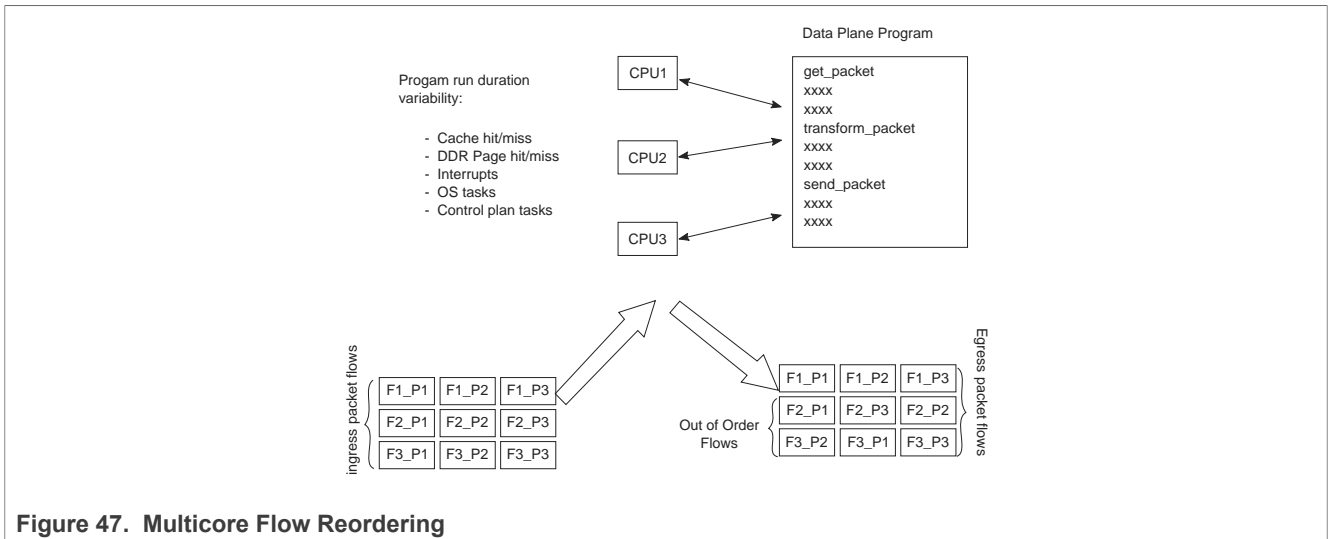


Figure 47. Multicore Flow Reordering

For some applications, it is acceptable to reorder the flows from ingress to egress. However, most applications require that order is maintained. When no hardware is available to assist with this ordering, the software must maintain flow order. Typically, this requires additional code to determine the sequence of the packet currently being processed, as well as a reference to a data structure that maintains order information for each flow in the system. As multiple processors need to access and update this state information, access to this structure must be carefully controlled, typically by using a lock mechanism that can be expensive with regard to program cycles and processing flow (see the below figure). One of the goals of the DPAA1 architecture is to provide the system designer with hardware to assist with packet ordering issues.

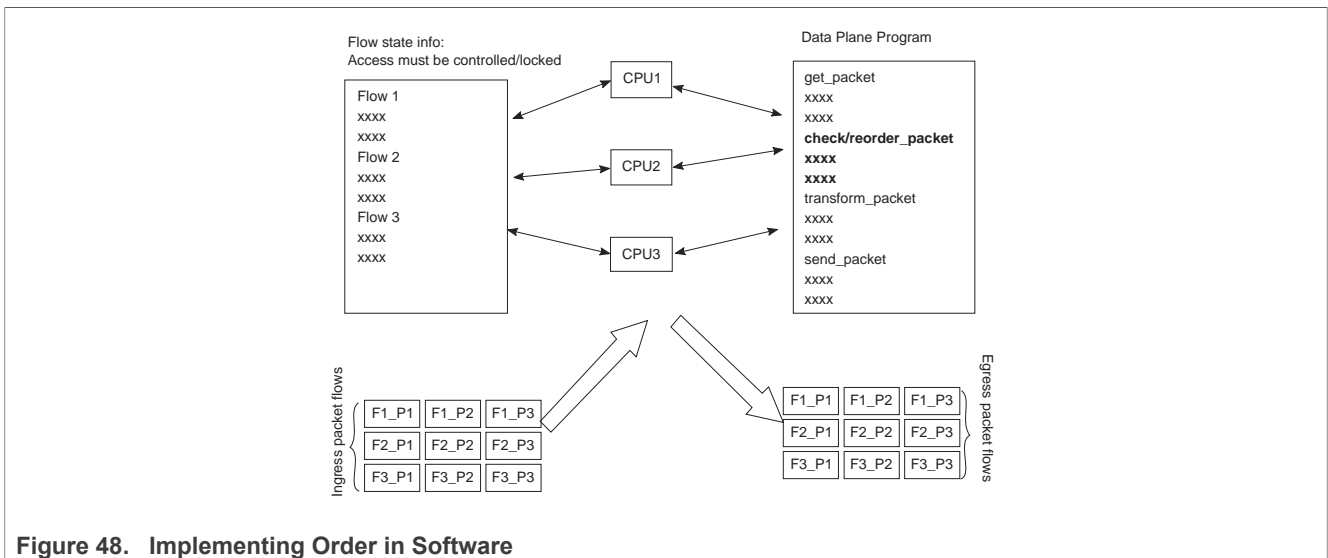


Figure 48. Implementing Order in Software

7.2.1.1.6 Managing flow-to-core affinity

Multicore processing, or multiple execution thread processing, introduces unique considerations to the architecture of networking systems, including processor load balancing/utilization, flow order maintenance, and efficient cache utilization. Herein is a review of the key features, functions, and properties enabled by the QorIQ DPAA1 (Data Path Acceleration Architecture) hardware and demonstrates how to best architect software to leverage the DPAA1 hardware.

In a multicore networking system, if the hardware configuration always allows a specific core to process a specific flow then the binding of the flow to the core is described as providing flow affinity. If a specific flow is

always processed by a specific processor core, then for that flow the system acts like a single core system. In this case, flow order is preserved because there is a single thread of operation processing the flow; with a run-to-completion model, there is no opportunity for egress packets to be reordered with respect to ingress packets.

Another advantage of a specific flow being affined to a core is that the cache local to that core (L1 and possibly L2, depending on the specific core type) is less likely to miss when processing the packets because the core's data cache will not fetch flow state information for flows to which it is not affined. Also, because multiple processing entities have no need to access the same individual flow state information, the system need not lock the access to the individual flow state data. DPAA1 offers several options to define and manage flow-to-core affinity.

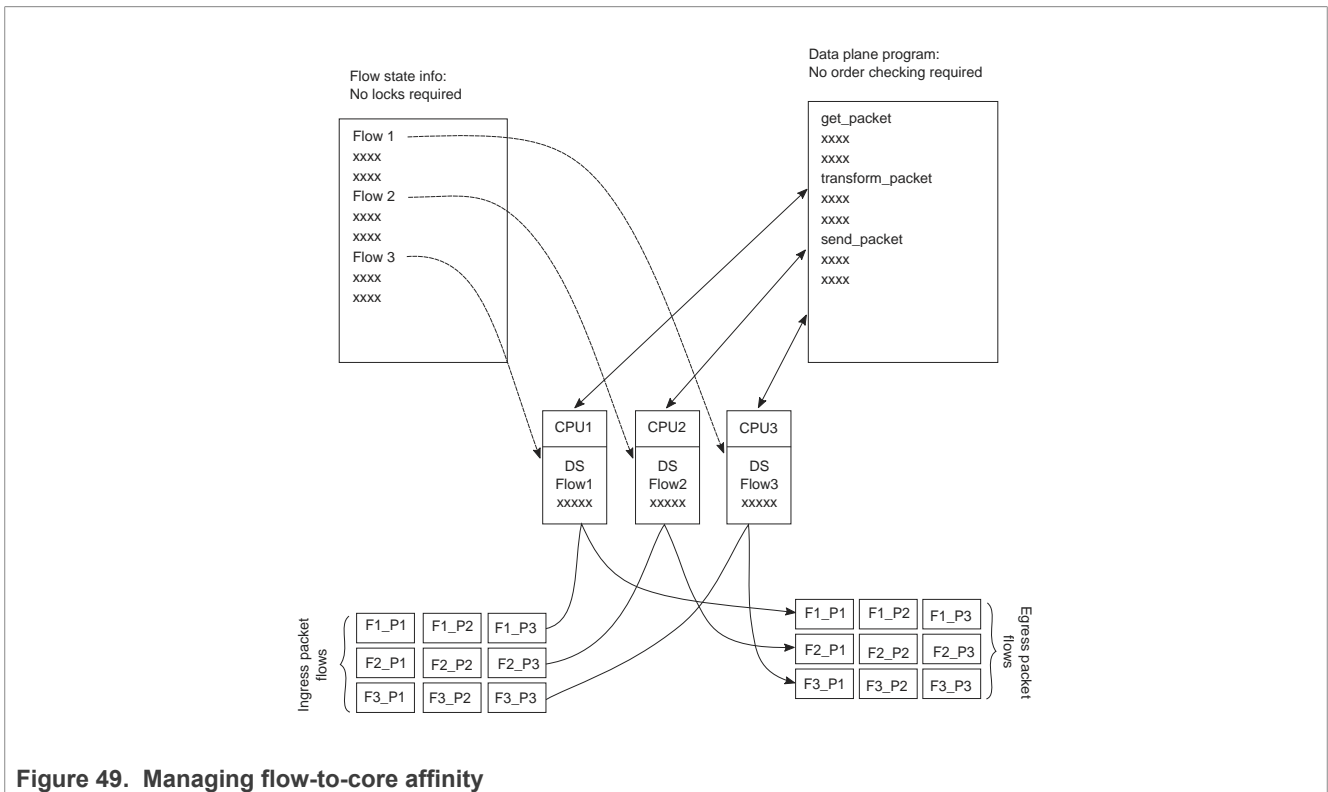


Figure 49. Managing flow-to-core affinity

Many networking applications require intensive, repetitive algorithms to be performed on large portions of the data stream(s). While software in the processor cores could perform these algorithms, specific hardware offload engines often better address specific algorithms. Cryptographic and pattern matching accelerators are examples of this in the QorIQ family. These accelerators act as standalone hardware elements that are fed blocks or streams of data, perform the required processing, and then provide the output in a separate (or perhaps overwritten) data block within the system. The performance boost is significant for tasks that can be done by these hardware accelerators as compared to a software implementation.

In DPAA1-equipped SoCs, these offload engines exist as peers to the cores and IO elements, and they use the same queuing mechanism to obtain and transfer data. The details of the specific processing performed by these offload engines are beyond the scope of this document; however, it is important to determine which of these engines will be leveraged in the specific application. DPAA1 can then be properly defined to implement the most efficient configuration or definition of the DPAA1 elements.

7.2.1.2 DPAA1 Goals

A brief overview of the DPAA1 elements in order to contextualize the application mapping activities. For more details, on the DPAA1 architecture, see the **QorIQ Data Path Acceleration Architecture (DPAA1) Reference Manual**

The primary goals of DPAA1 are as follows:

- To provide intelligence within the IO portion of the SoC.
- To route and manage the processing work associated with traffic flows.
- To simplify the ordering and load balance concerns associated with multicore processing.

DPAA1 achieves these goals by inspecting and separating ingress traffic into Frame Queues (FQs). In general, the intent is to define a flow or set of flows as the traffic in a particular FQ. The FQs are associated to a specific core or set of cores via a channel. Within the channel definition, the FQs can be prioritized among each other using the Work Queue (WQ) mechanism. The egress flow is similar to the ingress flow. The processors place traffic on a specific FQ, which is associated to a particular physical port via a channel. The same priority scheme using WQs exists on egress, allowing higher priority traffic to pass lower priority traffic on egress without software intervention.

7.2.1.3 FMan Overview

The FMan inspects traffic, splits it into FQs on ingress, and sends traffic from the FQs to the interface on egress.

On ingress traffic, the FMan is configured to determine the traffic split required by the PCD (Parse, Classify, Distribute) function. This allows the user to decide how the traffic needs to be defined, by flows or classes of traffic. The PCD can be configured to route all traffic on one port to a single queue or with a higher level of complexity where large numbers of queues are defined and managed. The PCD can identify traffic based on the specific content of the incoming packets (usually within the header) or packet reception rates (policing).

The parse function is used to identify which fields within the data frame determine the traffic split. The fields used may be defined by industry standards, or the user may employ a programmable soft parse feature to accommodate proprietary field (typically header) definition(s). The results of the parse function may be used directly to determine the frame queue; or, the contents of the fields selected by the parse function may be used as a key to select the frame queue. The parse function employs a programmed mask to allow the use of selected fields.

The resultant key from the parse function may be used to assign traffic to a specific queue based on a specific exact match definition of fields in the header. Alternatively, a range of queues can be defined either by using the resultant key directly (if there are a small number of bits in the key) or by performing a hash of the key to use a large number of bits in the flow identifier and create a manageable number of queues.

The FMan also provides a policer function, which is rate-based and allows the user to mark or drop a specific frame that exceeds a traffic threshold. The policing is based on a two-rate, three-color marking algorithm (RFC2698). The sustained and peak rates as well as the burst sizes are user-configurable.

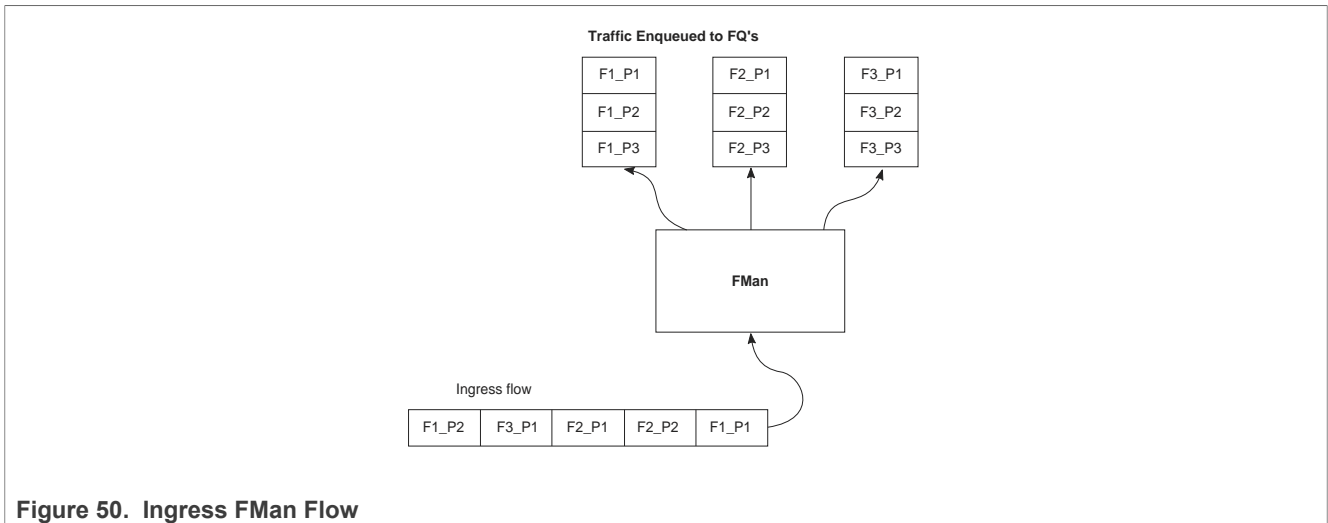


Figure 50. Ingress FMan Flow

The figure above shows the FMan splitting ingress traffic on an external port into a number of queues. However, the FMan works in a similar way on egress: it receives traffic from FQs then transmits the traffic on the designated external port. Alternatively, the FMan can be used to process flows internally via the offline port mechanism: traffic is dequeued (from some other element in the system), processed, then enqueued onto a frame queue processing further within the system.

On ingress traffic, the FMan generates an internal context (IC) data block, which it uses as it performs the PCD function. Optionally, some or all of this information may be added into the frames as they are passed along for further processing. For egress or offline processing, the IC data can be passed with each frame to be processed. This data is mostly the result of the PCD actions and includes the results of the parser, which may be useful for the application software.

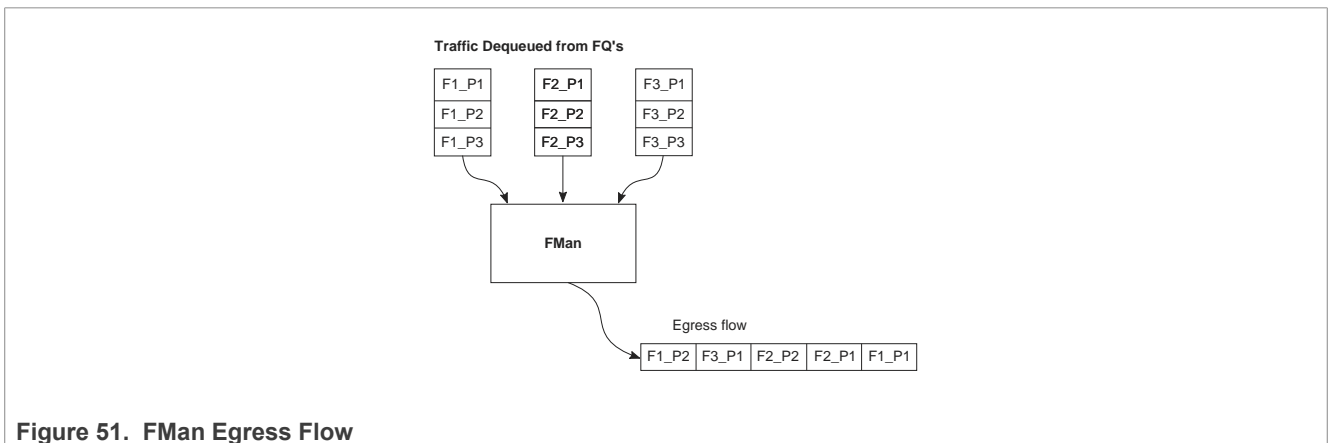


Figure 51. FMan Egress Flow

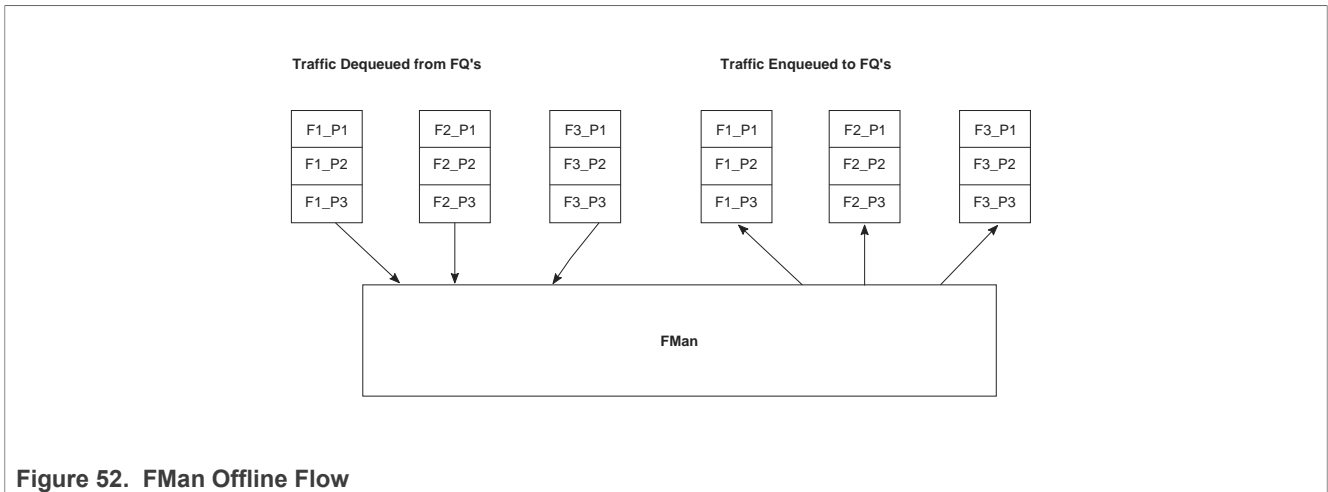


Figure 52. FMan Offline Flow

7.2.1.4 QMan Overview

The QMan links the FQs to producers and consumers (of data traffic) within the SoC. The producers/consumers are either FMan, acceleration blocks, or CPU cores.

All the producers/consumers have one channel, each of which is referred to as a dedicated channel. Additionally, there are a number of pool channels available to allow multiple cores (not FMan or accelerators) to service the same channel. Note that there are channels for each external FMan port, the number of which depends on the SoC, as well as the internal offline ports.

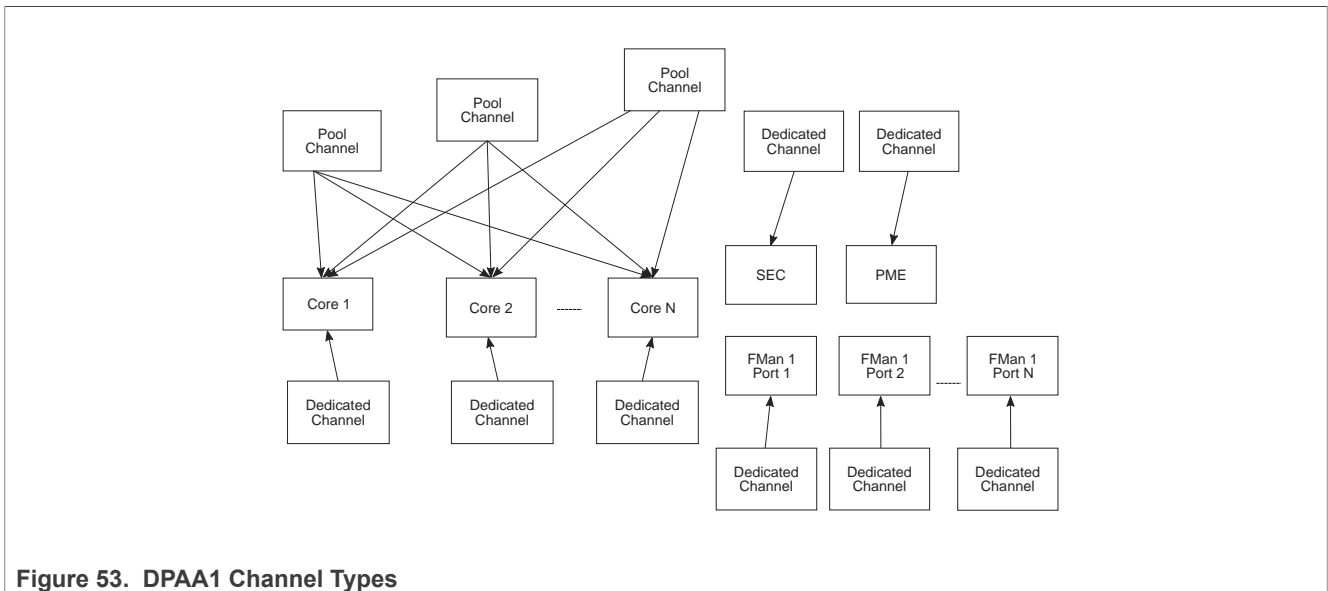


Figure 53. DPAA1 Channel Types

Each channel provides for eight levels of priority, each of which has its own work queue (WQ). The two highest level WQs are strict priority: traffic from WQ0 must be drained before any other traffic flows; then traffic from WQ1 and then traffic from the other six WQs is allowed to pass. The last six WQs are grouped together in two groups of three, which are configurable in a weighted round robin fashion. Most applications do not need to use all priority levels. When multiple FQs are assigned to the same WQ, QMan implements a credit-based scheme to determine which FQ is scheduled (providing frames to be processed) and how many frames (actually the credit is defined by the number of bytes in the frames) it can dequeue before QMan switches the scheduling to the next FQ on the WQ. If a higher priority WQ becomes active (that is, one of the FQs in the higher priority WQ receives a frame to become non-empty) then the dequeue from the lower priority FQ is suspended until the

higher priority frames are dequeued. After the higher priority FQ is serviced, when the lower priority FQ restarts servicing, it does so with the remaining credit it had before being preempted by the higher priority FQ.

When the DPAA1 elements of the SoC are initialized, the FQs are associated with WQs, allowing the traffic to be steered to the desired core (dedicated connect channel), set of cores (pool channel), FMan, or accelerator, using a defined priority.

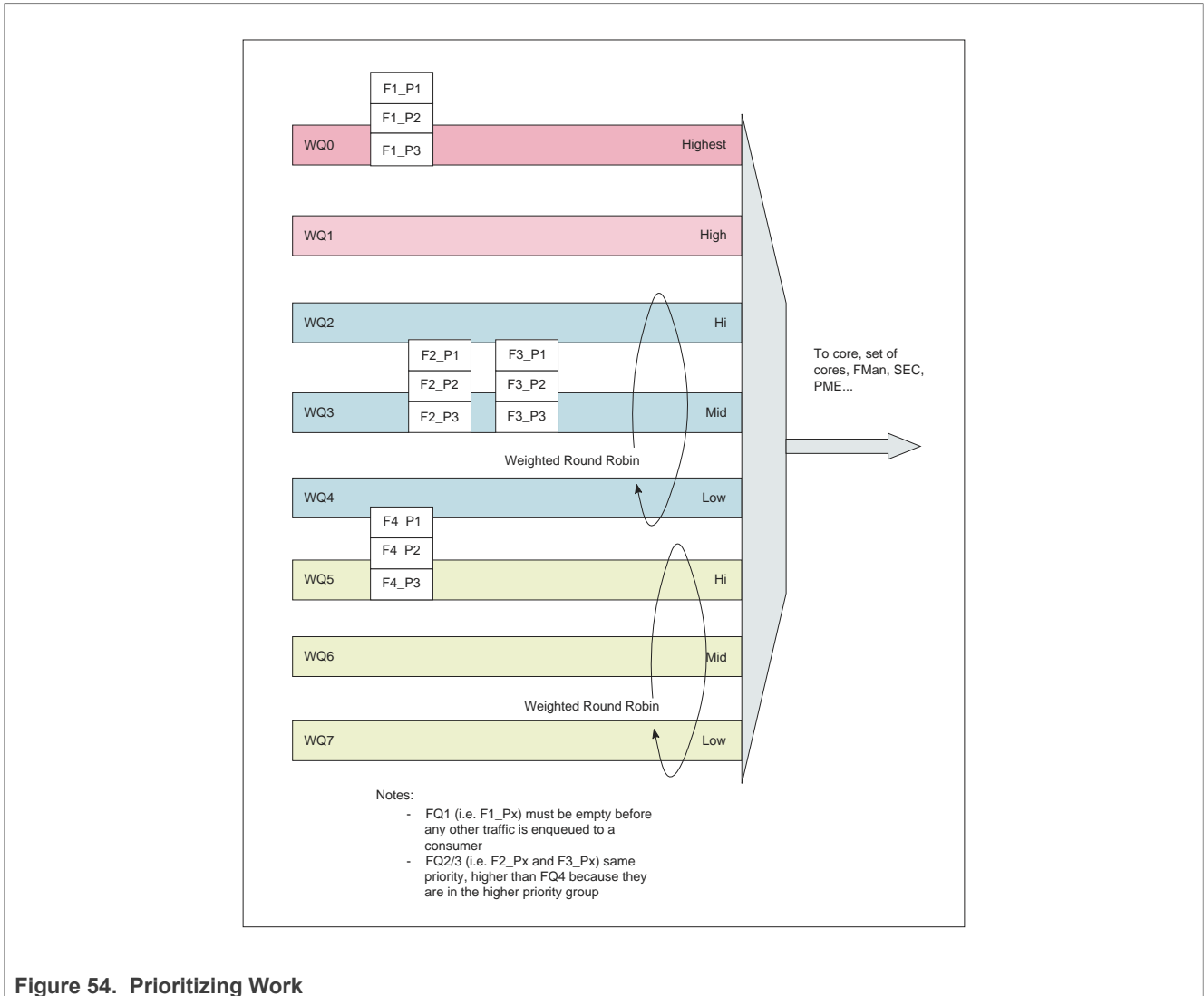


Figure 54. Prioritizing Work

7.2.1.4.1 QMan: Portals

A single portal exists for each non-core DPAA1 producer/consumer (FMan, SEC, and PME). This is a data structure internal to the SoC that passes data directly to/from the consumer’s direct connect channel.

Software portals are associated with the processor cores and are, effectively, data structures that the cores use to pass (enqueue) packets to or receive (dequeue) packets from the channels associated with that portal (core). Each SoC has at least as many software portals as there are cores. Software portals are the interface through which DPAA1 provides the data processing workload for a single thread of execution.

The portal structure consists of the following:

- The Dequeue Response Ring (DQRR) determines the next packet to be processed.

- The Enqueue Command Ring (EQCR) sends packets from the core to the other elements.
- The Message Ring (MR) notifies the core of the action (for example, attempted dequeue rejected, and so on).
- The Management command and response control registers.

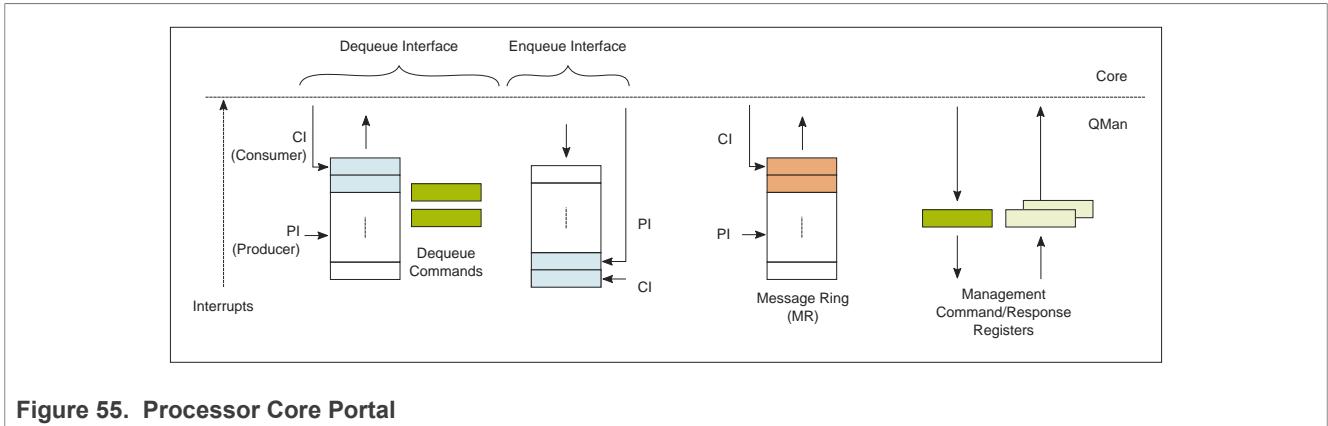


Figure 55. Processor Core Portal

On ingress, the DQRR acts as a small buffer of incoming packets to a particular core. When a section of software performs a get packet type operation, it gets the packet from a pointer provided as an entry in the DQRR for the specific core running that software. Note that the DQRR consolidates all potential channels that may be feeding frames to a particular core. There are up to 16 entries in each DQRR. Each DQRR entry contains:

- a pointer to the packet to be processed,
- an identifier of the frame queue from which the packet originated,
- a sequence number (when configured),
- and additional FMan-determined data (when configured).

When configured for push mode, QMan attempts to fill the DQRR from all the potential incoming channels. When configured in pull mode, QMan only adds one DQRR entry when it is told to by the requesting core. Pull mode may be useful in cases where the traffic flows must be very tightly controlled; however, push mode is normally considered the preferred mode for most applications.

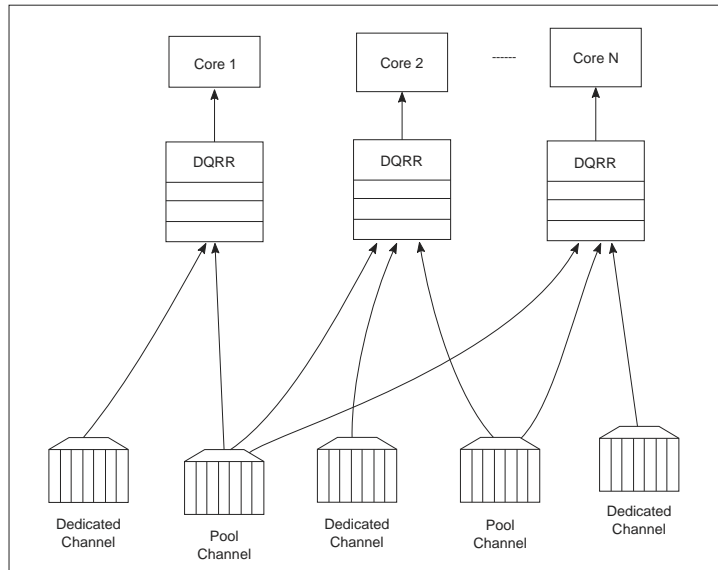


Figure 56. Ingress Channel to Portal Options

The DQRRs are tightly coupled to a processor core. DPAA1 implements a feature that allows the DQRR mechanism to pre-allocate, or stash, the L1 and/or L2 cache with data related to the packet to be processed by that core. The intent is to have the data required for packet processing in the cache before the processor runs the “get packet” routine, thereby reducing the overall time spent processing a particular packet.

The following is data that may be warmed into the caches:

- The DQRR entry
- The packet or portion of the packet for a single buffer packet
- The scatter gather list for a multi-buffer packet
- Additional data added by FMan
- FQ context (A and B)

The FQ context is a user-defined space in memory that contains data associated with the FQ (per flow) to be processed. The intent is to place in this data area the state information required when processing a packet for this flow. The FQ context is part of the FQ definition, which is performed when the FQ is initialized.

The cache warming feature is enabled by configuring the capability and some definition of the FQs and QMan at system initialization time. This can provide a significant performance boost and requires little to no change in the processing flow. When defining the system architecture, it is highly recommended that the user enable this feature and consider how to maximize its impact.

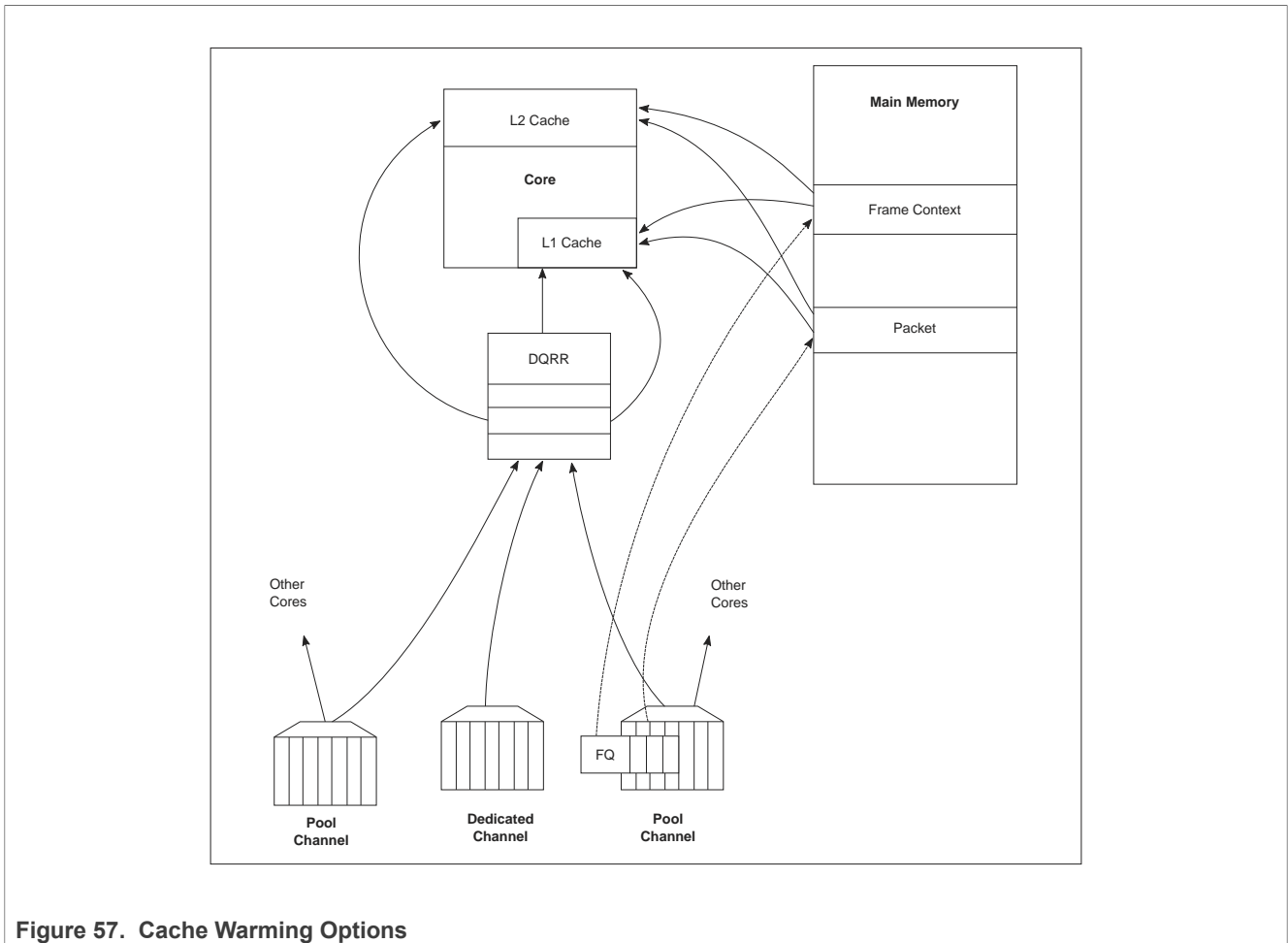


Figure 57. Cache Warming Options

In addition to getting packet information from the DQRR, the software also manages the DQRR by indicating which DQRR entry it will consume next. This is how the QMan determines when the DQRR (portal) is ready to process more frames. Two basic options are provided. In the first option, the software can update the ring pointer after one or several entries have been consumed. By waiting to indicate the consumption of multiple frames, the performance impact of the write doing this is minimized. The second option is to use the discrete consumption acknowledgment (DCA) mode. This mode allows the consumption indication to be directly associated with a frame enqueue operation from the portal (that is, after the frame has been processed and is on the way to the egress queue). This tracking of the DQRR Ring Pointer CI (Consumer Index) helps implement frame ordering by ensuring that QMan does not dequeue a frame from the same FQ (or flow) to a different core until the processing is completed.

7.2.1.5 QMan Scheduling

The QMan links the FQs to producers and consumers (of data traffic) within the SoC.

7.2.1.5.1 QMan: Queue schedule options

The primary communication path between QMan and the processor cores is the portal memory structure. QMan uses this interface to schedule the frames to be processed on a per-core basis. For a dedicated channel, the process is straightforward: the QMan places an entry in the DQRR for the portal (processor) of the dedicated channel and dequeues the frame from an FQ to the portal. To do this, QMan determines, based on the priority

scheme (previously described) for the channel, which frame should be processed next and then adds an entry to the DQRR for the portal associated with the channel.

When configured for push mode, once the portal requests QMan to provide frames for processing, QMan provides frames until halted. When the DQRR is full and more frames are destined for the portal, QMan waits for an empty slot to become available in the DQRR and then adds more entries (frames to be processed) as slots become available.

When configured for pull mode, the QMan only adds entries to the DQRR at the direct request of the portal (software request). The command to the QMan that determines if a push or pull mode is implemented and tells QMan to provide either one or from one to three (up to three if there are that many frames to be dequeued) frames at a time. This is a tradeoff of smaller granularity (for one frame only) versus memory access consolidation (if the up to three frames option is selected).

When the system is configured to use pool channels, a portal may get frames from more than one channel and a channel may provide frames (work) to more than one portal (core). QMan dequeues frames using the same mechanism described above (updating DQRR) and QMan also provides for some specific scheduling options to account for the pool channel case in which multiple cores may process the same channel.

7.2.1.5.2 QMan: Default Scheduling

The default scheduling is to have an FQ send frames to the same core for as long as that FQ is active. An FQ is active until it uses up its allocated credit or becomes empty. After an FQ uses its credit, it is rescheduled again, until it is empty. For its schedule opportunity, the FQ is active and all frames dequeued during the opportunity go to the same core. After the credit is consumed, QMan reactivates that FQ but may assign the flow processing to a different core. This provides for a sticky affinity during the period of the schedule opportunity. The schedule opportunity is managed by the amount of credit assigned to the FQ.

Note: A larger credit assigned to an FQ provides for a stickier core affinity, but this makes the processing work granularity larger and may affect load balancing.

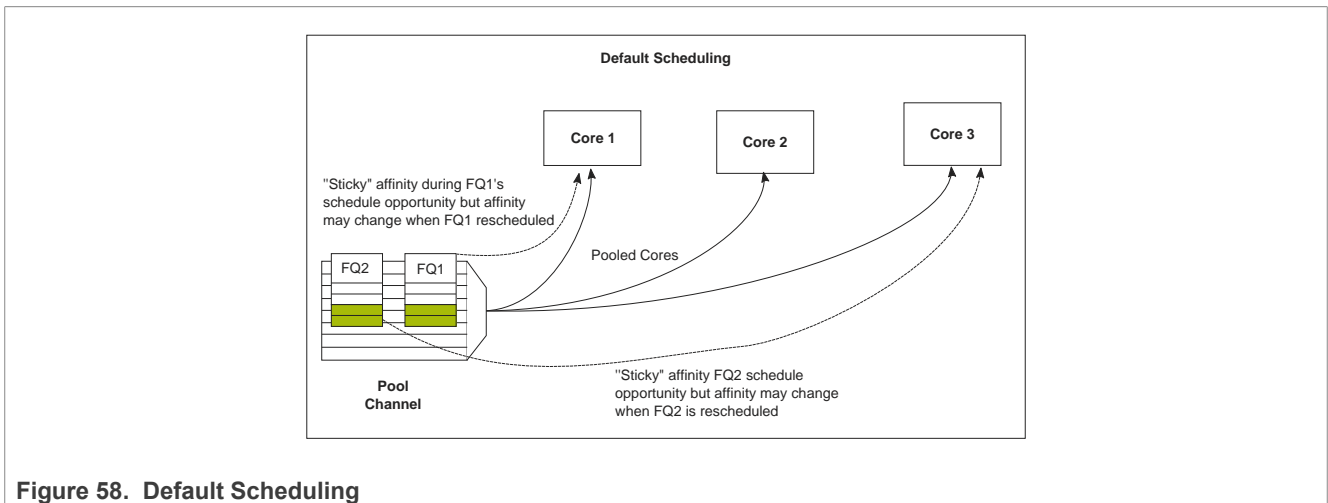


Figure 58. Default Scheduling

7.2.1.5.3 QMan: Hold Active Scheduling

With the hold active option, when the QMan assigns an FQ to a particular core, that FQ is affinity to that core until it is empty. Even after the FQ's credit is consumed, then it is rescheduled with the next schedule opportunity, the frames go to the same core for processing. This effectively makes the flow-to-core affinity stickier than the default case, ensuring the same flow is processed by the same core for as long as there are frames queued up for processing. Because the flow-to-core affinity is not hardwired as in the dedicated channel case, the software may still need to account for potential order issues. However, because of flow-to-

core biasing, the flow state data is more likely to remain in L1 or L2 cache, increasing hit rates and therefore improving processing performance. Because of the specific QMan implementation, only four FQs may be in held active state at a given time.

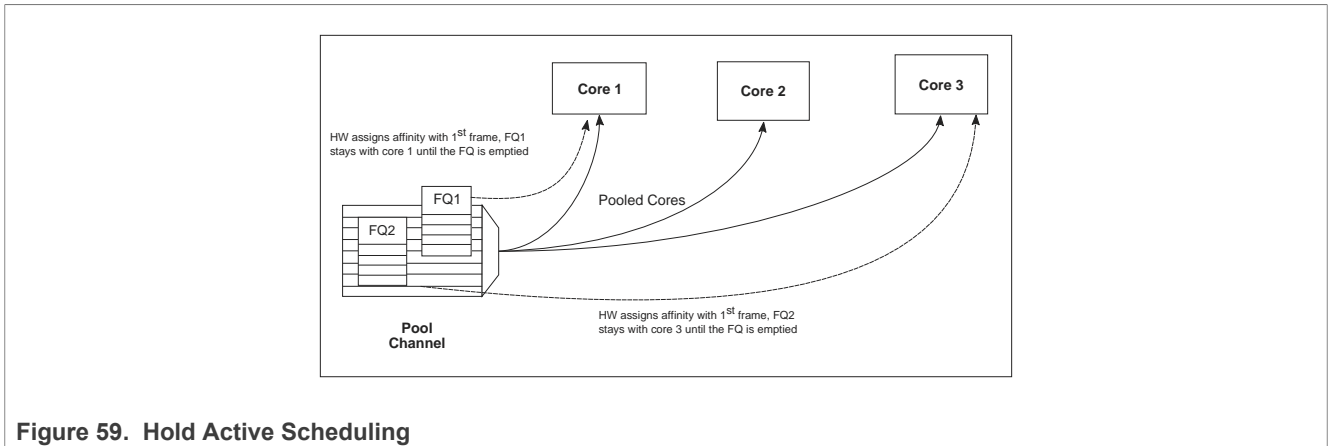


Figure 59. Hold Active Scheduling

7.2.1.5.4 QMan: Avoid blocking scheduling

Avoid blocking scheduling QMan can also be scheduled in the avoid blocking mode, which is mutually exclusive to hold active. In this mode, QMan schedules frames for an FQ to any available core in the pool channel. For example, if the credit allows for three frames to be dequeued, the first frame may go to core 1. But, when that dequeue fills core 1’s DQRR, QMan finds the next available DQRR entry in any core in the pool. With avoid blocking mode there is no biasing of the flow to core affinity. This mode is useful if a particular flow either has no specific order requirements or the anticipated processing required for a single flow is expected to consume more than one core’s worth of processing capability.

Alternatively, software can bypass QMan scheduling and directly control the dequeue of frame descriptors from the FQ. This mode is implemented by placing the FQ in parked state. This allows software to determine precisely which flow will be processed (by the core running the software). However, it requires software to manage the scheduling, which can add overhead and impact performance.

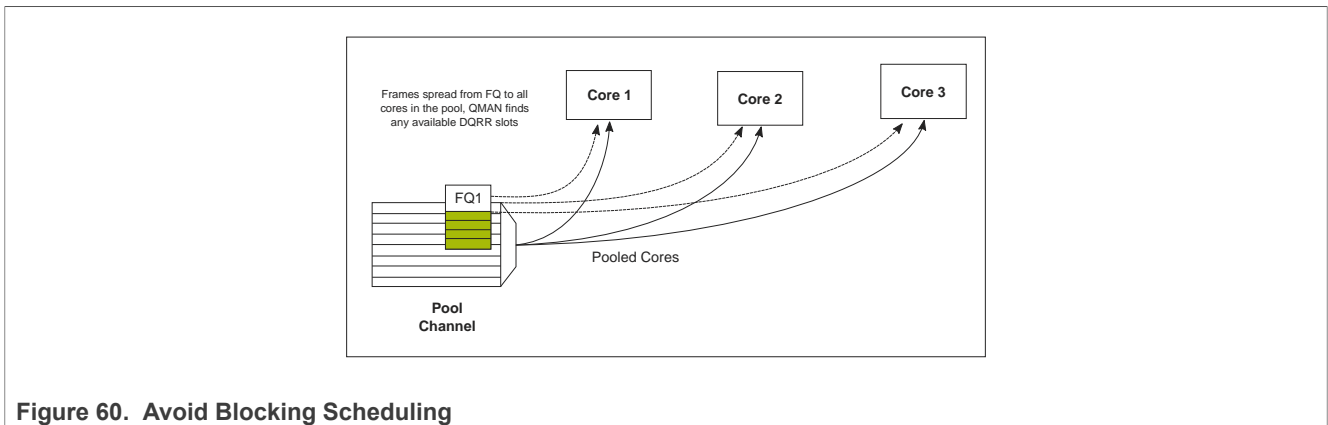


Figure 60. Avoid Blocking Scheduling

7.2.1.5.5 QMan: Order Definition/ Restoration

The QMan provides a mechanism to strictly enforce ordering. Each FQ may be defined to participate in the process of an order definition point and/or an order restoration point. On ingress, an order definition point provides for a 14-bit sequence number assigned to each frame (incremented per frame) in an FQ in the order in which they were received on the interface. The sequence number is placed in the DQRR entry for the frame when it is dequeued to a portal. This allows software to efficiently determine which packet it is currently

processing in the sequence without the need to access a shared (between cores) data structure. On egress, an order restoration point delays placing a frame onto the FQ until the expected next sequence number is encountered. From the software standpoint, once it has determined the relative sequence of a packet, it can enqueue it and resume other processing in a fire-and-forget manner.

Note: The order definition points and order restoration points are not dependent on each other; it is possible to have one without the other depending on application requirements. To effectively use these mechanisms, the packet software must be aware of the sequence tagging.

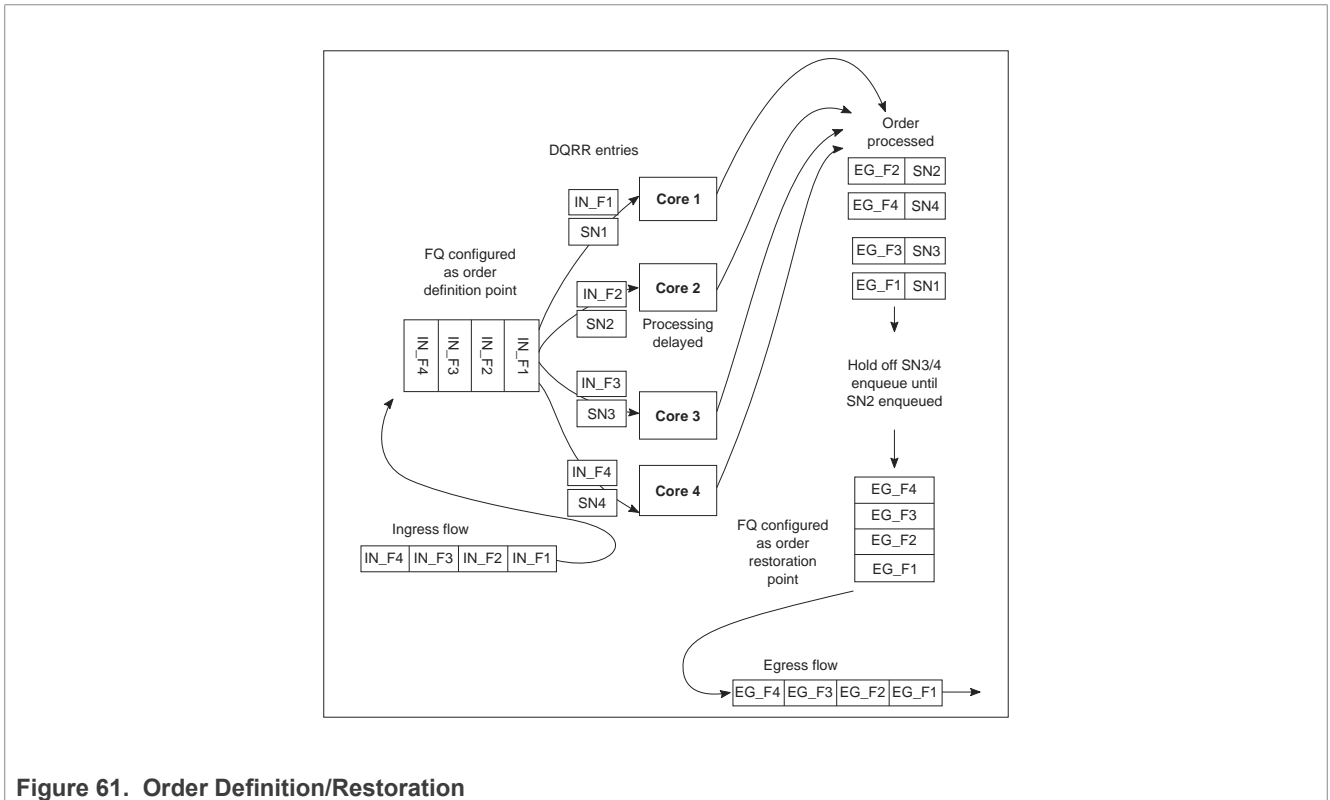


Figure 61. Order Definition/Restoration

As processors enqueue packets for egress, it is possible that they may skip a sequence number because of the nature of the protocol being processed. To handle this situation, each FQ that participates in the order restoration service maintains its own Next Expected Sequence Number (NESN). When the difference between the sequence number of the next expected and the most recently received sequence number exceeds the configurable ORP threshold, QMan gives up on the missing frame(s) and autonomously advances the NESN to bring the skew within threshold. This causes any deferred enqueues that are currently held in the ORP link list to become unblocked and immediately enqueue them to their destination FQ. If the “skipped” frame arrives after this, the ORP can be configured to reject or immediately enqueue the late arriving frame.

7.2.1.6 BMan

The BMan block manages the data buffers in memory. Processing cores, FMan, SEC and PME all may get a buffer directly from the BMan without additional software intervention. These elements are also responsible for releasing the buffers back to the pool when the buffer is no longer in use.

Typically, the FMan directly acquires a buffer from the BMan on ingress. When the traffic is terminated in the system, the core generally releases the buffer. When the traffic is received, processed, and then transmitted, the same buffer may be used throughout the process. In this case, the FMan may be configured to release the buffer automatically, when the transmit completes.

The BMan also supports single or multi-buffer frames. Single buffer frames generally require the adequately defined (or allocated) buffer size to contain the largest data frame and minimize system overhead. Multi-buffer frames potentially allow better memory utilization, but the entity passed between the producers/consumers is a scatter-gather table (that then points to the buffers within the frame) rather than the pointer to the entire frame, which adds an extra processing requirement to the processing element.

The software defines pools of buffers when the system is initialized. The BMan unit itself manages the pointers to the buffers provided by the software and can be configured to interrupt the software when it reaches a condition where the number of free buffers is depleted (so that software may provide more buffers as needed).

7.2.1.7 Order Handling

DPAA1 helps address packet order issues that may occur as a result of running an application in a multiple processor environment. And there are several ways to leverage DPAA1 to handle flow order in a system. The order preservation technique maps flow such that a specific flow always executes on a specific processor core.

For the case that DPAA1 handles flow order, the individual flow will not have multiple execution threads and the system will run much like a single core system. This option generally requires less impact to legacy, single-core software but may not effectively utilize all the processing cores in the system because it requires using a dedicated channel to the processors. The FMan PCD can be configured to either directly match a flow to a core or to use the hashing to provide traffic spreading that offers a permanent flow-to-core affinity.

If the application must use pool channels to balance the processing load, then the software must be more involved in the ordering. The software can make use of the order restoration point function in QMan, which requires the software to manage a sequence number for frames enqueued on egress. Alternatively, the software can be implemented to maintain order by biasing the stickiness of flow affinity with default or hold active scheduling; lock contention and cache misses can be biased to increase performance.

If there are no order requirements, then load balancing can be achieved by associating the non-ordered traffic to a pool of cores.

Note: *All of these techniques may be implemented simultaneously on the same SoC; as long as the flow definition is precise enough to split the traffic types, it is simply a matter of proper defining the FQs and associating them to the proper channels in the system.*

7.2.1.7.1 Using the exact match flow definition to preserve order

The simplest technique for preserving order is to route the ingress traffic of an individual flow to a particular core. For the particular flow in question, the system appears as a legacy, single-core programming model and, therefore, has minimal impact on the structure of the software. In this case, the flow definition determines the core affinity of a flow.

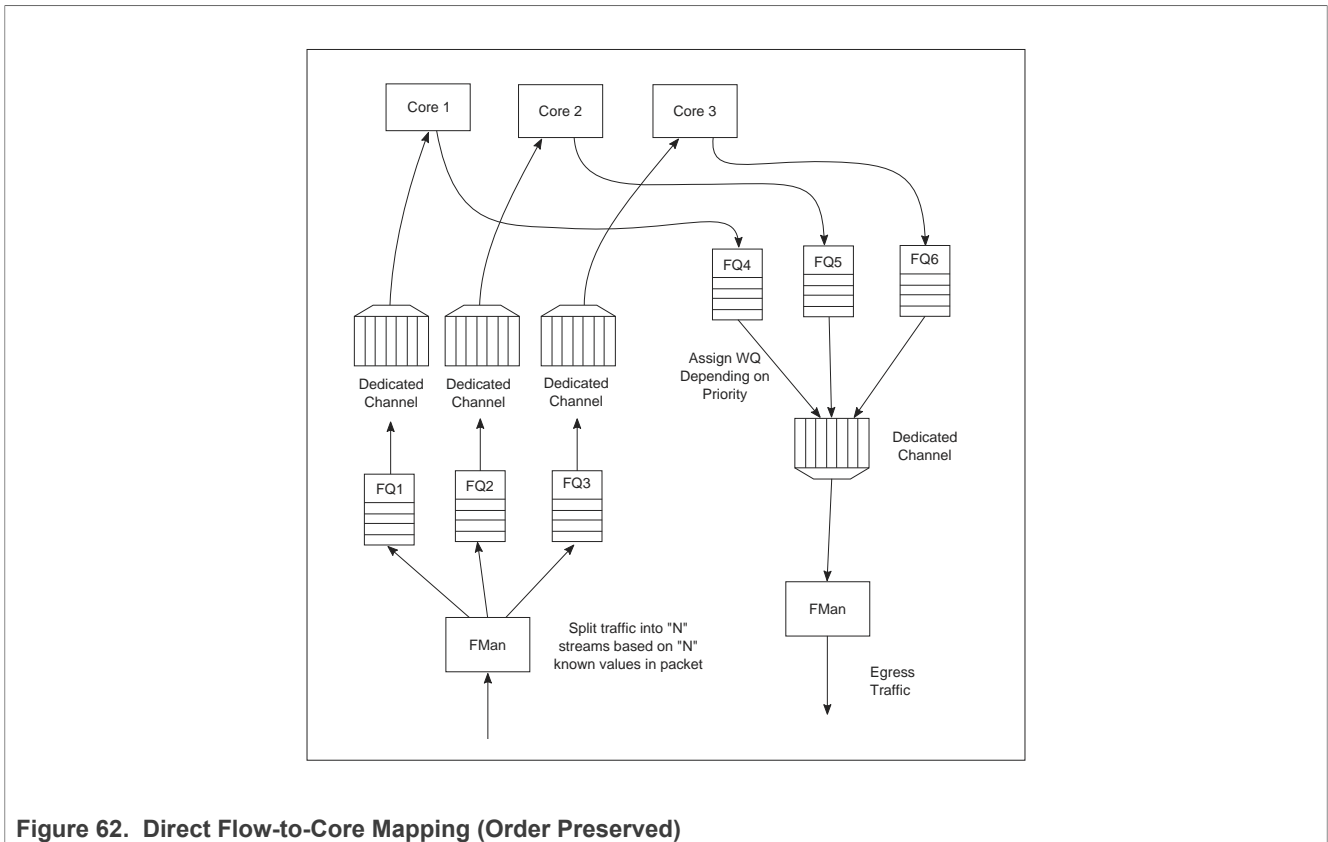


Figure 62. Direct Flow-to-Core Mapping (Order Preserved)

This technique is completely deterministic: the DPAA1 forces specific flows to a specific processor, so it may be easier to determine the performance assuming the ingress flows are completely understood and well-defined. Notice that a particular processor core may become overloaded with traffic while another sits idle for increasingly random flow traffic rates.

To implement this sort of scheme, the FMan must be configured to exactly match fields in the traffic stream. This approach can only be used for a limited number of total flows before the FMan’s internal resources are consumed.

In general, this sort of hardwired approach should be reserved for either critical out-of-band traffic or for systems with a small number of flows that can benefit from the highly deterministic nature of the processing.

7.2.1.7.2 Using hashing to distribute flows across cores

The FMan can be configured to extract data from a field or fields within the data frame, build a key from that, and then hash the resultant key into a smaller number. This is a useful technique to handle a larger number of flows while ensuring that a particular flow is always associated with a particular core. An example is to define a flow as an IPv4 source + IPv4 destination address. Both fields together constitute 64 bits, so there are 2⁶⁴ possible combinations for the flow in that definition. The FMan then uses a hash algorithm to compress this into a manageable number of bits. Note that, because the hash algorithm is consistent, packets from a particular flow always go to the same FQ. By utilizing this technique, the flows can be spread in a pseudo-random, consistent (per flow) manner to a smaller number of FQs. For example, hashing the 64 bits down to 2 bits spreads the flows among four queues. Then these queues can be assigned to four separate cores by using a dedicated channel; effectively, this appears as a single-core implementation to any specific flow.

This spreading technique works best with a large number of possible flows to allow the hash algorithm to evenly spread the traffic between the FQs. In the example below, when the system is only expected to have eight flows at a given time, there is a good chance the hash will not assign exactly two flows per FQ to evenly distribute the

flows between the four cores shown. However, when the number of flows handled is in the hundreds, the odds are good that the hash will evenly spread the flows for processing.

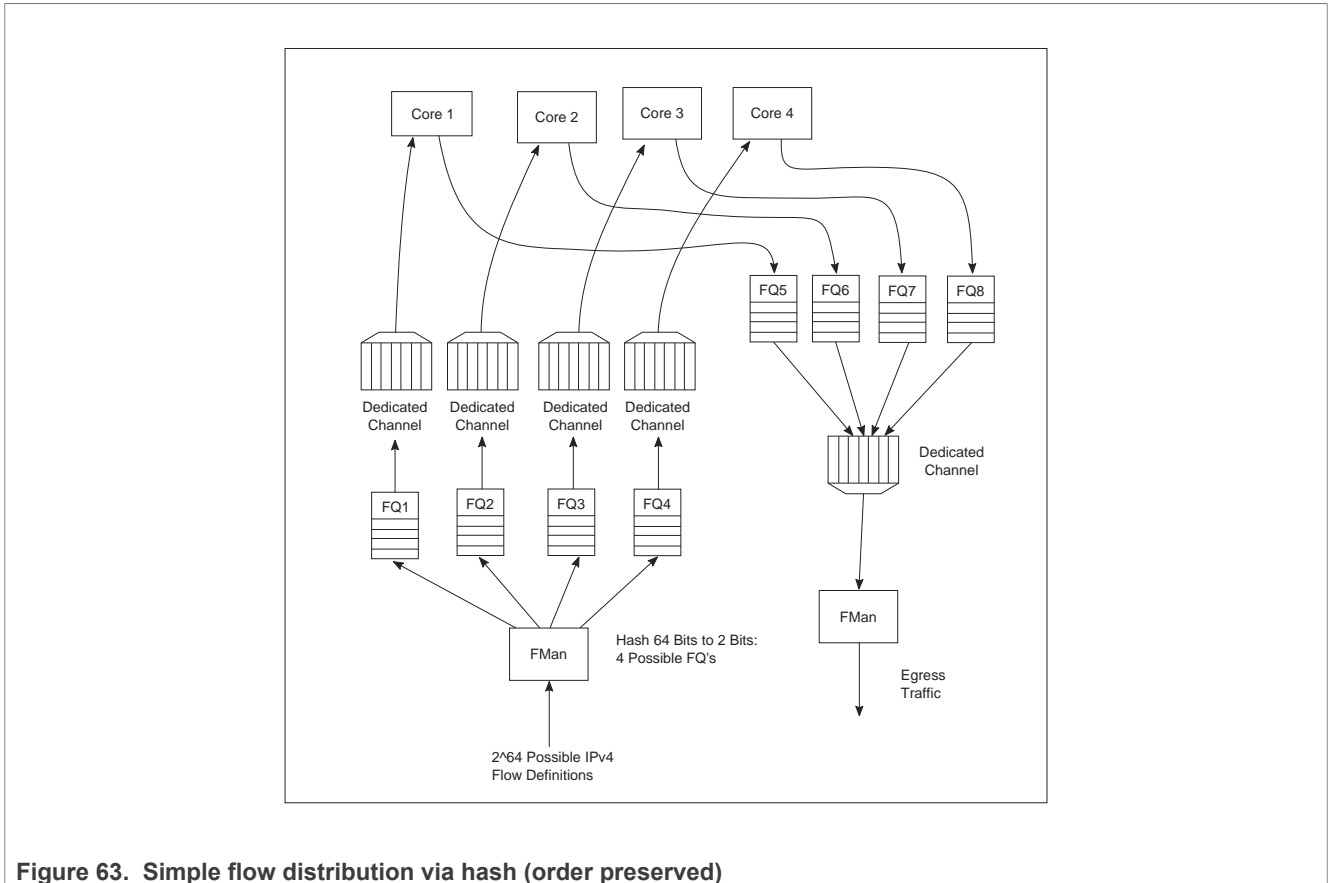


Figure 63. Simple flow distribution via hash (order preserved)

To optimize cache warming, the total number of hash buckets can be increased with flow-to-core affinity maintained. When the number of hash values is larger than the number of expected flows at a given time, it is likely though not guaranteed that each FQ will contain a single flow. For most applications, the penalty of a hash collision is two or more flows within a single FQ. In the case of multiple flows within a single FQ, the cache warming and temporary core affinity benefits are reduced unless the flow order is maintained per flow.

Note that there are 24 bits architected for the FQ ID, so there may be as many as 16 million FQs in the system. Although this total may be impractical, this does allow for the user to define more FQs than expected flows in order to reduce the likelihood of a hash collision; it also allows flexibility in assigning FQID's in some meaningful manner. It is also possible to hash some fields in the data frame and concatenate other parse results, possibly allowing a defined one-to-one flow to FQ implementation without hash collisions.

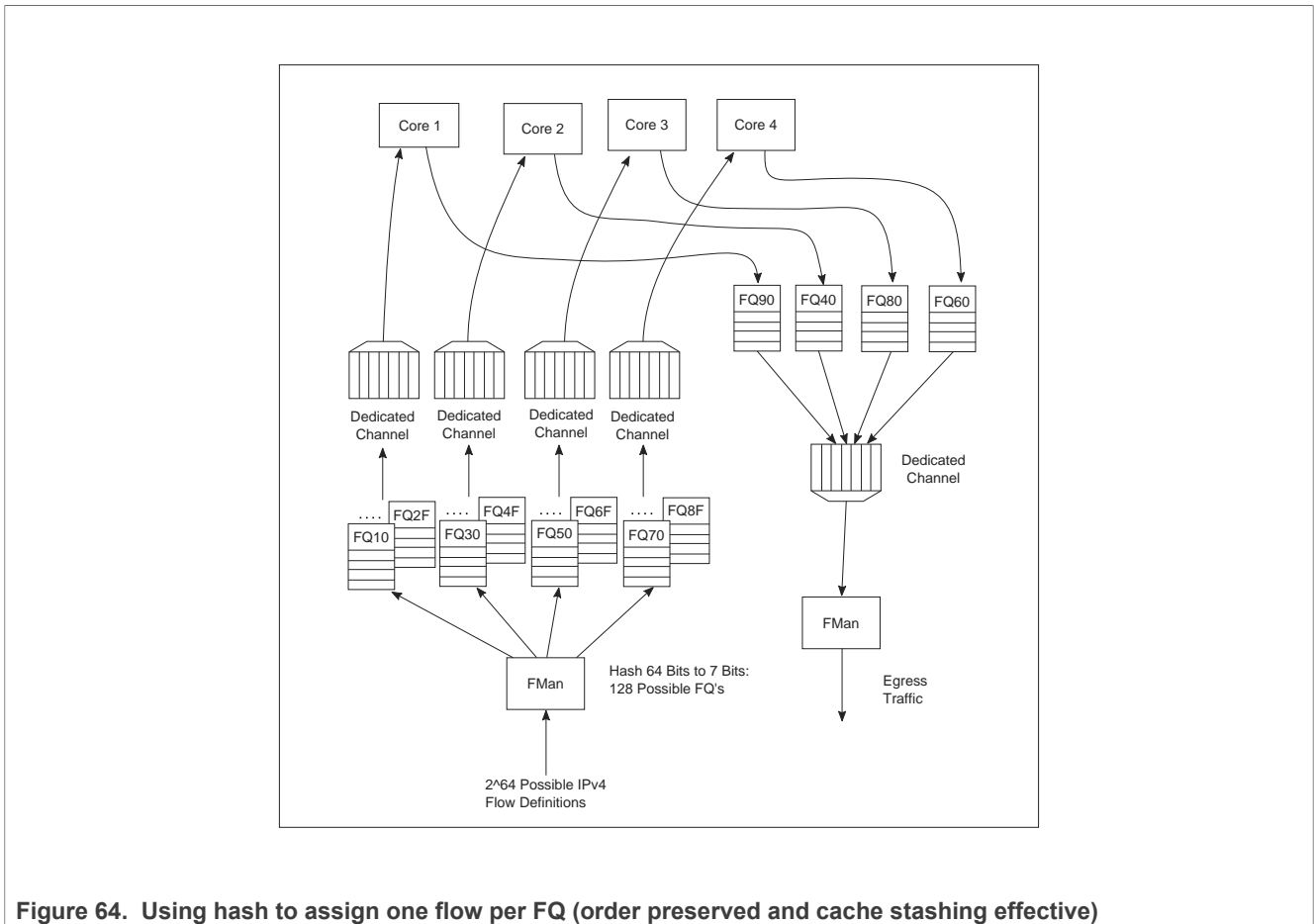


Figure 64. Using hash to assign one flow per FQ (order preserved and cache stashing effective)

7.2.1.8 Pool Channels

A user may employ a pool channel approach where multiple cores may pool together to service a specific set of flows. This alternative approach allows potentially better processing balance, but increases the likelihood that packets may be processed out of order allowing egress packets to pass ingress packets.

So far, the techniques discussed in this white paper have involved assigning specific flows to the same core to ensure that the same core always processes the same flow or set of flows, thereby preserving flow order. However, depending on the nature of the flows being processed (that is, variable frame sizes, difficulty efficiently spreading due to the nature of the flow contents, and so on), this may not effectively balance the processing load among the cores. Alternatively, a user may employ a pool channel approach where multiple cores may pool together to service a specific set of flows. This alternative approach allows potentially better processing balance, but increases the likelihood that packets may be processed out of order allowing egress packets to pass ingress packets. When the application does not require flows to be processed in order, the pool channel approach allows the easiest method for balancing the processing load. When a pool channel is used and order is required, the software must maintain order. The hardware order preservation may be used by the software to implement order without requiring locked access to shared state information. When the system uses a software lock to handle order, then the default scheduling and hold active scheduling tends to minimize lock contention.

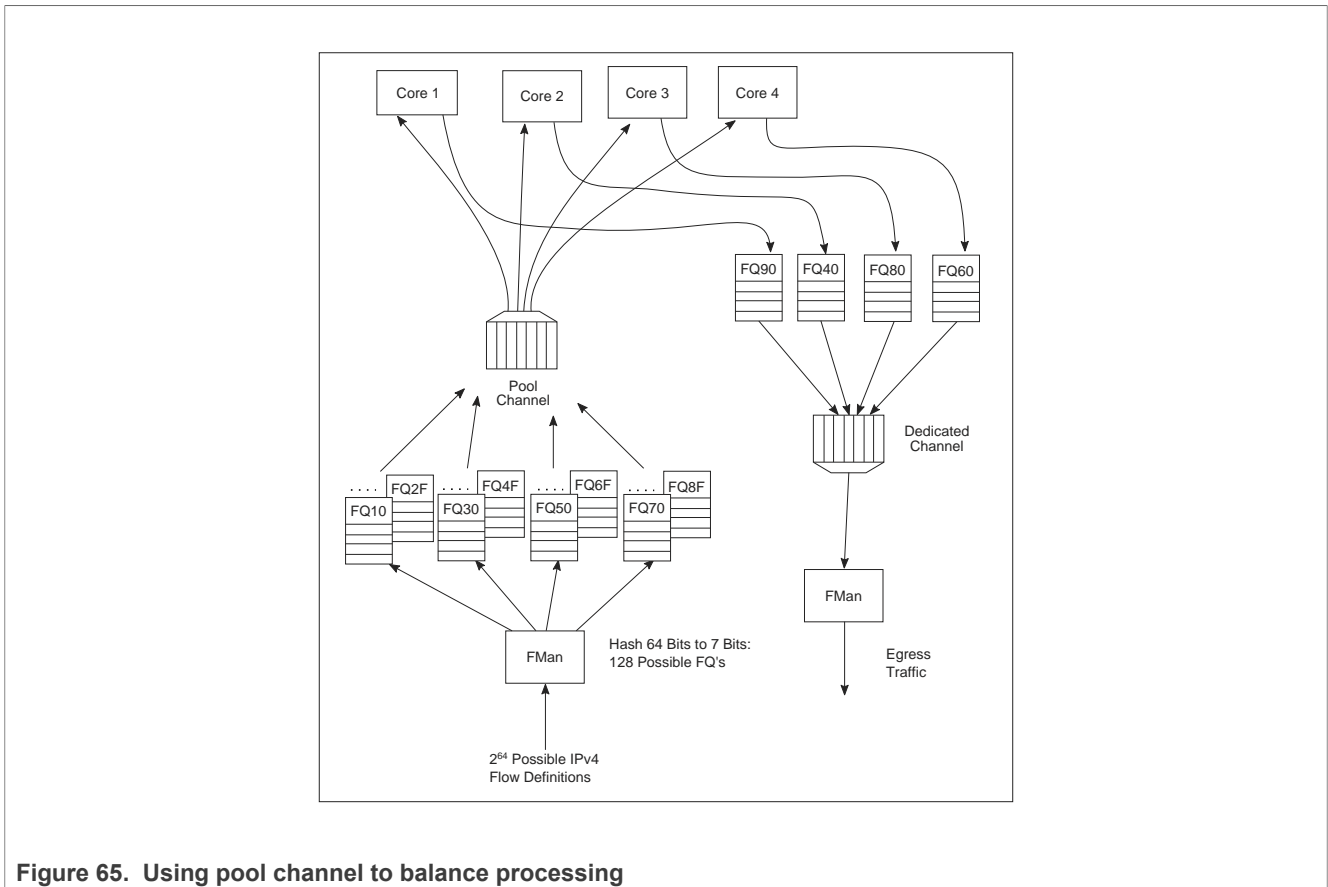


Figure 65. Using pool channel to balance processing

7.2.1.8.1 Order preservation using hold active scheduling and DCA mode

As shown in the examples above, order is preserved as long as two or more cores never process frames from the same flow at the same time. This can also be accomplished by using hold active scheduling along with discrete consumption acknowledgment (DCA) mode associated with the DQRR. Although flow affinity may change for an FQ with hold active scheduling when the FQ is emptied, if the new work (from frames received after the FQ is emptied) is held off until all previous work completes, then the flow will not be processed by multiple cores simultaneously, thereby preserving order.

When the FQ is emptied, QMan places the FQ in hold suspended state, which means that no further work for that FQ is enqueued to any core until all previously enqueued work is completed. Because DCA mode effectively holds off the consumption notification (from the core to QMan) until the resultant processed frame is enqueued for egress, this implies processing is completely finished for any frames in flight to the core. After all the in-flight frames have been processed, QMan reschedules the FQ to the appropriate core.

Note: After the FQ is empty and when in hold active mode, the affinity is not likely to change. This is because the indication of “completeness” from the core currently processing the flow frees up some DQRR slots that could be used by QMan when it restarts enqueueing work for the flow. The possibility of the flow-to-core affinity changing when the FQ empties is only discussed as a worst case possibility with regard to order preservation.

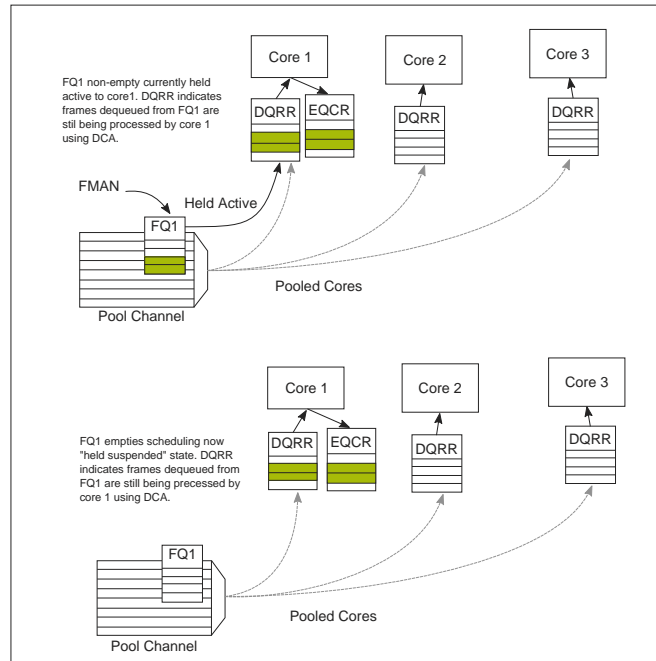


Figure 66. Hold active to held suspended mode

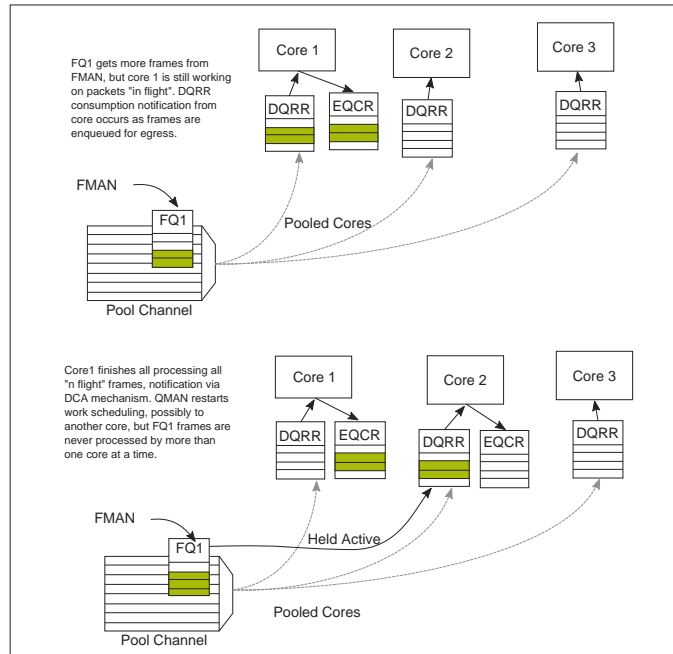


Figure 67. Held suspended to hold active mode

7.2.1.8.2 Congestion management

From an overall system perspective, there are multiple potential overflow conditions to consider. The maximum number of frames active in the system (the number of frames in flight) is determined by the amount of memory allocated to the Packed Frame Queue Descriptors (PQFD's). Each PQFD is 64 bytes and can identify up to three frames, so the total number of frames that can be identified by the PQFDs is equal to the amount of memory allocated for PQFD space divided by 64 bytes (per entry) multiplied by three (frames per entry).

A pool of buffers may deplete in BMan. This depends on how many buffers have been assigned by software for BMan. BMan may raise an interrupt to request more buffers when in a depleted state for a given pool; the software can manage the congestion state of the buffer pools in this manner.

In addition to these high-level system mechanisms, congestion management may also be identified specific to the FQs. A number of FQs can be grouped together to form a congestion group (up to 256 congestion groups per system for most DPAA1 SoCs). These FQs need not be on the same channel. The system may be configured to indicate congestion by either considering the aggregate number of bytes within the FQ's in the congestion group or the aggregate number of frames within the congestion group. The frame count option is useful when attempting to manage the number of buffers in a buffer pool as they are used by a particular core or group of cores. The byte count is useful to manage the amount of system memory used by a particular core or group of cores.

When the total number of frames/bytes within the frames in the congestion group exceeds the set threshold, subsequent enqueues to any of the FQs in the group are rejected; in general, the frame is dropped. For the congestion group mechanism, the decision to reject is defined by a programmed weighted random early discard (WRED) algorithm programmed when the congestion group is defined.

In addition, a specific FQ can be set to a particular maximum allowable depth (in bytes); after the threshold is reached enqueue attempts will be rejected. This is a maximum threshold: there is no WRED algorithm for this mechanism. Note that, when the FQ threshold is not set, a specific FQ may fill until some other mechanism (because it's part of a congestion group or system PQFD depletion or BMAN depletion) prevents the FQ from getting frames. Typically, FQs within a congestion group are expected to have a maximum threshold set for each FQ in the group to ensure a single queue does not get stuck and unfairly consume the congestion group. Note that, when an FQ does not have a queue depth set and/or is not a part of a congestion group, the FQ has no maximum depth. It would be possible for a single queue to have all the frames in the system, until the PQFD space or the buffer pool is exhausted.

7.2.1.9 Application Mapping

The first step in application mapping is to determine how much processing capability is required for tasks that may be partitioned separately.

7.2.1.9.1 Processor core assignment

Consider a typical networking application with a set of distinct control and data plane functionality. Assigning two cores to perform control plane tasks and six cores to perform data plane tasks may be a reasonable partition in an eight-core device. When initially identifying the SoC required for the application, along with the number of cores and frequencies required, the designer makes some performance assumptions based on previous designs and/or applicable benchmark data.

7.2.1.9.2 Define flows

Next, define what flows are in the system. Key considerations for flow definition include the following:

- Total number of flows expected at a given time within the system
- Desired flow-to-core affinity, ingress flow destination
- Processor load balancing

- Frame sizes (may be fixed or variable)
- Order preservation requirement
- Traffic priority relative to the flows
- Expected bandwidth requirement of specific flows or class of flows
- Desired congestion handling

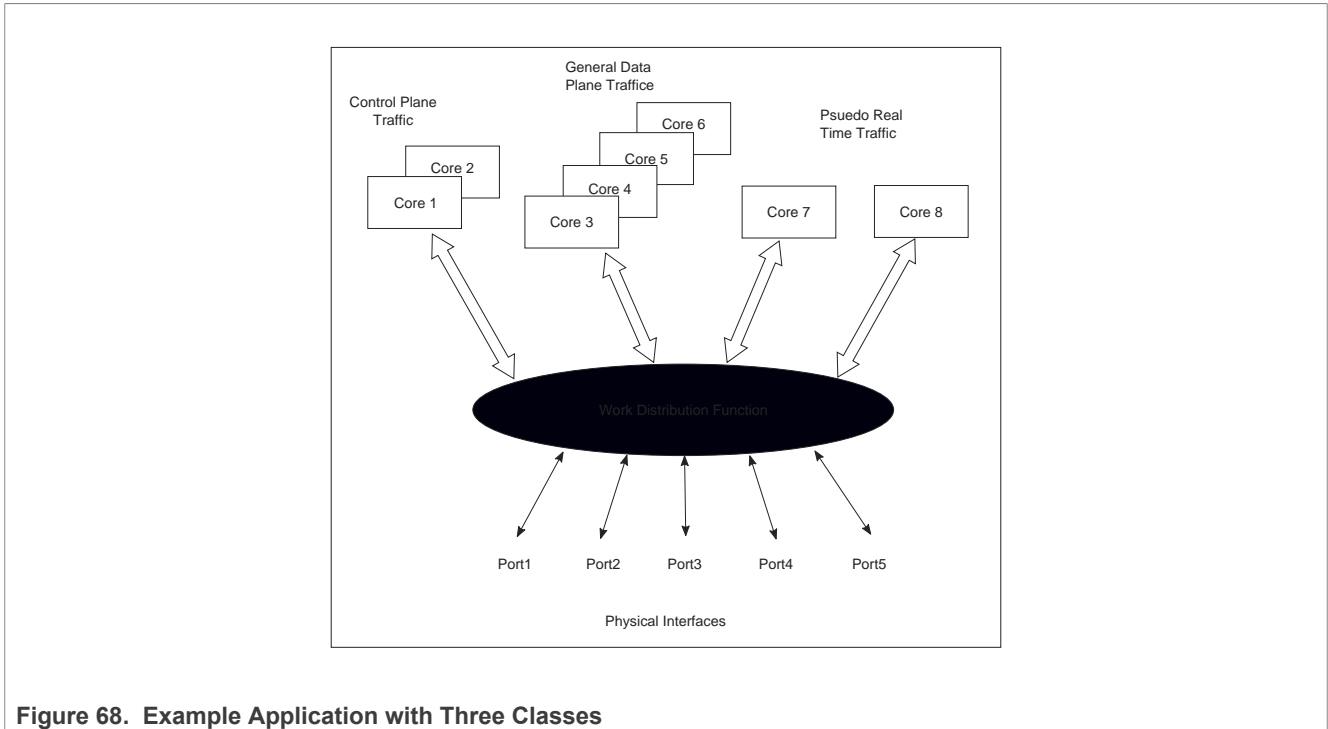


Figure 68. Example Application with Three Classes

In the figure above, two cores are dedicated to processing control plane traffic, four cores are assigned to process general data traffic and special time critical traffic is split between two other cores. In this case, assume the traffic characteristics in the following table. With this system-level definition, the designer can determine which flows are in the system and how to define the FQs needed.

Table 51. Traffic characteristics

Characteristic	Definition
Control plane traffic	<ul style="list-style-type: none"> • Terminated in the system and any particular packet sent has no dependency on previous or subsequent packets (no order requirement). • May occur on ports 1, 2 or 3. • Ingress control plane traffic on port three is higher priority than the other ports. • Any ICMP packet on ports 1, 2 or 3 is considered control plane traffic. • Control plane traffic makes up a small portion of the overall port bandwidth.
General data plane traffic	<ul style="list-style-type: none"> • May occur on ports 1, 2 or 3 and is expected to comprise the bulk of the traffic on these ports. • The function performed is done on flows and egress packets must match the order of ingress packets. • A flow is identified by the IP source address. • The system can expect up to 50 flows at a time. • All flows have the same priority and a lower priority than any control plane traffic.

Table 51. Traffic characteristics...continued

Characteristic	Definition
	<ul style="list-style-type: none"> It is expected that software is not able to keep up with this traffic and the system should drop packets after some amount of packets are within the system.
Pseudo real-time traffic	<ul style="list-style-type: none"> A high amount of determinism is required by the function. This traffic only occurs on port 4 and port 5 and is identified by a proprietary field in the header; any traffic on these ports without the proper value in this field is dropped. All valid ingress traffic on port 4 is to be processed by core 7, ingress traffic on port 5 processed by core 8. There are only two flows, one from port 4 to port 5 and one from port 5 to port 4, egress order must match ingress order. The traffic on these flows is the highest priority.

7.2.1.9.3 Identify ingress and egress frame queues (FQs)

For many applications, because the ingress flow has more implications for processing, it is easier to consider ingress flows first. In the example above, the control plane and pseudo real-time traffic FQ definitions are fairly straightforward. For the control plane ingress, one FQ for lower priority traffic on ports 1 and 2 and one for the higher priority traffic would work. Note that two ports can share the same queue on ingress when it does not matter for which core the traffic is destined. For ingress pseudo real-time traffic, there is one FQ on port 4 and one FQ on port 5.

The general data plane ingress traffic is more complicated. Multiple options exist which maintain the required ordering for this traffic. While this traffic would certainly benefit from some of the control features of the QMan (cache warming, and so on), it is best to have one FQ per flow. Per the example, the flow is identified by the IP source (32 bits), which consists of too many bits to directly use as the FQID. The hash algorithm can be used to reduce the 32-bits to a smaller number; in this case, 6 bits would generate 64 queues, which are more than the anticipated maximum flows at a given time. However, this is not significantly more than maximum flow expected, so more FQs can be defined to reduce hash collisions. Note that, in this case, a hash collision implies that two flows are assigned to the same FQ. As the ingress FQs fill directly from the port, the packet order is still maintained when there is a collision (two flows into one FQ). However, having two flows in the same FQ tends to minimize the impact of cache warming. There may be other possibilities to refine the definition of flows to ensure a one-to-one mapping of flows to FQs (for example, concatenating other fields in the frame) but for this example, assume that an 8-bit hash (256 FQs) minimizes the likelihood of two flows in the FQ to an acceptable level.

Consider the case in which, on ingress, there is traffic that does not match any of the intended flow definitions. The design can handle these by placing unidentifiable packets into a separate garbage FQ or by simply having the FMan discard the packets.

On egress control traffic, because the traffic may go out on three different ports, three FQs are required. For the egress pseudo real-time traffic, there is one queue for each port as well.

For the egress data plane traffic, there are multiple options. When the flows are pinned to a specific core, it might be possible to simply have one queue per port. In this case, the cores would effectively be maintaining order. However, for this example, assume that the system uses the order definition/order restoration mechanism previously described. In this case, the system needs to define an FQ for each egress flow. Note that, since software is managing this, there is no need for any sort of hash algorithm to spread the traffic; the cores enqueue to the FQ associated with the flow. When there are no more than 50 flows in the system at one time, and number of egress flows per port is unknown, the system could define 50 FQs for each port when DPAA1 is initialized.

7.2.1.9.4 Define PCD configuration for ingress FQs

This step involves defining how the FMan splits the incoming port traffic into the FQs. In general, this is accomplished using the PCD (Parse, Classify, Distribute) function and results in specific traffic assigned to a specific FQID. Fields in the incoming packet may be used to identify and split the traffic as required. For this key optimization case, the user must determine the correct field. The example is as follows:

- For the ingress control traffic, the ICMP protocol identifier is the selector or key. If the traffic is from ports 1 or 2, then that traffic goes to one FQID. If it is from port 3, the traffic goes to a different FQID because this needs to be separated and given a higher priority than the other two ports.
- For the ingress data plane traffic, the IP source field is used to determine the FQID. The PCD is then configured to hash the IP source to 8 bits, which generates 256 possible FQs. Note that this is the same, regardless of whether the packet came from ports 1, 2, or 3.
- For the ingress pseudo real-time traffic, the PCD is configured to check for the proprietary identifier. If there is a match, then the traffic goes to an FQID based on the ingress port. If there is no match, then the incoming packet is discarded. Also, the soft parser needs to be configured/programmed to locate the proprietary identifier.

Note: The FQID number itself can be anything (within the 24 bits to define the FQ). To maintain meaning, use a numbering scheme to help identify the type of traffic. For the example, define the following ingress FQIDs:

- High priority control: FQID `0x100`
- Low priority control: FQID `0x200`
- General data plane: FQID `0x1000 - 0x10FF`
- Pseudo real-time traffic: FQID `0x2000` (port 4), FQID `0x2100` (port 5)

The specifics for configuring the PCDs are described in the **DPAA1 Reference Manual** and in the Software Developer Kit (SDK) used to develop the software.

7.2.1.10 FQ/WQ/Channel

For each class of traffic in the system, the FQs must be defined together with both the channel and the WQ to which they are associated. The channel association affines to a specific processor core while the WQ determines priority.

Consider the following by class of traffic:

- The control traffic goes to a pool of two cores with priority given to traffic on port 3.
- The general data plane traffic goes to a pool of 4 cores.
- The pseudo real-time traffic goes to two separate cores as a dedicated channel.

When the FQ is defined in addition to the channel association, the other parameters may be configured. In the application example, the FQs from 1000 to 10FF are all assigned to the same congestion group. This is done when the FQ is initialized. Also, for these FQs it is desirable to limit the individual FQ length. This would also be configured when the FQ is initialized.

Because the example application is going to use order definition/order restoration mode, this setting needs to be configured for each FQ in the general data plane traffic (FQID `0x1000-0x10FF`). Note that order is not required for the control plane traffic and that order is preserved in the pseudo real-time traffic because the ingress traffic flows are mapped to specific cores.

QMan configuration considerations include the congestion management and pool channel scheduling. A congestion group must be defined as part of QMan initialization. (Note that the FQ initialization is where the FQ is bound to a congestion group.) This is where the total number of frames and the discard policy of the congestion group are defined. Also, consider the QMan scheduling for pool channels. In this case, the default of temporarily attaching an FQ to a core until the FQ is empty will likely work best. This tends to keep the caches current, especially for the general data plane traffic on cores 3-6.

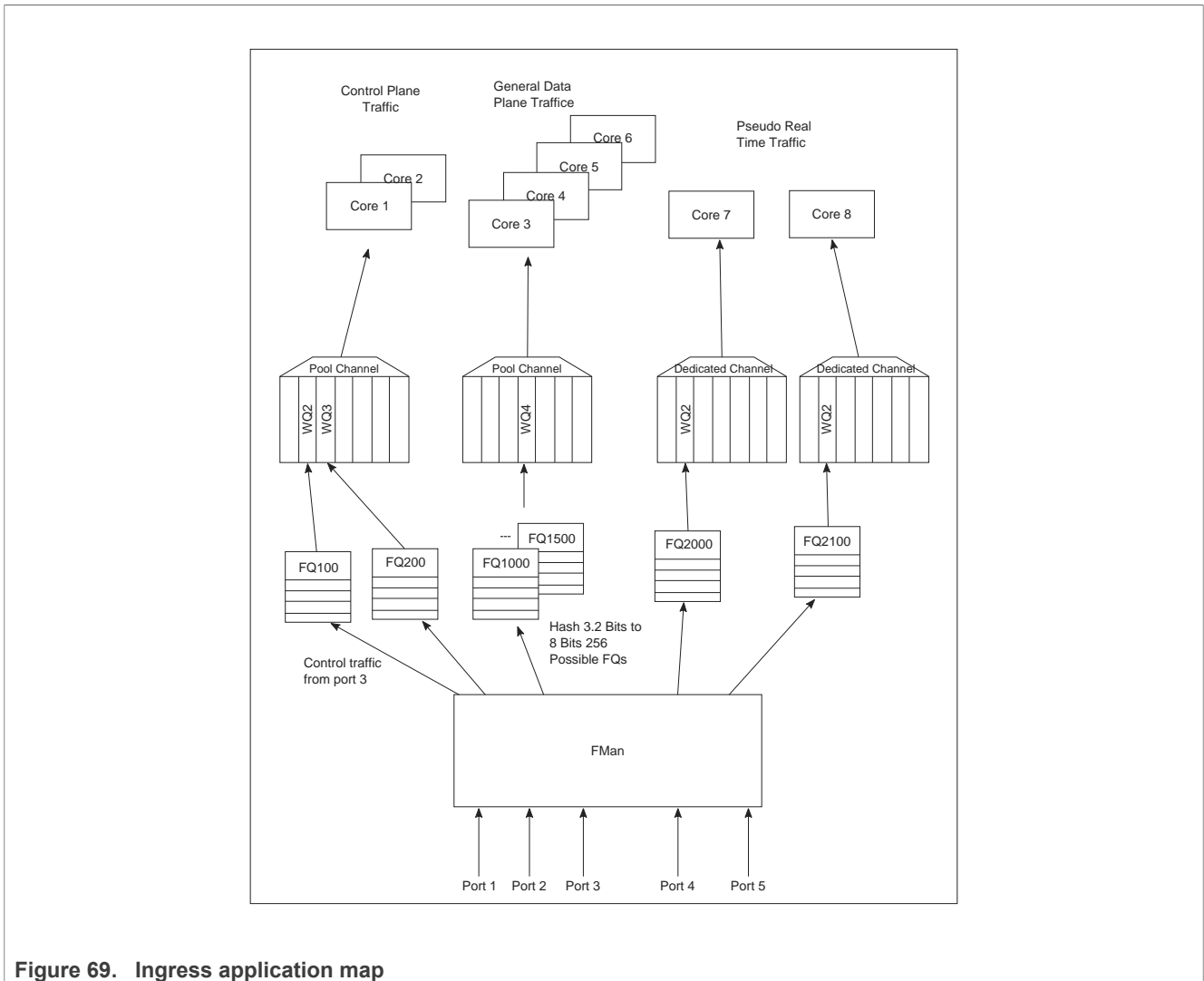


Figure 69. Ingress application map

7.2.1.10.1 Define egress FQ/WQ/channel configuration

For egress, the packets still flow through the system using DPAA1, but the considerations are somewhat different. Note that each external port has its own dedicated channel; therefore, to send traffic out of a specific port, the cores enqueue a frame to an FQ associated with the dedicated channel for that port. Depending on the priority level required, the FQ is associated with a specific work queue.

For the example, the egress configuration is as follows:

- For control plane traffic, there needs to be separate queues for each port this traffic may use. These FQs must be assigned to a WQ that is higher in priority than the WQ used for the data plane traffic. The example shown includes a strict priority (over the data plane traffic) for ports 1 and 2 with the possibility of WRED with the data plane traffic on port 3.
- Because the example assumes that the order restoration facility in the FQs will be utilized, there must be one egress FQ for each flow. The initial system assumptions are for up to 50 flows of this type; however, the division by port is unknown, the FQs can be assigned so that there are at least 50 for each port. Note that FQs can be added when the flow is discovered or they can be defined at system initialization time.
- For the pseudo real-time traffic, per the initial assumptions, core 7 sends traffic out of port 4 and core 8 sends traffic out of port 5. As the flows are per core, the order is preserved because of this mapping. These are

assigned to WQ2, which allows definition for even higher priority traffic (to WQ1) or lower priority traffic for future definition on these ports.

As stated before, the FQIDs can be whatever the user desires and should be selected to help keep track of what type of traffic the FQ's are associated. For this example:

- Control traffic for ports 1, 2, 3 are FQID 300, 400, 500 respectively.
- Data plane traffic for ports 1, 2, 3 are FQID 3000-303F, 4000-403F, and 5000-503F respectively, this provides for 64 FQ's per port on egress.
- The pseudo real-time traffic uses FQID 6000 for port 4 and 7000 for port 5.

Because this application makes use of the order restoration feature, an order restoration point must be defined for each data plane traffic flow. Also, congestion management on the FQs may be desirable. Consider that the data plane traffic may come in on multiple ports but may potentially be consolidated such that it egresses out a single port. In this case, more traffic may be attempted to be enqueued to a port than the port interface rate may allow, which may cause congestion. To manage this possibility, three congestion groups can be defined each containing all the FQs on each of the three ports that may have the control plus data plane traffic. As previously discussed, it may be desirable to set the length of the individual FQs to further manage this potential congestion.

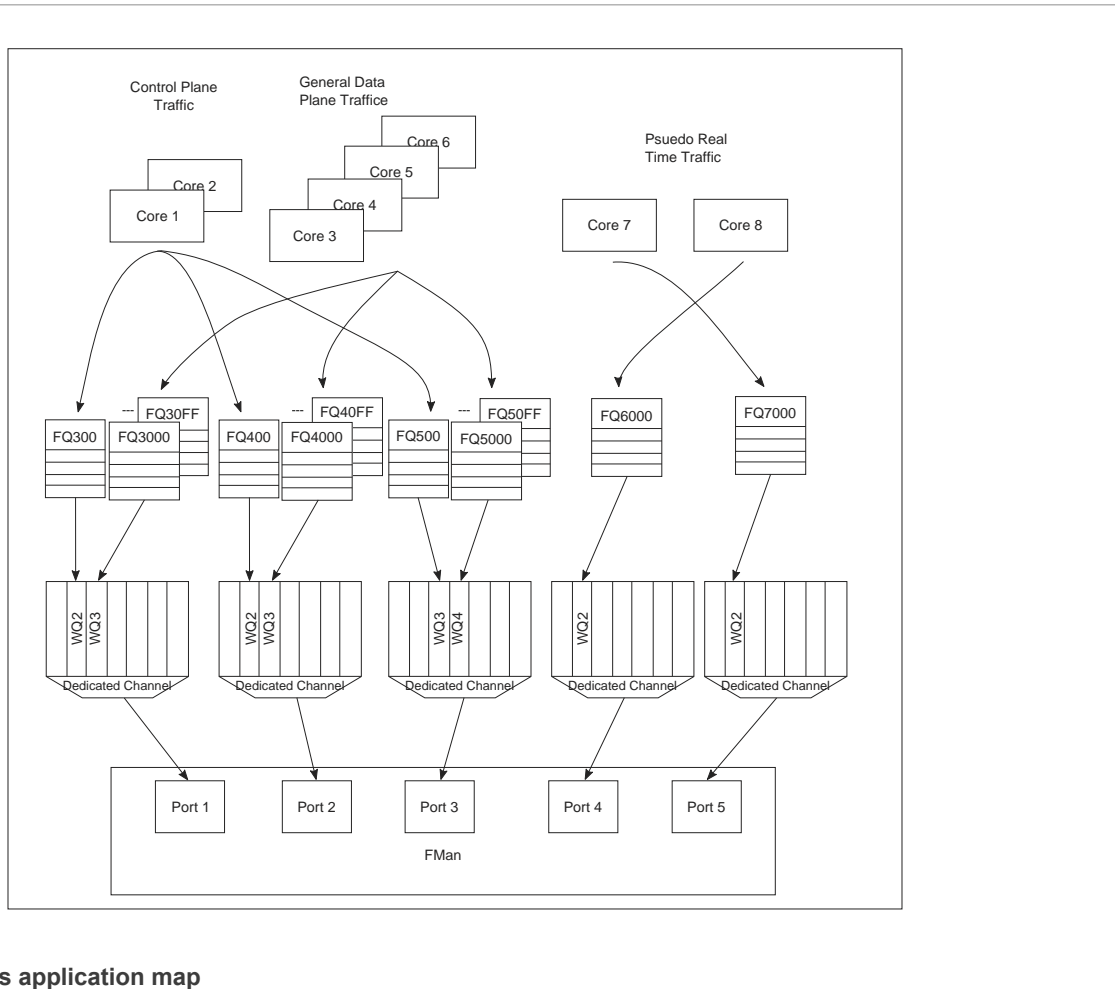


Figure 70. Egress application map

7.2.1.10.2 End of Document

7.2.2 Linux Ethernet

7.2.2.1 Introduction

An overview of the DPAA 1.x Ethernet network driver, in the more generic context of Linux device drivers.

The primary concepts of the DPAA 1.x Ethernet driver architecture are presented in the following sections without going into too many details as code structure. These pages are not a Linux Device Drivers tutorial, but a Quick start guide which provides context for users.

The following sections describe the Linux Ethernet driver running on data path Acceleration Architecture (DPAA 1.x) processors. The driver is shipped with the standard Layerscape SDK. The focus is on the theory and operation behind using Ethernet. It provides a limited discussion of the BMan, QMan, and FMan, describing the layer of software which allows all of these to interoperate. Enablement, configuration and debugging for the DPAA 1.x Ethernet Driver is also described.

Purpose

The DPAA 1.x Ethernet Driver is meant to configure the data path hardware for communication via the Ethernet protocol. This includes assisting in:

- Allocating buffer pools and buffers
- Allocating frame queues
- Assigning frame queues and buffer pools to specified FMan ports
- Transferring packets between frame queues and the Linux stack
- Controlling Link Management features

Overview

Ethernet features are enabled on DPAA 1.x hardware by interconnecting the BMan, QMan, and FMan. The primary interactions are between the Linux Kernel and the QMan. Ethernet frames are exchanged between the Ethernet driver and the hardware Frame Queues via QMan Portals.

Usually, the Frame Queues are connected to an ingress or egress FMan port. Each FMan port has at least two queues assigned to it: a default queue and an error queue. This assignment can be specified in the device tree, or created dynamically by the driver on initialization.

Ethernet frames are often stored in buffers acquired from a BMan Buffer Pool. The driver sets up this pool, and either seeds it with buffers, or maps the buffers which are put into the pool. Depending on the use case, the buffers may be allocated and freed by the Kernel during network activity, or they may be allocated once and recycled by returning to the pool when not in use by the DPAA 1.x hardware.

DPAA 1.x Ethernet Driver types

The complexity of DPAA 1.x allows a variety of possible use cases. Although speed is the key factor for performance in most use cases, customization or community support are preferred in others. Building a single Ethernet driver to address all requests proved difficult without making compromises. Instead, we developed two Ethernet driver variants to approach both performance driver and community driven scenarios:

- The Private DPAA 1.x Ethernet Driver resembles the common Linux Ethernet driver. It is highly improved for performance and uses all the features that DPAA 1.x offers;
- The Upstream DPAA 1.x Ethernet Driver is integrated and maintained in the official Linux kernel tree. While younger, it benefits from streamline ease of use and community support.

Both drivers reside in the Layerscape LDP Linux kernel tree and can be built independently. The drivers cannot be enabled or used at the same time. The Private Ethernet driver is enabled by default in the Layerscape LDP. Refer to the [Upstream Ethernet driver](#) section for details on enabling it instead.

7.2.2.2 The DPAA1-Ethernet view of the world

This section presents the primary concepts behind the DPAA1-Ethernet driver design.

As a Linux driver, one of DPAA1-Ethernet driver's main goals is proper integration with the Linux kernel ecosystem. As a hardware device driver, the DPAA1-Ethernet driver integrates functions of several DPAA1 IP blocks, within the scope of the defined/supported use cases.

7.2.2.2.1 The Linux kernel APIs

The DPAA1-Ethernet drivers interface with the Linux kernel via the latter's networking stack APIs. This is a strong requirement, mandated by the integration with the Linux kernel.

Another type of interaction with the kernel code is at boot time, via the Open-Firmware API. That API is used to parse the Arm platform device tree and discover the hardware modules that need to be configured. In particular, the DPAA1-Ethernet driver uses the platform device tree to discover:

- What net devices to probe and what type of hardware is underlying those devices;
- Which DPAA1 resources are involved; FQIDs, BPIDs, CGRIDs, FMan port IDs.

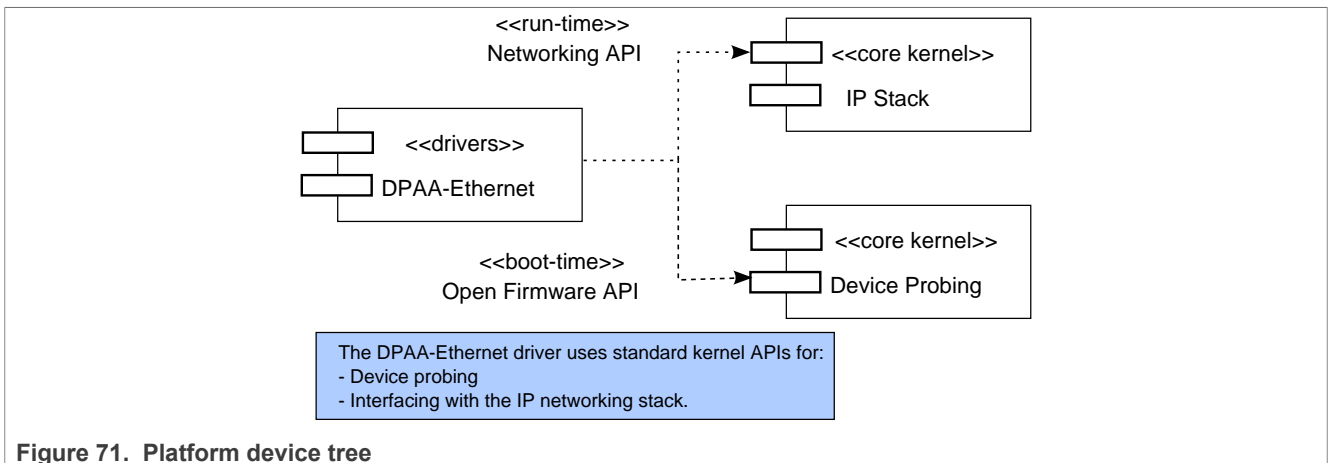


Figure 71. Platform device tree

Generally, we prefer driver configurations to be dynamic and transparent to the rest of the system. Among the benefits of dynamic resource allocations, we count:

- Portability of the drivers across multiple QorIQ platforms
- Seamless support of platform changes (For example, via booting with different RCWs)
- Seamless support of multiple partitions under the control of a hypervisor
- Cohabitation with other DPAA1 drivers (For example, a SEC driver) in the Layerscape SDK

7.2.2.2.2 The Driver's building blocks

This section presents the main structures and data entities with which the DPAA1-Ethernet driver operates.

The driver's building blocks are the relating components of the main entities with which it interacts, which are:

- The kernel's IP stack
- The DPAA1 hardware blocks and their drivers

7.2.2.2.1 Net Devices

A net device (`struct net_device` in C representation) is the fundamental structure of any Linux network device driver.

A net device describes a (physical or virtual) device capable of sending and receiving packets over a (virtual or physical) network. All incoming and outgoing traffic is accounted and processed on behalf of the net device it comes or goes on.

Each supported type of net device has its own kernel driver. If there are several such devices present in a system, there will be as many device driver instances.

A net device is accessible to the Linux user via the standard tools, such as 'ifconfig' or 'ethtool'.

Not all net devices have real underlying hardware; tunnel endpoints, for examples, are represented by net devices but are not directly backed by hardware. Same holds for drivers such as "bonding" or "dummy".

It is worth emphasizing, however, that **every** Linux interface is represented by a net device. This is a fundamental design aspect of all Linux networking drivers, including DPAA1-Ethernet. One can describe the Linux IP stack as being a **netdev-centric** construction. Nearly all of the kernel networking APIs receive a `struct net_device` as a parameter. The `net_device` structure is the handle through which the driver and the network stack communicate.

The following diagram illustrates what has just been described:

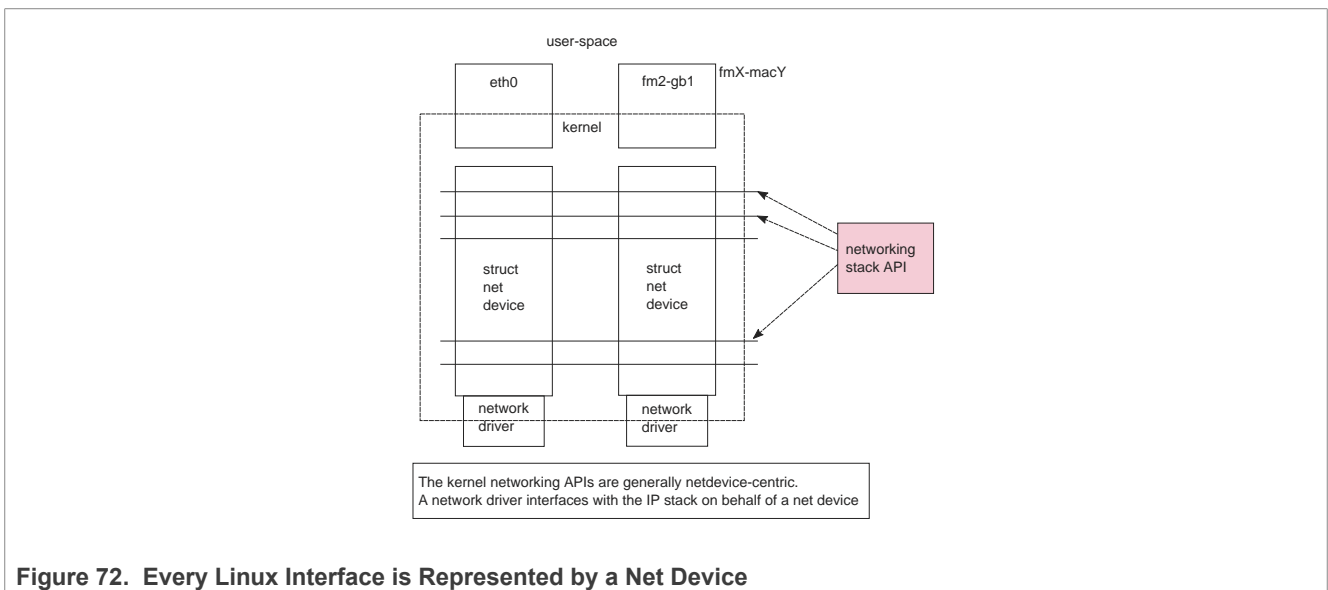


Figure 72. Every Linux Interface is Represented by a Net Device

7.2.2.2.2 Frame Queues

The Frame Queue is one of the fundamental concepts of DPAA1. In the case of DPAA1-Ethernet, it is the main interface between the network driver and the hardware blocks.

Ingress frames received by the DPAA1-Ethernet driver on one of the Frame Queues it is servicing are sent to the IP stack on behalf of the net device structure that the driver is associated with. Conversely, outgoing frames coming from the IP stack into the driver are enqueued to one of the egress Frame Queues.

7.2.2.2.3 Buffer Pools

Buffer pool configuration is another fundamental part of the DPAA1-Ethernet driver design.

Unlike the Frame Queue utilization – which is more flexible – the Buffer Pool utilization is conditioned by several design assumptions:

- The source and ownership of the ingress frame buffers are presumed by the DPAA1-Ethernet driver. For instance, the driver seeds the Buffer Pools at predefined checkpoints on the Rx path. There are also buffer utilization counters maintained by the driver, which influence the buffer allocation logic.
- The layout of incoming frames is also presumed by the driver. The actual buffer layout is outside the scope of this document and should not be assumed upon by driver users.

7.2.2.3 DPAA1 resources initialization

The rationale behind the “what”s, “why”s and “how”s of DPAA1 resource initializations made by the DPAA1-Ethernet driver are presented. This description does not go into the full detail of driver configuration.

7.2.2.3.1 What, Why and How resources are initialized

Following are the DPAA1 resources initialized by the various configurations of the DPAA1-Ethernet driver.

- FQs and FQIDs (where static config applies)
- BPs and BPIDs (where static config applies)
- Buffers (not quite “DPAA1” resources, rather “system” resources)
- CGRs (CGRIDs are always dynamic)
- FMan’s online ports (Note that the offline ports are configured by a different driver than DPAA1-Ethernet)

Frame Queues and Buffer Pools have been covered at length in the previous sections. CGRs are of lesser interest from the initialization viewpoint.

FMan online ports are initially probed by the FMan Driver (FMD) and later in the boot process, they are configured by the DPAA1-Ethernet driver instances according to the specifications in the `.dts`.

7.2.2.3.2 Private Ethernet driver: Hashing/PCD frame queues

Among the frame queues initialized by the DPAA1-Ethernet driver, there is a predefined set of 128 core-affined Rx FQs, automatically initialized by the driver. They are there because most performance-enhanced setups must use a PCD configuration; to that end, the standard Layerscape SDK provides a “hashing PCDs” configuration that can be applied by the user via the FMC tool. Since FMC does not support dynamic FQID specification in its `.xml` configuration files, the “hashing PCD” Frame Queues also have static, hard-coded FQIDs.

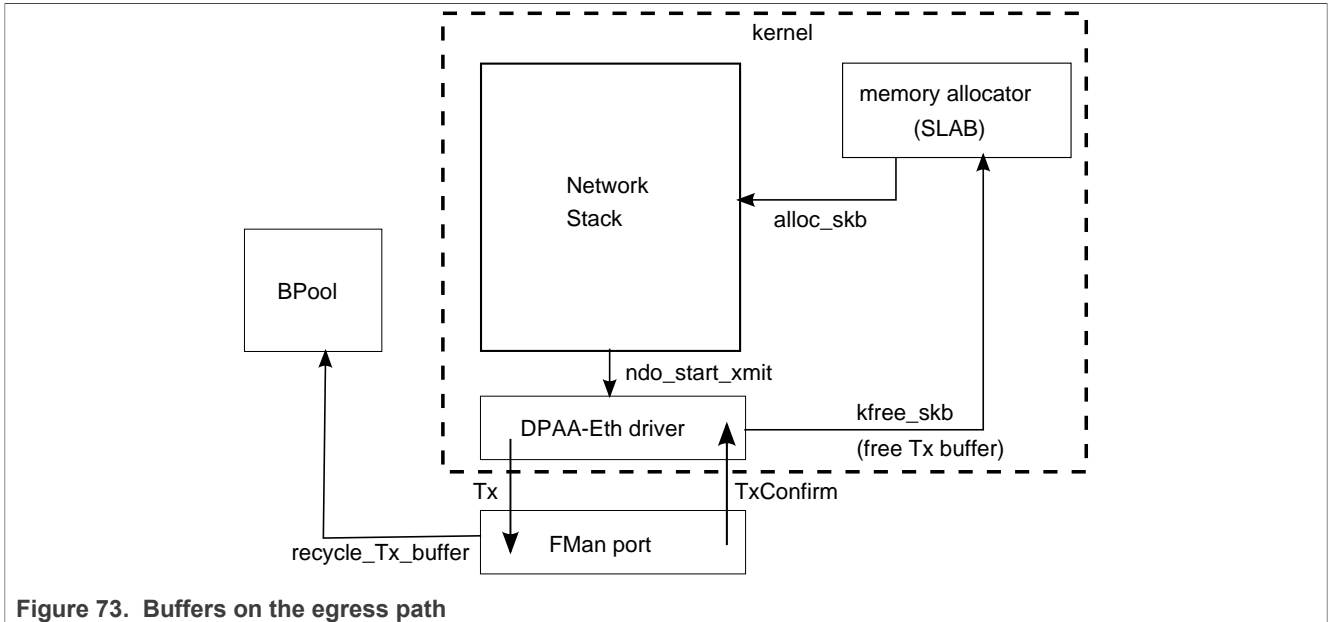
Furthermore, apart from the core-affined Rx FQs, there is another set of 128 core-affined Rx FQs, which have a higher priority than the former. They are named throughout this documentation “Rx PCD High Priority Frame Queues”. Likewise, the queues in this set are also core-affined and have static, hard-coded FQIDs.

For details about the “hashing PCD” Frame Queues and the Rx PCD High Priority Frame Queues, refer to the [Section 7.2.2.5.3.8](#) section.

7.2.2.4 The (Simplified) Life of a packet

The following sections present a packet’s lifecycle in the DPAA1-Ethernet driver.

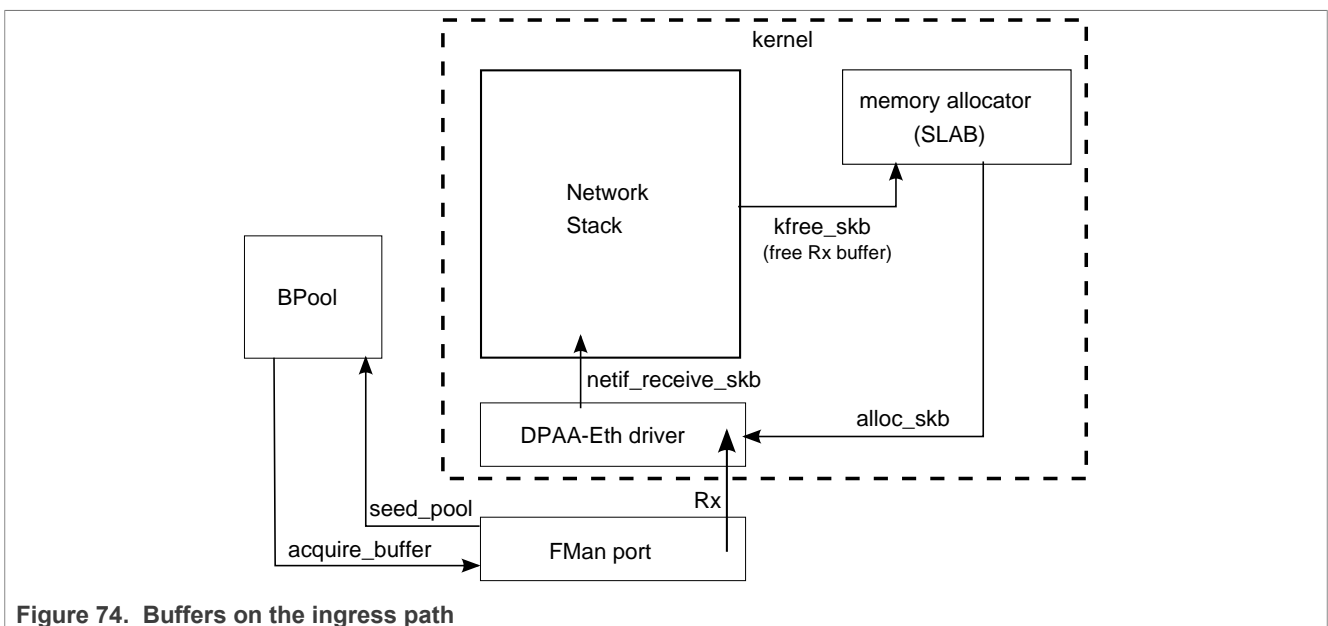
7.2.2.4.1 Private net device: Tx



Arrows in the above diagram represent the direction of the buffer/packet flow.

A packet on the egress path is allocated by the network stack using the kernel’s standard memory allocator. The DPAA1-Ethernet driver enqueues the packet to the FMan port with an indication to recycle the buffer if possible. If recycling is not possible, the DPAA1-Ethernet driver itself frees the buffer memory back to the kernel’s allocator, when Tx delivery is confirmed by FMan.

7.2.2.4.2 Private net device: Rx

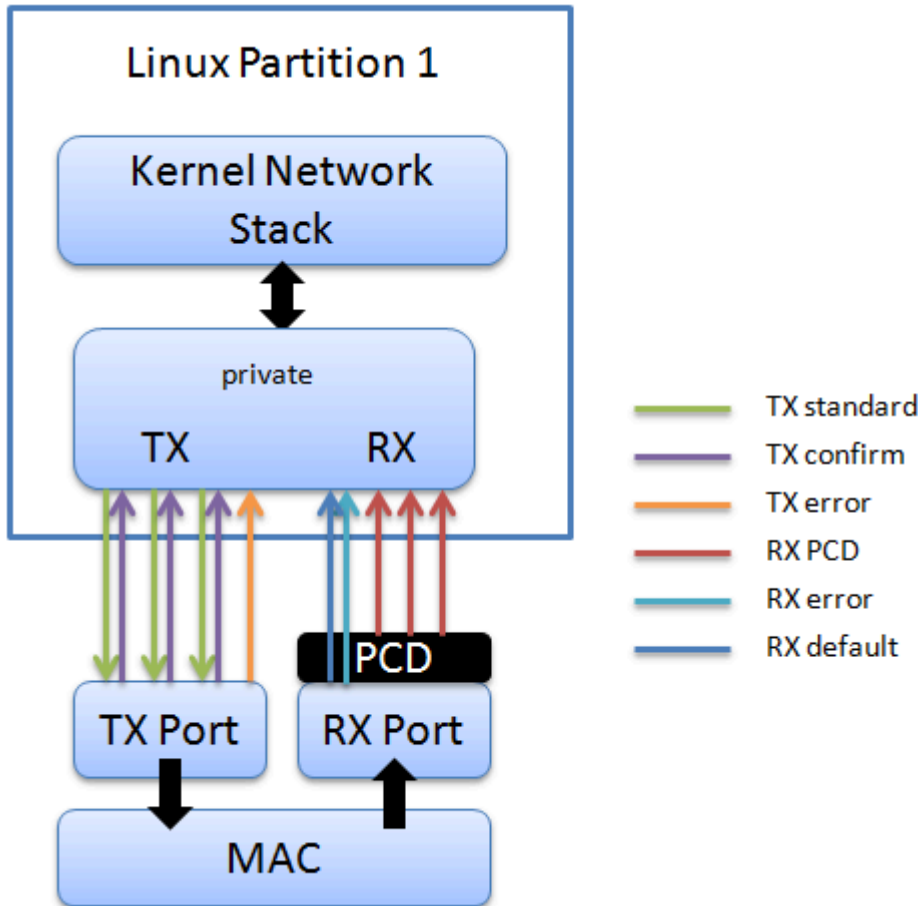


Buffers on the ingress path are acquired by FMan directly from a Buffer Pool which was seeded by the DPAA1-Ethernet driver. Buffer layout is important to the driver, which assumes ownership on the BP. Arrows in the above diagram represent the direction of the buffer/packet flow.

7.2.2.5 Private Ethernet Driver

The Private DPAA 1.x Ethernet driver manages the network interfaces which are fully owned by the Linux partition who runs them. Therefore, it is possible to take advantage of the DPAA 1.x facilities in order to increase the performance in both termination and forwarding scenarios.

The Private DPAA 1.x Ethernet driver will be further referenced as the Private driver.

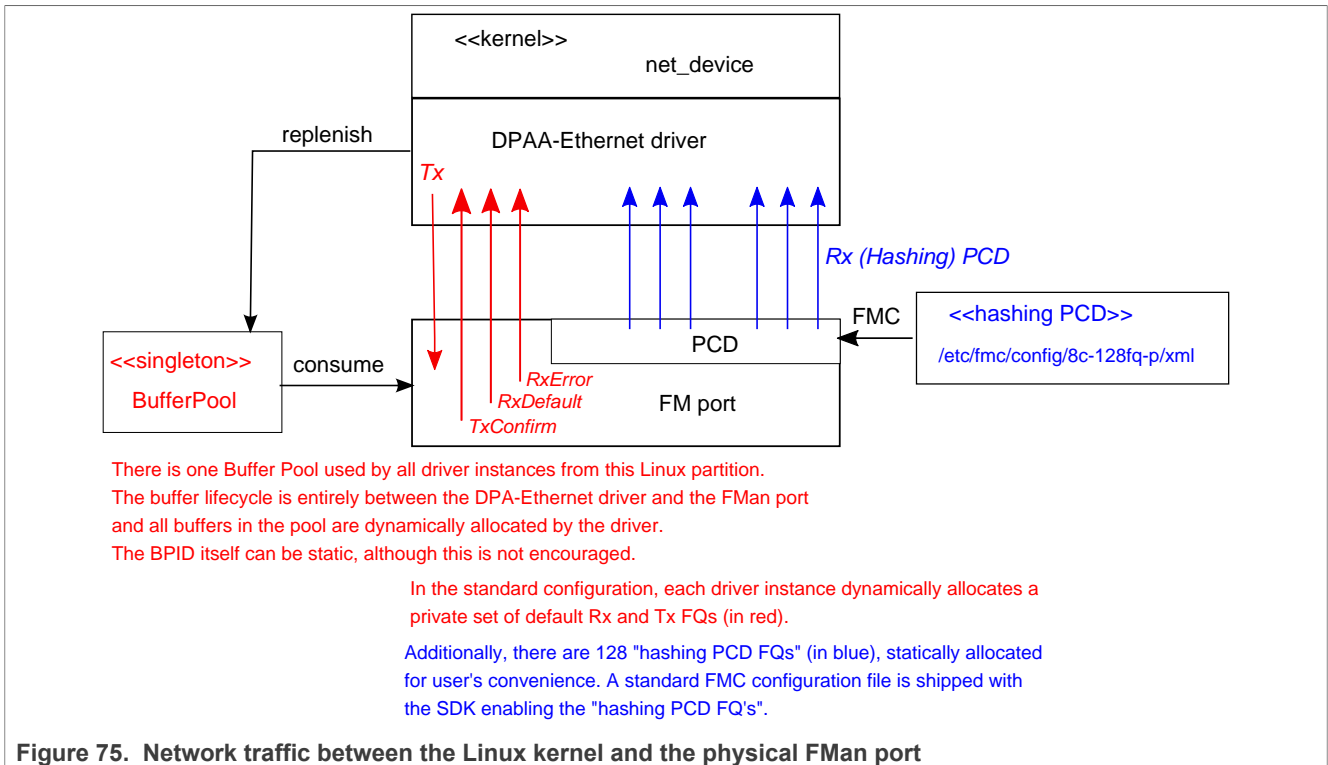


7.2.2.5.1 Network driver

The main characteristics of the private driver are:

- The private driver is a multiqueue driver - it uses 1 TX queue per CPU
- All private interfaces use a single BPID - usually dynamically allocated
- The FQIDs for the common types of queues - RX, TX, RX Error, TX Error, TX Confirm - are dynamically allocated
- The Hashing/PCD frame queues are hardcoded in the device tree. The private driver imports the PCD frame queue configuration from the device tree at startup
- The above resources are allocated and visible only to the private driver

All network traffic takes place between the Linux kernel and the physical FMan port private to that partition.



7.2.2.5.2 Configuration

This section presents the configuration options for the Private DPAA1 Ethernet driver.

7.2.2.5.2.1 Device tree configuration

The compatible string used to define a private interface in device tree is "fsl,dpa-ethernet". The default structure for the device tree node that specifies a private interface should be similar to the below snippet of a LS1043ARDB device tree node:

```

ethernet@0 {
    compatible = "fsl,dpa-ethernet";
    fsl,fman-mac = <&enet0>;
};
    
```

"fsl,fman-mac" is the reference to the MAC device connected to this interface. This property is used to determine which RX and TX ports are connected to this interface.

Buffer pools

A single buffer pool is currently defined and used by all the private interfaces. The buffer pool ID is dynamically allocated and provided by the buffer manager. The number and size of the buffers in the pool are decided internally by the private driver therefore no device tree configuration is accepted.

Frame queues

The frame queues are allocated by the private driver with IDs dynamically allocated and provided by the queue manager. The frame queues can also be statically defined using two additional device tree properties.

```

ethernet@0 {
    
```

```
compatible = "fsl,dpa-ethernet";
fsl,fman-mac = <&enet0>;
fsl,qman-frame-queues-rx = <0x100 1 0x101 1 0x180 128>;
fsl,qman-frame-queues-tx = <0x200 1 0x201 1 0x300 8>;
};
```

Within the example above, a value of 0x100 was assigned to the RX error frame queue ID and 0x101 to the RX default frame queue ID. In addition, 128 PCD frame queues ranging between 0x180-0x1ff are defined and assigned to the core-affined portals in a round-robin fashion.

There is exactly one RX error and one RX default queue, therefore a value of "1" for the frame count. Optionally, one can specify a value of "0" for the base to instruct the driver to dynamically allocate the frame queue IDs.

Within the example above, a value of 0x200 was assigned to the TX error queue ID and 0x201 to the TX confirmation queue ID. The third entry specifies the queues used for transmission.

If the qman-frame-queues-rx and qman-frame-queues-tx are not present in the device tree, the number of dynamically allocated TX queues is equal to the number of cores available in the partition.

7.2.2.5.2.2 Kconfig options

The private driver has a number of parameters which can be tuned at compile time from menuconfig. These can be found in:

```
Device Drivers
+- Network device support
  +- Ethernet driver support
    +- Freescale devices
      +- DPAA Ethernet [CONFIG_FSL_SDK_DPAA_ETH]
```

FSL_DPAA_ETH_JUMBO_FRAME - "Optimize for jumbo frames"

Optimizes the DPAA1 Ethernet driver throughput for large frames termination traffic (For example, 4K and above).

Using this option in combination with small frames increases significantly the driver's memory footprint and may even deplete the system memory. Also, the skb truesize is altered and messages from the stack that warn against this are bypassed.

FSL_DPAA_1588 - "IEEE 1588-compliant timestamping"

Enables IEEE1588 support code.

Note: The generic *Freescale QorIQ 1588 timer as PTP clock kernel driver* is the recommended method to configure the 1588 timer. This driver is enabled by default by the *PTP_1588_CLOCK_QORIQ* kernel config. The *FSL_DPAA_1588* and *FSL_SDK_FMAN_RTC_API* drivers are present for maintaining backwards compatibility.

FSL_DPAA_TS - "Linux compliant timestamping"

Enables Linux API compliant timestamping support.

FSL_DPAA_CEETM - "DPAA1 CEETM QoS"

Enables QoS offloading support through the CEETM hardware block.

FSL_DPAA_CEETM_CCS_THRESHOLD_1G - "CEETM egress congestion threshold on 1G ports"

The size in bytes of the CEETM egress Class Congestion State threshold on 1G ports. The threshold needs to be configured keeping in mind the following factors:

- A threshold too large will buffer frames for a long time in the TX queues, when a small shaping rate is configured. This will cause buffer pool depletion or out of memory errors. This in turn will cause frame loss on RX.
- A threshold too small will cause unnecessary frame loss by entering congestion too often.

FSL_DPAA_CEETM_CCS_THRESHOLD_10G - "CEETM egress congestion threshold on 10G ports"

The size in bytes of the CEETM egress Class Congestion State threshold on 10G ports.

FSL_DPAA_ETH_USE_NDO_SELECT_QUEUE - "Use driver's Tx queue selection mechanism"

The DPAA1-Ethernet driver defines a `ndo_select_queue()` callback for optimal selection of the egress FQ. That will override the XPS support for this netdevice. If you want to be in control of the egress FQ-to-CPU selection and mapping, or do not want to use the driver's `ndo_select_queue()` callback, then unselect this and use the standard XPS support instead.

FSL_DPAA_ETH_MAX_BUF_COUNT - "Maximum number of buffers in private bpool"

Defaults to 128. The maximum number of buffers to be by default allocated in the DPAA1-Ethernet private port's buffer pool. One need not normally modify this, as it has probably been tuned for performance already. This cannot be lower than `DPAA_ETH_REFILL_THRESHOLD`.

FSL_DPAA_ETH_REFILL_THRESHOLD - "Private bpool refill threshold"

Defaults to 128. The maximum number of buffers to be by default allocated in the DPAA1-Ethernet private port's buffer pool. One need not normally modify this, as it has probably been tuned for performance already. This cannot be lower than `DPAA_ETH_REFILL_THRESHOLD`.

FSL_DPAA_CS_THRESHOLD_1G - "Egress congestion threshold on 1G ports"

The size in bytes of the egress Congestion State notification threshold on 1G ports. Ranges from 0x1000 to 0x10000000. Defaults to 0x06000000. This option can help when:

- The device stays congested for a prolonged time (risking the netdev watchdog to fire - see also the `tx_timeout` module param)
- Preventing the Tx cores from tightly-looping (as if the congestion threshold was too low to be effective)

This might also imply some risks:

- Affecting performance of protocols such as TCP, which otherwise behave well under the congestion notification mechanism
- Running out of memory if the CS threshold is set too high

FSL_DPAA_CS_THRESHOLD_10G - "Egress congestion threshold on 10G ports"

The size in bytes of the egress Congestion State notification threshold on 10G ports. Ranges from 0x1000 to 0x20000000. Defaults to 0x10000000.

FSL_DPAA_INGRESS_CS_THRESHOLD - "Ingress congestion threshold on FMan ports"

The size in bytes of the ingress tail-drop threshold on FMan ports. Defaults to 0x10000000. Traffic piling up above this value will be rejected by QMan and discarded by FMan.

FSL_DPAA_ETH_DEBUG - "DPAA1 Ethernet debug support"

This option compiles debug code for the DPAA1 Ethernet driver.

7.2.2.5.2.3 Bootargs

The following bootarg parameters are defined for the Frame Manager driver. However, they also influence the behavior of the Private driver:

- `fsl_fm_max_frm`

- `fsl_fm_rx_extra_headroom`

`fsl_fm_max_frm`

The Frame Manager discards both Rx and Tx frames that are larger than a specific Layer2 MAXFRM value. The DPAA1 Ethernet driver won't allow one to set an interface's MTU too high such that it would produce Ethernet frames larger than MAXFRM. The maximum value one can use as the MTU for any interface is (MAXFRM - 22) bytes, where 22 is the size of an Eth+VLAN header (18 bytes), plus the Layer2 FCS (4 bytes).

Currently, the value of MAXFRM is set at boot time and cannot be changed without rebooting the system.

The default MAXFRM is 1522, allowing for MTUs up to 1500. If a larger MTU is desired, one would have to reboot and reconfigure the system as described next. The maximum MAXFRM is 9600.

The MAXFRM can be set in the following two ways.

- As a Kconfig option (`CONFIG_FSL_FM_MAX_FRAME_SIZE`):

```
Device Drivers
+--> Network device support
    +--> Ethernet driver support
        +--> Freescale devices
            +--> Frame Manager support
                +--> Freescale Frame Manager (datapath) support
                    +--> Maximum L2 frame size
```

- As a bootarg: In the U-Boot environment, add "`fsl_fm_max_frm=<your_MAXFRM>`" directly to the "bootargs" variable.

Note that any value set directly in the kernel bootargs overrides the Kconfig default. If not explicitly set in the bootargs, the Kconfig value is used.

Symptoms of misconfigured MAXFRM

MAXFRM directly influences the partitioning of FMan's internal MURAM among the available Ethernet ports, because it determines the value of an FMan internal parameter called FIFO Size. Depending on the value of MAXFRM and the number of ports being probed, some of these may not be probed because there is not enough MURAM for all of them. In such cases, you see an error message in the boot console.

`fsl_fm_rx_extra_headroom`

Configure this to communicate the Frame Manager to reserve some extra space at the beginning of a data buffer on the receive path, before Internal Context fields are copied. This is in addition to the private data area already reserved for driver internal use. The option does not affect in any way the layout of transmitted buffers. The default value (64 bytes) offers best performance for the case when forwarded frames are being encapsulated (For example, IPSec).

The RX extra headroom can be set in the following two ways.

- As a Kconfig option (`CONFIG_FSL_FM_RX_EXTRA_HEADROOM`):

```
Device Drivers
+--> Network device support
    +--> Ethernet driver support
        +--> Freescale devices
            +--> Frame Manager support
                +--> Freescale Frame Manager (datapath) support
                    +--> Add extra headroom at beginning of data buffers
```

- As a bootarg: in the U-Boot environment, add "`fsl_fm_rx_extra_headroom=< your_rx_extra_headroom>`" directly to the "bootargs" variable.

7.2.2.5.2.4 ethtool options

The private driver implements the following ethtool operations.

```
-a --show-pause
  Queries the specified Ethernet device for pause parameter information.
-A --pause
  Changes the pause parameters of the specified private devices.
  rx on|off
    Specifies whether RX pause should be enabled.
  tx on|off
    Specifies whether TX pause should be enabled.
-k --show-features
  Lists the offloadable DPAA driver features. Specifies which features can be
  changed.
-K --features
  Changes a driver feature.
  feature on|off
    Specifies whether a certain feature should be enabled.
-s --change
  msglvl N
  msglvl type on|off ...
  Sets the driver message type flags by name or number. type names the type of
  message to enable or disable; N specifies the new flags numerically.
-S --statistics
  Shows driver statistics and counters: interrupt counter, packet counters,
  error counters, congestion state, and more.
--show-eee
  Shows the Energy-Efficient Ethernet configurations.
--set-eee
  Configures the EEE behavior.
```

7.2.2.5.3 Features

This section presents the private DPAA1 Ethernet driver features.

7.2.2.5.3.1 Congestion management

QMan offers the following three methods of managing congestion.

- WRED
- Congestion State Tail Drop (CSTD)
- FQ Tail Drop (FQTD)

The Private driver implements CSTD both on TX and RX. When the number of bytes residing in a TX FQ congestion group reaches a congestion threshold (high watermark), the QMan rejects any further incoming frames, until the sum of all the frames contained in the congestion groups drops under a low watermark, which is 7/8 of the high watermark. The high watermark can be configured from menuconfig. For more details, see [Section 7.2.2.5.2.2](#).

7.2.2.5.3.2 Scatter/Gather support

On the Rx path, the first S/G entry is used to build the skb linear part and the other entries are used as fragments.

The Private driver can access the egress skbufs allocated in high memory (For example, mapped directly from user-space, as is the case of the `sendfile()` system call). This eliminates the kernel need to copy such skbufs into newly-allocated low memory buffers, allowing zero-copy on the egress path.

7.2.2.5.3.3 Jumbo frames support

Termination traffic with large frames performs better if only linear skbs (and single buffer frames) are used. The driver has the option to allocate Rx buffers large enough to accommodate the entire frame (of max 9.6K).

This option needs to be used with caution, as the memory footprint can be a real problem when small frames are used.

The option can be enabled from the menuconfig option:

```
Device Drivers
  +-> Network device support
    +-> Ethernet driver support
      +-> Freescale devices
        +-> DPAA Ethernet [CONFIG_FSL_SDK_DPAA_ETH]
          +-> Optimize for jumbo frames
```

In addition to enabling this feature from menuconfig, the user is required to set the L2 maximum frame size to 9600, otherwise the configuration is not valid. This can be achieved by either setting `fsl_fm_max_frm=9600` in the bootargs, or configuring `CONFIG_FSL_FM_MAX_FRAME_SIZE` from menuconfig. For more details on bootargs, see [Section 7.2.2.5.2.3](#).

7.2.2.5.3.4 GRO/GSO Support

Generic Receive Offload (GRO) is tied to NAPI support and works by keeping a list of GRO flows per each NAPI instance. These flows can then "merge" incoming packets, until some termination condition is met or the current NAPI cycle ends, at which point the flows are flushed up the protocol stack. Flows merging several packets share the protocol headers and coalesce the payload (without memcopying it). This results in a CPU load decrease and/or network throughput increase. Packets which don't match any of the stored flows (in the current NAPI cycle) are sent up the stack via the normal, non-GRO path.

GRO is commonly supported in hardware as a set of "GRO assists", rather than full packet coalescing. The following features count as GRO assists:

- RX hardware checksum validation
- Receive Traffic Distribution (RTD)
- Multiple RX/TX queues
- Receive Traffic Hashing
- Header prefetching
- Header separation
- Core affinity
- Interrupt affinity

Note: With the exception of header separation, the DPAA1 platforms feature all other hardware assists. Most notably, they are implicitly achieved through the mechanisms that accompany PCDs.

Generic Segmentation Offload (GSO) is also a well-established feature in the Linux kernel. Normally, a TCP segment is composed in the Layer 4 of the Linux stack, based on the current MSS (Maximum Segment Size) connection setting. It has been observed, though, that delaying segmentation is a better approach in terms

of CPU load, because fewer headers are processed. Linux has taken an optimization approach, called GSO, whereby the L4 segments are only composed just before they are handed over to the L2 driver.

GRO and GSO support are available by default in the Private driver and can be independently switched on and off at runtime, via `ethtool -k`.

Note: Older versions of `ethtool` do not support this. `Ethtool` version 3.0 does - and possibly others before it, too.

Generic optimizations that enhance the driver's performance in the general case also apply to the GRO/GSO-enabled driver. PCD support is therefore recommended in this regard. We have found that these optimizations yield the best results on 10 Gbit/s traffic, and to a lesser extent (if any) on 1 Gbit/s traffic. TCP tests, especially, can benefit from GRO by shedding CPU load and upping the network throughput. The improvements are the more visible with smaller network MTU - with MTU=1500 and below, the benefits are higher, while starting from MTU=4k they are no longer observable.

One optimization that boosts GSO performance is the zero-copy egress path. That is available thanks to the `sendfile()` system call, which may be used instead of the plain `send()` syscall, and which certain benchmark applications know about. `Netperf` for instance has `sendfile` support in its `TCP_SENDFILE` tests.

GRO and GSO are no panacea, one-button-fix-all kind of optimization. While under most circumstances they should be transparent (this being why GRO is by default enabled in the Linux kernel), there are scenarios and configurations where they may in fact under-perform. Traffic on 1 Gbit/s ports sees little benefit from GRO/GSO. Also, if the Private Driver detects that PCDs are not in place, GRO is automatically by-passed.

7.2.2.5.3.5 Transmit packet steering

The Private driver exposes to the Linux networking stack a TX-multiqueue interface. This provides the stack with better control of the transmission queues and reduces the need for locking. The user may also control the mapping of egress FQs to the CPUs via a standard Linux feature called Transmit Packet Steering (XPS) and documented here: <http://lwn.net/Articles/412062/>

Note: *The kernel transmission queues are different entities than the Private driver Frame Queues.*

The Private driver, however, matches the two realms by mapping the DPAA1 FQs onto kernel's own queue structures. To that end, the Private driver provides a standard callback (net-device operation, or NDO) called `ndo_select_queue()`, which the stack can interrogate to find out the specific queue mapping it needs for transmitting a frame. The existence of that NDO (which is otherwise optional) overrides the kernel queue selection via XPS. This is why the Private driver provides a compile-time choice to disable the `ndo_select_queue()` callback, leaving it to the stack to choose a transmission queue.

To use the Private driver's builtin `ndo_select_queue()` callback, select the Kconfig option **FSL_DPAA_ETH_USE_NDO_SELECT_QUEUE**.

To disable the Private driver's queue selection mechanism and use XPS instead, unselect this Kconfig option. Further on, the users can configure their own txq-to-cpu mapping, as described in the LWN article above.

7.2.2.5.3.6 TX and RX Hardware Checksum

Introduction

The FMan block supports calculation of the L3 and/or L4 checksum for certain standard protocols.

This can be used, on the TX path, for calculating the checksum of the outgoing frame, and on the RX path, for validating the L3/L4 checksum of the incoming frame and making classification, or distribution decisions.

TX Checksum Support

On TX, the checksum computation is enabled on a per-frame basis by the Private driver. The TX checksum support for standard protocols is as follows:

Table 52. TX checksum support

Header	IPv4	IPv6	Other
IP header	yes	not available	no
TCP header	yes	yes	no
UDP header	yes	yes	no

Note: IP Header checksum capability also exists in SEC block (see IPSEC).

Note: Ethernet CRC is calculated on a per frame basis during frame transmission.

Note: The main precondition for TX checksum to be enabled in hardware is that IP tunneling must not be present (that is, not GRE, not MinEnc, not IPIP). Other conditions pertain to the validity and integrity of the frame.

RX Checksum Support

This feature is disabled by default. In order to enable RX checksum computation for supported protocols, a PCD scheme must be applied to the respective RX port. In the current release, L3 and L4 are both enabled if a PCD is applied.

If enabled, L3 and L4 checksum validation is performed for TCP, UDP and IPv4.

Note: Controlling this feature via `ethtool` is not yet supported.

7.2.2.5.3.7 Priority Flow Control

The DPAA1 Ethernet Driver offers experimental support for IEEE standards 802.1Qbb (Priority Flow Control) and 802.1p.

These standards aim to implement lossless Ethernet, in which the highest-priority classes of traffic benefit from maximum bandwidth and minimum delay. Up to 8 classes of service can be used, but only a minimum of 3 is required.

The terms “Class of Service (CoS)” and “priority” will be used interchangeably in this section.

Enabling PFC Support

To enable PFC support, enable the following options from `menuconfig`

```
Device Drivers
+ Network device support
  + Ethernet driver support
    + Freescale devices
      + Frame Manager support
        + Freescale Frame Manager (datapath) support
          + FMan PFC support (EXPERIMENTAL)
            + (3)      Number of PFC Classes of Service
            + (65535) The pause quanta for PFC CoS 0
            + (65535) The pause quanta for PFC CoS 1
            + (65535) The pause quanta for PFC CoS 2
```

The number of Classes of Service can range between 1 and 4. It defines the number of Work Queues used and the number of priorities that are set when a PFC frame is issued. 3 is the default value. Changing this value also changes the number of WQs and priorities.

The pause time can be adjusted for each CoS individually.

Enabling and disabling CoS and their pause time is unavailable at runtime. It is only possible at compile time in this release.

Selecting the Class of Service

When PFC support is enabled, the egress traffic flowing on a DPAA1 Private interface is distributed on the first 3 Work Queues of a TX port, namely WQ0, WQ1 and WQ2.

These function in strict priority. WQ0 has the highest priority and WQ2 the lowest priority. FMan cannot dequeue frames from WQ1 unless WQ0 is empty and from WQ2 unless WQ1 and WQ0 are empty.

The work queue a frame will be enqueued on is determined from the socket buffer priority. `skb_prio` is just an internal tag that the kernel applies to the frames on the egress path and is not visible to the receiver.

<code>skb_prio</code>	CoS
0	0
1	1
≥ 2	2

The default `skb_prio` is 0, which means all frames will be distributed to WQ0. `skb_prio` can be modified using a number of methods, including traffic control.

To edit a socket buffer’s priority using `tc`, one needs to enable the following options from `menuconfig`.

```
Networking support
+ Networking options
  + QoS and/or fair queueing
    + Multi Band Priority Queueing (PRIO)
    + Elementary classification (BASIC)
    + Universal 32bit comparisons w/ hashing (U32)
    + Extended Matches
      + U32 key
    + Actions
      + SKB Editing
```

The following commands assign a `skb_prio` of 1 to traffic destined to TCP and UDP port 5000 and implicitly direct it on WQ1.

```
tc qdisc del dev fml-mac9.0 root
tc qdisc add dev fml-mac9.0 root handle 1: prio
tc filter add dev fml-mac9.0 parent 1: protocol ip u32 match ip dport 5000
  action skbedit priority 1
```

VLAN tagging

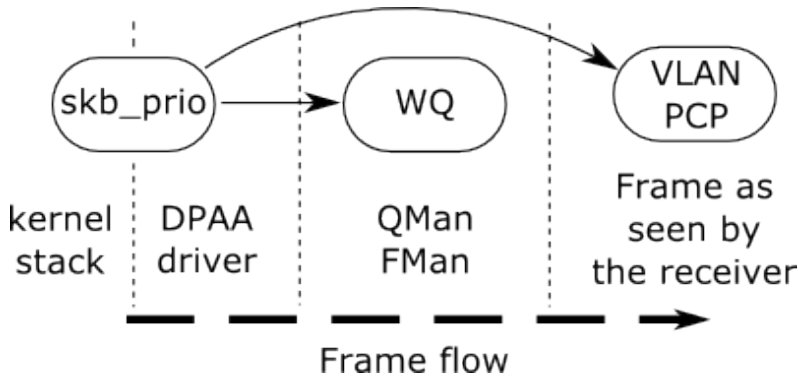
In order to be classified by the receiver according to 802.1p the egress traffic must be VLAN tagged, with the Class of Service contained in the PCP field. The PCP priority is also determined from `skb_prio`.

```
# create a subinterface of fml-mac9, with VLAN ID 0
vconfig add fml-mac9 0
```

```
# all frames tagged with skb_prio 1, will have PCP priority of 1.
vconfig set_egress_map fml-mac9.0 1 1
```

If no mapping is specified, the PCP field will be set to 0 by default.

The dependence between `skb_prio`, work queues and VLAN PCP priority:



Receiving PFC Frames

Unlike ordinary 802.3x PAUSE frames, PFC frames can selectively pause a certain priority/CoS.

WQ0 responds to PFC frames that have priority 0 set. Example: When a PFC frame arrives containing priority 0 and having a 100 pause time for priority 0, WQ0 that is all traffic from CoS 0 is ignored for dequeuing for 100-bit times, and dequeuing is done from WQ1 and WQ2.

Generating PFC frames

All DPAA1 Private interfaces share a single buffer pool which accounts for the buffers in which the frames are stored upon receiving.

When the Buffer Pool reaches the refill/depletion threshold, PFC frames are sent back to the sender in order to pause frames transmission and therefore avoid frame loss.

FMan sends PFC frames that pause all Classes of Traffic defined. The only difference between the classes is the pause time.

The pause time can be configured from menuconfig. A pause time of 0 disables that Class of Service.

When the common buffer pool depletes, issued PFC frames look like this.

Class-Enable Vector							
1	1	1	0	0	0	0	0
Pause Quanta Class 0							
Pause Quanta Class 1							
Pause Quanta Class 2							
0							
0							
...							

Enabling and disabling PFC using ethtool

Display PFC settings in use for an interface:

```
ethtool -a intf_name
```

Triggering PFC frames ON/OFF

PFC frames can be enabled/disabled on RX/Tx using ethtool -A, like in the following examples:

```
ethtool -A intf_name rx on
ethtool -A intf_name tx off
ethtool -A intf_name rx off tx off
```

Autonegotiation

When autonegotiation is enabled and the user enables/disables PFC frames on RX/Tx, these will not automatically be triggered on/off. Instead, the local and the peer PFC symmetric/asymmetric capabilities will be considered. If the peer does not match the local capabilities, the following commands may have no effect:

```
ethtool -A intf_name rx on
ethtool -A intf_name rx off
ethtool -A intf_name tx on
ethtool -A intf_name tx ff
```

When autonegotiation is disabled, ethtool settings override the results of link negotiation.

PFC frame autonegotiation can also be enabled/disabled using ethtool -A:

```
ethtool -A intf_name autoneg on
ethtool -A intf_name autoneg off
```

7.2.2.5.3.8 Core Affined Queues

The driver automatically creates 128 core-affined queues, intended to be used as RX PCD frame queues. These frame queues can be used in PCD configuration files to process certain types of frames on particular CPUs. In order to enhance the PCD files creation, the /etc/fmc/config/ directory from rootfs contains the default configuration and policy files for each platform.

The driver calculates the frame queue IDs based on the address of the MAC registers corresponding to the port using the following formula:

$$((\text{MAC register address}) \& 0x1ffff) \gg 6$$

Following are the values for various QorIQ DPAA1 platforms:

Table 53. FMan devices core affined queues

Interface	FQID base	LS1043A	LS1046A
fm1-mac1	0x3800	Y	
fm1-mac2	0x3880	Y	
fm1-mac3	0x3900	Y	Y

Table 53. FMan devices core affined queues...continued

Interface	FQID base	LS1043A	LS1046A
fm1-mac4	0x3980	Y	Y
fm1-mac5	0x3a00	Y	Y
fm1-mac6	0x3a80	Y	Y
fm1-mac9	0x3c00	Y	Y
fm1-mac10	0x3c80		Y

These queues are assigned to cores in a round-robin fashion. For instance, if there are 8 cores, 0x3800 will be serviced by core 0, 0x3801 by core 1, 0x3808 by core 0, and so on. Currently, if one specifies extra RX PCD queues in the device tree, these queues will **also** be assigned in this round-robin fashion.

High Priority Core Affined Queues

Starting with SDK 2.0, a new set of RX PCD frame queues has been added, to aid in implementing complex traffic management scenarios. This set of frame queues has a higher priority than the normal RX PCD frame queues, and as such, traffic coming in on these frame queues has a higher precedence than the traffic coming on on the default RX PCD frame queues. One scenario where this is useful is the back-to-back IPsec testing scenario, where the encrypted traffic (RX) is desirable to have a higher priority than the plain text traffic.

The driver calculates the high priority frame queue IDs based on the address of the MAC registers corresponding to the port using the following formula:

$$65536 + ((\text{MAC register address}) \& 0x1ffff) \gg 6$$

Following are the values for various QoriQ DPAA1 platforms:

Table 54. FMan devices high priority core affined queues

Interface	FQID base	LS1043A	LS1046A
fm1-mac1	0x13800	Y	
fm1-mac2	0x13880	Y	
fm1-mac3	0x13900	Y	Y
fm1-mac4	0x13980	Y	Y
fm1-mac5	0x13a00	Y	Y
fm1-mac6	0x13a80	Y	Y
fm1-mac9	0x13c00	Y	Y
fm1-mac10	0x13c80		Y

7.2.2.5.4 Quality of Service

DPAA1 platforms can offload QoS functions such as policing, shaping, scheduling and prioritization to dedicated hardware blocks.

Traffic policing is achieved on ingress through the FMan. A two rate three color marker algorithm can be configured through the Frame Manager Configuration (FMC) tool.

Traffic scheduling, shaping, and prioritization is executed on the egress path in the QMan. Multiple algorithms, such as dual rate shaping and strict prioritization, are implemented and can be configured through queuing disciplines.

7.2.2.5.4.1 Policing

The FMan's Policer sub block implements a two rate, three color marker (trTCM) traffic policing algorithm. The algorithm has two configurable flavors: RFC2698 and RFC4115.

The FMC tool, described in detail in [Frame Manager Configuration Tool User's Guide](#), is used to enable the Policer and set up its parameters.

For more information regarding the FMan Policer and how it can be configured, see the [Section 7.2.6.9.4](#).

7.2.2.5.4.2 Scheduling and Shaping

Description

Specific DPAA1 platforms offer scheduling, shaping and prioritization capabilities through CEETM (Customer Edge Egress Traffic Management). The CEETM hardware block is a member of the QMan. Its purpose is to enhance the performances of DPAA1 platforms by moving the egress QoS logic from software to hardware.

This section briefly describes the CEETM block and its capabilities. Furthermore, it presents how it can be configured through the Linux traffic control tool (tc) by using a custom queuing discipline.

The CEETM architecture

CEETM is a sub block of the QMan and is an alternative to the regular *frame queue - work queue - channel* scheduling mode. For more information regarding this workflow, or on DCPs and subportals, refer to the **QMan Overview** section.

Refer the figure below for a CEETM block, which is available for each FMan and it is intended to be used by FMan subportals linked to Ethernet interfaces.

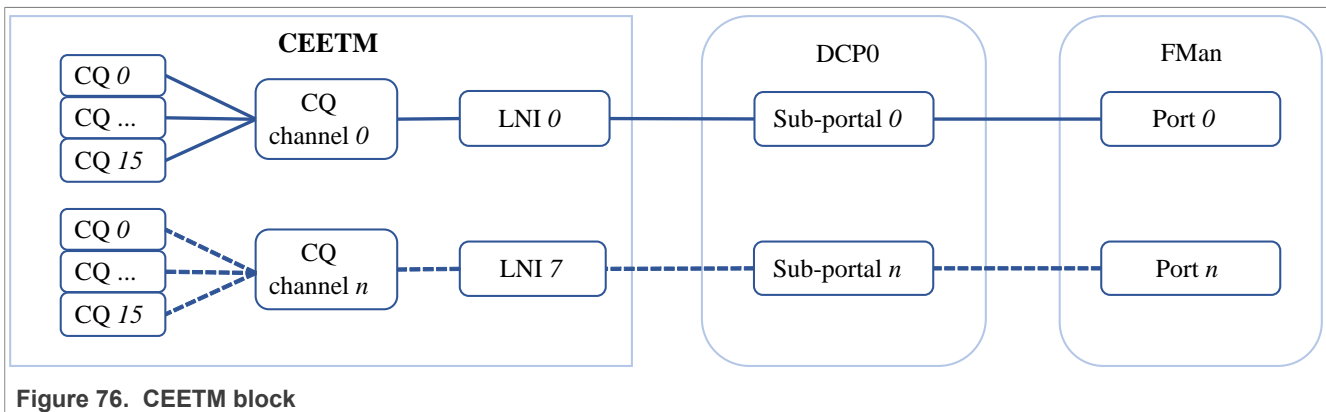


Figure 76. CEETM block

CEETM uses 8 Logical Network Interfaces (LNIs) that can be mapped to the FMan’s DCP subportals. Depending on the platform used, there are 8 or 32 class queue channels (or CQ channels) that can be mapped to the LNIs. Multiple CQ channels can be mapped to the same LNI.

Each CQ channel contains 16 class queues. 8 CQs are independent while the other 8 can be grouped into 1 class group or 2 class groups of 4 queues each. The first group is called *group A* and the second is called *group B*.

Features

CEETM implements the following algorithms:

- Strict Priority scheduling

- Weighted Bandwidth Fair Scheduling (WBFS)
- dual-rate shaping with committed and excess rates (CR/ER)
- shaped and unshaped Fair Queueing scheduling (shFQ, uFQ)

These algorithms are used together in specific combinations based on the CEETM's architecture described previously and shown below:

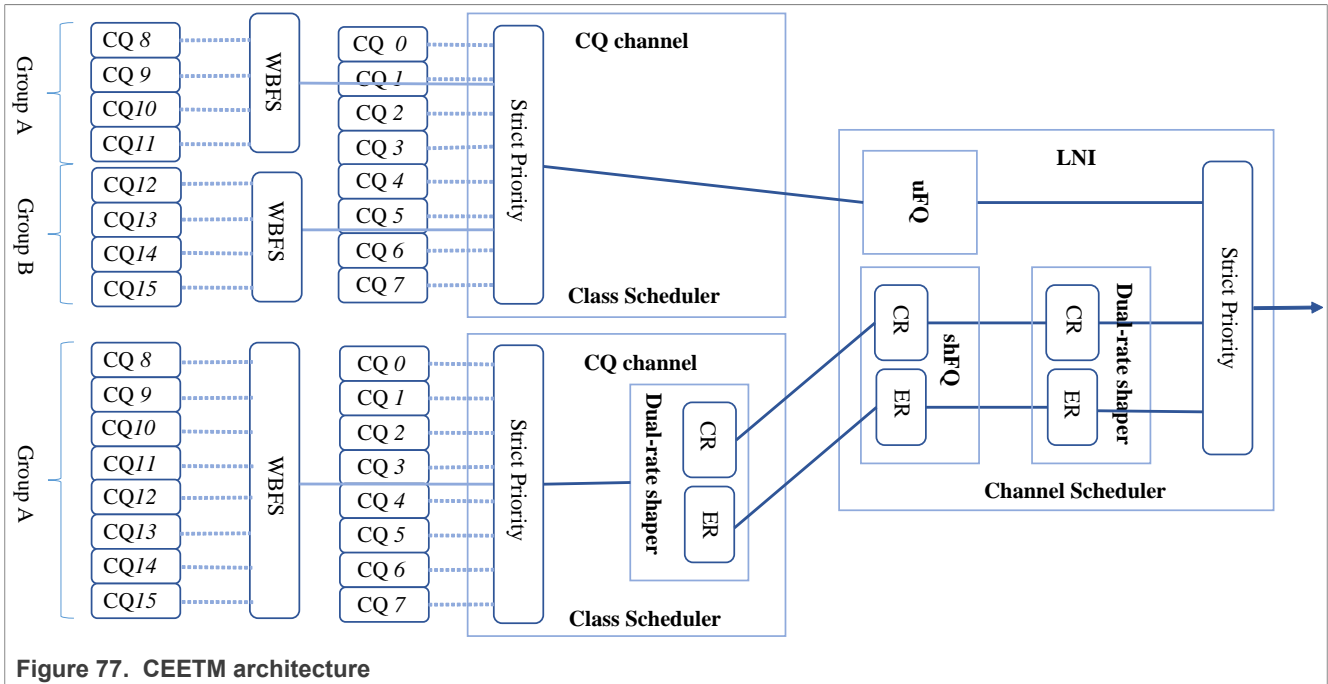


Figure 77. CEETM architecture

All the CQs connected to a CQ channel pass through a Strict Priority scheduler. The lower the CQ's ID, the higher the CQ's priority (For example, CQ#3 has a higher priority than CQ#4, therefore, as long as there are frames queued to CQ#3, CQ#4 will not be dequeued).

The priority of the CQ groups is configurable. All frames coming from the grouped CQs pass through the WBFS algorithm. Each CQ belonging to a group is assigned a weight. The weight is a value from 1 to 248, and signifies a CQ's bandwidth share relative to the other CQs in the group. For example, a CQ with weight 20 will have a share of the bandwidth double the share of a CQ with weight 10. More details on how the WBFS algorithm works can be found in the platform's QorIQ DPAA Reference Manual.

The CQ channels can be shaped or unshaped. For CQs leading to a shaped channel, all frames will pass through a dual-rate shaper before entering the LNI. The independent CQs, as well as the class groups, can be configured to lead their frames through the CR shaper, the ER shaper, or both.

Each LNI aggregates frames from the CQ channels linked to it. All the unshaped frames from the unshaped CQ channels mapped to the LNI pass through the uFQ algorithm. The CR/ER frames from the shaped CQ channels pass through the shFQ algorithm and through another dual-rate shaper. Lastly, all frames pass through the LNI's Strict Priority module that schedules the unshaped frame (with high priority), the CR frames (with medium priority) and the ER frames (with low priority).

The shFQ algorithm schedules a channel for transmitting if the channel's shaper is time eligible (the shaper has a positive number of tokens in its bucket). When a channel finishes its tokens, it is added to a waiting queue where it must wait for any other time eligible channels ahead of it finish transmitting.

The uFQ algorithm is similar to the shFQ. In the uFQ algorithm, all channels are time eligible. After finishing to transmit all their available data, they are added to the back of the time eligible waiting queue where their bucket is instantly refilled. The token bucket limit of the unshaped channels is configurable.

For more information regarding the CEETM's capabilities and detailed descriptions of the mentioned algorithms, take a look at your platform's QorIQ DPAA Reference Manual.

Integration with queuing disciplines

The CEETM block can be configured through the *ceetm* queuing discipline. A comparison between the hardware block and the traffic control's terminology is shown in figure below.

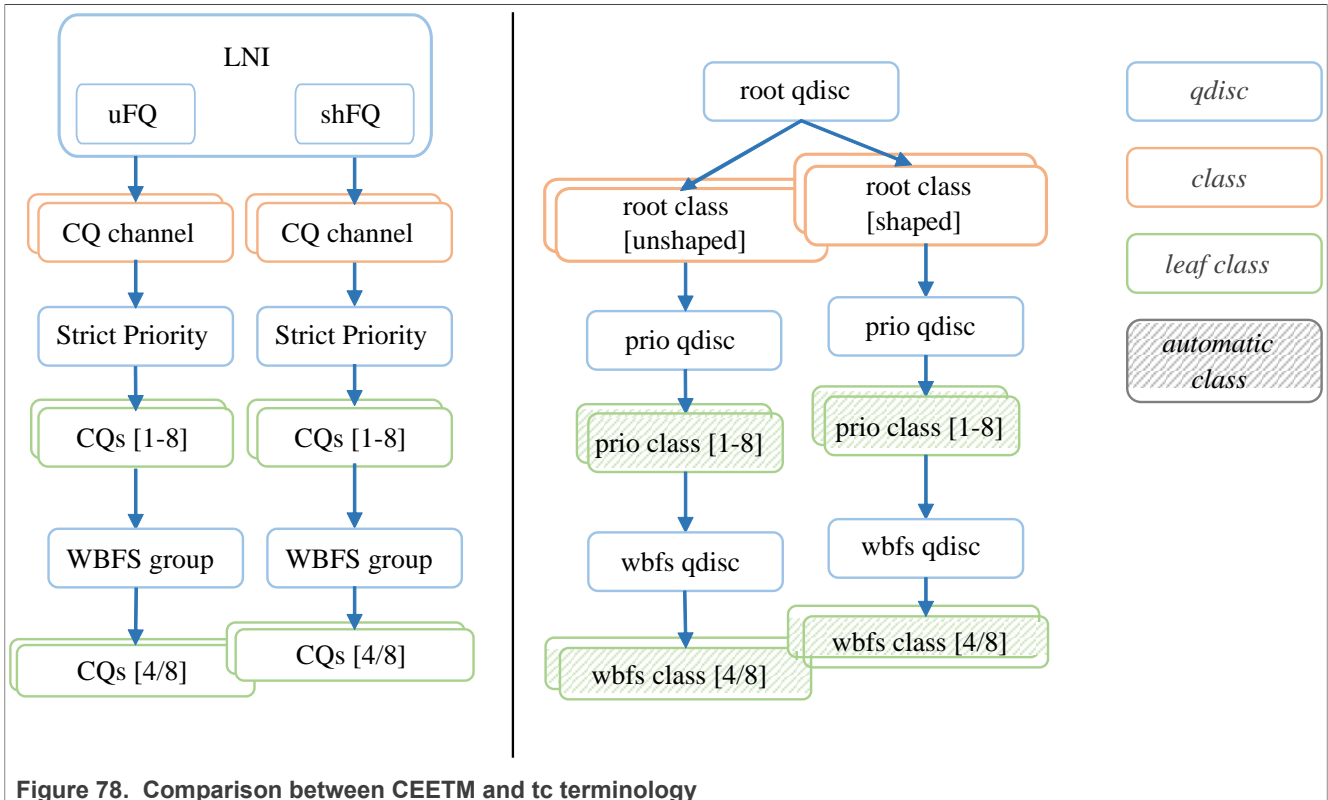


Figure 78. Comparison between CEETM and tc terminology

An LNI can be mapped to a FMan port by adding a *rootceetm* qdisc to a network interface. The LNI shaper's CR and ER are configured by setting a *rate*, and optional *ceil* and *overhead*, on the qdisc.

A CQ channel can be linked to an LNI by creating a *ceetm* root class mapped to the *root* qdisc. For an unshaped channel, the uFQ's token bucket limit (*tbl*) needs to be configured. For a shaped channel, the *rate*, and optional *ceil*, set the CR and ER.

Note: Shaped CQ channels can be linked to the LNI only if the LNI's shaper is enabled.

A channel's independent CQs are configured when a *prio* qdisc is linked to a *root* class. Between 1 and 8 *prio* classes are generated, each class corresponding to a CQ linked to the channel's Strict Priority scheduler. The *qcount* parameter indicates the number of child classes. If the channel is shaped, all generated classes participate by default in both CR and ER shaping. In order to disable one or the other, the CQ's corresponding *prio* class's *cr* and *er* parameters can be changed.

Note: CQs linked to a shaped CQ channel cannot have both CR and ER shaping disabled.

In order to configure the CQ groups, a *wbfs* qdisc is linked to one of the *prio* classes. Either 4 or 8 *wbfs* classes are generated, depending on the number of CQs in the group indicated by the *qcount* parameter. The group is placed right after its parent in the channel's Strict Priority list (For example, if the *wbfs* qdisc is linked to the *prio* class #2, the priority list becomes: class #1, class #2, group, class #3, class #4, and so on). The CQ weights are configured through the *qweight* parameter and can be changed for each CQ individually. For groups linked to shaped CQ channels, the CR and ER shaping are enabled by the *cr* and *er* parameters.

Note: Groups linked to a shaped CQ channel cannot have both CR and ER shaping disabled.

For more details, on the ceetm qdisc's parameters and configuration, see the [Section "Usage"](#) section.

User guide

Supported platforms

The CEETM block is present and configurable through the ceetm qdisc on the LS1043A/LS1046A platforms.

Getting started

1. Enable the networking QoS support in the kernel along with any classifiers or other features that might be needed, as well as the *ceetm* qdisc.

```
-> Networking support (NET [=y])
  -> Networking options
    -> QoS and/or fair queueing (NET_SCHED [=y])
      -> Universal 32bit comparisons w/ hashing (u32) (NET_CLS_U32
[=y])
  -> Device Drivers
    -> Network device support (NETDEVICES [=y])
      -> Ethernet driver support (ETHERNET [=y])
        -> Freescale devices (NET_VENDOR_FREESCALE [=y])
          -> DPAA Ethernet (FSL_SDK_DPAA_ETH [=y])
            -> DPAA CEETM QoS (FSL_DPAA_CEETM [=y])
```

2. Modify the Class Congestion State thresholds if necessary. The default values are chosen keeping in mind the following factors:
 - A threshold too large will buffer frames for a long time in the TX queues, when a small shaping rate is configured. This will cause buffer pool depletion or out of memory errors. This in turn will cause frame loss on RX.
 - A threshold too small will cause unnecessary frame loss by entering congestion too often.

```
-> Device Drivers
  -> Network device support (NETDEVICES [=y])
    -> Ethernet driver support (ETHERNET [=y])
      -> Freescale devices (NET_VENDOR_FREESCALE [=y])
        -> DPAA Ethernet (FSL_SDK_DPAA_ETH [=y])
          -> CEETM egress congestion threshold on 1G ports
            (FSL_DPAA_CEETM_CCS_THRESHOLD_1G [=0x000a0000])
          -> CEETM egress congestion threshold on 10G ports
            (FSL_DPAA_CEETM_CCS_THRESHOLD_10G [=0x00640000])
```

3. Build the ceetm application with bitbake:

```
bitbake ceetm
```

Limitations

- CEETM is supported on DPAA1 Private Ethernet interfaces only.
- CEETM isn't supported on top of Linux bonding interfaces.

Usage

You can see the `ceetm qdisc`'s help message by running the following command:

```
~# tc qdisc add ceetm help
Usage:
... qdisc add ... ceetm type root [rate R [ceil C] [overhead O]]
... class add ... ceetm type root (tbl T | rate R [ceil C])
... qdisc add ... ceetm type prio qcount Q
... qdisc add ... ceetm type wbfs qcount Q qweight W1 ... Wn [cr CR] [er ER]
Update configurations:
... qdisc change ... ceetm type root [rate R [ceil C] [overhead O]]
... class change ... ceetm type root (tbl T | rate R [ceil C])
... class change ... ceetm type prio [cr CR] [er ER]
... qdisc change ... ceetm type wbfs [cr CR] [er ER]
... class change ... ceetm type wbfs qweight W
Qdisc types:
root - configure a LNI linked to a FMan port
prio - configure a channel's Priority Scheduler with up to eight classes
wbfs - configure a Weighted Bandwidth Fair Scheduler with four or eight classes
Class types:
root - configure a shaped or unshaped channel
prio - configure an independent class queue
Options:
R - the CR of the LNI's or channel's dual-rate shaper (required for shaping
  scenarios)
C - the ER of the LNI's or channel's dual-rate shaper (optional for shaping
  scenarios, defaults to 0)
O - per-packet size overhead used in rate computations (required for shaping
  scenarios, recommended value is 24 i.e. 12 bytes IFG + 8 bytes Preamble + 4
  bytes FCS)
T - the token bucket limit of an unshaped channel used as fair queuing weight
  (required for unshaped channels)
CR/ER - boolean marking if the class group or prio class queue contributes to
  CR/ER shaping (1) or not (0) (optional, at least one needs to be enabled for
  shaping scenarios, both default to 1 for prio class queues)
Q - the number of class queues connected to the channel (from 1 to 8) or in a
  class group (either 4 or 8)
W - the weights of each class in the class group measured in a log scale with
  values from 1 to 248 (when adding a wbfs qdisc, either four or eight, depending
  on the size of the class group; when updating a wbfs class, only one)
```

Filters need to be added on each `qdisc` layer in order to allow packets to reach the leaf classes. Likewise, all filters need to be removed from each `qdisc` layer when no longer used.

Examples

Rate limit two streams

Setup

In the following example a platform with CEETM support (LS1043ARDB - Client) is connected to another board (LS1046ARDB - Server) through a 1G link. The described setup is shown in the following figure.

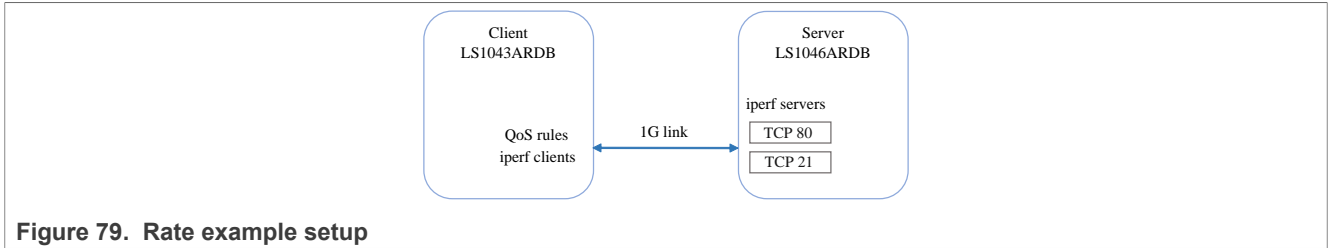


Figure 79. Rate example setup

The iperf clients run on the Client while the iperf servers run on the Server. The Server listens on 2 TCP ports (21 and 80).

```
root@ls1046ardb:~# iperf -s -p 21 &
root@ls1046ardb:~# iperf -s -p 80 &
```

PCDs are applied on both platforms in advance.

```
root@ls1046ardb:~# fmc -c /etc/fmc/config/private/ls1046ardb/
RR_FFSSPPPH_1133_5559/config.xml -p /etc/fmc/config/private/ls1046ardb/
RR_FFSSPPPH_1133_5559/policy_ipv4.xml -a
root@ls1043ardb:~# fmc -c /etc/fmc/config/private/ls1043ardb/RR_FQPP_1455/
config.xml -p /etc/fmc/config/private/ls1043ardb/RR_FQPP_1455/policy_ipv4.xml -a
```

In order to keep this example minimal, ARP frames aren't filtered and classified. Therefore, MAC addresses need to be exchanged and saved in advance as well.

```
root@ls1043ardb:~# arp -s <server IP address> <server HW address>
root@ls1046ardb:~# arp -s <client IP address> <client HW address>
```

After adding the qdiscs, the Client runs the iperf clients.

```
root@ls1043ardb:~# iperf -c <server IP address> -p 21 &
root@ls1043ardb:~# iperf -c <server IP address> -p 80 &
```

Execution

This example's corresponding qdisc and class hierarchy is shown in the following figure.

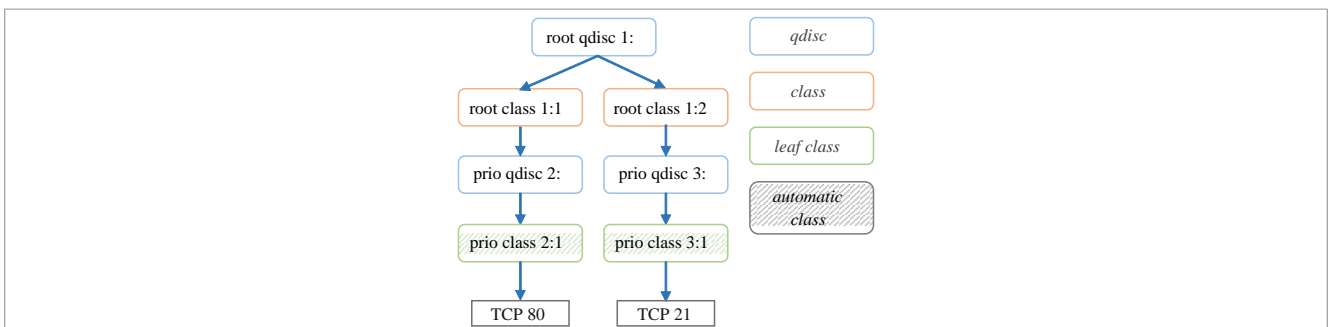


Figure 80. Rate example class hierarchy

Add a ceetm qdisc to the interface and configure the LNI's dual-rate shaper with a CR of 1 Gbit/s.

```
root@ls1043ardb:~# tc qdisc add dev fm1-mac3 root handle 1: ceetm type root
rate 1000mbit overhead 24
```

Add a shaped channel to the LNI and configure its dual-rate shaper with a CR of 150 Mbit/s.

```
root@ls1043ardb:~# tc class add dev fm1-mac3 parent 1: classid 1:1 ceetm type
root rate 150mbit
```

Add another shaped channel to the LNI and configure its dual-rate shaper with a CR of 850 Mbit/s.

```
root@ls1043ardb:~# tc class add dev fm1-mac3 parent 1: classid 1:2 ceetm type
root rate 850mbit
```

Configure one of the first channel's priority classes (marked by default as both CR and ER eligible).

```
root@ls1043ardb:~# tc qdisc add dev fm1-mac3 parent 1:1 handle 2: ceetm type
prio qcount 1
```

Configure one of the second channel's priority classes (marked by default as both CR and ER eligible).

```
root@ls1043ardb:~# tc qdisc add dev fm1-mac3 parent 1:2 handle 3: ceetm type
prio qcount 1
```

Add filters that will classify all packets with the destination port equal to 80 and lead them through the priority class of the first channel.

```
root@ls1043ardb:~# tc filter add dev fm1-mac3 parent 1: prio 1 protocol ip u32
match ip dport 80 0xffff flowid 1:1
root@ls1043ardb:~# tc filter add dev fm1-mac3 parent 2: prio 1 protocol ip u32
match ip dport 80 0xffff flowid 2:1
```

Add filters that will classify all packets with the destination port equal to 21 and lead them through the priority class of the second channel.

```
root@ls1043ardb:~# tc filter add dev fm1-mac3 parent 1: prio 1 protocol ip u32
match ip dport 21 0xffff flowid 1:2
root@ls1043ardb:~# tc filter add dev fm1-mac3 parent 3: prio 1 protocol ip u32
match ip dport 21 0xffff flowid 3:1
```

Prioritization of two streams

Setup

The same setup is used as for the [rate limit](#) example.

Execution

This example's corresponding qdisc and class hierarchy is pictured below:

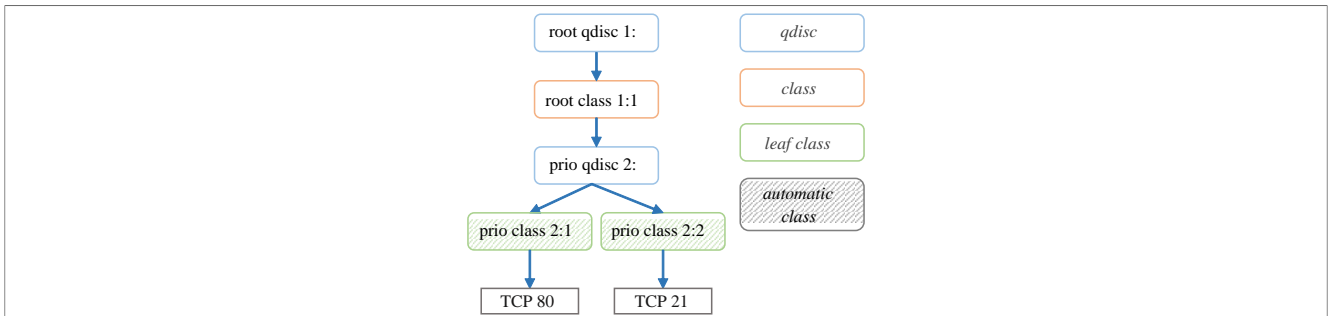


Figure 81. Prioritization example class hierarchy

Add a ceetm qdisc to the interface and configure the LNI's dual-rate shaper with a CR of 1 Gbit/s.

```
root@ls1043ardb:~# tc qdisc add dev fm1-mac3 root handle 1: ceetm type root
rate 1000mbit overhead 24
```

Add a shaped channel to the LNI and configure its dual-rate shaper with a CR of 1 Gbit/s.

```
root@ls1043ardb:~# tc class add dev fm1-mac3 parent 1: classid 1:1 ceetm type
root rate 1000mbit
```

Configure two of the channel's priority classes (marked by default as both CR and ER eligible).

```
root@ls1043ardb:~# tc qdisc add dev fm1-mac3 parent 1:1 handle 2: ceetm type
prio qcount 2
```

Add filters that will classify all packets with the destination port equal to 80 and lead them through the highest priority class of the channel.

```
root@ls1043ardb:~# tc filter add dev fm1-mac3 parent 1: prio 1 protocol ip u32
match ip dport 80 0xffff flowid 1:1
root@ls1043ardb:~# tc filter add dev fm1-mac3 parent 2: prio 1 protocol ip u32
match ip dport 80 0xffff flowid 2:1
```

Add filters that will classify all packets with the destination port equal to 21 and lead them through the second (lowest) priority class of the channel.

```
root@ls1043ardb:~# tc filter add dev fm1-mac3 parent 1: prio 1 protocol ip u32
match ip dport 8000 0xffff flowid 1:1
root@ls1043ardb:~# tc filter add dev fm1-mac3 parent 2: prio 1 protocol ip u32
match ip dport 8000 0xffff flowid 2:2
```

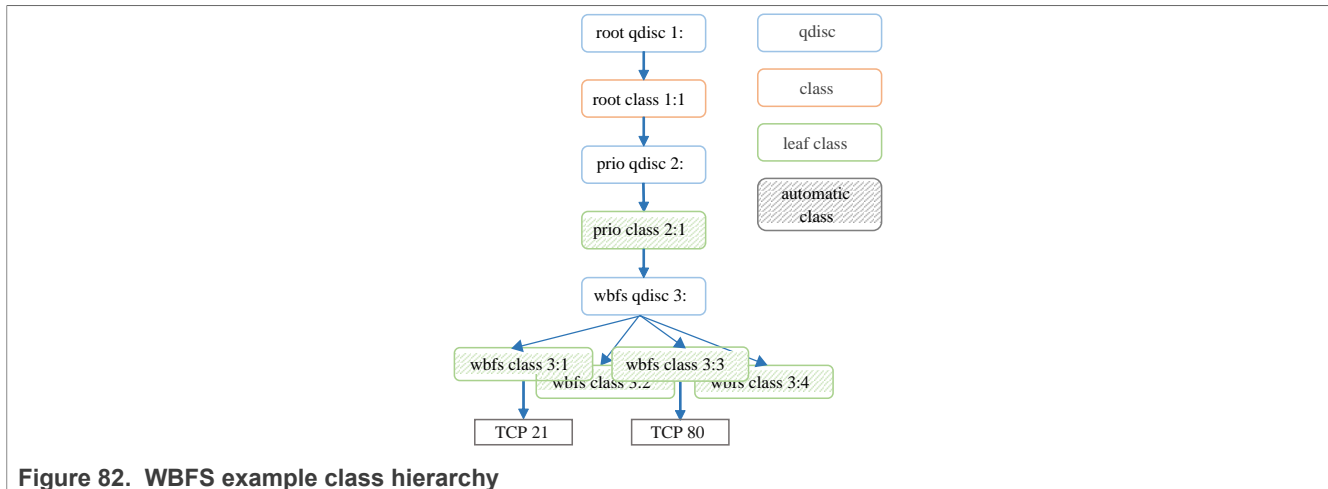
Assigning weights to two streams

Setup

The same setup is used as for the [rate limit](#) example.

Execution

This example's corresponding qdisc and class hierarchy is pictured below:



Add a ceetm qdisc to the interface and configure the LNI's dual-rate shaper with a CR of 1 Gbit/s.

```
root@ls1043ardb:~# tc qdisc add dev fm1-mac3 root handle 1: ceetm type root
rate 1000mbit overhead 24
```

Add a shaped channel to the LNI and configure its dual-rate shaper with a CR of 1 Gbit/s.

```
root@ls1043ardb:~# tc class add dev fm1-mac3 parent 1: classid 1:1 ceetm type
root rate 1000mbit
```

Configure one of the channel's priority classes (marked by default as both CR and ER eligible).

```
root@ls1043ardb:~# tc qdisc add dev fm1-mac3 parent 1:1 handle 2: ceetm type
prio qcount 1
```

Configure a class group of four classes, place it after the 2:1 class in the priority list, and assign different weights to each class (10, 50, 120 and 200).

```
root@ls1043ardb:~# tc qdisc add dev fm1-mac3 parent 2:1 handle 3: ceetm type
wbfs qcount 4 qweight 200 120 50 10 cr 1 er 1
```

Add filters that classify all packets with the destination port equal to 21 and lead them through the class with the highest weight of the group.

```
root@ls1043ardb:~# tc filter add dev fm1-mac3 parent 1: prio 1 protocol ip u32
match ip dport 21 0xffff flowid 1:1
root@ls1043ardb:~# tc filter add dev fm1-mac3 parent 2: prio 1 protocol ip u32
match ip dport 21 0xffff flowid 2:1
root@ls1043ardb:~# tc filter add dev fm1-mac3 parent 3: prio 1 protocol ip u32
match ip dport 21 0xffff flowid 3:1
```

Add filters that classify all packets with the destination port equal to 80 and lead them through other classes of the group.

```
root@ls1043ardb:~# tc filter add dev fm1-mac3 parent 1: prio 1 protocol ip u32
match ip dport 80 0xffff flowid 1:1
root@ls1043ardb:~# tc filter add dev fm1-mac3 parent 2: prio 1 protocol ip u32
match ip dport 80 0xffff flowid 2:1
```

```
root@ls1043ardb:~# tc filter add dev fml-mac3 parent 3: prio 1 protocol ip u32
match ip dport 80 0xffff flowid 3:3
```

Unshaped Fair Queuing of two streams

Setup

In the following example a platform with CEETM support (LS1043ARDB - Main) is connected to two other boards: a LS1043ARDB (Client) through a 10G link and a LS1046ARDB (Server) through a 1G link. The described setup is shown below:

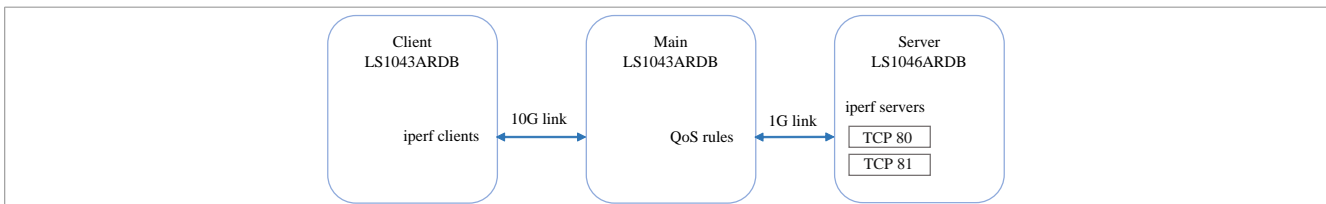


Figure 83. Unshaped Fair Queuing example setup

The iperf clients run on the Client while the iperf servers run on the Server. The Server listens on two TCP ports (80 and 81).

```
root@ls1046ardb:~# iperf -s -p 80 &
root@ls1046ardb:~# iperf -s -p 81 &
```

PCDs are applied on all platforms in advance.

```
root@ls1043ardb:~# fmc -c /etc/fmc/config/private/ls1043ardb/RR_FQPP_1455/
config.xml -p /etc/fmc/config/private/ls1043ardb/RR_FQPP_1455/policy_ipv4.xml -a
root@ls1046ardb:~# fmc -c /etc/fmc/config/private/ls1046ardb/
RR_FFSSPPPH_1133_5559/config.xml -p /etc/fmc/config/private/ls1046ardb/
RR_FFSSPPPH_1133_5559/policy_ipv4.xml -a
```

In order to keep this example minimal, ARP frames aren't filtered and classified. Therefore, MAC addresses need to be exchanged and saved in advance as well.

```
# Server:
root@ls1046ardb:~# arp -s <main IP address> <main HW address>
# Main:
root@ls1043ardb:~# arp -s <client IP address> <client HW address>
root@ls1043ardb:~# arp -s <server IP address> <server HW address>
# Client:
root@ls1043ardb:~# arp -s <main IP address> <main HW address>
```

IP forwarding is enabled on the Main board. Routes are added on the Server and Client boards as well.

```
# Main:
root@ls1043ardb:~# echo 1 > /proc/sys/net/ipv4/ip_forward
# Client:
root@ls1043ardb:~# route add -net <server network address> <server network mask>
gw <main IP address>
# Server:
root@ls1046ardb:~# route add -net <client network address> <client network mask>
gw <main IP address>
```

After adding the qdiscs, the Client runs the iperf clients.

```
root@ls1043ardb:~# iperf -c <server IP address> -p 80 &
root@ls1043ardb:~# iperf -c <server IP address> -p 81 &
```

Execution

This example's corresponding qdisc and class hierarchy is shown below.

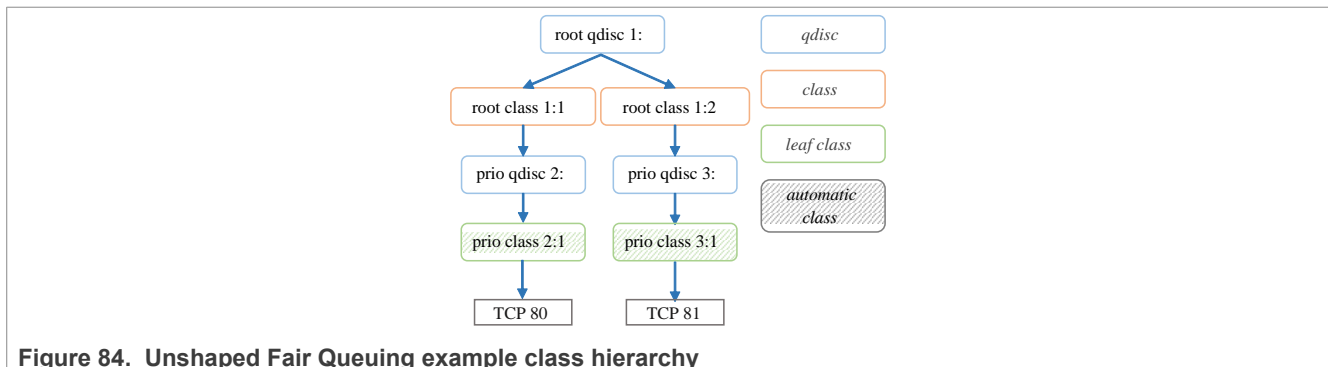


Figure 84. Unshaped Fair Queuing example class hierarchy

Add a ceetm qdisc to the interface and don't configure the LNI's dual-rate shaper.

```
root@ls1043ardb:~# tc qdisc add dev fml-mac3 root handle 1: ceetm type root
```

Add an unshaped channel to the LNI and configure its CR's token bucket limit to 1000 bytes.

```
root@ls1043ardb:~# tc class add dev fml-mac3 parent 1: classid 1:1 ceetm type
root tbl 1000
```

Add another unshaped channel to the LNI and configure its CR's token bucket limit to 500 bytes.

```
root@ls1043ardb:~# tc class add dev fml-mac3 parent 1: classid 1:2 ceetm type
root tbl 500
```

Configure one of the first channel's priority classes.

```
root@ls1043ardb:~# tc qdisc add dev fml-mac3 parent 1:1 handle 2: ceetm type
prio qcount 1
```

Configure one of the second channel's priority classes.

```
root@ls1043ardb:~# tc qdisc add dev fml-mac3 parent 1:2 handle 3: ceetm type
prio qcount 1
```

Add filters that will classify all packets with the destination port equal to 80 and lead them through the priority class of the first channel.

```
root@ls1043ardb:~# tc filter add dev fml-mac3 parent 1: prio 1 protocol ip u32
match ip dport 80 0xffff flowid 1:1
root@ls1043ardb:~# tc filter add dev fml-mac3 parent 2: prio 1 protocol ip u32
match ip dport 80 0xffff flowid 2:1
```

Add filters that will classify all packets with the destination port equal to 81 and lead them through the priority class of the second channel.

```
root@ls1043ardb:~# tc filter add dev fml-mac3 parent 1: prio 1 protocol ip u32
match ip dport 81 0xffff flowid 1:2
root@ls1043ardb:~# tc filter add dev fml-mac3 parent 3: prio 1 protocol ip u32
match ip dport 81 0xffff flowid 3:1
```

7.2.2.5.5 Debugging

This section describes the debugging capabilities of the DPAA1 Ethernet driver.

7.2.2.5.5.1 Ethtool support

Various counters and statistics are exported through ethtool such as the number of interrupts per core, the number of frames per core, the number of available buffers, congestion detection, and so on.

Following is an example of an ethtool output:

```
root@ls1043ardb:~# ethtool -S fml-mac1
NIC statistics:
  interrupts [CPU 0]: 1
  interrupts [CPU 1]: 1
  interrupts [CPU 2]: 2
  interrupts [CPU 3]: 2
  interrupts [TOTAL]: 6
  rx packets [CPU 0]: 0
  rx packets [CPU 1]: 0
  rx packets [CPU 2]: 0
  rx packets [CPU 3]: 0
  rx packets [TOTAL]: 0
  tx packets [CPU 0]: 0
  tx packets [CPU 1]: 0
  tx packets [CPU 2]: 6
  tx packets [CPU 3]: 0
  tx packets [TOTAL]: 6
  tx recycled [CPU 0]: 0
  tx recycled [CPU 1]: 0
  tx recycled [CPU 2]: 0
  tx recycled [CPU 3]: 0
  tx recycled [TOTAL]: 0
  tx confirm [CPU 0]: 1
  tx confirm [CPU 1]: 1
  tx confirm [CPU 2]: 2
  tx confirm [CPU 3]: 2
  tx confirm [TOTAL]: 6
  tx S/G [CPU 0]: 0
  tx S/G [CPU 1]: 0
  tx S/G [CPU 2]: 0
  tx S/G [CPU 3]: 0
  tx S/G [TOTAL]: 0
  rx S/G [CPU 0]: 0
  rx S/G [CPU 1]: 0
  rx S/G [CPU 2]: 0
  rx S/G [CPU 3]: 0
  rx S/G [TOTAL]: 0
  tx error [CPU 0]: 0
  tx error [CPU 1]: 0
```

```

tx error [CPU 2]: 0
tx error [CPU 3]: 0
tx error [TOTAL]: 0
rx error [CPU 0]: 0
rx error [CPU 1]: 0
rx error [CPU 2]: 0
rx error [CPU 3]: 0
rx error [TOTAL]: 0
bp count [CPU 0]: 128
bp count [CPU 1]: 128
bp count [CPU 2]: 128
bp count [CPU 3]: 128
bp count [TOTAL]: 512
rx dma error: 0
rx frame physical error: 0
rx frame size error: 0
rx header error: 0
rx csum error: 0
qman cg_tdrop: 0
qman wred: 0
qman error cond: 0
qman early window: 0
qman late window: 0
qman fq tdrop: 0
qman fq retired: 0
qman orp disabled: 0
congestion time (ms): 0
entered congestion: 0
congested (0/1): 0

```

7.2.2.5.5.2 Read/Write of FMan Registers

Most of the FMan configuration registers are mapped into the system memory space. Efficient debugging and testing can be done by making read/write operations on the registers through specialized tools. For example, the number of pause frames received on a particular MAC device can be computed summing the base relative address of every component:

```

0x1a00000 (FMan) +
  0xe8000 (MAC 5) +
    0x014 (Maximum frame length register) =
-----
0x1ae8014

```

A memory print of the 0x1ae8014 address will display the maximum frame length configured for the fifth MAC device from the FMan on a LS1046A platform.

The entire memory map for all mapped registers of the DPAA1 hardware components can be found in each platform's Reference Manual.

7.2.2.5.5.3 Sysfs support

To enable Sysfs in the Linux kernel one must set the **CONFIG_SYSFS** option in Kconfig. The DPAA1 Ethernet Driver exports a series of information in Sysfs such as the buffer pool IDs, the frame queue IDs used by the interface, and MAC registers and statistics, as shown in the following examples:

```

root@ls1046ardb:~# cat /sys/devices/platform/fsl,dpaa/fsl,dpaa:ethernet@2/net/
fm1-mac3/bpids
32
root@ls1046ardb:~# cat /sys/devices/platform/fsl,dpaa/fsl,dpaa:ethernet@2/net/
fm1-mac3/fqids
Rx error: 259
Rx default: 260
Rx PCD: 14592 - 14719
Rx PCD High Priority: 80128 - 80255
Tx confirmation (mq): 261 - 324
Tx error: 325
Tx default confirmation: 326
Tx: 327 - 390
root@ls1046ardb:~# cat /sys/devices/platform/fsl,dpaa/fsl,dpaa:ethernet@2/net/
fm1-mac3/mac_regs
-----
FM MAC - MEMAC - 2 (0xFFFF8000801D6000)
-----
0xFFFF8000801D6008: 0x00020840          command_config
0xFFFF8000801D600C: 0x38ca0568          mac_addr0.mac_addr_l
0xFFFF8000801D6010: 0x0000de30          mac_addr0.mac_addr_u
[...]
root@ls1046ardb:~# cat /sys/devices/platform/fsl,dpaa/fsl,dpaa:ethernet@2/net/
fm1-mac3/mac_rx_stats
-----
FM MAC - MEMAC - 2 Rx stats (0xFFFF8000801D6000)
-----
0xFFFF8000801D6100: 0x00000000          reoct_l
0xFFFF8000801D6104: 0x00000000          reoct_u
[...]
root@ls1046ardb:~# cat /sys/devices/platform/fsl,dpaa/fsl,dpaa:ethernet@2/net/
fm1-mac3/mac_tx_stats
-----
FM MAC - MEMAC - 2 Tx stats (0xFFFF8000801D6000)
-----
0xFFFF8000801D6200: 0x00000000          teoct_l
0xFFFF8000801D6204: 0x00000000          teoct_u
[...]

```

7.2.2.5.6 Frequently Asked Questions

1. How do I send a frame up the network stack?

The frame-processing network stack only exists in the context of a net device. So, “sending a frame into the stack” is an inaccurate statement: the frame must first be associated to a net device, and then the respective instance of the Ethernet driver will deliver the frame to the stack, on behalf of that net device. To achieve that, the frame must arrive via the physical device that underlies the driver.

2. Can I allocate a buffer and inject it as a frame into a private interface’s ingress queues?

This is probably a mistake. The DPAA1-Ethernet driver makes hard assumptions on buffer ownership, allocation and layout. In addition, the driver expects FMan Parse Results to be placed in the frame preamble, at an offset which is implementation-dependent. In short, while a carefully crafted code might work, it would make for very brittle design, and hard to maintain, too.

3. But can I acquire a buffer directly from a private interface’s Buffer Pool, and inject it as such into the private interface’s RX FQs?

It is not an intended use case for private interfaces.

4. What format must an ingress frame have, from the standpoint of the DPAA1-Ethernet driver and the Linux kernel stack?

The DPAA1-Ethernet driver is expected to perform an initial validation of the ingress frame, but does not look at the Layer-2 fields directly. The current kernel networking code does make a check on the MAC addresses of the frame and the protocol (Ethertype) field. One should not make assumptions on such details of frame processing, because the kernel stack implementation is not bound by any contract.

5. What channel are the FQs assigned to?

Each interface uses by default one pool channel across all Software Portals and also the dedicated channels of each CPU. Note that any of these channels may be shared with other DPAA1 Ethernet devices, and even with other DPAA1 drivers such as SEC. The *default* and *error* FQs are assigned to the pool channel. The Tx queues are assigned to the (direct connect) channel linked to the Tx port associated with the interface. Any other statically-defined queues will be assigned in a round-robin fashion to the core-affine portals.

6. What work queue are the FQs assigned to?

- Tx Confirmation FQs go to WQ1
- RX Error and Tx Error FQs go to WQ2
- RX Default, Tx and PCD FQs go to WQ3

7. How do I use the core-affined queues?

The anticipated way of using the core-affined queues is to use one of the default FMC policy files:

```
/etc/fmc/config/private/common/policy_ipv4.xml
/etc/fmc/config/private/common/policy_ipv6.xml
```

Default FMC configuration files are provided for each reference board:

```
/etc/fmc/config/private/<name of reference board>/<RCW directory>/<name of
configuration file>
```

Here are two examples showing FMC commands using the default configuration and policy files:

```
(1) fmc -c /etc/fmc/config/private/ls1043ardb/RR_FQPP_1455/config.xml -p /
etc/fmc/config/private/ls1043ardb/RR_FQPP_1455/policy_ipv4.xml -a
```

Note that `/etc/fmc/config/private/ls1043ardb/RR_FQPP_1455/policy_ipv4.xml` is a soft link to `/etc/fmc/config/private/common/policy_ipv4.xml`.

```
(2) fmc -c /etc/fmc/config/private/ls1043ardb/RR_FQPP_1455/config.xml -p /
etc/fmc/config/private/ls1043ardb/RR_FQPP_1455/policy_ipv6.xml -a
```

Note that `/etc/fmc/config/private/ls1043ardb/RR_FQPP_1455/policy_ipv6.xml` is a soft link to `/etc/fmc/config/private/common/policy_ipv6.xml`.

If you create a configuration file instead of using one of the default configuration files, be sure to use the appropriate policies found in the default policy files:

```
/etc/fmc/config/private/common/policy_ipv4.xml
/etc/fmc/config/private/common/policy_ipv6.xml
```

7.2.2.5.7 Known issues

- The MTU currently defaults to a maximum of 1522. If you want a higher MTU, it is necessary to pass `fsl_fm_max_frm=N` on the kernel bootargs, where "N" is the desired maximum MTU + 22.

7.2.2.6 Upstream Ethernet Driver

The DPAA 1.x Upstream Ethernet driver variant has been actively maintained in the Linux kernel community since v4.10. Most features and fixes have been back ported to the kernel versions of this current Layerscape LDP release.

An overview of the driver, along with its main features and configuration options, is written in the Linux kernel's source tree in the documentation section at *Documentation/networking/device_drivers/ethernet/freescale/dpaa.rst*.

7.2.2.6.1 Configuration

The Upstream and Private Ethernet driver variants are independent from one another and are built separately. The Private driver variant is enabled by default by the Layerscape LDP. If you wish to build the Upstream driver variant instead, enable the following build options:

```
CONFIG_FSL_DPAA=y
CONFIG_FSL_FMAN=y
CONFIG_FSL_DPAA_ETH=y
CONFIG_FSL_XGMAC_MDIO=y
```

7.2.2.6.2 Device Trees

The Upstream and Private Ethernet drivers use different Device Tree Source files. The Layerscape LDP enables the device trees associated with the Private driver by default. These end with the *-sdk* flag. The device trees that are used by the Upstream driver variant do not have a flag at the end. For example:

```
fsl-ls1043a-rdb.dts - used by the Upstream Ethernet driver
fsl-ls1043a-rdb-sdk.dts - used by the Private Ethernet driver
```

After building the kernel with the Upstream Ethernet driver enabled, also compile the correct Device Tree Blob for your platform. For example:

```
make freescale/fsl-ls1043a-rdb-sdk.dtb - build the DTB for the Private Ethernet driver
make freescale/fsl-ls1043a-rdb.dtb - build the DTB for the Upstream Ethernet driver
```

7.2.2.7 Performance considerations

The performance of both the DPAA 1.x networking drivers and the entire system can be influenced by the following factors. These can be tweaked in order to accommodate the desired use case and to increase the performance when required.

- **RX hashing**

The hash distribution of traffic among cores guarantees load balancing when many flows are entering the system. The distribution mechanism also maintains order between the frames in a flow, therefore maximizing the throughput in TCP scenarios.

This feature is enabled by default at boot.

In the Private DPAA 1.x Ethernet Driver, RX hashing is configured through the [fmc \(Frame Manager Configuration\)](#) tool. More details can be found in the [Core Affined Queues](#) section as well.

In the Upstream DPAA 1.x Ethernet Driver, RX hashing is configured through `ethtool`. More details can be found in the Linux kernel's source tree at *Documentation/networking/device_drivers/ethernet/freescale/dpaa.rst*.

For additional general performance optimization guidelines, see the [Section 7.9](#) section.

7.2.3 Queue Manager (QMan) and Buffer Manager (BMan)

7.2.3.1 QMan/BMan Drivers Introduction

7.2.3.1.1 Description

This document describes Linux and USDPAA drivers for the QMan and BMan hardware blocks underlying the QorIQ data path. QMan and BMan have independent drivers but their implementation and interfaces are very much analogous due to the similar CCSR and Corenet programming interfaces for each. As such, we will describe here "the driver", when in fact the description applies to both the QMan and BMan drivers equally and independently.

The driver targets the Linux and USDPAA environments. The majority of the code is shared between the environments. Environmental differences are dealt with by including a compatibility layer in the USDPAA code. This code redefines Linux-specific functionality for use in the other environments (for example `irqs` and `spinlocks`).

The driver has two parts to it, "config" and "portal", corresponding to the two complimentary programming interfaces exposed by the device itself - these are described below. Additionally there is a self-test module for each driver that uses the portal interface to perform some basic tests provided one or more portals are made available to the OS via its device-tree.

7.2.3.1.2 CCSR, or "global config"

The CCSR map and associated registers allows the device to be configured and controlled in a global/un-partitioned manner. This includes such basic notions as configuring the device's private memory region(s), configuring the hardware interfaces that are exposed by QMan/BMan to the dependent hardware blocks (CAAM, PME, FMan), managing global device error interrupts, and so on. Only one "control" operating system should map to this CCSR register space in the case that a hypervisor is managing multiple guests. Other operating systems like secondary Linux instances or USDPAA applications do not have access to CCSR registers.

7.2.3.1.3 Functionality

Configuration

The QMan device is configured via device-tree nodes and by some compile-time options controlled via Linux's Kconfig system. See the "QMan and BMan Kernel Configure Options" section for more info.

API

For the Linux kernel, the C interface of the QMan and BMan drivers provides access to portal-based functionality for arbitrary higher-layer code, hiding all the mux/demux/locking details required for shared use by multiple driver layers (networking, pattern matching, encryption, IPC, and so on.) The driver makes 1-to-1 associations between cpus and portals to improve cache locality and reduce locking requirements. The QMan API permits users to work with Frame Queues and callbacks, independently of other users and associated portal details. The BMan API permits users to work with Buffer Pools in a similar manner.

For USDPAA, the driver associates portals with threads (in the pthreads sense), so the above comments about "shared use by multiple driver layers" only applies with respect to code executed within the thread owning a portal. To benefit from cache locality, and particularly from portal stashing, USDPAA-enabled threads are generally expected to be configured to execute on the same core that the portal is assigned to. Indeed, the USDPAA API for threads to call to initialize a portal takes the core as a function parameter. See the USDPAA User Guide for more information (as well as the [Section 7.2.3.2](#)).

DPAA1 allocator

The DPAA1 allocator is a purely software-based range-allocator, but this must be explicitly seeded with a hard-coded range of values and is not shared between operating systems. The DPAA1 allocator is used to allocate all QMan and BMan resource, i.e bman-bpid, qman-fqid, qman-pool, qman-cgrid, ceetm-sp, ceetm-lni, ceetm-lfqid, ceetm-ccgrid.

Sysfs Interface

QMan and BMan have a sysfs interface. Refer to the Queue Manager, Buffer Manager API reference Manual for details.

Debugfs Interface

Both the QMan and BMan have a debugfs interface available to assist in device debugging. The code can be built either as a loadable module or statically.

7.2.3.1.4 Module Loading

The drivers are statically linked into the kernel. Driver self-tests and the debugfs interface may be built as dynamically loadable modules.

7.2.3.1.5 QMan and BMan Kernel Configure Options

Common Kernel Configure Options	Description
CONFIG_STAGING	Required in order to make “staging” drivers such as QMan/BMan available.
CONFIG_FSL_DPA	Required to build either QMan and/or BMan drivers.
CONFIG_FSL_DPA_CHECKING	Compiles in additional sanity-checks, at the expense of minor performance degradation. Recommended for debugging, but not for benchmarking.
CONFIG_FSL_DPA_CAN_WAIT	Compiles in support for interfaces and functionality that allow callers to optionally be put to “sleep” waiting for temporarily blocked resources to become available rather than returning errors. For example, enqueueing when an enqueue ring is full. This is enabled unconditionally on linux.
CONFIG_FSL_DPA_CAN_WAIT_SYNC	Similar to “_CAN_WAIT”, but supports additional API flags for waiting for asynchronous operations to complete. For example, after starting a volatile dequeue, wait for all dequeues to complete. This is enabled unconditionally on linux.
CONFIG_FSL_DPA_PIRQ_FAST	If set, causes portals to initialize with fast-path interrupt sources enabled. (Otherwise, polling APIs must be called to perform fast-path processing.) This is enabled unconditionally on linux.
CONFIG_FSL_DPA_PIRQ_SLOW	If set, causes portals to initialize with slow-path interrupt sources enabled. (Otherwise, polling APIs must be called to perform slow-path processing.) This is enabled unconditionally on linux.
CONFIG_FSL_DPA_PORTAL_SHARE	Compiles in support for sharing one CPU's portal with all online CPUs that do not have their own. Useful when assigning most portals to USDPAA applications and leaving only a minimum for kernel requirements, in which case Tx events on all CPUs can be handled by the network driver. This is enabled by default, as the microscopic performance overhead of checking this option is not noticeable in the kernel environment.

QMan Kernel Configure Options	Description
CONFIG_FSL_QMAN	Required to build the QMan driver
CONFIG_FSL_QMAN_CONFIG	Handles config/CCSR nodes in the device-tree and initializes the corresponding devices
CONFIG_FSL_QMAN_TEST	Builds a self-test kernel module (static or dynamic) that will, if QMan portal nodes are available in the device-tree, exercise one of the portals and panic() the kernel if any errors are detected.
CONFIG_FSL_QMAN_TEST_STASH_POTATO	This requires the presence of multiple unused cpu-affine portals, and performs a "hot potato" style test enqueueing/dequeueing a frame across a series of FQs scheduled to different portals (and cpus). The intention is to test stashing. The "potato" will visit each "spoon" (portal/cpu pair) during the test. Each "potato" frame has a single cache line of data that is read-modify-written by each cpu/portal before passing it to the next.
CONFIG_FSL_QMAN_TEST_HIGH	This requires the presence of cpu-affine portals, and performs high-level API testing with them (whichever portal(s) are affine to the cpu(s) the test executes on).
CONFIG_FSL_QMAN_TEST_ERRATA	This requires the presence of cpu-affine portals, and performs testing that handling for known hardware-errata is correct.
CONFIG_FSL_QMAN_DEBUGFS	This option enables files in the debugfs filesystem.

BMan Kernel Configure Options	Description
CONFIG_FSL_BMAN	Required to build the BMan driver
CONFIG_FSL_BMAN_CONFIG	Handles config/CCSR nodes in the device-tree and initializes the corresponding devices
CONFIG_FSL_BMAN_TEST	Builds a self-test kernel module (static or dynamic) that will, if BMan portal nodes are available in the device-tree, exercise one of the portals and panic() the kernel if any errors are detected.
CONFIG_FSL_BMAN_TEST_HIGH	Performs high-level API testing.
CONFIG_FSL_BMAN_TEST_THRESH	Multi-threaded testing of BMan pool depletion handling.
CONFIG_FSL_BMAN_DEBUGFS	This option enables files in the debugfs filesystem.

7.2.3.1.6 Device-tree nodes

Device tree nodes are used to describe QMan/BMan resources to the driver, some of which are specific to control-plane s/w (that is, depending on CCSR access) and some of which relate to portal usage for control and data plane s/w.

CCSR, or "global config"

The "fsl,qman" and "fsl,bman" nodes (that is, these "compatible" property types) indicate the presence and location of the 4 Kb "Configuration, Control, and Status Register" (CCSR) space, for use by a single control-plane driver instance to initialize and manage the device. The device-tree usually groups all such CCSR maps as subnodes under a parent node that represents the SoCs entire CCSR map, usually named "soc" or "ccsr". For example;

```
soc {
    #address-cells = <1>;
    #size-cells = <1>;
```

```

device_type = "soc";
compatible = "simple-bus";
ddr1: memory-controller@8000{
    [...]
};
i2c@118000 {
    [...]
};
mpic: pic@40000 {
    [...]
};
qman: qman@318000 {
    compatible = "fsl,qman";
    reg = <0x318000 0x1000>;
    interrupts = <16 2 1 3>;
    /* Commented out, use default allocation */
    /* fsl,qman-fqd = <0x0 0x20000000 0x0 0x01000000>; */
    /* fsl,qman-pfdr = <0x0 0x21000000 0x0 0x01000000>; */
};
bman: bman@31a000 {
    compatible = "fsl,bman";
    reg = <0x31a000 0x1000>;
    interrupts = <16 2 1 3>;
    /* Same as fsl,qman-*, use default allocation */
    /* fsl,bman-fbpr = <0x0 0x22000000 0x0 0x01000000>; */
};
[...];
};

```

Contiguous memory

The `fsl,qman-fqd`, `fsl,qman-pfdr`, and `fsl,bman-fbpr` properties can be used to specify which contiguous subregions of memory should be used for the various memory requirements of QMan/BMan. The properties use 64-bit values, so 4 cells express the address/size 2-tuple to use. In the above example, if uncommented, the QMan/BMan resources would be allocated in the range `0x20000000-0x221ffffff`, with 16 MB each for QMan FQD and PFDR memory and BMan FBPR memory. If these properties are not specified (or they are commented out) in the device tree, then default values hard-coded within the QMan and BMan drivers are used instead. The Linux kernel will reserve these memory ranges early on boot-up. Note that in the case of a hypervisor scenario, these memory ranges are relative to the partition memory space of the control-plane guest OS.

QMan FQID-range allocation

The "fsl,fqid-range" node (that is, these "compatible" property types) indicates a range of FQIDs to use for FQID allocation by the QMan driver. The range within the node is specified using a property of the same name, and whose two cells are the starting FQID value and the count. Multiple nodes can be provided to seed the allocator with a discontinuous set of FQIDs.

For example, to specify that the allocator use FQIDs between 256 and 512 inclusive;

```

qman-fqids@0 {
    compatible = "fsl,fqid-range";
    fsl,fqid-range = <256 256>;
};

```

BMan BPID-range allocation

The "fsl,bpool-range" node (that is, these "compatible" property types) indicates a range of BPIDs to use for BPID allocation by the BMan driver. The range within the node is specified using a property of the same name,

and whose two cells are the starting BPID value and the count. Multiple nodes can be provided to seed the allocator with a discontinuous set of BPIDs.

For example, to specify that the allocator use BPIDs between 32 and 64 inclusive;

```
bman-bpids@0 {
    compatible = "fsl,bpid-range";
    fsl,bpid-range = <32 32>;
};
```

7.2.3.1.7 Compile-time Configuration Options

The "Kernel Configure Options" above describe the compile-time configuration options for the kernel. The device tree entries are also "compile-time", and are described above.

7.2.3.1.8 Source Files

As mentioned earlier, the QMan/BMan drivers support Linux and USDPAA environments. Many of the files have the same contents between the different environments, though the files are located at different paths to satisfy the different build systems for each.

For DPAA1 QBMan drivers, all the files are located in `drivers/soc/fsl/qbman` directory

USDPAA

Source Files	Description
include/usdpaa/fsl_qman.h	The QMan driver APIs
include/usdpaa/fsl_bman.h	The BMan driver APIs
include/usdpaa/fsl_usd.h	The USDPAA-specific APIs for QMan/BMan (For example, Binding portals to threads, support for UIO-based interrupt handling, and so on.)
include/usdpaa/compat.h	The QMan/BMan driver compatibility shims
include/usdpaa/compat_list.h	The QMan/BMan driver compatibility shims, linked-list support.
src/qbman/qman_*.c	The QMan driver
src/qbman/bman_*.c	The BMan driver
src/qbman/dpa_sys.h	USDPAA-specific definitions shared by the QMan/BMan drivers.
src/qbman/dpa_alloc.c	USDPAA support for dpa allocator.
src/qbman/06-usdpaa-uio.rules	Udev rules to create appropriately named /dev entries when the kernel registers portals as UIO devices.

7.2.3.1.9 Build Procedure

The procedure is a standard SDK build, which includes Linux kernel and USDPAA drivers by default.

7.2.3.1.10 Test Procedure

The QMan/BMan drivers are used by all Linux kernel software that communicates with data path functionality such as CAAM, PME, and/or FMan. (The exception is that kernel cryptographic acceleration presently bypasses QMan/BMan interfaces by using the device's own "job queue" interface.) Use of such data path-based functionality provides test-coverage of user-facing features of the QMan/BMan drivers in the Linux environment.

This complements the QMan/BMan unit tests that are run during development but are not part of the release. For USDPAA, all applications and tests use QMan and BMan interfaces in a fundamental way, so all imply a degree of test-coverage.

Additionally, for Linux, the QMan and BMan self-tests target QMan and BMan directly without involving other data path blocks. If these are built statically into the kernel and the device-tree makes one or more QMan and/or BMan portals available, then the self-tests will run during the kernel boots and log output to the boot console. The output of both QMan and BMan tests resembles the following excerpts;

Detecting the CCSR and portal device-tree nodes;

```
[...] Qman ver:0a01,01,02 [...] Bman ver:0a02,01,00 [...] BMan err interrupt
handler present BMan portal initialised, cpu 0 BMan portal initialised, cpu
1 BMan portal initialised, cpu 2 BMan portal initialised, cpu 3 BMan portal
initialised, cpu 4 BMan portal initialised, cpu 5 BMan portal initialised,
cpu 6 BMan portal initialised, cpu 7 BMan portals initialised BMan: BPID
allocator includes range 32:32 QMan err interrupt handler present QMan portal
initialised, cpu 0 QMan portal initialised, cpu 1 QMan portal initialised, cpu
2 QMan portal initialised, cpu 3 QMan portal initialised, cpu 4 QMan portal
initialised, cpu 5 QMan portal initialised, cpu 6 QMan portal initialised, cpu
7 QMan portals initialised QMan: FQID allocator includes range 256:256 QMan:
FQID allocator includes range 32768:32768 QMan: CGRID allocator includes range
0:256 QMan: pool channel allocator includes range 33:15 [...]
```

Running the QMan and BMan self-tests;

```
[...]
BMAN: --- starting high-level test ---
BMAN: --- finished high-level test ---
[...]
qman test high starting
VDQCR (till-empty);
VDQCR (4 of 10);
VDQCR (6 of 10);
scheduled dequeue (till-empty)
Retirement message received
qman_test_high finished
[...]
```

Running the BMan threshold test;

```
[...]
bman_test_thresh: start
bman_test_thresh: buffers are in
thread 0: starting
thread 1: starting
thread 2: starting
thread 3: starting
thread 4: starting
thread 5: starting
thread 6: starting
thread 7: starting
thread 0: draining...
cb_depletion: bpid=62, depleted=2, cpu=0
cb_depletion: bpid=62, depleted=2, cpu=1
cb_depletion: bpid=62, depleted=2, cpu=2
cb_depletion: bpid=62, depleted=2, cpu=3
cb_depletion: bpid=62, depleted=2, cpu=4
cb_depletion: bpid=62, depleted=2, cpu=5
```

```
cb_depletion: bpid=62, depleted=2, cpu=6
cb_depletion: bpid=62, depleted=2, cpu=7
thread 0: draining done.
thread 0: exiting
thread 1: exiting
thread 2: exiting
thread 3: exiting
thread 4: exiting
thread 5: exiting
thread 6: exiting
thread 7: exiting
bman_test_thresh: done
[...]
```

Running the QMan hot potato test;

```
[...]
qman_test_hotpotato starting
Creating 2 handlers per cpu...
Number of cpus: 8, total of 16 handlers
Sending first frame
Received final (8th) frame
qman_test_hotpotato finished
[...]
```

If the self-tests detect any errors, they will `panic()` the kernel immediately, so if the kernel gets beyond the QMan/BMan self-tests then the tests passed.

7.2.3.2 QMan BMan API Reference

7.2.3.2.1 Introduction to the Queue Manager and the Buffer Manager

The Queue Manager (QMan) and Buffer Manager (BMan) devices each expose two interfaces to software control. One interface is the Configuration and Control Status Register map (CCSR), which provides global configuration of the device, registers related to global device errors, performance, statistics, debugging, and so on. The other interface is the CoreNet interface, which provides a memory map with multiple "portals" located in separable subregions for independent/parallel runtime use of the devices.

The software described in this document is targeted to the Linux kernel and Linux user-space (USDPA) system targets. However, only Linux supports operating as the controller for the devices, so all interfaces related to CCSR access are Linux-only. Also, remember platform-specific considerations when working with the interfaces described here. See [Section 7.2.3.2.8](#) for more details.

7.2.3.2.2 Buffer Manager

7.2.3.2.2.1 Buffer Manager (BMan) Overview

Function

The QorIQ Buffer Manager (BMan) SoC block manages pools of buffers for use by software and hardware in the "data path" architecture.

In particular;

1. provides an efficient use of buffer resources because the output will only occupy as many buffers as required (whereas pre-allocation must provide for the worst-case scenario each time if it wishes to avoid truncation and information-loss),
2. software does not need to provision resources for every queued operation nor handle the complications of recycling unused output buffers, and so on.,
3. the footprint for buffer resources for a variety of different flows (and even different guest operating systems) can be "pooled".

With respect to "buffers", BMan really acts as an allocator of any 48-bit tokens the user wishes - BMan does not interpret these tokens at all, it is only the software and hardware blocks that use BMan that may assume these to be memory addresses. In many cases, the BMan acquire and release interfaces are likely to be more efficient than software-managed allocators due to the proximity of BMan's corenet-based interfaces to each CPU and its onboard caching and pre-fetching of pool data. Possible examples include; a BMan-oriented page-allocator for operating system memory-management, a "frame queue" allocator to manage unused QMan frame queue descriptors (FQD), and so on. In particular, the frame queue example provides a simple mechanism for sharing a range of frame-queue IDs across different partitions/operating systems in a virtualized environment without needing inter-partition communications in software.

Interfaces

The BMan block has a CCSR register space and interrupt line associated with the block for global configuration and management, specifically;

- the private system memory range (invisible to software) needed by BMan,
- software and hardware depletion interrupt thresholds for each pool,
- device error handling uses the global interrupt line and the CCSR register space contains error-capture and error-status registers.

The BMan block also exposes a Corenet memory space for low-latency interaction by the multiple SoC cores, and this corenet region is divided into a geometry of "portals" to allow independent access to BMan functionality in a partitioned (and/or virtualized) environment. Each portal consists of one 16KB cache-enabled and one 4 KB cache-inhibited subrange of the Corenet region, as well as a per-portal interrupt line. There are a variety of possible reasons for using distinct portals;

- for partitioning between distinct guest operating systems,
- to dedicate a portal for each CPU to reduce locking and improve cache-affinity,
- to make distinct portal configurations available,
- to give certain applications their own portal rather than enforcing a mux/demux layer to share a portal between applications,
- [and so on.]

Each portal presents the following BMan functionality;

- a "release command ring" (RCR), a pipelined mechanism for software to hardware commands that release buffers to BMan-managed buffer pools,
- a "management command" interface (MC), a low-latency command/response interface for acquiring buffers from buffer pools, and querying the status of all buffer pools,
- an interrupt line and associated status, disable, enable, and inhibit registers.

These portal interfaces will be described in more detail in their respective sections.

7.2.3.2.2 BMan configuration interface

The BMan configuration interface is an encapsulation of the BMan CCSR register space and the global/error interrupt line. Whereas BMan portals provide independent channels for accessing BMan functionality, the

configuration interface represents the BMan device itself. The BMan configuration interface is presently limited to the device-tree node that represents it, with one exception: an API exists to set per-buffer-pool depletion thresholds. This API is only available in the Linux control-plane - that is, a kernel compiled with BMan control support that has the BMan CCSR device-tree node present. In a hypervisor scenario, this implies that only the control-plane Linux guest OS can set buffer pool depletion thresholds.

BMan Device-Tree Node

The BMan device tree node represents the BMan device and its CCSR configuration space. When a Linux kernel has BMan control support compiled in, it reacts to this device tree node by configuring and managing the BMan device. The device-tree node sits within the CCSR node ("soc") and is of the following form.

```
soc@fe000000 {
    [...]
    bman: bman@31a000 {
        compatible = "fsl,bman";
        reg = <0x31a000 0x1000>;
        fsl,liodn = <0x20>;
    };
    [...]
};
```

'compatible' and 'reg' are standard ePAPR properties.

Free Buffer Proxy Records

As previously mentioned, BMan buffer pools needn't be used only for managing memory buffers, but in fact can manage pools of arbitrary 48-bit token values, whatever those tokens might represent. This is possible because BMan never uses those token values as memory locations - all management of buffer pools is maintained in memory that is private to the BMan block. Specifically, BMan uses some internal memory together with a private range of contiguous system memory for backing store. The internal units of the backing store memory are called "free buffer proxy records" (FBPRs), each of which occupies a 64-byte cache line of memory, and can hold 8 tokens.

The current driver implementation allows this memory resource to be specified via the 'fsl,bman-fbpr' device-tree property, or by resorting to a default allocation of contiguous memory early during kernel boot. The 'fsl,bman-fbpr' property specifies a 2-tuple of address and size, specifying the physical address range to assign to BMan. The example given configures 16 MB for FBPR memory (**262,144 FBPR entries or 2,097,152 buffer tokens**). These elements are expressed as 64-bit values, so take two cells each:

```
fsl,fbpr = <0x0 0x20000000 0x0 0x01000000>;
```

If the hypervisor is in use, this address range is "guest physical". If the given memory range falls within the range used by the Linux control-plane OS, it will attempt to reserve the range against use by the OS.

Note: For all BMan and QMan private memory resources, the alignment of the memory region must match its size.

Logical I/O Device Number (BMan)

Reads and writes to BMan's FBPR memory are subject to processing by the PAMU IO-MMU configuration of the SoC. In particular, BMan has an LIODN (Logical I/O Device Number) register setting that will be used by

PAMU authorize and possibly translate memory accesses. The bootloader (U-Boot) will program BMan's LIODN register and it will add this value as the "fsl,liodn" property before passing it along to the booted software.

```
fsl,liodn = <0x20>;
```

This property is only used by the hypervisor, in order to ensure that any translation between guest physical and real physical memory for the Linux guest OS is similarly applied to BMan transactions. If Linux is booted natively (no hypervisor), then the PAMU is either left in bypass mode or it is configured without translation. In any case the LIODN is of little practical importance to the configuration or use of BMan driver software.

Buffer Pool Node

The BMan buffer pool device tree node represents one of a BMan device's buffer pools and its associated configuration. When a Linux kernel has BMan control support compiled in, it will react to this device tree node by configuring and managing the BMan buffer pool, in particular the pool will be marked as reserved by the driver so that it is not available for dynamic assignment. The device-tree nodes usually sit within a BMan portals parent node ("bman-portals") and is of the following form.

```
bman-portals@f4000000 {
    [...]
    buffer-pool@0 {
        compatible = "fsl,bpool";
        fsl,bpid = <0x0>;
        fsl,bpool-cfg = <0x0 0x100 0x0 0x1 0x0 0x100>;
        fsl,bpool-thresholds = <0x8 0x20 0x0 0x0>;
    };
    [...]
};
```

Buffer Pool ID

The BMan device supports hardware managed buffer pools. Specifications and valid ID ranges vary between SoC's. Refer to the appropriate SoC Reference Manual for more information. The example above configures buffer pool 0, which is used by the QMan driver as an inter-partition allocator of unused QMan Frame Queue IDs;

```
fsl,bpid = <0x0>;
```

Buffer pool nodes in the device-tree indicate that the corresponding buffer pool IDs are reserved, that is, that they are not to be used for ad hoc allocation of unused pools.

Seeding Buffer Pools

It is also possible to have the control plane Linux BMan driver seed the buffer pool with an arbitrary arithmetic sequence of values, using the "fsl,bpool-cfg" property. This property is a 3-tuple of 64-bit values (each taking 2 cells) defining the arithmetic sequence; the count, the increment, and the base.

```
fsl,bpool-cfg = <0x0 0x100 0x0 0x1 0x0 0x100>;
```

In this example, the QMan FQ allocator implemented using BMan buffer pool ID 0 is seeded with 256 FQIDs in the range [256...511].

Depletion Thresholds

Each of the 64 buffer pools has CCSR registers related to depletion-handling. A pool is considered "depleted" once the number of buffers in that pool crosses a "depletion-entry" threshold from above, and this ends when the number of buffers subsequently crosses a "depletion-exit" threshold from below (the depletion-exit threshold should be higher than the depletion-entry threshold).

Each pool maintains two independent depletion states - one for software use and another for hardware blocks. Hardware blocks (like CAAM, FMan, PME) use the hardware depletion state primarily for the purpose of implementing push back (For example, by stalling input-processing, issuing "pause frames", and so on). There is a depletion-entry and -exit threshold for each buffer pool related to this hardware depletion state. The software depletion state serves two possible purposes - one is to allow software to implement push back too. The other use of software depletion thresholds is to allow software to manage "replenishment" of buffer pools. It is software that seeds buffer pools with blocks of memory initially and if desired, it can also use this mechanism to selectively provide additional blocks at runtime during depletion.

```
fsl,bpool-thresholds = <0x8 0x20 0x0 0x0>;
```

Here, software depletion thresholds have been set for the buffer pool used for the FQ allocator, but hardware depletion thresholds are disabled (the pool is for software use only). The pool will enter depletion when it drops below 8 "buffers" (in this case, FQIDs), and exit depletion when it rises above 32.

BMan Portal Device-Tree Node

The BMan Corenet portal interface in QorIQ P4080 provides up to 10 distinct memory-mapped interfaces for use by software to interact efficiently with BMan functionality. Specifically, each portal provides the following subinterfaces; RCR (Release Command Ring), MC (Management Command), and ISR (Interrupt Status Register). For non-P4080 specifications, refer to the appropriate QorIQ SoC Reference Manual.

The BMan driver determines the available corenet portals from the device tree. The portal nodes are at the physical address scope (unlike the device-tree node for the BMan device itself, which is within the "soc" physical address node that represents CCSR). These nodes indicate the physical address ranges of the cache-enabled and cache-inhibited subregions of the portal (respectively), and look something like the following;

```
bman-portal@0 {
    compatible = "fsl,bman-portal";
    reg = <0xe4000000 0x4000 0xe4100000 0x1000>;
    interrupts = <0x69 2>;
    interrupt-parent = <&mpic>;
    cell-index = <0x0>;
    cpu-handle = <&cpu3>;
};
```

The most note-worthy property is "cpu-handle", which is used to express an affinity/association between the given BMan portal and the CPU represented by the referenced device-tree node.

Portal Initialization (BMan)

The driver is informed of the BMan portals that are available to it via the device-tree passed to the system from the boot process. For those portals that aren't reserved for USDPAAs usage via the "fsl,usdpaa-portal" property, it will automatically create TLB entries to map the BMan portal corenet subregions as cpu-addressable and cache-inhibited or cache-enabled as appropriate.

The BMan driver will automatically associate initialized BMan portals with the CPU to which they are configured, only a one-per-CPU basis (if multiple portals are configured for the same CPU, only one is used). The purpose of this is to provide a canonical portal that software can use for whichever CPU it is running on, with the

advantages of a cpu-affine interface being improved cache-locality and reduced locking. This requires that each CPU have at least one portal device-tree node dedicated to it using the “cpu-handle” property.

Portal sharing

If there are CPUs that have no affine portal associated with them (for example if most portals have been reserved for USDPAA use), then the driver will select the highest-index portal to be configured for “sharing” with the CPUs that have no affine portal, otherwise called “slave CPUs” in this document. In this mode of operation, a coarser locking scheme is used for the portal in order to properly synchronize use by more than one CPU.

One key point to understand with portal sharing is that hardware-instigated portal events will continue to be processed only by the CPU to which the portal is affine, they are not shared. One consequence of this is that slave CPUs cannot use `*_irqsource_*`() APIs to alter the interrupt-vs-polling state of the portal, nor can they call `*_poll_*`() APIs to perform run-to-completion servicing of the portal. The sharing of the portal is only to allow software-instigated portal functionality to be available to slave CPUs, such as creating and manipulating objects, performing commands, and so on.

7.2.3.2.3 BMan CoreNet portal APIs

The following sections describe interfaces provided by the BMan driver for manipulating portals. as defined in [Section "BMan Portal Device-Tree Node"](#).

7.2.3.2.3.1 BMan High-Level Portal Interface

Overview (BMan)

The high-level portal interface provides management and encapsulation of a portal hardware interface. The operations performed on the portal are coordinated internally, hiding the user from the I/O semantics, and allowing multiple users/contexts to share portals without collaboration between them. This interface also provides an object representation for buffer pools, with optional assists for cases where the user wishes to track depletion entry and exit events.

This interface provides locking and arbitration of portal operations from multiple software contexts and/or threads (that is, the portal is shared). In cases where a resource is busy, the interface also gives callers the option of blocking/sleeping until the resource is available. In any case where sleeping is an option, the caller can also specify whether the sleep should be interruptible.

Portal management (BMan)

The portal management API provides `bman_affine_cpus()`, which returns a mask that indicates which CPUs have auto-initialized portals associated with them. See [Section "BMan Portal Device-Tree Node"](#). All other BMan API functions must be executed on CPUs contained within this mask, and any interactions they require with h/w will be performed on the corresponding portals.

```
/**
 * bman_affine_cpus - return a mask of cpus that have portal access
 */
const cpumask_t *bman_affine_cpus(void);
```

Modifying interrupt-driven portal duties (BMan)

Portals have various servicing duties they must perform in reaction to hardware events. The portal management API allows applications to control which of these duties/events are triggered by interrupt-handling versus those

which are performed at the application's explicit request via `bman_poll()`. If portal-sharing is in effect, refer to [Section "Portal sharing"](#). These APIs will not succeed when called from a slave CPU.

```
#define BM_PIRQ_RCRI      0x00000002      /* RCR Ring (below threshold) */
#define BM_PIRQ_BSCN     0x00000001      /* Buffer depletion State Change */
/**
 * bman_irqsource_get - return the portal work that is interrupt-driven
 *
 * Returns a bitmask of BM_PIRQ_**I processing sources that are currently
 * enabled for interrupt handling on the current cpu's affine portal. These
 * sources will trigger the portal interrupt and the interrupt handler (or a
 * tasklet/bottom-half it defers to) will perform the corresponding processing
 * work. The bman_poll_***() functions will only process sources that are not in
 * this bitmask. If the current CPU is sharing a portal hosted on another CPU,
 * this always returns zero.
 */
u32 bman_irqsource_get(void);
/**
 * bman_irqsource_add - add processing sources to be interrupt-driven
 * @bits: bitmask of BM_PIRQ_**I processing sources
 * Adds processing sources that should be interrupt-driven, (rather than
 * processed via bman_poll_***() functions). Returns zero for success, or
 * -EINVAL if the current CPU is sharing a portal hosted on another CPU.
 */
int bman_irqsource_add(u32 bits);
/**
 * bman_irqsource_remove - remove processing sources from being interrupt-driven
 * @bits: bitmask of BM_PIRQ_**I processing sources
 *
 * Removes processing sources from being interrupt-driven, so that they will
 * instead be processed via bman_poll_***() functions. Returns zero for success,
 * or -EINVAL if the current CPU is sharing a portal hosted on another CPU. */
int bman_irqsource_remove(u32 bits);
```

Processing non-interrupt-driven portal duties (BMan)

If portal-sharing is in effect, refer to [Section "Portal sharing"](#). These APIs will not succeed when called from a slave CPU.

```
/**
 * bman_poll_slow - process anything that isn't interrupt-driven.
 *
 * This function does any portal processing that isn't interrupt-driven. NB,
 * unlike the legacy wrapper bman_poll(), this function will deterministically
 * check for the presence of portal processing work and do it, which implies
 * some latency even if there's nothing to do. The bman_poll() wrapper on the
 * other hand (like the qman_poll() wrapper) attenuates this by checking for
 * (and doing) portal processing infrequently. Ie. such that qman_poll() and
 * bman_poll() can be called from core-processing loops. Use bman_poll_slow()
 * when you yourself are deciding when to incur the overhead of processing. If
 * the current CPU is sharing a portal hosted on another CPU, this function will
 * return -EINVAL, otherwise returns zero for success.
 */
int bman_poll_slow(void);
/**
 * bman_poll - process anything that isn't interrupt-driven.
 *
 * Dispatcher logic on a cpu can use this to trigger any maintenance of the
```

```

* affine portal. This function does whatever processing is not triggered by
* interrupts. This is a legacy wrapper that can be used in core-processing
* loops but mitigates the performance overhead of portal processing by
* adaptively bypassing true portal processing most of the time. (Processing is
* done once every 10 calls if the previous processing revealed that work needed
* to be done, or once every 1000 calls if the previous processing revealed no
* work needed doing.) If you wish to control this yourself, call
* bman_poll_slow() instead, which always checks for portal processing work.
*/
void bman_poll(void);

```

Recovery support (BMan)

Note that the following functions require the BMan portal to have been initialized in "recovery mode", which is not possible with the current release. As such, these functions are for future use only (and documented here only because they're declared in the API header).

```

/**
 * bman_recovery_cleanup_bpid - in recovery mode, cleanup a buffer pool
 */
int bman_recovery_cleanup_bpid(u32 bpid);
/**
 * bman_recovery_exit - leave recovery mode
 */
int bman_recovery_exit(void);

```

Determining if the release ring is empty

```

/**
 * bman_rcr_is_empty - Determine if portal's RCR is empty
 *
 * For use in situations where a cpu-affine caller needs to determine when all
 * releases for the local portal have been processed by BMan but can't use the
 * BMAN_RELEASE_FLAG_WAIT_SYNC flag to do this from the final bman_release().
 * The function forces tracking of RCR consumption (which normally doesn't
 * happen until release processing needs to find space to put new release
 * commands), and returns zero if the ring still has unprocessed entries,
 * non-zero if it is empty.
 */
int bman_rcr_is_empty(void);

```

Pool Management

To work with BMan buffer pools, a pool object must be created. As explained in [Section "Depletion State"](#), the pool may be created with the `BMAN_POOL_FLAG_DEPLETION` flag and corresponding depletion-entry/exit callbacks if the owner wishes to be notified of changes in the pool's depletion state. Creation of the pool object can also modify the pool's depletion entry and exit thresholds with the `BMAN_POOL_FLAG_THRESH` flag, so long as the `BMAN_POOL_FLAG_DYNAMIC_BPID` flag is specified (which will allocate an unreserved BPID) and when running in the control-plane (where reserved BPIDs are tracked). Depletion thresholds for reserved BPIDs can be set in the device-tree within the nodes that reserve them, so support for setting them in the API is not provided. The pool object can also maintain an internal buffer stockpile to optimize releases and acquires of buffers by specifying the `BMAN_POOL_FLAG_STOCKPILE` flag - actual releases to and acquires from h/w will only occur when the stockpile needs flushing or replenishing, ensuring that the interactions with hardware occur less often and are always optimized to release/acquire the maximum number of buffers at once. If a pool object is being freed and it has been configured to use stockpiling, a flush operation must be performed on

the pool object. This will ensure that all buffers in the stockpile are flushed to h/w. The pool object can then be freed. The stockpiling option is recommended wherever possible. One implementation note is that applications will sometimes want to create multiple pool objects for the same BPID in order to have one for each CPU (for performance reasons) - this means that each pool object will have its own stockpile. As a consequence, to drain a buffer pool empty would require that all pool objects for that BPID be drained independently (whereas without stockpiling enabled, only one pool object needs to be drained).

```

struct bman_pool;
/* This callback type is used when handling pool depletion entry/exit. The
 * 'cb_ctx' value is the opaque value associated with the pool object in
 * bman_new_pool(). 'depleted' is non-zero on depletion-entry, and zero on
 * depletion-exit. */
typedef void (*bman_cb_depletion)(struct bman_portal *bm,
                                struct bman_pool *pool, void *cb_ctx, int depleted);
/* Flags to bman_new_pool() */
#define BMAN_POOL_FLAG_NO_RELEASE      0x00000001 /* can't release to pool */
#define BMAN_POOL_FLAG_ONLY_RELEASE   0x00000002 /* can only release to pool */
#define BMAN_POOL_FLAG_DEPLETION      0x00000004 /* track depletion entry/exit */
#define BMAN_POOL_FLAG_DYNAMIC_BPID   0x00000008 /* (de)allocate bpid */
#define BMAN_POOL_FLAG_THRESH         0x00000010 /* set depletion thresholds */
#define BMAN_POOL_FLAG_STOCKPILE      0x00000020 /* stockpile to reduce hw ops */
/* This struct specifies parameters for a bman_pool object. */
struct bman_pool_params {
    /* index of the buffer pool to encapsulate (0-63), ignored if
     * BMAN_POOL_FLAG_DYNAMIC_BPID is set. */
    u32 bpid;
    /* bit-mask of BMAN_POOL_FLAG_*** options */
    u32 flags;
    /* depletion-entry/exit callback, if BMAN_POOL_FLAG_DEPLETION is set */
    bman_cb_depletion cb;
    /* opaque user value passed as a parameter to 'cb' */
    void *cb_ctx;
    /* depletion-entry/exit thresholds, if BMAN_POOL_FLAG_THRESH is set. NB:
     * this is only allowed if BMAN_POOL_FLAG_DYNAMIC_BPID is used *and*
     * when run in the control plane (which controls BMan CCSR). This array
     * matches the definition of bm_pool_set(). */
    u32 thresholds[4];
};
/**
 * bman_new_pool - Allocates a Buffer Pool object
 * @params: parameters specifying the buffer pool behavior
 *
 * Creates a pool object for the given @params. A portal and the depletion
 * callback field of @params are only used if the BMAN_POOL_FLAG_DEPLETION flag
 * is set. NB, the fields from @params are copied into the new pool object, so
 * the structure provided by the caller can be released or reused after the
 * function returns.
 */
struct bman_pool *bman_new_pool(const struct bman_pool_params *params);
/**
 * bman_free_pool - Deallocates a Buffer Pool object
 * @pool: the pool object to release
 */
void bman_free_pool(struct bman_pool *pool);
/**
 * bman_flush_stockpile - Flush stockpile buffer(s) to the buffer pool
 * @pool: the buffer pool object the stockpile belongs
 * @flags: bit-mask of BMAN_RELEASE_FLAG_*** options
 */

```



```

* Adds stockpile buffers to RCR entries until the stockpile is empty.
* The return value will be a negative error code if a h/w error occurred.
* If BMAN_RELEASE_FLAG_NOW flag is passed and RCR ring is full,
* -EAGAIN will be returned.
*/
int bman_flush_stockpile(struct bman_pool *pool, u32 flags);
/**
* bman_get_params - Returns a pool object's parameters.
* @pool: the pool object
*
* The returned pointer refers to state within the pool object so must not be
* modified and can no longer be read once the pool object is destroyed.
*/
const struct bman_pool_params *bman_get_params(const struct bman_pool *pool);
/**
* bman_query_free_buffers - Query how many free buffers are in buffer pool
* @pool: the buffer pool object to query
*
* Return the number of the free buffers
*/
u32 bman_query_free_buffers(struct bman_pool *pool);
/**
* bman_update_pool_thresholds - Change the buffer pool's depletion thresholds
* @pool: the buffer pool object to which the thresholds will be set
* @thresholds: the new thresholds
*/
int bman_update_pool_thresholds(struct bman_pool *pool, const u32 *thresholds);

```

Releasing and Acquiring Buffers

The following API functions allow applications to release buffers to a pool and acquire buffers from a pool. Note that the various "WAIT" flags for `bman_release()` are only available on linux.

```

/* Flags to bman_release() */
#define BMAN_RELEASE_FLAG_WAIT          0x00000001 /* wait if RCR is full */
#define BMAN_RELEASE_FLAG_WAIT_INT     0x00000002 /* if we wait, interruptible? */
#define BMAN_RELEASE_FLAG_WAIT_SYNC    0x00000004 /* if wait, until consumed? */
/**
* bman_release - Release buffer(s) to the buffer pool
* @pool: the buffer pool object to release to
* @bufs: an array of buffers to release
* @num: the number of buffers in @bufs (1-8)
* @flags: bit-mask of BMAN_RELEASE_FLAG_*** options
*
* Releases the specified buffers to the buffer pool. If stockpiling is
* enabled, this may not require a release command to be issued via the RCR
* ring, otherwise it certainly will. If the RCR ring is full, the function
* will return -EBUSY unless BMAN_RELEASE_FLAG_WAIT is selected, in which case
* it will sleep waiting for space to become available in RCR. If
* BMAN_RELEASE_FLAG_WAIT_SYNC is also specified then it will sleep until
* hardware has processed the command from the RCR (otherwise the same
* information can be obtained by polling bman_rcr_is_empty() until it returns
* TRUE). If the BMAN_RELEASE_FLAG_WAIT_INT is set, then any sleeps will be
* interruptible. If it is interrupted before producing the release command, it
* returns -EINTR. Otherwise, it will return zero to indicate the release was
* successfully issued. (In the case of interruptible sleeps and WAIT_SYNC,
* check signal_pending() upon return to determine whether the wait was
* interrupted.)
*/

```

```

int bman_release(struct bman_pool *pool, const struct bm_buffer *bufs,
                u8 num, u32 flags);
/**
 * bman_acquire - Acquire buffer(s) from a buffer pool
 * @pool: the buffer pool object to acquire from
 * @bufs: array for storing the acquired buffers
 * @num: the number of buffers desired (@bufs is at least this big)
 *
 * Acquires buffers from the buffer pool. If stockpiling is enabled, this may
 * not require an acquire command to be issued via the MC interface, otherwise
 * it certainly will. The return value will be the number of buffers obtained
 * from the pool, or a negative error code if a h/w error or pool starvation
 * was encountered.
 */
int bman_acquire(struct bman_pool *pool, struct bm_buffer *bufs, u8 num,
                u32 flags);

```

Depletion State

It is possible for portals to track depletion state changes to any of the 64 buffer pools supported in BMan. As described in [Section "Pool Management"](#), a pool object can invoke callbacks to convey depletion-entry and depletion-exit events if created with the `BMAN_POOL_FLAG_DEPLETION` flag.

Conversely, software can issue a portal management command to obtain a snapshot of the depletion and availability status of all BMan 64 pools at once, which is what the following interface does. Here "availability" implies that the pool is not completely empty. Depletion on the other hand is relative to the pools depletion-entry and exit-thresholds. The state of all 64 buffer pools is represented by the following structure types, accessor macros, and `bman_query_pools()` API;

```

struct bm_pool_state {
    [...]
};
/**
 * bman_query_pools - Query all buffer pool states
 * @state: storage for the queried availability and depletion states
 */
int bman_query_pools(struct bm_pool_state *state);
/* Determine the "availability state" of BPID 'p' from a query result 'r' */
#define BM_MCR_QUERY_AVAILABILITY(r,p) [...]
/* Determine the "depletion state" of BPID 'p' from a query result 'r' */
#define BM_MCR_QUERY_DEPLETION(r,p) [...]

```

7.2.3.2.4 Queue Manager

7.2.3.2.4.1 QMan Overview

Queue Manager's Function

The QorIQ Queue Manager (QMan) SoC block manages the movement of data ("frames") along uni-directional flows ("frame queues") between different software and hardware end-points ("portals"). This allows software instances to communicate with other software instances and/or data path hardware blocks (CAAM, PME, FMan) using a hardware-managed queueing mechanism. QMan provides a variety of features in the way this data movement can be managed, including tail-drop or weighted-red congestion/flow-control, congestion group depletion notification, order restoration, and order preservation.

It is beyond the scope of this document to fully explain all the QMan-related notions that are essential to using data path functionality effectively. But unlike the BMan reference, we will cover at least some of the basic elements here that are fundamental to the software interface, because QMan is more complicated than BMan and some simplistic definitions can be helpful as a place to start. For any more information about what QMan does and how it behaves, consult the appropriate QorIQ SoC Reference Manual.

Frame Descriptors

Frames are represented by "frame descriptors" (or "FD"s) which are 16-byte structures consisting of fields to describe;

- contiguous or scatter-gather data,
- a 32-bit per-frame-descriptor token value (called "cmd/status" because of its common usage in processing data to/from hardware blocks),
- trace-debugging bits,
- a partition ID, used for virtualizing memory access to frame data by data path hardware blocks (CAAM, PME, FMan),
- a BMan buffer pool ID, used to identify frames whose buffers are sourced from (or are to be recycled to) a BMan buffer pool.

A third ("nested") mode of the scatter-gather representation allows a frame-descriptor to reference more than one frame - this is referred to as a *compound frame*, and is a mechanism for creating an indissociable binding of more than one data descriptor, for example, this is used when sending an input descriptor to PME or CAAM and providing an output descriptor to go with it.

Frame descriptors that are under QMan's control reside in QMan-private resources, comprised of dedicated onboard cache as well as system memory assigned to QMan on initialization. When frames are enqueued to (and dequeued from) frame queues by QMan on behalf of software portals or hardware blocks, the frame descriptor fields are copied in to (and out of) these QMan-private resources.

As with BMan not caring whether the 48-bit tokens it manages are real buffer addresses or not, the same is mostly true for QMan with respect to the frame descriptors it manages. QMan ignores the memory addresses present in the frame descriptor, unless it is dequeued via a portal configured for data stashing and is dequeued from a frame queue that is configured for frame data (or annotation) stashing. However QMan always pays attention to the length field of frame descriptors. In general, the only field that can be safely used as a "pass-through" value without any QMan consequences is the 32-bit cmd/status field.

Frame Queue Descriptors (QMan)

Frame queues are uni-directional queues of frames, where frames are enqueued to the tail of the frame queue and dequeued from the head. A frame queue is represented in QMan by a "frame queue descriptor" (or "FQD"), and these reside in a private system memory resource configured for QMan on initialization. A frame queue is referred to by a "frame queue identifier" (or "FQID"), which is literally the index of that FQD within QMan's memory resource. As such, FQIDs form a global name-space, even in an otherwise virtualized environment, so two entities of software cannot simultaneously use the same FQID for different purposes.

Work Queues

Work queues (or "WQ"s) are uni-directional queues of "scheduled" frame queues. We will see shortly what is meant here by a "scheduled" frame queue, but suffice it to say that QMan supports a fixed collection of work queues, to which QMan appends frame queues when they are due to be serviced. To summarize, multiple FDs can be linked to a single FQ, and multiple FQs can be linked to a single WQ.

Channels

A channel is a fixed, hardware-defined association of 8 work queues, also thought of as "priority work queues". This grouping is convenient in that QMan provides sophisticated prioritization support for dequeuing from entire channels rather than specific work queues. Specifically, the 8 work queues within a channel are divided into 3 tiers according to QMan's "class scheduler" logic - work queues 0 and 1 form the high-priority tier and are treated with a strict priority semantic, work queues 2, 3, and 4 form the medium-priority tier and are treated with a weighted interleaved round-robin semantic, and work queues 5, 6, and 7 form the low-priority tier and are also treated with a weighted interleaved round-robin semantic. Apart from the top-tier, the weighting within and between the other two tiers is programmable.

Portals

A QMan portal is similar in nature to a BMan portal. There are hardware portals (also called "direct connect portals", or "DCP"s) that allow QMan to be used by other hardware blocks, and there are software portals that allow QMan to be used by logically separated units of software. A software portal consists of two subregions of QMan's corenet region, in precisely the same way as with BMan.

Dedicated Portal Channels

Each software portal has its own dedicated channel (of 8 work queues), that only it may dequeue from. As a shorthand, one sometimes says that a frame queue is "scheduled to a portal", when what is really meant is that the frame queue is scheduled to a work queue within that portal's *dedicated channel*. Hardware portals also have their own dedicated channels, though sometimes more than one (FMan blocks have multiple dedicated channels).

Pool Channels

There are also 15 "pool channels" from which any software portal can dequeue - this is typically used for load-balancing or load-spreading.

Portal Subinterfaces

Each portal exposes cache-inhibited and cache-enabled registers that can be read and/or written by software to achieve various ends. With some necessary exceptions, the software interface hides most of these details. However an important conceptual point regarding portals is that they have essentially four decoupled subinterfaces;

- EQCR (Enqueue Command Ring), this is an 8-cache line ring containing commands from software to QMan. These commands perform enqueues of frame descriptors to frame queues.
- DQRR (Dequeue Response Ring), this is a 16-cache line ring containing dequeue processing results from QMan to software. These entries usually contain a frame descriptor (except when the dequeue action produced no valid frame descriptor) as well as status information about the dequeue action, the frame queue being dequeued from, and other context for software's use. This ring is unique in that QMan can be configured to stash new ring entries to processor cache, rather than relying on software to (pre)fetch ring entries into cache explicitly.
- MR (Message Ring), this is an 8-cache line ring containing messages from QMan to software, most notably for enqueue rejection messages and asynchronous retirement processing events. Unlike DQRR, this ring does not support stashing.
- Management commands, consisting of a Command Register (CR) and two Response Register locations (RR0 and RR1), used for issuing a variety of other commands to QMan. EQCR and DQRR (and to a lesser extent, MR) are intended to provide the communications with QMan that represent the fast-path of data processing logic, and the management command interface is where "everything else happens".

Frame queue dequeuing

Enqueuing a frame to a frame queue is an unambiguous mechanism; an enqueue command in the EQCR specifies a frame descriptor and a frame queue ID, and the intention is clear. Dequeuing is more subtle, and falls into two general classes depending on *what* one is dequeuing *from* - these are "scheduled" or "unscheduled" dequeues.

Unscheduled Dequeues

One can dequeue from a specific frame queue, but that frame queue must necessarily be "idle" - or in QMan terminology, "unscheduled". It is an illegal action to attempt to dequeue directly from a frame queue that is in a "scheduled" state. Specifically, unscheduled dequeues require the frame queue to be in the "Parked" or "Retired" state (described in [Section "Frame Queue States"](#)).

Scheduled Dequeues

Conversely, if a frame queue is "scheduled" then, by definition, management of the frame queue is (until further notice) under QMan's control and may at any point change state according to events within QMan or via actions on other software or hardware portals. So a "scheduled dequeue" does not target a specific FQ, but either a specific WQ or collection of channels. QMan processes scheduled dequeue commands within a portal by selecting from among the non-empty WQs, dequeuing an FQ from that selected WQ, and then dequeuing an FD from that FQ.

QMan portals implement two dequeue command modes, "push" and "pull";

Pull Mode

The "pull" mode is the less conventional of the two, as it is driven by software writing a dequeue command to a single cache-inhibited register that will, in response, perform a single instance of that command and publish its result to DQRR. This "pull" command (PDQCR - Pull Dequeue Command Register) could generate anywhere between 1 and 3 DQRR entries, and software must ensure that it does not write a new command to PDQCR until it knows at least one of these DQRR entries has been published (otherwise writing a new command could clobber the previous command before QMan has prepared its execution). The PDQCR command register can perform scheduled and unscheduled dequeues.

Push Mode

The "push" mode is the mode that gives software a familiar "DMA-style" interface, that is, where hardware performs work and fills in a kind of "RX ring" autonomously. In the case of the QMan portal's DQRR subinterface, this push mode is driven by two dequeue command registers, one for scheduled dequeues (SDQCR - Static Dequeue Command Register), and one for unscheduled dequeues (VDQCR - Volatile Dequeue Command Register). The reason for the static/volatile terminology (rather than scheduled/unscheduled), as well as the presence of two command registers instead of one, relates to how QMan schedules execution of the dequeue commands.

Unlike "pull" mode, QMan is not prodded by a write to the command register each time a dequeue command should occur, it must autonomously execute commands when appropriate. So it is clear that scheduled dequeues can only be performed when the targeted work queue or channels have Truly Scheduled frame queues available to dequeue from. Note that this is not an issue with "pull" mode, as a scheduled dequeue command can be issued when there are no available frame queues and QMan will simply publish a DQRR entry containing no frame descriptor to mark completion of the command - for "push" mode, this semantic cannot work. When in "push" mode, the QMan portal has a (possibly NULL) scheduled dequeue command for dequeuing from a selection of available channels. QMan executes this command only when there is matching scheduled dequeue work available on one of the channels - that is, the scheduled dequeue command (for

channels) is *static*. If software writes SDQCR with a command to dequeue from a specific WQ, the command is executed only once (like the pull command), at which point it reverts to the static dequeue command for channels.

For unscheduled dequeues, a single Parked or Retired frame queue is identified for dequeuing, and as QMan does not manipulate the state of such frame queues in reaction to enqueue or dequeue activity (that is, there is no "scheduling"), there is no mechanism for QMan to "know" when this frame queue becomes non-empty some time in the future. So like "pull" mode, unscheduled dequeues must be done when explicitly demanded by software, and as such they must also (a) expire after a configurable number of frame descriptors are dequeued from frame queue or once it is empty, and (b) even if the frame queue is already empty, a DQRR entry with no frame descriptor should be used to notify software that the unscheduled dequeue command has expired. That is, the unscheduled command "goes live" when written and becomes inactive once completed - it is *volatile*. Unlike "pull" mode however, the volatile command can perform more than a single dequeue action, and it can even block or flow-control while active, however it always runs to completion and then stops.

As "push" mode supports two dequeue commands (in fact one of them, SDQCR, encompasses two commands in its own right - it has a persistent channel-dequeue command, and an optional one-shot workqueue-dequeue command can be issued without clobbering it), it is worth pointing out that it can service both at once. The VDQCR command register contains a precedence option that QMan uses to determine whether SDQCR or VDQCR work be favored in the situation where both are active.

Stashing to Processor Cache

When dequeuing frame queues and publishing entries in DQRR, QMan provides stashing features that involve repositioning data in the processor cache. The main benefit of hardware-instigated stashing is that the data will already be in cache when the processor needs it, avoiding the need to explicitly prefetch it in advance or stalling the processor to fetch it on-demand. As we will see, there is another benefit in the specific case of DQRR stashing.

Each portal supports two types of stashing, for which distinct PAMU entries are configured.

DLIODN

The DLIODN setting configures PAMU authorization and/or translation of transactions to stash DQRR ring entries as they are produced by QMan. The stashing of DQRR entries is not just a performance tweak, it changes the way driver software operates the portal. Rather than needing to invalidate and prefetch the DQRR cache lines to see (or poll for) new DQRR entries, software can simply reread the cached version until it "magically changes". The stashing transaction is then the only implied traffic across the corenet bus (reducing bandwidth) and it is initiated by hardware at the first instant at which a software-initiated prefetch could have seen anything new (minimum possible latency).

Note that if the driver does not enable DQRR stashing, then it is a requirement to manipulate the processor cache directly, so its runtime mode of operation must match device configuration. Note also that if DQRR stashing is used, software cannot trust the DQRI interrupt source nor read PI index registers to determine that a new DQRR entry is available, as they may race against the stash transaction. On the other hand, software may use the interrupt source to avoid polling for DQRR production unnecessarily, but it does not guarantee that the first read would show the new DQRR entry.

Note: *P1023 supports DQRR stashing but since it doesn't have Corenet and PAMU, the DLIODN is not applicable to P1023.*

FLIODN

QMan can also stash per-frame-descriptor information, specifically;

1. Frame data, pointed to by the frame descriptor
2. Frame annotations, which are anything prior to the data due to a non-zero offset
3. Frame queue context (for the frame queue from which the frame descriptor was dequeued).

In all cases, the FLIODN setting is used by PAMU to authorize/translate these stashing transactions.

Frame Queue States

Frame queues are managed by QMan via state-transitions, and some of these states are of interest to software. From software's perspective, a simplification of the frame queue states is to group them as follows;

- **Out of service:** the frame queue is not in use and must be initialized. Neither enqueues nor dequeues are permitted.
- **Parked:** the frame queue is initialized and in an idle state. Enqueues are permitted, as are unscheduled dequeues, neither of which change the frame queue's state. Scheduled dequeues will not result in dequeues from parked frame queues, as a parked frame queue is never linked to a work queue.
- **Scheduled:** the frame queue has been scheduled, implying that hardware will modify its state as/when relevant events occur. Enqueues are permitted, but unscheduled dequeues are not. This is not a real state, but actually a set of states that a frame queue moves between - as hardware performs these moves internally, it's useful to treat them as one, because changes between them are asynchronous to software. The real states are;
 - **Tentatively Scheduled:** the frame queue is not linked to a work queue (yet), the frame queue must therefore be empty and no retirement or force-eligible command has been issued against the frame queue.
 - **Truly Scheduled:** the frame queue is linked to a work queue, either because it has become non-empty or a force-eligible command has occurred.
 - **Active:** the frame queue has been selected by a portal for scheduled dequeue and so is removed from the work queue.
 - **Held Active:** the frame queue is still held by the portal after scheduled dequeuing has been performed, it may yet be dequeued from again, depending on scheduling configuration, priorities, and so on.
 - **Held Suspended:** the frame queue is still held by the portal after scheduled dequeuing has been performed but another frame queue has been selected "active" and so no further dequeuing will occur on this frame queue.
- **Retired:** the frame queue is being "closed". A frame queue can be put into the retired state as a means of (a) getting it back under software's control (not under QMan's control nor the control of another hardware block), for example, for closing down "Tx" frame queues, and (b) blocking further enqueues to the frame queue so that it can be drained to empty in a deterministic manner. Enqueues are therefore not permitted in this state. Unscheduled dequeues are permitted, and are the only way to dequeue frames from a frame queue in this state.

See the appropriate QorIQ SoC Reference Manual for more detailed information.

Hold active

The QMan portal subinterfaces are generally decoupled or asynchronous in their operation. For example: The processing of software-produced enqueue commands in EQCR is asynchronous to the processing of dequeue commands into DQRR, and both of these are asynchronous to the production of messages into MR and the processing of management commands.

There is however a specific coupling mechanism between EQCR and DQRR to address a certain class of requirements for data path processing. Consider first that it is possible for multiple portals to dequeue independently from the same data source, for example, for the purposes of load-balancing, or perhaps idle-time processing of low-priority work. This could occur because multiple portals issue unscheduled dequeue commands from the same Parked (or Retired) frame queue, or because they issue scheduled dequeue commands that target the same pool channels (or the same specific work queue within a pool channel). So we describe here the "hold active" mechanisms that help maintain some synchronicity of hardware dequeue processing (and optionally software *post*-processing) on multiple portals/CPUs.

The unscheduled dequeue case is not covered by the mechanisms described here - QMan will correctly handle multiple unscheduled dequeues from the same frame queue, but the "hold active" mechanisms have no affect in this case. For scheduled dequeues however, there are two levels of "hold active" functionality that can be used for software to synchronize multiple portals dequeuing from the same source.

Dequeue Atomicity

As described in the previous section ("Frame queue states"), the Active, Held Active, and Held Suspended states are for frame queues that have been selected by a portal for *scheduled* dequeuing. These states imply that the frame queue has been detached from the work queue that it was previously "scheduled" to, but not yet moved to the Parked state nor rescheduled to the Tentatively Scheduled or Truly Scheduled state after the completion of dequeuing.

Normally, a frame queue is rescheduled by QMan as soon as it is done dequeuing, potentially even before the resulting DQRR entries are visible to software. However, if the frame queue has been configured for "Held active" behavior, then this will not happen - the frame queue will remain in the Held Active or Held Suspended state once QMan has finished dequeuing from it. QMan will only reschedule or park the frame queue once software consumes all DQRR entries that correspond to that frame queue - the default behavior is to reschedule, but this "held" state of the frame queue allows software an opportunity to request that the final action for the frame queue be to park it instead.

A consequence of this mechanism is that if a DQRR entry is seen that corresponds to a frame queue configured for "held active" behavior, software implicitly knows that there can be no other (unconsumed) DQRR entry on any other portal for that same frame queue. (Proof: if there was, the frame queue would be currently "held" in that portal and not in this one.) For an SMP system where each core has its own portal, this would obviate the need to (spin)lock software context related to a frame queue when handling incoming frames - the "lock" is implicitly obtained when the DQRR entry is seen, and it is implicitly released when the DQRR entries are consumed. This is what is meant by "dequeue atomicity".

Parking Scheduled FQs

As noted above in [Section "Dequeue Atomicity"](#), if an FQ is currently "held active" in the portal, software can request that it be move to the Parked state once its final DQRR entry is consumed, rather than rescheduled which is the normal behavior. This is not necessarily limited to FQs that are configured for "hold active" behavior, but can also be applied to regular FQs by issuing a Force Eligible command on them.

Order Preservation and Discrete Consumption Acknowledgment

In addition to the dequeue atomicity feature, it is possible to obtain a stronger property from QMan to aid with data path situations that "spread" incoming data over multiple portals. Specifically, if incoming frames are to be forwarded via subsequent enqueues, then dequeue atomicity does not prevent the forwarded frames from getting out of order. That is, multiple CPUs (using multiple portals) may be using dequeue atomicity in order to write enqueue commands to their EQCR rings before consuming the DQRR entries, and therefore ensuring that EQCR entries are *published* in the same order as the incoming frames. But as there are multiple portals, this does not ensure that QMan will necessarily *process* those EQCR entries in the same order. Indeed if the portals' EQCR rings have significantly varied fill-levels, then there is a reasonable chance that two enqueue commands published in quick succession via different portals could get processed in the opposite order by QMan.

Instead, software can elect to only consume DQRR entries when no forwarding is to be performed on the corresponding frames (for example, when dropping a packet), and for the others, it can encode the EQCR enqueue commands to perform an implicit "Discrete Consumption Acknowledgment" (or "DCA") - the result of which is that QMan will consume the corresponding DQRR entry on software's behalf *once it has finished processing the enqueue command*. This provides a cross-portal, order preservation semantic from end-to-end (from dequeue to enqueue) using hardware assists.

Note, QMan has other functionality called Order Restoration that is completely unrelated to the above - Order Restoration is a mechanism to restore frames into their intended order once they are allowed to get out of order, using sequence numbers and "reassembly windows" within QMan, see [Section "Order Restoration"](#). The above "hold active" mechanisms are to prevent frames from getting out of order in the first place.

Enqueue Rejections

Enqueues may be rejected, immediately or after any delay due to order restoration, and the enqueue mechanisms themselves do not provide any meaningful way to convey the rejection event to the software portal. For this reason, Enqueue Rejection Notifications (ERNs) are messages received on a message ring that carry frames that did not successfully enqueue together with the reason for their rejection.

Order Restoration

Frame queue descriptors can serve one or both of two complimentary purposes. A small subset of fields in the FQDs is used to implement an "Order Restoration Point", which allows an FQD to act as a reassembly window for out-of-sequence enqueues. FQDs also contain a sequence number field that generates increasing sequence numbers for all frames dequeued from the FQ. This dequeue activity sequence number is also called an "Order Definition Point". The idea is that frames dequeued from a given FQ (ODP) may get out-of-sequence during processing before they're enqueued onto an egress FQ, so the enqueue function allows one to not only specify the destination FQD, but also an ORP that the enqueue command should first pass through - which might hold up the intended enqueue until other, missing, sequence elements are enqueued. That is, an ORP-enabled enqueue command requires 2 FQID parameters, which need not necessarily be the same - indeed in many networking examples, the RX FQ serves as both the ODP and the ORP when enqueueing to the Tx FQ. To see why this choice of ORP FQ makes sense, consider that many RX flows may need to be order-restored independently, even if all of them are ultimately enqueued to the same destination Tx FQ. It's also possible to enqueue using software-generated sequence numbers, that is, without any FQ dequeue activity acting as an ODP. An ODP is any source of sequence numbers starting at zero and wrapping to zero at $0x3fff$ ($2^{14}-1$).

ORP-enabled enqueue functions provide various features, such as filling in missing sequence numbers (for example, when dropping frames), advancing the "Next Expected Sequence Number" despite missing frames (that may or may not show up later), and so on. These features are options in the enqueue interfaces, for example, see [Section "Enqueue Command \(without ORP\)"](#), specifically the `qman_enqueue_orp()` API.

There are also numerous options that can be set in ORP-enabled FQDs, and these are achieved via the same functions that allow you to manipulate FQDs for any other purpose. For example, see [Section "Frame queue management"](#), specifically the `qman_init_fq()` API. Care should be taken when using an FQD as both an FQ and an ORP - in particular, an FQD cannot be retired and put out-of-service while the ORP component of the descriptor is still in use, and vice versa.

7.2.3.2.4.2 QMan configuration interface

The QMan configuration interface is an encapsulation of the QMan CCSR register space and the global/error interrupt source. Whereas QMan portals provide independent channels for accessing QMan functionality, the configuration interface represents the QMan device itself. The QMan configuration interface is presently limited to the device-tree node that represents it.

QMan device-tree node

The QMan device tree node represents the QMan device and its CCSR configuration space (as distinct from its corenet portals). When a Linux kernel has QMan control support built in, it will react to this device tree node by

configuring and managing the QMan device. The device-tree node sits within the CCSR node ("soc") and is of the following form.

```
soc@fe000000 {
    [...]
    qman: qman@318000 {
        compatible = "fsl,qman";
        reg = <0x318000 0x1000>;
        fsl,qman-fqd = <0x0 0x22000000 0x0 0x00200000>;
        fsl,qman-pfdr = <0x0 0x21000000 0x0 0x01000000>;
        fsl,liodn = <0x1f>;
    };
    [...]
};
```

'compatible' and 'reg' are standard ePAPR properties.

Frame Queue Descriptors

This property configures the memory used by QMan for storing frame queue descriptors. Each FQD occupies a 64-byte cache line of memory, so as the above example configures 2 MB for FQD memory, the valid range of FQIDs is [1...32767];

```
fsl,qman-fqd = <0x0 0x22000000 0x0 0x00200000>;
```

The treatment and alignment requirements of this property are the same as in [Section "Free Buffer Proxy Records"](#).

Packed Frame Descriptor Records

This property configures the memory used by QMan for storing Packed Frame Descriptor Records. Each PFDR occupies a 64-byte cache line of memory, and can hold 3 Frame Descriptors. QMan maintains an onboard cache for holding recently enqueued (and/or soon to be dequeued) frames, and in responsive systems that remain within their operating capacity (that is, no spikes) it can often be unnecessary for frames to ever be stored in system memory at all. However, to handle spikes or buffering, a storage density of 3 enqueued frames per-cache line can be used for estimating a suitable allocation of memory to QMan for PFDRs. In the case of handling ERNs (for example, if congestion controls exist elsewhere than on an ingress network interface), then a storage density of 1 ERN per-cache line should be used. The above example configures 16 MB for PFDR memory (786,432 enqueued frames, or 262,144 ERNs);

```
fsl,qman-pfdr = <0x0 0x21000000 0x0 0x01000000>;
```

The treatment and alignment requirements of this property are the same as in [Section "Free Buffer Proxy Records"](#).

Logical I/O Device Number (QMan)

This property is the same as described in [Section "Logical I/O Device Number \(BMan\)"](#), but for use by QMan when accessing FQD and PFDR memory (rather than BMan's FBPR memory).

QMan pool channel device-tree node

Each QMan software portal has its own dedicated channel of work queues. QMan also provides "pool channels" that all software portals can optionally dequeue from - this is described in [Section "Portals"](#). The device-tree should declare pool channels using device-tree nodes as follows;

```
qman-pool@1 {
    compatible = "fsl,qman-pool-channel";
    cell-index = <0x1>;
    fsl,qman-channel-id = <0x21>;
};
```

Channel ID

When FQs are initialized for scheduling, the target work queue is identified by the channel id (a hardware-assigned identifier) and by one of the 8 priority levels within that channel. Channel ids are hardware constants, as conveyed by this device-tree property;

```
fsl,qman-channel-id = <0x21>;
```

QMan portal device-tree node

The QMan Corenet portal interface in P4080 provides up to 10 distinct memory-mapped interfaces for use by software to interact efficiently with QMan functionality. These are described in [Section "Portals"](#) and [Section "Portal Subinterfaces"](#). Refer to the appropriate SoC reference manuals for non-P4080 specifications.

The QMan driver determines the available corenet portals from the device tree. The portal nodes are at the physical address scope (unlike the device-tree node for the BMan device itself, which is within the "soc" physical address node that represents CCSR). These nodes indicate the physical address ranges of the cache-enabled and cache-inhibited subregions of the portal (respectively), and look something like the following;

```
qman-portal@c000 {
    compatible = "fsl,qman-portal";
    reg = <0xf420c000 0x4000 0xf4303000 0x1000>;
    interrupts = <0x6e 2>;
    interrupt-parent = <&mpic>;
    cell-index = <0x3>;
    fsl,qman-channel-id = <0x3>;
    fsl,liodn = <0x7 0x8>;
};
```

As with BMan portal nodes, the "cpu-handle" property is used to express an affinity/association between the given QMan portal and the CPU represented by the referenced device-tree node. Unlike BMan however, the "cpu-handle" property is also used by PAMU configuration, to determine which CPU's L1 or L2 cache should receive stashing transactions emanating from this portal. The "fsl,qman-channel-id" property is already documented in [Section "Channel ID"](#), the other QMan-specific portal properties are described below.

Portal Access to Pool Channels

In P4080, P3041, P5020 hardware, all software portals can dequeue from any/all pool channels. Nonetheless, the portal device-tree nodes allow the architect to specify this and optionally limit the range of pool channels a given portal can dequeue from. This can be particularly useful when partitioning multiple guest operating

systems, it essentially allows the architect to partition the use of pool channels as they partition the use of portals. In the above example, the portal is only able to dequeue from 2 pool channels;

```
fsl,qman-pool-channels = <&qpool1 &qpool2>;
```

Stashing Logical I/O Device Number

This property, when used in QMan portal nodes, declares two LIODN values for use by QMan when performing dequeue stashing to processor cache. These are documented in [Section "Stashing to Processor Cache"](#). This property is filled in automatically by U-Boot, and if hypervisor is in use then it will fill in this property for guest device-trees also. PAMU drivers (linux-native or within the hypervisor) will configure the settings for these LIODNs according to the CPU that stashing should be directed toward, as per the `cpu-handle` property;

```
fsl,liodn = <0x7 0x8>;  
cpu-handle = <&cpu3>;
```

Portal Initialization (QMan)

The driver is informed of the QMan portals that are available to it via the device-tree passed to the system from the boot process. For those portals that aren't reserved for USDPAA usage via the `"fsl,usdpaa-portal"` property, it will automatically create TLB entries to map the QMan portal corenet subregions as `cpu-addressable` and `cache-inhibited` or `cache-enabled` as appropriate.

As with the BMan driver, the QMan driver will automatically associate initialized QMan portals with the CPU to which they are configured, only one a one-per-CPU basis (if multiple portals are configured for the same CPU, only one is used). See [Section "Portal sharing"](#) for an explanation of this behavior in the BMan documentation, the QMan behavior is identical.

Auto-initialization

Similar to the BMan driver, by default, the QMan driver automatically initializes QMan portals as they are parsed out of the device-tree. See [Section "Portal sharing"](#) for an explanation of this behavior in the BMan documentation. The QMan behavior is identical.

7.2.3.2.5 QMan portal APIs

The following sections describe interfaces provided by the QMan driver for manipulating portals. These are defined in [Section "QMan portal device-tree node"](#), and described in [Section "Portals"](#) and [Section "Portal Subinterfaces"](#).

Note, unlike the BMan documentation, we will not include many of the QMan-related data structures within this documentation as they are significantly more elaborate. It is presumed the reader will consult the corresponding header files for structure data details that aren't sufficiently described here.

7.2.3.2.5.1 QMan High-Level Portal Interface

Overview (QMan)

The high-level portal interface provides management and encapsulation of a portal hardware interface. The operations performed on the "portal" are coordinated internally, hiding the user from the I/O semantics, and allowing multiple users/contexts to share portals without collaboration between them. This interface also provides an object representation for congestion group records (CGRs), with optional assists for cases where the user wishes to track congestion entry and exit events, for example, to apply back-pressure on the affected

frame queues, and so on. There is also an object representation for frame queues that internally coordinates FQ operations, demuxes incoming dequeued frames and messages to the corresponding owner's callbacks, and interprets hardware-provided indications of changes to FQ state.

This interface provides locking and arbitration of portal operations from multiple software contexts and/or threads (that is, the portal is shared). In cases where a resource is busy, the interface also gives callers the option of blocking/sleeping until the resource is available (and in the case of volatile dequeue commands, the caller may also optionally sleep until the volatile dequeue command has finished). In any case where sleeping is an option, the caller can also specify whether the sleep should be interruptible.

Note: *Support for blocking/sleeping is limited to Linux, it is not available on run-to-completion systems such as USDPAA.*

The demux logic within the portal interface assumes ownership of the "contextB" field of frame queue descriptors (FQDs), so users of this interface cannot modify this field. However, callers provide the cache line of memory to be used within the driver for each FQ object when calling `qman_create_fq()`, so they can extend this structure into adjacent cache lines with their own data and use this instead of contextB for their own purposes. That is, when callbacks are invoked because of dequeued frames, enqueue rejections, or retirement notifications, those callbacks will find their custom per-FQ data adjacent to the FQ object pointer they are passed. Moreover, if context-stashing is enabled for the portal and the FQD is configured to stash 1 or more cache lines of context, the QMan driver's demux function will be implicitly accelerated because the FQ object will be prefetched into processor cache. Any adjacent data that is covered by the FQ's stashing configuration could likewise lead to acceleration of the owner's dequeue callbacks, that is, by reducing or eliminating cache misses in fast-path processing.

Frame and Message Handling

When DQRR or MR ring entries are produced by hardware to software, callbacks that have been provided by the API user are invoked to allow those entries to be handled prior to the driver consuming them. These callbacks are provided in the 'qman_fq_cb' structure type.

```
struct qman_fq_cb {
    qman_cb_dqrr dqrr; /* for dequeued frames */
    qman_cb_mr ern;    /* for software ERNs */
    qman_cb_mr dc_ern; /* for diverted hardware ERNs */
    qman_cb_mr fqr;    /* retirement messages */
};
typedef enum qman_cb_dqrr_result (*qman_cb_dqrr)(struct qman_portal *qm,
                                                struct qman_fq *fq, const struct qm_dqrr_entry
                                                *dqrr);
typedef void (*qman_cb_mr)(struct qman_portal *qm, struct qman_fq *fq,
                           const struct qm_mr_entry *msg);
enum qman_cb_dqrr_result {
    /* DQRR entry can be consumed */
    qman_cb_dqrr_consume,
    /* Like _consume, but requests parking - FQ must be held-active */
    qman_cb_dqrr_park,
    /* Does not consume, for DCA mode only. This allows out-of-order
     * consumes by explicit calls to qman_dca() and/or the use of implicit
     * DCA via EQCR entries. */
    qman_cb_dqrr_defer
};
```

Portal management (QMan)

The portal management API provides `qman_affine_cpus()`, which returns a mask that indicates which CPUs have auto-initialized portals associated with them. See [Section "QMan portal device-tree node"](#). All other QMan

API functions must be executed on CPUs contained within this mask, and any interactions they require with h/w will be performed on the corresponding portals.

```
/**
 * qman_affine_cpus - return a mask of cpus that have portal access
 */
const cpumask_t *qman_affine_cpus(void);
```

Modifying interrupt-driven portal duties (QMan)

Portals have various servicing duties they must perform in reaction to hardware events. The portal management API allows applications to control which of these duties/events are triggered by interrupt-handling versus those which are performed at the application's explicit request via `qman_poll()` (or more specifically, via `qman_poll_dqrr()` and `qman_poll_slow()`). If portal-sharing is in effect (see [Section "Portal sharing"](#)), these APIs won't succeed when called from a slave CPU.

```
#define QM_PIRQ_CSCI      0x00100000    /* Congestion State Change */
#define QM_PIRQ_EQCI     0x00080000    /* Enqueue Command Committed */
#define QM_PIRQ_EQRI     0x00040000    /* EQCR Ring (below threshold) */
#define QM_PIRQ_DQRI     0x00020000    /* DQRR Ring (non-empty) */
#define QM_PIRQ_MRI      0x00010000    /* MR Ring (non-empty) */
#define QM_PIRQ_SLOW     (QM_PIRQ_CSCI | QM_PIRQ_EQCI | QM_PIRQ_EQRI | \
                          QM_PIRQ_MRI)

/**
 * qman_irqsource_get - return the portal work that is interrupt-driven
 *
 * Returns a bitmask of QM_PIRQ_**I processing sources that are currently
 * enabled for interrupt handling on the current cpu's affine portal. These
 * sources will trigger the portal interrupt and the interrupt handler (or a
 * tasklet/bottom-half it defers to) will perform the corresponding processing
 * work. The qman_poll_***() functions will only process sources that are not in
 * this bitmask. If the current CPU is sharing a portal hosted on another CPU,
 * this always returns zero.
 */
u32 qman_irqsource_get(void);

/**
 * qman_irqsource_add - add processing sources to be interrupt-driven
 * @bits: bitmask of QM_PIRQ_**I processing sources
 *
 * Adds processing sources that should be interrupt-driven (rather than
 * processed via qman_poll_***() functions). Returns zero for success, or
 * -EINVAL if the current CPU is sharing a portal hosted on another CPU.
 */
int qman_irqsource_add(u32 bits);

/**
 * qman_irqsource_remove - remove processing sources from being interrupt-driven
 * @bits: bitmask of QM_PIRQ_**I processing sources
 *
 * Removes processing sources from being interrupt-driven, so that they will
 * instead be processed via qman_poll_***() functions. Returns zero for success,
 * or -EINVAL if the current CPU is sharing a portal hosted on another CPU.
 */
int qman_irqsource_remove(u32 bits);
```

Processing non-interrupt-driven portal duties (QMan)

If portal-sharing is in effect (see [Section "Portal sharing"](#)), these APIs won't succeed when called from a slave CPU.

```
/**
 * qman_poll_dqrr - process DQRR (fast-path) entries
 * @limit: the maximum number of DQRR entries to process
 *
 * Use of this function requires that DQRR processing not be interrupt-driven.
 * Ie. the value returned by qman_irqsource_get() should not include
 * QM_PIRQ_DQRI. If the current CPU is sharing a portal hosted on another CPU,
 * this function will return -EINVAL, otherwise the return value is >=0 and
 * represents the number of DQRR entries processed.
 */
int qman_poll_dqrr(unsigned int limit);
/**
QMan Portal APIs
QMan, BMan API RM, Rev. 0.13
6-34 NXP Confidential Proprietary NXP Semiconductors
Preliminary-Subject to Change Without Notice
 * qman_poll_slow - process anything (except DQRR) that isn't interrupt-driven.
 *
 * This function does any portal processing that isn't interrupt-driven. If the
 * current CPU is sharing a portal hosted on another CPU, this function will
 * return -EINVAL, otherwise returns zero for success.
 */
void qman_poll_slow(void);
/**
 * qman_poll - legacy wrapper for qman_poll_dqrr() and qman_poll_slow()
 *
 * Dispatcher logic on a cpu can use this to trigger any maintenance of the
 * affine portal. There are two classes of portal processing in question;
 * fast-path (which involves demuxing dequeue ring (DQRR) entries and tracking
 * enqueue ring (EQCR) consumption), and slow-path (which involves EQCR
 * thresholds, congestion state changes, etc). This function does whatever
 * processing is not triggered by interrupts.
 *
 * Note, if DQRR and some slow-path processing are poll-driven (rather than
 * interrupt-driven) then this function uses a heuristic to determine how often
 * to run slow-path processing - as slow-path processing introduces at least a
 * minimum latency each time it is run, whereas fast-path (DQRR) processing is
 * close to zero-cost if there is no work to be done. Applications can tune this
 * behavior themselves by using qman_poll_dqrr() and qman_poll_slow() directly
 * rather than going via this wrapper.
 */
void qman_poll(void);
```

Recovery support (QMan)

Note that the following functions require the QMan portal to have been initialized in "recovery mode", which is not possible with the current release. As such, these functions are for future use only (and documented here only because they're declared in the API header).

```
/**
 * qman_recovery_cleanup_fq - in recovery mode, cleanup a FQ of unknown state
 */
int qman_recovery_cleanup_fq(u32 fqid);
```

```
/**
 * qman_recovery_exit - leave recovery mode
 */
int qman_recovery_exit(void);
```

Stopping and restarting dequeues to the portal

```
/**
 * qman_stop_dequeues - Stop h/w dequeuing to the s/w portal
 *
 * Disables DQRR processing of the portal. This is reference-counted, so
 * qman_start_dequeues() must be called as many times as qman_stop_dequeues() to
 * truly re-enable dequeuing.
 */
void qman_stop_dequeues(void);
/**
 * qman_start_dequeues - (Re)start h/w dequeuing to the s/w portal
 *
 * Enables DQRR processing of the portal. This is reference-counted, so
 * qman_start_dequeues() must be called as many times as qman_stop_dequeues() to
 * truly re-enable dequeuing.
 */
void qman_start_dequeues(void);
```

Manipulating the portal static dequeue command

```
/**
 * qman_static_dequeue_add - Add pool channels to the portal SDQCR
 * @pools: bit-mask of pool channels, using QM_SDQCR_CHANNELS_POOL(n)
 *
 * Adds a set of pool channels to the portal's static dequeue command register
 * (SDQCR). The requested pools are limited to those the portal has dequeue
 * access to.
 */
void qman_static_dequeue_add(u32 pools);
/**
 * qman_static_dequeue_del - Remove pool channels from the portal SDQCR
 * @pools: bit-mask of pool channels, using QM_SDQCR_CHANNELS_POOL(n)
 *
 * Removes a set of pool channels from the portal's static dequeue command
 * register (SDQCR). The requested pools are limited to those the portal has
 * dequeue access to.
 */
void qman_static_dequeue_del(u32 pools);
/**
 * qman_static_dequeue_get - return the portal's current SDQCR
 *
 * Returns the portal's current static dequeue command register (SDQCR). The
 * entire register is returned, so if only the currently-enabled pool channels
 * are desired, mask the return value with QM_SDQCR_CHANNELS_POOL_MASK.
 */
u32 qman_static_dequeue_get(void);
```


Determining if the enqueue ring is empty

```
/**
 * qman_eqcr_is_empty - Determine if portal's EQCR is empty
 *
 * For use in situations where a cpu-affine caller needs to determine when all
 * enqueues for the local portal have been processed by QMan but can't use the
 * QMAN_ENQUEUE_FLAG_WAIT_SYNC flag to do this from the final qman_enqueue().
 * The function forces tracking of EQCR consumption (which normally doesn't
 * happen until enqueue processing needs to find space to put new enqueue
 * commands), and returns zero if the ring still has unprocessed entries,
 * non-zero if it is empty.
 */
int qman_eqcr_is_empty(void);
```

Frame queue management

Frame queue objects are stored in memory provided by the caller, which makes the API for this object representation a little peculiar at first sight. The motivating factors are memory management and stashing of frame queue context. Another factor is that frame queue objects are the only objects in the QMan (or BMan) high-level interfaces that are essentially arbitrary in number, so having the caller provide storage relieves the driver of having to know the best allocation scheme for all applications.

The `qman_create_fq()` API creates a new frame queue object, using the caller-supplied storage, and in which the caller has already configured the callback functions to be used for handling hardware-produced data - namely, DQRR entries and MR entries, the latter divided according to the type of message (software-enqueue rejections, hardware-enqueue rejections, or frame queue state changes).

```
#define QMAN_FQ_FLAG_NO_ENQUEUE 0x00000001 /* can't enqueue */
#define QMAN_FQ_FLAG_NO_MODIFY 0x00000002 /* can only enqueue */
#define QMAN_FQ_FLAG_TO_DCPORTAL 0x00000004 /* consumed by CAAM/PME/FMan */
#define QMAN_FQ_FLAG_LOCKED 0x00000008 /* multi-core locking */
#define QMAN_FQ_FLAG_AS_I 0x00000010 /* query h/w state */
#define QMAN_FQ_FLAG_DYNAMIC_FQID 0x00000020 /* (de)allocate fqid */
struct qman_fq {
    /* Caller of qman_create_fq() provides these demux callbacks */
    struct qman_fq_cb {
        qman_cb_dqrr dqrr; /* for dequeued frames */
        qman_cb_mr_ern; /* for s/w ERNs */
        qman_cb_mr_dc_ern; /* for diverted h/w ERNs */
        qman_cb_mr_fqs; /* frame-queue state changes*/
    } cb;
    /* Internal to the driver, don't touch. */
    [...]
};
/**
 * qman_create_fq - Allocates a FQ
 * @fqid: the index of the FQD to encapsulate, must be "Out of Service"
 * @flags: bit-mask of QMAN_FQ_FLAG_*** options
 * @fq: memory for storing the 'fq', with callbacks filled in
 *
 * Creates a frame queue object for the given @fqid, unless the
 * QMAN_FQ_FLAG_DYNAMIC_FQID flag is set in @flags, in which case a FQID is
 * dynamically allocated (or the function fails if none are available). Once
 * created, the caller should not touch the memory at 'fq' except as extended to
 * adjacent memory for user-defined fields (see the definition of "struct
 * qman_fq" for more info). NO_MODIFY is only intended for enqueueing to
 * pre-existing frame-queues that aren't to be otherwise interfered with, it
```

```

* prevents all other modifications to the frame queue. The TO_DCPORTAL flag
* causes the driver to honour any contextB modifications requested in the
* qm_init_fq() API, as this indicates the frame queue will be consumed by a
* direct-connect portal (PME, CAAM, or FMan). When frame queues are consumed by
* software portals, the contextB field is controlled by the driver and can't be
* modified by the caller. If the AS_SI flag is specified, management commands
* will be used on portal @p to query state for frame queue @fqid and construct
* a frame queue object based on that, rather than assuming/requiring that it be
* Out of Service.
*/
int qman_create_fq(u32 fqid, u32 flags, struct qman_fq *fq);
#define QMAN_FQ_DESTROY_PARKED 0x00000001 /* FQ can be parked or OOS */
/**
 * qman_destroy_fq - Deallocates a FQ
 * @fq: the frame queue object to release
 * @flags: bit-mask of QMAN_FQ_DESTROY_*** options
 *
 * The memory for this frame queue object ('fq' provided in qman_create_fq()) is
 * not deallocated but the caller regains ownership, to do with as desired. The
 * FQ must be in the 'out-of-service' state unless the QMAN_FQ_DESTROY_PARKED
 * flag is specified, in which case it may also be in the 'parked' state.
 */
void qman_destroy_fq(struct qman_fq *fq, u32 flags);

```

Querying an FQ object

The following functions do not interact with h/w, they simply return the state that the QMan driver tracks within the FQ object.

```

/** * qman_fq_fqid - Queries the frame queue ID of a FQ object * @fq: the
frame queue object to query */ u32 qman_fq_fqid(struct qman_fq *fq); enum
qman_fq_state { qman_fq_state_oos, qman_fq_state_parked, qman_fq_state_sched,
qman_fq_state_retired }; #define QMAN_FQ_STATE_CHANGING 0x80000000 /* 'state'
is changing */ #define QMAN_FQ_STATE_NE 0x40000000 /* retired FQ isn't empty
*/ #define QMAN_FQ_STATE_ORL 0x20000000 /* retired FQ has ORL */ #define
QMAN_FQ_STATE_BLOCKOOS 0xe0000000 /* if any are set, no OOS */ #define
QMAN_FQ_STATE_CGR_EN 0x10000000 /* CGR enabled */ /** * qman_fq_state - Queries
the state of a FQ object * @fq: the frame queue object to query * @state:
pointer to state enum to return the FQ scheduling state * @flags: pointer
to state flags to receive QMAN_FQ_STATE_*** bitmask * * Queries the state
of the FQ object, without performing any h/w commands. * This captures the
state, as seen by the driver, at the time the function * executes. */ void
qman_fq_state(struct qman_fq *fq, enum qman_fq_state *state, u32 *flags);

```

Initialize an FQ

The `qm_init_fq()` API requires that the caller fill in the details of the Initialize FQ command that they desire, and uses the 'struct qm_mcc_initfq' structure type to this end. This structure is quite elaborate, consult the API header file and SDK examples for more information.

```

#define QMAN_INITFQ_FLAG_SCHED 0x00000001 /* schedule rather than park */
#define QMAN_INITFQ_FLAG_NULL 0x00000002 /* zero 'contextB', no demux */
#define QMAN_INITFQ_FLAG_LOCAL 0x00000004 /* set dest portal */
/**
 * qman_init_fq - Initialises FQ fields, leaves the FQ "parked" or "scheduled"
 * @fq: the frame queue object to modify, must be 'parked' or new.
 * @flags: bit-mask of QMAN_INITFQ_FLAG_*** options

```

```

* @opts: the FQ-modification settings, as defined in the low-level API
*
* @opts: the FQ-modification settings
*
* Select QMAN_INITFQ_FLAG_SCHED in @flags to cause the frame queue to be
* scheduled rather than parked. Select QMAN_INITFQ_FLAG_NULL in @flags to
* configure a frame queue that will not demux to a 'struct qman_fq' object when
* dequeued frames or messages arrive at a software portal, but which will
* instead trigger the portal's 'null_cb' callbacks (see qman_create_portal()).
* NB, @opts can be NULL.
*
* Note that some fields and options within @opts may be ignored or overwritten
* by the driver;
* 1. the 'count' and 'fqid' fields are always ignored (this operation only
* affects one frame queue: @fq).
* 2. the QM_INITFQ_WE_CONTEXTB option of the 'we_mask' field and the associated
* 'fqd' structure's 'context_b' field are sometimes overwritten;
*   - if @flags contains QMAN_INITFQ_FLAG_NULL, then context_b is initialized
*     to zero by the driver,
*   - if @fq was not created with QMAN_FQ_FLAG_TO_DCPORTAL, then context_b is
*     initialized to a value used by the driver for demux.
*   - if context_b is initialized for demux, so is context_a in case stashing
*     is requested (see item 4).
* (So caller control of context_b is only possible for TO_DCPORTAL frame queue
* objects.)
* 3. if @flags contains QMAN_INITFQ_FLAG_LOCAL, the 'fqd' structure's
* 'dest::channel' field will be overwritten to match the portal used to issue
* the command. If the WE_DESTWQ write-enable bit had already been set by the
* caller, the channel workqueue will be left as-is, otherwise the write-enable
* bit is set and the workqueue is set to a default of 4. If the "LOCAL" flag
* isn't set, the destination channel/workqueue fields and the write-enable bit
* are left as-is.
* 4. if the driver overwrites context_a/b for demux, then if
* QM_INITFQ_WE_CONTEXTA is set, the driver will only overwrite
* context_a.address fields and will leave the stashing fields provided by the
* user alone, otherwise it will zero out the context_a.stashing fields.
*/
int qman_init_fq(struct qman_fq *fq, u32 flags, struct qm_mcc_initfq *opts);

```

Schedule an FQ

```

/** * qman_schedule_fq - Schedules a FQ * @fq: the frame queue object to
schedule, must be 'parked' * * Schedules the frame queue, which must be Parked,
which takes it to * Tentatively-Scheduled or Truly-Scheduled depending on its
fill-level. */ int qman_schedule_fq(struct qman_fq *fq);

```

Retire an FQ

```

/** * qman_retire_fq - Retires a FQ * @fq: the frame queue object to retire *
@flags: FQ flags (as per qman_fq_state) if retirement completes immediately * *
Retires the frame queue. This returns zero if it succeeds immediately, +1 if *
the retirement was started asynchronously, otherwise it returns negative for *
failure. When this function returns zero, @flags is set to indicate whether *
the retired FQ is empty and/or whether it has any ORL fragments (to show up *
as ERNs). Otherwise the corresponding flags will be known when a subsequent *
FQRN message shows up on the portal's message ring. * * NB, if the retirement
is asynchronous (the FQ was in the Truly Scheduled or * Active state), the

```

```
completion will be via the message ring as a FQRN - but * the corresponding
callback may occur before this function returns!! Ie. the * caller should be
prepared to accept the callback as the function is called, * not only once it
has returned. */ int qman_retire_fq(struct qman_fq *fq, u32 *flags);
```

Put an FQ out of service

```
/** * qman_oos_fq - Puts a FQ "out of service" * @fq: the frame queue object to
be put out-of-service, must be 'retired' * * The frame queue must be retired
and empty, and if any order restoration list * was released as ERNs at the time
of retirement, they must all be consumed. */ int qman_oos_fq(struct qman_fq
*fq);
```

Query an FQD from QMan

The following functions perform query commands via the QMan software portal to obtain information about the FQD corresponding to the given FQ object. The data structures used by the query are quite elaborate, consult the API header file and SDK examples for more information.

```
/**
 * qman_query_fq - Queries FQD fields (via h/w query command)
 * @fq: the frame queue object to be queried
 * @fqd: storage for the queried FQD fields
 */
int qman_query_fq(struct qman_fq *fq, struct qm_fqd *fqd);
/**
 * qman_query_fq_np - Queries non-programmable FQD fields
 * @fq: the frame queue object to be queried
 * @np: storage for the queried FQD fields
 */
int qman_query_fq_np(struct qman_fq *fq, struct qm_mcr_queryfq_np *np);
```

Unscheduled (volatile) dequeuing of an FQ

```
#define QMAN_VOLATILE_FLAG_WAIT      0x00000001 /* wait if VDQCR is in use */
#define QMAN_VOLATILE_FLAG_WAIT_INT 0x00000002 /* if wait, interruptible? */
#define QMAN_VOLATILE_FLAG_FINISH    0x00000004 /* wait till VDQCR completes */
/**
 * qman_volatile_dequeue - Issue a volatile dequeue command
 * @fq: the frame queue object to dequeue from (or NULL)
 * @flags: a bit-mask of QMAN_VOLATILE_FLAG_*** options
 * @vdqcr: bit mask of QM_VDQCR_*** options, as per qm_dqrr_vdqcr_set()
 *
 * Attempts to lock access to the portal's VDQCR volatile dequeue functionality.
 * The function will block and sleep if QMAN_VOLATILE_FLAG_WAIT is specified and
 * the VDQCR is already in use, otherwise returns non-zero for failure. If
 * QMAN_VOLATILE_FLAG_FINISH is specified, the function will only return once
 * the VDQCR command has finished executing (ie. once the callback for the last
 * DQRR entry resulting from the VDQCR command has been called). If @fq is
 * non-NULL, the corresponding FQID will be substituted in to the VDQCR command,
 * otherwise it is assumed that @vdqcr already contains the FQID to dequeue
 * from.
 */
int qman_volatile_dequeue(struct qman_fq *fq, u32 flags, u32 vdqcr)
```

Set FQ flow control state

```

/**
 * qman_fq_flow_control - Set the XON/XOFF state of a FQ
 * @fq: the frame queue object to be set to XON/XOFF state, must not be 'oos',
 * or 'retired' or 'parked' state
 * @xon: boolean to set fq in XON or XOFF state
 *
 * The frame should be in Tentatively Scheduled state or Truly Schedule sate,
 * otherwise the IFSI interrupt will be asserted.
 */
int qman_fq_flow_control(struct qman_fq *fq, int xon);

```

Enqueue Command (without ORP)

```

#define QMAN_ENQUEUE_FLAG_WAIT 0x00010000 /* wait if EQCR is full */
#define QMAN_ENQUEUE_FLAG_WAIT_INT 0x00020000 /* if wait, interruptible? */
#define QMAN_ENQUEUE_FLAG_WAIT_SYNC 0x00000004 /* if wait, until consumed? */
#define QMAN_ENQUEUE_FLAG_WATCH_CGR 0x00080000 /* watch congestion state */
#define QMAN_ENQUEUE_FLAG_DCA 0x00008000 /* perform enqueue-DCA */
#define QMAN_ENQUEUE_FLAG_DCA_PARK 0x00004000 /* If DCA, requests park */
#define QMAN_ENQUEUE_FLAG_DCA_PTR(p) /* If DCA, p is DQRR entry */ \
    (((u32)(p) << 2) & 0x00000f00)
#define QMAN_ENQUEUE_FLAG_C_GREEN 0x00000000 /* choose one C_*** flag */
#define QMAN_ENQUEUE_FLAG_C_YELLOW 0x00000008
#define QMAN_ENQUEUE_FLAG_C_RED 0x00000010
#define QMAN_ENQUEUE_FLAG_C_OVERRIDE 0x00000018
/**
 * qman_enqueue - Enqueue a frame to a frame queue
 * @fq: the frame queue object to enqueue to
 * @fd: a descriptor of the frame to be enqueued
 * @flags: bit-mask of QMAN_ENQUEUE_FLAG_*** options
 *
 * Fills an entry in the EQCR of portal @qm to enqueue the frame described by
 * @fd. The descriptor details are copied from @fd to the EQCR entry, the 'pid'
 * field is ignored. The return value is non-zero on error, such as ring full
 * (and FLAG_WAIT not specified), congestion avoidance (FLAG_WATCH_CGR
 * specified), etc. If the ring is full and FLAG_WAIT is specified, this
 * function will block. If FLAG_INTERRUPT is set, the EQCI bit of the portal
 * interrupt will assert when QMan consumes the EQCR entry (subject to "status
 * disable", "enable", and "inhibit" registers). If FLAG_DCA is set, QMan will
 * perform an implied "discrete consumption acknowledgement" on the dequeue
 * ring's (DQRR) entry, at the ring index specified by the FLAG_DCA_IDX(x)
 * macro. (As an alternative to issuing explicit DCA actions on DQRR entries,
 * this implicit DCA can delay the release of a "held active" frame queue
 * corresponding to a DQRR entry until QMan consumes the EQCR entry - providing
 * order-preservation semantics in packet-forwarding scenarios.) If FLAG_DCA is
 * set, then FLAG_DCA_PARK can also be set to imply that the DQRR consumption
 * acknowledgement should "park request" the "held active" frame queue. Ie.
 * when the portal eventually releases that frame queue, it will be left in the
 * Parked state rather than Tentatively Scheduled or Truly Scheduled. If the
 * portal is watching congestion groups, the QMAN_ENQUEUE_FLAG_WATCH_CGR flag
 * is requested, and the FQ is a member of a congestion group, then this
 * function returns -EAGAIN if the congestion group is currently congested.
 * Note, this does not eliminate ERNs, as the async interface means we can be
 * sending enqueue commands to an un-congested FQ that becomes congested before
 * the enqueue commands are processed, but it does minimise needless thrashing
 * of an already busy hardware resource by throttling many of the to-be-dropped

```

```

* enqueues "at the source".
*/
int qman_enqueue(struct qman_fq *fq, const struct qm_fd *fd, u32 flags);

```

Enqueue Command with ORP

```

/* Same flags as qman_enqueue(), with the following additions;
* - this flag indicates "Not Last In Sequence", ie. all but the final fragment
*   of a frame. */
#define QMAN_ENQUEUE_FLAG_NLIS      0x01000000
/* - this flag performs no enqueue but fills in an ORP sequence number that
*   would otherwise block it (eg. if a frame has been dropped). */
#define QMAN_ENQUEUE_FLAG_HOLE     0x02000000
/* - this flag performs no enqueue but advances NESN to the given sequence
*   number. */
#define QMAN_ENQUEUE_FLAG_NESN     0x04000000
/*
* qman_enqueue_orp - Enqueue a frame to a frame queue using an ORP
* @fq: the frame queue object to enqueue to
* @fd: a descriptor of the frame to be enqueued
* @flags: bit-mask of QMAN_ENQUEUE_FLAG_*** options
* @orp: the frame queue object used as an order restoration point.
* @orp_seqnum: the sequence number of this frame in the order restoration path
*
* Similar to qman_enqueue(), but with the addition of an Order Restoration
* Point (@orp) and corresponding sequence number (@orp_seqnum) for this
* enqueue operation to employ order restoration. Each frame queue object acts
* as an Order Definition Point by providing each frame dequeued from it
* with an incrementing sequence number, this value is generally ignored unless
* that sequence of dequeued frames will need order restoration later. Each
* frame queue object also encapsulates an Order Restoration Point (ORP), which
* is a re-assembly context for re-ordering frames relative to their sequence
* numbers as they are enqueued. The ORP does not have to be within the frame
* queue that receives the enqueued frame, in fact it is usually the frame
* queue from which the frames were originally dequeued. For the purposes of
* order restoration, multiple frames (or "fragments") can be enqueued for a
* single sequence number by setting the QMAN_ENQUEUE_FLAG_NLIS flag for all
* enqueues except the final fragment of a given sequence number. Ordering
* between sequence numbers is guaranteed, even if fragments of different
* sequence numbers are interlaced with one another. Fragments of the same
* sequence number will retain the order in which they are enqueued. If no
* enqueue is performed, QMAN_ENQUEUE_FLAG_HOLE indicates that the given
* sequence number is to be "skipped" by the ORP logic (eg. if a frame has been
* dropped from a sequence), or QMAN_ENQUEUE_FLAG_NESN indicates that the given
* sequence number should become the ORP's "Next Expected Sequence Number".
*
* Side note: a frame queue object can be used purely as an ORP, without
* carrying any frames at all. Care should be taken not to deallocate a frame
* queue object that is being actively used as an ORP, as a future allocation
* of the frame queue object may start using the internal ORP before the
* previous use has finished.
*/
int qman_enqueue_orp(struct qman_fq *fq, const struct qm_fd *fd, u32 flags,
                    struct qman_fq *orp, u16 orp_seqnum);

```

DCA Mode

As described in [Section "Order Preservation and Discrete Consumption Acknowledgment"](#), FQs initialized for "hold active" behavior can have order-preservation behavior if their DQRR entries are consumed either by implicit DCA in the enqueue command when forwarding, or by explicit DCA if the frame is not going to be forwarded. The implicit DCA via enqueue is described in [Section "Enqueue Command \(without ORP\)"](#), this section describes the API for performing an explicit DCA on a DQRR entry. As with the implicit DCA via enqueue, explicit DCA commands also allow the caller to specify that the FQ be Parked rather than rescheduled once all its DQRR entries are consumed.

```
/**
 * qman_dca - Perform a Discrete Consumption Acknowledgement
 * @dq: the DQRR entry to be consumed
 * @park_request: indicates whether the held-active @fq should be parked
 *
 * Only allowed in DCA-mode portals, for DQRR entries whose handler callback had
 * previously returned 'qman_cb_dqrr_defer'. NB, as with the other APIs, this
 * does not take a 'portal' argument but implies the core affine portal from the
 * cpu that is currently executing the function. For reasons of locking, this
 * function must be called from the same CPU as that which processed the DQRR
 * entry in the first place.
 */
void qman_dca(struct qm_dqrr_entry *dq, int park_request);
```

Congestion Management Records

QMan supports a fixed number³ of built-in resources called Congestion Group Records (CGRs), that can be used as containers for related frame queues that should collectively benefit from congestion management. The precise algorithms used for congestion management with these records are beyond the scope of the document, see the Queue Manager section of the appropriate QorIQ SoC Reference Manual for details.

The CGR kernel structure enables access to the CGR hardware functionality. Each object refers to an underlining hardware record via the cgrid field. Many CGR objects may reference the same cgrid, but care must be taken when this object resides on different cores as no inter-core protection is provided.

The init frame queue functionality allows the caller to associate a CGR with the associated frame queue. The interface permits the management and modification of the underlining CGRs and notifies the user of congestion state changed. The current interface does not provide a mechanism to manage CGR ids. The application software is expected to arbitrate use of CGR ids.

```
/* Flags to qman_modify_cgr() */
#define QMAN_CGR_FLAG_USE_INIT 0x00000001
/**
 * This is a qman cgr callback function which gets invoked when the
 * typedef void (*qman_cb_cgr)(struct qman_portal *qm,
 * struct qman_cgr *cgr, int congested);
 * struct qman_cgr {
 *     /* Set these prior to qman_create_cgr() */
 *     u32 cgrid; /* 0..255 */
 *     qman_cb_cgr cb;
 *     enum qm_channel chan; /* portal channel this object is created on */
 *     struct list_head node;
 * };
 * When Weighted Random Early Discard (WRED) is used then the following
 * structure is used to configure the WRED parameters. Refer to the QMan
```

³ 256 for P4080/P5020/P3041

```

* Block Guide for a detailed description of the various parameters.
*/
struct qm_cgr_wr_parm {
    union {
        u32 word;
        struct {
            u32 MA:8;
            u32 Mn:5;
            u32 SA:7; /* must be between 64-127 */
            u32 Sn:6;
            u32 Pn:6;
        } __packed;
    };
} __packed;
/* This struct represents the 13-bit "CS_THRES" CGR field. In the corresponding
* management commands, this is padded to a 16-bit structure field, so that's
* how we represent it here. The congestion state threshold is calculated from
* these fields as follows;
* CS threshold = TA * (2 ^ Tn)
*/
struct qm_cgr_cs_thres {
    u16 __reserved:3;
    u16 TA:8;
    u16 Tn:5;
} __packed;
/* This identical structure of CGR fields is present in the "Init/Modify CGR"
* commands and the "Query CGR" result. It's suctioned out here into its own
* struct. */
struct __qm_mc_cgr {
    struct qm_cgr_wr_parm wr_parm_g;
    struct qm_cgr_wr_parm wr_parm_y;
    struct qm_cgr_wr_parm wr_parm_r;
    u8 wr_en_g; /* boolean, use QM_CGR_EN */
    u8 wr_en_y; /* boolean, use QM_CGR_EN */
    u8 wr_en_r; /* boolean, use QM_CGR_EN */
    u8 cscn_en; /* boolean, use QM_CGR_EN */
    union {
        struct {
            u16 cscn_targ_upd_ctrl; /* use QM_CSCN_TARG_UDP */
            u16 cscn_targ_dcp_low; /* CSCN_TARG_DCP low-16bits
*/
        };
        u32 cscn_targ; /* use QM_CGR_TARG */
    };
    u8 cstd_en; /* boolean, use QM_CGR_EN */
    u8 cs; /* boolean, only used in query response */
    struct qm_cgr_cs_thres cs_thres;
    u8 mode; /* QMAN_CRG_MODE_FRAME not supported in rev1.0 */
} __packed
struct qm_mcc_initcgr {
    u8 __reserved1;
    u16 we_mask; /* Write Enable Mask */
    struct __qm_mc_cgr cgr; /* CGR fields */
    u8 __reserved2[2];
    u8 cgid;
    u8 __reserved4[32];
} __packed;
/**
* qman_create_cgr - Register a congestion group object
* @cgr: the 'cgr' object, with fields filled in

```



```

* @flags: QMAN_CGR_FLAG_* values
* @opts: optional state of CGR settings
*
* Registers this object to receiving congestion entry/exit callbacks on the
* portal affine to the cpu portal on which this API is executed. If opts is
* NULL then only the callback (cgr->cb) function is registered. If @flags
* contains QMAN_CGR_FLAG_USE_INIT, then an init hw command (which will reset
* any unspecified parameters) will be used rather than a modify hw hardware
* (which only modifies the specified parameters).
*/
int qman_create_cgr(struct qman_cgr *cgr, u32 flags, struct qm_mcc_initcgr
*opts);
/**
* qman_create_cgr_to_dcp - Register a congestion group object to DCP portal
* @cgr: the 'cgr' object, with fields filled in
* @flags: QMAN_CGR_FLAG_* values
* @dcp_portal: the DCP portal to which the cgr object is registered
* @opts: optional state of CGR settings
*
*/
int qman_create_cgr_to_dcp(struct qman_cgr *cgr, u32 flags, u16 dcp_portal,
struct qm_mcc_initcgr *opts);
/**
* qman_delete_cgr - Deregisters a congestion group object
* @cgr: the 'cgr' object to deregister
*
* "Unplugs" this CGR object from the portal affine to the cpu on which this API
* is executed. This must be executed on the same affine portal on which it was
* created.
*/
int qman_delete_cgr(struct qman_cgr *cgr);
/**
* qman_modify_cgr - Modify CGR fields
* @cgr: the 'cgr' object to modify
* @flags: QMAN_CGR_FLAG_* values
* @opts: the CGR-modification settings
*
* The @opts parameter can be NULL. Note that some fields and options within
* @opts may be ignored or overwritten by the driver, in particular the 'cgrid'
* field is ignored (this operation only affects the given CGR object). If
* @flags contains QMAN_CGR_FLAG_USE_INIT, then an init hw command (which will
* reset any unspecified parameters) will be used rather than a modify hw
* hardware (which only modifies the specified parameters).
*/
int qman_modify_cgr(struct qman_cgr *cgr, u32 flags, struct qm_mcc_initcgr
*opts);
/**
* qman_query_cgr - Queries CGR fields
* @cgr: the 'cgr' object to query
* @result: storage for the queried congestion group record
*/
int qman_query_cgr(struct qman_cgr *cgr, struct qm_mcr_querycgr *result);

```

Zero-Configuration Messaging

As described in [Section "Overview \(QMan\)"](#), the demux logic of the QMan portal driver uses the contextB field of FQDs, as published in DQRR and MR entries, to determine the corresponding FQ object, and from there the DQRR or MR callback to invoke. However, "default callbacks" can also be associated with a portal that will be used if a "NULL" FQ is dequeued from, where NULL refers to an FQD whose contextB entry has been initialized

to NULL (this occurs when using the QMAN_INITFQ_FLAG_NULL flag to the qman_init_fq() API, described in [Section "Initialize an FQ"](#)).

The purpose of this mechanism is to allow the user of one portal to enqueue frames on any frame queue that is configured in this way and schedule it to another portal. For virtualization or AMP scenarios, it is a difficult architectural problem to configure all guest operating systems to agree, in advance, on runtime parameters. The use of NULL frame queues allows a control plane guest OS to use any frame queue, configured with a NULL "contextB" field (see the QMAN_INITFQ_FLAG_NULL flag in the "Frame queue management" section below), to send any and all such configuration to another guest by scheduling that NULL frame queue to one of the target guest's portals. The target guest will have the portal's "NULL" callbacks invoked rather than those of any frame queue objects, and as such this provides what could be considered a "zero-configuration" interface - no agreement is required over what frame queue that configuration information will be arriving on, only that the configuration will arrive via the portal as a message on a NULL frame queue.

Note: *Unless the payload of FDs passed over a zero-config FQ fits entirely within the 32-bit cmd/status field, buffers will presumably be required and the zero-configuration mechanism described here does not address how the sending and receiving ends should agree on what memory resources and management to use for this.*

```
/**
 * qman_get_null_cb - get callbacks currently used for "null" frame queues
 *
 * Copies the callbacks used for the affine portal of the current cpu.
 */
void qman_get_null_cb(struct qman_fq_cb *null_cb);
/**
 * qman_set_null_cb - set callbacks to use for "null" frame queues
 *
 * Sets the callbacks to use for the affine portal of the current cpu, whenever
 * a DQRR or MR entry refers to a "null" FQ object. (Eg. zero-conf messaging.)
 */
void qman_set_null_cb(const struct qman_fq_cb *null_cb);
```

FQ allocation

Ad hoc FQ allocator

As described in [Section "Seeding Buffer Pools"](#), BMan buffer pool ID zero is currently reserved for use as an ad hoc FQ allocator. As seen in [Section "Frame queue management"](#), this feature can be used implicitly when creating an FQ object by passing the QMAN_FQ_FLAG_DYNAMIC_FQID flag to qman_init_fq(). The advantage of this mechanism is that it works across all cpus/portals, independent of any hypervisor or other system partitioning. The disadvantage of this mechanism is that it does not permit the atomic nor contiguous allocation of more than one FQ at a time, and in particular most high-performance uses of FMan require contiguous ranges of FQIDs that also meet certain alignment requirements (that is, that the FQID range begins on an aligned FQID value).

FQ range allocator

The following APIs allow software to allocate and release arbitrary ranges of FQIDs, but it should be noted that the current version of the NXP data path software implements this without any hardware interaction. As such, multiple (guest) systems running on the same chip will each have their own allocator and are not aware of each other's (de)allocations. The range allocator's default state is empty, and it can be seeded by calling qman_release_fqid_range() on initialization with an appropriate FQID range to manage. The intention is for the

control-plane software to initialize this range and to perform all allocations and deallocations on behalf of any software running on different system instances.

```
/**
 * qman_alloc_fqid_range - Allocate a contiguous range of FQIDs
 * @result: is set by the API to the base FQID of the allocated range
 * @count: the number of FQIDs required
 * @align: required alignment of the allocated range
 * @partial: non-zero if the API can return fewer than @count FQIDs
 * Returns the number of frame queues allocated, or a negative error code. If
 * @partial is non zero, the allocation request may return a smaller range of
 * FQs than requested (though alignment will be as requested). If @partial is
 * zero, the return value will either be 'count' or negative.
 */
int qman_alloc_fqid_range(u32 *result, u32 count, u32 align, int partial);
/**
 * qman_release_fqid_range - Release the specified range of frame queue IDs
 * @fqid: the base FQID of the range to deallocate
 * @count: the number of FQIDs in the range
 *
 * This function can also be used to seed the allocator with ranges of FQIDs
 * that it can subsequently use. Returns zero for success.
 */
void qman_release_fqid_range(u32 fqid, unsigned int count);
```

Future FQ allocator changes

Note that a future version of the NXP data path software will automatically seed the range allocator with all FQIDs available to QMan, it will reimplement these APIs over an IPC layer such that all system instances share a common allocator instance, and the BMan-based FQ allocator will be removed and the corresponding APIs being reimplemented to use this range allocator.

Helper functions

In cases where software running on different CPUs communicate using QMan frame queues, there can arise an initialization problem related to synchronization. If one side is termed the producer and the other the consumer, then the question becomes one of when it is safe for the producer to enqueue to that FQ. It is normal for software consumers to take care of initializing and scheduling FQs, because they must provide initialization and scheduling details in order for dequeue-handling to function correctly. But on the producer side, any attempt to enqueue to the FQ prior to the FQ being initialized will be rejected (enqueues are not permitted to OutOfService FQs). The following inline function can be used directly or as an example of how to determine when an FQ has changed state.

Note: *It is safe for the producer to enqueue once the FQ has been initialized but not yet scheduled by the consumer.*

```
/** * qman_poll_fq_for_init - Check if an FQ has been initialized from
 * OOS * @fqid: the FQID that will be initialized by other s/w * * In many
 * situations, a FQID is provided for communication between s/w * entities,
 * and whilst the consumer is responsible for initialising and * scheduling
 * the FQ, the producer(s) generally create a wrapper FQ object using * and
 * only call qman_enqueue() (no FQ initialisation, scheduling, etc). Ie; *
 * qman_create_fq(..., QMAN_FQ_FLAG_NO_MODIFY, ...); * However, data can not
 * be encanntotto the FQ until it is initialized out of * the OOS state - this
 * function polls for that condition. It is particularly * useful for users of IPC
 * functions - each endpoint's Rx FQ is the other * endpoint's Tx FQ, so each side
 * can initialise and schedule their Rx FQ object * and then use this API on the
```

```
(NO_MODIFY) Tx FQ object in order to * synchronise. The function returns zero
for success, +1 if the FQ is still in * the OOS state, or negative if there
was an error. */ static inline int qman_poll_fq_for_init(struct qman_fq *fq)
{ struct qm_mcr_queryfq_np np; int err; err = qman_query_fq_np(fq, &np); if
(err) return err; if ((np.state & QM_MCR_NP_STATE_MASK) == QM_MCR_NP_STATE_OOS)
return 1; return 0; }
```

7.2.3.2.6 Sysfs and debugfs QMan/BMan interfaces

The following section describes the QMan and BMan interfaces available via sysfs and debugfs.

Note: Check the device-tree of each SoC to determine the interfaces available. For more information, see the Reference Manual for the SoC, and/or examine the sysfs filesystem at runtime.

7.2.3.2.6.1 QMan sysfs

`/sys/devices/platform/soc/1880000.qman/`

Description:

This directory contains a snapshot of the internal state of the QMan device.

`/sys/devices/platform/soc/1880000.qman/error_capture`

Description:

This directory contains a snapshot of error related QMan attributes.

`/sys/devices/platform/soc/1880000.qman/error_capture/sbec_<0..6>`

Description:

Provides a count of the number of single bit ECC errors that have occurred when reading from one of the QMan internal memories. The range <0..6> represent a QMan internal memory region defined as follows:

- 0: FQD cache memory
- 1: FQD cache tag memory
- 2: SFDR memory
- 3: WQ context memory
- 4: Congestion Group Record memory
- 5: Internal Order Restoration List memory
- 6: Software Portal ring memory

This file is read-reset.

`/sys/devices/platform/soc/1880000.qman/sfdr_in_use`

Description:

Reports the number of SFDR currently in use. The minimum value is 1.

This file is read-only.

`/sys/devices/platform/soc/1880000.qman/pfdr_fpc`

Description:

Total Packed Frame Descriptor Record Free Pool Count in external memory.

This file is read-only.

`/sys/devices/platform/soc/1880000.qman/pfdr_cfg`

Description:

Used to read the configuration of the dynamic allocation policy for PFDRs. The value is used to account for PFDR that may be required to complete any currently executing operations in the sequencers.

This file is read-only.

`/sys/devices/platform/soc/1880000.qman/idle_stat`

Description:

This file can be used to determine when QMan is both idle and empty. The possible values are:

0: All work queues in QMan are NOT empty and QMan is NOT idle.

1: All work queues in QMan are NOT empty and QMan is idle.

2: All work queues in QMan are empty

3: All work queues in QMan are empty and QMan is idle.

This file is read-only.

`/sys/devices/platform/soc/1880000.qman/err_isr`

Description:

QMan contains one dedicated interrupt line for signaling error conditions to software. This file identifies the source of the error interrupt within QMan. The value is displayed in hexadecimal format. Refer to the appropriate QorIQ SOC Reference Manual for a description of the QMAN_ERR_ISR register.

This file is read-only.

`/sys/devices/platform/soc/1880000.qman/dcp<0..3>_dln_avg`

Description:

These files contain an EWMA (exponentially weighted moving average) of dequeue latency samples for dequeue commands received on the sub portal. The range <0..3> refers to each of the direct-connect portals. The display format is as follows: <avg_integer>.<avg_fraction>

This file can be seeded with an integer value. The input integer is processed in the following manner:

<avg_fraction> = lowest 8 bits / 256 , <avg_integer> = next 12 bits

ex: echo 0x201 > dcp0_dln_avg

```
cat dcp0_dln_avg
```

```
0.00390625
```

This file is read-write.

/sys/devices/platform/soc/1880000.qman/ci_rlm_avg

Description:

This file contains an EWMA (exponentially weighted moving average) of read latency samples for reads on CoreNet initiated by QMan. The display format is as follows: <avg_integer>.<avg_fraction>r

This file can be seeded with an integer value. The input integer is processed in the following manner:
<avg_fraction> = lowest 8 bits / 256 , <avg_integer> = next 12 bits

ex: echo 0x201 > ci_rlm_avg

```
cat ci_rlm_avg
```

```
0.00390625
```

This file is read-write.

7.2.3.2.6.2 BMan sysfs

/sys/devices/platform/soc/1890000.bman.bman

Description:

This directory contains a snapshot of the internal state of the BMan device.

/sys/devices/platform/soc/1890000.bman/error_capture

Description:

This directory contains a snapshot of error related BMan attributes.

/sys/devices/platform/soc/1890000.bman/error_capture/sbec_<0..1>

Description:

Provides a count of the number of single bit ECC errors that have occurred when reading from one of the BMan internal memories. The range <0..1> represent a BMAN internal memory region defined as follows:

0: Stockpile memory 0

1: Software Portal ring memory

This file is read-reset.

/sys/devices/platform/soc/1890000.bman/pool_count

Description:

This directory contains a snapshot of the number of free buffers available in any of the buffer pools.

/sys/devices/platform/soc/1890000.bman/fbpr_fpc

Description:

This file returns a snapshot of the Free Buffer Proxy Record free pool size. Total Free Buffer Proxy Record Free Pool Count in external memory.

This file is read-only.

/sys/devices/platform/soc/1890000.bman/err_isr

Description:

BMan contains one dedicated interrupt line for signaling error conditions to software. This file identifies the source of the error interrupt within BMan. The value is displayed in hexadecimal format. Refer to the appropriate QorIQ SOC Reference Manual for a description of the BMAN_ERR_ISR register.

This file is read-only.

7.2.3.2.6.3 QMan debugfs

/sys/kernel/debug/qman

Description:

This directory contains various QMan device debugging attributes.

/sys/kernel/debug/qman/query_cgr

Description:

Query the entire contents of a Congestion Group Record. The file takes as input the Congestion Group Record ID. The output of the file returns the various CGR fields.

For example, if we want to query cgr_id 10 we would do the following:

```
# echo 10 > query_cgr
```

```
# cat query_cgr
```

```
Query CGR id 0xa
```

```
wr_parm_g MA: 0, Mn: 0, SA: 0, Sn: 0, Pn: 0
```

```
wr_parm_y MA: 0, Mn: 0, SA: 0, Sn: 0, Pn: 0
```

```
wr_parm_r MA: 0, Mn: 0, SA: 0, Sn: 0, Pn: 0
```

```
wr_en_g: 0, wr_en_y: 0, we_en_r: 0
```

```
cscn_en: 0
```

```
cscn_targ: 0
```

```
cstd_en: 0
```

```
cs: 0
```

```
cs_thresh_TA: 0, cs_thresh_Tn: 0
```

```
i_bcmt: 0
```

```
a_bcmt: 0
```

/sys/kernel/debug/qman/query_congestion

Description:

Query the state of all 256 Congestion Groups in QMan. This is a read-only file. The output of the file returns the state of all congestion group records. The state of a congestion group is either "in congestion" or "not in congestion". Since CGR are normally not in congestion, only CGR which are in congestion are returned. If no CGR are in congestion, then this is indicated.

For example, if we want to perform a query we would do the following:

```
# cat query_congestion
```

```
Query Congestion Result
```

```
All congestion groups not congested.
```

/sys/kernel/debug/qman/query_fq_fields

Description:

Query the frame queue programmable fields. This file takes as input the frame queue id to be queried on a subsequent read. The output of this file returns all the frame queue programmable fields. The default frame queue id is 1.

Refer to the appropriate QorIQ SOC Reference Manual for detailed explanation on the return values.

For example, if we determine that our application is using frame queue 482 we could use this file in the following manner:

```
# echo 482 > query_fq_fields
```

```
# cat query_fq_fields
```

```
Query FQ Programmable Fields Result fqid 0x1e2
```

```
orprws: 0
```

```
oa: 0
```

```
olws: 0
```

```
cgid: 0
```

```
fq_ctrl:
```

```
Aggressively cache FQ
```

```
Don't block active
```

```
Context-A stashing
```

```
Tail-Drop Enable
```

```
dest_channel: 33
```

```
dest_wq: 7
```

```
ics_cred: 0
```

```
td_mant: 128
```

```
td_exp: 7
```

```
ctx_b: 0x19e
```

```
ctx_a: 0x78b59e18
```

```
ctx_a_stash_exclusive:
```

```
FQ Ctx Stash
```

```
Frame Annotation Stash
```

```
ctx_a_stash_annotation_cl: 1
```

```
ctx_a_stash_data_cl: 2
```


ctx_a_stash_context_cl: 2

/sys/kernel/debug/qman/query_fq_np_fields

Description:

Query the frame queue non-programmable fields. This file takes as input the frame queue id to be queried on a subsequent read. The output of this file returns all the frame queue non-programmable fields. The default frame queue id is 1.

Refer to the appropriate QorIQ SOC Reference Manual for detailed explanation on the return values.

For example, if we determine that our application is using frame queue 482 we could use this file in the following manner:

```
# echo 482 > query_fq_np_fields
```

```
# cat query_fq_np_fields
```

Query FQ Non-Programmable Fields Result fqid 0x1e2

force eligible pending: no

retirement pending: no

state: Out of Service

fq_link: 0x0

orp_nesn: 0

orp_ea_hseq: 0

orp_ea_tseq: 0

orp_ea_hptr: 0x0

orp_ea_tptr: 0x0

pfdr_hptr: 0x0

pfdr_tptr: 0x0

is: ics_surp contains a surplus

ics_surp: 0

byte_cnt: 0

frm_cnt: 0

ra1_sfdr: 0x0

ra2_sfdr: 0x0

od1_sfdr: 0x0

od2_sfdr: 0x0

od3_sfdr: 0x0

/sys/kernel/debug/qman/query_cq_fields

Description:

Query all the fields of in a particular CQD. This file takes input as the DCP id plus the class queue id to be queried on a subsequent read. The output of this file returns all the class queue fields. The default class queue id is 1 of DCP 0

Refer to the appropriate QorIQ SOC Reference Manual for detailed explanation on the return values.

For example, if we determine that our application is using class queue 4 of DCP 1, we could use this file in the following manner:

```
# echo 0x01000004 > query_cq_fields
```

(The most left 8 bits are used to specify DCP id, and the rest of 24 bits are used to specify the class queue id)

```
# cat query_fq_fields
```

```
Query CQ Fields Result cqid 0x4 on DCP 1
```

```
ccgid: 4
```

```
state: 0
```

```
pfd_r_hptr: 0
```

```
pfd_r_tptr: 0
```

```
od1_xsfdr: 0
```

```
od2_xsfdr: 0
```

```
od3_xsfdr: 0
```

```
od4_xsfdr: 0
```

```
od5_xsfdr: 0
```

```
od6_xsfdr: 0
```

```
ra1_xsfdr: 0
```

```
ra2_xsfdr: 0
```

```
frame_count: 0
```

/sys/kernel/debug/qman/query_ceetm_ccgr

Description:

Query the configuration and state fields within a CEETM Congestion Group Record that relate to congestion management(CM). This file takes input as the DCP id(most left 8 bits) and CEETM Congestion Group Record ID(most right 24 bits). The output of the file returns the various CCGR fields.

For example, if we want to query ccgr_id 7 of DCP 0, we would do the following:

```
# echo 0x00000007 > query_ceetm_ccgr
```

```
# cat query_ceetm_ccgr
```

```
Query CCGID 7
```

```
Query CCGR id 7 in DCP 0
```

```
wr_parm_g MA: 0, Mn: 0, SA: 0, Sn: 0, Pn: 0
```

```
wr_parm_y MA: 0, Mn: 0, SA: 0, Sn: 0, Pn: 0
```

```
wr_parm_r MA: 0, Mn: 0, SA: 0, Sn: 0, Pn: 0
```

```
wr_en_g: 0,
```

```
wr_en_y: 0,  
we_en_r: 0  
cscn_en: 0  
cscn_targ_dcp:  
cscn_targ_swp:  
td_en: 0  
cs_thresh_in_TA: 0,  
cs_thresh_in_Tn: 0  
cs_thresh_out_TA: 0,  
cs_thresh_out_Tn: 0  
td_thresh_TA: 0,  
td_thresh_Tn: 0  
mode: byte count  
i_cnt: 0  
a_cnt: 0
```

/sys/kernel/debug/qman/query_wq_lengths

Description:

Query the length of the Work Queues in a particular channel. This file takes as input a specified channel id. The output of this file returns the lengths of the work queues on the specified channel.

For example, if we want to query channel 1 we would do the following:

```
# echo 1 > query_wq_lengths
```

```
# cat query_wq_lengths
```

```
Query Result For Channel: 0x1
```

```
wq0_len : 0
```

```
wq1_len : 0
```

```
wq2_len : 0
```

```
wq3_len : 0
```

```
wq4_len : 0
```

```
wq5_len : 0
```

```
wq6_len : 0
```

```
wq7_len : 0
```

/sys/kernel/debug/qman/fqd/avoid_blocking_[enable | disable]

Description:

Query Avoid_Blocking bit in all frame queue descriptors. This is a read-only file. The output of this file returns all the frame queue ids, in a comma-separated list, which have their Avoid_Blocking bit mask enabled or disabled.

For example, if we want to find all frame queues with `Avoid_Blocking` enabled, we would do the following:

```
# cat avoid_blocking_enable
List of fq ids with: Avoid Blocking :enabled
0x0001d2,0x0001d3,0x0001d4,0x0001d5,0x0001de,0x0001df,0x0001e0,0x0001e1,
0x0001ea,0x0001eb,0x0001ec,0x0001ed,0x0001f6,0x0001f7,0x0001f8,0x0001f9,
...
Total FQD with: Avoid Blocking : enabled = 528
Total FQD with: Avoid Blocking : disabled = 32239
```

`/sys/kernel/debug/qman/fqd/prefer_in_cache_[enable | disable]`

Description:

Query `Prefer_in_Cache` bit in all frame queue descriptors. This is a read-only file. The output of this file returns all the frame queue ids, in a comma-separated list, which have their `Prefer_in_Cache` bit mask enabled or disabled.

For example, if we want to find all frame queues with `Prefer_in_Cache` enabled, we would do the following:

```
# cat prefer_in_cache_enable
List of fq ids with: Prefer in cache :enabled
0x0001ca,0x0001cb,0x0001cc,0x0001cd,0x0001ce,0x0001cf,0x0001d0,0x0001d1,
0x0001d2,0x0001d3,0x0001d4,0x0001d5,0x0001d6,0x0001d7,0x0001d8,0x0001d9,
...
Total FQD with: Prefer in cache : enabled = 560
Total FQD with: Prefer in cache : disabled = 32207
```

`/sys/kernel/debug/qman/fqd/cge_[enable | disable]`

Description:

Query `Congestion_Group_Enable` bit in all frame queue descriptors. This is a read-only file. The output of this file returns all the frame queue ids, in a comma-separated list, which have their `Congestion_Group_Enable` bit mask enabled or disabled.

For example, if we want to find all frame queues with `Congestion_Group_Enable` disabled, we would do the following:

```
# cat cge_disable
List of fq ids with: Congestion Group Enable :disabled
0x000001,0x000002,0x000003,0x000004,0x000005,0x000006,0x000007,0x000008,
0x000009,0x00000a,0x00000b,0x00000c,0x00000d,0x00000e,0x00000f,0x000010,
...
Total FQD with: Congestion Group Enable : enabled = 0
Total FQD with: Congestion Group Enable : disabled = 32767
```

`/sys/kernel/debug/qman/fqd/cpc_[enable | disable]`

Description:

Query `CPC_Stash_Enable` bit in all frame queue descriptors. This is a read-only file. The output of this file returns all the frame queue ids, in a comma-separated list, which have their `CPC_Stash_Enable` bit mask enabled or disabled.

For example, if we want to find all frame queues with CPC Stash disabled, we would do the following:

```
# cat cpc_disable
List of fq ids with: CPC Stash Enable :disabled
0x000001,0x000002,0x000003,0x000004,0x000005,0x000006,0x000007,0x000008,
0x000009,0x00000a,0x00000b,0x00000c,0x00000d,0x00000e,0x00000f,0x000010,
...
Total FQD with: CPC Stash Enable : enabled = 0
Total FQD with: CPC Stash Enable : disabled = 32767
```

/sys/kernel/debug/qman/fqd/cred

Description:

Query Intra-Class Scheduling bit in all frame queue descriptors. This is a read-only file. The output of this file returns all the frame queue ids, in a comma-separated list, which have their Intra-Class Scheduling Credit value greater than 0.

```
# cat cred
List of fq ids with Intra-Class Scheduling Credit > 0
Total FQD with ics_cred > 0 = 0
```

/sys/kernel/debug/qman/fqd/ctx_a_stashing_[enable | disable]

Description:

Query Context_A bit in all frame queue descriptors. This is a read-only file. The output of this file returns all the frame queue ids, in a comma-separated list, which have their Context_A bit mask enabled or disabled.

For example, if we want to find all frame queues with Context_A enabled, we would do the following:

```
# cat ctx_a_stashing_enable
List of fq ids with: Context-A stashing :enabled
0x0001d2,0x0001d3,0x0001d4,0x0001d5,0x0001de,0x0001df,0x0001e0,0x0001e1,
0x0001ea,0x0001eb,0x0001ec,0x0001ed,0x0001f6,0x0001f7,0x0001f8,0x0001f9,
...
Total FQD with: Context-A stashing : enabled = 528
Total FQD with: Context-A stashing : disabled = 32239
```

/sys/kernel/debug/qman/fqd/hold_active_[enable | disable]

Description:

Query Hold_Active bit in all frame queue descriptors. This is a read-only file. The output of this file returns all the frame queue ids, in a comma-separated list, which have their Hold_Active bit mask enabled or disabled.

For example, if we want to find all frame queues with Hold_Active enabled, we would do the following:

```
# cat hold_active_enable
List of fq ids with: Hold active in portal :enabled
Total FQD with: Hold active in portal : enabled = 0
Total FQD with: Hold active in portal : disabled = 32767
```

/sys/kernel/debug/qman/fqd/orp_[enable | disable]

Description:

Query ORP bit in all frame queue descriptors. This is a read-only file. The output of this file returns all the frame queue ids, in a comma-separated list, which have their ORP bit mask enabled or disabled.

For example, if we want to find all frame queues with ORP enabled, we would do the following:

```
# cat orp_enable
List of fq ids with: ORP Enable :enabled
Total FQD with: ORP Enable : enabled = 0
Total FQD with: ORP Enable : disabled = 32767
```

/sys/kernel/debug/qman/fqd/sfdr_[enable | disable]

Description:

Query Force_SFDR_Allocate bit in all frame queue descriptors. This is a read-only file. The output of this file returns all the frame queue ids, in a comma-separated list, which have their Force_SFDR_Allocate bit mask enabled or disabled.

For example, if we want to find all frame queues with Force_SFDR_Allocate enabled, we would do the following:

```
# cat sfdr_enable
List of fq ids with: High-priority SFDRs :enabled(1)
Total FQD with: High-priority SFDRs : enabled = 0
Total FQD with: High-priority SFDRs : disabled = 32767
```

sys/kernel/debug/qman/fqd/state_[active | oos | parked | retired | tentatively_sched | truly_sched]

Description:

Query Frame Queue State in all frame queue descriptors. This is a read-only file. The output of this file returns all the frame queue ids, in a comma-separated list, which are in the specified state: active, oos, parked, retired, tentatively scheduled or truly scheduled.

For example, the following returns all the frame queues in the Tentatively Scheduled state:

```
# cat state_tentatively_sched
List of fq ids in state: Tentatively Scheduled
0x0001ca,0x0001cb,0x0001cc,0x0001cd,0x0001ce,0x0001cf,0x0001d0,0x0001d1,
0x0001d2,0x0001d3,0x0001d4,0x0001d5,0x0001d6,0x0001d7,0x0001d8,0x0001d9,
...
Out of Service count = 32201
Retired count = 0
Tentatively Scheduled count = 566
Truly Scheduled count = 0
Parked count = 0
Active, Active Held or Held Suspended count = 0
```

/sys/kernel/debug/qman/fqd/tde_[enable | disable]**Description:**

Query Tail_Drop_Enable bit in all frame queue descriptors. This is a read-only file. The output of this file returns all the frame queue ids, in a comma-separated list, which have their Tail_Drop_Enable bit mask enabled or disabled.

For example, the following returns all the frame queues with Tail_Drop_Enable bit enabled:

```
# cat tde_enable
List of fq ids with: Tail-Drop Enable :enabled(1)
0x0001ca,0x0001cb,0x0001cc,0x0001cd,0x0001ce,0x0001cf,0x0001d0,0x0001d1,
0x0001d2,0x0001d3,0x0001d4,0x0001d5,0x0001d6,0x0001d7,0x0001d8,0x0001d9,
...
Total FQD with: Tail-Drop Enable : enabled = 560
Total FQD with: Tail-Drop Enable : disabled = 32207
```

/sys/kernel/debug/qman/fqd/wq**Description:**

Query Destination Work Queue in all frame queue descriptors. This file takes as input work queue id combined with channel id (destination work queue). The output of this file returns all the frame queues with destination work queue number as specified in the input.

For example, the following returns all the frame queues with their destination work queue number equal to 0x10f:

```
# echo 0x10f > wq
# cat wq
List of fq ids with destination work queue id = 0x10f
0x0001d2,0x0001d3,0x0001d4,0x0001d5,0x0001de,0x0001df,0x0001e0,0x0001e1,
0x0001ea,0x0001eb,0x0001ec,0x0001ed,0x0001f6,0x0001f7,0x0001f8,0x0001f9,
0x0001fa,0x0001fb,0x0001fd,0x0001fe
Summary of all FQD destination work queue values
Channel: 0x0 WQ: 0x0 WQ_ID: 0x0, count = 32199
Channel: 0x0 WQ: 0x0 WQ_ID: 0x4, count = 1
Channel: 0x0 WQ: 0x3 WQ_ID: 0x7, count = 64
Channel: 0x1 WQ: 0x3 WQ_ID: 0xf, count = 64
Channel: 0x2 WQ: 0x3 WQ_ID: 0x17, count = 64
Channel: 0x3 WQ: 0x3 WQ_ID: 0x1f, count = 64
Channel: 0x4 WQ: 0x3 WQ_ID: 0x27, count = 64
Channel: 0x5 WQ: 0x3 WQ_ID: 0x2f, count = 64
Channel: 0x6 WQ: 0x3 WQ_ID: 0x37, count = 64
Channel: 0x7 WQ: 0x3 WQ_ID: 0x3f, count = 64
Channel: 0x21 WQ: 0x3 WQ_ID: 0x10f, count = 20
Channel: 0x42 WQ: 0x3 WQ_ID: 0x217, count = 8
Channel: 0x45 WQ: 0x0 WQ_ID: 0x228, count = 1
Channel: 0x60 WQ: 0x3 WQ_ID: 0x307, count = 8
Channel: 0x61 WQ: 0x3 WQ_ID: 0x30f, count = 8
Sysfs and Debugfs QMan/BMan interfaces
QMan, BMan API RM, Rev. 0.13
NXP Semiconductors NXP Confidential Proprietary 8-67
Preliminary-Subject to Change Without Notice
Channel: 0x62 WQ: 0x3 WQ_ID: 0x317, count = 8
Channel: 0x65 WQ: 0x0 WQ_ID: 0x328, count = 1
```

```
Channel: 0xa0 WQ: 0x0 WQ_ID: 0x504, count = 1
```

/sys/kernel/debug/qman/fqd/summary

Description:

Provides a summary of all the fields in all frame queue descriptors. This is a read-only file.

```
# cat summary
Out of Service count = 32201
Retired count = 0
Tentatively Scheduled count = 566
Truly Scheduled count = 0
Parked count = 0
Active, Active Held or Held Suspended count = 0
-----
Prefer in cache count = 560
Hold active in portal count = 0
Avoid Blocking count = 528
High-priority SFDRs count = 0
CPC Stash Enable count = 0
Context-A stashing count = 528
ORP Enable count = 0
Tail-Drop Enable count = 560
```

/sys/kernel/debug/qman/ccsrmempeek

Description:

Provides access to Queue Manager ccsr memory map. This file takes as input an offset from the QMan CCSR base address. The output of this file returns the 32-bit value of the memory address as specified in the input.

For example, to query the QM IP Block Revision 1 register (which is at offset 0xbf8 from the QMan CCSR base address), we would do the following:

```
# echo 0xbf8 > ccsrmempeek
# cat ccsrmempeek
QMan register offset = 0xbf8
value = 0x0a010101
```

/sys/kernel/debug/qman/query_ceetm_xsfdr_in_use

Description:

Query the number of XSFDRs currently in use by the CEETM logic of the DCP portal. This file takes input as the DCP id. The output of the file returns the number of XSFDR in use. Note this feature is only available in T4/B4 rev2 silicon.

For example, if we want to query XSFDR in use number of DCP 0, we would do the following:

```
# echo 0 > query_ceetm_xsfdr_in_use
```

```
# cat query_ceetm_xsfdr_in_use
```

DCP0: CEETM_XSFDR_IN_USE number is 0

7.2.3.2.6.4 BMan debugfs

`/sys/kernel/debug/bman`

Description:

This directory contains various BMan device debugging attributes.

`/sys/kernel/debug/bman/query_bp_state`

Description:

This file requests a snapshot of the availability and depletion state of each of BMan's buffer pools. This is a read-only file.

For example, if we want to perform a query we could use this file in the following manner:

```
# cat query_bp_state
```

```
bp_id free_buffers_avail bp_depleted
```

```
0 yes no
```

```
1 no no
```

```
2 no no
```

```
3 no no
```

```
4 no no
```

```
5 no no
```

```
6 no no
```

```
7 no no
```

```
8 no no
```

```
9 no no
```

```
10 no no
```

```
11 no no
```

```
12 no no
```

```
13 no no
```

```
14 no no
```

```
15 no no
```

```
16 no no
```

```
17 no no
```

```
18 no no
```

```
19 no no
```

```
20 no no
```

```
21 no no
```

```
22 no no
```

23 no no
24 no no
25 no no
26 no no
27 no no
28 no no
29 no no
30 no no
31 no no
32 no no
33 no no
34 no no
35 no no
36 no no
37 no no
38 no no
39 no no
40 no no
41 no no
42 no no
43 no no
44 no no
45 no no
46 no no
47 no no
48 no no
49 no no
50 no no
51 no no
52 no no
53 no no
54 no no
55 no no
56 no no
57 no no
58 no no

59 no no
60 no no
61 no no
62 no no
63 yes no

7.2.3.2.7 Error handling and reporting

This section describes the QMan and BMan error handling and reporting.

7.2.3.2.7.1 Handling and Reporting

The QMan and BMan error interrupt services routines log the occurrence of every error interrupt. Some error interrupts can be triggered multiple times. To prevent a flood of error logging when these interrupts are raised, they are only logged on their first occurrence at which time they are disabled. The logs are generated via the `pr_warning()` kernel api. At the end of the interrupt service routine the ISR register is cleared. These logs are available on the console, `dmesg` and related log file.

The following QMan error conditions are logged a single time:

`QM_EIRQ_PLWI` and `QM_EIRQ_PEBI`.

The following BMan error conditions are logged a single time:

`BM_EIRQ_FLWI` (low water mark).

7.2.3.2.8 Operating system specifics

This section captures OS-specific issues and distinctions, as the rest of the document essentially describes the interfaces in a generalized manner.

7.2.3.2.8.1 Portal maintenance

By default, the Linux kernel initializes QMan and BMan portals to perform all processing via interrupt-handling. As such there are no persistent threads or polling requirements in order to use portals in the Linux kernel.

Whereas for USDPAA (Linux user space), the default is for all processing to be driven by polling, and support for the use of interrupts is disabled. The applications are required to call `qman_poll()` and `bman_poll()` within their run-to-completion loops to ensure that portal processing occurs regularly.

As described in [Section "Processing non-interrupt-driven portal duties \(BMan\)"](#) (for BMan) and [Section "Processing non-interrupt-driven portal duties \(QMan\)"](#) (for QMan), it is also possible to dynamically control at runtime which portal duties are interrupt-driven versus poll-driven, so the aforementioned defaults for Linux are start-up defaults. However, USDPAA needs to be built with `"CONFIG_FSL_DPA_IRQ_SAFETY"` defined in order to allow any duties to be interrupt-driven, whereas it is disabled by default (in `inc/public/conf.h`) due to a very slight performance improvement that it yields.

7.2.3.2.8.2 Callback context

In the Linux kernel, all interrupt-driven portal duties are handled in interrupt context, whereas all other portal duties are invoked from within the `qman_poll()` and `bman_poll()` functions, which are invoked by the application.

In USDPAA, even interrupt-driven portal duties are handled in an application context. Interrupts are handled within the kernel and locally disabled, and the presence of such interrupt events is available to the application via the USDPAA file-descriptor representing the portal devices. Interrupt-driven portal duties are therefore

processed when the application calls the `qman_thread_irq()` and `bman_thread_irq()` functions, and other portal duties are processed when the application calls `qman_poll()` and `bman_poll()`.

7.2.3.2.8.3 Blocking semantics

Many high-level QMan and BMan API functions provide "WAIT" flags, to allow the API to block as part of its operation.

In the Linux kernel, "WAIT" behavior is implemented by allowing the calling thread to sleep until a given condition is satisfied. The limitation then to using "WAIT" flags is that the caller be in atomic context - i. e. not executing within an interrupt handler, tasklet, bottom-half, and so on, nor with any spinlocks held. One consequence is that "WAIT" flags be used within a callback.

On run-to-completion systems such as USDPAA, "WAIT" behavior is unsupported and unavailable.

7.2.4 Configuring DPAA1 Frame Queues

7.2.4.1 Introduction

Describes configurations of Queue Manager (QMan) Frame Queues (FQs) associated with Frame Manager (FMan) network interfaces for the QorIQ Data Path Acceleration Architecture (DPAA1). The relationship of the FMan and the QMan channels and work queues are illustrated by examples.

The basic configuration examples for QMan FQs provided yield straightforward and reliable DPAA1 performance. These simple examples may then be fine-tuned for special use cases. For additional information and understanding of advanced system level features, refer to the DPAA Reference Manual.

DPAA1 provides the networking-specific I/Os, accelerator/offload functions, and basic infrastructure to enable efficient data passing, without locks or semaphores, within the multicore QorIQ SoC between:

1. The network and I/O interfaces through which that data arrives and leaves
2. The accelerator blocks used by the software to assist in processing that data.

Hardware-managed queues which reside in and are managed by the QMan provide the basic infrastructure elements to enable efficient data path communication. The data resides in delimited work units of frames/packets between cores, hardware accelerators and network interfaces. These hardware-managed queues, known as Frame Queues (FQs), are FIFOs of related frames. These frames comprise buffers that hold a data element, generally a packet. Frames can be single buffers or multiple buffers (using scatter/gather lists).

FQ assignment to consumers that is, cores, hardware accelerators, network interfaces, are programmable (not hard coded). Specifically, FQs are assigned to work queues which in turn are grouped into channels. Channels which represent a grouping of FQs from which a consumer can dequeue from, are of two types:

- Pool channel: a channel that can be shared between consumers which facilitates load balancing/spreading. (Applicable to cores only. Does not apply to hardware accelerators or network interfaces)
- Dedicated channel: a channel that is dedicated to a single consumer.

Each pool or dedicated channel has eight (8) work queues. There are two high priority work queues that have absolute, strict priority over the other six (6) work queues which are grouped into medium and low-priority tiers. Each tier contains three work queues which are serviced using a weighted round robin based algorithm. More than one FQ can be assigned to the same work queue as channels implementing a 2-level hierarchical queuing structure. That is, FQs are enqueued/dequeued onto/from work queues. Within a work queue a modified deficit round algorithm is used to determine the number of bytes of data that can be consumed from an FQ at the head of a work queue. The FQ, if not empty, is enqueued back onto the tail of the same work queue once its consumption allowance has been met.

Note:

- *The configuration information provided in this document applies to the QorIQ family of SoCs built on DPAA1 technology*
- *The configuration information provided in this document assumes a top bin platform frequency.*

7.2.4.2 FMan Network interface Frame Queue Configuration

Configuring the QMan Frame Queues (FQs) associated with the FMan network interfaces for QorIQ DPAA1.

Each network interface has an ingress and an egress direction. The ingress direction is defined as the direction from the network interface to the cores. The egress direction is defined as the direction from the cores to the network interfaces.

FQs associated with FMan network interfaces can be either ingress or egress FQs. Ingress FQs are referred to FQs used in the ingress direction to store packets received from network interfaces to be processed by the cores. Egress FQs are referred to FQs used in the egress direction to store packets to be transmitted by FMan out of its network interfaces.

7.2.4.3 FMan network interface ingress FQs configuration

Dependencies for configuration of the ingress Frame Queues (FQs) are dependent on the QMan mechanism used to load balance/spread received packets across the multiple cores in QorIQ DPAA1.

Two mechanisms are offered:

1. Dynamic load balancing
 - Load spread the packets (from ingress FQs) to the cores based on actual core availability/readiness.
 - Achieved through the use of QMan pool channel (that is, a channel which can be shared by multiple cores).
 - Maintaining packet ordering (For example, when packets are being forwarded) is achieved through the following two mechanisms:
 - a. Order preservation; ensures that related packets (For example, a sequence of packets moving between two end points) are processed in order (and typically one at a time).
 - b. Order restoration; allows packets to be processed out of order and then restores their order later on before they are transmitted out to the network interfaces.
 - Improves core work load balancing over a static distribution based approach scheme but will not maintain core affinity because an FQ may get processed by multiple cores.
2. Static distribution
 - Static association between FQs and cores; FQs are always processed by the same core.
 - Achieved through the use of QMan dedicated channel (that is, a channel which supplies FQs to a specific core).
 - Static not dynamic, doesn't react to core load, assigns work to the cores in a static or fixed manner.
 - Does not require any special order preservation/restoration mechanism as packet ordering is implicitly preserved.

For all of these mechanisms, QMan requires that related packets, which must be processed and/or transmitted in order, be placed on the same FQ. This does not mean that only related packets are placed on a given FQ; many sets of related packets ("flows") can be placed on a single FQ. FMan is responsible for achieving this placement/FQ selection function through its distribution capabilities. For instance, FMan can be configured to apply a hash function to a set of packet header fields and use the hash value to select the FQ. This set of packet header fields can be for example, a 5-tuple consisting of:

- source IP address
- destination IP address
- protocol

- source port
- destination port

Note that the FMan processing may be out of order, but it has internal mechanism to ensure that packets are enqueued in order of reception.

These mechanisms can be configured and used simultaneously on an SoC device.

7.2.4.4 Ingress FQs common configuration guidelines

Guidelines and examples for configuring ingress Frame Queues (FQs) in the QorIQ DPAA1 are shown.

Following guidelines apply regardless of the load balancing mechanism(s) configured:

- Maximum number of ingress FQs for all ingress interfaces on the device (including any of the separate FQs that are used to serve as an order restoration point (ORP)): 1024
- Maximum number of ingress FQs per work queue (FIFO of FQs):
 - 64 if the aggregate bandwidth of the configured network interface(s) on the device is higher than 10 Gbit/s.
 - 128 if the aggregate bandwidth of the configured network interface(s) on the device is 10 Gbit/s or lower.
- The aggregate bandwidth of the configured network interface(s) on the device receiving packets into FQs associated to the same work queue should not exceed 10 Gbit/s. In other words, the recommended maximum incoming rate into a single work queue is 10 Gbit/s. If the configured network interface(s) on the device is higher than 10 Gbit/s, then multiple work queues should be used.
- Since the Single Frame Descriptor Record (SFDRs) reservation scheme is recommended for the egress FQs ([FMan network interface egress FQs configuration](#)) and any other FQs assigned to high priority work queues will also use these reserved SFDRs, careful consideration should be given to the required number of ingress FQs assigned to the high priority work queues as SFDRs are a scarce QMan resource (there is a total of 2K SFDRs). One needs to leave sufficient SFDRs for FQs not using the reserved SFDRs (For example, ingress FQs assigned to medium or low-priority work queues).

As an example, if one allocates 1024 ingress FQs and the aggregate bandwidth of the configured network interface(s) on the device is higher than 10 Gbit/s, then a minimum of 16 work queues would be required based on the above guidelines. Assuming that all 1024 FQs are to be scheduled at the same priority using a dynamic load balancing scheme, a minimum of 6 pool channels would need to be used (based on the fact that up to 3 work queues can be used within a medium or low-priority tier).

The guideline “maximum of 1024 ingress FQs for all ingress interfaces” results from the size of the internal memory in QMan that is used to cache Frame Queue Descriptors (FQDs). This internal memory is sized to 2K entries. To achieve high, deterministic and reliable performance under worst-case packet workload (back-to-back 64-byte packets enqueued to FQs on a rotating basis), all ingress FQDs must remain in the QMan internal cache. FQD cache misses increase the time required to enqueue packets as the FQD may need to be read from external memory. This in return could result in received packets being discarded by the MAC due MAC FIFO overflow condition as a result of the back-pressure applied by the FMan to the MAC as there is little buffering between the MAC and the point at which incoming packets are enqueued onto the ingress FQs.

Although a device configured with a number of ingress FQs higher than the size of the QMan FQD internal cache would operate at high performance with no packet discards if the incoming traffic exhibited some level of temporal locality, it is generally recommended that the device be engineered such that ingress path operates at line rate under worst case packet workload to avoid unnecessary packets losses and to make effective use of QMan to prioritize and apply appropriate QoS if there is congestion in a downstream element (For example, cores). Since all FQs defined on the device shared the QMan 2K internal FQD cache, the recommended maximum number of ingress and egress FQs is even more constrained so that there is adequate space left for caching FQDs assigned to accelerators.

With regard to congestion management, the default mechanism for managing ingress FQ lengths is through buffer management. Input to FQs is limited to the availability of buffers in the buffer pool used to supply buffers

to the FQs. Although very efficient and simple, when a buffer pool is shared by multiple FQs, there is no protection between the FQs sharing the buffer pool and as a result an FQ could potentially occupy all the buffers.

Queue management mechanisms can be configured (For example, tail drop/WRED) to improve congestion control however appropriate software must be in place to handle enqueue rejections as a result of queue congestion.

7.2.4.5 Dynamic load balancing with order preservation - ingress FQs configuration guidelines

Dynamic load balancing with order preservation provides a very effective workload distribution technique to achieve optimal utilization of all cores as it distributes packets to the cores based on actual core availability/readiness.

Order preservation allows FQs to be dynamically reassigned from one core to another while preserving per-FQ packet ordering. It never allows packets from the same FQ to be processed at multiple cores at the same time; a specific FQ is only processed by one core at any given time. Once the FQ is released by the core, it can be processed by any of the cores. To keep multiple cores active there must be multiple FQs distributing packets to the cores, each with a set of (potentially) related packets.

In packet-forwarding scenarios, Discrete Consumption Acknowledgment (DCA) embedded in the enqueue commands should be used to forward packets as this ensures that QMan will release the ingress FQ on software's behalf once it has finished processing the enqueue command. This provides order preservation semantic from end-to-end (from dequeue to enqueue). To support the above, software portals that will be issuing DCA notifications to QMan must be configured with DCA mode enabled.

Following are specific configuration guidelines for ingress FQs used for dynamic load balancing with order preservation:

- FQ must be associated to a pool channel (that is, a channel which can be shared by multiple cores).
- Within a pool channel, minimum number of FQs per active portal (core): 4.
- Frame Queue Descriptor (FQD) attributes settings:
 - Prefer in cache.
 - Hold active set.
 - Don't set avoid blocking.
 - Intra-class scheduling (ICS) credit set to 0 unless a more advanced scheduling scheme is required.
 - Don't set force SFDR allocate unless FQ needs performance optimization.
 - FQD CPC stashing enabled.
 - Dequeued Frame Data, Annotation, and FQ Context stashing: application dependent.
 - Order Restoration Point (ORP) disabled.

7.2.4.6 Dynamic load balancing with order restoration - ingress FQs configuration guidelines

Dynamic load balancing with order restoration dispatches packets from the same Frame Queue (FQ) to different processor cores without attempting to maintain order. QMan provides order restoration with specific configurations shown.

The packet order in the original FQ (For example, ingress FQ) is restored once the cores complete its processing and return the packets to QMan for sending to the next destination (For example, egress FQ for transmission).

Dynamic load balancing with order restoration has the advantage that parallel processing of related traffic is possible; allows to process without packet dropping a flow that exceeds the processing rate of a core. However order restoration does make use of more resources than the other distribution schemes. Its usage must also be balanced with applications need to atomically access shared data.

Order restoration is achieved through the following two QMan components:

- Order Definition Points (ODPs)
 - A point through which packets pass, where their order or sequence relative to each other is defined.
 - For convenience each FQ has an ODP for packets dequeued from that FQ.
- Order Restoration Points (ORPs)
 - A point through which packets pass, where their order or sequence is restored to that defined at the related ODP.
 - If a packet is out of sequence it is held until it is in sequence.
 - ORP data structure is maintained in an FQ; it is recommended that a dedicated/separate FQ be allocated solely for this purpose.

Following are specific configuration guidelines for ingress FQs used for dynamic load balancing with order restoration:

- FQ must be associated to a pool channel (that is, a channel which can be shared by multiple cores).
- For each ingress FQ supporting order restoration, a separate FQ should be allocated to serve as the ORP.
- Ingress FQ descriptor attributes settings.
 - Prefer in cache
 - Don't set hold active.
 - Set avoid blocking.
 - Intra-class scheduling (ICS) credit set to 0 unless a more advanced scheduling scheme is required.
 - Don't set force SFDR allocate unless FQ needs performance optimization.
 - FQD CPC stashing enabled.
 - Dequeued Frame Data, Annotation, and FQ Context stashing: application dependent.
 - ORP disabled.

Following are specific configuration guidelines for ORP FQs:

- FQs used for ORP don't need to be associated with a pool or dedicated channel.
- ORP FQ descriptor attributes settings:
 - Prefer in cache.
 - Don't set hold active.
 - Don't set avoid blocking.
 - Intra-class scheduling credit set to 0.
 - Don't set force SFDR allocate.
 - FQD CPC stashing enabled.
 - ORP enabled.
 - Recommended ORP restoration window size: 128.

7.2.4.7 Static distribution - Ingress FQs Configuration Guidelines

With a static distribution approach, a single FQ is always processed by the same processor core. Specific guidelines for processor core affinity are presented.

Although not as effective as a dynamic based approach from a resource utilization aspect, static distribution maintains core affinity meaning that the mapping from the flow to the core is preserved.

Distribution of packets (selection of FQ) can be based on hash keys, ensuring that packets from the same traffic flow will always go to the same cores. The FQ selection function is achieved by FMan.

Following are specific configuration guidelines for ingress FQs used for static distribution:

- FQ must be associated to a dedicated channel (that is, a channel which supplies FQs to a specific core); multiple FQs can be associated to a single dedicated channel.

- Within a dedicated channel, minimum number of FQs: 1.
- FQ descriptor attributes settings:
 - Prefer in cache.
 - Don't set hold active.
 - Don't set avoid blocking.
 - Intra-class scheduling (ICS) credit set to 0 unless a more advanced scheduling scheme is required.
 - Don't set force SFDR allocate unless FQ needs performance optimization.
 - FQD CPC stashing enabled.
 - Dequeued Frame Data, Annotation, and FQ Context stashing: application dependent.
 - ORP disabled.

7.2.4.8 FMan network interface egress FQs configuration

Configuration guidelines for egress Frame Queues (FQs) for QorIQ DPAA1

FQ Configurations:

- Maximum number of egress FQs for all network interfaces: 128.
- Minimum number of egress FQs per network interface: 1.
- Maximum number of egress FQs per work queue: 8.
- Egress FQ descriptor attributes settings:
 - Prefer in cache.
 - Don't set hold active.
 - Don't set avoid blocking.
 - Set force SFDR allocate to ensure that egress queues make use of the reserved SFDRs; the SFDR reservation threshold field of the QMan SFDR configuration register must also be set accordingly (5 SFDRs per egress FQ + 3 extra SFDRs as required by QMan).
 - Intra-class scheduling set to zero (0) unless a more advanced scheduling scheme is required.
 - FQD CPC stashing enabled.
 - ORP disabled.

7.2.4.9 Accelerator Frame Queue Configuration

Configurations for Frame Queues (FQs) used to communicate with accelerators for QorIQ DPAA1 are shown.

FQ accelerator Guidelines:

- Since the Single Frame Descriptor Record (SFDRs) reservation scheme is recommended for the egress FQs ([FMan network interface egress FQs configuration](#)) and any other FQs assigned to high priority work queues also use these reserved SFDRs, careful consideration should be given to the required number of accelerator FQs assigned to the high priority work queues as SFDRs are a scarce QMan resource (there is a total of 2K SFDRs). One needs to leave sufficient SFDRs for FQs not using the reserved SFDRs (for example, accelerator FQs assigned to medium or low priority work queues).
- Accelerator FQ descriptor attributes settings:
 - Don't set prefer in cache.
 - Don't set hold active.
 - Don't set avoid blocking.
 - FQD CPC stashing enabled.
 - Intra-class scheduling (ICS) credit set to 0 unless a more advanced scheduling scheme is required.
 - Don't set force SFDR allocate unless FQ needs performance optimization.

- Dequeued Frame Data, Annotation, and FQ Context stashing: application dependent.
- ORP disabled.

Generally accelerators are used in a request/response manner and in cases where a pair of FQs is needed per session/flow to communicate with accelerators, one may need to allocate a very large number of FQs (in the order of thousands). At times when many FQs allocated to an accelerator are active, this situation can result in having significant amount of cache consumed for storing the corresponding FQ descriptors. This in turn may negatively impact overall system performance.

To ensure optimal resource utilization (for example, QorIQ caches), maximize throughput and avoid overload, it is recommended that the number of outstanding requests/responses to an accelerator be regulated. Typically, for a given accelerator, regulating the number of outstanding requests/responses across all its FQs to a few hundredths should be sufficient to maintain high throughput without overloading the system. Regulating the number of outstanding requests/responses to an accelerator can be achieved through various methods.

One method is to keep track in software of the total number of outstanding requests/responses to an accelerator and once this number exceeds a threshold, software would stop sending requests to that accelerator.

Another method is to make use of the congestion management capabilities of QMan. Specifically, all FQs allocated to an accelerator can be aggregated into a congestion group. Each congestion group can be configured to track the number of Frames in all FQs in the congestion group. Once this number exceeds a configured threshold, the congestion group enters congestion. When a congestion group enters congestion, QMan can be configured to rejects enqueues to any FQs in the congestion group and/or sent notification indicating that the congestion group has entered congestion. If a Frame (or request) is not going to be enqueued, it is returned to the configured destination via an enqueue rejection notification. Congestion state change notifications are generated when the congestion group either enters congestion or exits congestion. On software portals, the congestion state change notification is sent via an interrupt.

7.2.4.10 DPAA1 Frame Queue Configuration Guideline Summary

Summary of Configurations for Frame Queue (FQ) communication with accelerators for QorIQ DPAA1

Four tables comprise this summary:

- Global Configuration settings
- Network interface ingress FQ guidelines
- Network interface egress FQ guidelines
- Accelerator FQ guidelines

Table 55. Global Configuration Settings Summary

Parameter or subject	Guideline
FQD stashing	Recommend QMan explicitly stash FQDs: <ul style="list-style-type: none"> • QMan; both the global CPC stash enable bit in the QMan FQD_AR register and the CPC stash enable bit in the FQD must be set. • PAMU; PAACT tables used by PAMU also configured appropriately.
PFDR stashing	Recommend QMan explicitly stash PFDRs: <ul style="list-style-type: none"> • QMan; the global CPC stash enable bit in the QMan PFDR_AR register must be set. • PAMU; PAACT tables used by PAMU must also be configured appropriately.
SFDR reservation threshold	Set SFDR reservation threshold in QMan SFDR configuration register to: <ul style="list-style-type: none"> • Total number of FQs using reserved SFDRs times 5 (5 SFDRs per FQ) plus 3 extra SFDRs as required by QMan. Recommend that all egress FQs use reserved SFDRs.

Table 56. Network Interface Ingress FQs Guidelines Summary

Parameter or subject	Guideline
Maximum number of ingress FQs for all ingress interfaces on the device (including any of the separate FQs that are used to serve as an order restoration point (ORP))	1024 FQs
Maximum number of ingress FQs per work queue.	<ul style="list-style-type: none"> • 64 FQs per work queue if the aggregate bandwidth of the configured network interface(s) on the device is higher than 10 Gbit/s. • 128 FQs per work queue if the aggregate bandwidth of the configured network interface(s) on the device is 10 Gbit/s or lower.
The maximum aggregate bandwidth of the configured network interface(s) on the device receiving packets into FQs associated to the same work queue	10 Gbit/s
Within a pool channel, minimum number of FQs per active portal (cores).	4 FQs
Within a dedicated channel, minimum number of FQs:	1 FQ
Assignment to high priority work queues.	Should be limited enough to leave sufficient SFDRs for FQs not using the reserved SFDRs (for example, ingress FQs assigned to medium or low priority work queues).
Order restoration point (ORP).	A separate FQ should be allocated and dedicated to serve as the ORP for each ingress FQ supporting order restoration.
Ingress FQ descriptor load balancing and performance-related settings.	<ul style="list-style-type: none"> • Prefer_in_Cache: 1 • CPC Stash Enable: 1 • ORP_Enable: 0 • Avoid_Blocking: <ul style="list-style-type: none"> – 0 if static distribution or dynamic load balancing with order preservation. – 1 if dynamic load balancing with order restoration. • Hold_Active <ul style="list-style-type: none"> – 0 if static distribution or dynamic load balancing with order restoration. – 1 if dynamic load balancing with order preservation. • Force_SFDR_Allocate: 0 unless FQ needs performance optimization. • Intra-Class Scheduling Credit: 0 unless a more advanced scheduling scheme is required.
ORP FQ descriptor order restoration and performance-related settings.	<ul style="list-style-type: none"> • Prefer_in_Cache: 1 • CPC Stash Enable: 1 • ORP_Enable: 1 • Avoid_Blocking: 0 • Hold_Active: 0 • Force_SFDR_Allocate: 0 • ORP Restoration Window Size: 2 (corresponds to window size of 128 frames). • Class Scheduling Credit: 0

Table 57. Network Interface Egress FQs Guidelines Summary

Parameter or subject	Guideline
Maximum number of egress FQs for all network interfaces.	128 FQs
Minimum number of egress FQs per network interface.	1 FQ
Maximum number of egress FQs per work queue.	8 FQs
Egress FQ descriptor performance-related settings.	<ul style="list-style-type: none"> • Prefer_in_Cache: 1 • CPC Stash Enable: 1 • ORP_Enable: 0 • Avoid_Blocking: 0 • Hold_Active: 0 • Force_SFDR_Allocate: 1 • Class Scheduling Credit: 0 unless a more advanced scheduling scheme is required.

Table 58. Accelerator FQs Guidelines Summary

Parameter or subject	Guideline
Assignment to high priority work queues.	Should be limited enough to leave sufficient SFDRs for FQs not using the reserved SFDRs (for example, accelerator FQs assigned to medium or low priority work queues).
Egress FQ descriptor performance-related settings.	<ul style="list-style-type: none"> • Prefer_in_Cache: 0 • CPC Stash Enable: 1 • ORP_Enable: 0 • Avoid_Blocking: 0 • Hold_Active: 0 • Force_SFDR_Allocate: 0 unless FQ needs performance optimization. • Class Scheduling Credit: 0 unless a more advanced scheduling scheme is required.

7.2.5 Frame Manager

7.2.5.1 Frame Manager Linux Driver User Guide

7.2.5.1.1 Introduction

This part is describing the Linux implementation of the driver for the Frame Manager, or FMD.

The Linux FMD implements a set of standard Linux character devices that rely on underlying OS-agnostic FMan drivers to do the actual communication with the hardware. The figure below describes this best:

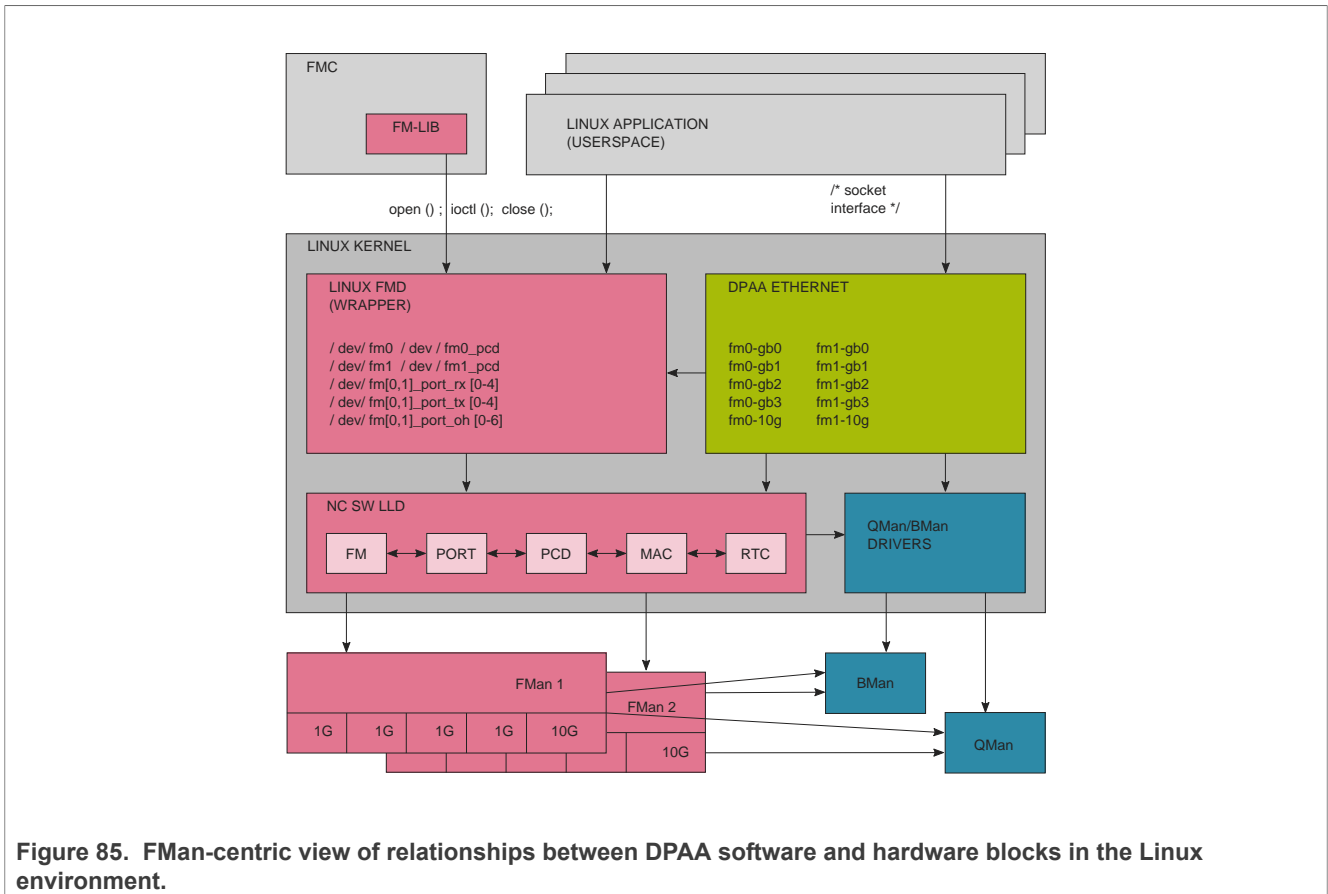


Figure 85. FMan-centric view of relationships between DPAA software and hardware blocks in the Linux environment.

The features of the Linux FMan Driver are the following:

- Performs initialization of the Frame Manager based on platform configuration (device tree), and on probing of the actual hardware;
- Supports Linux user space applications looking to create FMan PCD configurations;
- Attaches/detaches PCDs to/from FMan ports;
- Reports FMan and port status:
 - FMan registers
 - FMan statistics
 - FMan port and MAC counters

The Linux FMan driver does not handle actual network traffic. Network traffic in Linux is being handled exclusively by Linux network devices. Network traffic going through FMan can only be handled by the Linux DPAA Ethernet driver. Although the DPAA Ethernet and the Linux FMan Driver share strong links and interdependencies with the underlying low-level FMD and with each other, their feature sets do not overlap. The DPAA1 Ethernet driver is described in the [Section 7.2.2](#) section.

7.2.5.1.2 The Linux FMD devices

The Linux interface to the FMD consists in several Linux character devices:

- `/dev/fm[0,1]`: Each corresponding to an actual Frame Manager;
- `/dev/fm[0,1]-pcd` : PCD devices, each corresponding to a Frame Manager;
- `/dev/fm[0,1]-port-rx[0-4]`, and `/dev/fm[0,1]-port-tx[0-4]`; Each corresponding to the physical ports of FMan. Each rx/tx device in a pair corresponds to the receive and transmit sides of a physical port.

- /dev/fm[0,1]-port-oh[0-6]: Corresponds to the Offline Parsing ports.

These devices are created and initialized at boot time, based on probing of the physical hardware, as well as on the parsing of the device tree. Each of the physical ports can therefore be disabled from the device tree, but also from the Reset Configuration Word (RCW). See the SoC's Reference Manual for more details.

Note: *The assumption for the remainder of this section is that the device tree and the RCW are immutable.*

Depending on the SoC and RCW/.dts configuration, only certain devices are available .

[Table 59](#) provides the mapping of the devices to the physical ports.

Table 59. Mapping of Linux devices to low-level port IDs.

Linux Device	Low-Level ID	Identification
/dev/fm0-port-rx0/dev/fm0-port-tx0	0	1st FMan's 1st 1GbE Receive, Transmit
/dev/fm0-port-rx1/dev/fm0-port-tx1	1	1st FMan's 2nd GbE Receive, Transmit
/dev/fm0-port-rx2/dev/fm0-port-tx2	2	1st FMan's 3rd GbE Receive, Transmit
/dev/fm0-port-rx3/dev/fm0-port-tx3	3	1st FMan's 4th GbE Receive, Transmit
/dev/fm0-port-rx4/dev/fm0-port-tx4	4	1st FMan's 5th GbE Receive, Transmit
/dev/fm0-port-rx5/dev/fm0-port-tx5	5	1st FMan's 6th GbE Receive, Transmit
/dev/fm0-port-rx6/dev/fm0-port-tx6	6	1st FMan's 1st 10 Gbit Receive, Transmit
/dev/fm0-port-rx7/dev/fm0-port-tx7	7	1st FMan's 2nd 10 Gbit Receive, Transmit
N/A	0	1st FMan's Host Command
/dev/fm0-port-oh0	1	1st FMan's 1st Offline Parsing
/dev/fm0-port-oh1	2	1st FMan's 2nd Offline Parsing
/dev/fm0-port-oh2	3	1st FMan's 3rd Offline Parsing
/dev/fm0-port-oh3	4	1st FMan's 4th Offline Parsing
/dev/fm0-port-oh4	5	1st FMan's 5th Offline Parsing
/dev/fm0-port-oh5	6	1st FMan's 6th Offline Parsing
/dev/fm0-port-oh6	7	1st FMan's 7th Offline Parsing
/dev/fm1-port-rx0/dev/fm1-port-tx0	0	2nd FMan's 1st 1GbE Receive, Transmit
/dev/fm1-port-rx1/dev/fm1-port-tx1	1	2nd FMan's 2nd 1GbE Receive, Transmit
/dev/fm1-port-rx2/dev/fm1-port-tx2	2	2nd FMan's 3rd 1GbE Receive, Transmit
/dev/fm1-port-rx3/dev/fm1-port-tx3	3	2nd FMan's 4th 1GbE Receive, Transmit

Table 59. Mapping of Linux devices to low-level port IDs.....continued

Linux Device	Low-Level ID	Identification
/dev/fm1-port-rx4/dev/fm1-port-tx4	4	2nd FMan's 5th 1GbE Receive, Transmit
/dev/fm1-port-rx5/dev/fm1-port-tx5	5	2nd FMan's 10Gb Receive, Transmit
/dev/fm1-port-rx6/dev/fm1-port-tx6	6	2nd FMan's 1st 10Gb Receive, Transmit
/dev/fm1-port-rx7/dev/fm1-port-tx7	7	2nd FMan's 2nd 10Gb Receive, Transmit
N/A	0	2nd FMan's Host Command
/dev/fm1-port-oh0	1	2nd FMan's 1st Offline Parsing Port
/dev/fm1-port-oh1	2	2nd FMan's 2nd Offline Parsing Port
/dev/fm1-port-oh2	3	2nd FMan's 3rd Offline Parsing Port
/dev/fm1-port-oh3	4	2nd FMan's 4th Offline Parsing Port
/dev/fm1-port-oh4	5	2nd FMan's 5th Offline Parsing Port
/dev/fm1-port-oh5	6	2nd FMan's 6th Offline Parsing Port
/dev/fm1-port-oh6	7	2nd FMan's 7th Offline Parsing Port

The Low-Level IDs are the IDs that are used by the Low-Level Drivers (upon which the Linux FMan Driver is based) to distinguish between the physical ports. It is obvious from the above table that the port ID alone does not allow for uniquely identifying a single port. It has to be combined with the following information in order to successfully point to the desired port:

- FMan ID: 0 or 1 for FMan1 or FMan2, respectively;
- Port type: 1G, 10G or O/H (Offline Parsing/Host Command).

Although all this may seem confusing at first, the LLD API provides convenient enums/macros to deal with these aspects. Furthermore, the FMD driver API tries its best to hide these details from the user space Linux programmer, specifically by using dedicated /dev entries for each port, and so on. However, not all user space-visible API is free of such port IDs, so this is why we even mention them here.

The FMD LLD uses no distinct port IDs for RX and Tx, the distinction between Receive and Transmit being made by calling distinct RX/Tx-specific functions, or by specifying the "RX" or "TX" direction as a separate argument.

The Host Command ports are invisible to the Linux application. One needs to be aware, though, of their mere existence at the least, since the LLD allocates the first physical O/H port of every FMan to this purpose ("O/H" standing for "Offline Parsing/Host Command"). There are 8 such O/H ports on each FMan that can be used for these purposes; the first of these having been dedicated by the LLD to Host Commands, while the remaining 7 being available for Offline Parsing. Host Commands are just one of the vehicles through which the LLD exercises control of the FMan hardware.

Note: Note that depending on the platform, RCW, and .dts configuration not all the possible combinations of devices and ports are possible, and most certainly some will be missing from any existing configuration. For details regarding possible port and device configurations for a specific platform, consult the Reference Manuals for that platform, as well as the relevant chapters from the SDK documentation for that platform.

Alongside these character devices, and out of the scope of this writing, are the Linux network devices, labeled using the fm[1,2]-mac[1-10] (for example, fm1-mac1, fm2-mac3) scheme, which provides the means for Linux to handle actual network traffic, that is, "traffic termination". These network devices are instances of the

Linux DPAA Ethernet Driver, which is architected as a separate entity from the Linux FMan Driver, but which both make use at some point of the same Low-Level Driver FMD API. The feature sets of the DPAA Ethernet and of the Linux FMan drivers are disjunct, though, which is the main reason for their coexistence.

Note: *There is no requirement that these are the only network devices in the system. You may find the well known `eth0`, `eth1`, and so on. devices alongside for example, `fm1-mac1`, except that these other network devices will correspond to other vendors' NICs that may be installed in the system and will be serviced by vendor-specific, non-DPAA, Ethernet drivers.*

There are a few constants #defined in the headers that need to be included when working with the Linux FMD (in both kernel and user spaces) that may come in handy when having to deal with devices and port IDs:

- FM_MAX_NUM_OF_1G_RX_PORTS
- FM_MAX_NUM_OF_10G_RX_PORTS
- FM_MAX_NUM_OF_1G_TX_PORTS
- FM_MAX_NUM_OF_10G_RX_PORTS
- FM_MAX_NUM_OF_RX_PORTS
- FM_MAX_NUM_OF_TX_PORTS
- FM_MAX_NUM_OF_OH_PORTS
- IOC_FM_MAX_NUM_OF_VALID_PORTS

that together with `INTG_MAX_NUM_OF_FM` can give the programmer the essential tools to get around in a specific configuration (this list, though, is not exhaustive: consult the relevant API Reference/header files before attempting to #define your own).

Also, the

```
$ ls /dev/fm*
```

Linux shell command can conveniently show all the FMD devices currently available in the target system.

7.2.5.1.3 Frame Manager Linux Driver API Reference

This document describes the interface (IOCTLs) to the Frame Manager Linux Driver as apparent to user space Linux applications that need to use any of the Frame Manager's features. It describes the structure, concept, functionality, and high-level API.

7.2.5.1.3.1 Linux FMan device

The Linux FMan device corresponds to an individual Frame Manager and it is required for performing FMan-wide actions.

The FMan device merely acts as a portal for the IOCTLs that are listed in the [Table 60](#):

Table 60. IOCTLs for the FMan Device

IOCTL	LLD Mapping	Brief
FM_IOC_SET_PORTS_BANDWIDTH	FM_SetPortsBandwidth()	Sets ports' bandwidths as percentage of total bandwidth.
FM_IOC_GET_REVISION	FM_GetRevision()	API to get the FMan's revision.
FM_IOC_GET_COUNTER	FM_GetCounter()	API to read FMan hardware counters (also available through sysfs).
FM_IOC_SET_COUNTER	FM_ModifyCounter()	API to modify/reset FMan's counters.
FM_IOC_FORCE_INTR	FM_ForceIntr()	Forces an FMan interrupt (or exception). Dangerous! Use for debugging only!

Table 60. IOCTLs for the FMan Device...continued

IOCTL	LLD Mapping	Brief
FM_IOC_GET_API_VERSION	FM_GetApiVersion()	Reads the FMD IOCTL API version.
FM_IOC_VSP_CONFIG	FM_VSP_Config()	Creates descriptor for the FM VSP module.
FM_IOC_VSP_INIT	FM_VSP_Init()	Initializes the FM VSP module
FM_IOC_VSP_FREE	FM_VSP_Free()	Frees all resources that were assigned to FM VSP module.
FM_IOC_VSP_CONFIG_POOL_DEPLETION	FM_VSP_ConfigPoolDepletion()	Calling this routine enables pause frame generation depending on the depletion status of BM pools. It also defines the conditions to activate this functionality. By default, this functionality is disabled.
FM_IOC_VSP_CONFIG_BUFFER_PREFIX_CONTENT	FM_VSP_ConfigBufferPrefixContent()	Defines the structure, size and content of the application buffer.
FM_IOC_VSP_CONFIG_NO_SG	FM_VSP_ConfigNoScatherGather()	Returns the pointer to the parse result in the data buffer. In Rx ports this is relevant after reception, if parse result is configured to be part of the data passed to the application. For non-Rx ports it may be used to get the pointer of the area in the buffer where parse result should be initialized - if so configured. See FM_VSP_ConfigBufferPrefixContent for data buffer prefix configuration.
FM_IOC_CTRL_MON_START	FM_CtrlMonStart()	Start monitoring utilization of all available FM controllers.
FM_IOC_CTRL_MON_STOP	FM_CtrlMonStop()	Stop monitoring utilization of all available FM controllers.
FM_IOC_CTRL_MON_GET_COUNTERS	FM_CtrlMonGetCounters()	Obtain FM controller utilization parameters.

All the IOCTL-mapped LLD APIs are what the LLD terms as "callable at runtime", that is, callable after the LLD Init() function for the corresponding entity has been called. This is so because by the time the user app. gets to invoke ioctl(), all the Init() functions have already been called by the initialization code of the Linux FMD at boot time.

7.2.5.1.3.2 Linux PCD device

There is exactly one PCD device, or /dev/fmX-pcd, for each Frame Manager. The reason for that is that PCDs are FMan-wide constructs, and are applied simultaneously to traffic being received on possibly more than one port.

"PCD" is a generic term designating a Parse-Classify-Distribute configuration for a group of ports, as described in detail in the **QorIQ Data Path Acceleration Architecture (DPAA) Reference Manual**. In short, what a PCD does is to route incoming traffic from a set of RX ports onto several frame queues managed by the Queue Manager. Such frame queues may be attached to a DPAA Ethernet network device, in which case the traffic is received by the CPUs (or "terminated"), or they can be connected to a TX port, in which case the traffic is being forwarded onto that port. Also, frame queues can be further grouped into work queues and policed, and so on. (read the QMan documentation). However, one thing is not supported in the Linux environment, and that

is: direct access to frame queues from user space (note that this is not a limitation of the Linux FMD, but one enforced by design in the Linux driver for the QMan). Not in the classical meaning of "Linux environment", that is.

There is still a lot that can be achieved with the Linux FMD, and the Linux PCD device is there to help. Its role is to manage the PCDs for its associated FMan. The ioctls for this device are mapped to the similarly sounding FM_PCD_*() LLD APIs:

Table 61. IOCTL List for the PCD Device

IOCTL	LLD Mapping	Brief
FM_PCD_IOC_ENABLE	FM_PCD_Enable()	Should be called after PCD is initialized for enabling all PCD engines according to their existing configuration.
FM_PCD_IOC_DISABLE	FM_PCD_Disable()	Disables an existing PCD.
FM_PCD_IOC_PRS_LOAD_SW[_COMPAT]	FM_PCD_PrsLoadSw()	This routine may be called only when all ports in the system are actively using the classification plan scheme. In such cases it is recommended in order to save resources. The driver automatically saves 8 classification plans for ports that do NOT use the classification plan mechanism; to avoid this (in order to save those entries) this routine may be called.
FM_PCD_IOC_KG_SET_DFLT_VALUE	FM_PCD_KgSetDfltValue()	Sets a global default value to be used by the key generator when the parser does not recognize a required field/header (default 0).
FM_PCD_IOC_KG_SET_ADDITIONAL_DATA_AFTER_PARSING	FM_PCD_KgSetAdditionalDataAfterParsing()	Calling this routine allows the keygen to access data past the parser finishing point.
FM_PCD_IOC_SET_EXCEPTION	FM_PCD_SetException()	Enables/disables PCD interrupts.
FM_PCD_IOC_GET_COUNTER	N/A	Unimplemented, do not use!
FM_PCD_IOC_SET_COUNTER	N/A	Placeholder, do not use!
FM_PCD_IOC_FORCE_INTR	FM_PCD_ForceIntr()	Forces a PCD interrupt (exception) of specified type. Dangerous! Use only for debugging!
FM_PCD_IOC_NET_ENV_CHARACTERISTICS_SET[_COMPAT]	FM_PCD_NetEnvCharacteristicsSet()	Establishes a minimal set of networking protocols ("Network Environment Characteristics") that can

Table 61. IOCTL List for the PCD Device...continued

IOCTL	LLD Mapping	Brief
		be discovered by this PCD (refer to the Reference Manual for details).
FM_PCD_IOC_NET_ENV_CHARACTERISTICS_DELETE[_COMPAT]	FM_PCD_NetEnvCharacteristicsDelete()	Deletes a set of "Network Environment Characteristics".
FM_PCD_IOC_KG_SCHEME_SET[_COMPAT]	FM_PCD_KgSchemeSet()	Initializes or modifies and enables a scheme for the KeyGen. This routine should be called for adding or modifying a scheme. When a scheme needs modifying, the API requires that it be rewritten. In such a case <code>modify</code> should be TRUE. If the routine is called for a valid scheme and <code>modify</code> is FALSE, it will return error.
FM_PCD_IOC_KG_SCHEME_DELETE[_COMPAT]	FM_PCD_KgSchemeDelete()	Deletes an initialized scheme.
FM_PCD_IOC_CC_ROOT_BUILD[_COMPAT]	FM_PCD_CcRootBuild()	This routine must be called to define a complete coarse classification tree. This is the way to define coarse classification to a certain flow - the KeyGen schemes may point only to trees defined in this way.
FM_PCD_IOC_CC_ROOT_DELETE[_COMPAT]	FM_PCD_CcRootDelete()	Deletes an existing coarse classification tree.
FM_PCD_IOC_MATCH_TABLE_SET[_COMPAT]	FM_PCD_MatchTableSet()	This routine should be called for each CC (coarse classification) node. The whole CC tree should be built bottom up so that each node points to already defined nodes. <code>p_node_id</code> returns the node Id to be used by other nodes.
FM_PCD_IOC_MATCH_TABLE_DELETE[_COMPAT]	FM_PCD_MatchTableDelete()	Deletes a built node.
FM_PCD_IOC_CC_ROOT_MODIFY_NEXT_ENGINE[_COMPAT]	FM_PCD_CcRootModifyNextEngine()	Modifies the Next Engine Parameters in the entry of the tree (allowed only after <code>FM_PCD_CcBuildTree()</code>).
FM_PCD_IOC_MATCH_TABLE_MODIFY_NEXT_ENGINE[_COMPAT]	FM_PCD_MatchTableModifyNextEngine()	Modifies the Next Engine Parameters in the relevant key entry of the node (possible only after a call

Table 61. IOCTL List for the PCD Device...continued

IOCTL	LLD Mapping	Brief
		to FM_PCD_MatchTableSet()).
FM_PCD_IOC_MATCH_TABLE_MODIFY_MISS_NEXT_ENGINE[_COMPAT]	FM_PCD_MatchTableModifyMissNextEngine()	Modifies the Next Engine Parameters of the Miss key case of the node (allowed only after a previous call to FM_PCD_MatchTableSet()).
FM_PCD_IOC_MATCH_TABLE_REMOVE_KEY[_COMPAT]	FM_PCD_MatchTableRemoveKey()	Removes the key (including its next engine parameters) defined by the index of the relevant node (allowed only after a previous call to FM_PCD_MatchTableSet())
FM_PCD_IOC_MATCH_TABLE_ADD_KEY[_COMPAT]	FM_PCD_MatchTableAddKey()	Adds the key (including next engine parameters of this key) in the index defined by <code>key_index</code> (allowed only after a previous call to FM_PCD_MatchTableSet())
FM_PCD_IOC_MATCH_TABLE_MODIFY_KEY_AND_NEXT_ENGINE[_COMPAT]	FM_PCD_MatchTableModifyKeyAndNextEngine()	Modifies the key and Next Engine Parameters of this key in the index defined by <code>key_index</code> (allowed only after a previous call to FM_PCD_MatchTableSet()).
FM_PCD_IOC_MATCH_TABLE_MODIFY_KEY[_COMPAT]	FM_PCD_MatchTableModifyKey()	Modifies the key at the index defined by <code>key_index</code> (allowed only after a previous call to FM_PCD_MatchTableSet()).
FM_PCD_IOC_HASH_TABLE_SET[_COMPAT]	FM_PCD_HashTableSet()	Initializes a hash table structure.
FM_PCD_IOC_HASH_TABLE_DELETE[_COMPAT]	FM_PCD_HashTableDelete()	Deletes the provided hash table and released all its allocated resources.
FM_PCD_IOC_HASH_TABLE_ADD_KEY[_COMPAT]	FM_PCD_HashTableAddKey()	Adds the provided key (including next engine parameters of this key) to the hash table. The key is added as the last key of the bucket that it is mapped to.
FM_PCD_IOC_HASH_TABLE_REMOVE_KEY[_COMPAT]	FM_PCD_HashTableRemoveKey()	Removes the requested key (including its next engine parameters) from the hash table.
FM_PCD_IOC_PLCR_PROFILE_SET[_COMPAT]	FM_PCD_PlcrProfileSet()	Sets a profile entry in the policer profile table,

Table 61. IOCTL List for the PCD Device...continued

IOCTL	LLD Mapping	Brief
		overriding any existing value.
FM_PCD_IOC_PLCR_PROFILE_DELETE[_COMPAT]	FM_PCD_PlcrProfileDelete()	Deletes a profile entry in the policer profile table. It sets the entry to invalid.
FM_PCD_IOC_MANIP_NODE_SET[_COMPAT]	FM_PCD_ManipNodeSet()	This routine should be called for defining a manipulation node. A manipulation node must be defined before the CC node that precedes it.
FM_PCD_IOC_MANIP_NODE_REPLACE[_COMPAT]	FM_PCD_ManipNodeReplace()	Change existing manipulation node to be according to new requirement.
FM_PCD_IOC_MANIP_NODE_DELETE[_COMPAT]	FM_PCD_ManipNodeDelete()	Deletes an existing manipulation node.
FM_PCD_IOC_SET_ADVANCED_OFFLOAD_SUPPORT	FM_PCD_SetAdvancedOffloadSupport()	This routine must be called in order to support the following features: IP-fragmentation, IP-reassembly, IPsec, header manipulation, frame replicator.
FM_PCD_IOC_FRM_REPLIC_GROUP_SET[_COMPAT]	FM_PCD_FrmReplicSetGroup()	Initialize a Frame Replicator group.
FM_PCD_IOC_FRM_REPLIC_GROUP_DELETE[_COMPAT]	FM_PCD_FrmReplicDeleteGroup()	Delete a Frame Replicator group.
FM_PCD_IOC_FRM_REPLIC_MEMBER_ADD[_COMPAT]	FM_PCD_FrmReplicAddMember()	Add the member in the index defined by the memberIndex.
FM_PCD_IOC_FRM_REPLIC_MEMBER_REMOVE[_COMPAT]	FM_PCD_FrmReplicRemoveMember()	Remove the member defined by the index from the relevant group.
FM_PCD_IOC_STATISTICS_SET_NODE[_COMPAT]	FM_PCD_StatisticsSetNode()	Not implemented in this release. Do not use!
FM_PCD_IOC_KG_SCHEME_GET_CNTR	FM_PCD_KgSchemeGetCounter()	Reads scheme packet counter.

Note: The *_COMPAT* variants of certain IOCTLs in the above table are required for supporting 32-bit user space apps. on 64-bit Linux kernels. The specifics of the *COMPAT* mappings are documented by Linux.

The programming model for defining and managing PCDs for a group of ports is the same as described in the **FMD LLD User's Guide** .

What follows is a step-by-step description of an example of ioctl() call mapping to an LLD API call.

The example chosen for this walk-through is that of `FM_PCD_IOC_MATCH_TABLE_SET`. Here's a reminder of the `ioctl()` prototype:

```
extern int ioctl (int __fd, unsigned long int __request, ...) __THROW;
```

and below is how it appears to kernel space:

```
struct file_operations {
    [...]
    long (*unlocked_ioctl) (struct file *, unsigned int, unsigned long);
    [...]
};
```

The `ioctl()` function is actually a pointer to a driver-supplied function having the specified signature. The glue between the two is kernel code.

The semantics associated with the second and third function arguments are entirely the driver's business, but usually the `unsigned int` argument is used to discriminate between various `ioctl` commands (actually, it should obey some Linux good-behavior rules, which we are not going to detail here). In our case, it should be `FM_PCD_IOC_MATCH_TABLE_SET`.

Linux attaches no predefined semantics to the third argument, the `unsigned long` one. In some cases it is unused, or its semantics are those of an unsigned integer number, but in most cases it is treated as a (32-bit, on most platforms) pointer to a driver-defined structure in user space. The driver defines the format, but the user space allocates and fills in the data prior to invoking `ioctl()` on the open device `fd`. This is also the case with our example.

The format of the third argument of the `FM_PCD_IOC_MATCH_TABLE_SET` `ioctl` is (as it actually appears in the header file where it's defined):

```
/******//**
@Description  A structure for defining the CC node params
**//*****/
typedef struct ioc_fm_pcd_cc_node_params_t {
    ioc_fm_pcd_extract_entry_t extract_cc_params;
    extraction                               /**< params which defines
                                           parameters */
    ioc_keys_params_t                        keys_params;           /**< params which defines Keys
defined                                     parameters of the extraction
    void                                     *id;                   in extract_cc_params */
                                           /**< output parameter;
                                           Returns the CC node Id to be used
*/
} ioc_fm_pcd_cc_node_params_t;
```

We'll detail the `ioc_*` types of the first two members later. The third member of this structure is apparently a pointer to some data structure being returned back to user space. It is not the case. This actual pointer should be handled as an opaque handle to some abstract item, in our case the "CC Node" that's being created for us by this `ioctl()` call if successful. This handle can be later passed to for example, the `FM_PCD_IOC_MATCH_TABLE_DELETE` IOCTL for deletion. It corresponds to an actual `t_Handle`, as defined by the LLD.

Note: *Failing to clean up FMan resources that the LLD allocates in this manner can cause serious hardware resource leaks, which neither the Linux FMD, nor the LLD have the means to detect and clean up automatically!*

The LLD function that this IOCTL maps to has the following prototype:

```
t_Handle FM_PCD_MatchTableSet(t_Handle, t_FmPcdCcNodeParams *);
```

The first argument corresponds to the LLD resource that the Linux PCD device maps to. Most of the LLD resources are managed within the Linux FMD driver and not exposed to the user, but there are exceptions and the FM_PCD_MatchTableSet() function here is the best example, as it returns a t_Handle to such an LLD resource. This returned t_Handle is then passed over to the user space in the opaque id member of ioctl()'s third argument.

The second argument is a pointer to a structure of type t_FmPcdCcNodeParams. This maps to the ioc_fm_pcd_cc_node_params_t type that ioctl()'s third argument points to.

Note: Passing to ioctl() a pointer to something of a type other than the required one will cause the user application to segfault, or an error, at best, but may also cause undefined FMan behavior from that point onward, with errors being possibly reported only later downstream as the worst case. Linux/the FMD can do very little to prevent this worst case from occurring, so hopefully one can catch such coding errors early during the development cycle.

A side-by-side comparison of the two structures is given in the following table:

Table 62. Side-by-side comparison of IOCTL and LLD types

IOCTL Types	LLD Types
<pre>typedef struct ioc_fm_pcd_cc_node_params_t { ioc_fm_pcd_extract_entry_t extract_cc_params; ioc_keys_params_t keys_params; void *id; } ioc_fm_pcd_cc_node_params_t;</pre>	<pre>typedef struct t_FmPcdCcNodeParams { t_FmPcdExtractEntry extractCcParams; t_KeysParams keysParams; } t_FmPcdCcNodeParams;</pre>
<pre>typedef struct ioc_fm_pcd_extract_entry_t { ioc_fm_pcd_extract_type type; union { struct { ioc_net_header_type hdr; bool ignore_protocol_validation; ioc_fm_pcd_hdr_index hdr_index; ioc_fm_pcd_extract_by_hdr_type type; union { ioc_fm_pcd_from_hdr_t from_hdr; ioc_fm_pcd_from_field_t from_field; ioc_fm_pcd_fields_u full_field; } extract_by_hdr_type; } extract_by_hdr; struct { ioc_fm_pcd_extract_from src; ioc_fm_pcd_action action; uint16_t ic_indx_mask; uint8_t offset; uint8_t size; } extract_non_hdr; } extract_params; } ioc_fm_pcd_extract_entry_t;</pre>	<pre>typedef struct t_FmPcdExtractEntry { e_FmPcdExtractType type; union { struct { e_NetHeaderType hdr; bool ignoreProtocolValidation; e_FmPcdHdrIndex hdrIndex; e_FmPcdExtractByHdrType type; union { t_FmPcdFromHdr fromHdr; t_FmPcdFromField fromField; t_FmPcdFields fullField; } extractByHdrType; } extractByHdr; struct { e_FmPcdExtractFrom src; e_FmPcdAction action; uint16_t icIndxMask; uint8_t offset; uint8_t size; } extractNonHdr; }; } t_FmPcdExtractEntry;</pre>
<pre>typedef struct ioc_keys_params_t { uint16_t max_num_of_keys; bool mask_support; ioc_fm_pcd_cc_stats_mode statistics_mode; uint16_t num_of_keys; uint8_t key_size; ioc_fm_pcd_cc_key_params_t key_params[IOC_FM_PCD_MAX_NUM_OF_KEYS]; ioc_fm_pcd_cc_next_engine_params_t cc_next_engine_params_for_miss; } ioc_keys_params_t;</pre>	<pre>typedef struct t_KeysParams { uint16_t maxNumOfKeys; bool maskSupport; ioc_fm_pcd_cc_stats_mode statisticsMode; uint16_t numOfKeys; uint8_t keySize; t_FmPcdCcKeyParams keyParams[FM_PCD_MAX_NUM_OF_KEYS]; t_FmPcdCcNextEngineParams ccNextEngineParamsForMiss; } t_KeysParams;</pre>

While the structure members have resembling names on both sides, most are not identical. That's because style has prevailed over the need to port existing LLD applications to the Linux environment, when the Linux FMD was designed. Except for the occasional *id pointer, there is a 1:1 mapping between the struct members on the two sides, and that is consistent throughout the FMD.

The constituent structures of the two APIs' argument types given above are for illustration only. Their semantics are documented in the [Frame Manager Driver API Documentation](#).

Note: *The existence of two separate definitions for otherwise two identical data structures may appear as an unfortunate design decision. However, since a memcpy from user space to kernel space is unavoidable, this design decision has no impact over performance. Moreover, the user space only sees one variant (that is, the `ioc_*` one), therefore the even smaller user impact. The larger impact is on code maintenance and on documentation.*

7.2.5.1.3.3 Linux port devices

There is a pair of RX/TX Linux character devices for each physical port of every Frame Manager. These devices are created irrespectively of the DPAA1 Ethernet network devices and they are strictly reflecting the available Frame Manager hardware on the given platform. The port Linux devices are labeled as follows:

- `/dev/fmX-port-rxY` for receive, where $X=[0,1]$ represents the FMan number, and $Y=[0-7]$ represents the physical port ID (0 corresponding to the first 1 Gbit port, and 6 to the first 10 Gbit port), and
- `/dev/fmX-port-txY` correspondingly for the transmit side.

Each FMan also has a number of Offline Parsing ports. These are labeled as `/dev/fmX-port-ohY`, where $Y=[0-6]$.

The port devices are created based on configuration information taken from the relevant Linux device tree section.

For instance, LS1043A has one FMan with 6 x 1 Gbit ports and one 10 Gbit port, while LS1046A has one FMan with 6 x 1 Gbit and 2 x 10 Gbit ports. A side-by-side comparison of the corresponding port devices is given in the following table:

Table 63. Side-by-side comparison of port devices for LS1043 and LS1046

LS1043A	LS1046A
For the Receive side: <pre>/dev/fm0-port-rx0 /dev/fm0-port-rx1 / dev/fm0-port-rx2 /dev/fm0-port-rx4 / dev/fm0-port-rx5 /dev/fm0-port-rx6</pre>	For the Receive side: <pre>/dev/fm0-port-rx0 /dev/fm0-port-rx1 / dev/fm0-port-rx2 /dev/fm0-port-rx3 / dev/fm0-port-rx4 /dev/fm0-port-rx5 / dev/fm0-port-rx6 /dev/fm0-port-rx7</pre>
For the Transmit side: <pre>/dev/fm0-port-tx0 /dev/fm0-port-tx1 / dev/fm0-port-tx2 /dev/fm0-port-tx3 / dev/fm0-port-tx4 /dev/fm0-port-tx5 / dev/fm0-port-tx6</pre>	For the Transmit side: <pre>/dev/fm0-port-tx0 /dev/fm0-port-tx1 / dev/fm0-port-tx2 /dev/fm0-port-tx3 / dev/fm0-port-tx4 /dev/fm0-port-tx5 / dev/fm0-port-tx6 /dev/fm0-port-tx7</pre>
For Offline Parsing: <pre>/dev/fm0-port-oh0 /dev/fm0-port-oh1 / dev/fm0-port-oh2 /dev/fm0-port-oh3 / dev/fm0-port-oh4 /dev/fm0-port-oh5</pre>	For Offline Parsing: <pre>/dev/fm0-port-oh0 /dev/fm0-port-oh1 / dev/fm0-port-oh2 /dev/fm0-port-oh3 / dev/fm0-port-oh4 /dev/fm0-port-oh5</pre>

The table below summarizes the IOCTLs available for the port device.

Table 64. IOCTLs of the Port Device

IOCTLS	LLD Mapping	Brief
<code>FM_PORT_IOC_DISABLE</code>	<code>FM_PORT_Disable()</code>	Disables the port: all port settings are preserved, but all traffic stops.

Table 64. IOCTLs of the Port Device...continued

IOCTLS	LLD Mapping	Brief
FM_PORT_IOC_ENABLE	FM_PORT_Enable()	Enables the port: causes the port to start processing traffic.
FM_PORT_IOC_SET_RATE_LIMIT	FM_PORT_SetRateLimit()	(TX & O/H Only) Activates the Rate Limiting Algorithm for the port.
FM_PORT_IOC_DELETE_RATE_LIMIT	FM_PORT_DeleteRateLimit()	(TX & O/H Only) Deactivates any Rate Limiting.
FM_PORT_IOC_SET_ERRORS_ROUTE	FM_PORT_SetErrorsRoute()	(RX & O/H Only) Instructs the FMD to enqueue frames w/specific errors onto the normal port queues, rather than onto the error queue (that is, the default).
FM_PORT_IOC_ALLOC_PCD_FQIDS	N/A	For testing/debugging. Do not use!
FM_PORT_IOC_FREE_PCD_FQIDS	N/A	For testing/debugging. Do not use!
FM_PORT_IOC_SET_PCD[_COMPAT]	FM_PORT_SetPCD()	(RX & O/H Only) Defines a PCD configuration for the port.
FM_PORT_IOC_DELETE_PCD	FM_PORT_DeletePCD()	(RX & O/H Only) Deletes the port's PCD configuration.
FM_PORT_IOC_DETACH_PCD	FM_PORT_DetachPCD()	(RX & O/H Only) Disables the PCD configuration for the port (only allowed after FM_PORT_SetPCD() has been called for the port).
FM_PORT_IOC_ATTACH_PCD	FM_PORT_AttachPCD()	(RX & O/H Only) reenables the PCD configuration for the port (only valid after a call to FM_PORT_DetachPCD()).
FM_PORT_IOC_PCD_PLCR_ALLOC_PROFILES	FM_PORT_PcdPlcrAllocProfiles()	(RX & O/H Only) Allocates private policer profiles for the port (only allowed before a call to FM_PORT_SetPCD()).
FM_PORT_IOC_PCD_PLCR_FREE_PROFILES	FM_PORT_PcdPlcrFreeProfiles()	(RX & O/H Only) Frees any private policer profiles allocated for the port (callable only before FM_PORT_SetPCD()).
FM_PORT_IOC_PCD_KG_MODIFY_INITIAL_SCHEME[_COMPAT]	FM_PORT_PcdKgModifyInitialScheme()	(RX & O/H Only) Modifies key generation scheme following frame parsing (callable only after FM_PORT_SetPCD()).
FM_PORT_IOC_PCD_PLCR_MODIFY_INITIAL_PROFILE[_COMPAT]	FM_PORT_PcdPlcrModifyInitialProfile()	(RX & O/H Only) Changes the initial policer profile for the port (callable only after FM_PORT_SetPCD()).
FM_PORT_IOC_PCD_CC_MODIFY_TREE[_COMPAT]	FM_PORT_PcdCcModifyTree()	(RX & O/H Only) Replaces the coarse classification tree if one is used for the port (callable only after FM_PORT_DetachPCD() and before FM_PORT_AttachPCD()).
FM_PORT_IOC_PCD_KG_BIND_SCHEMES[_COMPAT]	FM_PORT_PcdKgBindSchemes()	(RX & O/H Only) Adds more KeyGen schemes for the port to be bound to

Table 64. IOCTLS of the Port Device...continued

IOCTLS	LLD Mapping	Brief
		(callable only after FM_PORT_SetPCD()).
FM_PORT_IOC_PCD_KG_UNBIND_SCHEMES[_COMPAT]	FM_PORT_PcdKgUnbindSchemes()	(RX & O/H Only) Prevents the port from using the specified KG schemes (callable only after FM_PORT_SetPCD())
FM_PORT_IOC_PCD_PRS_MODIFY_START_OFFSET	FM_PORT_PcdPrsModifyStartOffset()	(RX & O/H Only) Changes the frame offset at which parsing starts (callable only after FM_PORT_DetachPCD() and before FM_PORT_AttachPCD()).
FM_PORT_IOC_ADD_CONGESTION_GRPS	FM_PORT_AddCongestionGrps()	(RX & O/H Only) Should be called in order to enable pause frame transmission in case of congestion in one or more of the congestion groups relevant to this port. Each call to this routine may add one or more congestion groups to be considered relevant to this port.
FM_PORT_IOC_REMOVE_CONGESTION_GRPS	FM_PORT_RemoveCongestionGrps()	(RX & O/H Only) Should be called when congestion groups were defined for this port and are no longer relevant, or pause frames transmitting is not required on their behalf. Each call to this routine may remove one or more congestion groups to be considered relevant to this port.
FM_PORT_IOC_ADD_RX_HASH_MAC_ADDR	FM_MAC_AddHashMacAddr()	Add an Address to the hash table. This is for filter purpose only.
FM_PORT_IOC_REMOVE_RX_HASH_MAC_ADDR	FM_MAC_RemoveHashMacAddr()	Delete an Address to the hash table. This is for filter purpose only.
FM_PORT_IOC_SET_TX_PAUSE_FRAMES	FM_MAC_SetTxPauseFrames()	Enable/Disable transmission of Pause-Frames. The routine changes the default configuration: pause-time - [0xf000], threshold-time - [0]
FM_PORT_IOC_GET_MAC_STATISTICS	FM_MAC_GetStatistics()	Get all MAC statistics counters.
FM_PORT_IOC_CONFIG_BUFFER_PREFIX_CONTENT	FM_PORT_ConfigBufferPrefixContent()	Defines the structure, size and content of the application buffer.
FM_PORT_IOC_VSP_ALLOC[_COMPAT]	FM_PORT_VSPAlloc()	This routine allocated VSPs per port and forces the port to work in VSP mode. Note that the port is initialized by default with the physical-storage-profile only.

Note: The *COMPAT* variants of certain IOCTLS in the above table are required for supporting 32-bit user space apps. on 64-bit Linux kernels. The specifics of the *COMPAT* mappings are documented by Linux.

The programming model for managing the FMan's ports is the same as described in the *Frame Manager Driver API Reference*. A few notable mentions though:

Although all the above IOCTLs are implemented by the Linux FMD, due to the asymmetry between RX and TX, not all are available for any port type. For example, `FM_PORT_IOC_SET_PCD` will generate an error if called on a TX port device. Similarly, `FM_PORT_IOC_SET_RATE_LIMIT` will fail for an RX port. That is because the checking of the port type is being done late, inside the LLD, and not in the Linux FMD (that is, the `ioctl()` calls for all port devices delegate to the same function inside the Linux kernel)!

The Offline Parsing ports have the best of both worlds. That is because conceptually, an O/H port is no different from a "regular" FMan port that has the TX side looped back internally to its RX side.

7.2.5.2 Frame Manager Driver User Guide

7.2.5.2.1 Introduction

The Frame Manager is a hardware accelerator responsible for preprocessing and moving packets into and out of the data path. It supports in-line/off-line packet parsing and initial classification to enable policing and flow/QoS based packet distribution to the CPUs for further processing of the packets.

The Frame Manager consists of a number of packet processing elements (also referred to as engines) and supports a flexible pipeline.

Usually, the main Rx flow (simplified) follows these steps:

1. The packets received from one of the Ethernet MACs are temporarily stored in the FMan internal memory and then delivered to SoC memory via the FMan DMA.
2. The packet header (max size 256 bytes) is stored and the modules common database structure is allocated.
3. The packet is parsed by the parser or by the FMan controller.
According to parsing results a key may be extracted by KeyGen, a destination frame-queue-id may be set, the packet may be classified by the FMan controller. In that stage, some offloads may be done, such as reassembly, fragmentation, header-manipulation and frame-replication.
At the end of the classification and manipulations stage, the packet may be colored by policer.
At the end of this process, the packets are delivered to SoC memory via the FMan DMA and then they are enqueued to a frame queue or dropped.
The processing order is Parse-Classify-Distribute (PCD) flow dependent, based on user configurations. Each step is dependent on previous state results. This structure enables flexibility, which efficiently supports many flows.
4. On Tx, the frames are transmitted via the desired MAC with optional checksum generation.

7.2.5.2.2 Frame Manager Features

The FMan driver aims to support the majority of the hardware features. It also includes exclusive software features designed to provide facilitation through abstraction.

Following are the features of the FMan driver:

- Simple initialization and configuration API for the following FMan blocks: DMA, FPM, IRAM, QMI, BMI, and RTC.
- Simple initialization and configuration for the following FMan PCD blocks: Parser, Keygen, Custom-Classifer (CC), Manipulations (for example, Header-manipulations, IP-reassembly, IP-fragmentation, and so on.) and Policer.
- FMan memory (MURAM) management.
- FMan-controller code loading.
- Software-Parser loading.
- Supported all FMan port types-Rx, Tx, Offline-Parsing, and Host-Command (internal use of the driver only)

- Common MAC API for dTSEC, 10G-MAC and mEMAC.
- Provides API for accessing the MII management interface.
- FMan Rx and Tx ports can run in one of the following modes:
 - Independent-Mode
 - Simple BMI-to-BMI (regular) mode
 - Advance PCD mode (using FMan PCD blocks such as parser, Keygen, CC, and Policer).
- FMan Offline ports can run in one of the following modes:
 - Simple BMI-to-BMI (regular) mode
 - Advance PCD mode (using FMan PCD blocks such as parser, Keygen, CC, and Policer)
- Internal (optional) Host-Command port initialization, based on user's parameters.
- FMan IRQ handling - events and exceptions.
- Supports both SMP and AMP operation modes.

7.2.5.2.3 Frame Manager Driver Components

The FMan driver contains following low-level modules, as shown in this figure.

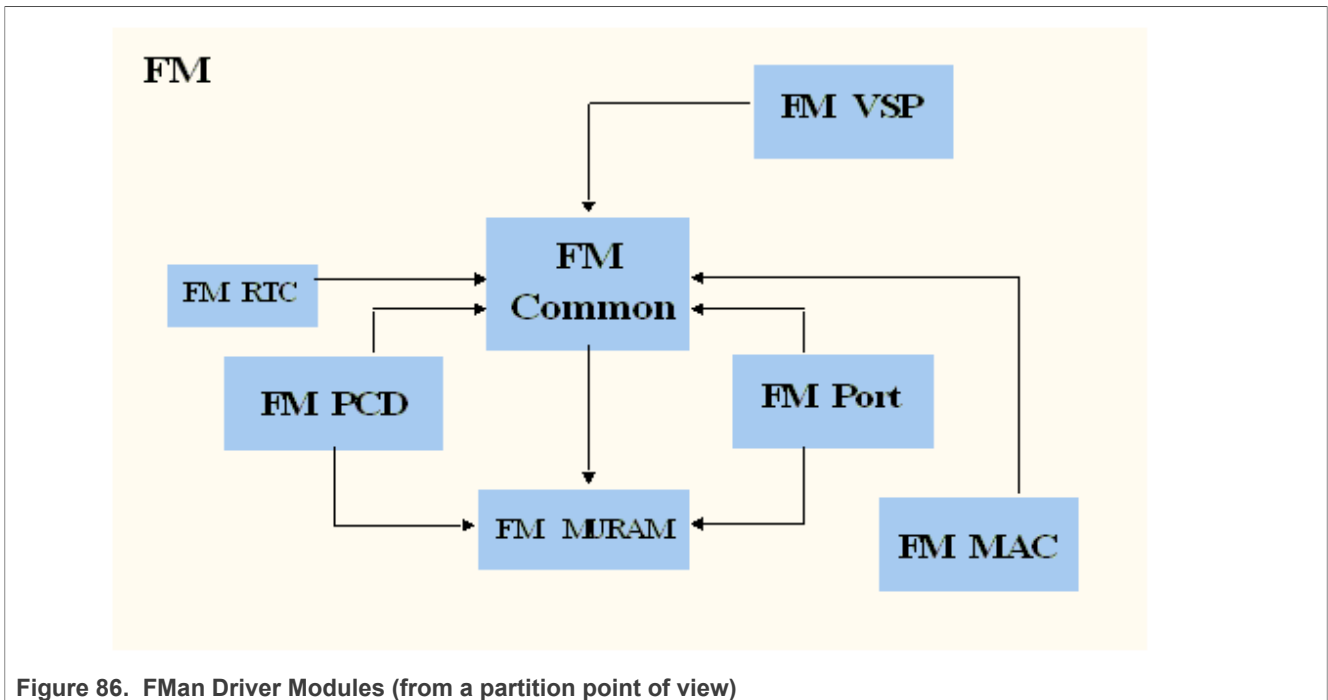


Figure 86. FMan Driver Modules (from a partition point of view)

The modules are as follows:

- Frame Manager (common)-The FMan module is a singleton module within its partition. It is responsible for the common hardware modules: FPM, DMA, common QMI, common BMI, FMan controller's initialization, and runtime control routines. This module must always be initialized when working with any FMan module. The module will mainly be used internally by the other FMan modules except for its initialization by the user. This module has an instance for each partition. However, only the driver that is on the master-partition has access to the hardware registers.
- Frame Manager Parser-Classifer-Distributor (FMan-PCD)-The FMan PCD module is a singleton module within its partition. It is responsible of all common parts of the PCD, such as the hardware parser, software parser, Keygen, policer, and custom-classifier blocks. It is responsible for building the PCD graphs. This module has an instance for each partition. However, only the driver on the master-partition has access to the hardware registers.

- **Frame Manager Memory (FMan-MURAM)**-This module is responsible for the specific memory partition of the FMan Memory. Each partition may have its own FMan Memory partition that is managed by the FMan Memory driver. For example, an FMan Memory instance will be created for each partition that has its own FMan ports.
This module has an instance for each partition.
- **Frame Manager Real-Time-Clock (FMan-RTC)**-This module is responsible for the FMan RTC module. This module is a "singleton" and should be created once only for the master-partition.
- **Frame Manger Port (FMan-Port)**-This module is responsible for all FMan port-related register space, such as all registers related to a port in QMI or BMI.
This module can be run by each core or partition independently.
- **Frame Manager MAC (FMan-MAC)**-This module is responsible for the mEMAC dTSEC and the 10G MAC controllers.
This module can be run by each core or partition independently.
- **Frame Manager Virtual-Storage-Profile (FMan-VSP)**-This module is responsible for allocating and managing virtual storage profiles that may be used for virtualization purposes. More of the VSP is described in [Section 7.2.5.2.10](#).
This module can be run by each core or partition independently.

7.2.5.2.4 Driver Modules in the System

The FMan driver is designed to support single or multi partition environment. In addition, the FMan driver is designed to support environment with multicore that are running in SMP mode.

The following figure shows a typical single-partition (maybe SMP or not) environment and its FMan driver building blocks.

Note: *In this environment:*

- All FMan driver modules are available and should be initialized by the user (unless if it is unnecessary for the user operation; for example, if PCD is not needed so it may not be called).
- The FMan driver modules have the full functionality of the hardware.
- Each module has full access to its hardware registers (that is, each module will access its registers directly).

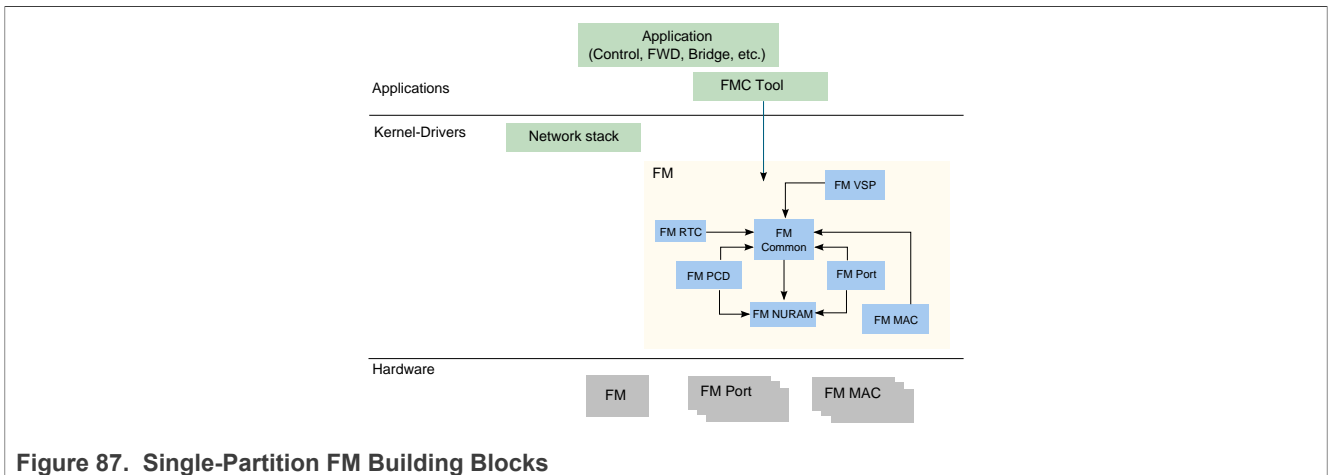


Figure 87. Single-Partition FM Building Blocks

7.2.5.2.4.1 Multicore Approach

The driver supports the Symmetric Multi-Processing (SMP) operation method.

SMP

As a rule, driver routines are not SMP safe. It is user's responsibility to lock all routines that might be in risk in user's environment, for example, if `FM_PORT_Enable/FM_PORT_Disable` may be used by several cores, it is user's responsibility to protect the routine call using a spinlock.

An exception to this rule is the set of PCD routines. Due to the complexity of this module, and in order to support SMP and maintain coherency, PCD routines are protected using two mechanisms, spinlocks and flags.

Each PCD resource (that is, software module such as scheme, CC Node, NetEnv, and so on.) may have one or more spinlocks which are used to protect short code sections where specific resources such as hardware registers or software structures are accessed. In some cases, a spinlock of a higher level is used (that is, CC locks the whole PCD).

The second mechanism is defined globally. The PCD global module provides a `PcdLock` mechanism, which is a list of lock objects containing a flag and a spinlock rotating that flag. On initialization of each PCD resource (that is, software module such as scheme, CC Node, NetEnv, and so on.), a `PcdLock` is allocated for this module. Critical sections that may not be protected by spinlocks (due to reasons of sections length, Host Commands and other lengthy operations) are protected by these flags. Note that this is a try-lock mechanism and the calling routine returns with `E_BUSY` error on failure. The try-locks are used by all PCD resources modification routines, in which case the application is expected to recall the routine until it is not busy.

In Addition, PCD and FM Port inter-module complex sections may be protected by try-locking all the initialized `PcdLock` modules in the global PCD, therefore providing a safe PCD environment where influence and connections between modules may take effect.

On top of PCD routines, all FM Port PCD-related routines are also protected by Port try-lock, meaning no two cores can access the same port to run a PCD routine. As in the PCD routines, these routines may return `E_BUSY` on failure and should then be recalled.

The driver SMP protection mechanism assumes the following:

- Only one core may initialize and delete a specific PCD software module (that is, scheme x may not be initialized by two cores).
- A core should not attempt to delete a PCD software module when there is a risk of another core operating on that specific module.

7.2.5.2.5 FMan Driver Calling Sequence

Initialization of the FMan driver is carried out by the application according to the following sequence:

1. MURAM configuration and Initialization
2. FMan (common) configuration and Initialization
3. [Optional] FMan RTC configuration and Initialization
4. For each MAC required by the user:
 - a. MAC Configuration and Initialization
 - b. PHY Initialization
5. For each FMan Port required by the user:
 - a. FMan Port Configuration and Initialization
 - b. [optional] If the FMan Port required to be virtualized, a set of VSPs need to be allocated and one of them should be set as the default.
 - c. [optional] If VSPs were allocated in previous step, the default VSP need to be configured and initialized
 - d. in that stage, user should configure and initialize everything that is needed for the operation of a port outside the FMan; For example, buffer-pools, frame-queues, and so on.
 - e. Port Enablement
 - f. MAC Enablement

- g. Calling 'AdjustLink' MAC API routine with the relevant link parameters
Note: *Now, the FMan is operational. The ports operate in independent mode or BMI-to-BMI mode. From that point, all the following steps are optional.*
6. FMan PCD Configuration and Initialization
7. If a physical port is being "virtualized" into several software entities (using some classification to distribute the traffic), user should configure and initialize the relevant buffer-pools and frame-queues.
8. If VSP is enabled, in that stage, user should configure and initialize the relevant profile.
9. FMan PCD Graph initialization:
 - a. Calling restricted runtime routines (that may be called only when PCD is disabled)
 - b. Calling the PCD enable routine
 - c. Initialization of a all PCD Graph objects (that is, KG-schemes, Match-Tables, and so on)
10. FMan port PCD-related initialization; calling the runtime control routines to set the PCD-related parameters
Note: *In case the PCD is "set" to a FMan OP port, it should be disabled first (that is, before calling 'FM_PORT_SetPCD' routine).*
11. FMan runtime routines
12. FMan Free sequence - in reverse order from initialization

7.2.5.2.6 Global FMan Driver

The Global FMan driver refers to the common FMan features - that is, functionality that is not defined per-port and does not belong to a spany of the specific modules such as PCD, RTC, MURAM, MAC and so on.

7.2.5.2.6.1 FMan Hardware Overview

The following Frame Manager processing elements are considered general FMan components and are controlled by the FMan common driver:

- The Frame Processor Manager (FPM) schedules frames for processing by the different elements to create the appropriate pipeline.
- The BMI is intended to transfer data between network and internal FMan memory, generate frame descriptor (FD), initialize the internal context (IC), manage the internal buffers, allocate/deallocate external buffers with the help of BMan and activate the DMA to transfer data between internal and external RAMs
- The DMA is responsible for frames data transfer from and to external memory
- The queue manager interface (QMI) is responsible for transferring packet-based work assignments between the queue manager (QMan) and the frame manager (FMan). It provides an interface to the QMan for enqueueing and dequeuing new frames to/from the multicore system.

Global FMan Driver Software Abstraction

The FMan global driver covers all the logically common FMan functionality, i.e functionality which is not port related. The different hardware modules within the FMan (that is, BMI, DMA, and so on.) are encapsulated within the FMan module. The terms "BMI", "DMA" are used for resources identification such as exceptions, counters and some configuration parameters, but logically, the only module used for functional operations is the FMan.

7.2.5.2.6.2 How to use the Global FMan Driver?

The following sections provide practical information for using the software drivers.

Global FMan Driver Scope

This module represents the common parts of the FMan. It includes:

- FMan hardware structures configuration and enablement
- Resource allocation and management
- Interrupt handling
- Statistics support
- ECC support for the FMan RAM's
- Load balancing between ports

Global FMan Driver Sequence

- FMan config routine
- [Optional] FMan advance configuration routines
- FMan Init routine
- FMan runtime routines
- FMan free routine

Global FMan Driver Functional Description

The following sections describe main driver functionalities and their usage.

FMan Configuration and Initialization

On FMan driver initialization, the software configures all FMan registers and relevant memory. It supplies default values where no other values are specified, it allocates MURAM, it loads FMan controller code. It defines IRQ's and sets IRQ handles. It enables hardware mechanisms and initializes software data structures for software management.

By the time initialization is done, FMan is ready to be used and any of the FMan submodules (FMan-Ports, MACs, and so on.) may be initialized.

Resource Management and Tuning

The FMan provides resources used by its submodules. Generally, the driver selects default resource allocation, but when initializing the global FMan module, the user may specify a different allocation for some or all of the resources.

The resources relevant for this discussion are resources used by the BMI only. These resources should be further distributed between the different ports, but the initial allocation is for the BMI in opposed to some internal use of the FMan controller. The main and most important resources of the FMan are TNUMs (that is, the FMan "tasks"), DMAs, FIFOs and "pipeline-depth".

The total available resources may vary based on SoC. The recommended default values are designed to fit most applications but as the resource allocation depends on system configuration, it therefore may vary between applications. That is, the default value that is being set by the driver will be sufficient in use cases where the user utilizing most of the FMan bandwidth and the user application is mostly using the FMan. In other cases such as if user uses some advance PCD settings and/or overloads the SoC (for example, PCI is being massively used), the resources may need some special treatment and tuning by user as the default may not be sufficient enough.

Most MURAM is used as a temporary location for data transaction. This part's size is referred to as "FIFO size". The rest of the MURAM may be used for other utilizations such as Custom Classifier and its size is effected by the use of these features, that is, if Custom Classifier is not used, "FIFO size" may be enlarged. The user may call `FM_ConfigTotalFifoSize` in order to modify the default value of the MURAM. However, one should bear in mind that when FIFO size is enlarged - Custom Classifier space is decreased.

Load Balancing

The FMan provides a mechanism to optimize the internal arbitration of different ports over the shared resources of the hardware.

The driver supports this feature by providing an API for dividing the bandwidth between the different ports (`FM_SetPortsBandwidth`). The API is given in terms of percentage - that is, for each port, the user should specify its percentage relative to the other ports. This API is optional and may be modified at runtime. If not used, or if all ports get the same bandwidth (whether its {50,50} or {25,25,25,25}), then no one port will have priority over other ports. If ports get different values, for example 3 ports used and get {25,50,25}, then the first and third ports will get the same access to shared resources but the second one will get twice as much. That is, The numerical values given to each port are not important, but only the relation between the ports.

Statistics

The FMan API provides access to all the statistics gathered by the FMan hardware. The API routine `FM_GetCounter` may be called at any time after initialization to retrieve any of the FMan counters.

7.2.5.2.7 FMan Parse-Classify-Distribute Driver

The Parse-Classify-Distribute (PCD) driver module refers to the parts of the drivers handling the different PCD engines and services such as Parser, Keygen, Custom Classifier, Policer, Header Manipulation, Reassembly, Fragmentation and Frame Replication. It deals both with the common configuration and runtime features and the specific PCD resources such as Keygen Schemes, Custom Classifier graphs, and so on.

7.2.5.2.7.1 FMan PCD Hardware Overview

- **Parser**-The parser performs protocol header parsing and validation for a wide range of frame formats with varying protocols and encapsulation. A hard-coded parser function is used for the known and stable protocols. The hardware parser capabilities can be expanded by software parser functions to support protocols not supported by the hardware parser including proprietary protocols and shim headers. The parser parses the frame according to a per-port configuration. It reads the frame header from the FMan Memory and writes the frame parse results to the Internal Context of the frame. The Lineup Confirmation Vector is a part of the parser result. It represents a list of all the protocols recognized by the hardware parser, and may be extended to contain information added by the software parser.
- **Keygen**-The Keygen is located on the FMan receive path, and enables high performance implementation of pre-classification. It holds a SoC dependent number of key generation schemes in internal memory. Each scheme can generate different frame queue ID (FQID), a Storage-Profile ID (SPID) and policer profile (PP). One main function of the Keygen module is to separate network data into different flows, each requiring different processing. Another function of the Keygen, is the Classification Plan. This is a mechanism provided in order to mask LCV bits according to per-port definition. The Classification Plan is implemented as a table of SoC dependent number of entries, logically divided or shared between the FMan Ports.
- **Custom Classifier**-The Frame Manager (FMan) Custom Classifier module performs a look-up using a specific key from the received frame or internal frame context according to Parser results. The FMan Custom Classifier logically occurs after the Keygen processing has completed and can be operational in both the MAC receive flow and the offline parsing flow. The look-up produces an action descriptor which contains the necessary information for the continuation of the frame processing in the next module or the next look-up table.
- **Policer**-The Policer supports implementation of differentiated services at line speed on the Frame Manager (FMan) receive or offline parsing paths. It holds a SoC dependent number of traffic profiles in internal memory, each profile implementing RFC-2698 or RFC-4115 or Pass-Through mode. Each mode can work in either color-blind or color aware mode, and pass or drop packets according to their resulting color.

FMan PCD Software Abstraction

The FMan PCD driver aims to provide a high-level, abstract, network oriented, logical interface. It is designed to allow a glue logic between the different PCD engines and the PCD "user" - the FMan port, and to define an interface to these features to be used by the application. In this process, new non-hardware modules may be created - such as "Network Environment", while existing hardware modules - such as "Classification Plan" - may be hidden from the user. The following sections make an attempt to describe the driver design decisions in abstracting the engines' hardware and the gap between the hardware programming model and the drivers API.

FMan PCD Flow

The FMan opens the FPM scheduling capabilities to the application, which allows significant flexibility in defining the packet flow. At various points in the flow, the FMan user must configure the next engine to handle the packet and the next operation it will perform. The driver minimizes this flexibility by assuming a basic flow for each port. The driver can expand this flow to include all FMan PCD capabilities, but in a limited manner that will be described below.

The basic flow reflects the expected use of the FMan PCD. When a port is initialized, the default setup that received packets are passed to the port's default Rx frame queue, as configured by the user. When the PCD is linked to the port, the user chooses one of the provided PCD support options which selects which PCD engines (parser, Keygen, FMan-Controller, and Policer) are included in the frames. The selected PCD support option adds the selected engine or engines to the flow according to the following PCD organization.

- When parser is used, it is always the first PCD engine working on the received frames.
- If parser is not activated, Keygen, and FMan-Controller may not be activated.
- Keygen's first use follows the parser, but it may be used again following the FMan-Controller or the policer.
- If FMan-Controller is used, it will follow the Keygen. It may not be activated if Keygen is not used.
- Policer may be activated by itself or follow any of the engines.

In all cases, the frame returns to the buffer manager interface (BMI) for enqueueing. The application may not change the main flow at runtime.

The following figure shows the default ports flows (in terms of next invoked action (NIA) registers' initialization):

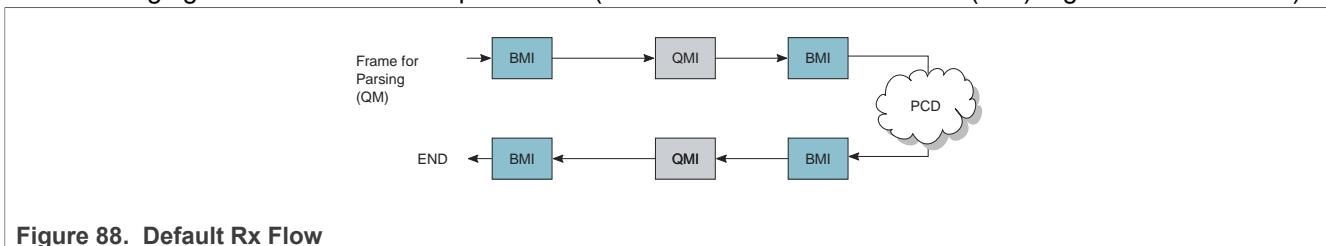


Figure 88. Default Rx Flow

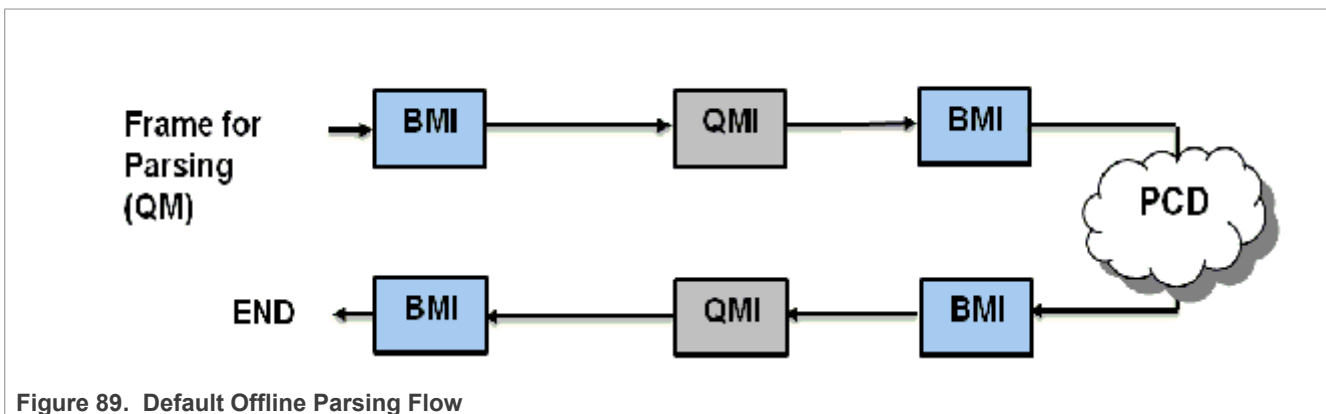


Figure 89. Default Offline Parsing Flow

Note: In independent mode, both Tx and Rx BMI NIA are FMan Controller. Other NIAs are not applicable.

After basic initialization, the default Rx flow, as shown in Figure 88, is the configured flow. A PCD flow is initially defined by FMan Port level, although it is effected both by the port configuration and the PCD resources configuration. Following figure shows the PCD flows supported by the driver.

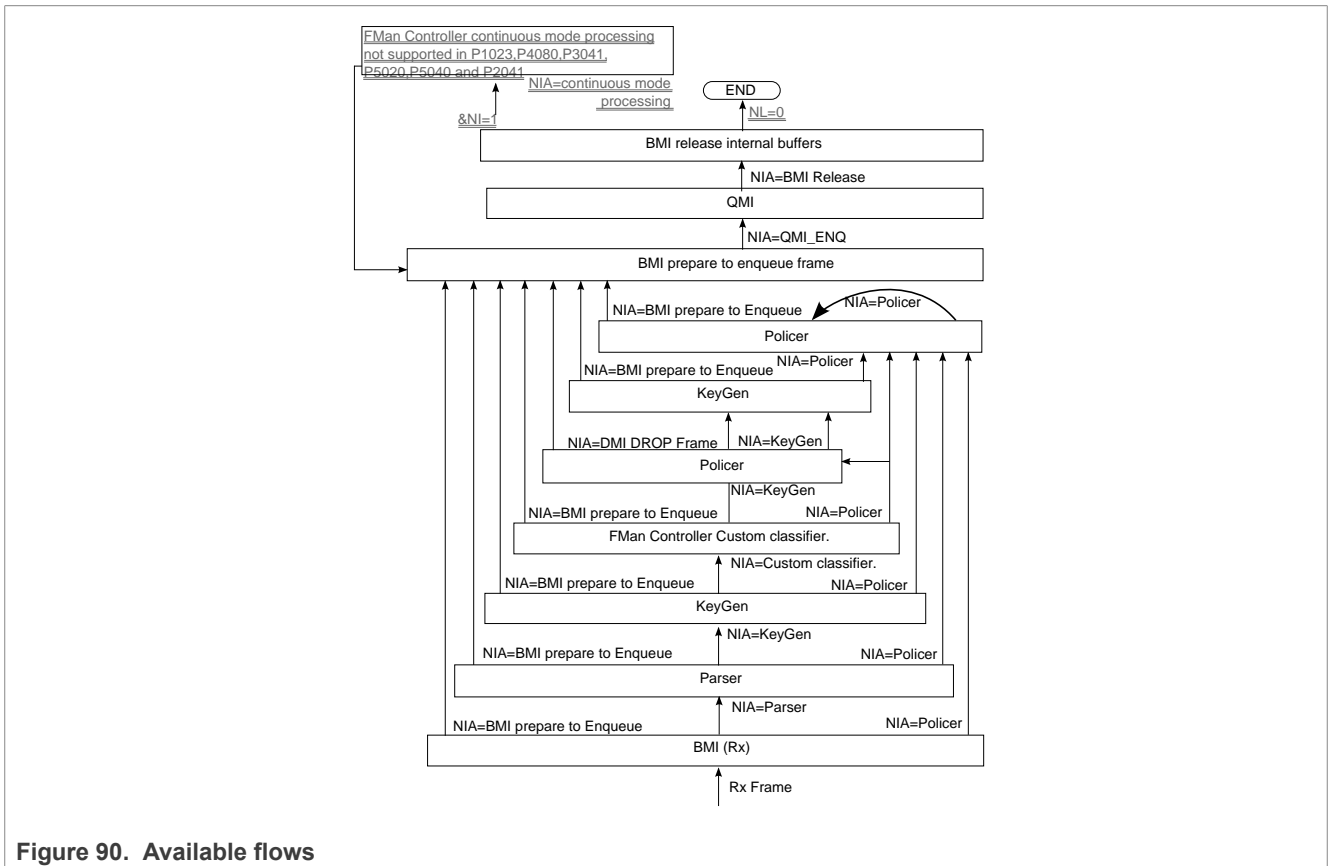


Figure 90. Available flows

Global FMan PCD Module

The FMan PCD driver deals with the configuration initialization and runtime setting of the PCD resources. The actual use of these resources is in fact activated only when an FMan-Port is enabled and is bound to the initialized PCD resources. This section explains the initialization and organization of those resources.

The PCD driver is constructed by a global FMan-PCD module that must be initialized first, and a set of optional PCD resources that can be initialized at runtime. The FMan-PCD module is responsible for enabling the different engines, loading SW parser if required, registering PCD interrupts and other general configuration.

Global FMan-PCD Resources

PCD driver's resources are NOT identical to PCD hardware resources and provide an abstraction layer to the hardware resources. PCD is viewed as a graph of PCD resources where FMan RX and OP Ports may be bound to subsets of the PCD graph. Refer to [Section "Port-PCD Binding"](#).

The following are the driver's PCD resources:

- Network Environment Characteristics
- Software Parser
- Keygen Schemes

- Custom Classifier Roots
- Custom Classifier Match-Tables
- Custom Classifier Hahs-Tables
- Custom Classifier Manipulations
- Policer Profiles

The **Network Environment (NetEnv) Characteristics** are a pure SW resource. It is used in creating multiple HW PCD resources. Logically, it represents the NetEnv of a port or a number of ports and supplies the glue between the parser, the Keygen, the Custom Classifier and the port. It ensures they all "speak the same language". Physically, it defines the LCV for all the participating protocols for each FMan Port.

Keygen Schemes and **Policer Profiles** are closely bound to their hardware programming model

Custom Classifier process is represented by a software graph. Each node in the graph represents a logical action. The driver defines different types of Custom Classifier nodes. One type of node is one of an Exact-Match which is a software representation of an Action-Descriptor (AD) that performs a lookup according to the key defined. Another type of node is one of Indexed-Lookup which is again a software representation of an Action-Descriptor of that type. A higher level of abstraction is performed on Hash-Table nodes, where the driver manages a hash table. Each node, may also contain a handle to a Manipulation action - which is the software abstraction for one or more AD's used for manipulating the frame by inserting and/or removing data. Generally, any Custom Classifier software node may be translated to one or more HW action descriptors.

The driver defines a notion of a Custom Classifier graph. The CC graph is the total set of lookups and manipulations performed by the Custom Classifier. The user builds the graph only after defining the CC Nodes. The finalization of the graph is done by building the root nodes and defining their grouping. This refers to the 16 entries array that functions as the entry point of the CC. Generally, the indexing into this array is performed by using 4 bits out of the LCV. This driver supports a division of this array into 2-16 unrelated groups to increase the flexibility of the programming and allow usage of more LCV bits.

How to Associate PCD Resources

The NetEnv is the link between the port and all the PCD resources it is using.

- Parser-The driver configures the LCV (lineup confirmation vector) in the parser configuration for every FMan Port according to the specific NetEnv it is bound to. When using SW parser, a private shim header should be added as a NetEnv unit, and may be used later as a regular unit.
- Keygen-Classification plan: The driver hides this resource from the user and configures classification plan entries to support and expand the HW parser capabilities according to the user definition of its NetEnv Characteristics
- Keygen-Schemes: The user describes the scheme in terms of NetEnv units, and the match vector is configured by the driver.
- Custom Classifier: The user describes the entry point of a CC root in terms of NetEnv units. The driver internally passes this information to the Keygen that uses it in selecting the entry point in the CC root when passing a frame from the Keygen to the Custom Classifier.

After defining PCD resources, the user may bind any FM Port to the initialized resources. A port must be bound to a single NetEnv, and may be bound to a Custom Classifier root and KeyGen schemes.

The set of figures below demonstrate a single example of the use of the driver's resources and their interaction with the hardware structures.

The following table demonstrates a NetEnv of 7 units. Unit 0, for example, is a simple unit recognizing Ethernet frame, while unit 2 recognizes IP frames of either version.

Unit 0	Unit 1	Unit 2	Unit 3	Unit 4	Unit 5	Unit 6
--------	--------	--------	--------	--------	--------	--------

Ethernet	Ethernet [Broadcast]	IPv4	IPv4	UDP	MPLS [stacked]	IPv4 [Multicast]
		IPv6		TCP		

When a port is bound to a NetEnv, the driver translates its units into the parser's hardware Line-up Confirmation Vector (LCV). The table below shows the LCV configured for a port that has the NetEnv above.

	LCV[0]	LCV[1]	LCV[2]	LCV[3]	LCV[4]	LCV[5]	LCV[6]	LCV[7-31]
Ethernet	1	1	0	0	0	0	0	0...0
IPv4	0	0	1	1	0	0	1	0...0
IPv6	0	0	1	0	0	0	0	0...0
UDP	0	0	0	0	1	0	0	0...0
TCP	0	0	0	0	1	0	0	0...0
MPLS	0	0	0	0	0	1	0	0...0

Based on the NetEnv, the driver also defines a set of Classification Plan entries to be used by each port using that NetEnv.

	Bit[0]	Bit[1]	Bit[2]	Bit[3]	Bit[4]	Bit[5]	Bit[6]	Bits[7-31]	Comments
0	1	0	1	1	1	0	0	1...1	No classification plan
1	1	1	1	1	1	0	0	1...1	Ethernet Broadcast
2	1	0	1	1	1	1	0	1...1	MPLS Stacked
3	1	1	1	1	1	1	0	1...1	1+2
4	1	0	1	1	1	0	1	1...1	IPv4 MC
5	1	1	1	1	1	0	1	1...1	1+4
6	1	0	1	1	1	1	1	1...1	2+4
7	1	1	1	1	1	1	1	1...1	1+2+4

When a frame is received, its LCV is masked by one of the vectors in the Classification Plan. The FMan selects the entry based on the parser output and the port parameters.

To support this operation, the driver initializes the HXS plan offset field for each relevant header in the port parser parameters. The table below, is the driver's translation of the Network environment above into the port classification plan parameters. When a frame is being parsed, the classification plan offset for each header found is accumulated to construct the offset of the result classification plan. For example, a hypothetical frame of Ethernet BC/Stacked MPLS/IPv4 unicast frame, will have an LCV=0xF6000000 and a classification plan id of $2^{(1-1)} + 2^{(2-1)} = 3$, so its classification plan vector is 0xFDFDFDFDF, and QLCV = 0xF4000000.

Ethernet Broadcast	1	$2^{(1-1)}=1$
MPLS Stacked	2	$2^{(2-1)}=2$
IPv6	0	0
UDP	-	-
TCP	-	-
IPv4 Multicast	3	$2^{(3-1)}=4$

Given the driver's automatic initialization of the LCV and classification plan based on only the NetEnv, the user may now initialize Keygen schemes by passing as match criteria only the NetEnv unit id's. As in the other cases, the driver will translate the unit id's to the schemes' match vectors as can be seen in the figure below.

Id	Scheme Match Criteria	Units	Match vector
0	Ethernet broadcast	1	0x40000000
1	IPv4 MC+MPLS stacked	5+6	0x06000000
2	IPv4 MC	6	0x02000000
3	IPv4+(TCP or UDP)	3+4	0x18000000
4	match on IPv4 or IPv6 frames	2	0x20000000
5	Ethernet	0	0x80000000
6	Direct scheme	--	0xffffffff

Figure 91. Keygen schemes example

Finally, the driver will also take care of initializing the Keygen-to-Custom Classifier configuration registers. When initializing a Custom Classifier root, the user may create groups based on NetEnv units (in opposed to a simple group of a single entry; for more information, refer to [Section " Custom Classifier Root "](#)).

When initializing a scheme, the user should only pass the handle to the Custom Classifier root. The driver will translate the group LCV dependent parameters into the scheme required register.

For example, Group 0 is a simple group that is not dependent on the NetEnv. Group 1 is based on a single unit - so a frame may be forwarded to 1 of 2 root nodes, and group 2 is based on 3 units - so a frame may be forwarded to 1 of 8 root nodes.

	CC Tree group Num of units	units	Keygen FMKG_SE_CCBS	Possible offsets within group depending on PR[LCV] AND FMKG_SE_CCBS
Group 0	0	--	0x00000000	0
Group 1	1	3	0x10000000 (Scheme 4 in the example)	0,1
Group 2	3	1,3,4	0x58000000	0-7

Figure 92. Keygen scheme configuration for CC next engine

The Policer Profiles are the one resource that does not rely on the Parser Results or the NetEnv. It is therefore managed independent of the other PCD resources.

FMan Header Manipulation

The FMan controller defines a set of header manipulation commands, and supports listing of these commands. The FMan driver allows limited listing by a single Manipulation node, limited to a single use of each command and to a defined order (For example, remove + insert may be defined in a single node, but insert + remove or remove + remove may not). Alternatively, full listing and ordering is supported by chaining more than one Manipulation nodes. In such a case, the driver will unify HMCT's to optimize performance and MURAM usage unless parsing is required in between the different commands.

The following list maps each FMan controller command to the driver parameters in the Header Manipulation structure:

1. Generic removal-Set 'rmv' and use the corresponding parameters structure. Select generic enum and parameters.
2. Generic insertion-Set 'insrt' and use the corresponding parameters structure. Select generic enum and parameters.
3. Generic replace-Set 'insrt' and use the corresponding parameters structure. Select generic enum and parameters and set 'replace'.
4. Protocol specific removal-Set 'rmv' and use the corresponding parameters structure. Select byHdr enum and parameters.
5. Protocol specific insert-Set 'insrt' and use the corresponding parameters structure. Select byHdr enum and parameters.
6. Vlan priority update-Set 'fieldUpdate' and use the corresponding parameters structure. Select vlan enum and parameters.
7. IPv4 update-Set 'fieldUpdate' and use the corresponding parameters structure. Select IPv4 enum and parameters.
8. IPv6 update-Set 'fieldUpdate' and use the corresponding parameters structure. Select IPv6 enum and parameters.
9. TCP/UDP update-Set 'fieldUpdate' and use the corresponding parameters structure. Select TCP/UDP enum and parameters.
10. TCP/UDP checksum calculation-Set 'fieldUpdate' and use the corresponding parameters structure. Select TCP/UDP enum and parameters.
11. IP replace-Set 'custom' and use the corresponding parameters structure. Select TCP/UDP enum and parameters.

Custom Classifier Hash-Table Node

The driver provides a high-level Hash-Table mechanism implemented over the FMan controller Custom Classifier structures. The driver implements the Hash-Table by using a Match-Table node of type Indexed-Hash, where each entry points to a hash bucket implemented by a Match-Table node of type Exact-Match (For more information on these nodes, refer to [Section "Custom Classifier Root"](#)). The driver uses the Keygen key and hash result as a key for the lookup. A selected part of the hash result is used to select the entry in the Indexed-Hash table (that is, the bucket), and the full key possible values are used as the Match-Table keys in the selected bucket.

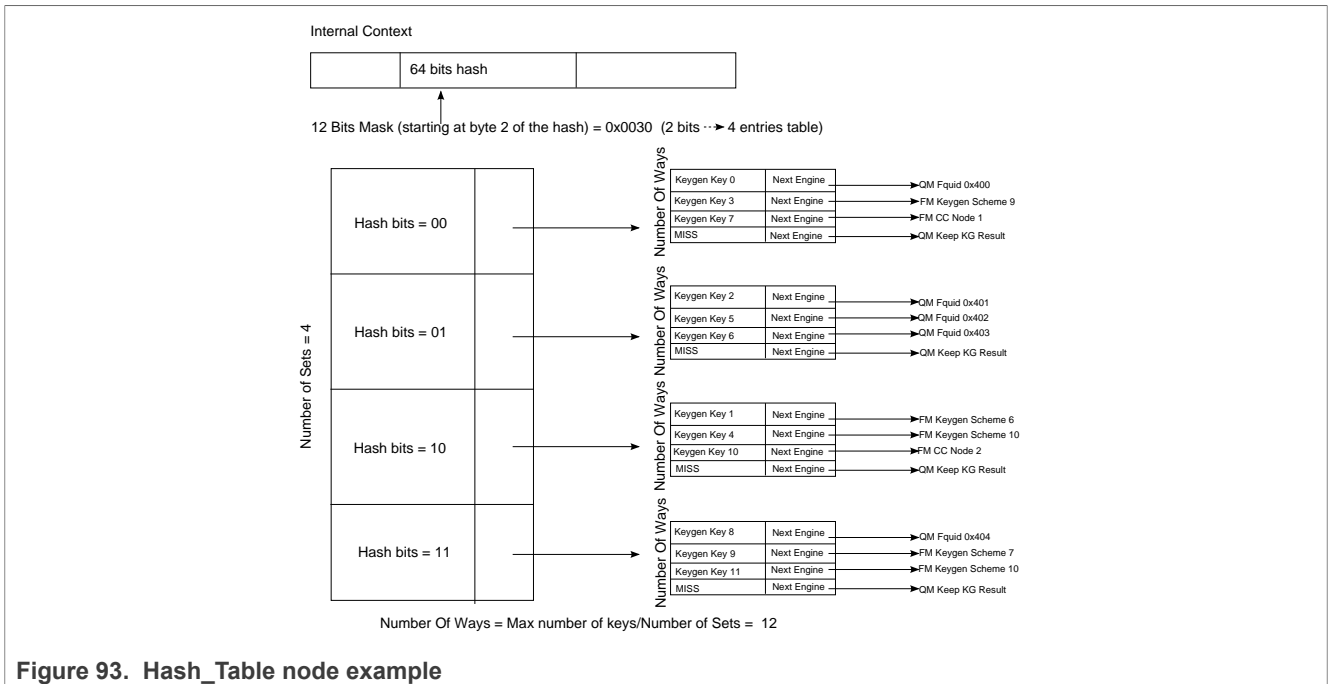


Figure 93. Hash_Table node example

7.2.5.2.7.2 How to use the FMan PCD Driver?

The following sections provide practical information for using the software drivers.

FMan PCD Driver Scope

- FMan Parser, Keygen, Custom Classifier and Policer configuration and initialization
- PCD Enable/Disable
- Resources allocation and management
- Interrupt handling
- Statistics support
- Support for FMan PCD operations

FMan PCD Driver Sequence

- FMan PCD Config routine
- [Optional] FMan PCD advance configuration routines
- FMan PCD Init routine
- Specific one-time pre-enable routines (for example, load SW parser)
- FMan PCD Enable routine
- FMan PCD runtime routines
- FMan PCD specific resources runtime routines (for defining, modifying and deleting Keygen schemes, Custom Classifier nodes, and so on.)
- FMan PCD Free routine

FMan PCD Driver Functional Description

The following sections describe main driver functionalities and their usage.

Global PCD Initialization

PCD initialization is divided into two parts. During the first part of the initialization, `FM_PCD_Config`, advance config routines, and `FM_PCD_Init` are called to configure and set all basic PCD capabilities, including pre-defining which engines are supported and may be used later. This stage is done in the kernel, and PCD is not yet enabled. During the second part of the initialization, PCD is enabled by a runtime routine (`FM_PCD_Enable`).

This division creates a gap during which some functionality may be added. The most important is the loading of the SW parser code. Note that this functionality is allowed only when PCD is disabled (that is, between init and enable) or, with some restriction, in runtime after disable.

Once PCD basic initialization is complete (`FM_PCD_Init` and `FM_PCD_Enable` are called and returned), the PCD capabilities of the frame manager are reflected by the driver as a set of API runtime routines designed to define the PCD environment for a specific partition. PCD resources are defined per partition and may be used by all ports within a specific partition. The different PCD resources are first initialized and only later may be used by the FMan ports.

The order of PCD resources initialization is strict and relies on the PCD graph being initialized bottom up, which means that no resource may be initialized before its next engine is initialized. However, the use of port relative profiles is an exception to this rule. A scheme's next engine may be a port relative profile. In such a case, the scheme is initialized but not yet bound to a port, that is, the actual policer profile is not yet specified. Therefore, its validity may not be verified. It is the user's responsibility to ensure that when a port using that scheme is activated (for using the PCD), its relative policer profile must be validated.

The PCD graph is partition based that is, may be shared by ports on the same partition. Refer to [Section "Port-PCD Binding"](#) for more details on port-PCD binding.

PCD Resources

The following subsections describe each of the driver's PCD resources in detail. In a single-partition environment, most resources are available and do not need explicit allocation. The port policer profiles are an exception. They must be allocated by the user, using the FMan Port API. In multipartition, some of the resources, specifically resources limited by hardware, must be first allocated by a partition and only then used by the partition's ports. The following sections specify the requirements for each of the PCD resources:

Network Environment Characteristics

The Network Environment (NetEnv) is a software entity that lists the network protocols used by the FM-PCD for classification and distribution. The total number of NetEnvs defined depends on the system configuration. A NetEnv may be defined per port or shared among some or all ports. The definition of a NetEnv must be done with care while considering the use of the FM-PCD module. The NetEnv is, in fact, the key for frames parsing, distribution, and classification.

The NetEnv is a list of distinction units. Each distinction unit consists of at least one or more headers. A header may either be one header from the list of supported headers or one of the supported headers plus an option (For more details on list and options available, refer to [Section 7.2.5.2.13](#)).

The hardware parser implements header recognition. If the software parser is used, a distinction unit may also be one of the shim headers. The driver saves a number of units (that may be redefined in `fm_pcd_ext.h`) for private use. The user may then use this unit ID to recognize the private header by the Keygen or CC.

The following figure shows an example of a NetEnv. It has four units, two of which consist of a single header. One of the headers has an option. The final two units consist of two interchangeable headers. This example will be used throughout the following sections

Ethernet [Broadcast]	IPv4	IPv4	TCP	
	IPv6		UDP	

Figure 94. Network Environment Example

The distinction units list should reflect what the user wants to do with the PCD mechanisms to parse-classify-distribute incoming frames. Specifying a distinction unit means that the user wants to use that specification to either activate the parser on the specified headers or distinguish between frames with the Keygen or the Custom Classifier. Using interchangeable headers to define a unit means that the user is indifferent to which of the interchangeable headers is present in the frame, but instead wants the distinction to be based on the presence of either one of them. For example, if it is required that a selection of scheme is based on having L3 header of either IPv4 OR IPv6, but it is of no importance which of the two is present, then a unit should be defined with 2 interchangeable headers: IPv4, IPv6.

The initialization routine retunes a NetEnv handle to be used later to specify that Network Environment.

Depending on context, there are limitations to the use of NetEnvs. A port using the PCD functionality is bound to a NetEnv. Some, or even all, ports may share a NetEnv, but it is also possible to have one NetEnv per port. When initializing a scheme, a Custom Classifier root, or when binding a port to the PCD, one of the required parameters is the handle of an initialized NetEnv. The driver uses the definitions of that NetEnv to initialize that scheme or Custom Classifier root. When a port is bound to a Keygen scheme or a Custom Classifier root, it must be bound to the same NetEnv.

For the flow's definition, the different PCD modules may only rely on distinction units as defined by their environment. When initializing a scheme for example, a PCD module may not choose to select IPv4 as a match for recognizing flows unless IPv4 was defined in the relating environment. In fact, to guide the user through the configuration of the PCD, each module's characterization in terms of flows is not done using protocol names, but rather environment indices.

In terms of hardware implementation, the list of distinction units sets the Lineup Confirmation Vectors (LCVs) and are later used for match vector and CC indexing. The shim header LCVs are conventionally assigned from LSB up, so the first shim header is 0x0000_0001. For more details on the implementation, refer to [Section "Global FMan-PCD Resources"](#).

Runtime Modifications: A Network Environment may not be changed at runtime. New NetEnvs may be set, and unused NetEnvs may be deleted anytime.

Available API:

- FM_PCD_NetEnvCharacteristicsSet
- FM_PCD_NetEnvCharacteristicsDelete

Software Parser

The PCD allows the extension of the hardware parser by loading the software parser code for further manipulation. When this is required, the user passes the image of the software parser code and a table of labels to the driver. This represents the entry-points in the software parser code. If more than one code piece is required for a specific protocol (for example, to be used by different ports) an index is added to the labels table. Later, when configuring a port that uses one or more software parsing attachments, each protocol header may be bound to one of the previously declared labels. This is done by setting the software parser enable indication for one or more protocols headers, and indicating the software parser index (relative to that protocol header). The software parser code will run for that port after the hardware parser recognizes that header. In other words, the specified protocol header is in fact the trigger for the software parser to be activated. It is

typical for the software parser to parse a private header that was previously defined as a NetEnv unit and then mark its existence for classification and distribution.

The software parser loading routine must be called only when the PCD is disabled and no ports in the system are using the parser. On initialization this means that the routine, if needed, must be called after `FM_PCD_Init` and before `FM_PCD_Enable`.

Runtime Modifications: Software parser may not be changed at runtime.

Available API:

- `FM_PCD_PrsLoadSw`

Keygen Schemes

The scheme entity relies on the hardware entity. There are 32 Keygen schemes in a frame manager. When a PCD is defined in a single partition environment, it is the owner of all 32 schemes. When a PCD is defined in a multipartition environment, the user must specify how many schemes are required for this partition. Once schemes are allocated for a specific partition, it may be used only by ports on that partition.

Within a partition, the schemes order is relevant. When initializing a scheme, the user must specify the following:

- Relative index, relative to the partition's schemes.
- Network environment handle.
- Match criteria, or which frames should be processed by the scheme.
- Keygen action (such as hash, FQID mask, and manipulation).
- Distribution FQIDs.

The match criteria (if used), is based on the NetEnv characteristics units. Schemes that are to be used directly should be configured as such, by specifying a scheme ID rather than using match criteria or specifying distinction units. Upon initialization, the driver returns a handle to the initialized scheme. This handle can be used later to specify the scheme.

Keygen schemes are dependent on parser results. They may be used immediately after the parser by direct mode or by using the match criteria. Schemes may also be used after the Custom Classifier or the policer. This flow is typically used for flow control redistribution. In this case, to avoid infinite loops the scheme is reached only in direct manner and not by match criteria.

The keygen action consists of the construction of the key and the definition of the distribution. The key is constructed by a set of extract actions arranged in the driver as an array of extractions. Extractions may be done from data, from Parse Result, from default values, but most commonly - from the header. When extraction is taken from the header,, it may be described generically by size and offset, or it may be an extraction of the full field. For a full list of supported headers and fields, see [Section 7.2.5.2.13](#).

When a scheme is initialized, the user must specify the next engine to which the frame should pass after it is processed. The next specified engine must be initialized and valid at this point. Frames may pass to the Custom Classifier or the policer, or they may be directly enqueued to an FQID.

Once schemes are defined, ports may be bound to them. A port may be bound to as many schemes as needed, as long as they are from the same partition and the same NetEnv.

Following figure shows an example of scheme setting and connection to the NetEnv, as shown in [Section "Network Environment Characteristics"](#).

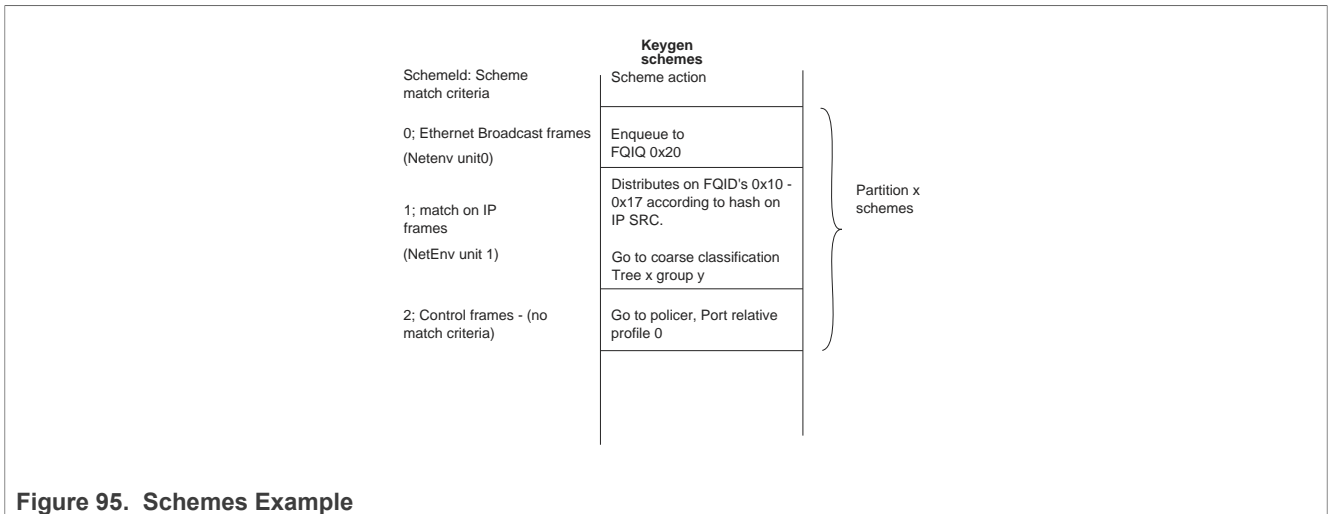


Figure 95. Schemes Example

Runtime Modifications: Valid schemes may be modified at runtime by calling the scheme initialization routine for an existing scheme with the following differences:

1. Passing the scheme handle as returned by the original initialization routine (instead of the scheme's relative ID).
2. Setting 'modify' to be 'TRUE'.

New schemes may be set and unused schemes may be deleted anytime.

Available API:

- FM_PCD_KgSchemeSet
- FM_PCD_KgSchemeDelete

Custom Classifier Root

A Custom Classifier root (or actually the entire CC graph) may be defined per FMan Port or shared by ports on the same partition. It is a set of lookups defined to classify, route and perform manipulation on a flow of frames. The CC graph is built bottom up by connecting CC Nodes. When a node (which is not a leaf in the graph) is set, it points to other nodes. These other nodes must already be initialized.

A CC root is defined by a set of entries that construct the root of the graph, and Custom Classifier Nodes of different types.

Once all nodes in the graph are ready and connected, the root is built by calling the FM_PCD_CcRootBuild routine. The root of the graph is in fact an array of up to 16 root entry nodes. The entry point for a frame is one of the CC root entries, depending on the engine that precedes the CC which is the Keygen.

According to the parser results (which is defined by the NetEnv setting) and Keygen configuration, a frame is directed to one of the entries in the CC root array.

When building the CC root, the user must specify its NetEnv id. Up to four distinction units may define the selection of one node (out of the 16), in a simple bit selection method. The following table shows the CC Root nodes selection (0 = unrecognized by parser, 1 = recognized by parser).

Table 65. CC Root Nodes Selection

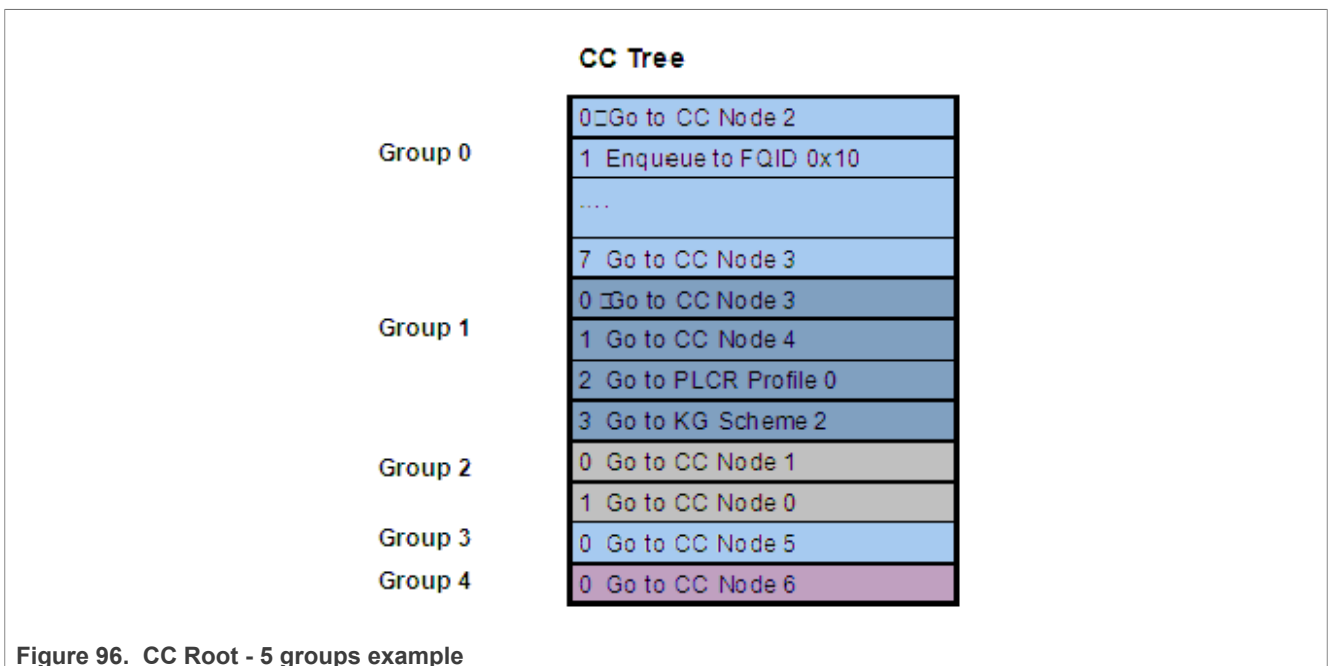
Unit0	Unit1	Unit2	Unit3	Selected Node
0	0	0	0	0
0	0	0	1	1

Table 65. CC Root Nodes Selection ...continued

Unit0	Unit1	Unit2	Unit3	Selected Node
0	0	1	0	2
0	0	1	1	3
0	1	0	0	4
0	1	0	1	5
0	1	1	0	6
0	1	1	1	7
1	0	0	0	8
1	0	0	1	9
1	0	1	0	10
1	0	1	1	11
1	1	0	0	12
1	1	0	1	13
1	1	1	0	14

To allow more than 4 units to be involved in the selection, the 16 entries may be divided into groups. The table above demonstrates an organization of one group of 16 nodes, but other organizations are possible:

- 2 groups of 8 -> each group selected by 3 units (to select nodes 0-7 relative to this group's base)
- 4 groups of 4 -> each group selected by 2 units (to select nodes 0-3 relative to this group's base)
- 8 groups of 2 -> each group selected by 1 units (to select nodes 0-1 relative to this group's base)
- 16 groups of 1 -> indifferent to units (single node group always selected)
- 2-8 groups of varied sizes (8-1)



When building the CC Root, the user must specify the number and size of groups. Then, for each group, an array of per-root-node parameters is passed. The array is ordered according to the table above.

A simplified way of using the CC, is to define up to 16 different groups of one root-node each. In this way, all traffic from a specific Keygen scheme is going to the same group, which is a single node, and no NetEnv unit are selected. Groups 3 and 4 in figure above are an example of a single root group.

The following figure shows a combined use of the NetEnv units in Keygen and Custom Classifier, based on the previous NetEnv and Keygen scheme examples.

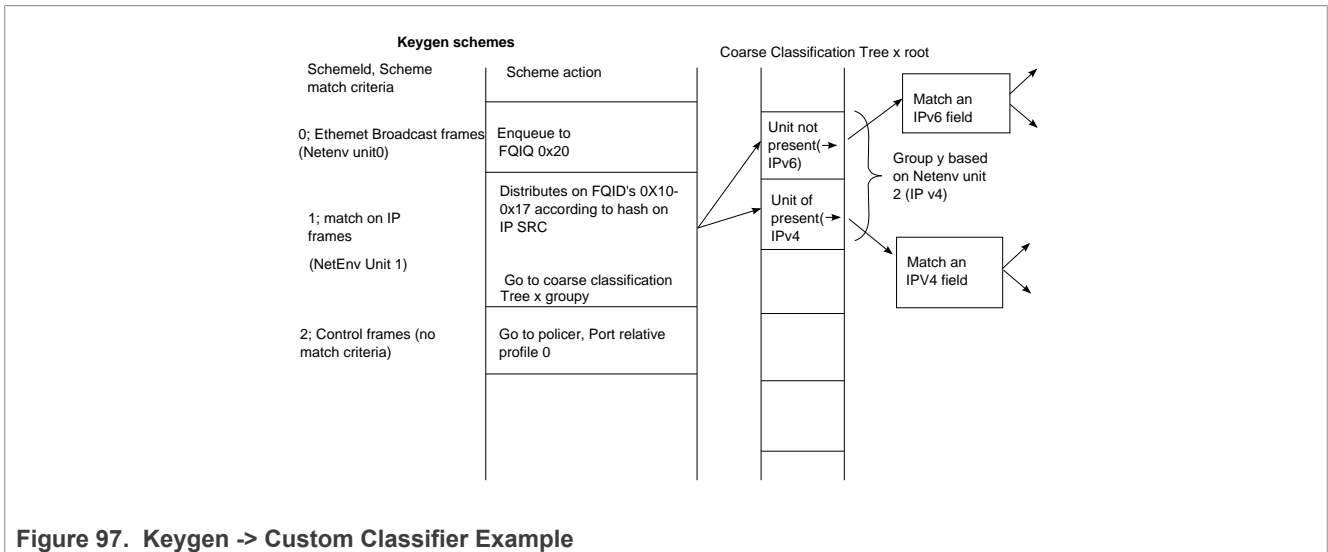


Figure 97. Keygen -> Custom Classifier Example

When a CC root or node is initialized, the driver returns a handle to the root or node respectively. This handle may be used later for specifying the root or node. For example, to build a root, the nodes are specified by passing their handles, and a root handle must be passed when defining a port that uses the Custom Classifier. A port may be bound only to one root, from the same partition and NetEnv as the port.

Runtime Modifications: Custom Classifier nodes may be modified by using one of the routines listed in the "Available API" below.

Custom Classifier Roots may not be changed at runtime. New nodes and roots may be defined and unused ones may be deleted anytime.

Available API:

- FM_PCD_MatchTableSet
- FM_PCD_MatchTableDelete
- FM_PCD_HashTableSet
- FM_PCD_HashTableDelete
- FM_PCD_CcRootBuild
- FM_PCD_CcRootDelete

Specific runtime API:

- FM_PCD_CcRootModifyNextEngine
- FM_PCD_MatchTableModifyNextEngine
- FM_PCD_MatchTableModifyMissNextEngine
- FM_PCD_MatchTableRemoveKey
- FM_PCD_MatchTableAddKey
- FM_PCD_MatchTableModifyKey
- FM_PCD_MatchTableModifyKeyAndNextEngine

- FM_PCD_MatchTableFindNModifyNextEngine
- FM_PCD_MatchTableFindNRemoveKey
- FM_PCD_MatchTableFindNModifyKeyAndNextEngine
- FM_PCD_MatchTableFindNModifyKey
- FM_PCD_HashTableAddKey
- FM_PCD_HashTableRemoveKey
- FM_PCD_HashTableModifyNextEngine
- FM_PCD_HashTableModifyMissNextEngine

Match-Table Nodes

The driver defines two types of Match-Table nodes - Exact-Match nodes and Indexed-Lookup nodes. On both types of nodes a table of entries is defined where each entry leads to a selected next-engine with a selected action. The next-engines may be another CC Node, a Keygen scheme, a Policer profile or an enqueue action to a QM queue. In the last case, the queue may be either an Fqid (frame queue id) that was previously defined - typically by the Keygen, or an explicitly specified new Fqid that overrides any previous Fqid selection.

The difference between the two types of nodes is in the way an entry is selected in the node's table.

On an exact-match node, the user defines an extraction of data taken from the frame or the Internal-Context. The table of entries represent different possible values (keys) for this extraction, so that for each key a next-action is selected. An extra 'MISS' entry is also specified.

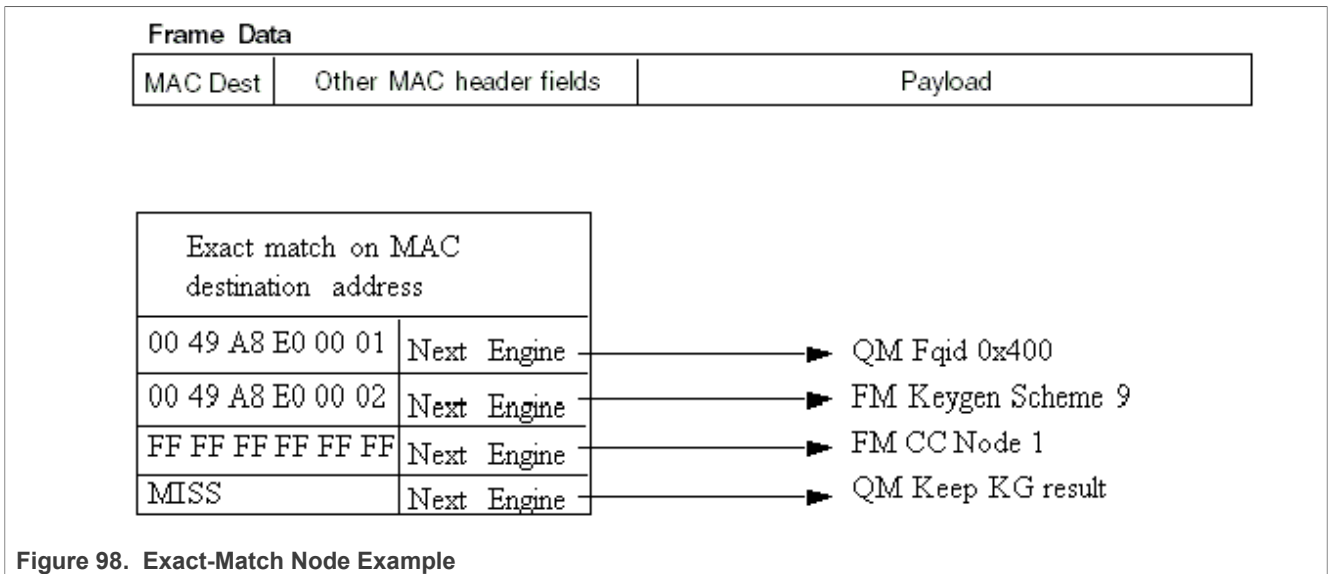
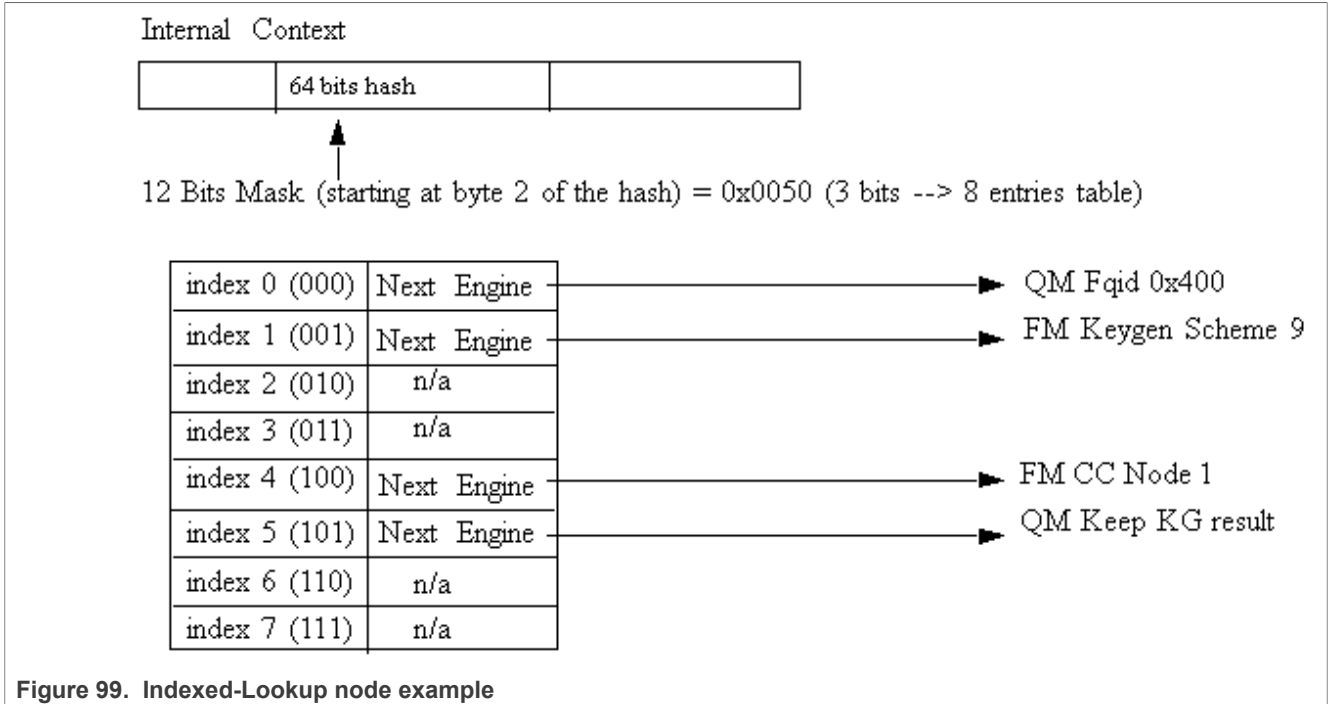


Figure 98. Exact-Match Node Example

On an Indexed-lookup node, up to 2^12 may be defined. The user selects 12 bits out of the Internal Context as an index to an entry in the table. The 12 bits may be masked to select less bits and a smaller table.



Two methods for CC node allocation are available: dynamic and static. Static mode was created in order to prevent runtime alloc/free of FMan memory (MURAM), which may cause fragmentation; in this mode, the driver automatically allocates the memory according to maximal number of keys, as received from the user. The driver calculates the maximal memory size that may be used for this CC node, taking into consideration whether key masks are required and node's statistics mode.

In dynamic mode, maximal number of keys is not provided (equals zero). At initialization, all required structures are allocated according to current number of keys. During runtime modification, these structures are reallocated according to the updated number of keys.

Hash-Table Nodes

The Hash-Table node is a driver managed Hash table. It is defined as a next engine and may follow other CC nodes. The Hash-Table module uses driver lower level CC structures and provides an abstraction layer API consisting of AddKey/RemoveKey routines. By using this module, the user may easily use a hash table based on Keygen key extraction and hash calculation. When initializing this node, the user should define parameters regarding the basic key used for hashing and the structure and size of the hash table (sets/ways).

Manipulations

On the structural aspect, Manipulation nodes are not graph nodes in the way that they do not affect the flow of a frame, and they are not in fact a graph junctions. Manipulations nodes are defined as extensions to existing CC nodes of all types. Any key on any CC node may have a manipulation characterization on top of the next engine definition. This is realized by CC node parameter `h_Manip` which is a handle to a previously initialized Manipulation node (according to the bottom-up principle). The Manipulation node itself does not have a next engine definition and the frame's flow is determined by the last CC node.

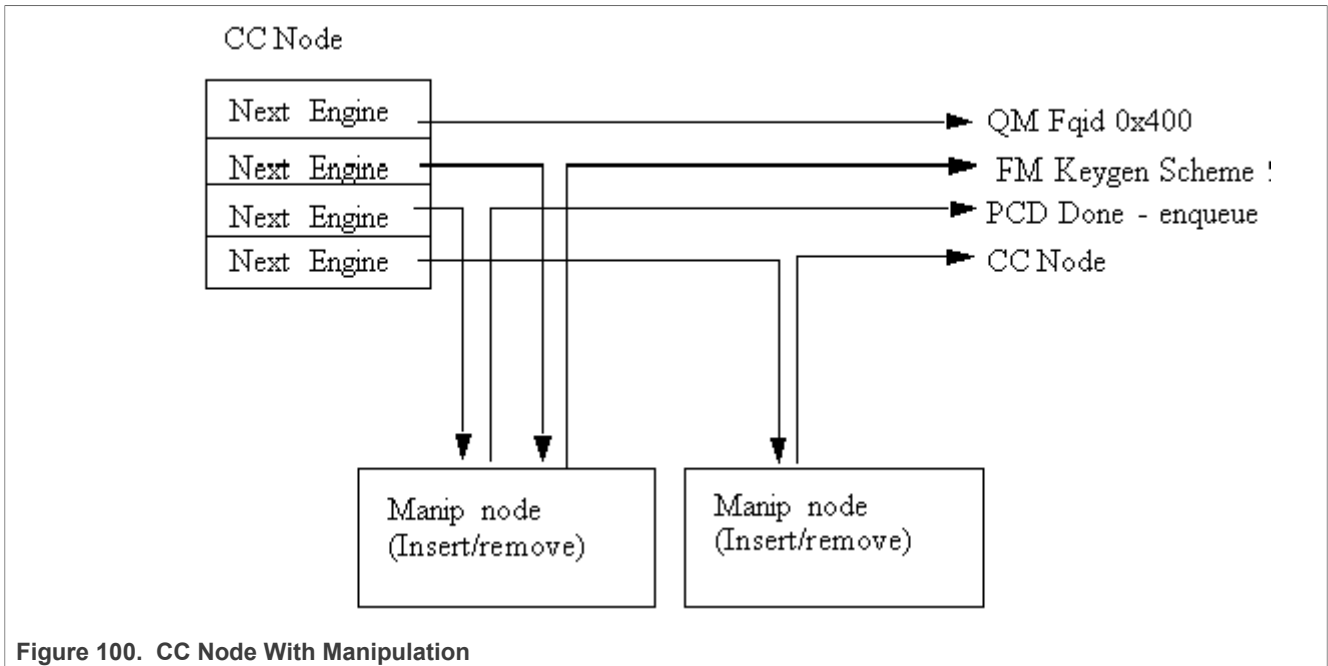


Figure 100. CC Node With Manipulation

Available API:

- FM_PCD_ManipNodeSet
- FM_PCD_ManipNodeDelete

Specific runtime API:

- FM_PCD_ManipNodeReplace (only available for Header-manipulation)
- FM_PCD_ManipGetStatistics

Note:

- For all manipulation types below, the user must call 'FM_PCD_SetAdvancedOffloadSupport' before calling 'FM_PCD_Enable'.
- For each RX/OP-Ports that will work with the above FM-PCD, the user should have at least 16 tnums (num of tasks). in order to set the tnums the user should call 'FM_PORT_ConfigNumOfTasks'.
- It is also required to set the DMA transactions to be per port by calling 'FM_ConfigDmaAidOverride' with 'FALSE' and calling 'FM_ConfigDmaAidMode' with 'e_FM_DMA_AID_OUT_PORT_ID'

Header Manipulation

The header manipulation is implemented by the FMan controller block, and is designed to change the incoming frame header for termination or interworking flow requirements. Header modification can be configured on a per-flow basis or for a user-determined group of flows.

The firmware defines some header manipulation structures which hold parameters for the definition of header manipulation action. It defines a basic table descriptor (Header Manipulation Table Descriptor HMTD) and a table of commands (HMCT), allowing a sequence of manipulations to be performed. The commands table may reside in either internal or external memory. The manipulation may be performed at any stage of the Custom Classifier process. As the manipulation changes the frame, the process allows an additional parsing of the processed frame once the manipulation process had ended.

The Header Manipulation (HM) mechanism is viewed by the driver as an extension to other Custom Classifier Nodes. It may take place at the beginning, the middle or the end of a CC graph, but it may not have an effect on the flow, that is, the selection of the next action.

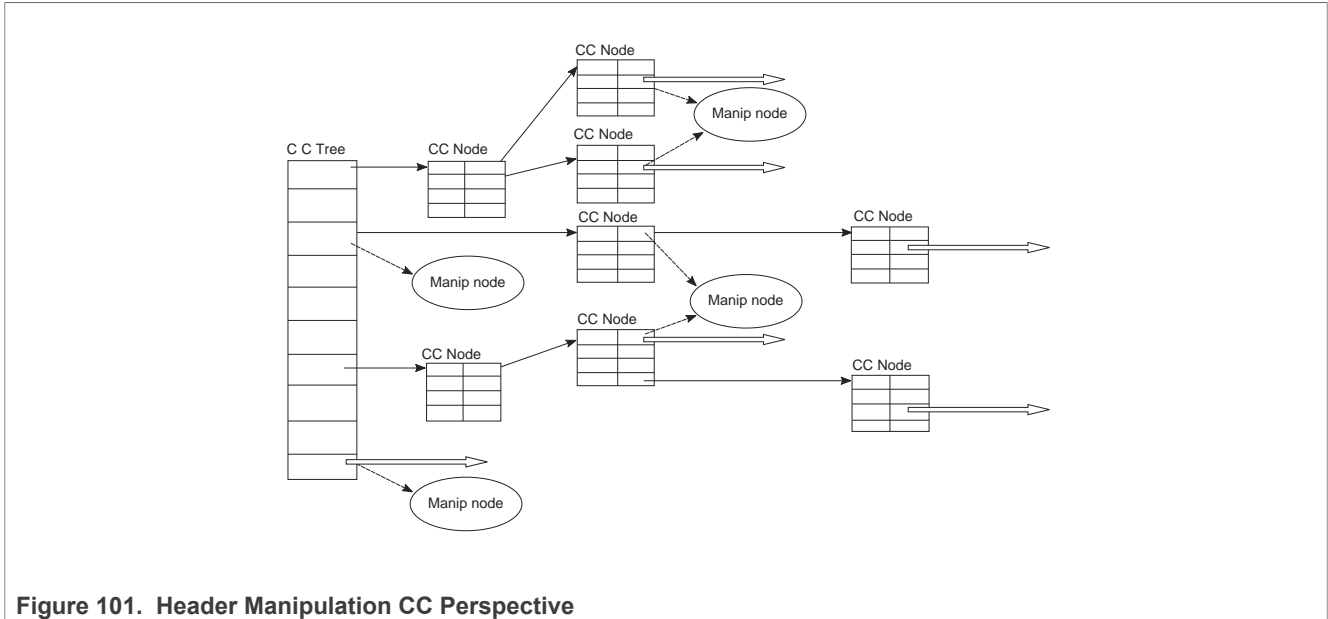


Figure 101. Header Manipulation CC Perspective

The HM action is represented by the driver's Manip node which is a driver submodule (that is, initialized by the user, its initialization routine returns an HM handle).

A Header Manipulation node is an independent unit that has no external information regarding other modules in the PCD graph, its users, its location in the flow, or the next engine it will be followed by.

A CC key or a CC root node may lead to a Header Manipulation node. The CC key/root node will define the next engine that should follow the manipulation. The next engine may be Keygen, Policer, another CC node, or PCD termination (enqueue).

In order to use the HM, the user should first create a Manip node, and then use its handle when defining the CC Node that points to this manipulation action.

A Header Manipulation action may be defined as one of the following manipulations:

- Remove
- Insert
- Fields Update
- Custom

More than one manipulation is allowed only if they are to be performed in the order above and only one manipulation of each type.

Other orders or a list of manipulations of the same type may be achieved by chaining some manipulation nodes by using the `h_NextManip` handle of the Manipulation parameters structure.

HM nodes may be shared, so that the same HM handle can be passed to more than one CC key.

By default, each frame goes back to the parser to be reparsed after the manipulation. However this behavior may be disabled and may have an effect on performance as will be explained in the restrictions note below. It is controlled by the Header Manipulation node parameters.

The parsing option applies to whatever the user initializes as a Manip node - that is, if the node contains a number of commands, the parsing can be done after all the commands and not between them. However, if the set of commands is initialized as a number of nodes that are chained together, the parser may be run after each node.

The driver aims to optimize performance and MURAM utilization. It does so by internally creating a single command table for chained nodes. Note that this optimization is NOT possible if parsing is required between manipulations and in this case the manip nodes are cascaded.

Note that when manipulations are chained, some restrictions apply:

1. Sharing of chained nodes is only possible on the head of the manipulation and not on inner nodes, that is, all the manipulation is shared and not parts of it.
2. When parsing is required between manip nodes, the optimization described above is NOT possible and in this case the manip nodes are cascaded.
3. When parsing is required between manip nodes, the next engine of the last CC node may NOT be another CC node; that is, chained nodes with parsing between them may only exist at the end (and not in the middle) of the CC graph.

IP Reassembly

The FM supports IP reassembly for both IPv4 and IPv6. The FMan accumulates IP fragments until enough have arrived to completely reconstitute the original datagram. IP Reassembly supports a maximum of 16 fragments per frame. Each fragment must reside in a single buffer (not in a Scatter/Gather frame).

The IP Reassembly driver utilizes the FMan Controller and FMan PCD resources in order to provide a full IP Reassembly solution.

The driver's interface is not identical to the hardware resources and provide an abstraction layer to the hardware resources. All IP Reassembly hardware data structures used for IP reassembly manipulation are represented by the software Custom Classifier Manipulation node. On top of the CC Manipulation, the driver internally defines the other resources needed for the full flow.

IP Reassembly flow

Fragments arriving on an Rx (or offline parsing) FMan Port that was configured to support IP Reassembly are recognized and marked by the software parser extension. These frames are steered to direct schemes the Keygen and caught by dedicated schemes that pass them to the Custom Classifier. The CC Root object is configured so that the IP fragments will reach a dedicated root entry node that contains a CC manipulation node. At this point, the IP Reassembly is performed. When a full frame is gathered, it is passed by the FMan controller back to the parser as a full reassembled frame. It is then passed to the Keygen and may be distributed and classified as any other frame.

What should the user do?

The following sequence describes the steps the user must take in order for the flow above to work.

- Initialize general DPAA (BM, BM Portal, BM Pools, QM, QM Portal, FMan and FMan PCD)
- Initialize the Rx/Offline FMan Port on which reassembly should run
- Define PCD as follows:
 - Set a Network Environment with one of the following options:
 - `HEADER_TYPE_IPV4` unit with `IPV4_FRAG_1` option for IPv4 reassembly manipulation.
 - `HEADER_TYPE_IPV6` unit with `IPV6_FRAG_1` option for IPv6 reassembly manipulation.Note that if the user needs IPv4 or IPv6 units for other use, the fragmentation units may not be shared and dedicated units must be defined.
 - Allocate the first one or two schemes - one if only IPv4 is used, 2 if IPv6 is also used. The user should not configure those schemes, just save these schemes from other usage. The driver will use the first scheme for IPv4, and if needed, it will use the second for IPv6.
 - Create reassembly manipulation using `FM_PCD_ManipNodeSet` routine. Pass the relative id's of the schemes allocated above (A single manipulation module should be created for both IPv4 and IPv6 fragmented frames, passing all relevant parameters).

- If CC is used, it is user's responsibility to leave two unused entries when building the CC root nodes (that is, the total number of entries between all groups should not exceed 14).
- Set at least one scheme to catch regular/reassembled frames.
- When binding the Rx/Offline FMan Port to the PCD properties (that is, calling `FM_PCD_SetPCD`), pass a handle to the created Reassembly Manipulation node.

Note that in order to perform distribution or classification on IPv4/IPv6 frames (unrelated to reassembly of IPv4/IPv6 fragments), independent IPv4/IPv6 units with no option must be explicitly defined.

What does the driver do?

In order to provide the required support for IP Reassembly, the driver performs some internal actions triggered by the user configuration. The following information describes the actions the driver internally performs and has no functional relevance to the user:

- When reassembly is required, the driver internally enables parser recognition of IPv4/IPv6 and shim2 - which is the IP Reassembly extension. This is triggered by the user defining NetEnv units with options: `IPV4_FRAG_1/IPV6_FRAG_1`.
- The driver loads the software parser that identifies IP fragments and enables its operation for the required FMan Port.
- The driver defines one or two (one for each IP version) Keygen schemes that recognize IP fragments and are programmed to generate an IP Reassembly key. When a frame is recognized as an IP fragment (by the Parser), it is steered to these Keygen schemes. The user should allocate the first one or two (for IPv4 and/or IPv6) schemes and pass their relative id's to the driver. The driver will internally initialize the relevant reassembly schemes when required.
- Each of the schemes above is programmed by the driver to point to a group in the Custom Classifier Root. If the user did not create a CC Root, the driver internally creates a new one. In both cases, the driver creates the needed group/s in the CC Root. It always uses the last two groups. It is user's responsibility to have at least two empty entries (one for a single IP version, two for both).
- The driver attaches the Manipulation sequence (created by the user) to the appropriate root entry node in the CC Root, causing the reassembly of IP fragments.

Note: *The software parser code required to support reassembly may not coexist with user software parser code. If the user supplies IPv4 or IPv6 software parser code, it must include the code for handling IPv4/IPv6 reassembly according to the FMan controller spec.*

Suggestions of how to use IPR in a system

The PCD with the IPR should identify frames up to L3; that is, if the frame is IP or not.

In case it isn't an IP frame it should pass the desire PCD. IP frames should pass the reassembly process and then be directed to OP-Port to be classified according to their L3 and above.

IP Fragmentation

The FMan supports IP fragmentation for both IPv4 and IPv6. The fragmentation mechanism is implemented by the PCD, specifically by the Custom Classifier. IP fragmentation may be performed using an Offline Parsing FMan Port with a specific PCD configuration that will be described in this section.

The software driver provides API for initializing the IP fragmentation mechanism. driver's interface is not identical to the hardware resources and provide an abstraction layer to the hardware resources. Both of the AD (action descriptor) tables that used for IP fragmentation manipulation represented by the software Custom Classifier nodes using CC Manipulation. IP Fragmentation manipulation is used for fragmentation of IPv4 and IPv6 frames according to a specific MTU. This manipulation can be used on Offline Parsing ports only and as a part of the port's PCD definition. CC Nodes should have an IP fragmentation manipulation characterization in order to trigger this manipulation. This means that in order to create and initialize the IP fragmentation

hardware, the user should create a Custom Classifier Node with Manipulation (refer to [Section " Custom Classifier Root "](#)). All relevant parameters such as MTU are defined during this module creation.

Following is the sequence that should be followed:

- Initialize general DPAA (BM, BM Portal, BM Pools, QM, QM Portal, FMan and FMan PCD)
- Initialize FMan Port of type Offline Parsing
- Define fragmentation PCD as follows:
 - Initialize an empty Network Environment (without any units)
 - Create fragmentation manipulation using `FM_PCD_ManipNodeSet` routine.
 - Create CC Node by calling `FM_PCD_MatchTableSet/FM_PCD_HashTableSet` and attached the fragmentation manipulation previously created to the desired key.
 - Build a CC Root with 1 group that points to the previously defined CC Node .
- Bind the Offline Parsing FMan Port to the PCD properties by calling `FM_PORT_SetPCD`

Manipulation parameters

- MTU of the fragmentation manipulation.
- Scratch Buffer Pool ID is a buffer pool that is required by the fragmentation process in order to ensure correct release operation of the frames and fragments. All IP Fragmentation Table Descriptors should use the same Scratch Buffer Pool ID. This pool must not be used by any other process or engine in the system.
- Don't Fragment Action - by setting this parameter the user can determine the action to be taken in case the IP packet is larger than the defined MTU and the 'Don't Fragment' (DF) bit of the frame is set.

Note: *The software parser code required to support fragmentation may not coexist with user software parser code. If the user supplies IPv6 software parser code, it must include the code for handling IPv6 fragmentation according to the FMan controller spec.*

Restrictions:

1. Tx confirmation is not supported.
2. Only Bman buffers shall be used for frames to be fragmented.
3. IP-Fragmentation will not work on OP-Port with VSP enabled.
4. fragmentation of IP-fragments is not supported
5. IPv4 packets containing header option field are fragments by copying all option fields to each fragment, regardless of the copy bit value.
6. Maximum number of fragments per frame is 16.

Suggestions of how to use IPF in a system:

In case one of the #1-#3 restrictions above is critical, then it is suggested not to use IPF on OP-Ports that receive frames from the GPP and to do it on the GPP itself. We also suggest to put the IPF on a OP-Port just before the TX-Port.

IPSec Manipulation

The IPSec Manipulation is a specific instantiation of the special offload manipulation. It is designed to handle IPSec traffic in order to support the following actions:

- Support of variable outer header size
The user should initialize a Manipulation node of this type passing the relevant parameters
- Support for both ipv4/ipv6 IP version within SA
The user should initialize a Manipulation node of this type passing the relevant parameters.
- ECN/DSCP copying from inner/outer IP header to outer/inner.
In order to use this functionality the user must follow the following steps:
 - Define a Manipulation node of this type passing the relevant parameters

- For the relevant Rx/OP port, define a buffer prefix that includes at least the Keygen hash result.
- Use SEC parameters to support this operation

Frame Replicator

The Frame Replicator (FR) is designed to duplicate incoming packets and route them to separate destinations. It is defined as a next engine and may follow other CC nodes, that is, Match-table key, Hash-Table key or a CC-Root entry.

A Frame Replicator is realized by a group of members, where each member defines a replication of the incoming frame and a route to continue.

The next engine after FR is restricted to one of the following:

- Enqueue (PCD Termination)
- Policer
- Keygen (Direct scheme that leads to either Policer or PCD Termination)

When initializing an FR node, the user must define the maximum number of members this node may contain. The actual number of members may be modified on runtime by adding and removing FR group members.

Runtime modifications of add/remove members to/from the group can be done at any point in the system and in any location of the members group (first, middle or last). Note that runtime-modifications require the use of Host Command.

The order of the members in the group is of significance as the implementation of the replication is serial.

Manipulation may be applied to:

1. The whole group. The manipulation node should be placed before the replication group. That means that the FR is the next-engine of the Manip node. The Manip node is the next-engine of a key in a Match-table or Hash-table.
2. The last member of an FR group. That means that the manip node is the next-engine of the last member of the FR group.

Note: No support of Manip node after the "non-last" members.

The driver supports sharing of FR nodes means that FR group may be shared by more than one source.

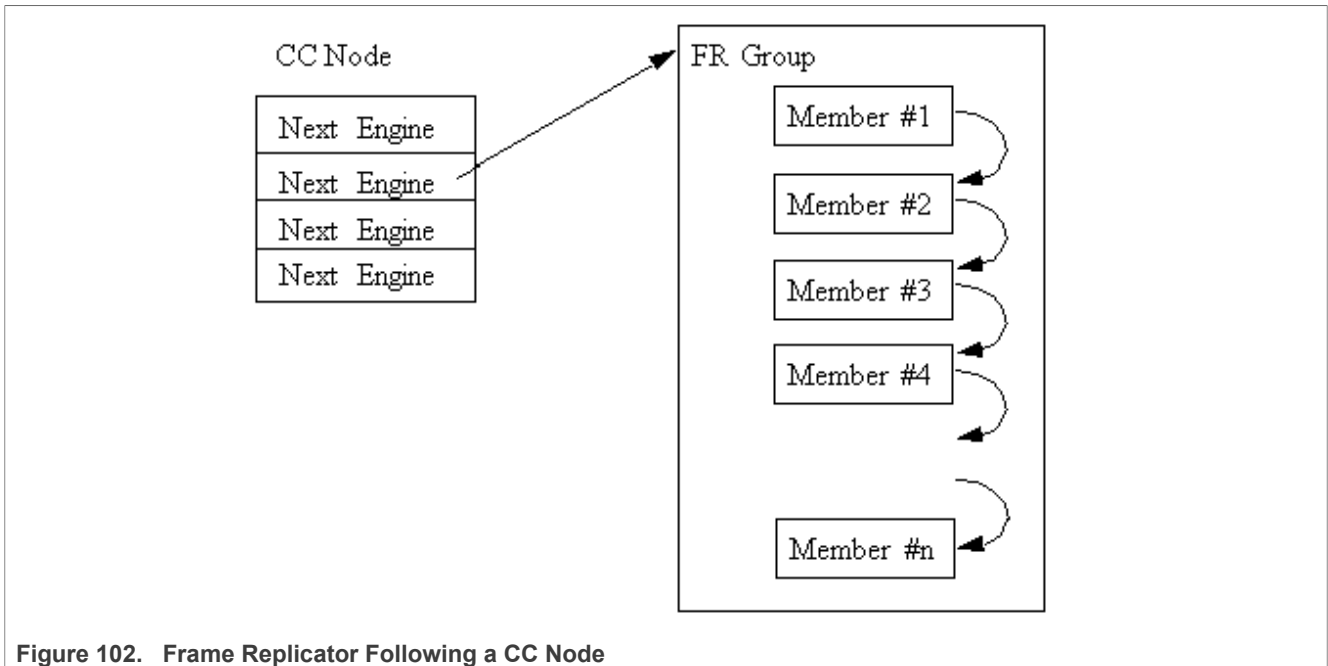


Figure 102. Frame Replicator Following a CC Node

Available API:

- FM_PCD_FrmReplicSetGroup
- FM_PCD_FrmReplicDeleteGroup

Specific runtime API:

- FM_PCD_FrmReplicAddMember
- FM_PCD_FrmReplicRemoveMember

Note:

- For all manipulation types below, the user must call 'FM_PCD_SetAdvancedOffloadSupport' before calling 'FM_PCD_Enable'.
- For each RX/OP-Ports that will work with the above FM-PCD, the user should have at least 16 tnums (num of tasks). In order to set the tnums, the user should call 'FM_PORT_ConfigNumOfTasks'.
- It is also required to set the DMA transactions to be per port by calling 'FM_ConfigDmaAidOverride' with 'FALSE' and calling 'FM_ConfigDmaAidMode' with 'e_FM_DMA_AID_OUT_PORT_ID'

Policer Profiles

The policer profile entity relies on the hardware entity. It defines rules for policing for a certain flow. There are 256 different profiles in a frame manager that may be organized in per port windows. Some profiles may be shared between ports on the same PCD. By default, the number of shared profiles is set by the driver, but the user can also configure it to a different value. Shared profiles are typically used for aggregation.

When a PCD is defined in a single partition environment, it is the owner of all 256 profiles. When a PCD is defined in a multipartition environment, it is the owner of its shared profiles along with all the profiles that will be allocated per port for ports on this partition. The user must explicitly allocate per-port profiles for each port (if required), after PCD is initialized and prior to the profile initialization. Note that per-port profiles are the only PCD resource that is explicitly allocated and initialized for a specific port.

After profiles are mapped, the user may initialize each of the profiles by stating the following:

- Type
 - Shared
 - Per-port
- Offset relative to the port or to the shared group of profiles
- Characteristics

Once initialized, a handle is assigned to the profile for later use.

The Policer may be used after the Parser, Keygen or Custom Classifier, or solely - without activating any of the other PCD engines. It is not dependent on any previous output such as parser result. The policer may be used more than once in a frame flow. The next action after a police profile is either to pass the frame to a direct Keygen scheme for a new distribution (typically for control frames coming from the Custom Classifier), to pass the frame to another profile (always a shared profile, typically an aggregator), or to enqueue the frame to an FQID.

When other engines select a policer profile as the next engine, its handle must be passed. An exception is when a per-port profile is specified as the next engine of a scheme or of a "overrideParams" CC key. In these cases a port-relative index is required instead. The reason for this is that the required Policer Profile may not be initialized at this stage and therefore have no handle. This irregular behavior is because CC Roots and KG schemes may be shared by ports, and at the time of scheme/root initialization, they are not yet bound to specific ports. In this context, the profile selected may in fact be uninitialized and therefore cannot be verified by the driver. It is therefore user's responsibility to make sure it is set prior to port- PCD binding.

Runtime Modifications: Valid profiles may be modified at runtime by calling the profile initialization routine for an existing profile, passing the profile handle as returned by the original initialization routine, and specifying modify (instead of the profile's relative id). New profiles may be set and unused profiles may be deleted anytime.

Available API:

- FM_PCD_PlcrProfileSet
- FM_PCD_DeleteProfilePlcr

PCD Organization

By initializing PCD resources, the user creates a directed graph in which the parser is the source of the graph and the FQIDs are its endpoints. Following figure shows a generalized example of a basic PCD graph.

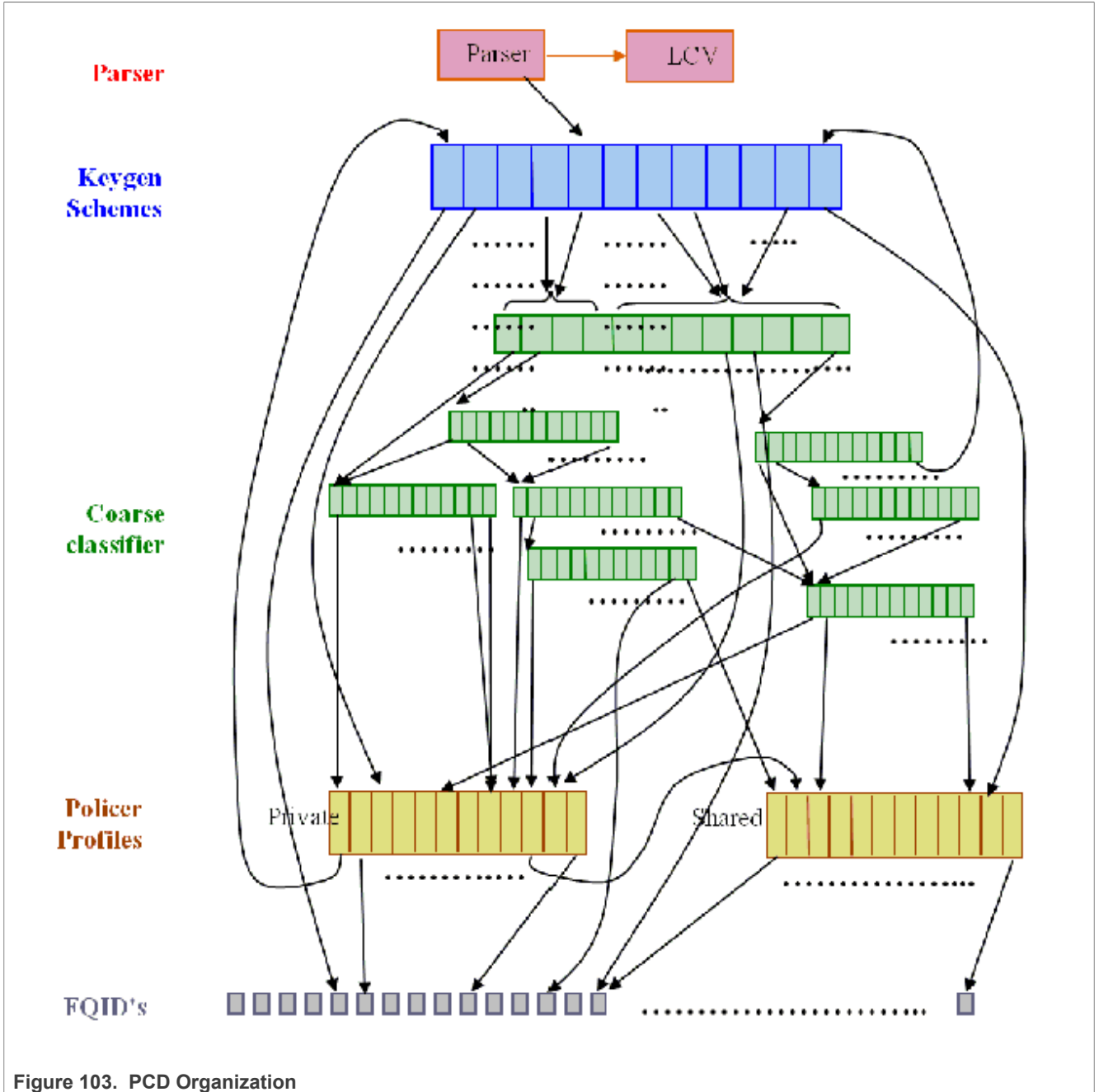


Figure 103. PCD Organization

PCD Definition Sequence

When a PCD graph is defined, its resources must be initialized bottom up when there is a dependency between them. Following figure shows the order of initialization (starting at the top of the figure) in a specific sequence.

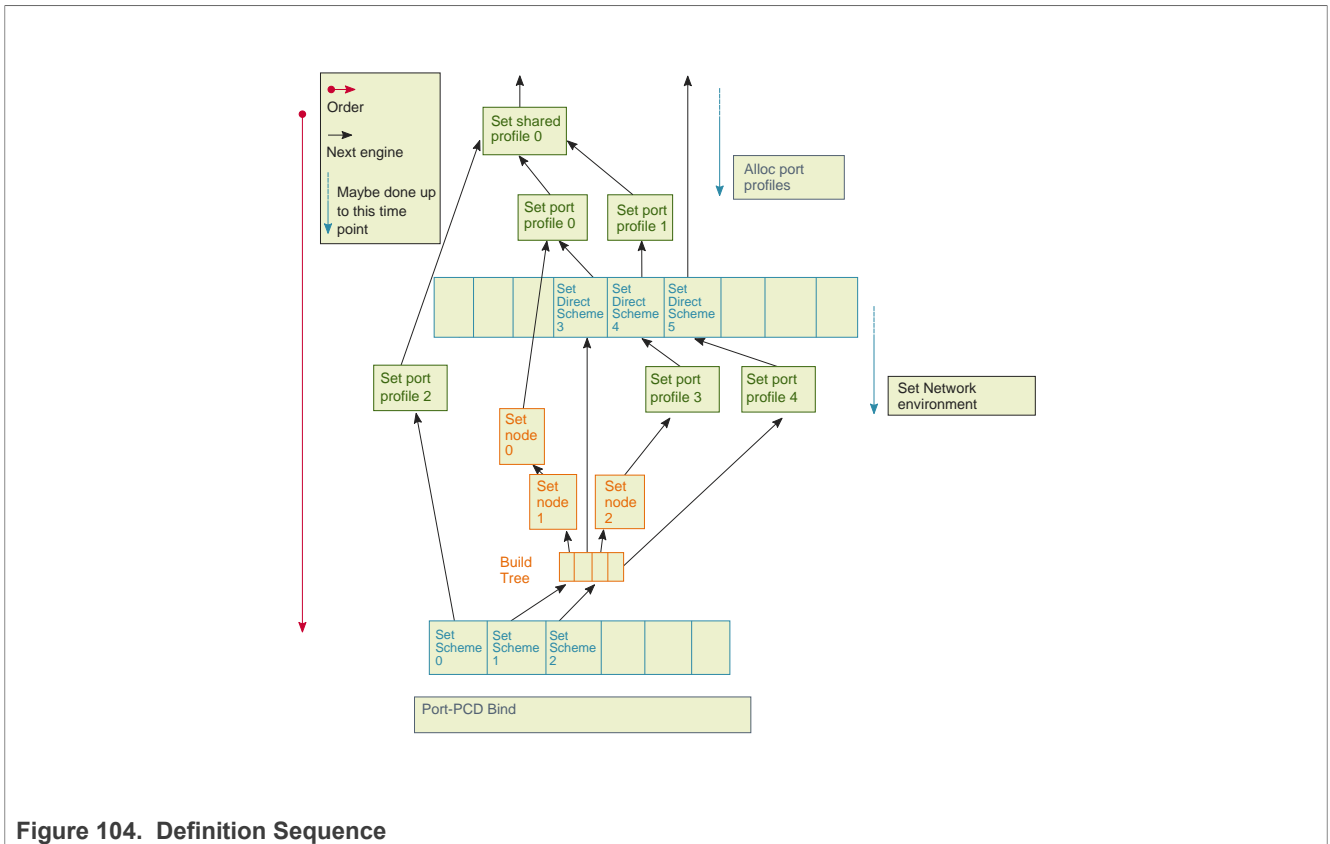


Figure 104. Definition Sequence

Host Command

Some PCD functionalities may be managed by either memory-mapped registers or by the host command mechanism to allow independent programming in a multipartition environment. In a single partition environment in the FMan driver, the host command mechanism is optionally used, but in a multipartition environment, wherever available, only the host command is used to prevent a risk of racing. The host command driver is a part of the PCD driver and is initialized internally by the driver, using user parameters.

When PCD is first initialized in a single-partition environment, the user must specify whether the host command should be used, and if so, host command parameters are required. In a multipartition environment, the use of the host command is forced and all host command parameters are required. When PCD initialization routine is called by the master/single partition driver, the user parameters include host command port parameters (such as port id, virtual address, and default queues) and the FMan Port for the host command is internally initialized.

PCD Statistics

The FMan PCD API provides access to all the statistics gathered by the FMan PCD engines hardware. Statistics is enabled by default but may be disabled/enabled at runtime using the dedicated API.

The following API routines may be called at any time after initialization to retrieve any of the following FMan PCD counters:

- FM_PCD_GetCounter
- FM_PCD_KgSchemeGetCounter
- FM_PCD_PlcrProfileGetCounter

Custom Classifier Statistics

A CC node supports statistics gathering on per-key basis. In order to enable statistics gathering by a CC node (Match table or Hash table), statistics mode must be provided upon initialization of that node and this will determine the statistics mode for all keys of the CC node.

Next, statistics should be enabled per-key, meaning statistics should be enabled for every key that the user wishes to monitor.

After these steps, the following API routines may be called to retrieve the statistics:

- FM_PCD_MatchTableGetKeyCounter
- FM_PCD_MatchTableGetKeyStatistics
- FM_PCD_MatchTableFindNGetKeyStatistics
- FM_PCD_HashTableFindNGetKeyStatistics

7.2.5.2.8 FMan Port Driver

The FMan Port driver module refers to the per-port features of the FMan, including port configuration and initialization, runtime functionalities and PCD binding.

7.2.5.2.8.1 FMan Port Hardware Overview

The FMan hardware supports a SoC dependent number of inline and offline FMan Ports of the following types:

- 1G Rx Ports
- 1G Tx Ports
- 10G Rx Ports (may be eliminated on some SoCs)
- 10G Tx Ports
- Offline/Host-command ports

Port configuration is controlled through a set of per-port, type-dependent memory mapped registers. That is, Each port has its own memory map area. In addition, some FMan common registers also affect port behavior - for example, global resources such as tasks number are declared in the common registers.

FMan Port Driver Software Abstraction

The FMan Port module is an independent module. On port configuration, the user selects the type and the mode of each port (Tx/Rx, 1G/10G, online/offline/Host command, regular/independent), and specifies the port index relative to its type. This index is not related to the hardware port id as described in the hardware spec.

The driver provides abstraction to the common/private division of registers location in the memory map. That is, all registers that are logically relevant to the port are handled by the FMan Port driver, even if they physically belong to the common FMan memory map.

7.2.5.2.8.2 How to use the FMan Port Driver?

The following sections provide practical information for using the software drivers.

FMan Port Driver Scope

- FMan Port hardware structures configuration and enablement
- Resource allocation and management
- FMan port types support
- Offline-Parsing ports

- Independent-Mode
- Simple BMI-to-BMI (regular) mode
- PCD Binding
- Rate limiting
- Interrupt handling
- Statistics support

FMan Port Driver Sequence

- FMan Port Config routine
- [Optional] FMan Port advance configuration routines
- FMan Port Init routine
- FMan Port runtime routines
- FMan Port Free routine

FMan Port Driver Functional Description

The following sections describe main driver functionalities and their usage.

FMan Port Configuration and Initialization

On FMan Port driver initialization, the software configures all FMan Port registers. It supplies default values where no other values are specified, it enables hardware mechanisms and initializes software data structures for software management.

By the time initialization is done, FMan is ready to be used and any of the FMan submodules (FMan-Ports, MAC's and so on.) may be initialized.

FMan Port Types

The driver provides API for the initialization of the following port types/modes:

- Tx 1G port
- Tx 1G port - independent mode
- Rx 1G port
- Rx 1G port - independent mode
- Tx 10G port
- Tx 10G port - independent mode
- Rx 10G port
- Rx 10G port - independent mode
- Offline Parsing Port

The driver also holds a single host-command port internally when mandatory (multi-partition environments) or when user explicitly requires it.

Independent-Mode

Dpaa-im is an Ethernet driver using Dpaa to implement in independent mode.

Dependence:

1. All the DPAA drivers in kernel have conflict with dpaa-im, should be disabled in kernel configuration file, the list as below:

```
CONFIG_FSL_SDK_DPA
CONFIG_FSL_SDK_FMAN
CONFIG_FSL_SDK_DPAA_ETH
CONFIG_FSL_DPAA
CONFIG_FSL_FMAN
CONFIG_FSL_DPAA_ETH
```

2. Linux should be built before building dpaa-im

3. dpaa-im is based on dash-lts 1812 release for linux-4.9 and linux-4.14

Building

To build dpaa-im as a module

```
cd dpaa-im
```

```
make build KERNEL_DIR=<path-to-linux> ARCH=arm64 CROSS_COMPILE=<arm64-toolchain>
```

For example, make build KERNEL_DIR=~/.linux ARCH=arm64 CROSS_COMPILE=aarch64-linux-gnu-
after building, you will see module file "dpaa_eth_im.ko"

In addition, use "make clean KERNEL_DIR=<path-to-linux> ARCH=arm64 CROSS_COMPILE=<arm64-
toolchain>" to clean

Using

1. FMan firmware should be loaded in U-Boot.

2. Boot up Linux.

3. In linux, run command "insmod dpaa_eth_im.ko", kernel will print:

```
[ 0.535089] fman_im: QorIQ FMAN Independent Mode Ethernet Driver load ed
```

```
[ 0.541782] DEV: FM1@DTSEC3, DTS Node: fsl,dpaa:ethernet@6
```

4. run command "ifconfig -a", dpaa-im ethernet(FM1@DTSEC3) could be saw, then use it as normal Ethernet.

```
FM1@DTSEC3 Link encap:Ethernet HWaddr 00:e0:0c:00:77:00
```

```
BROADCAST MULTICAST MTU:1500 Metric:1
```

```
RX packets:0 errors:0 dropped:0 overruns:0 frame:0
```

```
TX packets:0 errors:0 dropped:0 overruns:0 carrier:0
```

```
collisions:0 txqueuelen:1000
```

```
RX bytes:0 (0.0 B) TX bytes:0 (0.0 B)
```

```
lo Link encap:Local Loopback
```

```
inet addr:127.0.0.1 Mask:255.0.0.0
```

```
inet6 addr: ::1/128 Scope:Host
```

```
UP LOOPBACK RUNNING MTU:65536 Metric:1
```

```
RX packets:0 errors:0 dropped:0 overruns:0 frame:0
```

```
TX packets:0 errors:0 dropped:0 overruns:0 carrier:0
```

```
collisions:0 txqueuelen:0
```

RX bytes:0 (0.0 B) TX bytes:0 (0.0 B)

Resource Management

FMan Port-related resources (TNUMs, DMAs, FIFOs, and so on.)- These resources are used by the BMI. The driver selects default values for these resources but they may need some tuning depending on the specific application, based on the total number of ports used and the performance requirements of the system. The driver provides an API routine `FM_PORT_AnalyzePerformanceParams` that uses performance monitoring mechanism in order to see the resources utilization at runtime.

The FMan Port driver allocates its resources by calling the FMan "front-end" driver. The FMan "front-end" allocates the resources by calling the "back-end" through IPC if it is in guest mode or through direct call if it is not in master mode. The port driver does not access those resources at runtime; the resources are being used only by the hardware of a port.

PCD-related resources (Keygen-schemes, policer-profiles, and so on.)-During the initialization of the FMan-PCD driver on each partition, the driver allocates all the required resources (configurable by the user) through IPC call to the "back-end" driver. From that point, all the resources are being handled locally on the partition. Note, that all access to these resources are still done through host-command and that assures proper synchronization between different partitions (that is, one can access these resources by mistake from a different partition in the system).

PCD Custom-Classifer tables-The CC tables are being allocated on the MURAM memory. This means that upon initialization of this partition, piece of MURAM should be allocated to the partition (according to how much the partition requires). From that point, the local PCD driver will manage the MURAM allocation by itself.

Virtual Storage Profiles Support

An FMan Port may use the legacy Physical Storage Profile or the Virtual Storage Profiles (VSP). This section will discuss the usage of VSP by an FMan port, while more information about the VSP mechanism which is implemented by the driver as separate entity `FM_VSP`, can be found in [Section 7.2.5.2.10](#).

When a user wants to set an Rx or OP port to work in virtualization mode using VSP's rather than the physical SP, user should call the function which allocates a storage profile window (range of VSPs allocated in continuously manner) to a port. The user should also define which profile in this range should be used as default SP; note that the default profile should be a relative index within the allocated window. Upon calling the window allocation routine, the driver enables virtual mode (that is, using VSPs) for this port, allocates its profiles and defines default SP. In order to redirect a packet into a certain VSP, user may set the 'relative-VSP-id' within the PCD graph nodes (For example, in the match-table entries). The value in the PCD graph nodes is port relative so if two ports are sharing the same PCD graph node (For example, a match-table), the actual VSP will be selected by the 'relative-VSP-id' plus the port's base VSP as shown in the figure below.

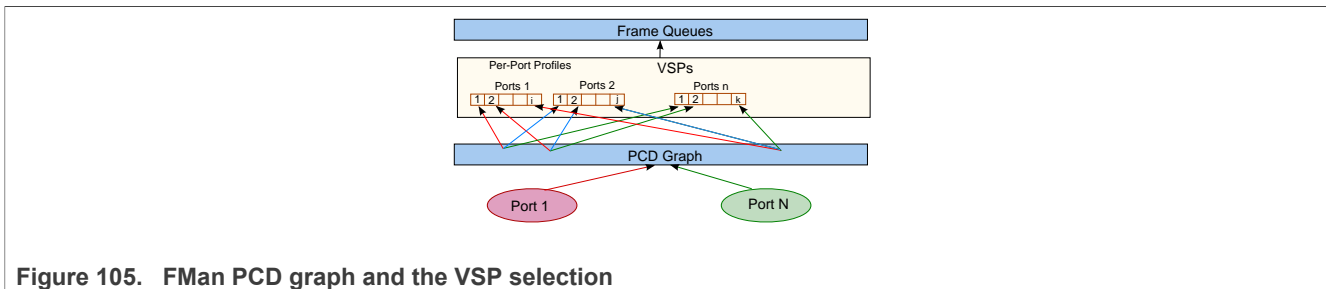


Figure 105. FMan PCD graph and the VSP selection

Rules and restrictions regarding the use of VSP:

- When called for Rx ports, the allocation routine expects also the handle of coupled Tx port as a parameter; the driver sets automatically the Tx port to work in VSP mode also and use the same default profile for this port.
- Storage Profiles windows may not overlap; that is, sharing of VSPs between FM ports is not allowed by the driver.
- A call to the allocation routine requires that the FM port will be disabled. In the case of Rx port, coupled Tx port should also be disabled. When an FM Port (that has VSP mechanism enabled) is enabled, at least the default profile must be initialized.
- A call to the allocation routine may not be reverted, that is, it's impossible to disable virtualization mode.
- Number of profiles to be allocated must be a power-of-2. In addition, the "base-profile" that will be allocated by the driver will be aligned to the number-of-profiles provided by the user.
- For FM-Port that works with VSP, its classification should also use VSP; that is, classification (For example, KG scheme or CC-node) should NOT try to revert from VSP to the FM-Port "physical" SP.
- When user frees all resources of FM port, the driver frees automatically VSP window which has been allocated for this port.

Initialization Sequence:

- Initialize FM Tx Port
- Initialize FM Rx Port
- Allocate VSP for FM Rx Port (therefore enabling virtualization mode)
- Initialize default VSP (See [Section 7.2.5.2.10](#))
- Enable FM Ports

Free Sequence

- Disable Ports
- Free the default VSP
- Free FM Tx Port
- Free FM Rx Port

Rate Limiting

The driver supports the hardware mechanism of rate limiting for Tx ports. The runtime API consists of a number of parameters including a definition of the required rate (in kB/s for Tx ports, in frame/sec for offline parsing ports) and refers to data rate rather than line-rate.

Simple BMI-to-BMI (regular) mode

This is the default FMan Rx/Offline Parsing Port mode. After Port initialization and prior to Port-PCD binding, all traffic will be received on the default Rx queue. This mode is called "BMI-To-BMI" as no PCD is involved in the data reception.

This mode is useful for the early state of a port as well as when major runtime PCD modification takes place. In such a case, sometimes the whole PCD functionality needs to be manipulated and the user should temporarily detach the Port from the PCD, receive all frames on the default Rx queue and only reattach it to the PCD after the modifications have completed.

Port LIODN

An FMan Port LIODN is constructed out of a base and offset.

Upon FMan Port configuration, the user must specify the port's base LIODN.

For Rx ports, the user must also specify the LIODN offset for each port. No such configuration is required for Tx and Offline Parsing ports since on transmission, the offset LIODN is taken from the frames' FD. The FD is set according to the source of the frame - if transmitted by CPU, it is dynamically set by the QM SW portal. Another scenario is frames forwarded by other engines, in such a case their FD must contain the correct LIODN offset.

Port-PCD Binding

Ports may be linked to the PCD graph according to their PCD binding specifications and considering partition and Network Environment restrictions.

Following figure shows a schematic demonstration of possible port > PCD binding.

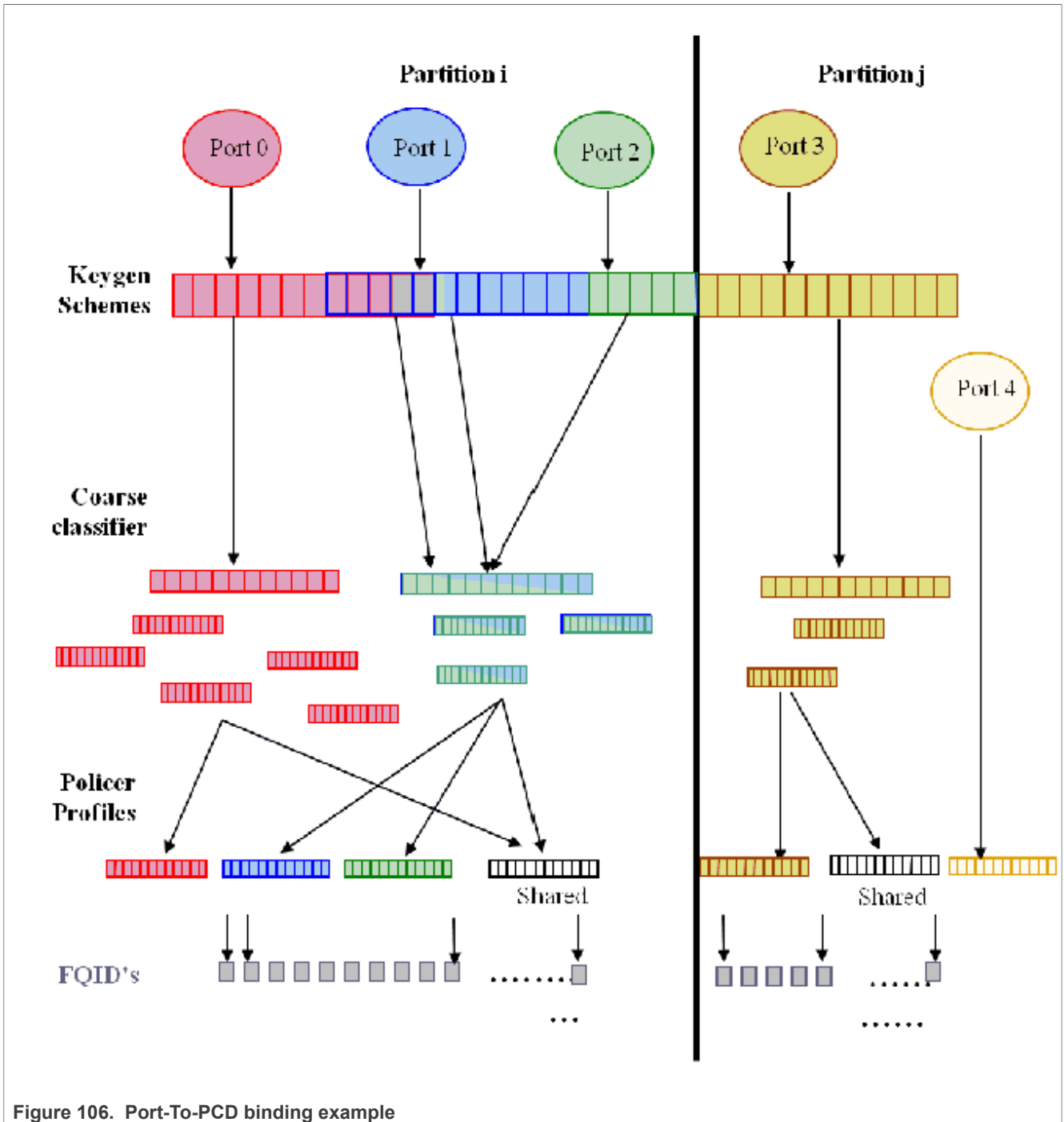


Figure 106. Port-To-PCD binding example

Once a set of PCD resources is set and organized as described above, a port may be bound to all or some of the resources by calling the `FM_PORT_SetPCD` routine. This routine, is referred to as the Port-PCD bind routine. It accepts a set of parameters that specify the PCD resources used by the port, configures PCD-related parameters in the port, and binds PCD resources to the port. The `FM_PORT_DeletePCD` should be called when the port no longer needs the configured PCD functionality. This action is referred to as Port-PCD unbinding.

Another possible action that affects the Port-PCD relationship is calling `FM_PORT_DettachPCD` for a port that is bound to PCD. This causes the port to stop using the PCD functionalities, which results in all frames

being passed to the default FQID. Note that calling `FM_PORT_DeletePCD` unbinds the port from the PCD functionalities by removing the connections, while `FM_PORT_DetachPCD` does not remove them but only causes the port to stop using them. To return to using the PCD, `FM_PORT_AttachPCD` should be called.

Certain runtime modifications may not be done directly, but require either the unbinding of PCD functionalities or PCD detaching. This should be done by calling the required delete/detach routines, making the desired changes, and calling set or attach to return to using the PCD. These actions will be referred to as resetting/detaching the Port-PCD. In the time between the calls of the two routines, the port continues to work, but its PCD functionalities are disabled. In both cases, all frames arriving at this time are enqueued to the default receive queue.

In the sections below, the relationship between the port and each of the PCD resources will be explained in terms of initialization and runtime modifications.

General

The port-PCD binding affects the flow of received frames on that port in terms of PCD functionality. The user must first define the general PCD for the port, using the following enumeration types, which define the superset of engines that may be used.

- `e_FM_PORT_PCD_SUPPORT_PRS_ONLY` (Use only Parser)
- `e_FM_PORT_PCD_SUPPORT_PLCR_ONLY` (Use only Policer)
- `e_FM_PORT_PCD_SUPPORT_PRS_AND_PLCR` (Use Parser and Policer)
- `e_FM_PORT_PCD_SUPPORT_PRS_AND_KG` (Use Parser and Keygen)
- `e_FM_PORT_PCD_SUPPORT_PRS_AND_KG_AND_CC` (Use Parser, Keygen and Custom Classifier)
- `e_FM_PORT_PCD_SUPPORT_PRS_AND_KG_AND_CC_AND_PLCR` (Use all PCD engines)
- `e_FM_PORT_PCD_SUPPORT_PRS_AND_KG_AND_PLCR` (Use Parser, Keygen and Policer)

Runtime Modifications: The engines set may be changed at runtime only by resetting the Port-PCD.

Available General Port API:

- `FM_PORT_SetPCD`
- `FM_PORT_DeletePCD`

Network Environment

When calling the Port-PCD binding routine, the user must specify a single NetEnv by passing its handle. This setting is used for the port parser and affects the PCD behavior.

Runtime Modifications: The NetEnv may not be modified at runtime. If the port requires a change of its NetEnv, it must first reset its Port-PCD connection, then use the PCD routines to do the required changes, and then reconnect to the PCD.

Parser

The hardware parser port configuration is taken directly from the NetEnv specified for the port. Other parsing configurations are explicitly defined by the user at the parameter's structure.

The software parser may be used on a per-port-per-header basis. When PCD is set per port, there is an option in the parser parameters to choose additional parameters per header. One of the optional per-header additional parameters is to enable the software parser for that header. When set, an index should be declared to select the software parser code. The header and index must be specified in the labels' table of the software parser code that was loaded on PCD initialization. Software parser enablement may be done for as many headers as required.

Runtime Modifications: Only the starting point of the parser may be changed on the fly. Any other changes require PCD resetting.

Available Port API:

- `FM_PORT_PcdPrsModifyStartOffset`

Keygen Schemes

In order for a port to use Keygen schemes, the port must be bound to those resources. The port may be bound to any number of schemes. At the port bind routine, the user passes a list of scheme handles, as returned by the server at scheme setting, for binding to the port. At least one scheme must be specified. All specified schemes must be valid at that time. If the initial scheme after the parser is used directly without using the match criteria, its id should be passed as one of the parameters to the Port-PCD binding routine.

Runtime Modifications: During runtime, new schemes may be set and then bound to an existing enabled port or existing schemes may be modified. Schemes that are not required by the port may be unbound. Note that when modifying existing schemes, all ports bound to those schemes are affected. If specific schemes are not required anymore, they must first be unbound from the port. If no other port is using them, they may be deleted. The selection of the initial scheme after parser (from direct to indirect and vice versa) may be also changed at runtime.

Available Port API:

- `FM_PORT_PcdKgBindScheme`
- `FM_PORT_PcdKgUnbindScheme`
- `FM_PORT_PcdKgModifyInitialScheme`

Custom Classifier graphs

If a port is using the Custom Classifier graph, an initialized Custom Classifier Root handle (as returned by the `RootBuild` routine) must be passed when calling the port bind routine.

Runtime Modifications: The CC graph (as well as the CC Root) itself may be modified at runtime, but ports binding to a CC Root may be changed only by detaching and then reattaching the Port-PCD.

- `FM_PORT_PcdCcModifyTree`

Policer Profiles

Before any port profile is set, the profile allocation routine must be called to bind the port to the policer profile. This is required as the port's binding to the policer profile is not done using the port bind routine. It is only then that per-port profiles may be set, and the port bind routine is subsequently called. If Keygen or parser is not used (that is, policer is reached directly after parser or from BMI), the port bind routine parameters must specify which policer profile is used (otherwise, no policer parameters are required).

Runtime Modifications: The initial profile selection may be changed during runtime. All profiles allocated to a port are in fact bound to this port, so no runtime binding/unbinding is possible. Uninitialized port profiles (profiles that were allocated for this port but not used) may also be set during runtime, or existing profiles may be modified. If specific profiles are not required anymore, they may be deleted. If a change in port profile allocation is required, follow the steps given below to reset the Port-PCD:

1. Port-PCD deleted
2. Profiles deleted and freed
3. New profiles allocated and set
4. Port-PCD set

Available Port API:

- `FM_PORT_PcdPlcrModifyInitialProfile`
- `FM_PORT_PcdPlcrFreeProfiles`
- `FM_PORT_PcdPlcrAllocProfiles`

Port-PCD Binding Changes

There are three levels of Port-PCD binding changes:

- **Basic Runtime Modifications**-May be invoked while PCD is active and on enabled ports using PCD.
 - Port routines responsible for binding/unbinding to/from the modified resources.
 - FM_PORT_PcdKgBindScheme
 - FM_PORT_PcdKgUnbindScheme
 - Port routines responsible for PCD change of behavior.
 - FM_PORT_PcdKgModifyInitialScheme
 - FM_PORT_PcdPlcrModifyInitialProfile
 - FM_PORT_PcdPrsModifyStartOffset
- **Port-PCD DetachRuntime Modifications**-For changes that require detaching the Port-PCD connection:
 - FM_PORT_PcdCcModifyTree
 - For these modifications, take the following steps:
 - Detach the port from its PCD resources by calling the Detach PCD routine (FM_PORT_DettachPCD). After this action, the port continues to work enqueueing all frames to the default receive FQID.
 - Call one of the two routines above.
 - reattach port to PCD resources by recalling the set PCD routine (FM_PORT_AttachPCD).
- **Port-PCD Reset Runtime Modifications**-For changes that require resetting of the port-PCD binding. The following steps should be taken for any modification that is not listed under the last two items:
 - Unbind port from its PCD resources by calling the delete PCD routine (FM_PORT_DeletePCD). After this action the port will continue to work, enqueueing all frames to the default receive FQID.
 - Modify PCD resources-optional. The change may be only in the binding of the port and not on the resources. Note that the freeing and deleting of resources, and then allocating and setting resources, must be orderly, in the same manner as for initial PCD setting and final PCD deleting.
 - Bind port to PCD resources by recalling the set PCD routine (FM_PORT_DeletePCD)

All PCD routines listed above may be used for deleting and setting PCD resources. The following two routines below are used if a change of port profiles window is required (Other PORT routines are not needed as binding is done using SetPCD routine.):

- FM_PORT_PcdPlcrFreeProfiles
- FM_PORT_PcdPlcrAllocProfiles

7.2.5.2.9 FMan MAC Driver

The FMan MAC driver module refers to the FMan MAC controller functionalities including configuration and initialization as well as runtime and control.

7.2.5.2.9.1 FMan MAC Hardware Overview

The FMan hardware supports one or two kinds of MAC controllers - depending on SoC. All SoCs support three-speed Ethernet controller (dTSEC) interfaces to 10 Mbit/s, 100 Mbit/s, and 1 Gbit/s Ethernet/IEEE 802.3 networks which interface the media through external phy or SerDes device. Some SoCs also support 10 Gigabit Ethernet media access controller (10GEC) which interfaces to 10 Gbit/s Ethernet/IEEE 802.3ae networks via XAUI using the high-speed SerDes interface.

FMan MAC Software Abstraction

The driver provides a unique API serving both interfaces. If user tries to configure features that are supported only by one of the interfaces, an "unsupported" message will be displayed.

7.2.5.2.9.2 How To Use The FMan MAC Driver?

The following sections provide practical information for using the software drivers.

FMan MAC Driver Scope

This module represents the FMan MAC. It includes:

- FMan MAC hardware structures configuration and enablement
- FMan MAC controller runtime support
- PTP IEEE 1588 support
- MAC hash addressing
- Interrupt handling
- Statistics support

FMan MAC Driver Sequence

- FMan MAC Config routine
- [Optional] FMan MAC advance configuration routines
- FMan MAC Init routine
- FMan MAC runtime routines
- FMan MAC Free routine

FMan MAC Driver Functional Description

The following sections describe main driver functionalities and their usage.

FMan MAC Configuration and Initialization

On FMan MAC driver initialization, the software configures all FMan MAC registers. If required, MAC may be reset at that time. The driver supplies default values where no other values are specified, it defines IRQ's and sets IRQ handles. It enables hardware mechanisms and initializes software data structures for software management.

By the time initialization is done, FMan MAC is ready to be used and the relative FMan Ports may be initialized.

FMan MAC Addressing

On MAC initialization, the user must define a single MAC address. During runtime, the driver provides API for modifying this address and adding other addresses (depending on the specific MAC hardware support).

In addition, the driver supports the addition and removal of addresses to the MAC hash mechanism.

IEEE1588 Support

The driver provides the API to support the hardware IEEE1588 time-stamping. In order to use this feature, the user must first initialize the FM-RTC module. IEEE1588 functionality is always enabled on FM-MAC. Therefore, no additional settings are required for the MAC. and the FM-MAC and only then they can enable this feature by calling `FM_MAC_Enable1588TimeStamp` routine. Once enabled, the user may also set the exception for receiving 1588 relevant interrupts on the MAC.

MAC Statistics

The driver provides statistics gathering support for all the standard (MIB) counters. For some controllers, it is necessary to use an interrupt driven mechanism for accounting for counters overflow and in order to keep track on the accurate counters. This mechanism may have some influence on performance, and therefore the driver supports statistics gathering in 3 levels:

- Full statistics-provides all standard counters but may reduce performance.
- Partial statistics-provides only special event counters (errors and so on.). If selected, regular counters (such as byte/packet) will be invalid and will return -1.
- No statistics gathering.

7.2.5.2.10 FMan VSP Driver

The FMan VSP driver module refers to the software support provided for the Virtual Storage Profile mechanism.

7.2.5.2.10.1 FMan VSP Hardware Overview

VSPs may be used by user for virtualization. If a user is running with a multi-partitioned (or with a multiple software entities) system where a single MAC may be used by several software partitions/entities simultaneously, except for using a different FQID (that is already available in DPAA1.0), user may use a different VSP for each SW partition/entity; that way, the buffer may be private (rather than being shared as in DPAA1.0). It allows the virtualization of the buffer pool selection for frame storage (and other parameters related to storage in external memory) from the physical hardware ports. Using this mechanism, different packets received on the same physical port may be stored in different BM pools based on the frame header, in a similar way to FQID selection. VSPs are replacing the legacy, "physical", per-port BM Pool selection. A backward compatible mode exists and it is possible to use the original BM Pool selection, now referred to as "Physical SP".

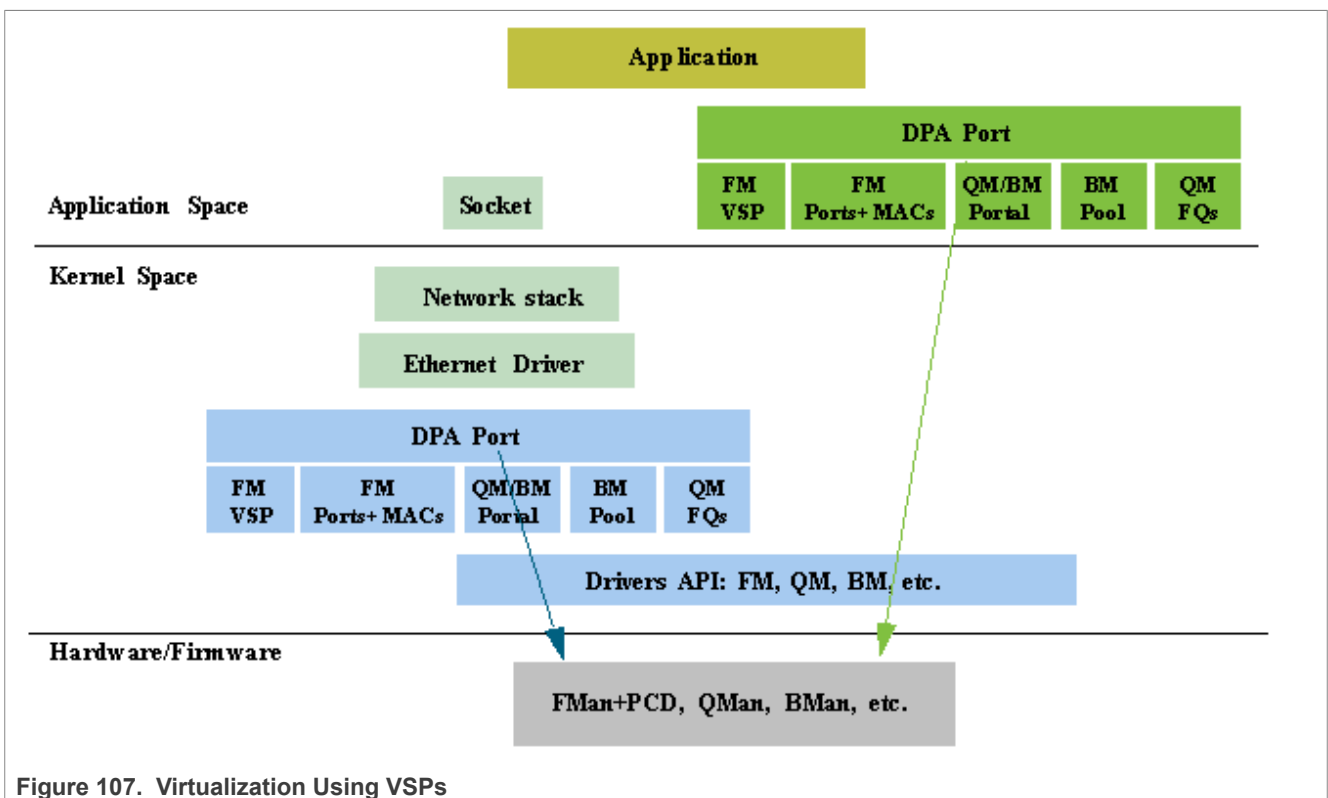


Figure 107. Virtualization Using VSPs

The global FMan module is in charge of the Virtual Storage Profiles entries management. On FMan initialization, the first VSP index dedicated to this partition must be defined (it should be an absolute index), and so is the total number of VSP's for this partition. Later, for each port using VSP's, a window of entries should be defined. VSPs may not be shared among FMan ports.

Each port has a default VSP. On each PCD classification, a VSP may be selected. Received packets will be written into the destination buffer according to the VSP parameters, while the VSP is selected according to the frame headers and the PCD configuration.

The VSP is implemented by the driver as separate entity, however, other modules of the FM driver are aware of this entity and interact with it. An FM VSP module represents a single storage profile.

The global FMan module is in charge of the Virtual Storage Profiles entries management. On FMan port initialization, if using VSP mode, it should allocate and bind to a range of VSP's. On the PCD, A decision is being taken by user on every node of the PCD graph whether to continue to work with previously defined VSP or to override with a new profile.

7.2.5.2.10.2 How To Use The FMan VSP Driver?

The VSP is implemented by the driver as separate entity, however, other modules of the FM driver are aware of this entity and interact with it. An FM VSP module represents a single storage profile.

The global FMan module is in charge of the Virtual Storage Profiles entries management. On FMan port initialization, if using VSP mode, it should allocate and bind to a range of VSP's. On the PCD, A decision is being taken by user on every node of the PCD graph whether to continue to work with previously defined VSP or to override with a new profile.

FMan VSP Driver Scope

This module represents the FMan VSP driver. It includes:

- FMan VSP hardware structures configuration and enablement
- Parsing of the buffer
- Statistics

FMan VSP Driver Sequence

This sequence includes other modules required for the VSP

- Definition of general VSP parameters on global FMan initialization
- FM Port initialization
- FM Port VSP window allocation
- FM Port enablement
- FMan VSP Config routine (for specific VSP's)
- [Optional] FMan VSP advance configuration routines (for specific VSP's)
- FMan VSP Init routine (for specific VSP's)

FMan VSP Driver Functional Description

The following sections describe main driver functionalities and their usage.

Virtual Storage Profile Initialization

The VSP's must be initialized prior to their usage. It is user's responsibility to initialize at least the default VSP for each port before enabling it. Similarly, it is their responsibility to initialize all other VSPs before a classification that may use some VSP is enabled.

Initializing a VSP defines the destination BM Pool buffer for a specific type of packets. It also defines the structure of the buffer - that is, the data offset, the prefix content, and so on.

Virtual Storage Profile Parsing

On VSP initialization, the user defines the buffer prefix content. Based on these requirements, the driver then defines the buffer prefix structure, that is, data offset, whether certain information such as parse result should be copied to the external buffer and where it will be located. On buffer reception, the user may call VSP routines in order to get the data, as well as the buffer prefix sections such as parse result, timestamp, or Keygen output.

7.2.5.2.11 FMan RTC (IEEE 1588) Driver

The FMan RTC driver module refers to the software support provided for the IEEE 1588 hardware of the FMan.

Note: *The generic Freescale QorIQ 1588 timer as PTP clock kernel driver is the recommended method to configure the 1588 timer. This driver is enabled by default by the PTP_1588_CLOCK_QORIQ kernel config. The FSL_DPAA_1588 and FSL_SDK_FMAN_RTC_API drivers are present for maintaining backwards compatibility.*

7.2.5.2.11.1 FMan RTC Hardware Overview

The 1588 timer module interfaces to up to four 10/100/1000 or one 10G Ethernet MACs, providing current time, 2 alarms, and 2 fiber periodic pulse generators.

7.2.5.2.11.2 How To Use The RTC Driver?

The following sections provide practical information for using the software drivers.

RTC Driver Scope

This module represents the FMan 1588 driver. It includes:

- IEEE 1588 hardware configuration and enablement
- Support for alarm mechanism
- Support for periodic pulse
- Support for external trigger
- Runtime compensation tuning
- Interrupt handling

RTC Driver Sequence

- FMan RTC Config routine
- [Optional] FMan RTC advance configuration routines
- FMan RTC Init routine
- FMan RTC Enable routine
- FMan RTC runtime routines
- FMan RTC Free routine

RTC Driver Functional Description

The following sections describe main driver functionalities and their usage.

FMan RTC 1588 module utilization

The driver API provides interface to the 1588 hardware module. It initializes its registers to define the clock period and it supports the definition of the alarms and periodic pulses. Note that When setting periodic pulse, the RTC module must be disabled.

Utilizing IEEE1588 for MAC frames time stamping

Several FMan driver modules are involved in having the 1588 time stamping functionality activated: FMan-RTC, FMan-MAC, FMan-Port and FMan-PCD.

The initialization sequence is as described below:

After the Frame Manager is initialized, the FMan-RTC needs to be initialized by calling (with the appropriate parameters):

- `FM_RTC_Config`
- `FM_RTC_Init`

Next, the following routine should be called, only after MAC is initialized.

- `FM_MAC_Enable1588TimeStamp`

From this point and on all the Ethernet frames on this MAC are time-stamped. In order to obtain the timestamp, during the FMan Port configuration, the user must call the advance config routine:

- `FM_PORT_ConfigBufferPrefixContent` (with 'passTimeStamp' parameter set).

At runtime, for each received/confirmed frame, the user should call the following routine, passing it the frame's data pointer:

- `FM_PORT_GetBufferTimeStamp`

The routine will return the pointer to the timestamp.

Utilizing IEEE1588 for PTP

The sequence described in the previous section causes all the frames that are being received or transmitted by FMan to be time-stamped. However, if the user wants to distinguish PTP frames from other frames on a specific port, PCD rules need to be applied on the PCD graph for this port; i.e using the parser to recognize the PTP frame and then using an appropriate scheme to distinguish PTP frames and route them to the desired destination queues.

7.2.5.2.12 FMan MURAM Driver

The FMan MURAM driver module refers to the memory management of the FMan Multiuser RAM.

7.2.5.2.12.1 FMan MURAM Hardware Overview

The MURAM is the internal memory of the FMan.

FMan MURAM Driver Software Abstraction

The FMan MURAM driver is a memory manager that allows partitioning of the MURAM. Upon initialization the user receives a handle that may be used by other modules in order to allocate and de-allocate memory blocks out of that MURAM partition.

7.2.5.2.12.2 How To Use The FMan MURAM Driver?

The following sections provide practical information for using the software drivers.

FMan MURAM Driver Scope

This module manages the FMan MURAM. It includes MURAM allocation and de-allocation of different sizes of required memory blocks.

FMan MURAM Driver Sequence

- FMan MURAM config and init routine
- FMan MURAM allot and free runtime routines
- FMan MURAM free routine

FMan MURAM Driver Functional Description

The FMan MURAM drivers support MURAM memory blocks allocation and de-allocation. After initializing an MURAM partition, the user is normally required to pass its handle to other FMan driver modules. In this way, these modules may allocate and de-allocate memory blocks from this partition.

7.2.5.2.13 Supported Network Protocols

The following sections show the protocols that may be selected when defining NetEnv characteristics.

7.2.5.2.13.1 L2 Protocols

The following list shows the L2 protocols:

- `HEADER_TYPE_ETH`, with the following two options
 - `ETH_BROADCAST`
 - `ETH_MULTICAST`
- `HEADER_TYPE_VLAN`, with the following option
 - `VLAN_STACKED`
- `HEADER_TYPE_MPLS`, with the following option
 - `MPLS_STACKED`
- `HEADER_TYPE_PPPOE`
- `HEADER_TYPE_LLC_SNAP`

7.2.5.2.13.2 L3 Protocols

The following list shows the L3 protocols:

- `HEADER_TYPE_IPV4`, with the following options
 - `IPV4_BROADCAST_1`
 - `IPV4_MULTICAST_1`
 - `IPV4_UNICAST_2`

- IPV4_MULTICAST_BROADCAST_2
- IPV4_FRAG_1
- HEADER_TYPE_IPV6, with the following options
 - IPV6_MULTICAST_1
 - IPV6_UNICAST_2
 - IPV6_MULTICAST_2
 - IPV6_FRAG_1
- HEADER_TYPE_GRE
- HEADER_TYPE_MINENCAP
- HEADER_TYPE_USER_DEFINED_L3

7.2.5.2.13.3 L4 Protocols

The following list shows the L4 protocols:

- HEADER_TYPE_TCP
- HEADER_TYPE_UDP
- HEADER_TYPE_SCTP
- HEADER_TYPE_DCCP
- HEADER_TYPE_IPSEC_AH
- HEADER_TYPE_IPSEC_ESP
- HEADER_TYPE_USER_DEFINED_L4

7.2.5.2.13.4 Private Headers

- HEADER_TYPE_USER_DEFINED_SHIM1
- HEADER_TYPE_USER_DEFINED_SHIM2

7.2.5.2.13.5 Fields Supported By Driver for Keygen Extraction

Fields supported as "full fields":

- HEADER_TYPE_ETH
 - NET_HEADER_FIELD_ETH_DA
 - NET_HEADER_FIELD_ETH_SA
 - NET_HEADER_FIELD_ETH_TYPE
- HEADER_TYPE_LLC_SNAP
 - NET_HEADER_FIELD_LLC_SNAP_TYPE
- HEADER_TYPE_VLAN
 - NET_HEADER_FIELD_VLAN_TCI
(index may apply:
 - e_FM_PCD_HDR_INDEX_NONE/e_FM_PCD_HDR_INDEX_1,
 - e_FM_PCD_HDR_INDEX_LAST)
- HEADER_TYPE_MPLS
 - NET_HEADER_FIELD_MPLS_LABEL_STACK
(index may apply:
 - e_FM_PCD_HDR_INDEX_NONE/e_FM_PCD_HDR_INDEX_1,
 - e_FM_PCD_HDR_INDEX_2,

- e_FM_PCD_HDR_INDEX_LAST)
- HEADER_TYPE_IPv4
 - NET_HEADER_FIELD_IPv4_SRC_IP
 - NET_HEADER_FIELD_IPv4_DST_IP
 - NET_HEADER_FIELD_IPv4_PROTO
 - NET_HEADER_FIELD_IPv4_TOS
 - (index may apply:
 - e_FM_PCD_HDR_INDEX_NONE/e_FM_PCD_HDR_INDEX_1,
 - e_FM_PCD_HDR_INDEX_2/e_FM_PCD_HDR_INDEX_LAST)
- HEADER_TYPE_IPv6
 - NET_HEADER_FIELD_IPv6_SRC_IP
 - NET_HEADER_FIELD_IPv6_DST_IP
 - NET_HEADER_FIELD_IPv6_NEXT_HDR
 - NET_HEADER_FIELD_IPv6_VER | NET_HEADER_FIELD_IPv6_FL | NET_HEADER_FIELD_IPv6_TC
(must come together!)
 - (index may apply:
 - e_FM_PCD_HDR_INDEX_NONE/e_FM_PCD_HDR_INDEX_1,
 - e_FM_PCD_HDR_INDEX_2/e_FM_PCD_HDR_INDEX_LAST)

Note: *NET_HEADER_FIELD_IPv6_NEXT_HDR with e_FM_PCD_HDR_INDEX_LAST indication, applies to the very last next header indication, meaning the next L4, which may be present at the Ipv6 last extension. On earlier revisions this field applies to the Next-Header field of the main IPv6 header)*

- HEADER_TYPE_IP
 - NET_HEADER_FIELD_IP_PROTO
 - (index may apply:
 - e_FM_PCD_HDR_INDEX_LAST)
 - NET_HEADER_FIELD_IP_DCSP
 - (index may apply:
 - e_FM_PCD_HDR_INDEX_NONE/e_FM_PCD_HDR_INDEX_1)
- HEADER_TYPE_GRE
 - NET_HEADER_FIELD_GRE_TYPE
- HEADER_TYPE_ETH
 - NET_HEADER_FIELD_ETH_DA
 - NET_HEADER_FIELD_ETH_SA
 - NET_HEADER_FIELD_ETH_TYPE
- HEADER_TYPE_MINENCAP
 - NET_HEADER_FIELD_MINENCAP_SRC_IP
 - NET_HEADER_FIELD_MINENCAP_DST_IP
 - NET_HEADER_FIELD_MINENCAP_TYPE
- HEADER_TYPE_TCP
 - NET_HEADER_FIELD_TCP_PORT_SRC
 - NET_HEADER_FIELD_TCP_PORT_DST
 - NET_HEADER_FIELD_TCP_FLAGS
- HEADER_TYPE_UDP
 - NET_HEADER_FIELD_UDP_PORT_SRC
 - NET_HEADER_FIELD_UDP_PORT_DST
- HEADER_TYPE_UDP_LITE (relevant only if FM_CAPWAP_SUPPORT define)
 - NET_HEADER_FIELD_UDP_LITE_PORT_SRC

- NET_HEADER_FIELD_UDP_LITE_PORT_DST
- HEADER_TYPE_IPSEC_AH
 - NET_HEADER_FIELD_IPSEC_AH_SPI
 - NET_HEADER_FIELD_IPSEC_AH_NH
- HEADER_TYPE_IPSEC_ESP
 - NET_HEADER_FIELD_IPSEC_ESP_SPI
- HEADER_TYPE_SCTP
 - NET_HEADER_FIELD_SCTP_PORT_SRC
 - NET_HEADER_FIELD_SCTP_PORT_DST
- HEADER_TYPE_DCCP
 - NET_HEADER_FIELD_DCCP_PORT_SRC
 - NET_HEADER_FIELD_DCCP_PORT_DST
- HEADER_TYPE_PPPOE
 - NET_HEADER_FIELD_PPPOE_PID
 - NET_HEADER_FIELD_PPPOE_SID

Fields supported as "from fields":

- HEADER_TYPE_ETH (with or without validation):
 - NET_HEADER_FIELD_ETH_TYPE
- HEADER_TYPE_VLAN (with or without validation):
 - NET_HEADER_FIELD_VLAN_TCI
 - (index may apply:
 - e_FM_PCD_HDR_INDEX_NONE/e_FM_PCD_HDR_INDEX_1,
 - e_FM_PCD_HDR_INDEX_LAST)
- HEADER_TYPE_IPv4 (without validation):
 - NET_HEADER_FIELD_IPv4_PROTO
 - (index may apply:
 - e_FM_PCD_HDR_INDEX_NONE/e_FM_PCD_HDR_INDEX_1,
 - e_FM_PCD_HDR_INDEX_2/e_FM_PCD_HDR_INDEX_LAST)
- HEADER_TYPE_IPv6 (without validation):
 - NET_HEADER_FIELD_IPv6_NEXT_HDR
 - (index may apply:
 - e_FM_PCD_HDR_INDEX_NONE/e_FM_PCD_HDR_INDEX_1,
 - e_FM_PCD_HDR_INDEX_2/e_FM_PCD_HDR_INDEX_LAST)

7.2.6 Frame Manager Configuration Tool User's Guide

7.2.6.1 Introduction

The Frame Manager (FMan) is part of NXP's Data Path Acceleration Architecture (DPAA), a set of logical blocks that lets multiple processors (cores) interact with multiple network interfaces and accelerators with low software overhead.

The Frame Manager Configuration Tool (FMC Tool) is a command-line program that converts Parse-Classify-Police-Distribute (PCD) descriptions of network packet flows into hardware configuration code for the FMan's KeyGen, Controller, and Policer functions.

The tool provides an abstraction layer: You define your application's PCD requirements in a high-level, XML markup language (NetPDL with NXP extensions). The tool translates these definitions into code that

initializes the FMan's registers and data structures. This abstraction makes learning low-level hardware details unnecessary, allows new users to be productive more quickly, and simplifies the programming task for everyone.

7.2.6.2 FMC Tool Features

The FMC Tool can analyze input NetPDL and NetPCD XML files that define the parse, classify, police, and distribute behavior your application requires. The tool can then:

- Passes this information directly to the FMan by calling the appropriate FMan driver API functions. (See [Section 7.2.6.4.](#))
- Generate C source files containing this information that you can include in your application. (See [Section 7.2.6.5.](#))

In more detail, the FMC Tool can perform the tasks listed below. The particular actions taken depend upon your application's requirements.

- Define the protocol stack
- Define a soft header examination sequence
- Configure the Policer sub block
- Configure frame distribution by defining how frames are assigned to particular frame queues
- Call hardware drivers to execute the current configuration
- Directly configure the FMan by executing on a target running embedded Linux (See [Section 7.2.6.4.](#))
- Indirectly configure the FMan by executing on a Linux or Windows host by generating C source code that configures the FMan. You include this code in your application. (See [Section 7.2.6.5.](#))

7.2.6.3 FMC Tool Components and Packaging

The FMC Tool package contains these files:

- Host version of FMC Tool for desktop versions of Linux and Windows
- FMC Tool application for embedded Linux
- NetPDL file containing a description of each standard network protocol that the FMan's Hard Parser supports. This file is named `hxs_pdl_v3.xml` and is in the directory `/etc/fmc/config/`.

Note: For detailed information on NetPDL, go to <http://ftp.tuwien.ac.at/~vhost/analyzer.polito.it/30alpha/docs/dissectors/NetPDLCore.htm>.

For documentation of NXP's customized version of NetPDL, see [Section 7.2.6.11](#).

7.2.6.4 FMC Tool - Runtime Environment Mode

In runtime environment mode, you run the FMC Tool on a target board from the Linux command line, passing several configuration files as arguments. The tool then calls the FMan Driver API functions required to configure the FMan block as specified in the supplied files.

When used in this way, the FMC Tool *directly* configures the FMan. In more detail, the FMC Tool passes the configuration it finds in its input files (along with compiled Soft Parser firmware) to the FMan driver which, in turn, modifies the FMan's configuration.

Note: The FMC Tool does *not* support dynamic FMan configuration; you can use the tool to configure the FMan just once, typically at application initialization.

As [Figure 108](#) shows you pass these files to the FMC Tool as command-line arguments:

- Standard Protocol file - Optional; included in Layerscape LDP; see [Section 7.2.6.8.1](#) for more information.
- Custom Protocol file - Optional; user written; see [Section 7.2.6.8.2](#) for more information.

- Policy file - Required; user written; see [Section 7.2.6.9](#) for more information.
- Configuration file - Required; user written; see [Section 7.2.6.10](#) for more information.

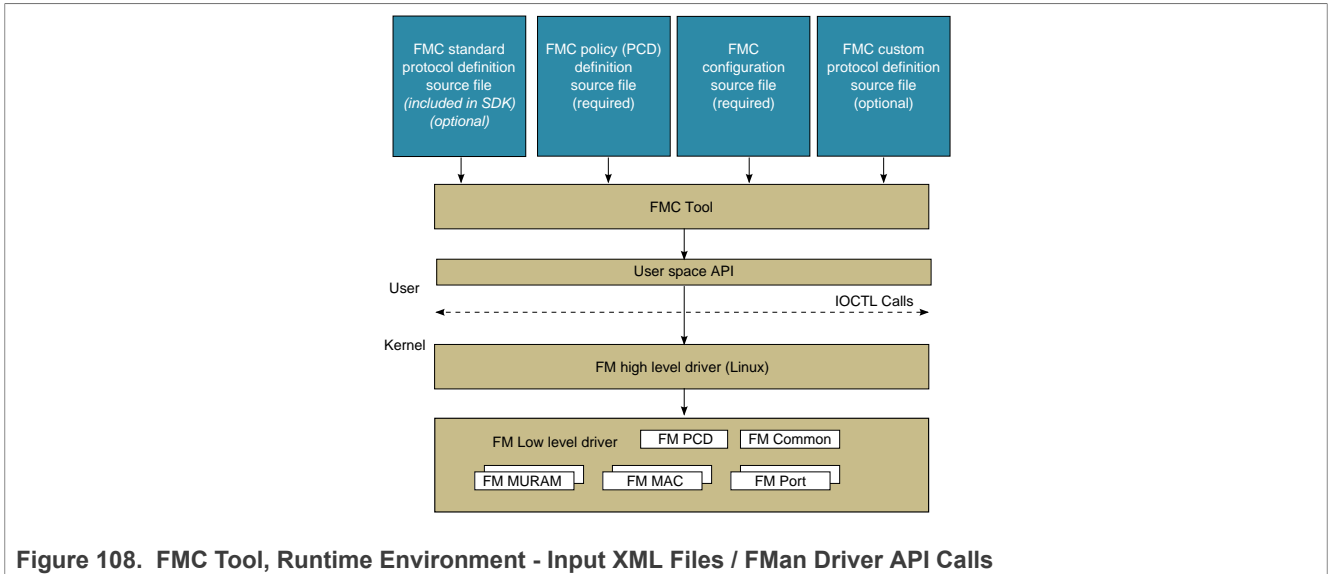


Figure 108. FMC Tool, Runtime Environment - Input XML Files / FMan Driver API Calls

See [Section 7.2.6.6](#) for documentation of each of the tool's command-line arguments.

Note: You should configure the FMan before you enable your Rx/Tx ports to send/receive traffic. If you do not, the FMan uses the default Rx and default Tx frame queues.

7.2.6.5 FMC Tool - Host Mode

In addition to running on a target board, the FMC Tool can execute on a host computer running Linux or Windows. When run on a host, the FMC Tool accepts the same input files as in runtime environment mode.

However, in host mode, the FMC Tool generates C source code files. This code calls the FMan driver functions required to implement the rules defined in the supplied input files. You can compile and link these files to produce a standalone executable that you can run by itself, or you can add them to your application.

Note: The FMC Tool does not support dynamic FMan configuration; you can use the tool to configure the FMan just once, typically at application initialization.

As [Figure 109](#) shows, in host mode, the FMC Tool generates C source code files from the input files listed below. (See [Section 7.2.6.5.1](#) for more information.)

- Standard Protocol File - Optional; included in Layerscape LDP; see [Section 7.2.6.8.1](#) for more information.
- Custom Protocol File - Optional; user written; see [Section 7.2.6.8.2](#) for more information.
- Policy File - Required; user written; see [Section 7.2.6.9](#) for more information.
- Configuration File - Required; user written; see [Section 7.2.6.10](#) for more information.

You pass these files to the FMC Tool as command-line arguments.

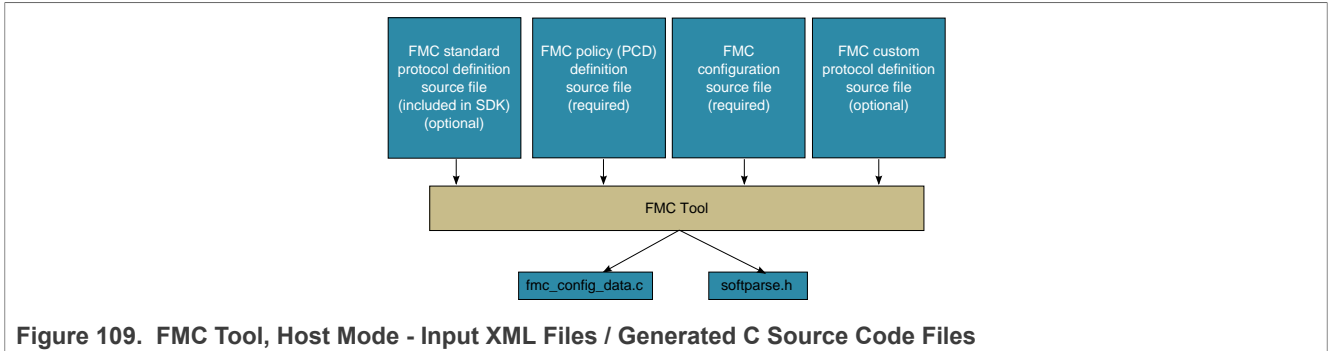


Figure 109. FMC Tool, Host Mode - Input XML Files / Generated C Source Code Files

See [Section 7.2.6.6](#) for documentation of each of the tool's command-line arguments.

7.2.6.5.1 Host Mode Output - C Source Code Files

When run in host mode, the FMC Tool generates C language source code files that make calls to FMan Driver API functions. These calls implement the behavior defined in the Configuration file, Policy file, and (optionally) Custom Protocol file passed to the tool from the command line. Typically, you include these source files in your project, so they are compiled and linked into your application binary. As a result, when you run your application, it automatically sets up the FMan to behave as required.

In more detail:

- When you supply a Policy file and a Configuration file, the tool generates a single source code file named "fmc_config_data.c".
- When you supply a Policy file, a Configuration file, *and* a Custom Protocol file, the tool generates two source code files: "fmc_config_data.c" and "softparse.h".

Contents of fmc_config_data.c

- #include software parser configuration "softparse.h" at the top of the file
- Initialization of FMC model structure 'fmc_model_t' with configuration data - This structure represents the data model for FMan hardware configuration according to input files

Using fmc_config_data.c

- FMC model structure must be used together with FMC model definition and FMC executer: 'fmc.h' and 'fmc_exec.c' files - These files are available in FMC source files location
- FMC model definition contains 'fmc_model' structure definition - This structure represents the FMC configuration model
- FMC executer contains 'fmc_execute' routine - This function configures the FMan hardware to behave as specified in the input files

Usage options:

- Compile and link these files together ('fmc_config_data.c', 'fmc.h', 'fmc_exec.c') and generate a standalone binary and run this binary to configure the FMan - In this case, you must add a main() function that calls fmc_execute()
- Have your application call fmc_execute() - In this case, you don't need to add a main() function

Contents of softparse.h

- Contains compiled firmware that controls the FMan sub blocks involved in parsing a custom protocol header
- Defines parameters such as code size, protocol to attach, and download base address

Using softparse.h - Automatically included in fmc_config.c if you pass the FMC Tool a Custom Protocol file

Note: You should configure the FMan before you enable your Rx/Tx ports to send/receive traffic. If you do not, the FMan uses the default Rx and default Tx frame queues.

7.2.6.6 FMC Tool Command-Line Arguments

The table below lists and describes the FMC Tool's command-line arguments.

Table 66. FMC Tool Command-Line Arguments

Command-Line Argument Syntax (Both the verbose and abbreviated command forms are shown)	Description
-d <pdl_file>, --pdl <pdl_file>	Path to and name of the Standard Protocol file. (Optional) You can use a full path or a relative path. See Section 7.2.6.8.1 for more information.
-p <pcd_file>, --pcd <pcd_file>	Path to and name of a Policy file. (Required unless '--sp_only' is used) You can use a full path or a relative path. See Section 7.2.6.9 for more information.
-c <data_file>, --config <data_file>	Path to and name of the Configuration file. (Required unless '--sp_only' is used) You can use a full path or a relative path. See Section 7.2.6.10 for more information.
-s <custom_protocol_file>, --custom_protocol <custom_protocol_file>	Path to and name of the Custom Protocol file. (Optional unless the '--sp_only' flag is used, in which case, this Custom Protocol filename is required.) You can use a full path or a relative path. See Section 7.2.6.8.2 for more information.
-a, --apply	Apply the supplied configuration to the FMan rather than generating C source code. (Optional; valid only when FMC Tool is executed in runtime environment)
--sp_only	Perform Soft Parser processing only. When this argument is supplied, the FMC Tool compiles just the Custom Protocol file, generates the file softparse.h, and exits. The file softparse.h contains C source code and custom protocol offsets. The tool creates softparse.h in the path from which the FMC Tool was executed. (Optional)
-w	Do not report warnings. (Optional)
--version	Display version information, then exit. (Optional)
-h, --help	Display usage information, then exit. (Optional)

7.2.6.7 The NetPDL and NetPCD XML Markup Languages

The Network Protocol Description Language (NetPDL) is an XML dialect that defines elements for describing protocols from OSI layer 2 to OSI layer 7. (For more information on NetPDL, see <http://ftp.tuwien.ac.at/vhost/analyzer.polito.it/30alpha/docs/dissectors/NetPDLCore.htm>).

NXP uses NetPDL to define the standard protocols that are parsed by the FMan's Hard Parser. You cannot change these protocol descriptions. However, the SDK includes a Standard Protocol file that you can use as a reference.

In addition, you can use NetPDL (with slight semantic and syntactic differences) to define custom protocols that are parsed by the FMan's Soft Parser. This feature allows the FMan to handle any protocol that exists or that you define yourself.

Finally, NXP has extended NetPDL to create a language called NetPCD. You use the elements and attributes of NetPCD to define FMan parse, classify, police, and distribute behavior. The processing therefore defined determines how frames move from block to block of the FMan.

The FMC Tool accepts files in NetPCD and NetPDL format as input.

7.2.6.8 Protocol files

For a protocol to be recognized by the FMC Tool, the protocol must be defined in one of two ways.

1. As a standard protocol within the Standard Protocol file (included in the SDK)
2. As a custom protocol within the Custom Protocol file.

Each file type is described in the sections that follow.

7.2.6.8.1 Standard Protocol File

The Layerscape LDP includes a file called the Standard Protocol file. This file contains NetPDL (Network Protocol Description Language) markup that defines the fields in each standard protocol header that the FMan's Hard Parser can handle. In addition, for each standard protocol, the file includes NetPDL statements that define actions for the Hard Parser to take upon encountering an inbound instance of this protocol.

The Standard Protocol file is for the FMan's internal use only; you must therefore not change it. However, to write a Custom Protocol file and/or a Policy file, you sometimes need information the Standard Protocol file contains, such as the names of fields in a protocol's header.

For this reason, the SDK includes a copy of the Standard Protocol file in this directory: `/etc/fmc/config/hxs_pdl_v3.xml`.

The general structure of an FMC Standard Protocol XML file is shown below.

```
<netpdl>
  <protocol> <!-- one or more -->
    <format> <!-- only one -->
      <fields> <!-- only one -->
        <field/> <!-- one or more -->
      </fields>
    </format>
    <execute-code>
  </execute-code>
  <encapsulation>
  </encapsulation>
  <visualization>
  </visualization>
</protocol>
```

```
</netpdl>
```

See the [Section 7.2.6.13](#) topic to see a larger portion of the Standard Protocol file.

7.2.6.8.2 Custom Protocol File

The FMan's Hard Parser has built-in capability to handle a set of widely used, standard protocols, such as IPv4. The FMan also has a Soft Parser, which has the ability to process custom protocols.

Of course, for the Soft Parser to recognize a custom protocol, you must first provide a definition of this protocol. To do this, you create a Custom Protocol file, which consists of NetPDL markup that defines the fields in a custom protocol's header along with the actions you want the Soft Parser to take upon these fields. You then pass this file to the FMC Tool, which compiles it and passes the result to the FMan.

Note: Some elements in the NetPDL language are relevant only if used with a protocol analysis tool. The FMC Tool does *not* support these elements; instead, the tool supports only those elements that are applicable to the FMan block. Further, although it is based on NetPDL, the markup for a custom protocol does not strictly follow NetPDL rules. As a result, it is highly recommended that you become familiar with the [Section 7.2.6.11](#) topic, which fully documents the custom version of NetPDL used in custom protocol definitions.

See [Section 7.2.6.14](#), for an example of a custom protocol definition file containing XML that defines the GPRS Tunneling Protocol (GTP).

Note: If your application does not use a custom protocol, you do not have to create a Custom Protocol file. Further, if your application uses *multiple* custom protocols, you can (and must) define them in a single Custom Protocol file; you can pass just one Custom Protocol file to the FMC Tool.

The general structure of a Custom Protocol file is shown below.

```
<netpdl> <!-- only one instance -->
  <protocol> <!-- one or more instances -->
    <format> <!-- only one instance -->
      <fields> <!-- only one instance -->
        <field/> <!-- one or more instances -->
      </fields>
    </format>
    <execute-code> <!-- zero or one instance -->
      <before> <!-- zero or one instance -->
    </before>
      <after> <!-- zero or one instance -->
    </after>
    </execute-code>
  </protocol>
</netpdl>
```

7.2.6.9 Policy file

The policy file defines how each inbound frame is parsed, classified, policed, and distributed by the various FMan sub blocks.

A policy file consists of NetPCD markup, where NetPCD is NXP's extension to NetPDL, an XML markup language for describing networking protocols. The elements and attributes of NetPCD let you define the parse, classification, policing, and distribution behavior your application requires. See [Section 7.2.6.12](#) for documentation of each NetPCD element and its attributes.

A Policy file can have these sections:

- Distribution (required) - Contains one or more distribution definitions, each of which:
 - Specifies the protocol(s) a frame must contain to match the distribution
 - Defines how to handle matching frames
- Policy - (required) - Contains one or more policy definitions, each of which:
 - Is associated with an FMan port
 - Contains a prioritized list of distributions
- Classification (optional) - Contains one or more classification blocks, each of which:
 - Defines key/value/action tuples, which the FMan's Controller sub block stores in a lookup table
 - Compares the specified fields in the current frame header to each value in this table and, upon a match, takes the specified action
- Policer (optional) - Contains up to 256 policer profiles, each of which can be used to:
 - Take action upon frames without regard to traffic flow rate
 - Take action upon frames based on the RFC-2698 two-rate, three-color policing scheme
 - Take action upon frames based on the RFC-4115 two-rate, three-color, differentiated services scheme

Note: When you run the FMC Tool, you must pass it a Policy file or the '--sp_only' flag. Otherwise, the program will exit and print an error message.

Figure 110. High-level Structure of a Policy File

```
<netpcd> <!-- only one instance -->
  <distribution> <!-- one or more instances -->
</distribution>
  <policy> <!-- one or more instances -->
    <dist_order> <!-- one instance -->
      <distributionref/> <!-- one or more instances -->
    </dist_order>
  </policy>
  <classification> <!-- optional, may have more than one instance -->
</classification>
  <policer> <!-- optional, may have more than one instance -->
</policer>
</netpcd>
```

7.2.6.9.1 Distribution Section

The Distribution *section* of the Policy file contains one or more 'distribution' *elements*. While 'distribution' elements can appear anywhere in the Policy file, they often appear at the top of the file.

Typically a 'distribution' contains child elements that define:

- Frame match rules
 - These rules define the conditions an inbound frame must meet to match (and therefore be handled by) this distribution
 - Use the 'protocols' element and/or the 'key' element to define match rules
- Frame handling rules
 - These rules determine what a distribution does with matching frames
 - Use the 'queue' and 'key' elements to hash frames, so they are evenly spread over a range of frame queues
 - Use the 'action' element to pass the frame to another element in the Policy file for further processing

Figure 111. Example Distribution Elements

```
<!-- distribution that matches all frames containing an IPv4 header -->
<!-- hashes these frames, so they are spread evenly over 32 frame queues -->
```

```
<distribution name="hash_ipv4_src_dst_dist0">
  <!-- frame match rule -->
  <key>
    <fieldref name="ipv4.src"/>
    <fieldref name="ipv4.dst"/>
  </key>
  <!-- frame handling rule -->
  <queue count="32" base="0x400"/>
</distribution>
<!-- distribution that matches frames containing Eth/VLAN/IPv4/UDP/GTP headers
-->
<!-- passes all matching frames to the "dl_vlan_clasif" classification element
-->
<distribution name="dl_eth_vlan_ipv4_udp_gtp_dist">
  <!-- frame match rule -->
  <protocols>
    <protocolref name="ethernet"/>
    <protocolref name="vlan"/>
    <protocolref name="ipv4"/>
    <protocolref name="udp"/>
    <!--shiml is custom protocol defined for GTP -->
    <protocolref name="shiml"/>
  </protocols>
  <!-- frame handling rule
  <action type="classification" name="dl_vlan_classif"/>
</distribution>
```

See [Section 7.2.6.12.5](#) for complete documentation of this element.

Evenly Distributing Frames over a Range of Frame Queues

One frequent use of the 'distribution' element is to distribute frames evenly over a range of frame queues. If each available core is configured to pull from the same number of queues in the range, this even spreading balances the work each core must perform.

In this scenario, the FMan's KeyGen sub block uses values in the frame's header and in the child elements of the distribution as inputs to a hash algorithm that generates a 24-bit FQID within a range of FQIDs. The KeyGen sub block then places the frame on the frame queue identified by this FQID.

Here is the KeyGen's algorithm for generating a FQID:

1. Extract and concatenate the protocol header fields specified by the 'key' child element
2. Hash the resulting string to a 64-bit CRC
3. Shift the CRC right by the number of bits specified in the 'shift' attribute of the 'key' element to move the desired bits to the 24 least significant bit positions
4. Zero-extend the bit mask specified by the 'queue' child element ('count' attribute - 1) to 24 bits
5. Bitwise AND the result with the shifted CRC
6. Bitwise OR the result with the value specified by the 'combine' child element - repeat for each 'combine' element
7. Bitwise OR the result to the base FQID specified by the 'base' attribute of the 'queue' child element

[Figure 112](#) shows the algorithm the KeyGen sub block uses to calculate a FQID.

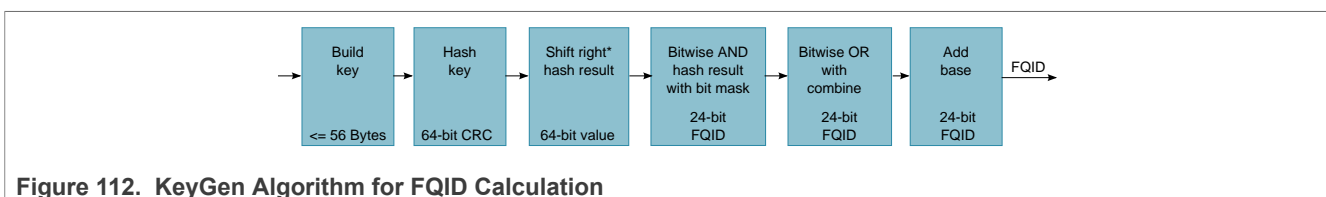


Figure 112. KeyGen Algorithm for FQID Calculation

* The 'key' element has an optional 'shift' attribute whose value defines the number of bits by which the hash result is right shifted. The default value for the shift attribute is zero.

Example KeyGen FQID Calculation

The series of figures that follow shows which child elements and attributes of a distribution block the KeyGen sub block uses in its FQID calculation.

Figure 113 shows where in the KeyGen sub block gets the inputs for the hash, shift right, bitwise AND, and "add base" parts of its FQID calculation.

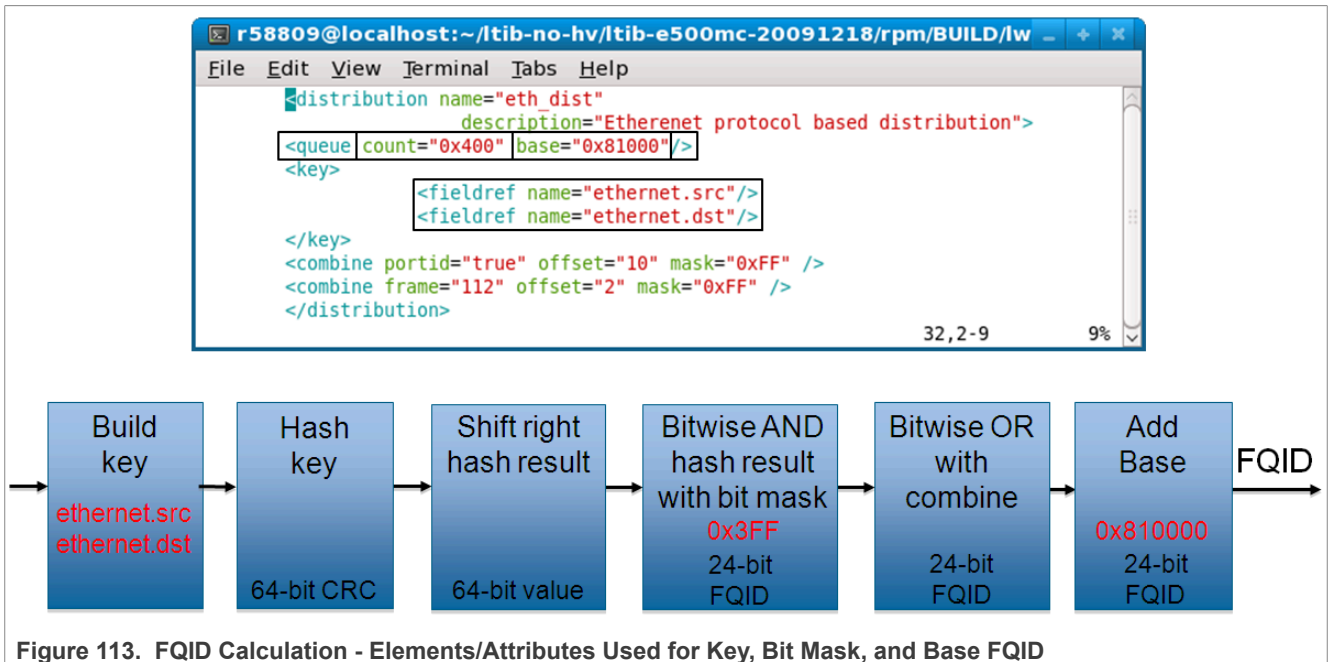


Figure 113. FQID Calculation - Elements/Attributes Used for Key, Bit Mask, and Base FQID

Figure 114 shows a 'combine' element that includes a 'portid' attribute that is set to "true". In addition, the element's 'offset' attribute is "10", and its 'mask' is "0xFF". This markup instructs the KeyGen sub block to perform the "bitwise OR" part of the FQID calculation. In more detail, for this markup, the KeyGen does these things:

- Bitwise ANDs the 8-bit logical port ID (defined in the Configuration file) of the port on which the current frame arrived with the 8-bit mask in the 'combine' element.
- Bitwise ORs (inserts) the 8-bit result at the specified offset (10 bits) within the 24-bit FQID (where offset 0 signifies the FQID's most significant bit).

Note: Each FMan port can be assigned an 8-bit logical port ID by adding markup to the Configuration file. To do this, assign an 8-bit value to the 'portid' attribute of each 'port' element to which you want to assign a logical port ID. The Hard Parser puts this value (if defined) in the parse results array, where a KeyGen sub block can get it.

```

r58809@localhost:~/Itib-no-hv/Itib-e500mc-20091218/rpm/BUILD/lw
File Edit View Terminal Tabs Help
<distribution name="eth_dist"
    description="Ethernet protocol based distribution">
  <queue count="0x400" base="0x81000"/>
  <key>
    <fieldref name="ethernet.src"/>
    <fieldref name="ethernet.dst"/>
  </key>
  <combine portid="true" offset="10" mask="0xFF" />
  <combine frame="112" offset="2" mask="0xFF" />
</distribution>
32,2-9 9%
    
```

Figure 114. FQID Calculation - A 'combine' Element that Uses the 'portid' Attribute

Figure 115 shows a 'combine' element that includes a 'frame' attribute. This markup instructs the KeyGen sub block to:

- Get the 8 bits at offset 112 in the current frame header.
- Bitwise AND this value with the 8-bit mask (0xFF) specified in the 'combine' element
- Bitwise OR (insert) the 8-bit result at the specified offset within the 24-bit FQID (where offset 0 signifies the FQID's most significant bit).

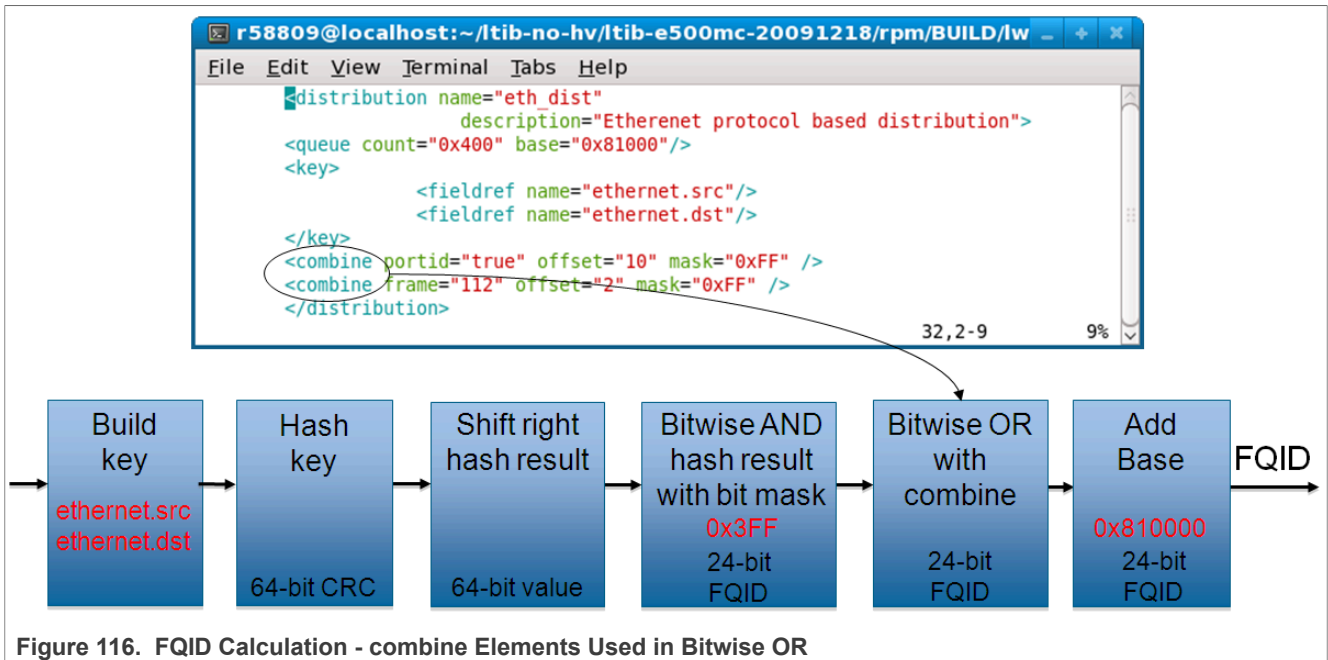
Note: The value of the 'frame' attribute is an offset (in bits) from beginning of the current frame. The KeyGen sub block gets the byte at this offset for its FQID calculation. The value of 'frame' must be divisible by 8, so the bit it references is on a byte boundary.

```

r58809@localhost:~/Itib-no-hv/Itib-e500mc-20091218/rpm/BUILD/lw
File Edit View Terminal Tabs Help
<distribution name="eth_dist"
    description="Ethernet protocol based distribution">
  <queue count="0x400" base="0x81000"/>
  <key>
    <fieldref name="ethernet.src"/>
    <fieldref name="ethernet.dst"/>
  </key>
  <combine portid="true" offset="10" mask="0xFF" />
  <combine frame="112" offset="2" mask="0xFF" />
</distribution>
32,2-9 9%
    
```

Figure 115. FQID Calculation - A 'combine' Element that Uses the 'frame' Attribute

Finally, Figure 116 shows where the KeyGen sub block plugs the values from each of the combine elements into the bitwise OR part of the FQID calculation.



FQID Formula

$$\text{FQID}[0:23] = (\text{Shifted Hash Key}[0:23] \& \text{Hash Mask}) \mid \text{Data0}[0:23] \mid \text{Data1}[0:23] \mid \dots \mid \text{Data7}[0:23] \mid \text{FQID Base Address}$$

In sum, use the child elements/attributes of the 'distribution' element to provide the values on the right side of the FQID equation.

7.2.6.9.2 Policy Section

The Policy *section* of the Policy *file* consists of one or more 'policy' *elements*. While 'policy' elements can appear anywhere in the Policy file, they typically follow the last 'distribution' element in the file.

Each 'policy' element defines a set of *candidate* distributions that the FMan can apply to inbound frames. The particular distribution the FMan applies to a given frame depends on these factors:

- The position of each distribution in the 'policy' element's distribution order list
- The definition of each of these distributions

Candidate distributions are listed in *priority* order. As a result, if two or more distributions in the list match the current inbound frame, the FMan applies the first matching distribution because this distribution has higher priority.

How does the FMan know which policy (that is, which prioritized list of distributions) to apply to the traffic received on a particular Ethernet port? The Configuration file provides the connection.

In a Configuration file, you must enter one 'port' element for each FMan port your application uses. Further, the port element has a required attribute - the 'policy' attribute - whose value must match the name of one of the policy elements in the Policy file, thereby defining the policy (that is, the ordered list of distributions) that the FMan will apply to all traffic received on a port. In sum, the value of a port element's policy attribute in the *Configuration* file ties the port identified by this element to a policy element in the *Policy* file.

In a Configuration file:

- A port can be assigned a single policy

- Multiple ports can be assigned the same policy
- A port can have just one active policy at a time

Typically, you assign one policy to each port your application uses.

Example 1 - Simple Use of the Policy Element

Configuration File

```
<!-- The port element assigns the dl_policy policy to the 10 Gbit/s port of
FMan 0 --> <!-- Policy dl_policy is defined in the Policy file - see next
code snippet --> <cfgdata> <config> <engine name="fm0"> <port type="MAC"
number="9" policy="dl_policy"/>
  </engine>
</config>
</cfgdata>
```

Policy File

```
<!-- A policy element that defines how to apply two distributions -->
<!-- These distributions are defined elsewhere in the Policy file -->
<!-- This policy is assigned to an Ethernet port by the Configuration file above
-->
<policy name="dl_policy">
  <dist_order>
    <distributionref name="dl_eth_vlan_ipv4_udp_gtp_dist"/>
    <distributionref name="garbage_dist"/>
  </dist_order>
</policy>
```

In the example above, the Configuration file assigns the policy named 'dl_policy' to the 10 Gbit/s port of a LS1043A chip's first FMan (fm0). As a result, the FMan first tries to match each frame that arrives on this port to the 'dl_eth_vlan_ipv4_udp_gtp_dist' distribution since it appears first in the 'policy' element's distribution order list. Whether the frame matches depends on the definition of the 'dl_eth_vlan_ipv4_udp_gtp_dist' distribution, which is not shown. If the frame matches, it is handled according to the rules this distribution defines. If the frame does not match, the FMan next compares it to the 'garbage_dist' distribution since it appears second in the distribution order list. Because of this distribution's definition (also not shown), it matches all frames, thereby guaranteeing that every frame is handled in one way or the other.

See [Section 7.2.6.12.2](#) for complete documentation of this element.

Example 2 - More Complex Use of the Policy Element

[Figure 117](#) shows the Policy file from the pktwire application. This application requires a more complex use of policies and distributions than shown in the previous example.

This Policy file defines ten 'policy' elements - pktwr_policy_0, pktwr_policy_1, ... pktwr_policy_9 - some of which are shown in the figure.

A Configuration file (not shown) assigns each of these policies to one of an SoC's ten FMan ports - five on the first FMan (fm0) and five on the second FMan (fm1).

Note: Not all QorIQ devices have two FMans. Nor does every FMan have five Ethernet ports. See the reference manual for your QorIQ device to determine the number of FMans and FMan ports this device supports.

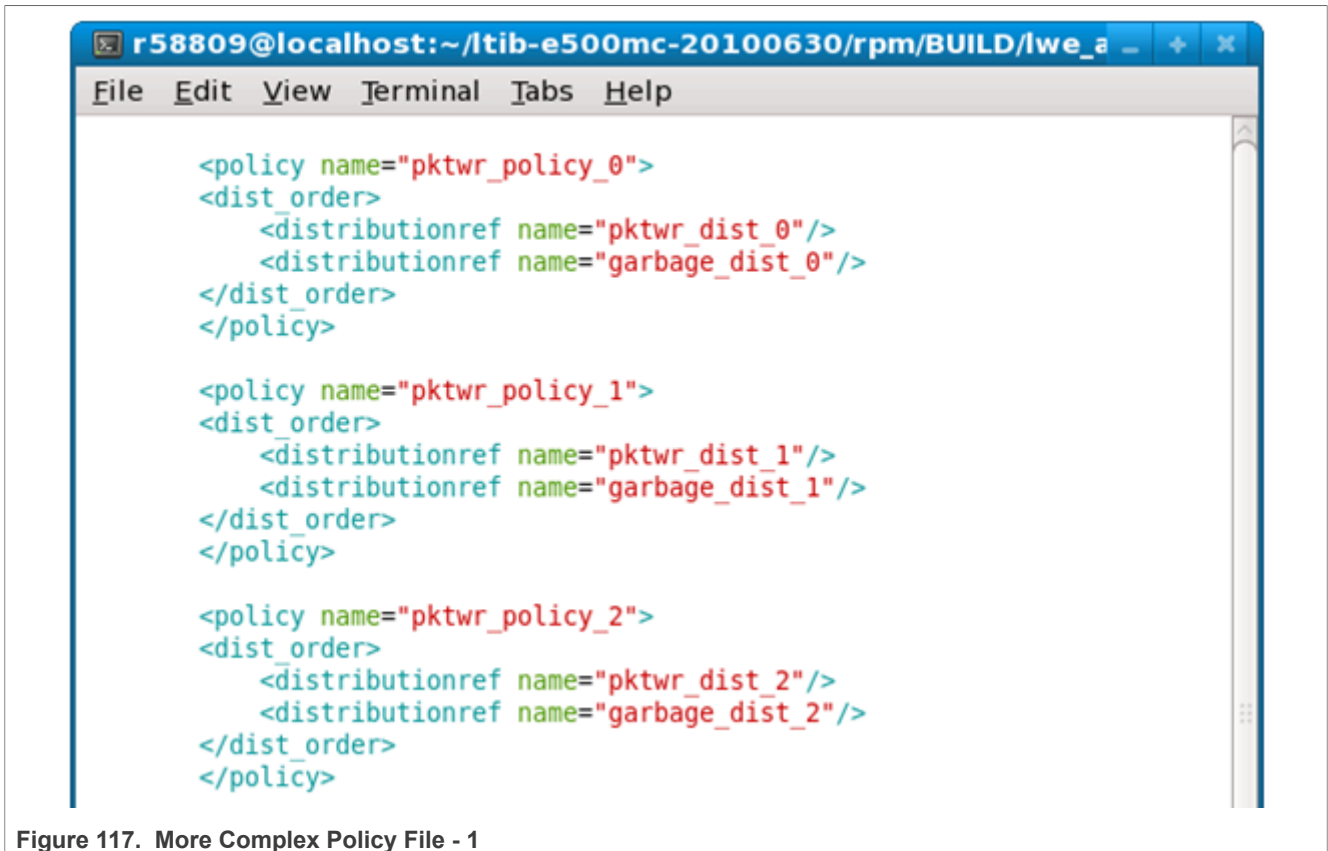


Figure 117. More Complex Policy File - 1

The Policy file also defines ten distributions - pktwr_dist_0, pktwr_dist_1, ... pktwr_dist_9 - some of which are shown in [Figure 118](#).

As mentioned above, each of these distributions is assigned to a policy which, in turn, is assigned to a port. A frame "matches" the distribution assigned to the port on which the frame arrived if its header contains both the ipv4.src and ipv4.dst fields.

For each frame that matches, the KeyGen sub block computes a hash result using the concatenation of the ipv4.src and ipv4.dst fields as the hash key. The KeyGen sub block then uses the hash result to compute a FQID. (See the [Section 7.2.6.9.1](#) topic for detailed coverage of the KeyGen's FQID calculation algorithm.)

The resulting FQID is in the range specified by the 'queue' element. For example, for distribution "pktwr_dist_0", the resulting FQID will be in range 0x2800 – 0x281F.



Figure 118. More Complex Policy File - 2

The Policy file also defines ten distributions - garbage_dist_0, garbage_dist_1, ... garbage_dist_9 - some of which are shown in [Figure 119](#).

Note that these distributions do not have a 'key' element. As a result, all frames “match” these distributions. For 'garbage_dist_0', the resulting FQID is always 0xb1 since the queue element specifies just one frame queue and the base FQID value is 0xb1.

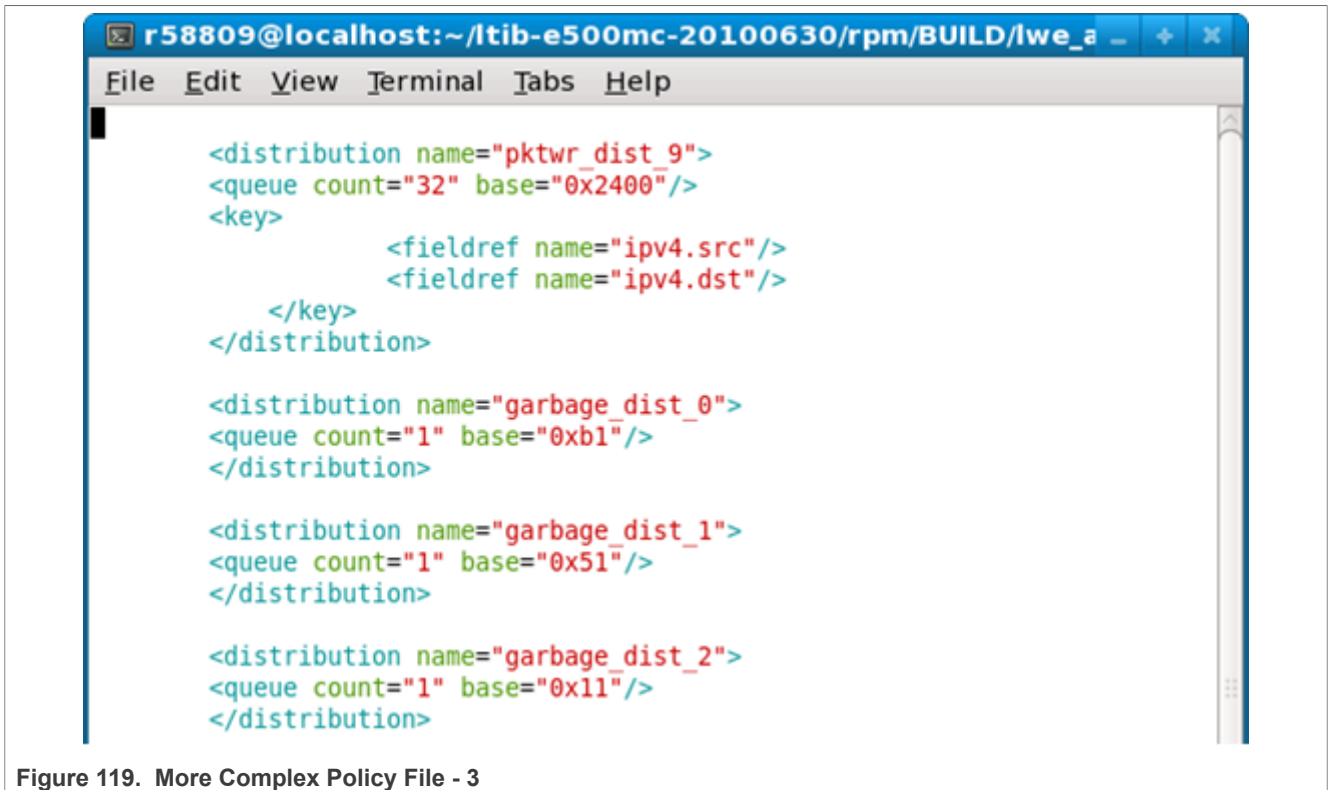


Figure 119. More Complex Policy File - 3

Let's say that an FMan port is tied to policy 'pktwr_policy_1' - highlighted in [Figure 120](#).

This policy instructs the FMan to first attempt to distribute frames arriving on this port using the 'pktwr_dist_1' distribution. If the current frame does not include the ipv4.src and ipv4.dst fields, the policy instructs the FMan to try the next distribution in the policy's distribution order list.

In this example, the next distribution is "garbage_dist_1" which, due to the absence of a 'key' element, matches *all* frames and enqueues them to the single frame queue defined by the 'count' and 'base' attributes of its queue element.

Note: It is common for the last distribution in a distribution order list to be a "catch all", like the default case in a C switch statement; however, this is not a requirement.



Figure 120. More Complex Policy File - 4

7.2.6.9.3 Classification Section

The Classification section of the Policy file is optional. Use it to specify exact match frame classification.

A classification specifies the action to perform on a frame when the values of the specified fields in a frame's protocol header match a predefined value. You can specify as many predefined value/action pairs as desired, as well as a default action.

A classification starts with a 'classification' element, which is a container for these child elements:

- A 'key' element that defines the header fields (in protocol.field form) to use in the exact match operation
- One or more 'entry' elements, each of which defines a value to which the specified fields are compared and a 'queue' and/or 'action' element that defines what to do with the frame upon a match
- An optional 'action' element that defines the default action to take if none of the exact match conditions are met

The FMC Tool uses the information in these child elements to populate the FMan Controller's rules table. At runtime, the Controller uses this information to extract the specified fields from the specified protocol header, compare these fields to the specified values and, upon a match, take the specified action.

See [Section 7.2.6.12.12](#) for complete documentation of this element.

Example

The example below shows a Policy file containing a 'classification' element.

The 'policy' element named 'policy_0' lists two distributions to try, 'udp_dist' and 'non_udp_dist'.

Note: For a classification block to be applied to a frame, the frame must first match a distribution that transfers control to this classification via an 'action' element. In other words, the "source engine" of the Classifier is always a 'distribution' element.

The 'udp_classif' classification element specifies an exact-match lookup on the ipv4.dst field. If this field's value is:

- 0xC0A81402, the frame is placed on the queue whose FQID is 0x200
- 0xC0A81404, the frame is placed on the queue whose FQID is 0x400

- 0xC0A81406, the frame is placed on the queue whose FQID is 0x600
- 0xC0A81408, the frame is placed on the queue whose FQID is 0x800

Otherwise, the 'action' element passes the frame to the 'unknown_dist' distribution for handling.

```
description="Course Classification configuration">
<policy name="policy_0">
  <dist_order>
    <distributionref name="udp_dist"/>
    <distributionref name="non_udp_dist"/>
  </dist_order>
</policy>
<distribution name="udp_dist">
  <protocols>
    <protocolref name="udp"/>
  </protocols>
  <action type="classified" name="udp_classif"/>
</distribution>
<classification name="udp_classif">
  <key>
    <fieldref name="ipv4.dst">
  </key>
  <entry>
    <data>0xC0A81402</data>
    <queue base="0x200"/>
  </entry>
  <entry>
    <data>0xC0A81404</data>
    <queue base="0x400"/>
  </entry>
  <entry>
    <data>0xC0A81406</data>
    <queue base="0x600"/>
  </entry>
  <entry>
    <data>0xC0A81408</data>
    <queue base="0x800"/>
  </entry>
  <action type="distribution" condition="on-miss" name="unknown_dist"/>
</classification>
"cc_policy.xml" 108 lines --61%--
```

7.2.6.9.4 Policer Section

The Policer section of the Policy file is optional.

If used, the section consists of up to 256 policer profiles. Each profile starts with a 'policer' element, which is a container for various child elements with which you implement a particular policing behavior.

Each profile works in one of these modes:

- Pass-through – Policer performs no traffic metering
- RFC-2698 - Policer employs a two-rate, three-color marker scheme
- RFC-4115 - Policer employs a differentiated service, two-rate, three-color marker scheme that efficiently handles in-profile traffic

Each of these modes can be configured to be color-aware or color-blind.

For RFC-2698 and RFC-4115 modes, you must specify these values:

- unit, the unit to be used for the following numeric parameters. Valid values for unit are "packet" and "byte."
- CIR, Committed Information Rate⁴
- CBS, Committed Burst Size⁵
- PIR, Peak Information Rate⁶
- PBS, Peak Burst Size⁷

In all three modes, you can specify the next invoked action (NIA) for each color result (drop the frame, proceed to the specified distribution, and so on.)

Example 1 - Policer Markup for RFC2698 Mode

```
<policer name="policer2">
  <algorithm>rfc2698</algorithm>
  <color_mode>color_aware</color_mode>
  <CIR>12000</CIR>
  <EIR>34000</EIR>
  <CBS>56000</CBS>
  <EBS>78000</EBS>
  <unit>byte</unit>
  <action condition="on-green" type="distribution" name="green_dist"/>
  <action condition="on-yellow" type="distribution" name="yellow_dist"/>
  <action condition="on-red" type="drop"/>
</policer>
```

Example 2 - Policer Markup for Pass-through Mode

```
<policer name="vlan_congestion_control_green">
  <algorithm>pass_through</algorithm>
  <color_mode>color_blind</color_mode>
  <default_color>green</default_color>
  <action condition="on-green" type="distribution name="default_dist"/>
</policer>
<policer name="vlan_congestion_control_yellow">
  <algorithm>pass_through</algorithm>
  <color_mode>color_blind</color_mode>
  <default_color>yellow</default_color>
  <action condition="on-yellow" type="drop"/>
</policer>
<policer name="vlan_congestion_control_red">
  <algorithm>pass_through</algorithm>
  <color_mode>color_blind</color_mode>
  <default_color>red</default_color>
  <action condition="on-red" type="drop"/>
</policer>
```

7.2.6.10 Configuration File

The Configuration file contains markup that defines the FMan instances (for devices with more than one FMan) and ports that are being used.

In addition, the Configuration file "connects" each port to the parse, classification, policing, and distribution rules defined in the Policy file. How? Each 'port' element in the Configuration file has a 'policy' attribute whose

4 If "unit" attribute is "packet" specify CIR and PIR in packets/second. If "unit" attribute is "byte" specify CIR and PIR in Kbits/second

5 If "unit" attribute is "packet" specify CBS and PBS in packets. If "unit" attribute is "byte" specify CBS and PBS in bytes.

6 If "unit" attribute is "packet" specify CIR and PIR in packets/second. If "unit" attribute is "byte" specify CIR and PIR in Kbits/second

7 If "unit" attribute is "packet" specify CBS and PBS in packets. If "unit" attribute is "byte" specify CBS and PBS in bytes.

value must be the name of one of the 'policy' elements in the Policy file. This information tells the FMan which distributions to compare to each frame received on a given port.

[Figure 121](#) shows the Configuration file's elements, attributes, and element hierarchy.

Note these element and attribute requirements:

- Valid engine names are "fm0" or "fm1"
- Valid values for the port type attribute are:
 - "MAC" (1/10 Gbit/s Ethernet port)
- Port numbering corresponds to hardware port number (as in dts) for each port.
- The value of the 'policy' attribute of a 'port' element must match the name of a 'policy' element in the Policy file.
- portid attribute (optional) - One-byte numeric value that is attached to the port and that can be used in the 'distribution' and 'combine' elements of the Policy file.

The Configuration file's general structure is shown below.

[Figure 121](#) shows an example configuration file. It uses the optional 'portid' attribute for the 1 Gbit/s ports.

Figure 121. Example Configuration File

```
<cfgdata>
  <config>
    <engine name="fm0">
      <port type="MAC" number="1" policy="ipv4_policy"/>
      <port type="MAC" number="2" policy="ipv4_policy" portid="0x96"/>
      <port type="MAC" number="3" policy="ipv4_policy" portid="0x97"/>
      <port type="MAC" number="4" policy="ipv4_policy" portid="0x97"/>
    </engine>
  </config>
</cfgdata>
```

7.2.6.11 NXP NetPDL Reference

The FMan's Soft Parser can process non-standard, custom protocols that you define. To define a custom protocol, you enter NetPDL (Network Protocol Description Language) markup into a file called the Custom Protocol file. This markup defines each field in the custom protocol's header, as well as actions for the Soft Parser to take both before and after the custom header is loaded into the frame window.

Note: Although the markup used to define a custom protocol is based on NetPDL, this markup does not follow NetPDL rules strictly. As a result, you cannot rely on non-NXP documentation of NetPDL as you write your Custom Protocol file. Only the information in this appendix accurately explains how to write the NetPDL that goes in a Custom Protocol file.

You pass the name of the Custom Protocol file to the FMC Tool from the command line. The tool, in turn, passes the information in this file (directly or indirectly) to the FMan's Soft Parser.

7.2.6.11.1 Basic XML Rules

The Custom Protocol XML file follows standard XML rules.

The file is composed of several elements. Each element begins with a start tag and can contain attributes and/or child elements. If the element contains child elements, it must have a matching end tag. An element without child elements or text must end with a forward slash (/).

Note that element and attribute names are case-sensitive. In the Custom Protocol file, all element and attribute names use only lowercase alphabetic.

Comments always begin with "`<!--`" and end with "`-->`"

Example

```
<one-element attribute1="value"> <!-- this is a comment -->
  <child-element myattribute="4"/>
</one-element>
<another-element attribute2="value2"/>
```

7.2.6.11.2 The netpdl Element

The Custom Protocol file always begins with the `<netpdl>` root element. As a result, the end `netpdl` tag must appear at the end of the file.

Attributes: No required attributes

Child Elements: protocol

Example

```
<netpdl>
...
</netpdl>
```

7.2.6.11.3 The protocol element

Use the 'protocol' element to bracket the definition of each custom protocol in the Custom Protocol file. The 'protocol' element is a container for all the other elements required to define a custom protocol.

Attributes

name - (required) alphanumeric string; defines the unique name of the custom protocol.

longname - (optional) alphanumeric string; provides a user-friendly name for the protocol.

prevproto - (required) alphanumeric string. This attribute defines the previous protocol, that is, the protocol whose header precedes the custom protocol's header.

[Table 67](#) lists the values that you can assign to the 'prevproto' attribute.

Table 67. Valid values for the prevproto attribute

Protocol	Layer
Ethernet	2
llc_snap	2
vlan	2
pppoe	2
mpls	2
ipv4	3
ipv6	3
gre	3
minencap	3

Table 67. Valid values for the prevproto attribute...continued

Protocol	Layer
otherl3 <i>Note: The Custom Protocol file's NetPDL XML has a somewhat different structure and behavior if either 'otherl3' or 'otherl4' is the previous protocol. See Section 7.2.6.11.3.1.</i>	3
tcp	4
udp	4
ipsec_ah	4
ipsec_esp	4
sctp	4
dccp	4
otherl4 ¹	4

Each time the frame window contains a header for a protocol specified in the 'prevproto' attribute of one of the 'protocol' elements in the Custom Protocol file, the Hard Parser transfers control to the Soft Parser.

The Soft Parser then executes the 'before' element code of the 'protocol' element whose prevproto attribute matches the current protocol. As long as the 'before' element code is executing, the previous protocol's header remains in the frame window. As a result, the 'before' element code can reference the fields in the previous protocol header.

Typically, the 'before' element includes code that determines whether the next protocol header is an instance of the custom protocol defined by this protocol element. If it is not, the 'before' code instructs the Soft Parser to return to the Hard Parser; if it is, the Soft Parser continues to execute the 'before' code.

When the Soft Parser finishes executing the 'before' code (and if it does not return control to the Hard Parser), the Soft Parser advances the frame window to the custom protocol header and starts executing the 'after' element code (if any has been defined). Therefore, the code in the 'after' element can reference the fields in the custom protocol header.

Child Elements: format, execute-code

Example

```
<protocol name="gtpu" longname="GTP-U" prevproto="udp">
  ...
</protocol>
<protocol name="tcpExt" longname="tcp extension" prevproto="cp">
  ...
</protocol>
```

7.2.6.11.3.1 Effect of Setting prevproto Attribute to otherl3 or otherl4

When the 'prevproto' attribute of the 'protocol' element is set to otherl3 (for other layer 3 protocol) or otherl4 (for other layer 4 protocol), the first byte of the previous protocol header and the first byte of the custom protocol header are at the position in the frame window. Because they are not real protocols, neither otherl3 nor otherl4 has a real protocol header with a defined size and defined fields; these "protocols" are used just to provide the Soft Parser with an entry point (or a termination point) within the frame window. In effect, the size of the otherl3 and otherl4 "headers" is zero. Consequently, these "headers" have the same start offset in the frame window as does the custom protocol's header.

Note: Because the otherl3 and otherl4 protocols do not have real headers, they provide nothing for the Soft Parser to parse. As a result, you cannot use the 'before' element when either of these protocols is assigned to the 'prevproto' attribute. You can only use the 'after' element in these cases.

7.2.6.11.4 The format element

Use the 'format' element to bracket the definition of the structure of a custom protocol header. The 'format' element is a container for the 'fields' element which, in turn, is a container for the 'field' element. The 'field' element lets you define each field in a custom protocol's header.

Attributes: none

Child Elements: fields

7.2.6.11.4.1 The fields Element

Use the 'fields' element to define the structure of a custom protocol's header. This element is a container for the 'field' element, which lets you define each field in a custom protocol header.

Attributes: none

Child Elements: field

7.2.6.11.4.2 The field Element

Use the 'field' element to define one of the fields in a custom protocol header.

Attributes

type - (required) string; Defines the field size as either "fixed" for a byte-length field or "bit" for a bit-length field.

size - (required) integer; Defines the size of the field in bytes.

name - (required) string; Defines the unique name for the field.

longname - (optional) string; Defines the name of the field for display purposes.

mask - (required only for bit field) integer; Defines the specific bits in the current bytes which belong to this field.

The field elements appear one after the other to define a custom protocol's header frame. The first field begins in the first byte of the custom protocol's frame header and its size is determined by the size attribute. The following fields conform to the following rules:

- A fixed field or a field following a fixed field begins in the next byte, which is the previous field's offset + the previous field's size.
- A bit field following a bit field begins in the next byte only if the last bit in the previous field's mask is 1.
- If two fields share the same offset (which is possible only when both fields are bit fields and the mask of the first field does not end with 1), they should have the same value for their size attributes.

Example

```
<format>
  <fields>
    <field type="bit"    name="flags"    mask="0xE0" size="1"/>
    <field type="bit"    name="pt"      mask="0x80" size="1"/>
    <field type="bit"    name="version" mask="0x07" size="1"/>
    <field type="fixed"  name="mtype"   size="1"/>
    <field type="fixed"  name="length"  size="2"/>
  </fields>
</format>
```

```
<format>
  <fields>
    <field type="bit"    name="version"  mask="0xE0"  size="1"/>
    <field type="bit"    name="pt"      mask="0x10"  size="1"/>
    <field type="bit"    name="flags"   mask="0x07"  size="1"/>
    <field type="bit"    name="flags1"  mask="0x01"  size="1"/>
    <field type="bit"    name="flags2"  mask="0x10"  size="1"/>
    <field type="bit"    name="flags3"  mask="0x02"  size="1"/>
    <field type="fixed"  name="mtype"   size="1" longname="message type"/>
    <field type="fixed"  name="length"   size="2"/>
  </fields>
</format>
```

The fields will, therefore, be stored in the following bit offsets in the custom protocol header:

version: 0-2 pt: 3-3 flags: 5-7 flags1: 15-15 flags2: 19-19 flags3: 22-22 mtype: 24-31 length: 32-47

7.2.6.11.5 The execute-code element

Use the 'execute-code' element to define all code that should be executed for a custom protocol once the parser reaches the specified previous protocol header.

This element contains two child elements, 'before' and 'after'. At least one of these child elements must be defined. If both are defined, the 'before' element must appear before the 'after' element.

Attributes: none

Child Elements: before, after

Example

```
<execute-code>
  <before>
    ...
  </before>
  <after headersize="8">
  </after>
</execute-code>
```

7.2.6.11.5.1 The before Element

The Soft Parser executes the code in the 'before' element before it moves the frame window from the previous protocol header to the custom protocol header. Therefore, use the 'before' element to specify logic that requires access to fields in the previous protocol header. This code is often used to determine whether the next protocol header is an instance of the custom protocol this protocol block defines. If it is not, the 'before' block instructs the Soft Parser to return control to the Hard Parser; if it is, the Soft Parser continues processing.

While the code in the 'before' element is analyzed, the frame window points to the previous protocol header. Therefore, the frame window variable (\$FW) references the fields in the previous protocol header and the header size variable (\$headerSize) variable returns the size of the previous protocol's header.

Once it reaches the end of the 'before' element, the Soft Parser moves the frame window to the custom protocol header. If no 'after' element has been defined, the Soft Parser then returns to the Hard Parser.

The 'before' element can only appear once in the 'execute-code' element and, if an 'after' element has been defined, the 'before' element must appear before the 'after' element.

Attributes

confirm - (optional) string; Valid values are "yes" and "no". The default value is "no" if an 'after' element has been defined. Otherwise, the default value is "yes". If confirm="yes", the Soft Parser confirms the presence of the 'prevproto' header by bitwise OR'ing the previous protocol's line-up enable confirmation mask with the current line-up confirmation vector (LCV) value.

confirmcustom - (optional) string; Valid values are "shim1", "shim2", and "no". The default value is "no". If 'confirmcustom' is set (!="no"), the Soft Parser confirms the presence of the custom protocol header by bitwise OR'ing the custom protocol's mask with the current line-up confirmation vector (LCV) value. The custom protocol can set one of the last two bits in the LCV. If "shim1" is selected, the least significant bit is set; if "shim2" is selected, the second least significant bit is set.

Child Elements: if, switch, assign, action

Note: When the previous protocol is 'otherl3' or 'otherl4', the previous protocol and the custom protocol are treated as if they are the same and each begins at the same offset within the frame window. Therefore, the 'before' element cannot be used when the 'prevproto' attribute is 'otherl3' or 'otherl4'; only an 'after' element be used when the the 'prevproto' attribute is 'otherl3' or 'otherl4'. See [Section 7.2.6.11.3.1](#) for more information.

7.2.6.11.5.2 The after Element

The 'after' element contains code which should be executed when a frame from the current custom protocol has been encountered. In contrast to the 'before' element, in the 'after' section, it is possible to access fields from the current protocol but not from the previous protocol. In the 'after' element the frame window variable (\$FW) manipulates the current custom protocol header and the header size variable (\$headerSize) returns the size of the current custom protocol header.

At the end of the 'after' element, the frame window jumps to the end of the custom protocol's header and control returns to the Hard Parser.

The 'after' element can appear only once in an 'execute-code' element and if a 'before' element has been defined, it must appear before the 'after' element.

Attributes

confirm - (optional) string; Valid values are "yes" and "no". The default value is "yes". If confirm="yes", the Soft Parser confirms the existence of the previous protocol header by bitwise OR'ing the previous protocol's line-up enable confirmation mask with the current line-up confirmation vector (LCV) value.

confirmcustom - (optional) string; Valid values are "shim1", "shim2", and "no". The default value is "no". If 'confirmcustom' is set (!="no"), the Soft Parser confirms the presence of the custom protocol header by bitwise OR'ing the custom protocol's mask with the current line-up confirmation vector (LCV) value. The custom protocol can set one of the two last bits in the LCV. If "shim1" is selected, the least significant bit is set; if "shim2" is selected, the second least significant bit is set.

headerSize - (optional) integer; Possible values: arithmetic expression. (See [Section "Arithmetic Expressions"](#)) The default value is calculated using the fields contained by the 'format' element. You can specify the custom protocol's header size with this attribute. This information is needed so the parser returns to the right position following the custom protocol header. If header size is not specified, the FMC Tool assumes that the fields defined inside the 'format' element are the only fields in the custom protocol header and calculates the header size using these fields. The \$headerSize variable in the 'after' element returns the value defined in this attribute (or the value calculated by default if the header attribute is not defined).

Child Elements: if, switch, assign, action

Example

```
<protocol name="gtp" prevproto="udp">
  <format>
```

```

<fields>
  <field type="bit" name="version" mask="0xE0" size="1"/>
</fields>
</format>
<execute-code>
  <before confirm="no">
    <assign-variable name="$GPR1" value="udp.dport"/>
    <!-- Note that this is ILLEGAL: <assign-variable name="GPR1"
value="version" -->
    <assign-variable name="$shimr" value="$headerSize"/>
    <!-- shimresult now holds udp's header size -->
  </before>
  <after headersize="4" confirmcustom="shim1">
    <!-- Note that this is ILLEGAL: <assign-variable name="$GPR1"
value="udp.dport"> -->
    <assign-variable name="$GPR1" value="version"/>
    <assign-variable name="$shimr" value="$headerSize"/>
    <!-- shimresult now equals 4 -->
  </after>
</execute-code>
</protocol>

```

7.2.6.11.5.3 Child Elements of the before and after Elements

The assign-variable Element

The 'assign-variable' element assigns an expression to a variable.

Attributes

name - (required) string; The name of the variable to which a value will be assigned. Valid values: Variables contained in the result array.

value - (required) integer; The expression assigned to the variable. Valid values: arithmetic expressions.

Child Elements: none

Example

```
<assign-variable name="$shimoffset_2" value="$shimoffset_1+12"/>
```

The if Element

This element tests the specified condition. If the condition is true, control transfers to the 'if-true' element; if the condition is false, control transfers to the 'if-false' element (if one is defined).

Attributes

expr - (required) string; Defines the condition to be checked before selecting the code block to execute. Valid values: logical expressions. (See [Section "Logical Expressions"](#) for more information.)

Child Elements: if-true (required), if-false

Example

```

<if expr="$shimoffset_1==1">
  <if-true>
    ...

```

```
</if-true>  
<if-false>  
  ...  
</if-false>  
</if>
```

The if-true Element

This element defines code to execute if the expression defined in the parent 'if' element is true.

Attributes: none

Child Elements: if, switch, assign, action (the same child elements as for the 'before' and 'after' elements)

Example

```
<if expr="$shimoffset_1==1">  
  <if-true>  
    ...  
  </if-true>  
  <if-false>  
    ...  
  </if-false>  
</if>
```

The if-false Element

This element defines the code to execute if the expression defined in the parent 'if' element is false.

Attributes: none

Child Elements: if, switch, assign, action (the same child elements as for the 'before' and 'after' elements)

Example

```
<if expr="$shimoffset_1==1">  
  <if-true>  
    ...  
  </if-true>  
  <if-false>  
    ...  
  </if-false>  
</if>
```

The switch Element

This element defines an expression and a set of cases. Each case consists of a value (or set of values) and code to be executed if the value equals the switch expression. Each 'switch' element must have at least one 'case' child element.

Note: Only the code of the first case that matches the switch expression is executed. Any following cases are skipped. In C language terms, a break is automatically added after the code of each case.

Attributes

expr - (required) string; Defines the value being checked. Valid values: arithmetic expressions.

Child Elements: case, default

Example

```
<switch expr="$shimoffset_1+1">
  <case value="2">
    <assign-variable name="$GPR[1:1]" value="0"/>
  </case>
  <case value="3" maxvalue="4">
    <assign-variable name="$GPR[1:1]" value="1"/>
  </case>
  <default>
    <assign-variable name="$GPR[1:1]" value="2"/>
  </default>
</switch>
```

The case Element

This element matches a value or range of values against the switch expression.

Attributes

value - (required) integer; If the value equals the switch expression and no earlier case has been matched, the code in the 'case' element is executed.

maxvalue - (optional) integer; If the switch expression is greater than or equal to the 'value' attribute and the expression is less than or equal to the 'maxvalue' attribute (and no earlier case has been matched), the code in the 'case' element is executed.

Child Elements: if, switch, assign, action (the same child elements as for the 'before' and 'after' elements)

Example

```
<switch expr="$shimoffset_1+1">
  <case value="2">
    <assign-variable name="$GPR[1:1]" value="0"/>
  </case>
  <case value="3" maxvalue="4">
    <assign-variable name="$GPR[1:1]" value="1"/>
  </case>
  <default>
    <assign-variable name="$GPR[1:1]" value="2"/>
  </default>
</switch>
```

The default Element

The 'default' element contains code that is executed if the expression in the 'switch' element is not matched by any of the candidate cases.

Attributes: none

Child Elements: if, switch, assign, action (the same child elements as for the 'before' and 'after' elements)

Example

```
<switch expr="$shimoffset_1+1">
```



```
<case value="2">
  <assign-variable name="$GPR[1:1]" value="0"/>
</case>
<case value="3" maxvalue="4">
  <assign-variable name="$GPR[1:1]" value="1"/>
</case>
<default>
  <assign-variable name="$GPR[1:1]" value="2"/>
</default>
</switch>
```

The action Element (for use in a Custom Protocol file)

Use the 'action' element in a 'before' or 'after' block to terminate soft parsing, jump to the specified next protocol header, and continue hard parsing.

Note: This topic defines the 'action' element used in a Custom Protocol file. See [Section 7.2.6.12.11](#) for the definition of the 'action' element used in a Policy file.

Attributes

- type - (required) string; "exit" is the only valid value for the type attribute.
- advance - (optional) string; The 'advance' attribute controls whether the Soft Parser moves the frame window to the next frame header. This attribute has different meanings in the 'before' and 'after' elements. In the 'before' element, the Soft Parser moves the frame window from the previous protocol header to the custom protocol header. In the 'after' element, the Soft Parser moves the frame window from the custom protocol header to the specified next protocol header. The frame window is advanced according to the header size. The value of 'advance' must be 'yes' or 'no'. The default is 'yes' unless 'nextproto' is set to 'end_parse', 'return', or not set at all. In these cases, the default value is 'no'.
- confirm - (optional) string; If confirm="yes", the Soft Parser bitwise OR's the previous protocol's line-up enable confirmation mask with the current line-up confirmation vector (LCV) value. Valid values are "yes" and "no"; the default value is "yes".
- confirmcustom - (optional) string; Valid values are "shim1", "shim2", or "no". The default value is "no". If confirmcustom is set to a value other than "no", the Soft Parser bitwise ORs the custom protocol's mask with the current line-up confirmation vector (LCV) value. The custom protocol can set one of the two last bits in the LCV. If shim1 is specified, the least significant bit is set; if shim2 is specified, the second least significant bit is set.
- nextproto - (optional); If used, this attribute must be one of the values from the table below:.. The default value is 'return'.

Table 68. Parse Action for each Value of the nextproto Attribute

If nextproto is ...	The parse action is ...
Ethernet	Jump to the Ethernet header and continue hard parsing
llc_snap	Jump to the LLC_SNAP header and continue hard parsing
vlan	Jump to the VLAN header and continue hard parsing
pppoe	Jump to the PPPoE header and continue hard parsing
mpls	Jump to the MPLS header and continue hard parsing
ipv4	Jump to the IPv4 header and continue hard parsing
ipv6	Jump to the IPV6 header and continue hard parsing
gre	Jump to the GRE header and continue hard parsing
minencap	Jump to the MinEncap header and continue hard parsing

Table 68. Parse Action for each Value of the nextproto Attribute...continued

If nextproto is ...	The parse action is ...
otherl3	Jump to the otherl3 header and continue hard parsing
tcp	Jump to the TCP header and continue hard parsing
udp	Jump to the UDP header and continue hard parsing
ipsec_ah	Jump to the IPsec_ah header and continue hard parsing
ipsec_esp	Jump to the IPsec_esp header and continue hard parsing
sctp	Jump to the SCTP header and continue hard parsing
dccp	Jump to the DCCP header and continue hard parsing
otherl4	Jump to the otherl4 header and continue hard parsing
after_ethernet	Jump to the protocol that should follow the Ethernet header. The next protocol is determined from the value of the \$nxtHdr variable. See Table 69 to find the next protocol for each possible value of \$nxtHdr. Note: The 'advance' attribute must be set to 'yes' if 'nextproto' is set to 'after_ethernet'.
after_ip	Jump to the protocol that should follow the IP header. The next protocol is determined from the value of the \$nxtHdr variable. See table: Next Protocol for each \$nxtHdr Value if nextproto is 'after_ethernet' to find the next protocol for each possible value of \$nxtHdr. Note: The 'advance' attribute must be set to 'yes' if 'nextproto' is set to 'after_ip'.
return (default value)	Return to the Hard Parser without advancing the frame window. In this case, the Hard Parser starts parsing the frame header at the same position at which the Soft Parser began. The 'advance' attribute cannot be 'yes' when 'nextproto' is set to return.
none/end_parse	Finish parsing the frame header; do not return to the Hard Parser.

Table 69. Next Protocol for each \$nxtHdr Value if nextproto is 'after_ethernet'

If \$nxtHdr is ...	The next protocol is ...
0x05DC or less	llc_snap
0x0800	ipv4
0x86DD	ipv6
0x8847, 0x8848	mpls
0x8100, 0x88A8, ConfigTPID1, ConfigTPID2	vlan
0x8864	pppoe
other value	otherl3

Table 70. Next Protocol for each \$nxtHdr Value if nextproto is 'after_ip'

If \$nxtHdr is ...	The next protocol is ...
4	ipv4
6	tcp
17	udp
33	dccp

Table 70. Next Protocol for each \$nxtHdr Value if nextproto is 'after_ip' ...continued

If \$nxtHdr is ...	The next protocol is ...
41	ipv6
50, 51	ipsec
47	gre
55	minencap
132	sctp
other value	otherl4

Notes

- The frame window *must* be advanced when parsing jumps to the 'after_ethernet' or 'after_ip' protocols. Therefore, the 'advance' attribute cannot be set to 'no' in these cases.
- The frame window *must not* be advanced before a 'return' to the Hard Parser. Therefore, the 'advance' attribute cannot be set to 'yes' if nextproto is set to 'return' or not set at all (since 'return' is the default 'nextproto' value).

Child Elements: none

Example

```
<action type="exit"
  advance="yes"
  confirmcustom="shim2"
  confirm="no"
  nextproto="udp"/>
```

7.2.6.11.6 Expressions

Expressions are constructed of operands and operators. The simplest expression can contain just one operand. Most operators are dyadic and separate two operands (such as +, -) and some operators are monadic and operate on just the operand that follows them (such as 'not').

7.2.6.11.6.1 Operands

These are the supported types of operands: numbers, variables, fields, and expressions.

Note: The maximum size of an operand is 64 bits (8 bytes).

Numbers

Numbers can appear in decimal (no prefix), binary (prefixed by '0b'), or hexadecimal (prefixed by '0x') format.

All numbers are 64-bit unsigned integers. However, some operators only use the 32 LSB of a number.

Note: Immediate, primitive negative numbers are not supported. For example, the number -2 cannot appear in an expression. However, artificial negative values can be created using arithmetic expressions such as 1-3 (which returns 0xffffffe).

Fields

Fields are defined with the 'format' element in a custom protocol header definition. There are two ways to access a field, by typing their name directly or by typing the name of the protocol header containing the field, followed by a period, followed by the name of the field.

In the 'before' element, it is only possible to access fields in the previous protocol header; in the 'after' element, it is only possible to access fields in the current custom protocol header.

Note: Fields longer than 8 bytes cannot be accessed individually. You can work around this limit by accessing the frame directly using the frame window (\$FW) variable or by splitting the field into several shorter fields.

Example

```
<protocol name="gptu" prevproto="#ethernet">
  <format>
    <fields>
      <field type="fixed" name="example" size="2"/>
    </fields>
  </format>
  <execute-code>
    <before>
      <assign-variable name="$l2r" value="ethernet.type"/>
    </before>
    <after>
      <assign-variable name="$shimoffset_2" value="example"/>
    </after>
  </execute-code>
</protocol>
```

Variables

All variable names begin with the \$ prefix and are case-sensitive. These variables are supported: frame window, header size, prevprotoOffset, parameter array, and result array variables.

Result Array Variables

Result array variables return values contained in the parse results array.

Syntax for accessing result array variables:

- \$variableName - returns the entire variable
- \$variableName[byteOffset:byteNumber] - Returns the byteNumber number of bytes in the variable starting from byteOffset. This access method is useful for accessing a subset of the bytes in the variable. In bytesNumber equals zero, the entire variable is returned, starting from byteOffset.

Example: The variable \$actiondescriptor returns result array bytes 64-71. The expression \$actiondescriptor[2:4] returns result array bytes 66-69 since 66 is at offset 2 of the actiondescriptor variable and the requested size is 4. The expression \$actiondescriptor[3:0] returns result array bytes 67-71 since 67 is at offset 3 of the actiondescriptor variable and the requested size is 0, which means return the entire variable starting at the specified offset (3).

Other usage: In addition to expressions, result array variables can be used in the left side of 'assign-variable' elements to modify result array values.

[Table 71](#) shows the available result array variables .

Table 71. Result Array Variables

Variable Name	Result Array Bytes Referenced
gpr1	0-7
gpr2	8-15
logicalportid	16-16

Table 71. Result Array Variables ...continued

Variable Name	Result Array Bytes Referenced
shimr	17-17
l2r	18-19
l3r	20-21
l4r	22-22
classificationplanid	23-23
nxthdr	24-25
runningsum	26-27
flags	28-28
fragoffset	28-29
routype	30-30
rhp	31-31
ipvalid	31-31
shimoffset_1	32-32
shimoffset_2	33-33
ip_pidoffset	34-34
ethoffset	35-35
llcs_napoffset	36-36
vlantcioffset_1	37-37
vlantcioffset_n	38-38
lastetypeoffset	39-39
pppoeoffset	40-40
mplsoffset_1	41-41
mplsoffset_n	42-42
ipoffset_1	43-43
ipoffset_n	44-44
minencapo	44-44
minencapoffset	44-44
greoffset	45-45
l4offset	46-46
nxthdroffset	47-47
framedescriptor1	48-55
framedescriptor2	56-63
actiondescriptor	64-71
ccbbase	72-75
ks	76-76
hpnia	77-79

Table 71. Result Array Variables ...continued

Variable Name	Result Array Bytes Referenced
sperc	80-80
ipver	85-85
iplength	86-87
icp	90-91
attr	92-92
nia	93-95
ipv4sa	96-99
ipv4da	100-103
ipv6sa1	96-103
ipv6sa2	104-111
ipv6da1	112-119
ipv6da2	120-127

Note: The \$GPR2 variable is used internally by the FMC Tool to calculate complex expressions, including checksum calculations. Using \$GPR2 for other purposes is possible, but is not supported or recommended.

Parameter Array Variable

This variable returns data from the parameter array. Because the parameter array is more than 8 bytes long, you must specify the particular bytes needed.

Accessing parameter array variables: \$PA[byteOffset:byteNumber] - returns the byteNumber number of bytes in the parameter array starting at byteOffset.

Example: The expression "\$PA[4:2]" accesses the fifth and sixth bytes (indexed at PA[4] and PA[5]) of the parameter array.

Header Size Variables

Header size variables return the header size or default header size of a protocol header.

Accessing header size variables: \$headerSize or \$defaultHeaderSize

- In the 'before' element, the \$headerSize of the previous protocol header is returned. Accessing \$defaultHeaderSize is not allowed.
- In the 'after' element, the \$defaultHeaderSize variable returns the number of bytes in the custom protocol's format fields. The \$headerSize variable returns the headerSize as defined by the 'headersize' attribute of the 'after' element. If the user has not specified a value for the 'headersize' attribute, \$headerSize returns the same value as \$defaultHeaderSize.

Frame Window Variable

The frame window variable (\$FW) returns data from the frame array. In the 'before' element, the frame window variable returns data from the previous protocol's header. In the 'after' element, the frame window variable returns data from the custom protocol header.

Using the frame window variable: \$variableName[bitOffset:bitNumber] - Returns the bitNumber number of bits in the frame header starting from bitOffset.

Note: The frame window uses similar syntax to the parameter array and result array variables; however, the frame window variable accesses bits instead of bytes.

Examples

To access the tenth and eleventh bits in the frame array (indexed at FW[9], FW[10]), use "\$FW[9:2]".

To access the entire third byte of the frame array, use "\$FW[16:8]".

The conditions in the example below are always true because the same bits can be accessed using either the \$FW variable or header field names.

```
<format>
  <fields>
    <field type="bit" name="first" size="1" mask="0xE0"/>
    <field type="bit" name="second" size="1" mask="0x1"/>
    <field type="bit" name="third" size="1" mask="0xF"/>
    <field type="fixed" name="fourth" size="2"/>
  </fields>
</format>
...
<after>
  <if expr="first==$FW[0:3]"> ... </if>
  <if expr="second==$FW[7:1]"> ... </if>
  <if expr="third==$FW[8:4]"> ... </if>
  <if expr="fourth==$FW[16:16]"> ... </if>
</after>
```

The prevprotoOffset Variable

This variable returns the offset of the previous protocol's frame header. This variable has the same value in the 'before' and 'after' sections and always refers to the protocol defined in the 'prevproto' attribute of the protocol element.

In the 'before' element, the frame window's current location is equal to prevprotoOffset. In the 'after' element, the frame window's current location is equal to prevprotoOffset+headerSize.

Note: This variable is actually a "shortcut" to the result array and returns or modifies values taken directly from this array.

Table 72. Previous Protocol RA Return Values

If the previous protocol is ...	The value returned from result array is ...
ethernet	\$ethoffset
gre	\$greoffset
ipv4, ipv6	\$lppoffset_n
llc_snap	\$llcsnapoffset
minencap	\$minencapoffset
mpls	\$mplsoffset_n
pppoe	\$pppoeoffset
tcp, udp, sctp, dccp, ipsec_ah, ipsec_esp	\$l4offset
vlan	\$vlanoffset_n

Table 72. Previous Protocol RA Return Values...continued

If the previous protocol is ...	The value returned from result array is ...
otherI3, otherI4	\$NxtHdrOffset - When the previous protocol is otherI3 or other I4, the custom protocol and the previous protocol have the same offset. See Section 7.2.6.11.3.1 .

7.2.6.11.6.2 Operators

The parser supports many operators. These operators can receive arithmetic or logical operands and return an arithmetic or logical value. An arithmetic value is a number, while a logical value is true or false. (See [Section "Arithmetic Expressions"](#) and [Section "Logical Expressions"](#) for more information.)

[Table 73](#) describes all operators and their associated properties. All dyadic operators (operators which receive two parameters) appear between two operands. All monadic operators appear before an operand.

Table 73. Supported Operators and their Properties

Name	Parameters	Description	Symbol
Greater than	Logical (Arithmetic, Arithmetic)	Checks if the value of the first expression is greater than the second	gt
Greater equal	Logical (Arithmetic, Arithmetic)	Checks if the value of the first expression is equal to or greater than the second	ge
Less than	Logical (Arithmetic, Arithmetic)	Checks if the value of the first expression is less than the second	lt
Less equal	Logical (Arithmetic, Arithmetic)	Checks if the value of the first expression is equal to or less than the second	le
Equal	Logical (Arithmetic, Arithmetic)	Checks if the two expressions are equal	==
Not equal	Logical (Arithmetic, Arithmetic)	Checks if the two expressions are not equal	!=
Logical AND	Logical (Logical, Logical)	Checks if both expressions are true	and
Logical OR	Logical (Logical, Logical)	Checks if either one of the expressions is true	or
Logical NOT	Logical (Logical)	Returns true if the expression is false; returns false otherwise	not
Add	32-bit Arithmetic (32-bit Arithmetic, 32-bit arithmetic)	Return the sum of the expressions	+
Subtract	32-bit arithmetic (32-bit Arithmetic, 32-bit arithmetic)	Return the difference between the two expressions (result of subtraction)	-
Add carry	16-bit arithmetic (16-bit arithmetic, 16-bit arithmetic)	Return the sum of the two expressions summed with the carry after 32bit	addc
Bitwise OR	Arithmetic (Arithmetic, Arithmetic)	Returns the result of a bitwise OR operation on the two expressions	bitwor
Bitwise XOR	Arithmetic (Arithmetic, Arithmetic)	Returns the result of a bitwise XOR operation on the two expressions	bitwxor
Bitwise AND	Arithmetic (Arithmetic, Arithmetic)	Returns the result of a bitwise AND operation on the two expressions	bitwand
Bitwise NOT	Arithmetic (Arithmetic)	Returns the result of a bitwise NOT operation on the expression	bitwnot
Shift left	Arithmetic (Arithmetic, Integer - value up to 64 bits)	Return the left expression shifted left by the right expression	shl

Table 73. Supported Operators and their Properties...continued

Name	Parameters	Description	Symbol
Shift right	Arithmetic (Arithmetic, Integer - value up to 64 bits)	Return the left expression shifted right by the right expression	shr
Concat	Arithmetic (Arithmetic, Variable or Integer)	Special operator See Section "The concat Operator" for full documentation	concat
Checksum	Arithmetic (Arithmetic - value up to 0xffff, Arithmetic - value up to 256, Arithmetic - value up to 256)	Special operator See Section "The checksum Operator" for full documentation	checksum

The concat Operator

The concat operator shifts its first argument left and inserts its second argument to its right. The concat operation can be executed on variables or integers. If the second argument is a variable, the first argument is shifted left according to the known size of the variable. Result array variables have constant sizes and the size of the frame header's fields are set in the Custom Protocol file or the Standard Protocol file.

If the user accesses only specific bits in the second argument, the first argument is shifted left only by the number of bits specified.

If the second argument is an integer, the first argument is shifted left by the smallest word size into which the integer fits: 16, 32, 48, or 64.

Note: The second argument of a concat operation cannot be an expression because the FMC Tool does not know the size of an expression and therefore cannot shift the first argument properly. However, for expressions, you can replace the concat operation with a shift operation (as long as you know the number of bits to shift) and a bitwise OR operation.

Note: You should use concat instead of shift/bitwise OR when working with variables and integers in order to reduce code size.

For example, the following IF expression is true:

```
<assign-variable name="$shimr" value="2"/>
<assign-variable name="$GPR1[6:2]" value="3"/>
<if expr="1 concat $shimr concat $GPR1[6:2] concat 0x40000 ==
0x102000300040000">
```

The checksum Operator

The checksum operator is a special operator with unique behavior and syntax. It appears before three operands that have parentheses around them. As a result, the concat operator looks like a function call - checksum(expression, integer, integer).

The first operand defines the initial checksum value. The second operand defines the frame window offset at which to start the checksum (relative to the current frame window location). The third operand defines the length of the data in bytes on which the checksum operation should be calculated.

Using these values, the checksum executes the add carry (addc) operation on 2-byte sized words in the frame window range specified. If the range specified contains an odd number of bytes to be checksummed, the last byte is padded on the right with zeros to form a 16-bit word for checksum purposes. The total sum is added to the initial checksum value using another addc operation. Therefore, the first argument that defined the initial sum value must be smaller than 0xffff. The result of the final addc operation is returned.

Note: Since it is only possible to access 256 bytes in the frame window, the last two arguments to the checksum operator must be less than or equal to 256.

Example

Suppose we have the following frame and the custom protocol header begins at offset 0xE (where 4500 appears):

```
FFFF FFFF FFFF 0CCB CC0D DDDD 0800 4500 002E 0000 4000 402F
2AA2 1000 0000 FFFE 0001 0308 0900 0000 0000 0000 0000 0000
0000 0000 0000 0000 0000 0000 DA95 36D6 6F15 778C
```

The following IF conditions will always be true:

```
<after>
  <if expr="checksum(0x30A2, 2, 7+2) == 0xDAFF">
    ...
  </if>
  <if expr="checksum(0, 0, 20) == 0xFFFF">
    ...
  </if>
</after>
```

The first checksum operation above performs the following calculation:

```
0x30A2 + (0x002E add 0x0000 addc 0x4000 addc 0x402F addc 0x2A00)
```

The second checksum operation performs the following calculation:

```
0x0000 + (0x4500 addc 0x002E addc 0x0000 addc 0x4000 addc 0x402F addc 0x2AA2
          addc 0x1000 addc 0x0000 addc 0xFFFE addc 0x0001)
```

Expression Priorities

Expressions containing multiple operators perform the operation according to the following rules, in the order shown:

1. Operations in parentheses are performed
2. Operations that have a higher priority are performed
3. Multiple operations with the same priority are then executed from left to right

Note: Parentheses are recommended when several operators appear in the same expression to ensure correct calculation.

Operator Precedence

If several operators appear in the same expression (without separating parentheses), they are performed in the following order:

1. NOT, bitwise NOT, checksum
2. add, subtract, add carry
3. bitwise AND, bitwise OR, bitwise XOR
4. shift right, shift left, concat
5. greater than, greater equal, less than, less equal, equal, not equal
6. AND, OR

Variable Size

In most operations, expression size is limited to 64 bits. However, there are a few exceptions:

- When shifting variables, the shift value must be less than or equal to 64 bits since there are only 64 bits in an expression.
- The add carry operation can only be performed on 16-bit variables and always returns a 16-bit variable. The Soft Parser reports an error if an add carry operation is performed on a constant larger than 16 bits, but does not recognize a complex expression larger than 16 bits. Therefore, it is the responsibility of the user to perform the operation on 16-bit variables only.
- The subtract and add operators can only be performed on 32-bit variables and they always return a 32-bit result. If two 32-bit expressions are added and their result is larger than 32 bits, only the carry is returned, such that the returned value is a 32-bit variable. The Soft Parser reports a warning if an add carry operation is performed on a constant larger than 32 bits, but does not recognize a complex expression larger than 32 bits. Therefore, it is the responsibility of the user to perform the operation on 32-bit variables only.

For example, the following IF expressions are always true:

- ```
<if expr="0xFFFFFFFF+2==0x1">
```
- ```
<if expr="0x123456781+3==0x123456784">
```

The following IF expression is false (and should not be used):

- ```
<if expr="3+0x123456781==0x123456784">
```

### 7.2.6.11.6.3 Expression Types

There are two main types of expressions: Logical expressions, which return "true" or "false", and arithmetic expressions, which return a numeric result.

#### Logical Expressions

Logical expressions appear in the 'expr' attribute of the 'if' element.

These expressions always return "true" or "false" and, therefore, must use at least one logical operator that separates arithmetic and logical operators.

#### Examples

The following expressions are logical expressions:

- ```
(4+1==$shimoffset_1 or 5!=$shimoffset_2)
```
- ```
not($shimoffset_2 ge $shimoffset_1 or $shimoffset_1 lt $shimoffset_2)
```

The following expressions are NOT logical expressions:

- ```
(7 gt 3 and 2+7)
```
- ```
(5 lt 8 or 7)
```

## Arithmetic Expressions

Arithmetic expressions always have a numeric result. They can hold a single operand (a number, variable, or arithmetic expression) or more than one operand separated by arithmetic operators. Logical operators are not allowed in arithmetic expressions.

Arithmetic expressions can appear in the following places:

- The value attribute of the assign element
- The headersize attribute of the after element
- The expr attribute of the switch element

### Examples

The following are arithmetic expressions:

- `($FW[0:16]+4)`
- `($shimoffset_1 concat 3)`
- `(3+7+8+$shimoffset_2)`
- `4`

The following is NOT an arithmetic expression:

- `4==$shimoffset_2`

## 7.2.6.11.7 Tips and Recommendations

### 7.2.6.11.7.1 Result Array Fields that Must be Manually Updated

The FMC Tool lets you define custom protocol headers, and the Soft Parser parses these headers. However, the Soft Parser does not update header fields for you (other than advancing the frame window and updating the line-up confirm vector (LCV) with the previous protocol). (See [Section 7.2.6.11.5.1](#), [Section 7.2.6.11.5.2](#), and [Section "The action Element \(for use in a Custom Protocol file\)"](#) topics for more information.)

Therefore, some result array fields are left empty unless you manually update them. These fields might be needed in later stages in order for the Soft Parser to correctly interpret the custom protocol header. A list of result array fields that should be updated appears in the Frame Manager Parser section of the *QorIQ Data Path Acceleration Architecture (DPAA) Reference Manual*. These fields include \$Classificationplanid, \$nxtHdr, \$Runningsum, HXS offsets, Last E Type Offset, and \$nxtHdrOffset. Note that the HXS offsets, \$nxtHdr, and \$nxtHdrOffset fields are also used internally by the Soft Parser; therefore, these fields should be modified carefully.

The \$nxtHdr fields should be modified only if the custom protocol does not jump to 'after\_ip' or 'after\_ethernet', or if you want to change the next protocol when jumping to 'after\_ip' or 'after\_ethernet'. You should only modify the HXS offsets and next header offsets in the 'after' element or in the 'before' element if the parser exits without advancing the frame window.

Finally, the LCV should be manually updated when a custom protocol is being parsed. This can be done using the 'confirmcustom' attribute, which is available in the 'before', 'after', and 'action' elements.

### 7.2.6.11.7.2 Result Array Fields that Should Not be Modified

Some fields in the result array are for the Soft Parser's exclusive use and therefore should not be modified by the user. These fields are:

- \$GPR1 is used to store temporary values in complex operations; therefore, you should not modify it.
- \$nxtHdr is used to calculate the position of the next protocol header when the 'protocol' element's 'nextproto' attribute is set to 'next\_ethernet' or 'next\_ip'. Therefore, this variable should not be modified when 'nextproto' equals one of these values.
- \$prevprotoOffset is used to advance the frame window between the 'before' and 'after' elements or when using the 'action' element with the 'advance' attribute in the 'before' element. Therefore, this variable should not be modified in the 'before' element unless the Soft Parser exits this element without advancing the frame window. In addition, \$prevprotoOffset can equal these result array variables: \$ethoffset, \$greoffset, \$ipoffset\_n, \$llcsnapoffset, minencapoffset, mplsoffset\_n, pppoeoffset, l4offset, vlanoffset\_n, and \$nxtHdrOffset. As a result, these variables should also not be modified by code in the 'before' element.
- \$nxtHdrOffset is used to advance the frame window between the 'before' and 'after' elements or when using the 'action' element with the 'advance' attribute in the 'before' element. Therefore, this variable should not be modified in the 'before' element unless the Soft Parser exits this element without advancing the frame window.

### 7.2.6.11.7.3 Setting the Next Protocol

The Soft Parser can be used to add code for an existing protocol or to define an entirely new protocol. When it is used as an extension for an existing protocol and no new frame headers are being parsed, the 'nextproto' attribute of the 'action' element should be set to 'return'. In this case, the nextproto attribute can also be left empty since 'return' is the default value. If 'return' is set, the Soft Parser will execute its code and then the Hard Parser will continue parsing at the same position in the frame header at which it stopped.

When the Soft Parser is used for a custom protocol with its own header, the Hard Parser must skip this header (since it does not know how to parse it) and, therefore, the next protocol must be set to a specific protocol. If the next protocol is unknown, the 'nextproto' attribute in the 'action' element can be set to 'after\_ip' or 'after\_ethernet'. In these cases, the next protocol header is determined using the value of the \$nxtHdr field.

#### Example

1. If we want to execute the Soft Parser because when we parse the Ethernet protocol, our code will likely include an action similar to the action below, which will appear in the 'before' element.

```
<action type="exit" advance="no" next="return">
```

2. If we want to add a custom protocol after Ethernet and then jump to IPv6, our code will likely include an action similar to the action below, which will appear in the 'after' element...

```
<action type="exit" advance="yes" next="ipv6">
```

3. If we want to add a custom protocol after the Ethernet header, and we do not know where to jump next, our code will likely include an action similar to the action shown below, which will appear in the 'after' element. In this case, when "after\_ethernet" is used as next protocol, \$nxtHdr variable but be dynamically assigned accordingly from custom protocol header by using next protocol and field names as value.

```
<assign-variable name="$nxtHdr" value="protocol.field"/>
<action type="exit" advance="yes" next="after_ethernet">
```

### 7.2.6.11.8 Limitations

This section discusses limitations you should consider when working with the FMC Tool's Soft Parser functionality.

7.2.6.11.8.1 Complex Expressions

Some expressions contain so many operations and parentheses that they are too complicated for the Soft Parser. If you receive an error stating that an expression is too complex, it may be necessary to simplify the expression by splitting it into multiple, smaller expressions, using parentheses, or storing temporary values in the result array variables.

**Note:** \$GPR1 is recommended for storing temporary variables. Do not use \$GPR2 for temporary variables because it is used internally by the tool).

Note that the checksum operation expressions can easily become too complex and must be simplified.

7.2.6.12 NetPCD Reference

7.2.6.12.1 The netpcd element

The 'netpcd' element is the root element of a NetPCD document (also known as a policy file). As a result, the 'netpcd' element must appear before any other NetPCD element.

7.2.6.12.1.1 netpcd Attribute Definitions

Table 74. netpcd Attribute Definitions

Attribute	Requirement	Description
name	optional	Free text. Use to describe the name and the purpose of the Policy file.
version="1.0"	optional	Version of the NetPCD DTD or XML schema. Currently there is only one version - "1.0," which is the default.
creator	optional	Author's name
date	optional	Date the document was created

7.2.6.12.1.2 netpcd Example

```
<?xml version="1.0"?>
<netpcd version="1.0" name="Example" creator="Serge Lamikhov">
 <!-- Other NetPCD elements like 'policy', 'distribution', etc -->
 <policy name="ipv4">
 <dist_order>
 <distributionref name="eth_dist"/>
 <distributionref name="default_dist"/>
 </dist_order>
 </policy>
</netpcd>
```

7.2.6.12.2 The policy element

The 'policy' element defines a prioritized list of distributions.

A policy element is assigned (via its name attribute) to a port or ports using markup in the Configuration file. Therefore, the 'policy' element is the means by which specific PCD rules defined in the Policy file are applied to traffic arriving on particular FMan ports.

Upon receipt of a frame on given port, the Hard Parser tries to match this frame to the distribution listed first in the policy assigned to this port. If the frame matches, this distribution handles the frame. If the frame does not

match, the Hard Parser next tries to match the frame to the second distribution in the policy list. This process continues until a distribution in the list matches or no more distributions are left in the policy element's list, in which case, the frame is placed on the FMan's default receive queue.

### 7.2.6.12.2.1 policy Attribute Definitions

Table 75. policy Attribute Definitions

Attribute	Requirement	Description
name	required	Name of the policy. A port definition in the Configuration file references this name, thereby applying this policy to all frames arriving on this port.

### 7.2.6.12.2.2 policy Example

```

Policy File
<policy name="ipv4"> <!-- policy name is ipv4 -->
 <dist_order>
 <distributionref name="eth_dist"/>
 <distributionref name="default_dist"/>
 </dist_order>
</policy>
Configuration File
<cfgdata>
 <config>
 <engine="fm0">
 <port type="MAC" number="1" policy="ipv4"/> <!-- policy name ipv4 goes
here -->
 </engine>
 </config>
</cfgdata>

```

### 7.2.6.12.3 The dist\_order element

The 'dist\_order' element is a container for a list of distribution references.

The Hard Parser chooses a particular distribution in this list at the moment when the protocol set made from the protocols participating in a distribution is a subset of the protocols found in the current network packet.

The distribution reference list contained within 'dist\_order' element is processing sequentially, and the first conforming distribution is the distribution that is used. Therefore, the order of distribution references is important.

#### 7.2.6.12.3.1 dist\_order Attribute Definitions

Table 76. dist\_order Attribute Definitions

Attribute	Requirement	Description
none	n/a	n/a

#### 7.2.6.12.3.2 dist\_order Example

```

<policy name="ipv4">
 <dist_order>

```

```
<distributionref name="tcp_dist"/>
<distributionref name="udp_dist"/>
<distributionref name="ethernet_dist"/>
<distributionref name="default_dist"/>
</dist_order>
</policy>
```

**Note:** In this example, putting "ethernet\_dist" (which is supposed to process network traffic other than TCP and UDP) above "tcp\_dist" will lead to all traffic be distributed according to "ethernet\_dist" rule and no packets will reach "tcp\_dist" or "udp\_dist" rules. This is because the Ethernet protocol is a part of TCP and UDP frames as well.

**7.2.6.12.4 The distributionref element**

The 'distributionref' element references a 'distribution' element by its name.

The 'dist\_order' element contains one or more 'distributionref' elements, thereby defining a prioritized list of distributions.

**7.2.6.12.4.1 distributionref Attribute Definitions**

Table 77. distributionref Attribute Definitions

Attribute	Requirement	Description
name	required	Name of the referenced 'distribution' element

**7.2.6.12.4.2 distributionref Example**

```
<policy name="ipv4">
 <dist_order>
 <distributionref name="eth_dist"/>
 <distributionref name="default_dist"/>
 </dist_order>
</policy>
```

**7.2.6.12.5 The distribution element**

The 'distribution' element is a container for child elements that define frame match rules and frame handling rules.

Frame match rules determine whether the current frame matches (and is therefore handled by) this distribution. Frame handling rules define what action is performed on matching frames.

Use the 'protocols' element and/or the 'key' element to define frame match rules.

Use the 'action', 'key', 'queue', and 'combine' elements to define frame handling rules.

An 'action' element within the distribution passes the frame to the specified Policy file element for further processing

The 'key', 'queue' and (optional) 'combine' elements within a distribution together provide inputs to a hash algorithm that distributes frames evenly over a range of frame queues. The 'key' element defines the protocol header fields to use as the hash key, the 'queue' element defines the base value and number of FQIDs in the frame queue range, and the optional 'combine' elements give you fine control over the exact FQIDs that the algorithm generates.



**Note:** You can use an 'action' element in the hash scenario described above to pass the frame to a policer profile, which may abort the enqueue operation and drop the frame if traffic conditions warrant. In the absence of an 'action' element, frame processing concludes (and the frame leaves the FMan) at the end of the 'distribution' element.

A distribution's frame queue ID calculation is performed as follows:

- A hash key is formed by extracting and concatenating the protocol header fields specified by the 'key' element.
- The result value is hashed to a 64-bit CRC.
- The number of least significant bits is taken based on the 'count' attribute of the 'queue' element.
- The resulting value is ORed with the data retrieved according to the 'combine' elements.
- The resulting value is ORed with the 'base' attribute value of the 'queue' element.

All child elements are optional. Appropriate hardware dependent default values are used in cases where a child element does not exist in the 'distribution' definition.

### 7.2.6.12.5.1 distribution Attribute Definitions

Table 78. distribution Attribute Definitions

Attribute	Requirement	Description
name	required	Name of the distribution. Any references to a distribution are made using to this name.
description	optional	Free text describing the element purpose.
comment	optional	Free text providing any other information.

### 7.2.6.12.5.2 distribution Example

```
<distribution name="eth_dist" description="Ethernet protocol based
distribution">
 <queue count="0x400" base="0x810000"/>
 <key>
 <fieldref name="ethernet.src"/>
 <fieldref name="ethernet.dst"/>
 </key>
 <combine portid="true" offset="10" mask="0xFF"/>
 <combine frame="112" offset="2" size="16" mask="0xFF"/>
 <action type="classification" name="eth_dest_clsfc"/>
</distribution>
```

### 7.2.6.12.5.3 Default Groups

XML 'defaults' element is a container for parameters necessary for configuration of the default groups and private default registers. The element, if it exists, can be used as a child of element 'distribution'. This element contains a list of 'default' elements.

Table 79. 'default' Elements Attributes:

Attribute	Requirement	Description
private0	optional	The scheme default register 0.
private1	optional	The scheme default register 1.

Element 'default' attributes. This element can appear as a child to the element 'defaults':

Table 80. 'default' Element Attributes:

Attribute	Requirement	Description
type	required	Default type select. Possible values are: <ol style="list-style-type: none"> <li>"from_data" – any data extraction that is not one of the full fields that can be used as type.</li> <li>"from_data_no_v" – any data extraction without validation.</li> <li>"not_from_data" – extraction from parser result or direct use of default value.</li> <li>"mac_addr" – MAC Address.</li> <li>"tci" – TCI field.</li> <li>"enet_type" – ENET Type.</li> <li>"ppp_session_id" – PPP Session id.</li> <li>"ppp_protocol_id" – PPP Protocol id.</li> <li>"mpls_label" – MPLS Label.</li> <li>"ip_addr" – IP Addr.</li> <li>"protocol_type" – Protocol type.</li> <li>"ip_tos_tc" – TOC or TC.</li> <li>"ipv6_flow_label" – IPV6 flow label.</li> <li>"ipsec_spi" – IPSEC SPI.</li> <li>"l4_port" – L4 Port.</li> <li>"tcp_flag" – TCP Flag</li> </ol>
select	required	Default register select. Possible values are: <ol style="list-style-type: none"> <li>"gb10" – Default selection is KG register 0.</li> <li>"gb11" – Default selection is KG register 1.</li> <li>"private0" – Default selection is a per scheme register 0.</li> <li>"private1" – Default selection is a per scheme register 1</li> </ol>

Here is an example of possible default groups and nonheader definition:

```
<distribution name="Distribution1">
 <queue base="1" count="8"/>
 <key>
 <fieldref name="ipv4.src"/>
 <fieldref name="ipv4.dst"/>
 <fieldref name="ipv4.nextp"/>
 <nonheader source="default" offset="0" size="4"/>
 </key>
 <defaults private0="0xAAAAAAAA">
 <default type="from_data" select="private0"/>
 <default type="from_data_no_v" select="private0"/>
 <default type="not_from_data" select="private0"/>
 </defaults>
 <action type="drop"/>
</distribution>
```

### 7.2.6.12.6 The key element

The 'key' element contains a list of 'fieldref' elements. The 'fieldref' elements define the protocol header fields whose values are concatenated to form a hash key. The Key Gen sub block hashes this key and uses a portion of the result in its frame queue ID (FQID) calculation.

7.2.6.12.6.1 key Attribute Definitions

Table 81. key Attribute Definitions

Attribute	Requirement	Description
shift	optional	Defines the amount by which the concatenation of the fields in the 'key' element are right shifted. The default value is zero. <b>Note:</b> The 'shift' attribute is ignored if the 'key' elements appear within a 'classification' element.
symmetric	optional	Generate the same hash for frames with swapped source and destination fields on all layers. If source is selected, destination must also be selected, and vice versa.

7.2.6.12.6.2 key Example

```
<key shift="16">
 <fieldref name="ethernet.src"/>
 <fieldref name="ethernet.dst"/>
</key>
```

7.2.6.12.7 The fieldref element

The 'fieldref' element refers to a protocol header field by its name.

The Standard Protocol file contains the names of the available protocols and their fields. This file is named hxs\_pdl\_v3.xml and is in the directory /etc/fmc/config/.

7.2.6.12.7.1 fieldref Attribute Definitions

Table 82. fieldref Attribute Definitions

Attribute	Requirement	Description
name	required	The referenced field name. The field's name should be provided in the form of "protocolname.fieldname".

7.2.6.12.7.2 fieldref Example

```
<key>
 <fieldref name="ethernet.src"/>
 <fieldref name="ethernet.dst"/>
</key>
```

7.2.6.12.8 The queue element

The 'queue' element defines the number of queues (default is one) and the base value for the FQIDs for these queues.

When used within a 'distribution' element, the 'queue' element defines a range of queues over which to evenly distribute frames.

When used within other elements, such as a 'classification' element, the 'queue' element defines the single queue on which to place a frame.

7.2.6.12.8.1 queue Attribute Definitions

Table 83. queue Attribute Definitions

Attribute	Requirement	Description
base	required	The base frame queue ID value.
count	optional	This attribute is relevant only when a 'queue' element appears within a 'distribution' element. In this case, the 'count' attribute defines the number of frame queues over which to distribute frames. Valid values for 'count' are powers of 2. The default value is 1.

7.2.6.12.8.2 queue Example

```
<distribution name="eth_dist">
 <queue count="0x400" base="0x810000"/>
 <key>
 <fieldref name="ethernet.src"/>
 <fieldref name="ethernet.dst"/>
 </key>
</distribution>
```

7.2.6.12.9 The protocols and protocolref elements

The 'protocols' and 'protocolref' elements are used together to extend a 'distribution' element's frame match conditions.

As explained in the 'dist\_order' description, a distribution is chosen based on the set of protocols specified in its 'key' element. The 'protocols' and 'protocolref' elements let you extend this set of protocols beyond those listed in the 'key' element.

7.2.6.12.9.1 protocols and protocolref Attribute Definitions

Table 84. protocols and protocolref Attribute Definitions

Attribute	Requirement	Description
name	required	The name of the protocol.
opt	optional	Applicable only for protocolref attribute Use it in a scheme for detecting protocols with the chosen options (for example, to detect ETHERNET with BROADCAST or MULTICAST option) Table 2 contains all possible values. The values are grouped, each group being separated by a blank row. Values from different groups can be ORed

Table 85. Protocol options. Groups are separated by empty rows.

Value	Description
0x80000000	Ethernet Broadcast
0x40000000	Ethernet Multicast
0x20000000	Stacked VLAN
0x10000000	Stacked MPLS
0x08000000	IPv4 Broadcast

Table 85. Protocol options. Groups are separated by empty rows....continued

Value	Description
0x04000000	IPv4 Multicast
0x02000000	Tunneled IPv4 - Unicast
0x01000000	Tunneled IPv4 - Broadcast/Multicast
0x00000008	IPV4 reassembly option. When using this option, the IPV4 Reassembly manipulation requires network environment with IPV4 header
0x00800000	IPv6 Multicast
0x00400000	Tunneled IPv6 - Unicast
0x00200000	Tunneled IPv6 - Multicast
0x00000004	IPV6 reassembly option. When using this option, the IPV6 Reassembly manipulation requires network environment with IPV6 header. In case where fragment found, the fragment-extension offset may be found at 'shim2' (in parser-result).
0x00000008	CAPWAP reassembly option. When using this option, the CAPWAP Reassembly manipulation requires network environment with CAPWAP header. In case where fragment found, the fragment-extension offset may be found at 'shim2' (in parser-result).

### 7.2.6.12.9.2 protocols and protocolref Example

```

<!-- The example demonstrates the case in which -->
<!-- frame queue ID calculation is done using Ethernet header fields, -->
<!-- but the condition for matching a frame to this distribution is -->
<!-- extended by also requiring the presence of a UDP protocol header -->
<distribution name="eth_dist">
 <protocols>
 <protocolref name="udp" opt="0x00000008"/>
 </protocols>
 <queue count="0x400" base="0x810000"/>
 <key>
 <fieldref name="ethernet.src"/>
 <fieldref name="ethernet.dst"/>
 </key>
</distribution>

```

### 7.2.6.12.10 The combine element

The 'combine' element (like the 'key' element) is used in a 'distribution' element's frame queue ID calculation. The value built by the 'key' element is hashed, but the value of the 'combine' element is directly bitwised OR'd with the previous 24-bit FQID result.

A single 'combine' element identifies just One-byte to retrieve and OR. To work around this limitation, you can have multiple 'combine' elements in a 'distribution' element.

7.2.6.12.10.1 combine Attribute Definitions

Table 86. combine Attribute Definitions

Attribute	Requirement	Description
portid	required (in absence of frame attribute)	Valid values: true or false If true, this attribute indicates that the logical port ID byte specified in the Configuration file should be retrieved and used in the bitwise OR part of a distribution's FQID calculation. <i>Note that portid and frame are mutually exclusive attributes.</i>
frame	required (in absence of portid attribute)	Valid values: numeric string This attribute identifies the byte with the frame header to extract and use in the bitwise OR part of the FQID calculation. The attribute's value indicates the bit offset from the beginning of the frame. The specified value must be divisible by 8, so it references the first bit of a byte. <i>Note that portid and frame are mutually exclusive attributes.</i>
offset	optional	This attribute controls the placement of the extracted data in the result Frame Queue ID. The offset starts at the FQID's most significant bit.
mask	optional	This attribute defines valid bits in the retrieved value. The extracted value is bitwise ANDed with the mask prior to being ORed with the previous Frame Queue ID value.

7.2.6.12.10.2 combine Example

```
<distribution name="eth_dist">
 <queue count="0x400" base="0x810000"/>
 <key>
 <fieldref name="ethernet.src"/>
 <fieldref name="ethernet.dst"/>
 </key>
 <combine portid="true" offset="10" mask="0xFF"/>
 <combine frame="64" offset="2" mask="0xFF"/>
 <action type="classification" name="eth_dest_clsif"/>
</distribution>
```

7.2.6.12.11 The action element (for use in a policy file)

The 'action' element permits you to establish a topological parse, classify, police, distribute configuration by defining the next processing element within a distribution, classification, or policer profile.

If there is no 'action' element within a distribution, classification, or policer profile, the default behavior is the completion of PCD frame processing, allowing the frame to leave the Frame Manager. Some hardware restrictions apply in the choice of the next processing element.

7.2.6.12.11.1 action Attribute Definitions

Table 87. action Attribute Definitions

Attribute	Requirement	Description
type	required	The type of the 'action' element defines the next processing element. Valid values are: <ul style="list-style-type: none"> <li>"distribution"</li> <li>"classification"</li> <li>"policer"</li> </ul>

Table 87. action Attribute Definitions ...continued

Attribute	Requirement	Description
		<ul style="list-style-type: none"> <li>"drop" (Permitted only when the 'action' element is inside a 'policer' element.)</li> </ul>
name	required	The name of the element of the type defined in the 'type' attribute. This attribute is not relevant if type is "drop".
condition	required (when used within a 'policer' element) optional (when used within a 'distribution' or 'classification' element)	This attribute defines the condition under which the 'action' is to be taken. This attribute is only relevant when used inside a 'policer' or a 'classification' element. Valid values are: <ul style="list-style-type: none"> <li>"on-green"</li> <li>"on-yellow"</li> <li>"on-red"</li> <li>"on-miss"</li> </ul>

7.2.6.12.11.2 Statistics

Attribute 'statistics' for action element of the classification and classification entries. This tells if statistics are made on that entry or on the on-miss.

Table 88. 'statistics' Element Attributes:

Attribute	Requirement	Description
statistics	optional	Enable statistics for a particular action. Possible values are: <ul style="list-style-type: none"> <li>enable/yes/true – to enable it.</li> <li>disable</li> </ul>

7.2.6.12.11.3 action Example

```

<distribution name="special_dist">
 <queue count="1" base="0xABCD"/>
 <action type="policer" name="policer2"/>
</distribution>
<policer name="policer2">
 <algorithm>rfc2698</algorithm>
 <color_mode>color_aware</color_mode>
 <CIR>1000000</CIR>
 <EIR>1400000</EIR>
 <CBS>1000000</CBS>
 <EBS>1400000</EBS>
 <unit>packet</unit>
 <action condition="on-green" type="distribution" name="special2_dist"/>
 <action condition="on-yellow" type="drop"/>
 <action condition="on-red" type="drop"/>
</policer>

```

7.2.6.12.12 The classification element

The 'classification' element allows exact match frame processing.

A classification starts with a 'classification' element, which is a container for these child elements:

- A 'key' element that defines the header fields (in protocol.field form) to use in the exact match operation

- One or more 'entry' elements, each of which defines a value to which the specified fields are compared and a 'queue' and/or 'action' element that defines what to do with the frame upon a match
- An optional 'action' element that defines the default action to take if none of the exact match conditions are met

7.2.6.12.12.1 classification Attribute Definitions

Table 89. classification Attribute Definitions

Attribute	Requirement	Description
name	required	The name of the classification

7.2.6.12.12.2 classification Statistics

The statistics are enabled on the Classification element. The parameters to set up the statistics are: - the attribute **statistics** of the element **classification**, the attribute **statistics** of the actions on entries/on-miss and the element **framelength** with attributes **index** and **value**.

Attribute 'statistics' for classification – this specifies the type of statistic used in the entire classification

Table 90. 'statistics' Element Attributes:

Attribute	Requirement	Description
statistics	optional	Choose statistic mode for the particular entry. Possible values are: <ul style="list-style-type: none"> <li>• none</li> <li>• frame</li> <li>• byteframe</li> <li>• rmon</li> </ul>

7.2.6.12.12.3 classification Example

```
<classification name="eth_dest_clsif">
 <key>
 <fieldref name="ethernet.dst"/>
 </key>
 <entry>
 <data>0x1234567890AB1234567890AB</data>
 <queue base="0x550000"/>
 </entry>
 <entry>
 <data>0xFFFFFFFFFFFFFFFFFFFFFFFF</data>
 <action type="classification" name="eth_dest_2_clsif"/>
 </entry>
 <action condition="on-miss" type="distribution" name="default_dist"/>
</classification>
```

7.2.6.12.12.4 Frame Replicators

The element **replicator** is implemented in FMC as a standalone entity.

This element can follow a Classification in the flow, as a target for one of the actions of the entries or on the on-miss. It is similar to Classification but it has no data/mask in entries, on-miss action and key element.



Table 91. 'fragmentation' Element Attributes:

Attribute	Requirement	Description
name	required	Name of the element. The name is used to refer the frame replicator.
max	optional	The maximum number of entries the frame replicator can have (default and minimum is 2). If the value entered is smaller than 2 or the attribute is not set, the value is set to 2.

The element **entry** has the same syntax as the element **classification**, but the data and mask are not needed and therefore are ignored. The action targets of the entry are restricted to:

- policer
- enqueue
- direct distribution

replicator example:

```
<replicator name="frep_1" max="32">
 <entry>
 <action type="policer" name="policer_1"/>
 </entry>
 <entry>
 <queue base="0x0"/>
 <action type="distribution" name="dist_1"/>
 </entry>
 <entry>
 <queue base="0x220"/>
 <vsp name="vsp01"/>
 </entry>
 <entry>
 <queue base="0x240"/>
 <vsp base="2"/>
 </entry>
</replicator>
```

Using the frame replicator in an action:

```
<classification name="class_1" max="0" masks="yes">
 <key>
 <fieldref name="ethernet.type"/>
 </key>
 <entry>
 <data>0x8870</data>
 <queue base="0x01"/>
 <action type="replicator" name="frep_1"/>
 </entry>
 <action condition="on-miss" type="replicator" name="frep_1"/>
</classification>
```

### 7.2.6.12.12.5 framelength Statistics

Element **framelength** attributes (there can be up to 10 values set, in ascending order and last one must be 0xFFFF). The element **framelength** is valid only for RMON statistics.

Table 92. 'framelength' Element Attributes:

Attribute	Requirement	Description
statistics	required	The index for the frame length value specified. Possible values are from 0 to 9.
value	required	The value to be added at the specified index. Maximum value is 0xFFFF and must be added at index 9. (FMC sets it initially by default).

### 7.2.6.12.12.6 Statistics Example

#### Statistics Example

```
<!-- Coarse classification -->
<classification name="classif_1" max="32" masks="yes" statistics="rmon">
 <!-- Key value to be extracted from the packet -->
 <key>
 <fieldref name="ipv4.dst"/>
 </key>
 <framelength index="0" value="0x1100"/>
 <framelength index="1" value="0x1200"/>
 <framelength index="2" value="0x1300"/>
 <framelength index="3" value="0x1400"/>
 <framelength index="4" value="0x1500"/>
 <framelength index="5" value="0x1600"/>
 <framelength index="6" value="0x1700"/>
 <framelength index="7" value="0x1800"/>
 <framelength index="8" value="0x1900"/>
 <framelength index="9" value="0xFFFF"/>
 <!-- Entries in the lookup table -->
 <entry>
 <!-- 192.168.10.10 -->
 <data>0xC0A80A0A</data>
 <queue base="0x1010"/>
 <action statistics="enable"/>
 </entry>
</classification>
```

### 7.2.6.12.12.7 Coarse Classification Resource Reservation

FMD API changes allow pre-allocation of MURAM memory for classification tables. This will be reflected in NetPCD XML syntax extension by introducing attributes **max** and **masks** of the element **classification** as shown in the example below. In addition, to allow proper order of PCD elements initialization, and for the condition that not all **entry** elements are known at initialization time, the XML element **may-use** is introduced:

```
<!-- Coarse classification -->
<classification name="classif_1" max="32" masks="yes" statistics="mode">
 <!-- Key value to be extracted from the packet -->
 <key>
 <fieldref name="ipv4.dst"/>
 </key>
 <may-use>
 <action type="classification" name="fman_test_classif_1"/>
 <action type="distribution" name="default_dist"/>
 </may-use>
 <!-- Entries in the lookup table -->
 <entry>
```

```
<!-- 192.168.10.10 -->
<data>0xC0A80A0A</data>
<queue base="0x1010"/>
</entry>
</classification>
```

Resource Allocation Attributes:

Table 93. Resource Reservation Attributes:

Attribute	Requirement	Description
max	optional	If it exists, this parameter defines the maximum number of coarse classification entries allocated for this PCD element. <b>Note:</b> The element <b>classification</b> may still contain pre-initialized entries, or, alternatively, be empty. <b>Note:</b> For the case of empty or partially initialized element <b>classification</b> , usage of the element <b>may-use</b> might be required .
masks	optional	If provided, indicates that MURAM allocation should be done with the assumption that additional memory is required for an elements' masks. Possible values are: <ul style="list-style-type: none"> <li>no – don't allocate memory for masks (default)</li> <li>yes – allocate memory for masks.</li> </ul>

'may-use' Element Description:

Table 94. 'may-use' Element Attributes:

Attribute	Requirement	Description
may-use	optional	Contains list of 'action' elements that may appear in the 'classification' entries or, be applied dynamically after partial initial configuration. <b>Note:</b> Attention: the use of this element is required if initial 'classification' is empty and dynamic entries, added through FMD API, use those PCD entities

### 7.2.6.12.13 The entry element

The 'entry' element defines the value to use in an exact match comparison with the fields specified by the 'key' element in a classification and the action to be taken upon a match.

An 'entry' element contains a 'data' element which, in turn, contains a numeric value written in hexadecimal form (that is, with a "0x" prefix). The data length of this value is determined by length of the set of 'key' fields.

In addition to the 'data' element, each 'entry' element may also contain these elements:

- queue - causes the frame to be placed on the specified queue
- action - passes the frame to the specified element within the Policy file for further processing.
- mask - a value in hexadecimal format that is applied to the data element

#### 7.2.6.12.13.1 entry Attribute Definitions

Table 95. entry Attribute Definitions

Attribute	Requirement	Description
none	n/a	n/a

7.2.6.12.13.2 entry Example

```
<classification name="eth_dest_clsif">
 <key>
 <fieldref name="ethernet.dst"/>
 </key>
 <entry>
 <data>0x1234567890AB1234567890AB</data>
 <queue base="0x550000"/>
 </entry>
</classification>
```

7.2.6.12.14 The policer element

The 'policer' element is a container whose child elements define a policer profile that performs network bandwidth management.

7.2.6.12.14.1 policer Attribute Definitions

Table 96. policer Attribute Definitions

Attribute	Requirement	Description
name	required	Name of the policer profile.
algorithm	required	Algorithm used for policing. Valid values: "rfc2698", "rfc4115", "pass_through".
color_mode	required	Color mode used for policing. Valid values: "color_aware", "color_blind".
default_color	optional	Use when algorithm is "pass_through" and color_mode is "color_blind". In this mode, the policer recolors incoming packets with the specified default color. Valid values: "red", "yellow", "green", or "override". If the value is override, the next invoked action is that specified for "green". The default value is "green".
unit	required	The unit to be used for numeric parameters. Valid values: "packet", "byte".
CIR	required	Committed information rate <sup>[1][1]</sup>
PIR	required	Peak (or excess) information rate <sup>[1]</sup>
CBS	required	Committed burst size <sup>[2][2]</sup>
PBS	required	Peak (or excess) burst size <sup>[2]</sup>

[1] If "unit" attribute is "packet" specify CIR and PIR in packets/second. If "unit" attribute is "byte" specify CIR and PIR in Kbits/second.

[2] If "unit" attribute is "packet" specify CBS and PBS in packets. If "unit" attribute is "byte" specify CBS and PBS in bytes.

7.2.6.12.14.2 policer Example

```
<policer name="policer2">
 <algorithm>rfc2698</algorithm>
 <color_mode>color_aware</color_mode>
 <CIR>1000000</CIR>
 <EIR>1400000</EIR>
 <CBS>1000000</CBS>
 <EBS>1400000</EBS>
 <unit>packet</unit>
 <action condition="on-green" type="distribution" name="default_dist"/>
```

```
<action condition="on-yellow" type="distribution" name="special2_dist"/>
<action condition="on-red" type="drop"/>
</policer>
```

**7.2.6.12.15 The nonheader element**

Use the 'nonheader' element within a 'key' element to select a non-header extraction source.

**Note:** The 'nonheader' element can appear within a 'classification' element only. Further, the 'nonheader' element cannot be used at the same time as the 'fieldref' element.

**7.2.6.12.15.1 nonheader Attribute Definitions**

Table 97. nonheader Attribute Definitions

Attribute	Requirement	Description
source	required	Non-header extraction source Valid values are: <ul style="list-style-type: none"> <li>"frame_start" - Extract from beginning of frame.</li> <li>"key" - Extract from key value built by 'distribution' at preceding step (CC only).</li> <li>"hash" - Extract from hash value built by 'distribution' at preceding step (CC only).</li> <li>"parser" - Extract from parse result array.</li> <li>"fqid" - Use enqueue FQID as the key value.</li> <li>"flowid" - Use dequeue FQID as the key value (CC only)</li> <li>"default" - Extract from a default value (distribution only).</li> <li>"endofparse" - Extract from the point where parsing had finished (distribution only).</li> </ul>
action	Required if source is "hash", "flowid" or "key". In other cases, this attribute must not be used.	The type of action for the extraction Valid values are: <ul style="list-style-type: none"> <li>"indexed_lookup" (permitted only for "hash" and "flowid" sources). The extracted value is interpreted as an entry index of classification table</li> <li>"exact_match" (permitted only for "key" and "hash" sources). The extracted value is compared with 'key' value of the entry.</li> </ul>
offset	required	Byte offset. Offset of key from start of frame, internal frame context or parse result array. Refer "Table 8-398. Table Descriptor (Type = 01)" of DPAA Reference Manual for full description and possible values
size	required	Size of the key in bytes.
ic_index_mask	Optional (Valid only if action is "indexed_lookup")	Internal context index mask. For the full description and possible values, refer "Table 8-399. Operation Code Description" of DPAA Reference Manual

If the action is "indexed\_lookup" and the source is "hash", special checks are done in the drivers on the configured entries and maximum number of entries according to the internal context index mask are specified. FMC adjusts automatically the configured entries if they don't match the provided mask. If the entry must be initialized, but the user has not supplied it, a default one is created. And, if the entry must be uninitialized, it's deleted by FMC. Also, FMC adjusts the maximum number of entries if it's not configured as 0.

**7.2.6.12.15.2 nonheader Example**



```
<classification name="ptp_condition_class">
 <key>
 <nonheader source="hash" action="indexed_lookup" offset="2" size="2"
 ic_index_mask="0x01b0">
 </key>
 <entry>
 <data>0x13F</data>
 <queue base="0x01"/>
 </entry>
</classification>
```

**7.2.6.12.16 Hash Tables**

The element 'hashtable' can be specified inside an element 'key' of a 'classification'. The element 'hashtable' cannot appear in the same time with either elements 'fieldref' or 'nonheader' in the same 'key'. If the element 'hashtable' is used, the 'classification' may have no entries as these are supposed to be filled at runtime.

**Table 98. 'fragmentation' Element Attributes:**

Attribute	Requirement	Description
mask	required	Mask that will be used on the hash-result; The number-of-sets for this hash will be calculated as (2^(number of bits set in 'mask ')); The 4 lower bits must be cleared.
hashshift	optional	Byte offset from the beginning of the KeyGen hash result to the 2 bytes to be used as hash index.(Default 0)
keysize	required	Size of the exact match keys held by the hash buckets.

Hash table example:

```
<classification name="classif_1" max="2" statistics="none">
 <key>
 <hashtable mask="0x30" hashshift="0" keysize="24"/>
 </key>
</classification>
```

**7.2.6.12.17 Virtual Storage Profiles Element**

The element 'vsp' (Virtual Storage Profile) is implemented in FMC as a standalone entity or can be defined directly in the element that uses it. The element 'vsp' can be used inside distributions, classification and entries (both classification and replicator). When used directly in the 'classification' element (not in 'entry') it counts for the on-miss action. If the 'action' of the 'entry' or on-miss goes to another 'classification' or 'replicator' the 'vsp' is ignored.

**7.2.6.12.17.1 vsp Attributes**

**Table 99. 'vsp' Element Attributes:**

Attribute	Requirement	Description
name	required	Name of the element. The name is used to refer the virtual storage profile inside the elements that are using it.
type	optional	The type of the VSP. Values: <ul style="list-style-type: none"> <li>direct – (default) the relative profile ID is selected directly by the 'base' attribute.</li> </ul>

Table 99. 'vsp' Element Attributes:....continued

Attribute	Requirement	Description
		<ul style="list-style-type: none"> <li>indirect – the relative profile ID is selected base on the attributes <b>fqshift</b>, <b>vspoffset</b>, and <b>vspcount</b> can be used only in <b>distribution</b>.</li> </ul>
base	required for direct.	--
fqshift	required for indirect.	Shift of KeyGen results without the FQID base.
vspoffset	optional for indirect	OR of KeyGen results without the FQID base; should indicate the storage profile offset within the port's storage profiles window.
vspcount	optional for indirect	Range of profiles starting at base.

### 7.2.6.12.17.2 vsp Examples

VSP examples (standalone, defined in element, direct/indirect): The action targets of the entry are restricted to:

```

<vsp name = "storage01" base = "6"/>
<vsp name = "storage02" type = "indirect" fqshift="2" vspoffset="3"
 vspcount="8"/>
<vsp name = "storage03" type = "direct" base = "7"/>
Usage:
...
<entry>
 <queue base="0x220"/>
 <vsp name="storage01">
</entry>
...
<distribution name="dist1">
 ...
 <queue count="8" base="0x230"/>
 <vsp type="indirect" fqshift="2" vspoffset="0" vspcount="4"/>
 ...
</distribution>
...
<classification name="eth_dest_clsif">
 <key>
 <fieldref name="ethernet.dst"/>
 </key>
 ...
 <vsp name="storage03">
 <action condition="on-miss" type="distribution" name="garbage"/>
</classification>

```

### 7.2.6.12.18 Manipulation Parameters

Frame Manager accelerator (FMan) attaches manipulation actions as an extension to Ethernet port and coarse classification 'next engine' dispatch activity.

To reflect the frame data processing and manipulation capabilities of the hardware, which are propagated through Frame Manager Driver (FMD) API, Frame Manager Configuration (FMC) Tool extends the syntax of the NetPCD configuration language by introducing XML entities described in this document.

Manipulation entities are diverse in their purpose and configuration parameters sets. The same manipulation entity can be referred, or attached, from/to several port or classification actions. That is why they are separated

from their usage into a separate group called **manipulations**. At the moment of use, an action refers to the corresponding manipulation entity. For example:

```
<netpcd>
 <manipulations>
 <reassembly name="name1">

 </reassembly>
 <reassembly name="name2">

 </reassembly>
 <fragmentation name="defrag1">

 </fragmentation>
 </manipulations>
 <classification name="clsf1">

 <!-- 192.168.30.30 -->
 <data>0xC0A81E1E</data>
 <fragmentation name="defrag1"/>

 </classification>
</netpcd>
```

**Formal Definition:**

XML element **manipulation** is a container for all types of manipulation algorithms. Configuration for each algorithm has its own XML element name.

Currently three manipulations algorithms are available:

1. IP reassembly
2. IP fragmentation
3. header manipulation

Parameters for these entities are described next.

**7.2.6.12.18.1 IP Fragmentation**

XML element **fragmentation** is a container for parameters necessary for configuration of the corresponding action modification. The element, if exists, can be used as a child of element **classification**.

Attention: If element **fragmentation** is present together with other 'action' of 'classification' element, the element **fragmentation** is ignored. This is a subject of FMan firmware capabilities and may change in future.

**Table 100. 'fragmentation' Element Attributes:**

Attribute	Requirement	Description
name	required	Name of the element. The name is used to refer the manipulation algorithm.

**Table 101. 'fragmentation' Child Elements:**

Attribute	Requirement	Description
size	required	IP fragmentation will be executed for frames with length greater than this value.



Table 101. 'fragmentation' Child Elements:....continued

Attribute	Requirement	Description
dontFragAction	optional	If an IP packet is larger than MTU and its DF bit is set, then this field will determine the action to be taken. Possible values are: <ul style="list-style-type: none"> <li>• discard - the packet (default action)</li> <li>• fragment – fragment the packet and continue normal processing</li> <li>• continue - continue normal processing without fragmenting the packet</li> </ul>
scratchBpid	required for existing HW platforms, but not for 9164	Absolute buffer pool id according to BM configuration (DPAA 1.0 only)
sgBpid	optional	Scatter/Gather buffer pool id. If used sgBpidEn will be set to TRUE.
optionsCounterEn	optional	Enables the counter if the value is set to 'yes', 'true' or 'enable'. Disabled for other values. Default is disabled.

Here is an example of possible IP fragmentation definition:

```
<manipulations>
 <fragmentation name="frag1">
 <size>256</size>
 <dontFragAction>continue</dontFragAction>
 </fragmentation>
</manipulations>
<classification name="clsf1">

 <!-- 192.168.30.30 -->
 <data>0xC0A81E1E</data>
 <fragmentation name="frag1"/>

</classification>
```

7.2.6.12.18.2 IP Reassembly

XML element **reassembly** is a container for parameters necessary for configuration of the corresponding action modification. The element, if it exists, can be used as a child of the element **policy**.

Attention: Up to 2 additional KeyGen schemes will be constructed when using this manipulation action. Custom protocol **shim2** is reserved when element **reassembly** participates in a configuration.

Table 102. 'reassembly' Element Attributes:

Attribute	Requirement	Description
Name	required	Name of the element. The name is used to refer the manipulation algorithm

Table 103. 'reassembly' Child Elements:

Attribute	Requirement	Description
sgBpid	required	Absolute buffer pool id according to BM configuration for scatter-gather (DPAA 1.0 only)
maxInProcess	required	Number of frames which can be processed by reassembly at the same time. It has to be power of 2
dataLiodnOffset	optional	Offset of LIODN. Default value is 0

Table 103. 'reassembly' Child Elements:...continued

Attribute	Requirement	Description
dataMemId	optional	Memory partition ID for data buffers
ipv4minFragSize	required	Minimum fragmentation size for IPv4
ipv6minFragSize	required	EMinimum fragmentation size for IPv6. The value must be equal or higher than 256
timeOutMode	optional	Expiration delay initialized by Reassembly process. Possible values are: <ul style="list-style-type: none"> <li>• frame - limits the time of the reassembly process from the first fragment to the last (default)</li> <li>• fragment - limits the time of receiving the fragment</li> </ul>
fqidForTimeOutFrames	required	FQID to assign for frames enqueued during Time Out Process.
numOfFramesPerHashEntry (numOfFramesPerHashEntry1)	required	Number of frames per hash entry needed for reassembly process – for ipv4. Possible values are: numeric values from 1 to 8.
numOfFramesPerHashEntry2	optional	Number of frames per hash entry needed for reassembly process – for ipv6. Possible values are: numeric values from 1 to 6.
timeoutThreshold	required	Represents the time interval in micro seconds which defines if opened frame (at least one fragment was processed but not all the fragments)is found as too old
nonConsistentSpFqid	optional	Handles the case when other fragments of the frame correspond to a different storage profile than the opening fragment. (DPAA >= 1.1 only). Default is 0

Here is an example of possible IP reassembly definition:

```
<manipulations>
 <reassembly name="reasm1">
 <sgBpid>2</sgBpid>
 <maxInProcess>1024</maxInProcess>
 <timeOutMode>fragment</timeOutMode>
 <fqidForTimeOutFrames>1024</fqidForTimeOutFrames>
 <numOfFramesPerHashEntry>8</numOfFramesPerHashEntry>
 <timeoutThreshold>1000000</timeoutThreshold>
 <ipv4minFragSize>0</ipv4minFragSize>
 <ipv6minFragSize>256</ipv6minFragSize>
 </reassembly>
</manipulations>
<policy name="udp_port">
 <dist_order>
 <distributionref name="custom_dist"/>
 <distributionref name="udp_port_dist"/>
 <distributionref name="default_dist"/>
 </dist_order>
 <reassembly name="reasm1"/>
</policy>
```

7.2.6.12.18.3 Header Manipulation

XML element **header** is a container for parameters necessary for configuration of the corresponding action modification. The element, if it exists, can be used as parameter to the distribution action going to a classification or inside a classification element **entry**.

The XML element **header** may contain:

- **insert**
- **remove**
- **insert\_header**
- **remove\_header**
- **update**
- **custom**

Certain combinations between them are possible, for example you can have a **remove** and an **insert\_header** in the same manipulation.

The header manipulation can be used inside the PCD by inserting an element **header** in the classification entry that specifies the name of the header manipulation defined in the section **manipulations**. This makes sense in an entry that goes to a policer, distribution or PCD done:

```
<entry>
 <data>0x9100</data>
 <queue base="0x01"/>
 <action type="policer" name="plcr_01"/>
 <header name="upd_hdr"/>
</entry>
```

Table 104. 'header' Element Attributes:

Attribute	Requirement	Description
name	required	Name of the element. The name is used to refer the manipulation algorithm
parse	optional	Activate the parser a second time after completing the manipulation of the frame (if 'yes')
duplicate	optional	Will duplicate the header manipulation with the same setting a the specified number of times. The names of the nodes will have "_x" added at the end where x is the index of the node. For example <header name="upd_ipv4" duplicate="3"> will create the nodes: upd_ipv4_1, upd_ipv4_2 and upd_ipv4_3. This is only a simple tool to duplicate a header manipulation, it does not allow defining chaining between the elements created by duplication.

Header Manipulation - Insert

XML element **insert** is a container for parameters necessary to configure a header insert manipulation operation. The element, if it exists, can be used as a child of element **header**. There can be only one element **insert** in a header manipulation.

Table 105. 'insert' Child Elements:

Element	Requirement	Description
size	required	Size of inserted section
offset	required	Offset from beginning of header to the start location of the insertion.

Table 105. 'insert' Child Elements:....continued

Element	Requirement	Description
replace	optional	If provided, specifies to override (replace) existing data at 'offset' (if 'yes'), 'no' to insert. Possible values: <ul style="list-style-type: none"> <li>no - insert (default)</li> <li>yes - replace</li> </ul>
data	required	Data to insert

### Header Manipulation - Remove

XML element **remove** is a container for parameters necessary to configure a header remove manipulation operation. The element, if it exists can be used as a child of element **header**. There can only be one element **remove** in a header manipulation.

Table 106. 'remove' Child Elements:

Element	Requirement	Description
size	required	Size of removed section
offset	required	Offset from beginning of header to the start location of the removal.

### Header Manipulation - Insert-Header

XML element **insert\_header** is a container for parameters necessary to configure a header insert manipulation operation of an entire header (different than generic element **insert**). The element **insert\_header**, if it exists, can be used as a child of element **header**. With some restrictions, there can be more than one element **insert\_header** in one header manipulation

Table 107. 'insert\_header' Element Attributes

Element	Requirement	Description
type	required	The type of the header inserted. Only 'mpls' is valid at this time.
header_index	optional	The header index of the header has possible values "1" and "2". The restrictions on this attribute are: <ul style="list-style-type: none"> <li>if the value is '2' an 'insert_header' with 'header_index' 1 must be present in the header manipulation.</li> <li>a value of <b>header_index</b> can be used only once per header manipulation</li> </ul>

Table 108. 'insert\_header' Child Elements

Element	Requirement	Description
data	optional	The data of the header to be inserted.
replace	optional	If provided, specifies to override (replace) existing data (if 'yes'), 'no' to insert.

**insert\_header** example:

```
<header name="insert_2_12">
 <insert_header type="mpls" header_index="1">
 <data>0x00000048</data>
 </insert_header>
 <insert_header type="mpls" header_index="2">
```

```
<data>0x00000048</data>
</insert_header>
</header>
```

**Header Manipulation - Remove\_Header**

XML element **remove\_header** is a container for parameters necessary to configure a header remove manipulation operation of an entire header (different than element **remove** that is a generic one). The element, if it exists, can be used as a child of element **header**. There can be only one instance of element **remove\_header** in a manipulation and it cannot appear in the same time with the generic **remove**.

Table 109. 'remove\_header' Child Elements

Element	Requirement	Description
type	required	The type of the header remove. Possible values: <ul style="list-style-type: none"> <li>• "qtags"</li> <li>• "mpls"</li> <li>• "ethmpls (or "ethernet_mpls")"</li> <li>• "eth" (or "ethernet")"</li> </ul>

**remove\_header** example:

```
<header name="remove_12">
 <remove_header type="qtags"/>
</header>
```

**Header Manipulation - Update**

XML element **update** is a container for parameters necessary to configure a header update manipulation. The element if exists can be used as a child of element **header**. There can be only one update in a header manipulation.

update Element Attributes:

Table 110. 'remove\_header' Child Elements

Element	Requirement	Description
type	required	The type of the update. Possible values: <ul style="list-style-type: none"> <li>• "vlan"</li> <li>• "ipv4"</li> <li>• "ipv6"</li> <li>• "tcpudp"</li> </ul>

update Child Elements:

Table 111. 'remove\_header' Child Elements

Element	Requirement	Description
field	required	Specifies the field to be updated. There must be at least one inside an update. For some types of updates the field element can appear multiple times.

Field Element Attributes:

Table 112. 'remove\_header' Child Elements

Element	Requirement	Description
type	required	The type of the header remove. Possible values: <ul style="list-style-type: none"> <li>• for 'vlan'                             <ul style="list-style-type: none"> <li>– dscp - DSCP to VLAN priority bits translation.</li> <li>– vpri - Replace VPri of outer most VLAN tag .</li> </ul> </li> <li>• for 'ipv4'                             <ul style="list-style-type: none"> <li>– tos - update TOS with the given value.</li> <li>– id - update IP ID with the new 16-bit given value.</li> <li>– ttl - Decrement TTL by 1.</li> <li>– src - update IP source address with the given value.</li> <li>– dst - update IP destination address with the given value.</li> </ul> </li> <li>• for 'ipv6'                             <ul style="list-style-type: none"> <li>– tc - update Traffic Class address with the given value.</li> <li>– hl - Decrement Hop Limit by 1.</li> <li>– src - update IP source address with the given value.</li> <li>– dst - update IP destination address with the given value.</li> </ul> </li> <li>• for 'tcpudp'                             <ul style="list-style-type: none"> <li>– checksum - update TCP/UDP checksum.</li> <li>– src - update TCP/UDP source address with the given value.</li> <li>– dst - update TCP/UDP destination address with the given value.</li> </ul> </li> </ul>
value	optional	The value used for the update. It is not valid for: <ul style="list-style-type: none"> <li>• hl</li> <li>• ttl</li> <li>• checksum</li> </ul>
fill	optional	Only valid for <b>dscp</b> - fills the entire array with the given value. The fill is performed before the other <b>dscp</b> operations.
index	optional	Only valid for <b>dscp</b> . Specifies the index in the array where that value is set. The index starts from 0.

'update' Example:

```

<header name="upd_checksum">
 <update type = "tcpudp">
 <field type="checksum"/>
 </update>
</header>
<header name="upd_ipv4src">
 <update type = "ipv4">
 <field type="src" value="0xC0A80101"/>
 </update>
</header>
<header name="upd_vpri">
 <update type = "vlan">
 <field type="dscp" fill="yes" value="4"/>
 <field type="dscp" index="20" value="2"/>
 <!--...-->
 <field type="dscp" index="30" value="2"/>
 </update>
</header>

```

### Header Manipulation - Custom

XML element **custom** is a container for parameters necessary to configure custom header manipulation. The custom header manipulation supported by the drivers is now custom IP replace, and allows changing between ipv4 and ipv6.

#### 'custom' Element Attributes

Table 113. 'custom' Element Attributes:

Element	Requirement	Description
type	required	The type of the custom header manipulation. Possible values are: <ul style="list-style-type: none"> <li>• "ipv4byipv6" (or just "ipv4") – Replaces ipv4 by ipv6.</li> <li>• "ipv6byipv4" (or just "ipv6") – Replaces ipv6 by ipv4.</li> </ul>

#### 'custom' Child Elements

Table 114. nextmanip Element Attributes:

Element	Requirement	Description
size	required	Size of the header to be inserted. (max is 256)
data	required	The header data to be inserted.
decttl	optional	Decrement TTL by 1 (ipv4). Possible values: <ul style="list-style-type: none"> <li>• "yes"</li> <li>• "no"</li> </ul>
dechl	optional	Decrement Hop Limit by 1 (ipv6). Possible values: <ul style="list-style-type: none"> <li>• "yes"</li> <li>• "no"</li> </ul>
ip (or 'ipid')	optional	16-bit New IP ID (ipv4)

#### 'custom' Example:

```
<header name="custom_ex">
 <custom type="ipv6byipv4">
 <decttl>yes</decttl>
 <id>1</id>
 <size>0x20</size>
 <data>0x450000001234000000100001011121314151617</data>
 </custom>
</header>
```

### Header Manipulation - Nextmanip

XML element **nextmanip** Can be used to set up cascading header manipulations. It relates to the header manipulation element and not subelements (insert, remove, and update).

Table 115. Nextmanip element attributes

Element	Requirement	Description
name	required	The name of the next header manipulation

## Header Manipulation - Example

Here is a general example of possible header manipulation definition:

```
<manipulations>
 <header name="ins_rmv" parse="yes">
 <insert>
 <size>14</size>
 <offset>0</offset>
 <data>0x0102030405061112131415168100</data>
 </insert>
 <remove>
 <size>14</size>
 <offset>0</offset>
 </remove>
 </header>
 <header name="vpri_update">
 <update type="vlan">
 <field type="vpri" fill="yes" value="0"/>
 </update>
 </header>
 <header name="ins_vlan" parse="no">
 <insert>
 <size>4</size>
 <offset>12</offset>
 <data>0x81004416</data>
 </insert>
 <nextmanip name="vpri_update"/>
 </header>
</manipulations>
<classification name="clsf_1" max="0" masks="yes" statistics="none">
 <key>
 <fieldref name="ethernet.type"/>
 </key>
 <entry>
 <data>0x8847</data>
 <queue base="0x01"/>
 <action type="policer" name="plcr_1"/>
 <header name="ins_vlan"/>
 </entry>
 <entry>
 <data>0x8848</data>
 <queue base="0x02"/>
 <header name="ins_rmv"/>
 </entry>
</classification>
```

### 7.2.6.13 Standard Protocol File - Excerpt

The SDK includes a file called the Standard Protocol file. This file uses the NetPDL (Network Protocol Description Language) XML dialect to define the fields in each standard protocol header that the FMC can parse with its Hard Parser. In addition, for each protocol, the NetPDL statement define the actions the Hard Parser should take upon encountering this protocol header in the frame window.

For this reason, the SDK includes a copy of the Standard Protocol file here: `/etc/fmc/config/hxs_pdl_v3.xml`. In addition, to give you an idea what the file is like, a small portion is shown below.

```
<?xml version="1.0" encoding="utf-8"?>
```



```

<netpdl name="nbee.org NetPDL Database"
 version="0.2" creator="nbee.org" date="28-05-2008">
<!-- This file is for reference only. -->
<!-- It describes the protocols and fields supported by the FMan's Hard Parser--
>
<!--
NetPDL description of the Ethernet Protocol
-->
<protocol name="ethernet" longname="Ethernet 802.3"
 comment="Ethernet DIX has been included in 802.3" showsumtemplate="ethernet">
<execute-code>
 <!-- If we're on Ethernet IEEE 802.3, update the packet length -->
 <after when="buf2int(type) le 1500">
 <assign-variable name="$packetlength" value="buf2int(type) + 14"/>
 <!-- 14 is the size of the ethernet header -->
 </after>
</execute-code>
<format>
 <fields>
 <field type="fixed" name="dst" longname="MAC Destination" size="6"
 showtemplate="MACAddressEth"/>
 <field type="fixed" name="src" longname="MAC Source" size="6"
 showtemplate="MACAddressEth"/>
 <field type="fixed" name="type" longname="Ethertype - Length" size="2"
 </fields>
</format>
<encapsulation>
 <!-- We have four possible encapsulations for IPX:
 - Ethernet version II
 ==> type= 0x8137
 - Novell-specific framing (raw 802.3)
 ==> directly in Ethernet; check that IPX checksum is == 0xFFFF
 - Ethernet 802.3/802.2 without SNAP
 ==> directly in SNAP; check that IPX checksum is == 0xFFFF (after SNAP
hdr)
 - Ethernet 802.3/802.2 with SNAP
 ==> type= 0x8137 (in SNAP)
 See the "IPX Ethernet and FDDI Encapsulation Methods" Cisco doc, at:
 http://www.cisco.com/en/US/tech/tk389/tk224/
 technologies_q_and_a_item09186a0080093d2e.shtml
 -->
<if expr="buf2int($packet[$currentoffset:2]) == 0xFFFF">
 <if-true>
 <nextproto proto="#ipx"/>
 </if-true>
</if>
<switch expr="buf2int(type)">
 <case value="0" maxvalue="1500"> <nextproto proto="#llc"/> </case>
 <case value="0x800"> <nextproto proto="#ip"/> </case>
 <case value="0x806"> <nextproto proto="#arp"/> </case>
 <case value="0x8863"> <nextproto proto="#pppoed"/> </case>
 <case value="0x8864"> <nextproto proto="#pppoe"/> </case>
 <case value="0x86DD"> <nextproto proto="#ipv6"/> </case>
 <case value="0x8100"> <nextproto proto="#vlan"/> </case>
 <case value="0x8137"> <nextproto proto="#ipx"/> </case>
 <case value="0x81FD"> <nextproto proto="#ismp"/> </case>
 <case value="0x8847" comment="mpls-unicast">
 <nextproto proto="#mpls"/>
 </case>
 <case value="0x8848" comment="mpls-multicast">

```

```

 <nextproto proto="#mpls"/>
 </case>
</switch>
</encapsulation>
<visualization>
 <showsumtemplate name="ethernet">
 <section name="next"/>
 <text value="Eth: "/>
 <protofield name="src" showdata="showvalue"/>
 <text value=" => "/>
 <protofield name="dst" showdata="showvalue"/>
 </showsumtemplate>
</visualization>
</protocol> <!-- End Ethernet protocol definition -->
<!--
NetPDL description of the VLAN Protocol
-->
<protocol name="vlan" longname="Virtual LAN (802.3ac)" showsumtemplate="vlan">
 <format>
 <fields>
 <block name="vlan" size="2" longname="Tag Control Information">
 <field type="bit" name="pri" longname="User Priority"
 mask="0xE000" size="2" showtemplate="FieldHex"/>
 <field type="bit" name="cfi" longname="CFI"
 mask="0x1000" size="2" showtemplate="FieldDec"/>
 <field type="bit" name="vlanid" longname="VLAN ID"
 mask="0x0FFF" size="2" showtemplate="FieldDec"/>
 </block>
 <field type="fixed" name="type" longname="Ethertype - Length"
 size="2" showtemplate="eth.typelength"/>
 </fields>
 </format>
 <encapsulation>
 <switch expr="buf2int(type)">
 <case value="0" maxvalue="1500"> <nextproto proto="#llc"/> </case>
 <case value="0x800"> <nextproto proto="#ip"/> </case>
 <case value="0x806"> <nextproto proto="#arp"/> </case>
 <case value="0x8863"> <nextproto proto="#pppoed"/> </case>
 <case value="0x8864"> <nextproto proto="#pppoe"/> </case>
 <case value="0x86DD"> <nextproto proto="#ipv6"/> </case>
 </switch>
 </encapsulation>
 <visualization>
 <showsumtemplate name="vlan">
 <text value=" (VLAN-ID "/>
 <protofield name="vlanid" showdata="showvalue"/>
 <text value=")"/>
 </showsumtemplate>
 </visualization>
</protocol> <!-- End VLAN protocol definition -->
<!-- snip - code removed ... -->
<!--
NetPDL description of the IPv6 Protocol
-->
<protocol name="ipv6" longname="IPv6 (Internet Protocol version 6)
 showsumtemplate="ipv6">
 <!-- We should check that 'version' is equal to '6' -->
 <execute-code>
 <after>

```

```

<!-- Store ipsrc and ipdst in a couple of variables for the sake of speed
-->
<!-- Hids differences between IPv4 and IPv6 for session tracking -->
<assign-variable name="$ipsrc" value="src"/>
<assign-variable name="$ipdst" value="dst"/>
<if expr="$ipsrc lt $ipdst" >
 <if-true>
 <assign-variable name="$firstip" value="src"/>
 <assign-variable name="$secondip" value="dst"/>
 </if-true>
 <if-false>
 <assign-variable name="$firstip" value="dst"/>
 <assign-variable name="$secondip" value="src"/>
 </if-false>
</if>
</after>
</execute-code>
<format>
<fields>
 <field type="bit" name="ver" longname="Version"
 mask="0xF0000000" size="4" showtemplate="FieldDec"/>
 <field type="bit" name="tos" longname="Type of service"
 mask="0x0F000000" size="4" showtemplate="FieldHex"/>
 <field type="bit" name="flabel" longname="Flow label"
 mask="0x00FFFFFF" size="4" showtemplate="FieldHex"/>
 <field type="fixed" name="plen" longname="Payload Length"
 size="2" showtemplate="FieldDec"/>
 <field type="fixed" name="nexthdr" longname="Next Header"
 size="1" showtemplate="ipv6.nexthdr"/>
 <field type="fixed" name="hop" longname="Hop limit"
 size="1" showtemplate="FieldDec"/>
 <field type="fixed" name="src" longname="Source address"
 size="16" showtemplate="ip6addr"/>
 <field type="fixed" name="dst" longname="Destination address"
 size="16" showtemplate="ip6addr"/>
 <loop type="while" expr="1">
 <!-- Loop until we find a 'break' -->
 <switch expr="buf2int(nexthdr)">
 <case value="0">
 <includeblk name="HBH"/>
 </case>
 <case value="43">
 <includeblk name="RH"/>
 </case>
 <case value="44">
 <includeblk name="FH"/>
 </case>
 <case value="51">
 <includeblk name="AH"/>
 </case>
 <case value="60">
 <includeblk name="DOH"/>
 </case>
 <default>
 <loopctrl type="break"/>
 </default>
 </switch>
 </loop>
</fields>
<block name="HBH" longname="Hop By Hop Option">

```

```

<field type="fixed" name="nexthdr" longname="Next Header"
 size="1" showtemplate="ipv6.nexthdr"/>
<field type="fixed" name="helen"
 longname="Length (multiple of 8 bytes, not including first 8)"
 size="1" showtemplate="ipv6.hbhlen"/>
<loop type="size" expr="(buf2int(helen) * 8) + 6">
 <!-- '6' because the first two bytes are nexthdr and helen -->
 <includeblk name="Option"/>
</loop>
</block>
<block name="FH" longname="Fragment Header">
 <field type="fixed" name="nexthdr" longname="Next Header"
 size="1" showtemplate="ipv6.nexthdr"/>
 <field type="fixed" name="reserved"
 longname="Reserved (multiple of 8 bytes)"
 comment="This is in multiple of 8 bytes"
 size="1" showtemplate="FieldDec"/>
 <field type="bit" name="fragment offset" longname="Fragment Offset"
 mask="0xFFF0" size="2" showtemplate="FieldDec"/>
 <field type="bit" name="res" longname="Res"
 mask="0x0004" size="2" showtemplate="FieldHex"/>
 <field type="bit" name="m" longname="M"
 mask="0x0001" size="2" showtemplate="FieldBin"/>
 <field type="fixed" name="identification"
 longname="Identification" size="4" showtemplate="FieldDec"/>
</block>
<block name="AH" longname="Authentication Header">
 <field type="fixed" name="nexthdr" longname="Next Header"
 size="1" showtemplate="ipv6.nexthdr"/>
 <field type="fixed" name="payload len" longname="Payload Len"
 size="1" showtemplate="FieldDec"/>
 <field type="fixed" name="reserved" longname="Reserved"
 size="2" showtemplate="FieldDec"/>
 <field type="fixed" name="spi" longname="Security Parameters Index"
 size="4" showtemplate="FieldDec"/>
 <field type="fixed" name="snf" longname="Sequence Number Field"
 size="4" showtemplate="FieldDec"/>
</block>
<block name="DOH" longname="Destination Option Header">
 <field type="fixed" name="nexthdr" longname="Next Header"
 size="1" showtemplate="ipv6.nexthdr"/>
 <field type="fixed" name="helen"
 longname="Length (multiple of 8 bytes, not including first 8)"
 size="1" showtemplate="ipv6.hbhlen"/>
 <loop type="size" expr="(buf2int(helen) * 8)+6">
 <!-- '6' because the first two bytes are nexthdr and helen -->
 <includeblk name="Option"/>
 </loop>
</block>
<block name="RH" longname="Routing Header">
 <field type="fixed" name="nexthdr" longname="Next Header"
 size="1" showtemplate="ipv6.nexthdr"/>
 <field type="fixed" name="hlen"
 longname="Length (multiple of 8 bytes)"
 comment="This is in multiple of 8 bytes"
 size="1" showtemplate="FieldDec"/>
 <field type="fixed" name="rtype" longname="Routing Type"
 size="1" showtemplate="FieldDec"/>
 <field type="fixed" name="segment left" longname="Segment Left"
 size="1" showtemplate="FieldDec"/>

```

```

 <field type="variable" name="tsd" longname="Type Specific Data"
 expr="buf2int(hlen)" showtemplate="Field4BytesHex"/>
 </block>
 <block name="Option" longname="Option">
 <field type="fixed" name="opttype" longname="Option Type"
 size="1" showtemplate="ipv6.opttype">
 <field type="bit" name="act"
 longname="Action (action if Option Type is unrecognized)" mask="0xC0"
 size="1" showtemplate="ipv6.optact"/>
 <field type="bit" name="chg"
 longname="Change(whether or not option data can change while packet en-
route)"
 mask="0x20" size="1" showtemplate="ipv6.optchg"/>
 <field type="bit" name="res" longname="Option Code" mask="0x1F"
 size="1" showtemplate="FieldDec"/>
 </field>
 <switch expr="buf2int(opttype)">
 <case value="0">
 <!-- No fields are present if the option is not 'Pad1'--
>
 </case>
 <case value="5"><!-- Router Alert -->
 <field type="fixed" name="optlen" longname="Option Length"
 size="1" showtemplate="FieldDec"/>
 <field type="fixed" name="value" size="2" longname="Option Value"
 showtemplate="ipv6.optroutalert"/>
 </case>
 <default>
 <field type="fixed" name="optlen" longname="Option Length"
 size="1" showtemplate="FieldDec"/>
 <field type="variable" name="optval" longname="Option Value"
 expr="buf2int(optlen)" showtemplate="Field4BytesHex"/>
 </default>
 </switch>
 </block>
</format>
<encapsulation>
 <switch expr="buf2int(nexthdr)">
 <case value="4"> <nextproto proto="#ip"/> </case>
 <case value="6"> <nextproto proto="#tcp"/> </case>
 <case value="17"> <nextproto proto="#udp"/> </case>
 <!-- <case value="29"> <nextproto proto="#TP4"/> </case> -->
 <!-- <case value="45"> <nextproto proto="#IDRP"/> </case> -->
 <case value="50"> <nextproto proto="#ipsec_esp"/> </case>
 <case value="51"> <nextproto proto="#ipsec_ah"/> </case>
 <case value="58"> <nextproto proto="#icmp6"/> </case>
 <case value="89"> <nextproto proto="#ospf6"/> </case>
 <case value="103"> <nextproto proto="#pim6"/> </case>
 </switch>
</encapsulation>
<visualization>
 <showtemplate name="ipv6.nexthdr" showtype="dec">
 <showmap>
 <switch expr="buf2int(this)">
 <case value="0" how="Hop By Hop Option Header"/>
 <case value="43" show="Fragment Header"/>
 <case value="44" show="Authentication Header"/>
 <case value="51" show="Destination Option Header"/>
 <case value="60" show="Routing Header"/>
 <case value="50" show="Encapsulating Security Payload"/>

```

```

 <case value="58" show="Internet Control Message Protocol (ICMPv6)"/>
 <case value="59" show="No next Header"/>
 <default show="Upper Layer Header"/>
 </switch>
</showmap>
</showtemplate>
<showtemplate name="ipv6.opttype" showtype="hex">
 <showmap>
 <switch expr="buf2int(this)">
 <case value="0" show="Pad1 Option"/>
 <case value="1" show="PadN Option"/>
 <case value="5" show="Router Alert Option"/>
 <default show="Error in IPv6 Option Type lookup"/>
 </switch>
 </showmap>
</showtemplate>
<showtemplate name="ipv6.optact" showtype="bin">
 <showmap>
 <switch expr="buf2int(this)">
 <case value="0" show="Skip over option"/>
 <case value="1" show="Discard packet silently"/>
 <case value="2" show="Discard packet-send ICMP"/>
 <case value="3" show="Discard packet-send ICMP if packet was unicast"/>
 </switch>
 </showmap>
</showtemplate>
<showtemplate name="ipv6.optchg" showtype="bin">
 <showmap>
 <switch expr="buf2int(this)">
 <case value="0" show="Option data does not change en-route"/>
 <case value="1" show="Option data may change en-route"/>
 <default show="Error in IPv6 Option Change lookup"/>
 </switch>
 </showmap>
</showtemplate>
<showtemplate name="ipv6.optroutalert" showtype="dec">
 <showmap>
 <switch expr="buf2int(this)">
 <case value="0" show="Datagram contains Multicast Listener Disc msg"/>
 <case value="1" show="Datagram contains RSVP message"/>
 <case value="2" show="Datagram contains an Active Networks msg"/>
 <default show="Error in IPv6 Router Alert Option lookup"/>
 </switch>
 </showmap>
</showtemplate>
<!-- Length of the hop by hop option header -->
<showtemplate name="ipv6.hbhlen" showtype="dec">
 <showdtl>
 <text expr="(buf2int(this) * 8) + 8"/>
 <text value=" (field value = "/>
 <protofield showdata="showvalue"/>
 <text value=")"/>
 </showdtl>
</showtemplate>
<showsumtemplate name="ipv6">
 <if expr="($prevproto == #ip) or ($prevproto == #ipv6) or
 ($prevproto == #ppp) or ($prevproto == #pppoe) or
 ($prevproto == #gre)">

```

```

 <if-true>
 <text value=" - " />
 </if-true>
 <if-false>
 <section name="next" />
 </if-false>
 </if>
 <text value="IPv6: " />
 <protofield name="src" showdata="showvalue" />
 <text value=" => " />
 <protofield name="dst" showdata="showvalue" />
 <text value=" (Len " expr="buf2int(plen) + 40" />
 <text value=") " />
</showsumtemplate>
</visualization>
</protocol> <!-- End IPv6 definition -->
<!-- snip - code removed ... -->
</netpdl>
<!-- End of Standard Protocol file -->

```

#### 7.2.6.14 Custom Protocol File - GTP Protocol Example

The following "GTP\_example.xml" file describes the custom GTP protocol.

```

<?xml version="1.0" encoding="utf-8"?>
<netpdl name="GTP" description="GTP-U Example">
 <!-- Gtpu program is an extension to the udp hard shell -->
 <protocol name="gtpu" longname="GTP-U" prevproto="udp">
 <!-- fields in GTP header used for validation and calculating length -->
 <format>
 <fields>
 <field type="bit" name="flags" mask="0xE0" size="1" />
 <field type="bit" name="pt" mask="0x80" size="1" />
 <field type="bit" name="version" mask="0x07" size="1" />
 <field type="fixed" name="mtype" size="1" longname="message type"/>
 </fields>
 </format>
 <execute-code>
 <!-- Check that UDP port is 2152 -->
 <before confirm="yes">
 <if expr="udp.dport == 2152">
 <if-true>
 </if-true>
 <if-false>
 <!-- Confirms UDP layer and exits-->
 <action type="exit" confirm="yes" advance="no" nextproto="return"/>
 </if-false>
 </if>
 </before>
 </execute-code>
 </protocol>

```

```

<!-- Done after UDP layer is confirmed-->
<!--Check version and calculate length-->
<after confirm="no">
 <if expr="version == 1">
 <if-true>
 <assign-variable name="$shimoffset_1" value="$NxtHdrOffset"/>
 </if-true>
 <if-false>
 <assign-variable name="$ShimR" value="0x23"/>
 <action type="exit" confirm="no" confirmcustom="no"
nextproto="none"/>
 </if-false>
 </if>
 <if expr="flags != 0">
 <if-true>
 <assign-variable name="$NxtHdrOffset" value="$shimoffset_1+12"/>
 </if-true>
 <if-false>
 <assign-variable name="$NxtHdrOffset" value="$shimoffset_1+8"/>
 </if-false>
 </if>
 <action type="exit" confirm="no" confirmcustom="shim1" nextproto="none"/>
>
 </after>
</execute-code>
</protocol>
</netpdl>

```

## 7.2.7 Security Engine (SEC)

### SEC Device Driver for DPAA1

#### 7.2.7.1 Introduction

Current section is focused on DPAA1-specific SEC details - Queue Interface (QI) backend and frontend drivers. More information is provided in [Section 6.5.15](#), including:

- JRI, the common Job Ring Interface on which QI is currently dependent
- crypto algorithms supported by each backend (RI, JRI, QI, DPSECI)
- kernel configuration - how to build backend and frontend drivers
- how to make sure the algorithms registered successfully
- how to check that crypto requests are being offloaded on SEC engine

On SoCs with DPAA v1.x, QI backend can be used to submit crypto API service requests from the frontend drivers. The corresponding frontend compatible with QI backend is *caamalg\_qi*, which supports symmetric encryption and AEAD algorithms-based crypto API service requests.

The Linux driver automatically sets the enable bit for the SEC hardware's Queue Interface (QI), depending on QI feature availability in the hardware. This enables the hardware to also operate as a DPAA component for use by for example, USDPAA apps. This behavior does not conflict with normal in-kernel job ring operation, other than the potential performance-observable effects of internal SEC hardware resource contention, and vice versa.

#### 7.2.7.2 Device Tree binding

There is no device tree node corresponding to SEC DPAA1. A platform device is created dynamically at runtime, as a child of the *crypto* node.



### 7.2.7.3 Module loading

Both QI backend and frontend drivers can be compiled either built-in or as modules. If compiled as modules, QI backend driver is (part of) the *caam* module, while the corresponding frontend driver is the *caamalq\_qi* module.

### 7.2.7.4 Verifying driver operation and correctness

Other than noting the performance advantages due to the crypto offload, one can also ensure the hardware is doing the crypto by looking for driver messages in *dmesg*.

The driver emits console message at initialization time:

```
platform caam_qi: algorithms registered in /proc/crypto
```

If the message is not present in the logs, either the driver is not configured in the kernel, or no SEC compatible device tree node is present in the device tree.

Another option is to examine the hardware statistics registers in *debugfs*.

### 7.2.7.5 Incrementing IRQs in /proc/interrupts

Given a time period when crypto requests are being made, the SEC hardware will fire completion notification interrupts on the corresponding QMan (Queue Manager) portal IRQ:

```
$ cat /proc/interrupts | grep QMan
 CPU0 CPU1 CPU2 CPU3
[...]
```

	CPU0	CPU1	CPU2	CPU3				
21:	0	0	0	22	GICv2	214	Level	QMan portal 3
22:	0	0	61	0	GICv2	216	Level	QMan portal 2
23:	0	29	0	0	GICv2	218	Level	QMan portal 1
24:	273	0	0	0	GICv2	220	Level	QMan portal 0

If the number of interrupts fired increment, then the hardware is being used to do the crypto.

If the numbers do not increment, then first check the algorithm being exercised is supported by the driver. If the algorithm is supported, there is a possibility that the driver is in polling mode (NAPI mechanism) and the hardware statistics in *debugfs* (inbound / outbound bytes encrypted / protected - see below) should be monitored.

Note: CAAM driver might be sharing the QMan portal with other drivers in the system; meaning that the interrupt counters shown in */proc/interrupts* are for all drivers sharing the portal.

### 7.2.7.6 Verifying the 'self test' fields say 'passed' in /proc/crypto

An entry such as the one below means the driver has successfully registered support for the algorithm with the kernel crypto API:

```
name : cbc(aes)
driver : cbc-aes-caam-qi
module : kernel
priority : 2000
refcnt : 1
selftest : passed
internal : no
type : givcipher
async : yes
blocksize : 16
min keysize : 16
max keysize : 32
ivsize : 16
```

```
geniv : <built-in>
```

Note that although a test vector may not exist for a particular algorithm supported by the driver, the kernel will emit messages saying which algorithms weren't tested, and mark them as 'passed' anyway:

```
[...]
alg: No test for authenc(hmac(md5),cbc(aes)) (authenc-hmac-md5-cbc-aes-caam-qi)
alg: No test for echainiv(authenc(hmac(md5),cbc(aes))) (echainiv-authenc-hmac-
md5-cbc-aes-caam-qi)
alg: No test for echainiv(authenc(hmac(sha1),cbc(aes))) (echainiv-authenc-hmac-
sha1-cbc-aes-caam-qi)
alg: No test for authenc(hmac(sha224),cbc(aes)) (authenc-hmac-sha224-cbc-aes-
caam-qi)
[...]
alg: No test for echainiv(authenc(hmac(sha384),cbc(des))) (echainiv-authenc-
hmac-sha384-cbc-des-caam-qi)
alg :No test for echainiv(authenc(hmac(sha512),cbc(des))) (echainiv-authenc-
hmac-sha512-cbc-des-caam-qi)
[...]
```

### 7.2.7.7 Supporting Documentation

For general SEC information and Job Ring Interface (JRI): [Section 6.5.15](#).

DPAA2-specific SEC details - Data Path SEC Interface (DPSECI): [Section 7.3.2.6](#).

## 7.3 DPAA2-specific Software

### 7.3.1 DPAA2 Software Overview

#### 7.3.1.1 Introduction

The following section provides an overview of the software and tools for the DPAA2 networking hardware that is provided on NXP SoCs such as LS2088A, LS1088A, LX2160A, LX2162A. These SoCs are called "DPAA2 SoCs" because they contain the hardware that is required to support the DPAA2 networking architecture. This hardware includes Queue Manager/Buffer Manager (QBMan), the Wire Rate I/O Processor (WRIOP), and the Management Complex (MC).

DPAA2 is an architecture in which some facilities (and therefore, the hardware that supports them) are optional. For this reason, this document may describe features that are not available on all DPAA2 SoCs.

#### 7.3.1.1.1 DPAA2 in the Layerscape SDK

NXP provides a Linux-based software development kit (SDK) for SoCs. The core of the SDK is an embedded-oriented Linux distribution containing components such as:

- U-Boot bootloader
- Linux kernel with networking support
- GNU tool chain for Armv8
- Large set of standard Linux user space packages including shells, initialization scripts, and servers
- Yocto-based package management in an embedded-style source-based Linux distribution

NXP supports and builds upon standard Linux with drivers and additional packages and capabilities including support for the DPAA2 networking hardware such as:

- Management complex firmware for the DPAA2 architecture. DPAA2 is a networking peripheral subsystem architecture and will be discussed at length in later sections.
- Restool: a DPAA2 object management tool
- A DPAA2 Linux Ethernet driver
- Linux kernel support for treating DPAA2 containers as plug-and-play buses with VFIO support
- Integrated kernel-based control of DPAA2 L2 switch objects
- Kernel support for DPAA2 acceleration objects including cryptographic offload

7.3.1.2 DPAA2 Hardware

7.3.1.2.1 Introduction

This section introduces the DPAA2 hardware components and explains their relationship to the DPAA hardware found on previous NXP SoCs. Finally, it shows the DPAA2 hardware blocks in the context of a specific SoC, LS2088A, LS1088A.

Note that the DPAA2 hardware is configured via DPAA2 objects as will be described below. This section on hardware provides background information to give context to the discussion of the DPAA2 objects. Most developers will deal with the DPAA2 objects and not directly with all aspects of the DPAA2 hardware blocks.

7.3.1.2.2 DPAA2 hardware

The DPAA2 hardware provides network interfaces, hardware-based queuing, layer 2 switching, more general switching, networking-related accelerators, and also memory dedicated to packet processing.

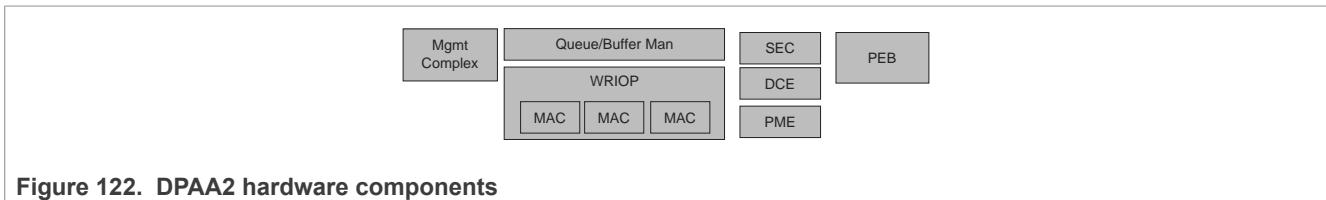


Figure 122. DPAA2 hardware components

The DPAA2 hardware contains the following components:

**Management Complex (MC)**

The DPAA2 hardware is abstracted by DPAA2 objects with the help of the Management Complex. This means that users need not study the details of the DPAA2 hardware blocks in order to develop drivers for or use DPAA2 capabilities. This software and solution oriented focus is one of the key differences between the first DPAA1 and DPAA2.

**Queue and Buffer Manager (QBMan)**

QBMan provides hardware-based buffer and queue management.

**WRIOP**

WRIOP provides hardware that serves as the basis for network interfaces. It includes Ethernet MACs, packet header key generators, parsers, table lookup units, and an interface to the buffer and queue managers.

**Accelerators (optional)**

Accelerators that interface to QBMan are a key part of DPAA2. They include a cryptographic and security accelerator (SEC), a pattern matching accelerator (PME), a data compression/decompression accelerator (DCE), and a generic DMA engine. The set of accelerators may vary from SoC to SoC and new types of accelerators may be added.

**PEB (optional)**

PEB is a memory devoted to high-performance packet processing. It can be used to store in-flight packets and other items.

**DPAA2 versus DPAA**

DPAA2 is the latest generation of the Datapath Acceleration Architecture (DPAA) hardware. It is an evolution of the DPAA present in previous SoCs.

DPAA2 changes relative to DPAA include:

- DPAA2 contains a hardware block called the Management Complex. It facilitates and simplifies hardware resource allocation and hardware configuration.
- The hardware buffer and queue managers (QMan and BMan) are integrated into a single hardware block called QBMan.
- DPAA2 session context can be maintained per frame, rather than per frame queue, which allows multiple accelerator sessions to share a single frame queue pair. This single frame queue pair then reduces the number of frame queues needed, making session establishment more efficient because frame queues do not need to be initialized per session.
- Software portals are enhanced to make it easier and more efficient for General-purpose Processing (GPP) core software to share them.
- WRIOP in DPAA2 replaces FMan as the hardware block that provides Ethernet interfaces. WRIOP is designed to be more partitionable, in that it allows GPP software to more independently manage separate network interfaces.
- WRIOP and QBMan contain new features that support autonomous L2 switching functionality:
  - WRIOP: L2 address learning and forwarding unit.
  - QBMan: packet replication facility.

**7.3.1.2.3 LS2088A block diagram**

The LS2088A is an Armv8-A 64-bit SoC. It contains eight Arm Cortex-A57 cores and numerous peripherals. The LS2088A is an example of a DPAA2 SoC because it contains the required DPAA2 hardware blocks: WRIOP, QBMan, and MC.

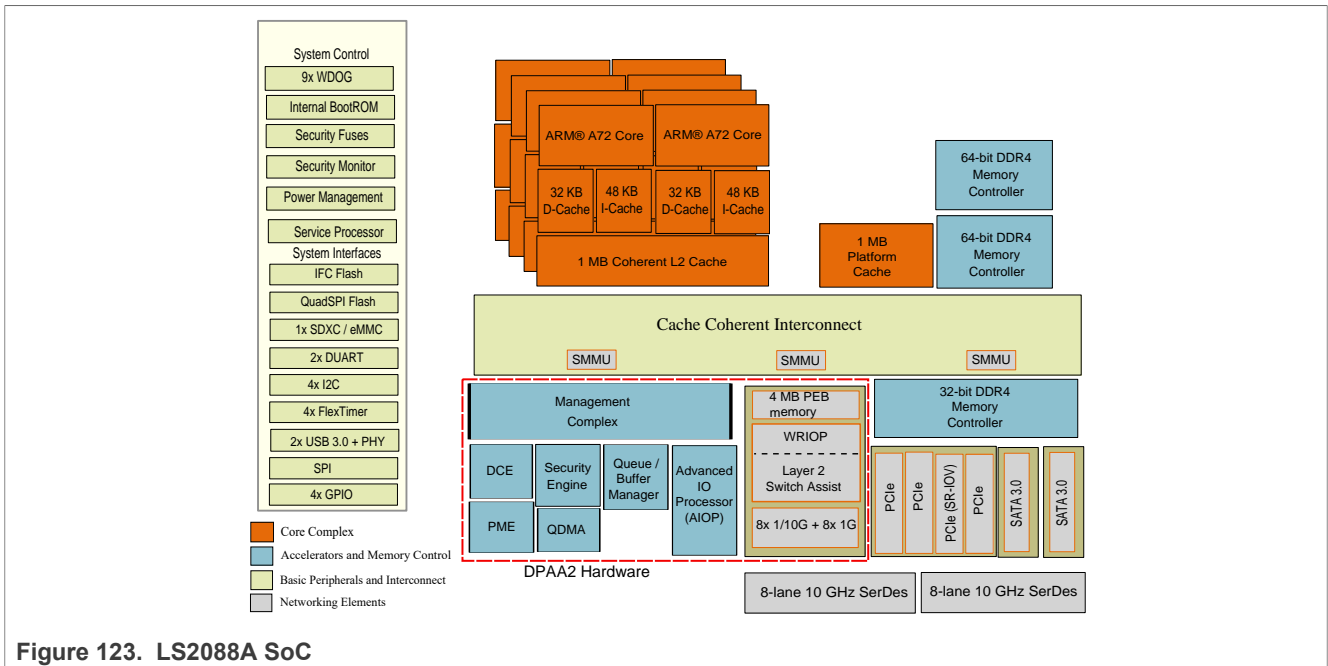


Figure 123. LS2088A SoC

The LS2088A contains standard-Arm components in addition to the cores, such as:

- Arm generic timer
- GIC-500 interrupt controller
- MMU-500 System Memory Management Unit (I/O MMU)

It also contains conventional hardware blocks including:

- DDR controllers
- Flash controller
- SDxC/eMMC controller
- USB controller
- PCIe controller
- SATA controller
- Other blocks visible in the diagram.

Finally, the following DPAA2 components are highlighted in the figure:

- QMan/BMan: hardware queue and buffer management
- WRIOP: Ethernet interfaces
- Management complex: DPAA2 objects and their management
- Accelerators: SEC, PME, and DCE

### 7.3.1.3 DPAA2 Linux Software

#### 7.3.1.3.1 Introduction

This section provides a high-level summary of the most important DPAA2 software associated with the Linux operating system.

7.3.1.3.2 Linux and DPAA2

This section summarizes major Linux DPAA2 software. See [Linux DPAA2 software](#) which shows the software in relation to some standard Linux software.

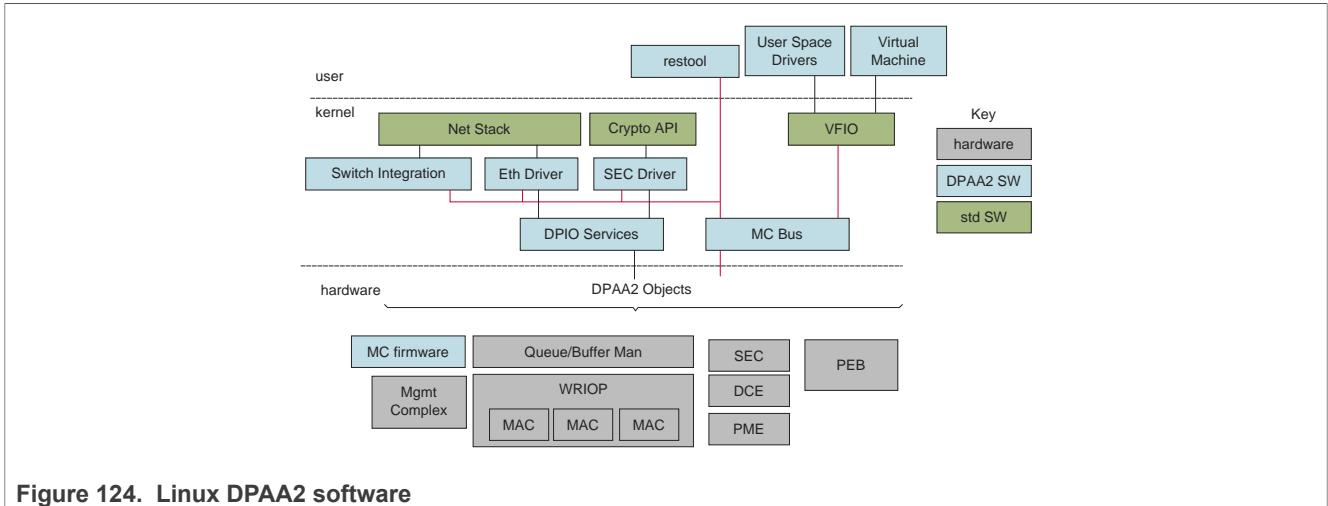


Figure 124. Linux DPAA2 software

**Ethernet Driver**

DPAA2 software includes a conventional Ethernet driver for use by the Linux network stack. This driver is controlled via standard Linux means such as the "ifconfig" or "ip" commands and also "ethtool". It operates in a manner that will be familiar to Linux users. Drivers in DPAA2 manage DPAA2 "objects" as will be described below. These objects are best regarded as hardware. They are formed from hardware resources.

**DPIO Services**

DPAA2 drivers such as the Ethernet driver in the Linux kernel use the DPIO services Linux component to do I/O. The DPIO services layer manages the kernel's DPIO objects. DPIO objects contain DPAA2 software portals (which are hardware components). The software portals can be shared by multiple higher-level drivers.

**DPAA2 Objects and Management Complex (MC) Firmware**

The DPAA2 hardware is presented to software in terms of DPAA2 objects that are realized by means of firmware running on the Management Complex. This will be explained in depth in [Section 7.3.1.4](#) and also immediately below.

**MC Bus and Restool**

The DPAA2 objects appear as devices on a special software-defined bus called the MC bus. Linux has a driver for this bus (and interactions with VFIO). This software is analogous to PCIe bus software. Like PCIe, the MC bus supports plug and play.

The "restool" utility is a Linux user space command that allows DPAA2 objects to be managed: created, destroyed, queried for status, and so on.

**SEC Driver**

The SEC driver provides the standard Linux kernel cryptographic API but implemented by the SEC hardware by means of a special DPAA2 object. Other accelerators can be handled in the same way, but Linux tends not to provide standard (hardware-independent) kernel-level APIs for them so they are not discussed here.

**Switch Integration**

Finally, DPAA2 objects exist that perform L2 and more general network switching. These hardware elements can be configured using standard Linux mechanisms such as "bridge". As will be discussed later, there are two

types of switch-related DPAA2 objects: DPSW and DPDMUX. There is kernel-based management support for both.

### 7.3.1.3.3 DPAA2, Management Complex, and drivers

DPAA2 is the architecture that describes network interfaces and other networking services for an SoC with DPAA2 hardware. It is discussed in depth in [Section 7.3.1.4](#). For now, think of DPAA2 as hardware for networking that is presented in terms of DPAA2 objects. The objects provide specific high-level features or services such as network interfaces or L2 switches.

The objects are managed by means of firmware running on a hardware block called the Management Complex. Software on general-purpose cores must load firmware onto the Management Complex before networking can be done using DPAA2 hardware.

Normally, the MC firmware is loaded early in the boot process so that bootloaders can make use of DPAA2 objects and perform networking operations such as network-based booting.

Since the objects represent hardware, they require driver software on general-purpose cores. NXP provides drivers for U-Boot and standard Linux and therefore, both support Ethernet networking out of the box. For example, one can use Linux networking without delving into the details of DPAA2 and its objects just as one can use Linux networking via a PCIe Ethernet card (whose manufacturer provides a driver) without delving into the design of the card.

DPAA2 and its objects are fully documented so it is possible to write drivers for other operating systems, applications, or bootloaders, for example, DPDK, UEFI firmware, and so on. Many of these drivers exist or are roadmap items.

### 7.3.1.3.4 DPAA2 and plug-and-play

There is another analogy between DPAA2 objects and PCIe devices. PCIe devices appear to operating systems as plug-and-play devices on a bus. The operating system can scan the bus to discover and identify the devices on it. It can then use the device identities to associate drivers with devices and bring them into service.

DPAA2 objects work in a similar way. They are placed into datapath containers (DPRC) that can be scanned in an analogous manner. Then objects are associated with drivers and placed into service.

The Linux kernel is provided with a container with its DPAA2 objects. Containers can also be provided to other software including virtual machines and even arbitrary user space processes. This is how the hardware that objects encapsulate can be directly assigned to virtual machines and user space processes. This allows them highly efficient access to hardware but in a secure fashion due to the involvement of the SoC IO-MMU.

This, also, is analogous to PCIe devices in standard Linux; DPAA2 objects can be directly assigned to virtual machines and user space processes using a standard Linux architecture called VFIO which allows devices to be mapped into the address space of user space processes and also enables IO-MMU configuration to constrain the memory to which devices can read and write data via their DMA engines.

Like PCIe devices, DPAA2 objects are also mapped using VFIO. NXP supplies the extensions to VFIO in Linux that makes this possible.

### 7.3.1.3.5 Datapath layout files and restool

As mentioned elsewhere, DPAA2 containers are like PCIe buses in that they can be scanned for objects/devices. But containers and PCIe buses are populated very differently. PCIe buses are populated physically, for example, by plugging a card into a slot.

Objects are encapsulations of DPAA2 hardware resources that must be created via management complex firmware and then assigned to a container. There are several ways to do this:

1. the datapath layout file
2. restool
3. Management Complex commands

#### 7.3.1.3.5.1 Datapath layout (DPL) file

Containers and objects can be defined statically in a file called a datapath layout file (DPL) that is passed to the management complex when it is initially booted. The DPL can specify containers, objects, and connections between objects. When an OS such as Linux boots, it will discover the populated containers.

#### 7.3.1.3.5.2 restool

The utility called “restool” is a NXP-created Linux user space command that allows inspection and dynamic management of containers and objects. With it, one can

- Display the current set of containers and objects
- Create and destroy containers
- Create and destroy objects
- Assign objects to containers
- Create links among objects

One can use a sequence of restool command invocations to create the same container and object state that a DPL might specify. The difference is that restool is dynamic.

#### 7.3.1.3.5.3 Management Complex commands

Finally, objects and containers can be manipulated by software running on general-purpose cores by sending commands to the Management Complex. This is, in fact, what restool does. Command-line arguments to restool define an operation. The restool utility simply forms a command and passes it to the Management Complex. Other drives can also do this.

#### 7.3.1.4 DPAA2 Networking Subsystem Deeper Dive

This section provides additional detail on the DPAA2 architecture and the DPAA2 object services paradigm.

This paradigm simplifies using the DPAA2 hardware IP blocks through abstraction and encapsulation. DPAA2 objects are objects in the sense that they:

- Encapsulate specific abstract functionality, for example, L2 switching.
- Are composed of allocated hardware subcomponents of the DPAA2 hardware peripherals, and then mostly abstract their functionality.
- Present functionality in terms of specific attributes and methods, meaning operations on the objects.

**Note:** DPAA2 objects are not associated with object-oriented programming languages, instead they are collections of hardware resources allocated for a specific purpose. General-purpose processing (GPP) core software can configure objects by sending them commands expressed in terms of hardware-level descriptors. GPP software can also include C language functions that prepare and interpret the descriptors. No use of object-oriented programming languages is required. For the most part, Linux drivers are written in C as usual

This section:

- Presents the DPAA2 object model at a concept level and describes how objects are created, destroyed, conveyed, configured, and used
- Lists the objects types and their purposes
- Outlines how the Management Complex implements and provides the objects



- Explains what software components use the various DPAA2 object types, and how they use them. The users are often application software running on general-purpose processors (cores).

Driver-level software on GPPs works with the abstracted objects, rather than directly with the hardware. For example, the GPP software deals with L2 switch and network interface objects rather than WRIOPs.

DPAA2 objects express and abstract the DPAA2 hardware into software-managed objects that are:

- Application-oriented in terminology and use, rather than hardware-oriented
- Based on concepts that are generally familiar to programmers and system architects
- Simpler than direct management of the hardware
- Indicate the architectural intent of the hardware blocks

DPAA2 object services are provided by software that runs as firmware on a DPAA2 hardware block called the Management Complex. Users do not need to program the Management Complex in order to use the Network Object Services; they simply use the NXP-supplied firmware. This firmware runs on the Management Complex instead of a general-purpose core in order to simplify the integration of the NXP software with customer software. [DPAA2 object concept](#) below shows at a concept level how the Management Complex provides objects that perform specific services; the objects have attributes and interfaces that appear as hardware.

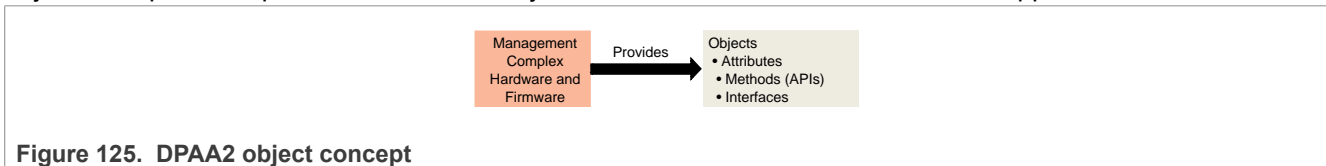


Figure 125. DPAA2 object concept

### 7.3.1.4.1 DPAA2 hardware abstraction example

This section introduces the DPAA2 objects and the abstractions they provide by means of an example. [Example scenario](#) shows a system constructed using the DPAA2 hardware on a DPAA2 SoC such as the LS2088A. The goal is to run two KVM virtual machines (VMs) on the SoC. The two virtual machines each have a hardware network interface that they can directly access (that is, a dedicated interface) connected to a DPAA2 L2 switch. These VMs can communicate with each other via the L2 switch, and they can communicate externally via the MAC on the L2 switch. So, the L2 switch has three ports, one for an off-SoC connection (connected to a MAC), and two for the VMs.

In addition, there are two network interfaces with MAC addresses for off-SoC communication that are used by the host Linux. The host Linux instance and the virtual machines all run on the Cortex-A72 cores on the LS2088A. In this example, each network interface is associated with an Ethernet driver working with Linux.

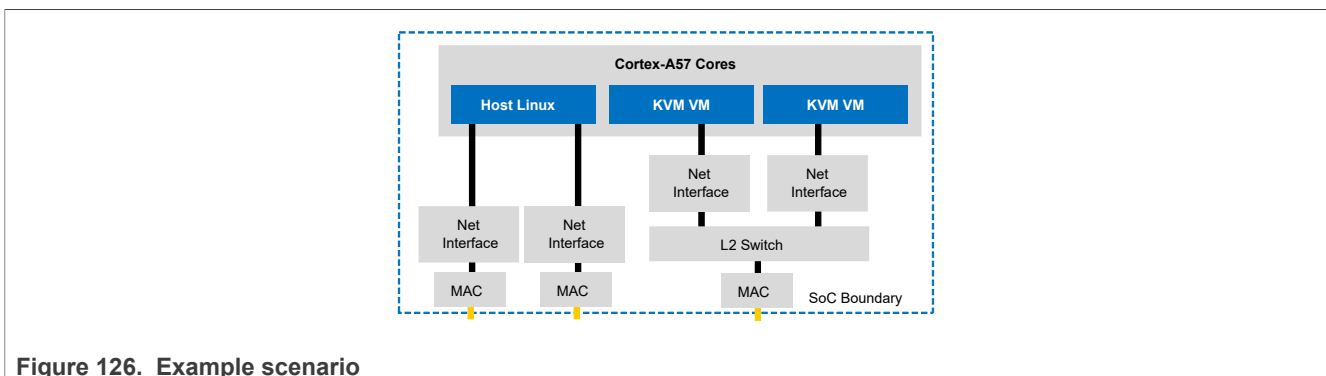


Figure 126. Example scenario

[DPAA2 hardware](#) shows the DPAA2 hardware blocks. This figure bears little resemblance to [Example scenario](#). It provides little guidance to how the example scenario could be realized because the hardware blocks are conceptually distant from a natural statement of what is desired in the example. The DPAA2 objects are much closer, as will be seen below.

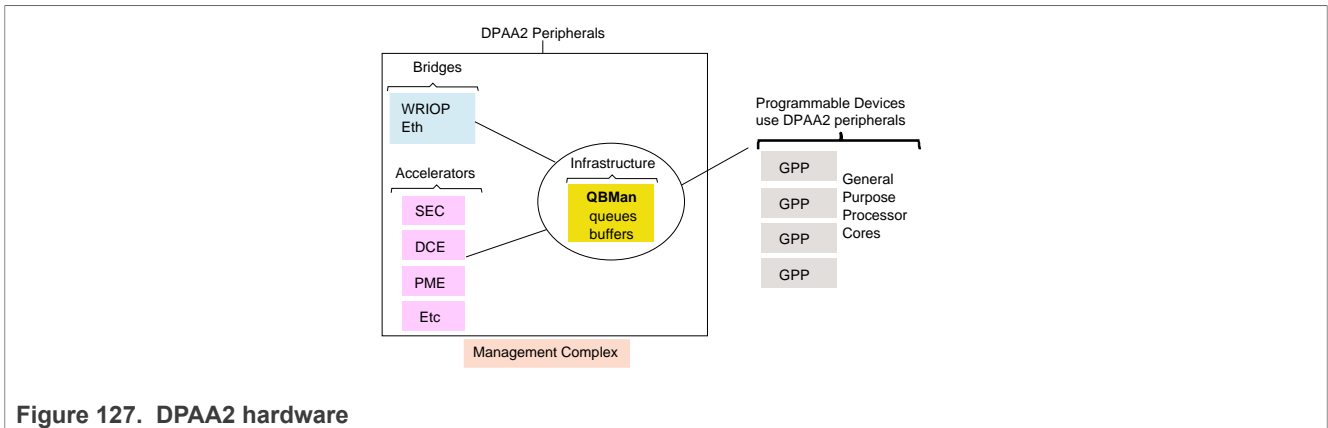


Figure 127. DPAA2 hardware

[Example scenario based on DPAA2 objects](#) shows how the example can be realized using the DPAA2 object abstractions of the DPAA2 hardware; this figure is much closer to the goal expressed in [Example scenario](#) and its components are described below:

- The host Linux is shown in more detail on the left. The network stack and two instances of the Ethernet drivers appear in the figure above the hardware boundary. Also, the figure shows the stacks and drivers for the two virtual machines.
- The DPAA2 objects appear below the hardware boundary
- The DPNI (Datapath Network Interface) objects correspond directly to the network interfaces in [Example scenario](#). The DPSW (Datapath Switch) object corresponds to the L2 switch.
- The DPMAC (Datapath MAC) objects represent Ethernet MACs within WRIOP. These are hardware components that connect to PHY hardware, and provide Ethernet physical layer termination, that is, Ethernet connections to the SoC.
- The DPIO (Datapath I/O) objects include QBMan software portals, and they allow GPP core software to read and write packets from the DPNI. DPIOs are described in more detail later in this document.

See [Section 7.3.1.4.1.6](#) for a summary of the DPAA2 objects.

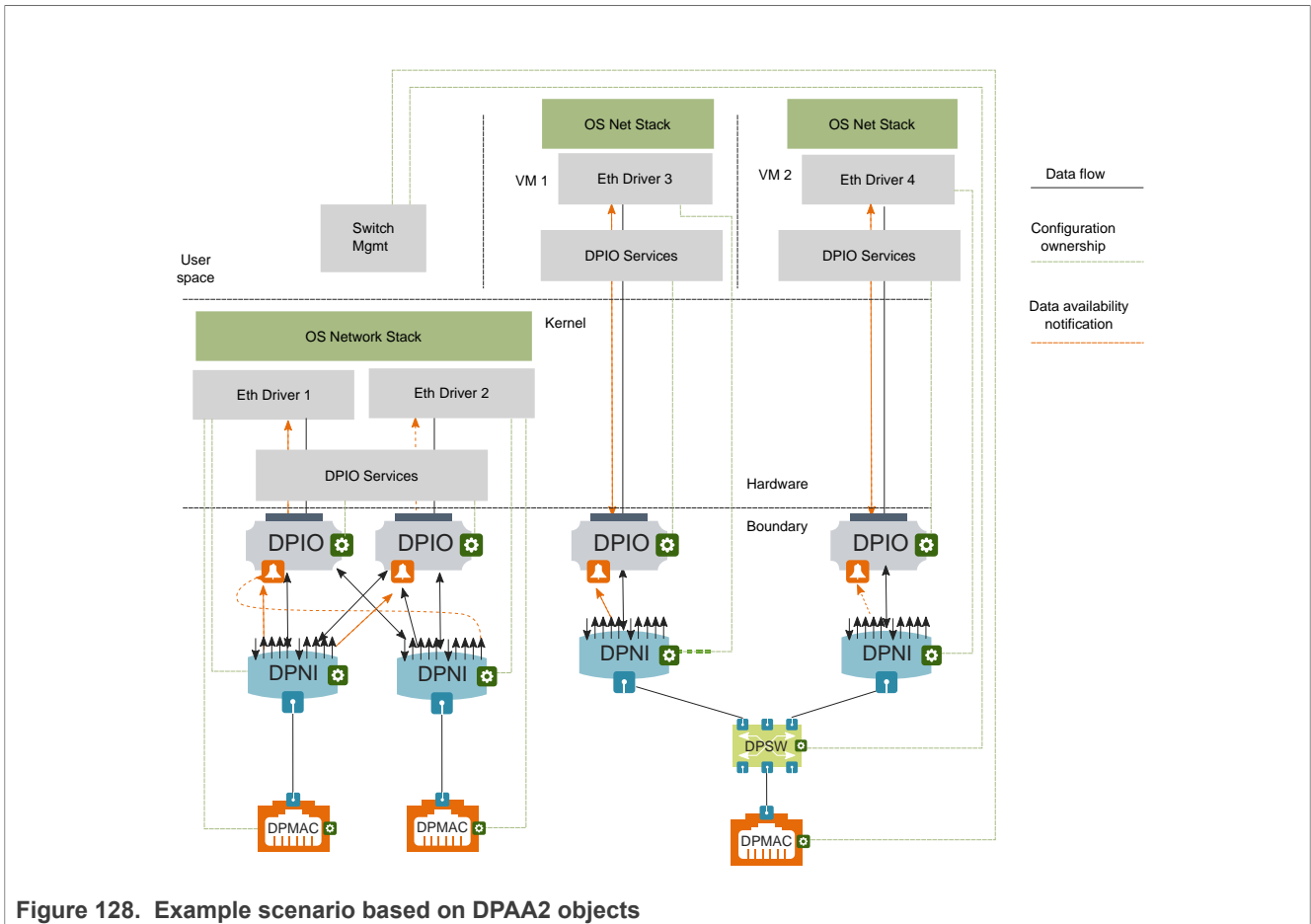


Figure 128. Example scenario based on DPAA2 objects

### 7.3.1.4.1.1 Objects are partitioned among software owners

Software management of DPAA2 objects is distributed. Software components that use a particular set of objects independently manage the objects in their set. The green boxes on the object icons in [Example scenario based on DPAA2 objects](#) represent management interfaces, and the green dashed lines show what software component owns the management of each object. For example, the DPSW is shown as managed by switch management software running on the general-purpose processing cores.

### 7.3.1.4.1.2 Objects can be directly assigned

The virtual machines directly access and manage the objects their software uses, and they do this with minimal host kernel involvement; this enhances efficiency while preserving access isolation. In the figure, the virtual machines have directly assigned hardware-based network interfaces.

### 7.3.1.4.1.3 DPNI objects provide network interfaces

DPNI objects interact with drivers to allow software to send and receive network frames, usually Ethernet frames. DPNI objects are central to DPAA2's concept of network interfaces, but they do not act alone. In general, network drivers manage several objects as part of managing network interfaces. [DPNI ingress](#) shows a high-level outline of DPNI ingress frame processing, and the following steps give insight into how objects work together.

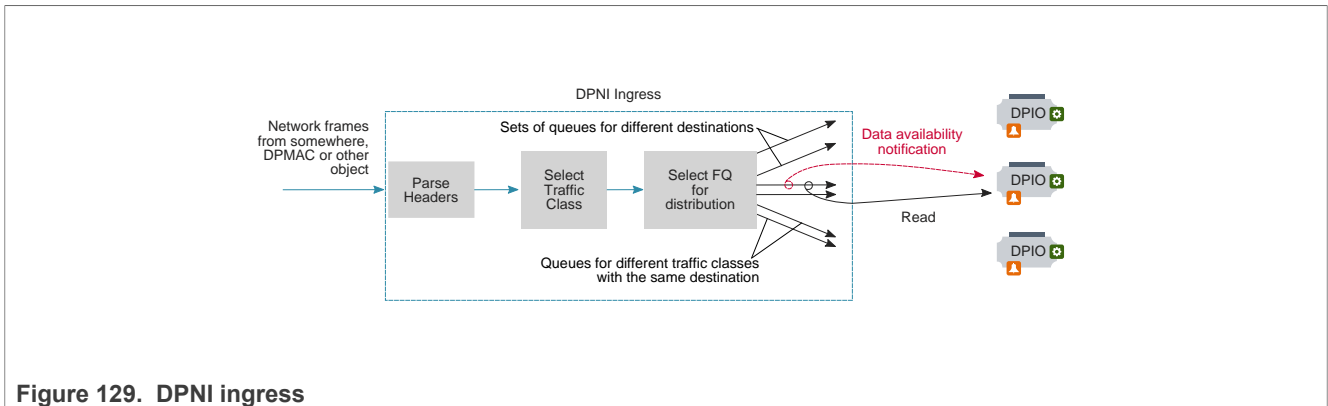


Figure 129. DPNI ingress

1. A frame arrives at DPNI from another object, a MAC (DPMAC), a switch (DPSW) or other object.
2. DPNI parses the packet to locate the header from which lookup keys can be generated.
3. A lookup selects a traffic class (priority) for the frame; this priority causes a specific set of queues (implemented as QMan frame queues) to be selected.
4. DPNI must select a destination for the frame, using either another lookup or an RSS-style hashing operation; this lookup causes a specific queue within the previously selected set to be selected.
5. The frame is enqueued onto the queue, and the queue represents the destination indirectly. At this point, DPIO objects enter the process.
6. Every queue is configured to deliver data availability notifications to a specific DPIO, and these notifications tell the driver software using the DPIO that one or more frames are available to read from a specific queue.
7. Driver software responds by using a DPIO (actually any of its DPIOs) to read a burst of one or more frames from the queue.

Egress is simpler. The driver software uses a DPIO to enqueue a frame to a specific egress queue within DPNI; the queue is selected based on the desired traffic class.

### 7.3.1.4.1.4 Multiple DPIOs provide parallelism

It is common to assign queues in network interfaces to specific cores, and then to distribute the traffic between them using techniques like RSS or explicit flow steering. DPAA2 supports this process by using multiple DPIOs. See [DPIO parallelism](#) for an example involving a single network interface and two cores.

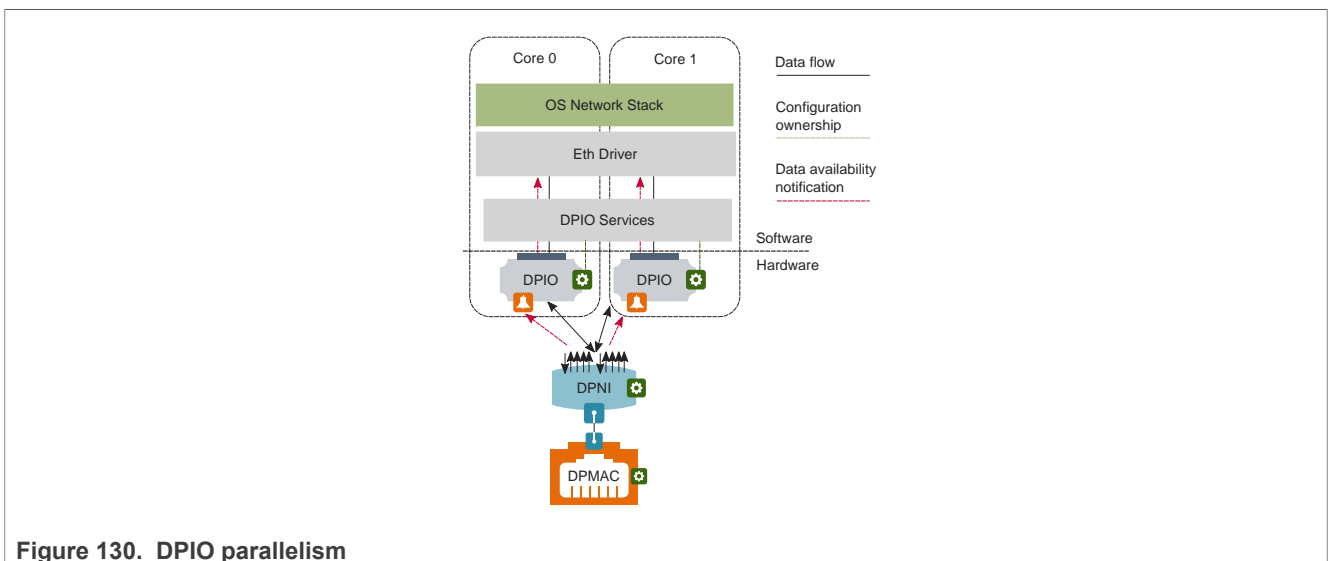


Figure 130. DPIO parallelism

The DPNI is configured so that each of its egress queues sends its data availability notifications to one DPIO or another in a balanced way. A core receives an interrupt from its DPIO telling it to read a data availability notification, and then it uses its DPIO to read a burst of one or more frames. In Linux terms, it starts a NAPI burst.

#### 7.3.1.4.1.5 DPIO services

Notice in [Example scenario based on DPAA2 objects](#) that the host operating system on the left has two network interfaces. It has two DPIOs also, but either DPIO can be used for I/O to either of the interfaces. DPIOs are designed to be shared across network interfaces that belong to the same software component, such as the Linux kernel. For this reason, the Linux kernel contains a software layer called DPIO Services that facilitates driver instances performing I/O from a resource that might be shared across a network interface, and also might be shared across cores or software threads. Giving more DPIOs to the DPIO Services layer can increase performance, and using the same DPIO on a core for more than one network interface need not decrease performance because each core is physically able to do only one thing at a time.

#### 7.3.1.4.1.6 Object summary

##### DPNI

A DPNI object is the key to network interfaces. On ingress, it receives frames from a DPMAC or another object such as a DPSW, parses headers, determines the frame's traffic class, and enqueues the frame onto a frame queue selected based on the traffic class and other header values. This supports both hash-based distribution of frames to multiple cores, and also direct flow steering of frames to specific cores.

DPNI can generate a per-queue data availability notification when a frame is enqueued. On egress, the DPNI dequeues frames from frame queues and transmits them to an external port using a DPMAC, or to another DPAA2 object such as a DPSW.

##### DPMAC

The DPMAC object represents an Ethernet MAC, a hardware device that connects to a PHY and allows physical transmission and reception of Ethernet frames.

##### DPSW

The DPSW object provides the functionality of a general layer 2 switch. It receives packets on one port and sends them on another. It can also send packets out on multiple ports for the purposes of broadcast, multi-cast, or mirroring.

##### DPDMUX

The DPDMUX is another type of switch. It differs from a DPSW in several ways. A DPDMUX may have only a single uplink port. Also, it can be programmed to direct packets based on header values above layer 2.

##### DPCON

The DPCON object allows multiple DPNI's to be aggregated into a single device that appears to a GPP core as single interface that carries frames from multiple DPNI's; it combines two or more network interfaces into one. It provides a hardware-based scheduling off load because the hardware selects the order based on the priority in which frames from the multiple DPNI's are provided to software on GPP cores.

DPCON is also useful for software that polls for input frames; it allows a single interface to be polled instead of multiple interfaces.

DPCON objects are also used by Linux Ethernet drivers for priority-based frame delivery.

## DPIO

General-purpose processing core software uses a DPIO object to perform hardware queuing operations, such as enqueue and dequeue, and hardware buffer management operations, such as acquire and release. It also allows data availability notifications to be received. DPIOs can generate interrupts. The DPIO object is unusual in that GPP core software is expected to directly access portions of the DPIO's hardware (QBMan software portals) for runtime operations, in addition to supporting configuration operations from the management complex.

Note that DPIO are used only by software on the general-purpose processing cores.

## DPBP

The Datapath Buffer Pool object represents a QBMan buffer pool. It is used mainly as a resource by network drivers, but it is an active entity because it can send buffer pool depletion notifications to GPP core software.

## DPRC

The DPRC object allows the Management Complex to track sets of objects in use by the same software component. The objects in the set are said to be in the same container. It also facilitates the assignment of sets of objects to specific software components, such as a virtual machine or a user space application using user space drivers. The software component can query containers in order to discover objects at runtime, and this enables plug-and-play drivers that interface to objects.

Some objects include DMA-capable hardware. All objects in the same DPRC share a common ICID, and a common set of IO-MMU mappings. A number of key features of DPRCs include:

- **Direct access.** All the objects and resources in a container are private to the container, and software components get direct access to the registers (as abstracted by the Management Complex) of the hardware objects.
- **Dynamic discovery.** A software context that is given a DPRC can dynamically discover the objects and resources placed in the container using MC commands.
- **Hot plug/unplug.** Objects can be dynamically plugged and unplugged into DPRCs.
- **Security.** A software context can only see the objects in its DPRC, and cannot affect other containers or the proper operation of other software contexts. DMA transactions from MC objects are isolated using the system IOM-MU.

## DPMCP

The DPMCP object represents a Management Complex command portal and is used by drivers to send commands to manage objects.

## Objects for accelerators

There are also objects associated with accelerators such as SEC, PME, and DCE. These objects provide software with interfaces to the accelerator hardware. For this reason, the accelerator interface objects end in "I".

- DPSECI - SEC (security/cryptographic coprocessor ) interface.
- DPDCEI - DCE (data compression engine) interface.
- DPDMAI - DMA engine interface.

Software uses queues associated with an object to send a buffer to an accelerator for processing and to receive the result.

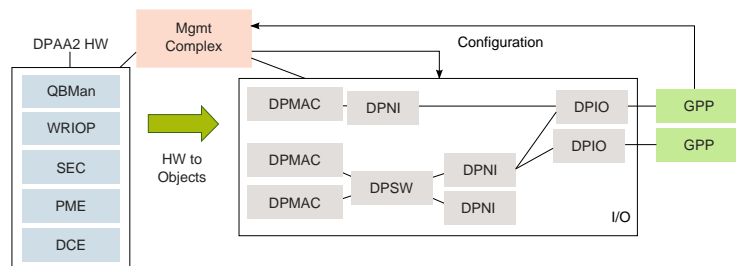
**New types of objects**

NXP will create new types of objects over time to address new needs and use cases as they arise.

**7.3.1.4.2 Management Complex: How DPAA2 objects are created and managed**

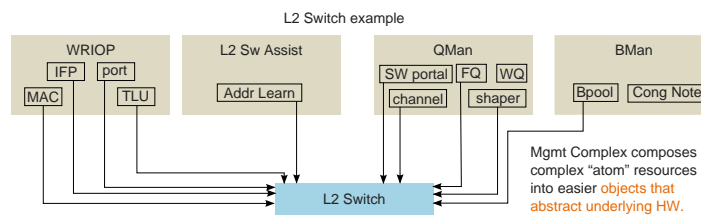
This section outlines how the Management Complex creates and manages DPAA2 objects.

The best way to think of DPAA2 hardware, in particular WRIOp and QBMan, is that it provides many low-level resources ranging from Ethernet MACs to lookup tables to frame queues and so on. Software's mission is to assemble the right set of these low-level resources, and configure them collectively to achieve a goal.



**Figure 131. Management Complex creates objects from hardware subcomponents**

Think of the low-level resources as “atom resources” because they are always allocated as a unit. DPAA2 objects are then “composite resources,” or collections of atom resources that are then configured to achieve a common goal, like being an L2 switch as shown in [Realizing an L2 switch](#).



**Figure 132. Realizing an L2 switch**

The creation method for a DPAA2 object involves allocating the necessary atom resources and configuring them enough to place the object in an initial idle state. Object methods and other interfaces then allow it to be further configured and used. For example, forming an L2 switch from DPAA2 atom resources is quite complex. The NXP firmware running on the Management Complex implements the methods necessary, and hides this complexity from GPP developers.

Continuing the example, an L2 switch object can also be shut down and disassembled by its methods. Its atom-resources are then placed back into the pools of atom resources that the Management Complex firmware manages.

7.3.1.4.2.1 Hardware directly visible to software

Clearly, DPAA2 provides abstractions. The objects are best thought of as being hardware, and most actually are collections or encapsulations of hardware resources that are allocated and configured to achieve a higher level and more abstract purpose than would be clear from a direct view of the hardware resources. An example of an abstract purpose is “be an L2 switch” (DPSW).

It can be helpful to focus on exactly what is visible to driver-level software running on the general-purpose cores, especially since what is visible is a mixture of direct access to hardware and indirect access to hardware via abstractions. This discussion will be biased toward the view of objects from drivers running on general-purpose processing cores (such as in U-Boot and Linux).

Also the discussion will avoid details of individual objects since this is an overview with the purpose of clarifying objects in general.

[DPAA2 visibility boundary](#) describes in one diagram what is directly visible to the driver layer software.

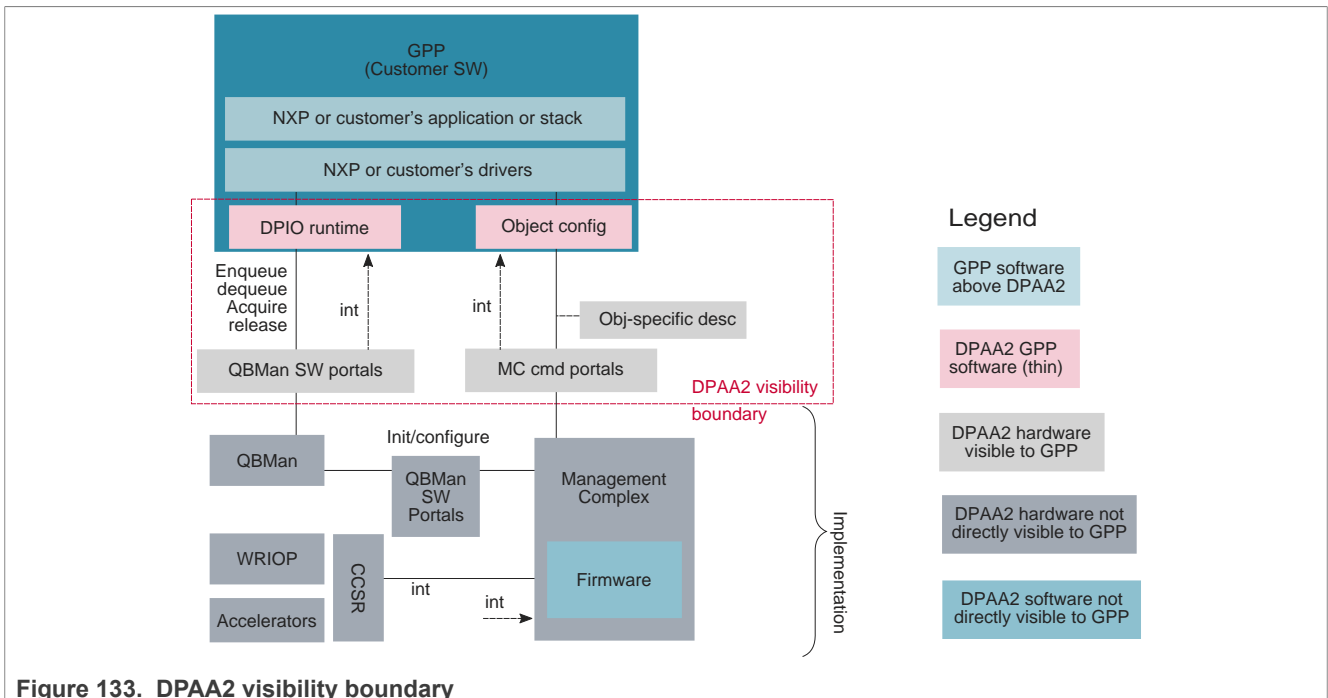


Figure 133. DPAA2 visibility boundary

There is quite a lot in the figure above, so it is best to break it down. What driver level software can see and do is dictated by its function.

This begins with the Management Complex (MC) itself. The discussion below will focus on the services that the MC provides to other software in the system. There will be no discussion of MC firmware's internal design.

See [Management complex visibility in DPAA2](#). The first step is that general-purpose processing core software (usually a bootloader) must load the opaque firmware image onto the Management Complex and then start it running. This involves direct access to portions of the Management Complex hardware: registers defining the location of the Management Complex's portion of DDR, image location, address translation, and run state control.



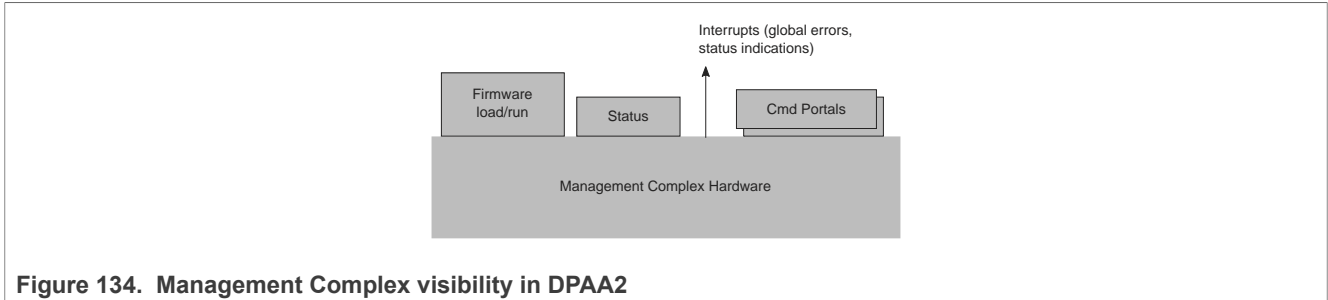


Figure 134. Management Complex visibility in DPAA2

The driver software also requires visibility to global status, particularly to status for global errors. Changes in the state of this status can be signaled by interrupts to the general-purpose processing cores so the Management Complex can produce these interrupts.

Finally, the Management Complex exists to serve its masters, the general-purpose processor core software that “owns” objects, that is has been allocated access rights to them via container ownership and hierarchy. The service is provided by responding to commands so driver software needs a way to deliver commands to the Management Complex. In addition, this process must be secure in that the Management Complex must know, in a way that cannot be spoofed, an ID of the software sending the command. This is to allow the Management Complex to enforce object access rights.

Driver software delivers commands to the Management Complex via hardware called Management Complex command portals. SoC hardware provides significant numbers (at least 10s) of these portals because:

- They can be directly assigned to multiple different drivers, all of which independently use the Management Complex’s services. If they each have their own command portal, they do not have to coordinate with each other.
- Each independent driver instance has its own ID (ICID) that is securely associated with the command portal to prevent spoofing. This prevents a driver from being able to access for configuration an object that it does not "own".

To send a command to the Management Complex, driver software creates a descriptor and enqueues a pointer to it to the command portal.

Next consider objects. See [DPAA2 objects](#).

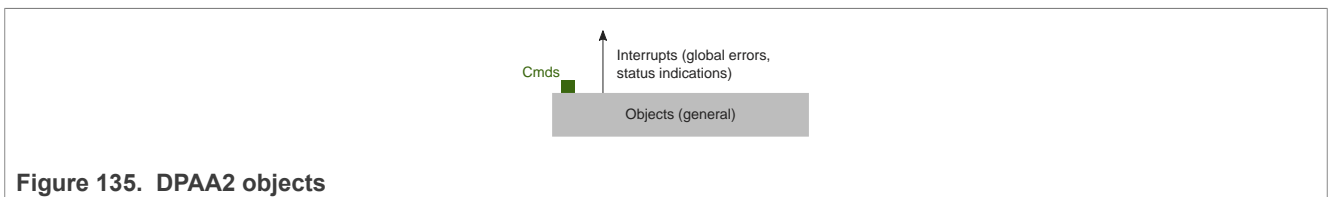


Figure 135. DPAA2 objects

Objects are created either via the DPL file or driver software sending a command to the Management Complex instructing it to create an object (as in `restool`). The Management Complex supplies a globally unique ID for the new object.

Object command interfaces are abstractions. There is no hardware that directly represents object command portals. Objects are usually hardware, but in most cases that hardware does not directly expose a hardware-level programming model to driver software. Instead, driver software configures objects via an indirect mechanism; it sends a command to the Management Complex. The command is a descriptor that includes the ID of the object as well as the definition of the operation to be performed.

The Management Complex automatically gets the ID of the requestor when it reads the command. The command portal securely adds it. The Management Complex then checks that the requestor is authorized to configure the object and, if so, performs the configuration on behalf of the requestor.

So, object configuration is a visible part of DPAA2, but the configuration of the individual hardware subcomponents that make up an object is not.

The fundamental programming model for object configuration is the commands that can be sent to the Management Complex to configure the object. Each object type has a different purpose so each object type’s configuration programming model is defined by the descriptor set that describes the commands to configure the particular type of object.

NXP also provides C callable APIs that basically allocate and populate descriptors and pass them as commands to the Management Complex. The APIs bear a close relationship to the more fundamental descriptors.

Many object types have nothing but a configuration space, but this is not always true. Some objects also provide I/O interfaces. The DPIO object is a prime example. See [DPIO object and I/O interfaces](#).

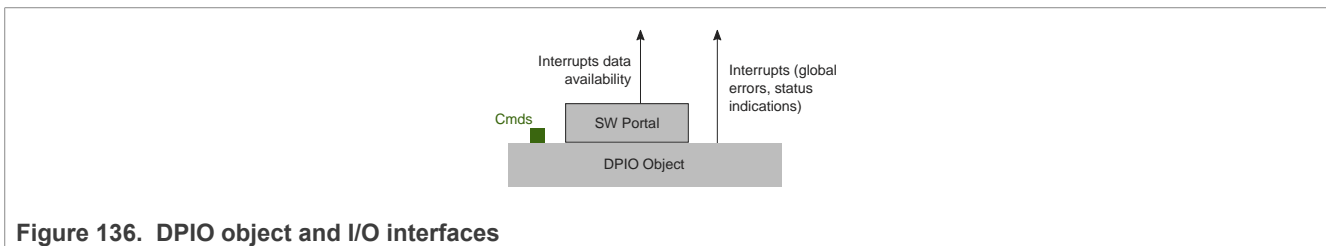


Figure 136. DPIO object and I/O interfaces

As has been stated before, DPAA2 objects are usually opaque bundles of hardware subresources allocated and configured to achieve a more abstract purpose. A DPIO object includes a hardware subresource called a QBMan software portal but this hardware is not opaque to the driver software running on the general-purpose processing cores. The reason is performance. Software portals are the hardware mechanism for actually doing I/O with DPAA2 peripherals so driver software must directly access them. There are also data availability interrupts associated with DPIOs. These indicate availability of data to read using the software portals.

**Note:** Software portals actually support more than I/O (enqueue onto queues and dequeue from them). They also support commands. The simplest examples are buffer acquires and releases. Without going into full detail, software portals actually support commands that require privilege (example: initialize a frame queue) and commands that do not (example: acquire a buffer). Driver software on general-purpose processing cores uses only the unprivileged commands. The privileged commands are not part of the visible architecture. They are used only by Management Complex firmware.

In summary, the visible architecture includes both hardware and abstractions as follows:

- Management Complex hardware associated with loading and running images
- Management Complex hardware associated with accessing global status
- Management Complex global interrupt
- Management Complex hardware command portals
- Objects themselves (abstraction):
  - Object configuration interface and command set as defined by descriptors (abstraction)
  - Object error interrupts
  - Some objects (like DPIO) also have additional interfaces that are hardware directly accessed by driver software. DPIO’s QBMan software portals are an example. They can produce interrupts.

7.3.1.4.2.2 Object creation, the datapath layout file, and restool

DPAA2 objects can be created in multiple ways. First, they can be specified in a Datapath Layout (DPL) file that the Management Complex reads and applies before Linux boots. This file contains the specific list of objects that are to be automatically created as the system initializes.

DPAA2 objects also can be created and destroyed dynamically by sending commands to the Management Complex through its command portals via a kernel driver. For Linux, a user space command-line tool called “restool” uses this interface to allow interactive and dynamic creation of objects. It also allows destruction and some additional configurations to be done.

Restool also shows information about objects and what they are connected to.

### 7.3.1.4.2.3 DPRC objects, plug and play, and the fsl-mc Linux “bus”

As mentioned previously, it is common for a GPP software component to manage multiple objects. The [DPIO parallelism](#) diagram shows a simple example of the Linux kernel managing a set of objects to provide a pair of network interfaces. The DPRC (Datapath Resource Container) is a special object that serves to organize other objects, and also the hardware subcomponents from which objects can be dynamically created; the hardware subcomponents include frame queues, channels, buffer pools, and so on. Containers can be created and filled with objects and resources and then passed to the software component, such as a virtual machine, that will use them.

The software that was assigned a DPRC can enumerate the objects inside it; this is a form of dynamic hardware discovery that relates to plug-and-play. For example, an operating system can scan a DPRC and associate all DPNI objects found within with an Ethernet driver that will use them to form network interfaces. The Ethernet driver then uses a dynamic allocator within the kernel to acquire other objects such as DPBPs that it needs to operate.

The device discovery analogy is strong enough that Linux exposes DPRCs assigned to it as a bus in sysfs--much like physical buses like PCI. The same sysfs mechanism that allows a physical PCI device to be assigned (bound) to virtual machines are also used to assign containers to virtual machines. Objects can even be dynamically added and removed from DPRCs. This is analogous to hot plug and unplug on a bus.

Many DPAA2 objects are DMA-capable so that they can autonomously read and write memory. SoCs like the LS2088A contain an IO-MMU, so objects must express an identifier (that they cannot control) when they perform DMA operations. This identifier is called an ICID in DPAA2, and it serves as a key for the IO-MMU to associate I/O virtual addresses with I/O physical addresses. In DPAA2, ICIDs are attributes of DPRCs, and all objects in a DPRC express the same ICID value.

A GPP software context (a virtual machine or application) will typically be assigned a single DPRC that contains all the fsl-mc resources that the software context can access or use. As mentioned elsewhere, there are two general types of resources that can be in a container:

- **Resources:** Resources are primitive resources that cannot be further decomposed, and are uninitialized and unpurposed. Some examples are MC portals, QBMan portals, frame queues, buffer pools, and so on. Generally primitives are “fungible,” in that there is nothing distinctive among the same kind of primitives. However, some primitives may be non-fungible, such as an external port or MAC.
- **Objects:** Objects are created and configured with a purpose, typically constructed of multiple resources. Some examples of objects are network interfaces, an L2 switch, or a crypto instance. A DPRC is itself a fsl-mc object.

**Note:** See *documentation of the Linux restool facility for more information related to this topic.*

## Management Complex (MC) initialization and boot

The MC is normally enabled and initialized by system boot firmware such as U-Boot. The boot firmware is responsible for reserving a region of memory (DDR) for the fsl-mc, and then loading the MC firmware into memory, loading a datapath layout file (see below for DPL overview info), and writing a bit to enable/start the MC. See [Management Complex initialization and boot](#).

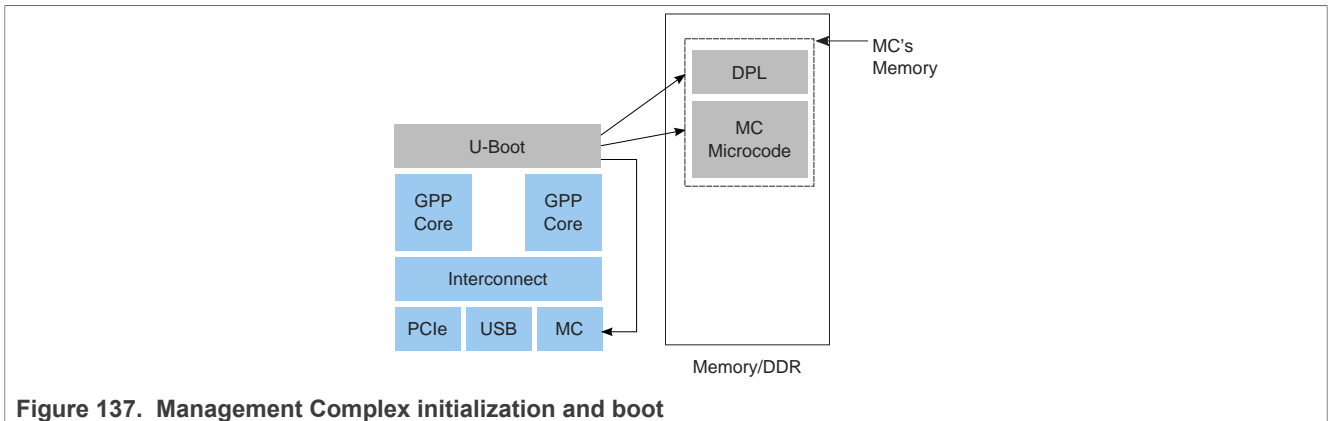


Figure 137. Management Complex initialization and boot

### Management Complex datapath layout file (DPL)

As mentioned above, a datapath layout file (DPL) must be supplied to the Management Complex when it is booted. The DPL contains the definitions of initial objects and containers/DPRCs to create.

A DPL is defined in a text file in device tree syntax (DTS) format and then compiled into a standardized DTB binary format (used by ePAPR compliant device trees).

See the *DPAA2 User Manual* for more information and examples on the datapath layout file.

### Bootloader use of the MC

In typical usage, the bootloader loads the MC firmware image and starts the MC running. At this time, it supplies a data path control (DPC) file that supplies the MC image with basic configuration information that allows it to operate.

The bootloader can now use the services of the MC in order to access network devices. It is a good approach to have the bootloader dynamically create the objects it needs and destroy them (releasing resources) before starting the operating system. This way, the operating system is not forced to operate with the constraints of objects and DPRCs established by the bootloader. The OS can see a "green field".

Optionally, the bootloader can apply the data path layout (DPL) file mentioned above just before starting this OS. This approach allows the DPL to be written only to serve the operating system's needs and not the bootloader's, which tend to be much simpler.

### DPRCs are hierarchical

The MC manages DPRCs in a hierarchical relationship. There is a single root DPRC at the root of the hierarchy. That DPRC can have child DPRCs, children can have grandchildren, and so on. The root DPRC belongs to the root software context of the system, usually an OS or hypervisor and it should never be unbound from the corresponding driver. The root DPRC can further allocate its resources to its child DPRCs and assign them to other entities such as user space applications or virtual machines.

In this example there are 3 DPRCs/containers managed by the Management Complex: a root container "root" with 2 children "foo" and "bar". The DPRCs all contain 3 objects, a DPNI, DPBP, and DPIO. There are 3 software contexts: the host Linux, a user space application, and Linux in a KVM virtual machine. Each software context is assigned a DPRC that it can use and manage; see [DPRC hierarchy](#) for a figure that illustrates this example.

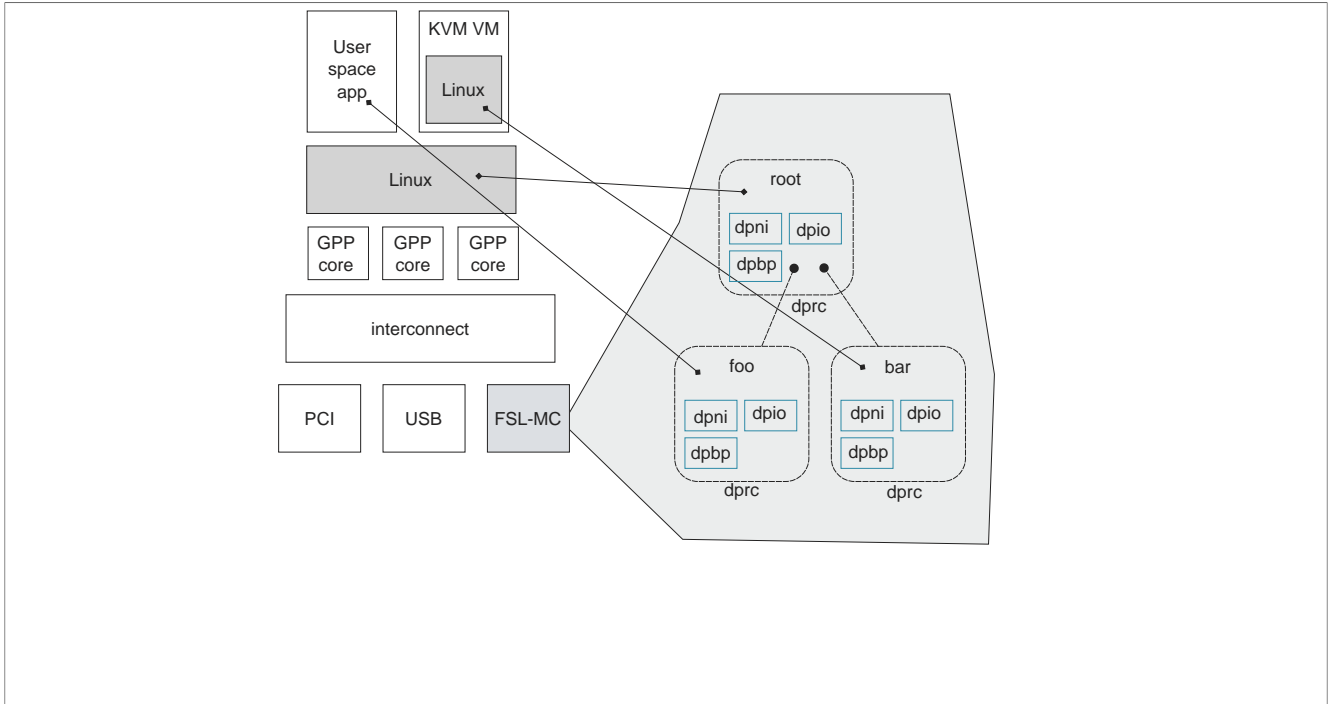


Figure 138. DPRC hierarchy

The container hierarchy allows the parent to manage the resources of the children. If the OS in the KVM VM crashes, the parent (Linux) can reset and clean up the VM's DPRC. If the user space application terminates, the parent (Linux) has the option of destroying the container.

### 7.3.1.4.3 Objects and topology

As mentioned elsewhere, objects have a topological relationship with each other. See [Object topology example](#) for an example.

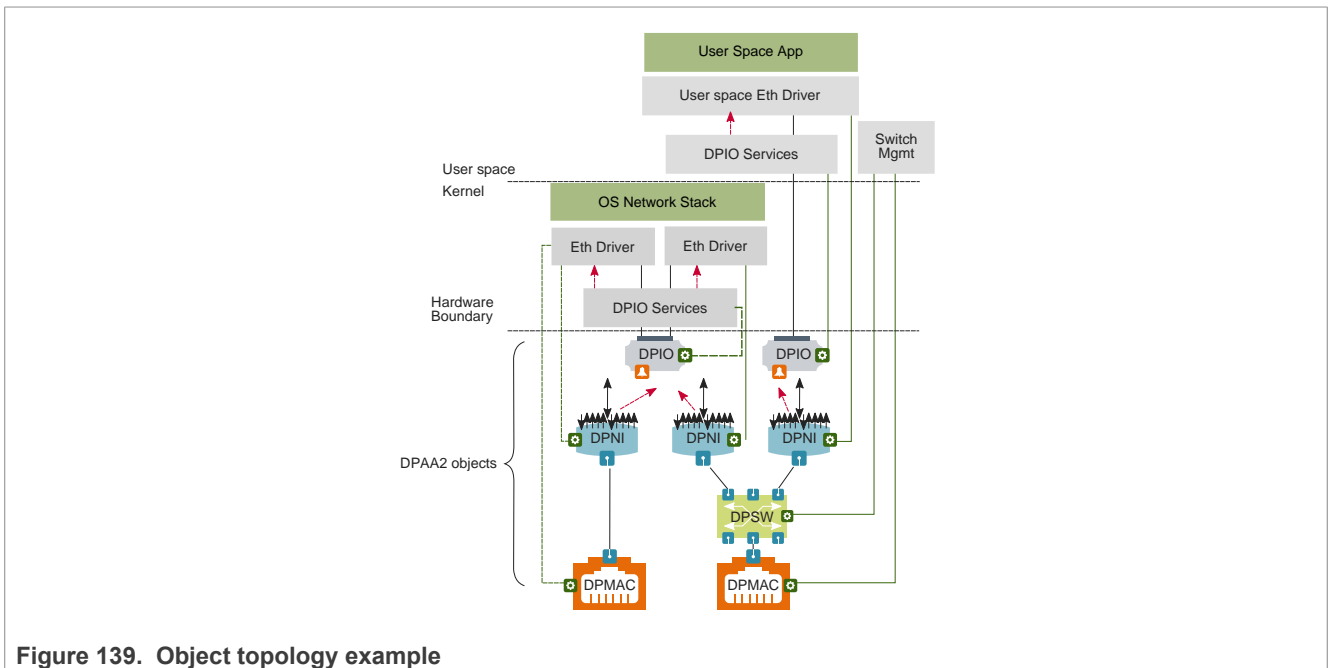


Figure 139. Object topology example

- There are three network interfaces managed by the DPAA2 Linux Ethernet driver. Each of the network interfaces uses a DPNI object.
- All of the Ethernet drivers happen to have a distribution width of one (an example), so they cannot load balance to multiple cores or threads; this was done to simplify the diagram and discussion. If a network interface has a distribution width greater than one, then many times it is connected to more than one DPIO but this is not required.
- Two of the network interfaces are connected to a switch; two DPNI are connected to a DPSW. This allows both network interfaces to communicate outside SoC using the DPMAC that is also connected to the DPSW, and they can also communicate with each other using the DPSW.
- One of the network interfaces is directly assigned to a user space process, and has a user space Ethernet driver. This network interface could also be directly assigned to a KVM virtual machine under Linux.
- Two of the DPNI have Linux network stack drivers; they interface to the Linux network stack. One of them has its own DPMAC, and a traditional type of controller represented by its DPNI being directly connected to a DPMAC.
- The two DPNI connected to the Linux network stack share a single DPIO; this is possible when they can cooperatively use a layer of GPP software that provides DPIO services. The hardware that makes up a DPIO is a QBMan software portal and, optionally, a QMan channel for data availability notifications. QBMan software portals are a relatively scarce hardware resource, so they are designed to be sharable, in particular for NAPI-compliant Linux Ethernet drivers.
- It is a key assumption of DPAA2 that objects are managed (or “owned”) by a single software entity. Independent software entities can independently manage the objects they own, and this allows software to be decoupled from other entities.
- The management relationship between objects and software entities is not defined or imposed by DPAA2; DPAA2 defines the objects and what they do, and not what software uses them. Customer GPP core software is allowed to determine the management relationship; a single monolithic software entity that manages all of the objects can be created.
- The Linux DPAA2 Ethernet driver design defines the set of objects needed to provide a network interface. The green lines show the management relationships for Linux network interfaces and switches. Note that switches are managed independently from the network interfaces that connect to it.

The *DPAA2 User Manual* provides a complete description of the rules that govern object topology.

## 7.3.2 DPAA2 Quick start guide

### 7.3.2.1 Data Path Resource Containers

Many sections refer to Data Path Resource Containers (DPRC), so a brief introduction to the concept may be helpful. DPRCs are part of the DPAA2 object architecture that is described in the [DPAA2 Software Overview](#).

DPRCs are communicated to software entities as a part of their startup process; this is true for software entities such as:

- The host Linux kernel (that may provide KVM services to virtual machines)
- Linux kernel instances that run in virtual machines
- DPDK applications

DPRCs contain DPAA2 objects that are used by the software entity that owns the DPRC. For example, DPNI objects are used as network interfaces.

As an example, see [Section 7.3.2.2.3.1](#). The DPRC called “dprc@1” is supplied to the host Linux kernel. It contains one DPNI object. The DPNI object binds to the DPAA2 Linux kernel Ethernet driver, and causes two standard Linux Ethernet interfaces to exist and be visible using “ifconfig”. See later sections in this document for additional details and explanations on the use of objects by various types of software entities.

As mentioned previously, DPRCs must be created and populated with the initial set of DPAA2 objects prior to the startup of the software entity that will use the DPRC.

### 7.3.2.1.1 Creating DPRCs

There are two ways to create and populate DPRCs:

1. Statically: by means of a control file called a datapath layout (DPL) file. [Section 7.3.2.2](#) describes the DPL files that are supplied as examples with the Linux SDK.
2. Dynamically: by means of the Linux command-line utility called `restool`. See [DPRCs and restool](#) section, and also the document titled *Standard Linux Documentation*.

A software entity behaves exactly the same way on startup regardless of whether its DPRC was created statically using a DPL or dynamically using `restool`. The DPL method is convenient for situations when the desired DPRCs are known in advance. DPRCs defined within the DPL are created and populated automatically with no need for a subsequent use of `restool`.

### 7.3.2.1.2 DPRCs and Hot Plug

A DPRC must be supplied to a software entity when the software entity is started; this implies prior creation of the DPRC. However, it is also possible to dynamically alter the contents of a DPRC *after* the software entity that is using it is already running; this is a form of hot plug.

For example, `restool` can be used to dynamically create a DPNI object and then assign it to a DPRC. If that DPRC is being used by a Linux kernel instance, this will cause that kernel to dynamically detect a new network interface and bind it to the Linux kernel Ethernet driver; the `ifconfig` command will now show a newly created network interface.

It is also possible to dynamically destroy or unassign objects within an in-use DPRC; this is a form of hot unplug. Hot plug and unplug are advanced topics, and not covered further here. The key take-away is that dynamically creating and populating a DPRC *before* supplying it to software entity when it is started is a very different use case than hot plug/unplug. The latter use case involves changing the contents of a DPRC *while it is in use* by a software entity.

### 7.3.2.2 Key Release Files: RCW, DPC and DPL

This section describes the key binaries that are available on the RDB. These include the reset configuration word (RCW), the data path configuration (DPC) and the data path layout (DPL) files.

#### 7.3.2.2.1 RCW

The reset configuration word (RCW) resides in non-volatile memories (for example, NOR, QSPI, SDHC). It gives flexibility to accommodate a large number of configuration parameters to support a high degree of configurability of the SoC. Configuration parameters generally include:

- Frequencies of various blocks including cores/DDR/interconnect.
- IP pin-muxing configurations
- Other SoC configurations

The RCW's provided with the release enable the following features:

- Boot location as NOR flash
- Enables 4 UART without flow control
- Enables I2C1, I2C2, I2C3, I2C4, SDHC, IFC, PCIe, SATA

The figure below shows the SerDes configuration supported for DPAA2 platforms. Note that each platform supports up to 5 ports out of the 8 available on the RDB at a time.

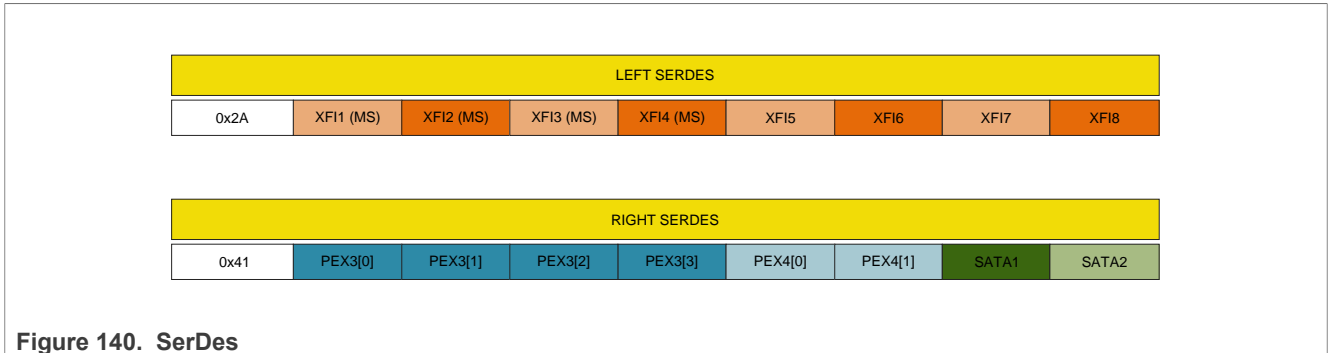


Figure 140. SerDes

### 7.3.2.2.2 Data path configuration file (DPC)

The data path configuration (DPC) contains board-specific and system-specific information that overrides the default DPAA hardware configuration.

The release provides one data path configuration (DPC) file per board type. This file specifies the following information:

- default logging mode for the Management Complex (MC)
- default board MACs
- default number of DPAA channels with 2 and 8 work-queues

The DPC is based on a text source file similar to a device tree source file (DTS) and should be compiled using the DTC utility to form a binary structure (blob, similar to DTB).

### 7.3.2.2.3 Data path layout file (DPL)

The data path layout file (DPL) defines the containers created during MC initialization. In order to compile the DPL, the device tree compiler (DTC) tool needs to be installed on the host system.

As described in [Section 7.3.2.1.1](#), the example DPL source code is provided in the *dpl-examples* package.

The DPL file specifies the basic resources needed for a simple use case; other resources are created and managed dynamically using restool capabilities. For each of the use cases included in this document, there is a diagram that depicts the objects that are necessary for that use case.

The DPL is based on a text source file (similar to a device tree source file (DTS)) and compiled with the DTC utility to form a binary structure (blob, similar to DTB). The DPL file should be compiled to a binary blob using standard DTC tool.

Using a static DPL is not a requirement since restool can be used to dynamically create/manage objects and resources.

#### 7.3.2.2.3.1 LS2088A RDB DPL

The source for the RDB DPL is in the *dpl-examples* package:

- `dpl-examples/LS2088a/RDB/dpl-eth.0x2A_0x41.dts`

The figure below shows a graphical view of the container configuration:



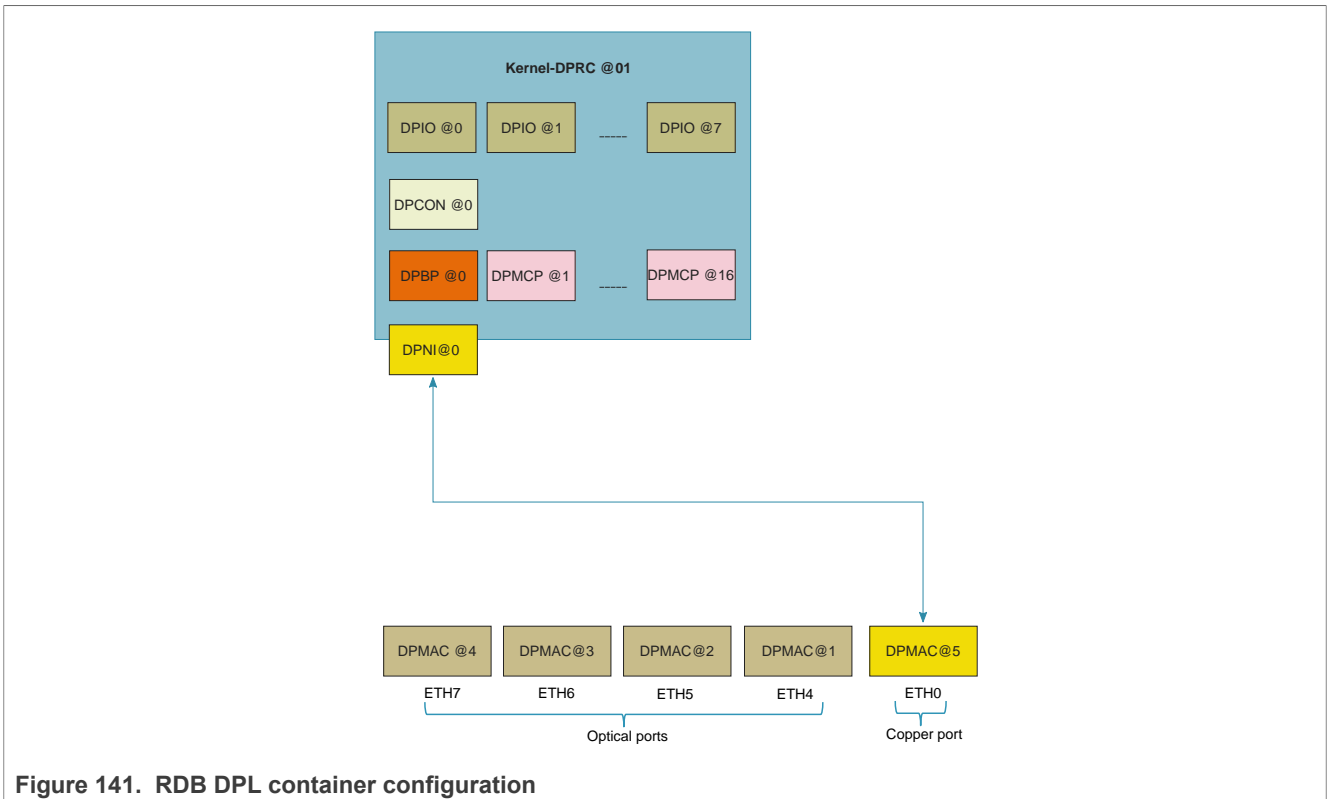


Figure 141. RDB DPL container configuration

### 7.3.2.2.3.2 LS1088A RDB DPL

The source for the RDB DPL is in the *dpl-examples* package:

- `dpl-examples/ls1088a/RDB/dpl-eth.0x1D_0x0D.dts`

The figure below shows a graphical view of the container configuration:

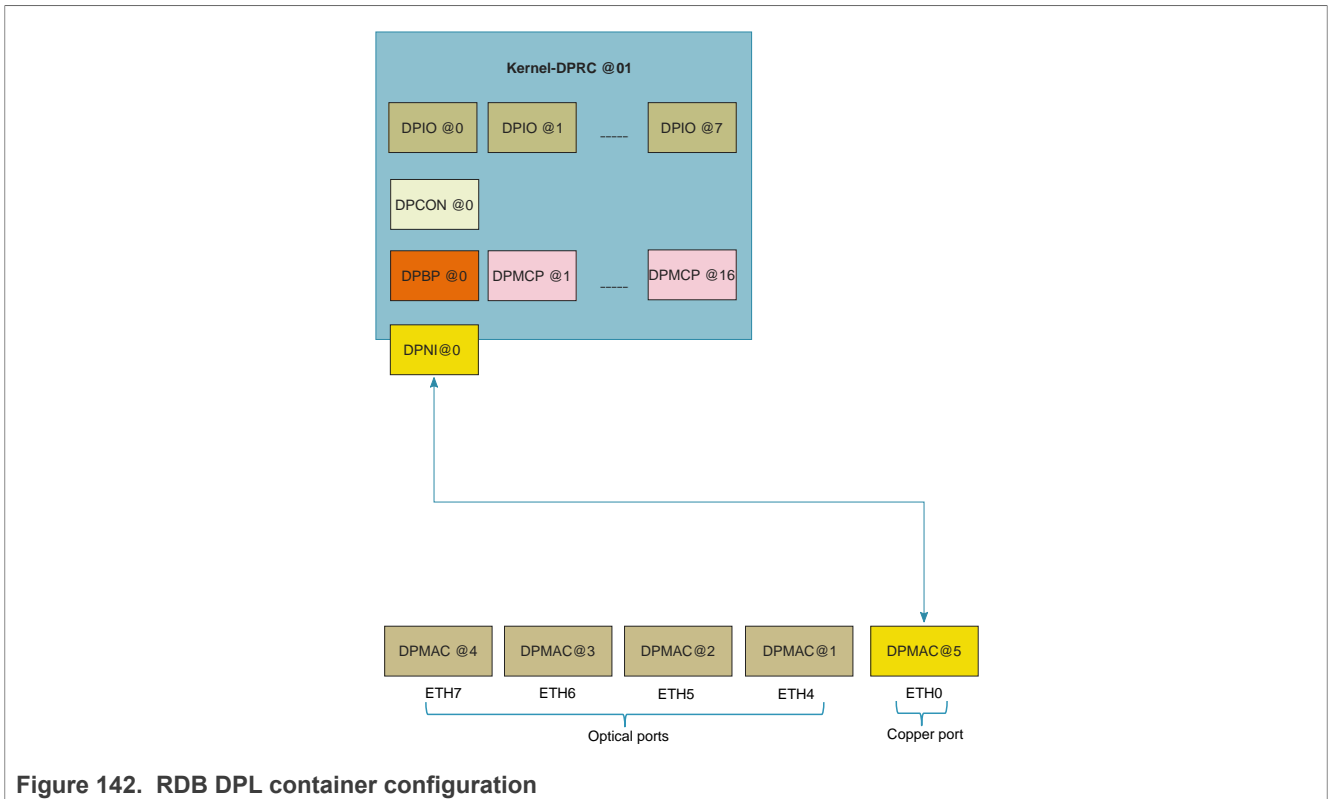


Figure 142. RDB DPL container configuration

### 7.3.2.2.3.3 DPRCs and restool

The release provides a Linux command-line tool called `restool` that can be used for examining the resource containers used for managing DPAA2 objects and resources. See the [DPAA2 Overview](#) for an overview of DPAA2 and the data path resource containers (DPRCs). Also see the [Standard Linux Documentation](#) for details about functionality and use of `restool`.

Given below is an example of using `restool`:

List dprc:

```
$ restool dprc list
dprc.1
```

List all objects in container dprc.1:

```
$ restool dprc show dprc.1
dprc.1 contains 33 objects:
object label plugged-state
dpio.7 dpio.7 plugged
dpio.6 dpio.6 plugged
dpio.5 dpio.5 plugged
dpio.4 dpio.4 plugged
dpio.3 dpio.3 plugged
dpio.2 dpio.2 plugged
dpio.1 dpio.1 plugged
dpio.0 dpio.0 plugged
dpni.0 dpni.0 plugged
```

```
dpbp.0 plugged
dpmac.5 plugged
dpmac.4 plugged
dpmac.3 plugged
dpmac.2 plugged
dpmac.1 plugged
dpcon.0 plugged
dpmcp.0 plugged
dpmcp.16 plugged
dpmcp.15 plugged
dpmcp.14 plugged
dpmcp.13 plugged
dpmcp.12 plugged
dpmcp.11 plugged
dpmcp.10 plugged
dpmcp.9 plugged
dpmcp.8 plugged
dpmcp.7 plugged
dpmcp.6 plugged
dpmcp.5 plugged
dpmcp.4 plugged
dpmcp.3 plugged
dpmcp.2 plugged
dpmcp.1 plugged
```

#### Get information about dpni.0:

```
$ restool dpni info dpni.0
dpni version: 8.4
dpni id: 0
plugged state: plugged
endpoint state: -1
endpoint: No object associated
link status: 0 - down
mac address: d6:b7:4b:0f:f4:0f
max frame length: 10240
dpni_attr.options value is: 0
num_queues: 16
num_cgs: 1
num_rx_tcs: 1
num_tx_tcs: 1
mac_entries: 16
vlan_entries: 0
qos_entries: 0
fs_entries: 64
qos_key_size: 0
fs_key_size: 56
num_channels: 1
num_opr: 0
ingress_all_frames: 0
ingress_all_bytes: 0
ingress_multicast_frames: 0
ingress_multicast_bytes: 0
ingress_broadcast_frames: 0
ingress_broadcast_bytes: 0
egress_all_frames: 0
egress_all_bytes: 0
egress_multicast_frames: 0
egress_multicast_bytes: 0
egress_broadcast_frames: 0
```

```
egress_broadcast_bytes: 0
ingress_filtered_frames: 0
ingress_discarded_frames: 0
ingress_nobuffer_discards: 0
egress_discarded_frames: 0
egress_confirmed_frames: 0
ceetm_stats channel 0, TC 0
ceetm_dequeue_bytes: 0
ceetm_dequeue_frames: 0
ceetm_reject_bytes: 0
ceetm_reject_frames: 0
cgr_reject_frames: 0
cgr_reject_bytes: 0
policer_cnt_red: 0
policer_cnt_yellow: 0
policer_cnt_green: 0
policer_cnt_re_red: 0
policer_cnt_re_yellow: 0
tx_pending_frames_cnt: 0
```

### 7.3.2.3 Linux Ethernet

This section provides guidelines on exercising creation, functionality and statistics of Linux DPAA2 Ethernet interfaces.

#### 7.3.2.3.1 Features overview

The following is an overview of the functionality of the Linux DPAA2 Ethernet driver:

- Primary MAC address change
- Scatter-gather support
- Checksum offload
- MAC filtering
- Large frame support
- GRO – generic receive offload
- Egress traffic shaping
- Rx hashing
- Rx flow steering
- Flow control pause frames
- Interface statistics
- XDP
- MQPRIO qdisc support
- CEETM support
- Software TSO (TCP Segmentation Offload)
- Rx interrupt coalescing

#### 7.3.2.3.2 Compiling and selecting Kconfig options

The DPAA2 Ethernet driver is by default selected by the kernel configuration shipped with the SDK, with a set of sensible compile-time defaults. The driver path in the kernel config file is: " Device Drivers -> Staging drivers -> Freescale DPAA2 devices -> Freescale DPAA2 Ethernet" (CONFIG\_FSL\_DPAA2\_ETH).

The following Kconfig selects are also available, but not checked by default:

- **Data Center Bridging (DCB) Support** (`CONFIG_FSL_DPAA2_ETH_DCB`): This option depends on "Data Center Bridging support" (`CONFIG_DCB`). It is required when configuring the Priority-based Flow Control (PFC) scenarios.
- **DPAA2 Ethernet CEETM QoS** (`CONFIG_FSL_DPAA2_ETH_CEETM`): This option enables the use of a custom CEETM qdics to offload egress Qos support.

**7.3.2.3.3 Creating a DPAA2 network interface**

This section documents the resource utilization and the necessary steps for creating a DPAA2 network interface (DPNI) in Linux.

A DPNI can be created either statically through the DPL file or dynamically using the 'restool' utility.

**7.3.2.3.3.1 DPAA2 objects dependencies**

This section documents the steps to create a DPNI and related objects in order to have a fully functional network interface. It describes the dependencies a DPNI has on other DPAA2 objects.

This is of interest to anyone who changes a static DPL file or uses *restool* commands to dynamically create: restool to create a DPNI (For LS1088A see Using restool to create a DPNI).

The DPAA2 object definition allows for flexible software architectures. The Linux drivers, in particular the Ethernet driver, are additionally bound by requirements from the kernel architecture. This enforces a certain usage model of the DPAA2 objects that the DPNI interacts with; in particular, it affects the number of various other DPAA2 objects that a DPNI need s.

Generally, the Linux Ethernet driver requires private DPAA2 resources (for example, Frame Queues) and objects (for example, DPCON objects), distinct from other DPNIs. There are exceptions, such as the DPIO or DPMAC, which are not owned by the DPNI. To create a DPNI, either statically in DPL or dynamically using 'restool', the following types of objects may need to be instantiated in the current container (that is, made available if they are not already):

- DPBP
- DPMCP
- DPCON
- DPIO
- DPMAC

The significance and number of these objects per DPNI are detailed in the following table:

Object	Private to DPNI?	Cardinality	Comments
DPBP	Yes	1 per DPNI	Each network interface (NI) has private buffer pools, not shared with other NIs.
DPMCP	Yes	1 per DPNI 1 per DPMAC 1 per DPIO	MC command portals (MCPs) are used to send commands to, and receive responses from, the MC firmware. One such example is configuring DPNI functionality like hashing or checksumming, but DPNI statistics are also queried via the MCPs.  Like the DPNI, each DPMAC/DPIO object also requires one private DPMCP.
DPCON	Yes	Rx hash size/ number of transmitter queues ("num_	DPCONs are used to distribute Rx or Tx Confirmation traffic to different GPPs, via affine DPIO objects. The implication is that one DPCON must be available for each GPP we want to distribute Rx or Tx Confirmation traffic to. Rx and Tx Confirmation share the same DPCONs if they are

Object	Private to DPNI?	Cardinality	Comments
		queues”) of the DPNI.	<p>available. (If, for example GPP #0 processes both types of traffic, one DPCON is enough. If in addition GPP #1 processes only Tx Confirmation traffic, then a second DPCON is necessary.)</p> <p>Since we must be able to distinguish between traffic from different NIs arriving on the same GPP, the DPCONS must be private to the DPNIs. These design constraints may cause a relatively large consumption of DPCONS by DPNI's with large Rx distribution width. The DPNI's Rx distribution width is implemented by the "num_queues" property (see <a href="#">Section 7.3.2.3.4.9</a> for extra information).</p> <p>Notes:</p> <p>DPCONS' main hardware resource are the Work Queues (WQs). The DPCONS come in 2 flavors: 2-WQ and 8-WQ DPCONS, depending on the number of traffic class priorities the object is going to support. (Note: the Ethernet driver only supports one traffic class at the moment, so using 2-WQ DPCONS is safe and enough.) The MC firmware can convert any number of 8-WQ DPCONS to four times as many 2-WQ DPCONS, depending on the static configuration provided at boot.</p> <p>Since WQs are a limited hardware resource, DPCONS tend to be limited, too, especially the 8-WQ flavor. The DPNI's being one of the major consumers of DPCONS, the current SDK ships with a default configuration where a number of the 8-WQ DPCONS are converted to 2-WQ DPCONS, thereby increasing their availability.</p> <p>Note that DPIO objects themselves transparently consume DPCONS (one per DPIO object), which therefore must be subtracted from the total number available to the DPNI's (they need not be explicitly declared in the DPL, but they are simply not available to the rest of the system). The system can provide up to 64 8-WQ DPCONS (and up to 256 2-WQ DPCONS and combinations thereof). So for a container with 8 DPIOs, only up to 56 8-WQ DPCONS will be in fact available for DPNI configuration.</p>
DPIO	No	One per running GPP	<p>DPIOs are used to provide data availability notifications to the GPPs. For each GPP that we want to distribute traffic to, there must be an affine DPIO. While DPIOs are the source of data availability interrupts, the DPCONS are used (among other things) to identify the NI that has produced ingress data to that GPP.</p> <p>Due to a known limitation, the number of DPIOs in a container must not be less than the number of running GPPs. The static DPL in this release defensively provides 8 DPIOs at boot-time, one for each running GPP.</p>
DPMAC	No	User-defined.	<p>DPMACs are proxy objects which link DPNI's to external PHYs on the board. DPMACs effectively decouple DPNI's from the PHYs they are linked to (if they are indeed linked to an external PHY, which is in fact transparent to the DPNI). As such, the DPMACs are not "owned" by a DPNI, which is unaware of their presence, but they can be "connected" to the DPNI, via the DPL file or 'restool'. DPMACs can be connected to other types of objects, too, such as the EVB.</p> <p>Having DPMACs connected to external PHYs depends on the board wiring and is strictly confined to the SerDes configuration.</p> <p>See also: <a href="#">Section 7.3.2.3.3.3</a>.</p>

### 7.3.2.3.3.2 Static DPNI definition

The default DPL provides a simple DPNI object definition, under the `dpni@0` node as follows:

```
dpni@0 {
 options = "";
 num_queues = <1>;
 num_tcs = <1>;
};
```

The DPNI object is linked to a DPMAC object, also created in the DPL, via the “connections” node as follows:

```
connections {
 connection@5{
 endpoint1 = "dpni@0";
 endpoint2 = "dpmac@5";
 };
};
```

The DPNI object can be more complex, as in the following enhanced example of a DPNI node:

```
dpni@1 {
 options = "DPNI_OPT_HAS_KEY_MASKING";
 num_tcs = <1>;
 num_queues = <8>;
 mac_filter_entries = <64>;
};
```

In this example, `dpni@1` has more options declared than `dpni@0` in the previous example. In addition, it can distribute traffic to more GPPs than `dpni@0`, as declared by the “`num_queues`” attribute.

The following section describes the DPNI bindings in the DPL file.

### DPNI bindings

- The `num_queues` attribute indicates the number of queues to be used for transmission as well as the number of Rx queues (hash distribution size). This also implicitly defines the number of queues used for Tx Confirmation, since each “sender” uses a dedicated queue for confirmations. This may impact the number of necessary DPCON objects, see section [“DPAA2 objects dependencies”](#) for details on resourcing the DPNI.
- `num_tcs` represents the number of traffic classes; maximum supported value is 8.
- `options` allows the creation of a DPNI object with non-default options
- Other possible attributes are listed below. Unless otherwise stated, attributes with value `<0>` receive a default, non-trivial, value from the MC firmware and can be skipped from the DPL altogether.
  - `fs_entries`
  - `vlan_filter_entries`
  - `mac_filter_entries`

**Note:** See MC documentation for all available options and supported values.

### 7.3.2.3.3.3 DPMAC configuration

This section is a brief introduction to DPMAC objects and their relation to the DPNI.

DPMACs are essentially proxies to external PHYs, which are board-level components and therefore not managed by the MC firmware.

DPMACs can be connected to other DPAA2 objects, such as DPNI, DPDMUX and DPSW. For example, to statically connect a DPMAC to a DPNI in the DPL file, the “connections” node is used:

```
connection@5{
 endpoint1 = "dpni@0";
 endpoint2 = "dpmac@5";
};
```

In this DPL example, DPNI0 is connected to DPMAC5, which the MC thereon connects to a lane depending on the current SerDes. Unlike most other DPAA2 objects, the id of the DPMAC (in this example, “5”) is relevant as the MC uses it to identify a physical MAC (at the moment, there is no other property of the DPMAC object to do that).

#### 7.3.2.3.3.4 Dynamically creating a DPNI

This section explains the steps to create a DPNI using the *restool* utility and the *restool* wrapper scripts.

##### Using restool to create a DPNI

DPNIs can be dynamically created and plugged into the Linux container using the *restool* utility. Before creating a DPNI, one must create a number of DPAA2 objects (dependencies), for which multiple *restool* commands are needed. This section provides simple examples of commands that should be used to create a working DPNI (Linux network interface) and its dependencies. Usage of the Restool Wrapper Script bundled with the SDK is encouraged, because of their better ease-of-use.

In order to create an object, the “restool create” command must be executed and then the new object can be assigned to a container. For example, to create a DPBP object:

```
$ restool dpbp create dpbp.1 is created under dprc.1 $ restool dprc assign
dprc.1 --object=dpbp.1 --plugged=1
```

For automation purposes, the “--script” flag can be used, reducing the verbosity of the command output. Object properties can be specified at creation time as follows:

```
$ restool --script dpio create --channel-mode="DPIO_LOCAL_CHANNEL" --num-
priorities=8
dpio.8
```

To create a DPNI, a number of DPMCP, DPBP and other dependencies are required, if they do not exist already in the container, see [Section 7.3.2.3.3.1](#) for details on the types and number of DPNI dependencies. The static DPL from the current release already defines 8 DPIO objects, one for each running GPP, so adding new DPIOs is not normally required. Also, the maximum number of DPMACs supported on LS2088A and LS1088A are already created in the static (default) DPLs, so adding new ones is not necessary in the default configuration.

The general steps to create and configure a DPNI using *restool* are:

1. Create DPAA2 object dependencies (DPBPs, DPCONS, DPMCPs, and so on);
2. Create and parametrize the DPNI;
3. Connect the DPNI to another object (typically but not necessarily a DPMAC).

The Restool Wrapper Script automatically takes care of the DPNI resourcing and parameterization, therefore we encourage their use instead of bare *restool* for complex objects like the DPNI.



## Restool Wrapper Scripts

User-friendly scripts are provided in the release rootfs to assist dynamic creation of DPNI and associated dependencies. They also implement parameter restrictions and workarounds related to known limitations of the DPAA2 objects in the current SDK release.

The following scripts are available to interact with DPNI and DPMAC objects, respectively Linux network interfaces: `ls-addni`, `ls-listni`, `ls-listmac`.

### 1. `ls-addni`

This script creates a new DPNI object, required dependencies (potentially DPBP, DPMCP, DPCON, DPMAC, depending on the options being passed to the script) and an associated Linux network interface. The script can be used to connect the newly created DPNI to another DPNI, DPMAC or DPDMUX, which must be already created and not currently connected.

The script supports a multitude of parameters to fine-tune configuration of the DPNI; in fact, it is intended to support every parameter as *restool* itself for creating DPNI. An empty list of options will choose sensible defaults for maximal performance of the new DPNI, such as Rx hashing to the maximum number of cores. Adding a new DPNI has the effect of discovering the new object on the Linux mc-bus and probing it as a new Ethernet device. This results in a new Linux network interface becoming available. The new interface has the name `eth<X>`, where `X` depends on the order in which the interfaces are probed and on what other interfaces (for example, PCIe NIC) are present. The mapping between the DPNI object and the interface name is shown by the `ls-listni` command.

Utilization examples:

```
ls-addni dpmac.6
[70218.813064] fsl_dpaa2_eth dpni.4: Probed interface eth2
Created interface: eth2 (object:dpni.4, endpoint: dpmac.6)
```

This is probably the most typical usage example. It creates a network interface (`eth2`) and the underlying `dpni` (`dpni.4`) and connects it to an external MAC (`dpmac.6`).

Connecting DPNI to DPMACs is not the only option, though:

```
ls-addni -n
[70270.944458] fsl_dpaa2_eth dpni.5: Probed interface eth3
Created interface: eth3 (object:dpni.5, endpoint: none)
```

This command creates the unconnected object `dpni.5` and the respective Linux interface `eth3`. Not being connected to anything, there is little practical use for this interface; therefore, a command such as the following would be used:

```
ls-addni dpni.5
[70312.255487] fsl_dpaa2_eth dpni.6: Probed interface eth4
Created interface: eth4 (object:dpni.6, endpoint: dpni.5)
```

This command creates another network interface `eth4` (and the underlying `dpni.6` object) and connects it with the previously created `eth3` (`dpni.5`) interface.

#### Notes:

`ls-addni --help` list all supported options.

Although it is technically possible to connect a DPNI to itself, the wrapper scripts do not support this. For LS1088A-specific information, see the "Add and destroy network interfaces" subsection of the "Quick start guide for LS1088ARDB" section.

### 2. `ls-listni`

This script lists all the `dpni` objects available in the root and child containers, the associated network interface name, the end point and the label.

Output after running the above examples (`dpni.0` through `dpni.3` had been statically defined in the DPL):

```
ls-listni
dprc.1/dpni.6 (interface: eth4, end point: dpni.5)
```

```
dprc.1/dpni.5 (interface: eth3, end point: dpni.6)
dprc.1/dpni.4 (interface: eth2, end point: dpmac.6)
dprc.1/dpni.3
dprc.1/dpni.2
dprc.1/dpni.1
dprc.1/dpni.0 (interface: eth1, end point: dpmac.2)
```

### 3. ls-listmac

This script lists all the dpmac objects available in the root and child containers, the associated network interface name, the end point and the label.

Output after running the above examples (dpni.0 had been connected to dpmac.2 in the static DPL):

```
ls-listmac
dprc.1/dpmac.10
dprc.1/dpmac.9
dprc.1/dpmac.8
dprc.1/dpmac.7
dprc.1/dpmac.6 (end point: dpni.4)
dprc.1/dpmac.5
dprc.1/dpmac.4
dprc.1/dpmac.3
dprc.1/dpmac.2 (end point: dpni.0)
dprc.1/dpmac.1
```

#### 7.3.2.3.4 DPAA2 Ethernet features

This section presents the individual functions of the Linux DPAA2 Ethernet driver.

##### 7.3.2.3.4.1 Bring up the bootstrap DPNI interface

From Linux, interfaces are visible through the 'ifconfig' command. The DPAA2 interfaces are named as "eth<X>", where X depends on the order in which the interfaces are probed.

The default DPL file shipped with the current BSP release contains one statically defined DPNI object (DPNI.0).

DPNI.0 is configured with a minimal set of resources – for example, it can only receive traffic on GPP0 – and its intended uses are network boot and low-bandwidth traffic. For fully featured DPNI objects, dynamic configuration is recommended (see [Section 7.3.2.3.3.4](#)).

For IP connectivity between the default interface and an external host, first assign a valid IP address to it as in the following example:

```
$ ifconfig eth1 192.168.1.2
```

Assuming the remote peer has address 192.168.1.1, ping to test as shown:

```
$ ping 192.168.1.1
PING 192.168.1.1 (192.168.1.1) 56(84) bytes of data.
64 bytes from 192.168.1.1: icmp_seq=1 ttl=64 time=87.0 ms
```

##### 7.3.2.3.4.2 Primary MAC address change

Changing the primary MAC address of a Linux Ethernet interface is supported without the need to bring down the interface.

For example:

```
$ ifconfig eth1 hw ether 02:00:C0:01:02:0a
```

```
$ ip link set dev eth1 address 02:00:C0:01:02:0b
```

#### 7.3.2.3.4.3 Scatter/gather configuration

The Ethernet driver supports scatter/gather (S/G) on both the transmit and receive side. The S/G option can be configured through `ethtool` on Tx; on Rx, S/G support is always on. For example, in order to see the current state of the device features and hardware offloads for device `ni0`:

```
$ ethtool -k eth1
Features for eth1:
[...]
scatter-gather: on
 tx-scatter-gather: on
[...]
```

In order to change the S/G status of the Linux Ethernet interface `ni0`:

```
$ ethtool -K eth1 sg off
Actual changes:
scatter-gather: off
 tx-scatter-gather: off
generic-segmentation-offload: off [requested on]
$ ethtool -K eth1 sg on
Actual changes:
scatter-gather: on
 tx-scatter-gather: on
generic-segmentation-offload: on
```

#### Notes:

- S/G support on the *egress* path, together with High DMA, which is also supported, allows for efficiently transmitting TCP segments from user-space, without copying them to kernel-space first (“Tx zero-copy”).
- Egress S/G is necessary for other kernel features such as generic segmentation offload (GSO, implicitly turned on).
- The Ethernet driver support for S/G frames on the *ingress* path is transparent to the user.

#### 7.3.2.3.4.4 Checksum offload configuration

The Ethernet driver supports hardware offloading of both Rx checksum validation and Tx checksum generation for TCP and UDP over IPv4/IPv6. The hardware checksum offload can be configured through `ethtool`.

For viewing the current state of the feature, use the “-k” flag:

```
$ ethtool -k eth1
Features for eth1:
[...]
rx-checksumming: on
tx-checksumming: on
 tx-checksum-ipv4: on
 tx-checksum-ipv6: on
```

```
[...]
```

The checksum offload can be controlled separately on Rx and Tx paths as follows:

```
$ ethtool -K eth1 rx on|off
$ ethtool -K eth1 tx on|off
$ ethtool -k eth1 | grep tx-checksumming
tx-checksumming: off
```

#### 7.3.2.3.4.5 MAC filtering

The DPAA2 hardware supports unicast and multicast MAC filters on the ingress path. In Linux, MAC unicast filtering can be accomplished with the help of MACVLAN interfaces. Kernel configuration and DPNI configuration are required to enable this feature, as follows:

- To enable support in the kernel, CONFIG\_MACVLAN must be selected at compile time, from the kernel menuconfig: "Device Drivers -> Network device support -> Network core driver support -> MAC-VLAN support" .

The Linux Ethernet driver allows adding and deleting of MAC filters via the standard "ip" command. An example of adding/deleting a MAC unicast address is the following:

```
$ ip link add link eth1 address <macvlan_mac_addr> eth1.1 type macvlan
$ ifconfig eth1.1 up
[...]
```

```
$ ip link delete eth1.1 type macvlan
```

Adding a multicast address is also possible using the "ip" command as follows:

```
$ ip maddr add 01:00:00:00:00:01 dev eth1
```

#### 7.3.2.3.4.6 Large frame support

The DPAA2 hardware supports large frames. The Ethernet driver correlates between the Layer-2 maximum frame length (MFL) and Layer-3 MTUs. The maximum MTU that a Linux user can request on a DPAA2 Ethernet interface is 10222 bytes.

##### Notes:

- Outgoing packets larger than the current MTU are going to be fragmented by the kernel stack.
- All Ethernet devices on the same LAN must have the same MTU
- Ingress frames larger than MTU are accepted by the Ethernet driver

#### 7.3.2.3.4.7 Generic receive offload

The DPAA2 Ethernet driver is integrated with the kernel's generic receive offload (GRO) support. GRO is enabled by default and is configurable via "ethtool":

```
$ ethtool -k eth1 | grep generic-receive-offload
generic-receive-offload: on
$ ethtool -K eth1 gro off
$ ethtool -k eth1 | grep generic-receive-offload
generic-receive-offload: off
```

**Note:** For better performance, GRO should be disabled on the receiving interfaces in certain scenarios such as IP Forwarding.

#### 7.3.2.3.4.8 Egress traffic shaping

The DPAA2 Ethernet driver supports per port Tx traffic shaping by offloading the Token Bucket Filter (TBF) qdisc. Support for the TBF qdisc is enabled by the following `CONFIG_NET_SCH_TBF` Kconfig option.

To setup Tx shaping on an interface, use the following command:

```
$ tc qdisc add dev ethX root tbf rate <rate> burst <burst> limit 1M
```

where:

- rate is the maximum throughput.
- burst is the maximum burst size, expressed in bytes, at most 63487.

For more information on the units used, and in general the TBF qdisc, see its [manpage](#).

To remove the TBF qdisc from an interface, use the following command:

```
tc qdisc del dev ethX root
```

#### 7.3.2.3.4.9 Rx hashing

The DPAA2 Ethernet driver supports hash distribution of ingress flows, based on some of the common L2/L3/L4 fields. Configuration is done via standard "ethtool" support as follows:

```
$ ethtool -N <ethX> rx-flow-hash <proto_type> <header_fields>
```

The set of header fields from which the hash key is extracted is configured globally for all protocols and the protocol type parameter is ignored.

The following fields are supported:

- m - Ethernet destination address
- v - VLAN tag
- t - L3 protocol
- s - IPv4 source address
- d - IPv4 destination address
- f - L4 bytes 0 & 1 [TCP/UDP source port]
- n - L4 bytes 2 & 3 [TCP/UDP destination port]

The "r" flag (discard all packets of this flow type) is not supported.

For example, Rx hashing based on IP source and destination address can be configured with the following command:

```
$ ethtool -N <ethX> rx-flow-hash udp4 sd
```

The current hashing configuration can be viewed using the "-n" flag:

```
$ ethtool -n <ethX> rx-flow-hash udp4
```

The protocol type parameter is ignored; the configuration applies to both UDPv4 and TCPv4.

**Note:** By default, Ethernet interfaces start with hashing enabled on a 5-tuple key (IP proto, IP src/dst addresses, L4 src/dst ports). If an Ethernet interface is created with a single queue then hashing is not supported.

Interfaces created dynamically with "ls-addni" have a number of queues equal to the number of available CPUs, unless explicitly requested otherwise, so they will have hashing enabled by default. For DPNI's statically defined inside a DPL file, in order to allow hashing the "num\_queues" property must have a value larger than 1 and there must also be a sufficient number of DPCON objects available.

For full details and examples on dynamic DPNI creation, see [Dynamically creating a DPNI](#).

### 7.3.2.3.4.10 Rx flow steering

The DPAA2 Ethernet driver supports steering of ingress traffic, directing flows to specific GPPs based on exact-match operations on some of the common L2/L3/L4 fields. The advantage versus [Section 7.3.2.3.4.9](#) is cache locality of ingress data: the user-space applications that actually process the traffic make better use of the local GPP's cache than if the traffic were processed on another GPP. The disadvantage stems from the static configuration of flow affinity and from the fact that flow characteristics for example, L4 ports) must be known in advance, which is not always possible in real scenarios.

Configuration is done via standard "ethtool" support as follows:

```
$ ethtool -N eth1 flow-type <proto_type> <header_field> <value> [m <mask>]
 action <cpu_id>
```

Steering is supported for the following protocols:

- ethernet (flow-type ether)
- IPv4 (flow-type ip4)
- TCP, UDP over IPv4 (flow-type tcp4, udp4)

Supported fields are as follows:

- src, dst (L2 source/destination address; only for ether flow type)
- dst-mac (only for ip4, udp4, tcp4 flow types)
- vlan (all flow types)
- l4proto (only for ip4)
- src-ip, dst-ip, src-port, dst-port (for ip4, udp4, tcp4)

Masking of header fields is also supported.

For example, in order to set up flow steering based on destination IP:

```
$ ethtool -N eth1 flow-type ip4 dst-ip 192.168.1.0 action 0
```

or subnet:

```
$ ethtool -N eth1 flow-type ip4 dst-ip 192.168.2.0 m 0.0.0.255 action 1
```

**Note:** The MC firmware and Linux Ethernet driver will only fully configure flow-steering if `DPNI_OPT_HAS_KEY_MASKING` is set in the "options" list of the DPNI object either via the DPL node or via `restool` - for example:

```
dpni@1 {
 [...]
 options = "DPNI_OPT_HAS_KEY_MASKING";
 [...]
```

```
};
```

respectively:

```
restool dpni create [...] --options=DPNI_OPT_HAS_KEY_MASKING
```

**Note:**

On LS1088A, only limited flow steering capabilities are offered. LS1088A does not support the `DPNI_OPT_HAS_KEY_MASKING` option, therefore it won't allow rules with different keys in the classification table. In other words, all rules in the classification table must be based on the same header field(s). Also, `m` option is not supported and it will be silently ignored.

### 7.3.2.3.4.11 Flow Control Pause Frames

The DPAA2 Ethernet interfaces support sending and responding to pause frames, as part of the Ethernet flow control mechanism. The behavior of the pause frames is described in the IEEE 802.3x standard. In a nutshell, in a scenario involving a full duplex link, if the sender is sending at a higher rate than the receiver can process frames, the receiver can choose to send a special kind of frame, called pause frame, which asks the sender to halt the transmission of traffic for a specified period of time. Pause frame control is integrated into ethtool. To interrogate the status, use the following command:

```
$ ethtool -a eth3
Pause parameters for eth3:
Autonegotiate: on
RX: off
TX: off
RX negotiated: off
TX negotiated: off
```

To change the pause frame status, use the following command:

```
$ ethtool -A eth3 rx on tx on
[349.381335] fsl_dpaa2_eth dpni.2 eth3: Link is Down
[355.362146] fsl_dpaa2_eth dpni.2 eth3: Link is Up - 10Gbps/Full - flow
control off
$ ethtool -a eth3
Pause parameters for eth3:
Autonegotiate: on
RX: on
TX: on
RX negotiated: off
TX negotiated: off
```

In the output above, even though pause frame is enabled on both directions of the link, the negotiated state of pause frame is still disabled. This is observed when the link partner does not advertise pause frames and autonegotiation is enabled.

To force the state of pause frames on our end, disable `autoneg` using the following command:

```
$ ethtool -A eth3 autoneg off
[552.230298] fsl_dpaa2_eth dpni.2 eth3: Link is Down
[552.242501] fsl_dpaa2_eth dpni.2 eth3: Link is Up - 10Gbps/Full - flow
control rx/tx
```

Pause frames are interpreted at the MAC level and counters for both directions are visible in the ethtool stats:

```
$ ethtool -S eth3 | grep pause
[mac] rx pause: 0
[mac] tx b-pause: 0
```

- If the driver is configured with Tx pause frames on, the hardware will start sending pause frames when the interface enters a congestion state on the Rx side.
- If the driver is configured with Rx pause frames on, it will respond to any pause frames received on the line by reducing the send rate.

#### 7.3.2.3.4.12 Ethernet Priority-based Flow Control

The DPAA2 Ethernet interfaces support sending and responding to 802.1Qbb PFC (Priority-based Flow Control) frames, also known as CBFC (Class Based Flow Control) frames. PFC is a function of the 802.1 DCB (Data Center Bridging) standard, enabling lossless semantics at L2 on the Ethernet medium. Eight different classes of service (802.1p Ethernet priorities) are available as expressed through the 3-bit PCP field in an IEEE 802.1Q (VLAN) header added to the frame.

The DPAA2 Ethernet driver supports enabling PFC for a subset of the traffic classes. This configuration is done using a higher-level protocol, LLDP - Link Layer Discovery Protocol. In Ubuntu, this protocol is implemented by the lldpad package, containing lldpad - the agent daemon - and lldptool - the client program.

Before attempting to configure PFC, make sure lldpad is installed and running:

```
~# apt-get update
~# apt-get install -y lldpad
~# service --status-all
~# service lldpad status
 lldpad.service - LSB: Start and stop the lldp agent daemon
Loaded: loaded (/etc/init.d/lldpad; bad; vendor preset: enabled)
Active: active (running) since Mon 2017-08-21 11:43:45 UTC; 2h 33min ago
Docs: man:systemd-sysv-generator(8)
CGroup: /system.slice/lldpad.service
-4542 /usr/sbin/lldpad -d
```

The LLDP agent daemon will register all the active interfaces in the system. In order to configure PFC for an interface (for example, eth1), run the following commands:

- Set the LLDP operation mode - in this case, to send and receive LLDP packets. This is required in order for PFC changes to take effect.

```
lldptool -L -i eth1 adminStatus=rxtx
```

- Enable PFC for priorities 1, 2, and 4 on ni0.

```
lldptool -T -i eth1 -V PFC -c enabled=1,2,4
```

- Display priorities enabled for PFC on ni0.

```
lldptool -t -i eth1 -V PFC -c enabled
```

In order to disable PFC, you can run the following command:

```
lldptool -T -i eth1 -V PFC -c enabled=none
```

When setting PFC for the first time since boot, the DPAA2 Ethernet driver will configure static ingress traffic classification based on VLAN PCP. In order for this to work, you need to configure the DPNI with a number of



traffic classes that's greater than 1 - preferably `num_tcs=8`, since there are a total of 8 priorities handled by the 3-bit PCP VLAN field.

The LLDP interface configuration is persistent across reboot and stored in the `lldpad` configuration files.

It's not advised to change the PFC configuration when the interface is handling heavy traffic.

There is a current **known limitation** for PFC to work only with DPNI's created using the DPL. DPNI's created with `restool` will not behave as expected.

### 7.3.2.3.4.13 XDP support

The DPAA2 Ethernet driver offers support for XDP (eXpress Data Path) programs. To compile an XDP capable kernel, make sure that the generated `.config` file contains the following Kconfig options:

- `CONFIG_BPF_SYSCALL=y`
- `CONFIG_BPF_JIT=y`
- `CONFIG_HAVE_EBPF_JIT=y`
- `CONFIG_BPF_JIT_ALWAYS_ON=y`

XDP is a high performance data path in the Linux kernel, which allows for fast and programmable frame processing.

XDP programs are based on eBPF (extended Berkeley Packet Filter) and some basic examples can be found in the kernel source tree, in `samples/bpf`. Samples of the associated user space apps that load the XDP program and attach it to the desired network interface can also be found there. For example, the "xdp1" sample program can be loaded by running:

```
./samples/bpf/xdp1 -N <interface_index>
```

The user space applications that load XDP programs have to be built for arm64. XDP programs are compiled using `clang/llvm`, with minimum required version being 6.0. We recommend building natively, following the steps described in `samples/bpf/README.rst`.

The currently supported actions are:

- `XDP_DROP`: any frame for which this action is selected is dropped immediately by the driver
- `XDP_PASS`: frame follows the standard processing path and is sent to the network stack
- `XDP_TX`: frame is forwarded back to the same interface
- `XDP_REDIRECT`: frame is forwarded to another interface

The driver also supports header updates that change the frame header size. Scatter/gather frames are not handled by the XDP program and will go through the regular path to the stack.

The DPAA2 Ethernet driver also supports `AF_XDP` zero-copy on platforms based on the LX2160A SoC. This limitation comes from the fact that `AF_XDP` zero-copy imposes a 1:1 relationship between an `AF_XDP` socket and a buffer pool, which the DPAA2 architecture can do only on the latest WRIOP version. Beside the Kconfig options mentioned above, for `AF_XDP` support please make sure that the kernel used has the Kconfig `CONFIG_XDP_SOCKETS` enabled. The `AF_XDP` zero-copy support is available only on DPNI's with a maximum of 8 Rx queues.

For each `AF_XDP` socket attached to a particular DPAA2 Rx queue, the driver will try to allocated a new DPBP (buffer pool) object. If there is no available DPBP in the system, zero-copy support will not be available and the setup will fall back to copy mode.

To make sure that this not happens, either declare enough DPBP objects in the DPL file used or just create them before starting the `AF_XDP` program.

```
$ restool dpbp create
```

```
$ restool dprc assign dprc.1 --object=dppb.X --plugged=1
```

The `xdpsock` sample application can be used to test the `AF_XDP` functionality on DPAA2 interfaces.

## Building XDP Kernel Samples

In order to use XDP programs from the kernel `bpf/samples` folder, these are the steps for building them natively:

### 1. Prerequisites:

Use a Layerscape board with latest Layerscape LDP images, that has external network connectivity at least 6GB of disk space.

### 2. Install dependent packages:

```
apt-get install git
git apt-get install make
apt-get install gcc
apt-get install bc
apt-get install elfutils
apt-get install libelf-dev
apt-get install bison
apt-get install flex
apt-get install cmake
```

### 3. Build the latest version of LLVM and clang (required to be $\geq 7.0$ ):

```
git clone https://git.llvm.org/git/llvm.git/ LLVM
cd LLVM/tools
git clone https://git.llvm.org/git/clang.git/
cd ../../
mkdir <llvm-build-dir>; cd <llvm-build-dir>
cmake -DCMAKE_BUILD_TYPE=Release -DLLVM_TARGETS_TO_BUILD="BPF" ../LLVM/
make -j 8
```

### 4. Download kernel sources from the Layerscape LDP release

### 5. Build the bpf samples:

```
cd <kernel-src-dir>
make mrproper
make defconfig; make lsdk.config
make headers_install
make M=samples/bpf/ LLC=<llvm-build-dir>/bin/llc CLANG=<llvm-build-dir>/bin/clang
```

The resulting binaries will be located in `<kernel-src-dir>/samples/bpf`.

## 7.3.2.3.4.14 MQPRIO qdisc support

The DPAA2 Ethernet driver supports the MQPRIO qdisc, configurable through the `tc` tool.

MQPRIO (Multiqueue Priority Qdisc) is a simple queuing discipline that allows mapping traffic flows to hardware queue ranges, using priorities and a configurable priority to traffic class mapping. When creating the qdisc, the user can pass the number of traffic classes handled by the netdevice, the skb priority to traffic class map, and the hardware offloading flag.

For example:

```
$ tc qdisc add dev <ethX> root handle 1: mqprio num_tc 2 map 0 0 1 1 hw 1
```

The above translates to:

- The mqprio qdisc has 2 traffic classes (num\_tc 2)
- The qdisc depends on hw offloading (hw 1)
- The skb prio to traffic class map is as follows:
  - skb prio 0 -> tc 0
  - skb prio 1 -> tc 0
  - skb prio 2 -> tc 1
  - skb prio 3 -> tc 1

**Note:** We only support the hardware offloading mode. Setting the "hw" param to 0 is not supported.

For setting the skb priority, the clsact qdisc can be used. Then we use the u32 filter to assign the skb priority based on traffic flow characteristics. This requires a recent iproute2-tc with clsact support compiled in:

```
$ tc qdisc add dev <ethX> clsact
$ tc filter add dev <ethX> egress prio 1 u32 match ip dport 7776 0xffff action
 skbedit priority 0
$ tc filter add dev <ethX> egress prio 1 u32 match ip dport 7777 0xffff action
 skbedit priority 1
$ tc filter add dev <ethX> egress prio 1 u32 match ip dport 7778 0xffff action
 skbedit priority 2
$ tc filter add dev <ethX> egress prio 1 u32 match ip dport 7779 0xffff action
 skbedit priority 3
```

In the above example, the destination port is used to assign a skb priority level. Outgoing IPv4 frames with port id 7778 and 7779 will be treated with highest priority.

**Note:** In order to use tc mqprio with the DPAA2 Ethernet driver, make sure the following kernel options are enabled:

```
CONFIG_NET_SCHED=y
CONFIG_NET_SCH_MQPRIO=y
```

Also, in order to run above examples, the following kernel options are also needed:

```
CONFIG_NET_CLS=y
CONFIG_NET_CLS_ACT=y
CONFIG_NET_ACT_SKBEDIT=y
CONFIG_NET_CLS_U32=y
CONFIG_CLS_U32_PERF=y
CONFIG_CLS_U32_MARK=y
CONFIG_NET_EMATCH_U32=y
```

**Note:** The DPNI has to be configured with a number of traffic classes greater than one - the maximum supported is num\_tcs=8. Make sure the num\_tc parameter passed at mqprio qdisc creation is not higher than the number of traffic classes supported by the DPNI.

#### 7.3.2.3.4.15 CEETM support

DPAA2 platforms offer scheduling, shaping and prioritization capabilities through CEETM (Customer Edge Egress Traffic Management). The purpose of the CEETM block is to enhance networking performances by moving the egress QoS logic from software to hardware.

This section briefly describes what is supported and how CEETM can be configured through the Linux traffic control tool (tc) by using a custom queuing discipline.

## Features

Each network interface (DPNI) can be associated with an LNI (logical network interface) containing a class queue channel. We don't support more than one channel per LNI. The LNI channel allows dual-rate shaping, which can be configured by specifying the CIR (committed information rate) and/or EIR (excess information rate). CBS (committed burst size) and EBS (excess burst size) values can also be configured.

We also support scheduling of class queues inside the channel; the number of queues cannot be larger than the configured number of traffic classes ("num\_tcs" DPNI option), with a maximum value of 8.

Queues can be independent or part of a group:

- inside a group, queues are selected based on the WBFS (weighted bandwidth fair scheduling) algorithm. We support at most two class queue groups (referred to as group A and group B) with up to 4 queues each; if a single group is used (group A), up to 8 queues can be configured to be part of it.
- independent queues have fixed priorities and are subject to a strict priority scheduling (that is queue 1 will always be higher priority than queue 2)

Weighted queues share the priority of the group they belong to. Groups have configurable strict priorities relative to the independent queues. See the next section for an example on how to configure both weighted and independent queues.

We consider 0 to be the highest priority level.

## Prerequisites

In order to use the CEETM feature, it must first be enabled in the kernel config file:

```
CONFIG_FSL_DPAA2_ETH_CEETM=y
```

Also, the following kernel option is needed:

```
CONFIG_NET_SCHED=y
```

The CEETM TC library (*q\_ceetm.so*) should be located under */usr/lib/tc*. It is built and deployed by default, without any user action needed.

## Usage

You can see the *ceetm* qdisc's help message by running the following command:

```
$ tc qdisc add ceetm help
Usage:
... qdisc add ... ceetm type root
... class add ... ceetm type root [cir CIR] [eir EIR] [cbs CBS] [ebs EBS]
[coupled C]
... qdisc add ... ceetm type prio [prioA PRIO] [prioB PRIO] [separate SEPARATE]
... class add ... ceetm type prio [mode MODE] [weight W]
Update configurations:
... class change ... ceetm type root [cir CIR] [eir EIR] [cbs CBS] [ebs EBS]
[coupled C]
Qdisc types:
root - associate a LNI to the DPNI
prio - configure the LNI channel's Priority Scheduler with up to eight classes
Class types:
root - configure the LNI channel
prio - configure an independent or weighted class queue
Options:
```

```

CIR - the committed information rate of the LNI channel
 dual-rate shaper (required for shaping scenarios)
EIR - the excess information rate of the LNI channel
 dual-rate shaper (optional for shaping scenarios, default 0)
CBS - the committed burst size of the LNI channel
 dual-rate shaper (required for shaping scenarios)
EBS - the excess of the LNI channel
 dual-rate shaper (optional for shaping scenarios, default 0)
C - shaper coupled, if both CIR and EIR are finite, once the
 CR token bucket is full, additional CR tokens are instead
 added to the ER token bucket
PRIO - priority of the weighted group A / B of queues
SEPARATE - groups A and B are separate
MODE - scheduling mode of class queue, can be:
 STRICT_PRIORITY
 WEIGHTED_A
 WEIGHTED_B
W - the weight of the class queue in the weighted group

```

## Example

We present here an example of how `tc ceetm qdisc` can be used to create a complex egress shaping and scheduling configuration.

We start by configuring the LNI channel to allow a maximum egress rate of 1 Gbit/s:

```

tc qdisc add dev <ethX> root handle 1: ceetm type root
tc class add dev <ethX> parent 1: classid 1:1 ceetm type root cir 1000mibit

```

We configure `queue_1` and `queue_2` to be part of group A, with a group priority of 3, and `queue_4` and `queue_5` to be part of group B with prio 1. Independent queues `queue_0` and `queue_3` are also configured. The resulting order of priorities is as follows (highest to lowest): {`queue_0`, `group_B`, `queue_3`, `group_A`}

Inside group A, `queue_1` and `queue_2` have equal weights; inside group B, `queue_5` is given three times more bandwidth than `queue_4`. The weights are not absolute values, the relevant information is the ratio between them; it's recommended to use the value 100 for the queue with the lowest bandwidth.

```

tc qdisc add dev <ethX> parent 1:1 handle 2: ceetm type prio prioA 3 prioB 1
separate 1 tc class add dev <ethX> parent 2: classid 2:1 ceetm type prio mode
STRICT_PRIORITY tc class add dev <ethX> parent 2: classid 2:2 ceetm type prio
mode WEIGHTED_A weight 100 tc class add dev <ethX> parent 2: classid 2:3 ceetm
type prio mode WEIGHTED_A weight 100 tc class add dev <ethX> parent 2: classid
2:4 ceetm type prio mode STRICT_PRIORITY tc class add dev <ethX> parent 2:
classid 2:5 ceetm type prio mode WEIGHTED_B weight 100 tc class add dev <ethX>
parent 2: classid 2:6 ceetm type prio mode WEIGHTED_B weight 300

```

Additionally, we define flows based on IP destination address and match them to the class queues:

```

Flow 1 - queue 0
tc filter add dev <ethX> parent 1: protocol ip u32 match ip dst 192.85.2.2/32
flowid 1:1
tc filter add dev <ethX> parent 2: protocol ip u32 match ip dst 192.85.2.2/32
flowid 2:1
Flow 2 - queue 1
tc filter add dev <ethX> parent 1: protocol ip u32 match ip dst 192.85.2.3/32
flowid 1:1
tc filter add dev <ethX> parent 2: protocol ip u32 match ip dst 192.85.2.3/32
flowid 2:2

```

```
Flow 3 - queue 2
tc filter add dev <ethX> parent 1: protocol ip u32 match ip dst 192.85.2.4/32
 flowid 1:1
tc filter add dev <ethX> parent 2: protocol ip u32 match ip dst 192.85.2.4/32
 flowid 2:3
Flow 4 - queue 3
tc filter add dev <ethX> parent 1: protocol ip u32 match ip dst 192.85.2.5/32
 flowid 1:1
tc filter add dev <ethX> parent 2: protocol ip u32 match ip dst 192.85.2.5/32
 flowid 2:4
Flow 5 - queue 4
tc filter add dev <ethX> parent 1: protocol ip u32 match ip dst 192.85.2.6/32
 flowid 1:1
tc filter add dev <ethX> parent 2: protocol ip u32 match ip dst 192.85.2.6/32
 flowid 2:5
Flow 6 - queue 5
tc filter add dev <ethX> parent 1: protocol ip u32 match ip dst 192.85.2.7/32
 flowid 1:1
tc filter add dev <ethX> parent 2: protocol ip u32 match ip dst 192.85.2.7/32
 flowid 2:6
```

Assuming the initial throughput of each flow was 200 Mbit/s, the final output is:

```
flow 1 (queue_0) - 200Mbps flow 2 (queue_1) - 100Mbps flow 3 (queue_2) - 100Mbps
flow 4 (queue_3) - 200Mbps flow 5 (queue_4) - 200Mbps flow 6 (queue_5) -
200Mbps
```

If initial throughput per flow was 600 Mbit/s, the final output is:

```
flow 1 (queue_0) - 600Mbps flow 2 (queue_1) - 0Mbps flow 3 (queue_2) - 0Mbps
flow 4 (queue_3) - 0Mbps flow 5 (queue_4) - 100Mbps flow 6 (queue_5) - 300Mbps
```

Note: In order to run this example, the following kernel configs are also needed:

```
CONFIG_NET_CLS=y
CONFIG_NET_CLS_ACT=y
CONFIG_NET_CLS_U32=y
CONFIG_NET_EMATCH=y
CONFIG_NET_EMATCH_U32=y
```

### 7.3.2.3.4.16 Interface statistics

DPAA2 Ethernet interface counters can be read via either of two standard tools, but there is a subtle difference:

- `ifconfig ethX`: counters reflect packets received by the Ethernet driver – that is those frames that have passed through the Rx filters (if any are active) and have been effectively processed by the Ethernet driver on the GPP, and possibly by the kernel stack. These are software counters, maintained by the Ethernet driver and the networking stack.
- `ethtool -S ethX`: counters reflect more detailed counters, from three categories:
  - Statistics maintained by the DPAA2 hardware. These largely correspond in meaning to the standard "ifconfig" counters, but the values may be different from the "ifconfig" counters - that is they may reflect frames that have not been received on the GPP, such as those dropped by the ingress policer or due to MAC filtering. Also noteworthy is that retrieving these counters requires a series of calls into the MC firmware, which could make the operation potentially slower.
  - Advanced counters, specific to the DPAA2 Ethernet driver. These are software-maintained driver-specific counters which do not fit into the standard "ifconfig" set.

- QbMan hardware counters showing instantaneous values for the frame queues and buffer pool associated with the DPNI.

The following detailed counters are presented by the `ethtool -S` command:

- Hardware-maintained counters (prefixed by the "[hw]" tag):
  - `rx frames`: number of valid frames received from the DPNI hardware
  - `rx bytes`: number of bytes comprised within the "rx frames" counter
  - `rx mcast frames`: number of valid multicast frames
  - `rx mcast bytes`: number of bytes included in "rx mcast frames"
  - `rx bcast frames`: number of valid broadcast frames
  - `rx bcast bytes`: number of bytes included in "rx bcast frames"
  - `tx frames`: number of valid frames presented for transmission
  - `tx bytes`: number of bytes included in "tx frames"
  - `tx mcast frames`: number of valid egress multicast frames
  - `tx mcast bytes`: number of bytes included in "tx mcast frames"
  - `tx bcast frames`: number of valid egress broadcast frames
  - `tx bcast bytes`: number of bytes included in "tx bcast frames"
  - `rx filtered frames`: number of valid frames but dropped because for example, of MAC filtering
  - `rx discarded frames`: number of frames with various physical errors
  - `rx nobuffer discards`: number of frames discarded due to lack of buffers
  - `tx discarded frames`: number of frames with Tx errors
  - `tx confirmed frames`: number of Tx confirmed frames
  - `tx dequeued frames`: number of Tx frames dequeued by WRIOP from the egress queues of this DPNI
  - `tx dequeued bytes`: number of bytes included in "tx dequeued frames"
  - `tx rejected frames`: number of Tx frames enqueued by the core but rejected by QMan
  - `tx rejected bytes`: number of bytes included in "tx rejected frames"
- Software-maintained, driver-specific counters (prefixed by the "[sw]" tag):
  - `tx conf frames`: number of frames presented back to the Ethernet driver in the Tx confirmation queues. In an idle system, this counter should be equal to "tx frames"
  - `tx conf bytes`: number of bytes comprised by the "tx conf frames" counter
  - `tx sg frames`: number of egress frames in scatter-gather format these are a subset of "tx frames", the difference being contiguous frames
  - `tx sg bytes`: number of bytes comprised in "tx sg frames"
  - `tx realloc frames`: number of frames which had to be reallocated in the driver due to insufficient skb headroom if a significant number of Tx frames are realloc'ed, it may be an indicator of suboptimal networking performance
  - `rx sg frames`: number of frames received in scatter-gather format typically this reflects frames larger than the largest buffer that can be used at the time of reception
  - `rx sg bytes`: number of bytes comprised in "rx sg frames"
  - `enqueue portal busy`: number of times the Ethernet driver had to retry the frame enqueue command (on the egress path) due to QbMan portal being busy
  - `dequeue portal busy`: number of times the Ethernet driver had to retry the frame dequeue command (on the ingress path) due to QbMan portal being busy
  - `channel pull errors`: number of dequeue errors which are not due to the portal being busy
  - `cdan`: number of Channel Dequeue Available Notifications (CDANs) received by the Ethernet driver (Rx and Tx Conf paths). Each CDAN corresponds to one DPIO interrupt and triggers a NAPI processing cycle which can process Rx or Tx Conf frames (or both).

- tx congestion state: whether the Tx queues are currently congested or not if congestion state is 1, it means one or more Tx queues have stopped and are waiting for the hardware to finish transmitting the frames already enqueued from the Ethernet driver
- xdp drop: number of frames processed by an XDP program for which the XDP\_DROP action was selected
- xdp tx: number of frames processed by an XDP program for which the XDP\_TX action was selected
- xdp tx errors: number of frames processed by an XDP program for which the XDP\_TX action was selected but an error occurred during actual transmission
- xdp redirect: number of frames processed by an XDP program for which the XDP\_REDIRECT action was selected
- QBMan counters:
  - rx pending frames: total number of frames currently in the Rx FQs associated with the DPNI
  - rx pending bytes: number of bytes included in "rx pending frames"
  - tx conf pending frames: total number of frames currently in the Tx confirmation FQs associated with the DPNI
  - tx conf pending bytes: number of bytes included in "tx conf pending frames"
  - buffer count: number of buffers currently in the buffer pool associated with the DPNI"

Extra debug information is available through the debug file system. Each DPNI object probed by the dpaa2-eth driver will export a debugs folder which will contain per channel, per CPU and per FQ statistics.

```
$ ls -la /sys/kernel/debug/dpaa2-eth/dpni.2/
total 0
drwxr-xr-x 2 root root 0 Aug 26 14:20 .
drwxr-xr-x 6 root root 0 Jan 1 1970 ..
-r--r--r-- 1 root root 0 Aug 26 14:20 ch_stats
-r--r--r-- 1 root root 0 Aug 26 14:20 cpu_stats
-r--r--r-- 1 root root 0 Aug 26 14:20 fq_stats
--w--w--w- 1 root root 0 Aug 26 15:06 reset_mc_stats
--w----- 1 root root 0 Aug 26 15:06 reset_stats
```

For example, the driver keeps the following information on a per channel basis:

```
$ cat /sys/kernel/debug/dpaa2-eth/dpni.2/ch_stats
Channel stats for eth3:
CHID CPU Deqbusy Frames CDANs AvgFrm/CDAN Buf count
48 0 0 0 0 0 1281
47 1 0 2 2 1 1281
46 2 0 0 0 0 1281
45 3 0 2 2 1 1281
44 4 0 4 4 1 1281
43 5 0 0 0 0 1281
42 6 0 0 0 0 1281
41 7 0 13 13 1 1281
40 8 0 0 0 0 1281
39 9 0 0 0 0 1281
38 10 0 0 0 0 1281
37 11 0 0 0 0 1281
36 12 0 0 0 0 1281
35 13 0 0 0 0 1281
34 14 0 0 0 0 1281
33 15 0 2 2 1 1281
```



To find out how many frames and their type processed by each CPU, the `cpu_stats` debugs file is available.

```
$ cat /sys/kernel/debug/dpaa2-eth/dpni.2/cpu_stats
Per-CPU stats for eth3
CPU Rx Rx Err Rx SG Tx Tx Err Tx conf Tx SGTx converted to SG
Enq busy
0 0 0 0 0 0 0 0 0 0 0
1 0 0 0 2 0 2 2 2 2 0
2 0 0 0 0 0 0 0 0 0 0
3 0 0 0 2 0 2 2 2 2 0
4 0 0 0 4 0 4 4 4 4 0
5 0 0 0 0 0 0 0 0 0 0
6 0 0 0 0 0 0 0 0 0 0
7 0 0 0 14 0 14 14 14 14 0
8 0 0 0 0 0 0 0 0 0 0
9 0 0 0 0 0 0 0 0 0 0
10 0 0 0 0 0 0 0 0 0 0
11 0 0 0 0 0 0 0 0 0 0
```

Through the `debugfs` folder both software statistics kept by the driver and hardware ones can be reset. This can be useful in circumstances when multiple tests need to be run back to back without rebooting the board.

```
$ echo 1 > /sys/kernel/debug/dpaa2-eth/dpni.2/reset_stats
$ echo 1 > /sys/kernel/debug/dpaa2-eth/dpni.2/reset_mc_stats
```

**7.3.2.3.4.17 Software TSO (TCP Segmentation Offload)**

The DPAA2 hardware does not support offloading of TCP Segmentation but the `dpaa2-eth` driver implements TSO in software at the driver level to get a bit of performance in TCP termination circumstances.

The TCP segmentation offload is enabled by default in the `dpaa2-eth` driver:

```
$ ethtool -k eth3 | grep tcp
tcp-segmentation-offload: on
tx-tcp-segmentation: on
tx-tcp-ecn-segmentation: off [fixed]
tx-tcp-mangleid-segmentation: off
tx-tcp6-segmentation: off [fixed]
```

To disable any feature, use `ethtool` as given below (if required):

```
$ ethtool -K eth3 tso off
$ ethtool -k eth3 | grep tcp
tcp-segmentation-offload: off
tx-tcp-segmentation: off
tx-tcp-ecn-segmentation: off [fixed]
tx-tcp-mangleid-segmentation: off
tx-tcp6-segmentation: off [fixed]
```

**7.3.2.3.4.18 Rx interrupt coalescing**

The DPAA2 Ethernet driver is integrated with the generic dynamic interrupt moderation framework (NET DIM) to implement adaptive interrupt coalescing on Rx. The root motivation for this feature is that with the per-packet interrupt scheme, a high interrupt rate has been noted for moderate traffic flows leading to high CPU utilization.

Since the Channel Data Availability (CDAN) interrupt is per Software Portal (DPIO), the NET DIM framework is used in such a way, that all packets/bytes received through the interrupt of a DPIO is taken into account when

computing the delay of the IRQ. This means that if there are three DPAA2 network interfaces in the system and all are using the same DPIO for receiving packets, all packets from all the three interfaces are used in the heuristic for determining the best delay.

To interrogate the current status of interrupt coalescing, use the following command:

```
$ ethtool -c eth3
Coalesce parameters for eth3:
Adaptive RX: off TX: n/a
stats-block-usecs: n/a
sample-interval: n/a
pkt-rate-low: n/a
pkt-rate-high: n/a

rx-usecs: 0
rx-frames: n/a
rx-usecs-irq: n/a
rx-frames-irq: n/a

tx-usecs: n/a
tx-frames: n/a
tx-usecs-irq: n/a
tx-frames-irq: n/a

rx-usecs-low: n/a
rx-frame-low: n/a
tx-usecs-low: n/a
tx-frame-low: n/a

rx-usecs-high: n/a
rx-frame-high: n/a
tx-usecs-high: n/a
tx-frame-high: n/a
```

To enable adaptive interrupt coalescing, the following ethtool command is helpful:

```
$ ethtool -C eth3 adaptive-rx on
$ ethtool -c eth3
Coalesce parameters for eth3:
Adaptive RX: on TX: n/a
stats-block-usecs: n/a
sample-interval: n/a
pkt-rate-low: n/a
pkt-rate-high: n/a

rx-usecs: 0
rx-frames: n/a
rx-usecs-irq: n/a
rx-frames-irq: n/a
...
```

Also, the number of microseconds to delay an RX interrupt after packet arrival can be statically setup.

```
$ ethtool -C eth3 rx-usecs 256 adaptive-rx off
$ ethtool -c eth3
Coalesce parameters for eth3:
Adaptive RX: off TX: n/a
stats-block-usecs: n/a
sample-interval: n/a
```

```
pkt-rate-low: n/a
pkt-rate-high: n/a

rx-usecs: 256
rx-frames: n/a
rx-usecs-irq: n/a
rx-frames-irq: n/a
...
```

Please note that since the interrupts for Rx frame processing are shared between all the DPAA2 interfaces controlled by the Linux kernel, changing a setting related to interrupt coalescing through one interface leads to all other interfaces now using the same setting.

For example, all the above commands executed through eth3 have also changed how eth4 (another DPAA2 interface) operates.

```
$ ethtool -c eth4
Coalesce parameters for eth4:
Adaptive RX: off TX: n/a
stats-block-usecs: n/a

sample-interval: n/a
pkt-rate-low: n/a
pkt-rate-high: n/a

rx-usecs: 256
rx-frames: n/a
rx-usecs-irq: n/a
rx-frames-irq: n/a
...
```

### 7.3.2.3.5 Performance considerations

This section presents several aspects that need to be taken into account when tuning a DPAA2 system for kernel networking performance.

#### • Ingress flow distribution

Flows are defined by a distribution key (n-tuple) composed of several header fields. All ingress frames that belong to a flow (they have the same value of the fields included in the key) are processed on the same core. In order to achieve a balanced load among the system cores, two strategies may be employed:

- In scenarios with large number of flows or where ingress traffic characteristics are not known: rely on hash distribution for load balancing; the default key is composed of {IP src address, IP dst address, IP next proto, L4 src port, L4 dst port} but can be changed using ethtool. A well balanced distribution requires several hundred flows on an 8-core system; the lower the number of flows, the higher the difference in number of frames directed to each core. See [Section 7.3.2.3.4.9](#) for more details.
- In scenarios where we have a low number of flows with well-known characteristics (for example: we know beforehand or can determine at runtime the value of certain header fields, like source IP address), flows can be manually affinity to cores using exact match rules configured in ethtool. See [Section 7.3.2.3.4.10](#) for more information.

#### • Flow control

The DPAA2 Ethernet driver starts with flow control enabled by default.

For best performance, it is recommended that pause frames configuration matches the settings of the peer, especially on the Tx side (that is should only have pause frame generation enabled if the peer can respond to pause frames). When unsure of peer flow control capabilities, it's best to locally disable pause frames (ethtool -A <ethX> tx off).

For more information on flow control support, see [Section 7.3.2.3.4.11](#).

- **DPNI parameters at object creation**

DPNI objects should be created with a maximal configuration if networking performance is desired.

For distribution of ingress traffic, the most important setting is `num_queues`, which should equal the number of cores on which the DPNI can receive ingress frames. In case of DPNI created statically using a DPL file, sufficient DPCON objects (one per DPNI per core) must also be provided; for dynamically created DPNI, the `ls-addni` script handles both DPCON dependencies and optimal configuration of `num_queues` value.

In case flow steering is to be used on the DPNI, value of `num_fs_entries` (maximum number of classification rules that can be added on the network interface) can be configured according to user requirements. Default is 64 entries.

- **Optimal test setups for performance measurements**

For IP forwarded traffic, using affine flows (one per core per interface) is the setup that yields best results.

If zero-loss throughput is measured, it is important to avoid additional work in the system (unrelated peripheral interrupt sources, system services running in the background), as spikes in activity on a core can lead to loss of frames even at lower traffic rates.

One source of spikes in activity is the 25G interfaces found on the LX2160ARDB Rev2 which use an IN112525 1st gen Inphi retimer for improving the signal integrity. For the interfaces to work, a prototype driver for In112525 chip is used in Linux. This driver does retraining of retimer's internals each two seconds when no signal is detected. This requires cpu-time and may bring a performance impact in certain conditions (RFC2544 with a small frame size). It can be avoided if 25G ports have valid link partners or when driver is disabled (`CONFIG_INPHI_PHY=n`).

For termination traffic, flow steering is also recommended with one flow per core, although in some scenarios using a large number (for example: 256 flows on an 8 core system) of hashed flows yields similar results.

In case of TCP traffic, configuring flow affinity on the sender side (for ACK packets) may also help. When possible, the user space application should be affined to the same core that performs the kernel frame processing (for example: `-T` parameter for `netperf`, or use `taskset`).

Transmission of UDP frames is expected to perform slightly worse than TCP Tx due to a software limitation.

On the ingress side, there should be no obvious performance gap between the two.

For additional general performance optimization guidelines, see the [Section 7.9](#) section.

### 7.3.2.4 Setting up Ethernet Switch Capability

#### 7.3.2.4.1 Ethernet Switch overview

The DPAA2 Switch driver probes on the Datapath Switch (DPSW) object which can be instantiated on the following DPAA2 SoCs and their variants: LS2088A and LX2160A.

The DPAA2 switch driver uses the switch device driver model and exposes each switch port as a network interface. This can be included in a bridge or used as a standalone interface. Traffic switched between ports is offloaded into the hardware.

The DPSW can have ports connected to DPNI or to DPMACs for external access.

#### 7.3.2.4.2 Switch object creation

The `dpaa2-switch` driver probes the DPSW devices found on the `fsl-mc` bus. These devices are either created statically through the boot time configuration file `DataPath Layout (DPL)` or at runtime using the DPAA2 object APIs. These APIs are incorporated into the `restool` userspace tool in prior to creating the devices.

```
fsl_dpaa2_switch dpsw.0: The number of FDBs is lower than the number of ports,
cannot probe
```

The minimum number of FDBs should be at least equal to the number of switch interfaces. This is required, if the separation of switch ports should be required. Therefore, when not under a bridge, each switch port has its

own FDB. At the moment, the dpaa2-switch driver imposes the following restrictions on the DPSW object that it will probe:

- Both the broadcast and flooding configuration should be as per FDB. This enables the driver to restrict the broadcast and flooding domains of each FDB depending on the switch ports that are sharing it (aka are under the same bridge).

```
fsl_dpaa2_switch dpsw.0: Flooding domain is not per FDB, cannot probe
fsl_dpaa2_switch dpsw.0: Broadcast domain is not per FDB, cannot probe
```

- The control interface of the switch should not be disabled (`DPSW_OPT_CTRL_IF_DIS` not passed as a create time option). Without the control interface, the driver is not capable to provide proper Rx/Tx traffic support on the switch port netdevices.
- Apart from the configuration of the actual DPSW object, the dpaa2-switch driver requires the following DPAA2 objects:
  - `1DPMCP`: A management command portal object is required for any interaction with the MC firmware.
  - `1DPBP`: A buffer pool is used for seeding buffers intended for the Rx path on the control interface.
- Access to atleast one DPIO object (Software Portal) is required for any enqueue/dequeue operation to be performed on the control interface queues. The DPIO object is shared and there is no need for a private object.

#### 7.3.2.4.2.1 Using restool for dynamic object creation

A switch can be created at runtime, using restool. Before creating the switch, a number of DPAA2 objects (dependencies) should be added for which multiple restool commands are needed. The switch requires at least a DPMCP object.

To create the switch for DPMCP object use the following command:

```
$ restool dpmcp create
$ restool dprc assign dprc.1 --object=dpmcp.X --plugged=1
```

To create the switch with DPBP object use the following command:

```
$ restool dpbp create
$ restool dprc assign dprc.1 --object=dpbp.X --plugged=1
```

### Creating a DPSW

To create a DPSW switch object use the command given below:

```
$ restool dpsw create --num-ifs=4 --max-fdbs=4 --broadcast-
cfg=DPSW_BROADCAST_PER_FDB --flooding-cfg=DPSW_FLOODING_PER_FDB
```

The command specifies configuration options, which includes number of ports in the switch, the maximum number of FDBs that can be used on the switch, and the flooding and broadcast configuration.

For all the configuration options and parameters, see the help output using the command:

```
$ restool dpsw create --help
```

## Connecting the switch

To connect the DPSW ports to other objects (DPNIs, and DPMACs) use the following commands:

```
$ restool dprc connect dprc.1 --endpoint1=dpsw.X.Y --endpoint2=dpmac.Z
$ restool dprc connect dprc.1 --endpoint1=dpsw.X.Y --endpoint2=dpni.Z
```

## Enabling the switch

The switch driver probes the DPSW object only when its state is `plugged`. After issuing the following command, the `dpaa2-switch` driver presents the DPSW associated network interfaces:

```
$ restool dprc assign dprc.1 --object=dpsw.X --plugged=1
```

After enabling the switch, it can be configured from Linux using the following supported switch management commands:

- `ifup/ifdown` (using `ifconfig` or similar)
- setting large frame size limit (using `ifconfig` or similar)
- retrieving statistics (using `ifconfig` or similar)
- configuring FDB (using `bridge fdb`)
- configuring multicast groups (using `bridge fdb`)
- configuring VLANs (using `bridge vlan`)
- configuring learning (using `bridge link set`)

## Restool wrapper scripts

For user convenience, the script `ls-addsw` is provided to assist creation of a new DPSW object. For example, to create a 4 port DPSW object connected to two DPNIs and 2 DPMACs the following command is used:

```
ls-addsw --flooding-cfg=DPSW_FLOODING_PER_FDB --broadcastcfg=
DPSW_BROADCAST_PER_FDB dpmac.X dpmac.Y dpni.Z dpni.W
```

For all the script options and parameters see the help:

```
$ ls-addsw -h
```

The endpoints are connected in the specified order to switch the ports. If there are less endpoints than the number of interfaces, you can later add the rest using `ls-addni` or `restool` commands.

### 7.3.2.4.2.2 Using the data path layout file (DPL)

A switch object may be defined statically in the DPL, allowing it to be created automatically during platform initialization. Below is an example of switch definition in the DPL:

```
dpsw@0 {
 compatible = "fsl,dpsw";
 max_vlans = <0x10>;
 max_fdb_entries = <0x4>;
 num_fdb_entries = <0x400>;
 fdb_aging_time = <0x12c>;
 num_ifs = <0x4>;
 max_fdb_mc_groups = <0x20>;
 max_meters_per_if = <0x4>;
 flooding_cfg = "DPSW_FLOODING_PER_FDB";
```

```
broadcast_cfg = "DPSW_BROADCAST_PER_FDB";
};
```

This example is for a 5-port switch that includes support for up to 16 VLAN IDs, including VLAN 1 (that is internally used by the switch), up to 1024 FDB entries, and up to 32 multicast groups.

Links defined in the DPL `connections` section are given below:

```
connections {
 connection@1 {
 endpoint1 = "dpsw@0/if@0";
 endpoint2 = "dpmac@1";
 };
 connection@2 {
 endpoint1 = "dpsw@0/if@1";
 endpoint2 = "dpmac@2";
 };
 connection@3 {
 endpoint1 = "dpsw@0/if@2";
 endpoint2 = "dpmac@3";
 };
 connection@4 {
 endpoint1 = "dpsw@0/if@3";
 endpoint2 = "dpmac@4";
 };
 connection@5 {
 endpoint1 = "dpsw@0/if@4";
 endpoint2 = "dpni@1";
 };
};
```

This example is generated based on the DPSW created using the `ls-addsw` command above. Links defined in the DPL `connections` section are given below:

```
connections {
 connection@1{
 endpoint1 = "dpni@Z";
 endpoint2 = "dpsw@0/if@2";
 };
 connection@2{
 endpoint1 = "dpni@W";
 endpoint2 = "dpsw@0/if@3";
 };
 connection@3{
 endpoint1 = "dpsw@0/if@0";
 endpoint2 = "dpmac@X";
 };
 connection@4{
 endpoint1 = "dpsw@0/if@1";
 endpoint2 = "dpmac@Y";
 };
};
```

### 7.3.2.4.3 Switching features

The driver supports the configuration of L2 forwarding rules in hardware for port bridging as well as standalone usage of the independent switch interfaces.

The hardware is not configurable with respect to VLAN awareness. Therefore, any DPAA2 switch port should be used only in usecases with a VLAN aware bridge:

```
$ ip link add dev br0 type bridge vlan_filtering 1
$ ip link add dev br1 type bridge
$ ip link set dev ethX master br1
Error: fsl_dpaa2_switch: Cannot join a VLAN-unaware bridge
```

Topology and loop detection through STP is supported when `stp_state 1` is used at bridge create:

```
$ ip link add dev br0 type bridge vlan_filtering 1 stp_state 1
L2 FDB manipulation (add/delete/dump) is supported.
$ bridge fdb add xx:xx:xx:xx:xx:xx dev ethY master static
$ bridge fdb del xx:xx:xx:xx:xx:xx dev ethY master static
$ bridge fdb
```

VLAN configuration is supported. Specific VLANs can be added to the switch ports as egress tagged or untagged. By default, all switch ports have PVID 1. This indicates that all the untagged traffic received on switch ports is classified to VLAN 1 and all frames classified in VLAN 1 are sent out untagged on all ports.

```
$ bridge vlan add vid X dev ethY [egress untagged]
$ bridge vlan del vid X dev ethY
$ bridge vlan
```

Multicast groups can be configured using the bridge `mdb` commands. The commands add multiple switch ports, one by one to the multicast group `01:00:05:00:00:13` as given below:

```
$ bridge mdb add dev br0 port ethX grp 01:00:05:00:00:13 permanent offload
$ bridge mdb add dev br0 port ethY grp 01:00:05:00:00:13 permanent offload
$ bridge mdb
$ bridge mdb del dev br0 port ethY grp 01:00:05:00:00:13 permanent offload
```

HW FDB learning can be configured on each switch port independently through bridge commands. When the HW learning is disabled, a fast age procedure is run and any previously learnt addresses are removed.

```
$ bridge link set dev ethX learning off
$ bridge link set dev ethX learning on
```

Restricting the unknown unicast and multicast flooding domain is supported, but not independently of each other:

```
$ ip link set dev ethX type bridge_slave flood off mcast_flood off
$ ip link set dev ethX type bridge_slave flood off mcast_flood on
Error: fsl_dpaa2_switch: Cannot configure multicast flooding independently of unicast.
```

Broadcast flooding on a switch port can be disabled/enabled through the `brport` sysfs::

```
$ echo 0 > /sys/bus/fsl-mc/devices/dpsw.Y/net/ethX/brport/broadcast_flood
```

Statistics, both MAC level and switch port level, can be interrogated through the following `ethtool` command:

```
$ ethtool -S ethX
NIC statistics:
[hw] rx frames: 0
[hw] rx bytes: 0
```



```
[hw] rx filtered frames: 0
[hw] rx discarded frames: 0
[hw] rx bcast frames: 0
[hw] rx bcast bytes: 0
[hw] rx mcast frames: 0
[hw] rx mcast bytes: 0
[hw] tx frames: 0
[hw] tx bytes: 0
[hw] tx discarded frames: 0
[hw] rx nobuffer discards: 0
[mac] rx 64 bytes: 0
[mac] rx 65-127 bytes: 0
[mac] rx 128-255 bytes: 0
[mac] rx 256-511 bytes: 0
[mac] rx 512-1023 bytes: 0
[mac] rx 1024-1518 bytes: 0
[mac] rx 1519-max bytes: 0
[mac] rx frags: 0
[mac] rx jabber: 0
[mac] rx frame discards: 0
[mac] rx align errors: 0
[mac] tx undersized: 0
[mac] rx oversized: 0
[mac] rx pause: 0
[mac] tx b-pause: 0
[mac] rx bytes: 0
[mac] rx m-cast: 0
[mac] rx b-cast: 0
[mac] rx all frames: 0
[mac] rx u-cast: 0
[mac] rx frame errors: 0
[mac] tx bytes: 0
[mac] tx m-cast: 0
[mac] tx b-cast: 0
[mac] tx u-cast: 0
[mac] tx frame errors: 0
[mac] rx frames ok: 0
[mac] tx frames ok: 0
```

### 7.3.2.4.4 Switching offloads

#### 7.3.2.4.4.1 Routing actions (redirect, trap, drop)

The DPAA2 switch can offload flow-based redirection of packets by using the ACL tables. The shared filter blocks are supported by sharing a single ACL table between multiple ports.

The supported flow keys are:

- Ethernet: dst\_mac/src\_mac
- IPv4: dst\_ip/src\_ip/ip\_proto/tos
- VLAN: vlan\_id/vlan\_prio/vlan\_tpid/vlan\_dei
- L4: dst\_port/src\_port

To redirect the entire traffic received on a port, use the matchall filter.

The supported flow actions are:

- drop
- mirrored egress redirect

- trap

**Note:** Each ACL entry (filter) can be setup with only one of the listed actions.

**Example 1:** Send frames received on eth4 with a SA of 00:01:02:03:04:05 to the CPU

```
$ tc qdisc add dev eth4 clsact
$ tc filter add dev eth4 ingress flower src_mac 00:01:02:03:04:05 skip_sw action
trap
```

**Example 2:** Drop frames received on eth4 with VID 100 and PCP of 3

```
$ tc filter add dev eth4 ingress protocol 802.1q flower skip_sw vlan_id 100
vlan_prio 3 action drop
```

**Example 3:** Redirect all frames received on eth4 to eth1

```
$ tc filter add dev eth4 ingress matchall action mirred egress redirect dev eth1
```

**Example 4:** Use a single shared filter block on both eth5 and eth6

```
$ tc qdisc add dev eth5 ingress_block 1 clsact
$ tc qdisc add dev eth6 ingress_block 1 clsact
$ tc filter add block 1 ingress flower dst_mac 00:01:02:03:04:04 skip_sw \action
trap
$ tc filter add block 1 ingress protocol ipv4 flower src_ip 192.168.1.1 skip_sw
\action mirred egress redirect dev eth3
```

#### 7.3.2.4.4.2 Mirroring

The DPAA2 switch supports only per port mirroring and per VLAN mirroring. In addition, it supports Adding the mirroring filters in shared blocks

When using the tc-flower classifier with the 802.1q protocol, only the 'vlan\_id key is accepted. Mirroring based on any other fields from the 802.1q protocol are rejected:

```
$ tc qdisc add dev eth8 ingress_block 1 clsact
$ tc filter add block 1 ingress protocol 802.1q flower skip_sw vlan_prio 3
action mirred egress mirror dev eth6
Error: fsl_dpaa2_switch: Only matching on VLAN ID supported.
We have an error talking to the kernel
```

If a mirroring VLAN filter is requested on a port, the VLAN must be installed on the switch port in question either using "bridge" or by creating a VLAN upper device if the switch port is used as a standalone interface:

```
$ tc qdisc add dev eth8 ingress_block 1 clsact
$ tc filter add block 1 ingress protocol 802.1q flower skip_sw vlan_id 200
action mirred egress mirror dev eth6
Error: VLAN must be installed on the switch port.
We have an error talking to the kernel

$ bridge vlan add vid 200 dev eth8
$ tc filter add block 1 ingress protocol 802.1q flower skip_sw vlan_id 200
action mirred egress mirror dev eth6

$ ip link add link eth8 name eth8.200 type vlan id 200
```

```
$ tc filter add block 1 ingress protocol 802.1q flower skip_sw vlan_id 200
 action mirred egress mirror dev eth6
```

**Note:** The mirrored traffic is subject to the same egress restrictions as any other traffic. This indicates that when a mirrored packet reaches the mirror port and if the VLAN found in the packet is not installed on the port, then it gets dropped.

The DPAA2 switch supports only a single mirroring destination. Therefore, the multiple mirror rules can be installed but their "to" port should be same:

```
$ tc filter add block 1 ingress protocol 802.1q flower skip_sw vlan_id 200
 action mirred egress mirror dev eth6
$ tc filter add block 1 ingress protocol 802.1q flower skip_sw vlan_id 100
 action mirred egress mirror dev eth7Error: fsl_dpaa2_switch: Multiple mirror
ports not supported.
We have an error talking to the kernel
^^`
```

### 7.3.2.5 Setting Up Edge Virtual Bridge Capability

#### 7.3.2.5.1 EVB overview

An edge virtual bridge allows the sharing of a physical connection between multiple entities (virtual hosts). It can act as a VEB or as a VEPA.

In VEB mode, traffic is forwarded between connected virtual hosts or between virtual hosts and uplink.

In VEPA mode, all traffic from virtual hosts is forwarded to uplink, bridging functions (including 'hairpin' forwarding) being performed by an external device.

#### Features supported:

- VEB/VEPA mode
- Traffic steering according to MAC, VLAN (in VEPA mode only) or MAC+VLAN
- Static FDB entries management (add/delete/show)
- Static multicast FDB entries management (add/delete/show)
- Flooding of broadcast and multicast traffic

#### 7.3.2.5.2 EVB object creation

EVB objects can be created as follows:

- Dynamically using the restool as described in [Section 7.3.2.5.2.1](#)
- Statically in a DPL file as described in [Section 7.3.2.5.2.2](#)

##### 7.3.2.5.2.1 Using restool for dynamic object creation

A DPDMUX can be instantiated at runtime, using restool.

The following section describes the main commands to create an EVB and its dependencies starting from the `dpl-eth.0x2A_0x41.dtb` DPL file.

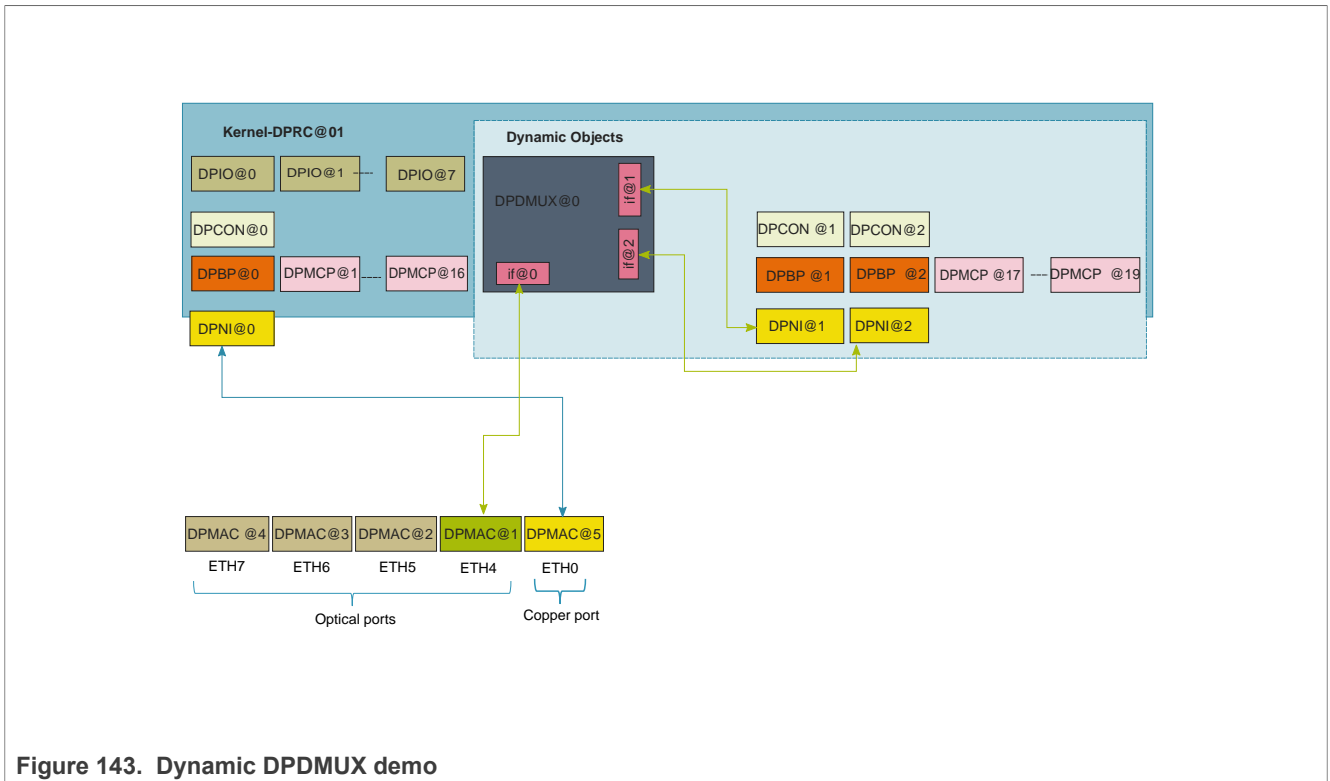


Figure 143. Dynamic DPDMUX demo

**Note:** When a new object is created using restool, an object with the ID of the first available resource is returned.

**Note:** Depending on the board type, DPMAC availability varies. For more details, refer to **Limitations and Known Issues**.

### Creating a DPDMUX

The EVB is created by this command:

```
$ restool dpdmux create --num-ifs=2 --control-if=0 \
--options=DPDMUX_OPT_BRIDGE_EN --method=DPDMUX_METHOD_MAC \
--max-dmat-entries=8 --max-mc-groups=8 --manip=DPDMUX_MANIP_NONE
```

The command must specify the number of downlinks and the ID of the uplink (ranges for 0 to [number of downlinks - 1]). The other parameters are optional. For more information about the available options, see the output of the command:

```
$ restool dpdmux create -h
```

### Connecting the EVB

Linking the EVB ports to other objects is done with:

```
$ restool dprc connect "$RC" --endpoint1="$MUX".0 --endpoint2="$MAC"
$ restool dprc connect "$RC" --endpoint1="$MUX".1 --endpoint2="$NI1"
$ restool dprc connect "$RC" --endpoint1="$MUX".2 --endpoint2="$NI2"
```

\$SRC represents the container for the objects, \$MUX is the object identified for the EVB. The uplink is the endpoint with the id specified by *control-if* parameter at creation time.

### Enabling the EVB

This command plugs the EVB object on the bus, in the Linux resource container. The EVB driver probes the switch and presents the associated network interfaces in Linux.

```
$ restool dprc assign "$SRC" --object="$MUX" --plugged=1
```

### Restool wrapper scripts

For user convenience, the **ls-addmux** script is provided to assist creation of a new DPDMUX object.

Example to replicate setup in the [Section "Connecting the EVB"](#) section:

```
ls-addmux -d=2 -u=0 dpmac.1
[4298.023745] dpaa2_evb dpdmux.0: probed evb device with 2 ports
Created EVB: evb0 (object: dpdmux.0, uplink: dpmac.1)
```

This command creates EVB evb0 (and the corresponding dpdmux.0 object) with two downlinks and the uplink connected to dpmac.1.

After creating the DPDMUX, its downlinks can be connected to DPNI's using **ls-addni** script:

```
ls-addni dpdmux.0.1
Will allocate 8 DPCON objects for this hash size
[5118.645253] fsl_dpaa2_eth dpni.1: Probed interface ni1
Created interface: ni1 (object:dpni.1, endpoint: dpdmux.0.1)
ls-addni dpdmux.0.2
Will allocate 8 DPCON objects for this hash size
[5122.169030] fsl_dpaa2_eth dpni.2: Probed interface ni2
Created interface: ni2 (object:dpni.2, endpoint: dpdmux.0.2)
```

#### 7.3.2.5.2.2 Using the data path layout file (DPL)

A DPDMUX instance can statically be defined in the DPL file:

```
dpdmux@0 {
 compatible = "fsl,dpdmux";
 options = "DPDMUX_OPT_BRIDGE_EN";
 method = "DPDMUX_METHOD_MAC";
 manip = "DPDMUX_MANIP_NONE";
 control_if = <0>;
 num_ifs = <2>;
 max_dmat_entries = <8>;
 max_mc_groups = <8>;
};
```

Links are defined in the DPL 'connections' section:

```
connection@1{
 endpoint1 = "dpdmux@0/if@0";
 endpoint2 = "dpmac@1";
};
connection@2{
```

```

 endpoint1 = "dpni@1";
 endpoint2 = "dpdmux@0/if@1";
 };
 connection@3{
 endpoint1 = "dpni@2";
 endpoint2 = "dpdmux@0/if@2";
 };
};

```

Based on the above configuration the DPDMUX ports are linked to:

- evb0 (dpdmux@1/if@0) <-> dpmac@1
- evb0p0 (dpdmux@1/if@1) <-> dpni@1
- evb0p1 (dpdmux@1/if@2) <-> dpni@2

**Note:** DPDMUX ports connected to a DPMAC must be configured before the others (for example, connected to DPNI's).

### 7.3.2.5.3 Setting up the EVB driver

Driver compilation is enabled by default and is controlled by the FSL\_DPAA2\_EVB option in the kernel's config. This can be found in *menuconfig* under the following items:

```

| -> Device Drivers
| -> Staging drivers
| -> Freescale Management Complex (MC) bus driver
| -> Freescale DPAA2 devices
| -> DPAA2 Edge Virtual Bridge

```

The kernel log will display a message when an EVB is probed as follows:

```
dpaa2_evb dpdmux.0: probed evb device with 2 ports
```

After deploying the driver and configuring an EVB (via DLP or restool), the system should present the following Linux interfaces after typing the 'ifconfig' command:

```

evb0 Link encap:Ethernet HWaddr 00:00:00:00:00:00
 UP BROADCAST RUNNING MASTER MULTICAST MTU:1500 Metric:1
 RX packets:0 errors:0 dropped:0 overruns:0 frame:0
 TX packets:0 errors:0 dropped:0 overruns:0 carrier:0
 collisions:0 txqueuelen:1000
 RX bytes:0 (0.0 B) TX bytes:0 (0.0 B)

evb0p0 Link encap:Ethernet HWaddr 00:00:00:00:00:00
 UP BROADCAST RUNNING SLAVE MULTICAST MTU:1500 Metric:1
 RX packets:0 errors:0 dropped:0 overruns:0 frame:0
 TX packets:0 errors:0 dropped:0 overruns:0 carrier:0
 collisions:0 txqueuelen:1000
 RX bytes:0 (0.0 B) TX bytes:0 (0.0 B)

evb0p1 Link encap:Ethernet HWaddr 00:00:00:00:00:00
 UP BROADCAST RUNNING SLAVE MULTICAST MTU:1500 Metric:1
 RX packets:0 errors:0 dropped:0 overruns:0 frame:0
 TX packets:0 errors:0 dropped:0 overruns:0 carrier:0
 collisions:0 txqueuelen:1000
 RX bytes:0 (0.0 B) TX bytes:0 (0.0 B)

```

Interface **evb0** represents the uplink and is also the handler for the EVB. Each other EVB port has its own interface. They are used for management and cannot be used for I/O. Any I/O through the EVB must be performed using the connected interfaces.

An EVB only forwards traffic to links that are enabled (peer interface is up) and only if the filtering rules on the peer interface do not lead to the frame being discarded. One way to ensure that all traffic subject to forwarding rules is actually forwarded by the EVB is to set the peer interface in promiscuous mode, as follows:

```
$ ip link set ni0 up promisc on
```

#### 7.3.2.5.4 EVB commands supported

EVB management can be performed using the following generic Linux networking tools:

- interface up/down (using ifconfig or similar)
- setting large frame size limit (using ifconfig or similar)
- configuring FDB (using bridge fdb)
- configuring VLANs (using bridge vlan)
- configuring multicast groups (using bridge fdb)
- port statistics retrieval (ethtool or similar)

##### 7.3.2.5.4.1 EVB interface control

Any of the EVB ports, or the EVB as a whole, can be enabled/disabled using any of the following commands:

```
$ ifconfig { evb0pX | evb0 } { up | down }
$ ip link set { evb0pX | evb0 } { up | down }
```

##### 7.3.2.5.4.2 Maximum frame size configuration

The DPAA2 hardware supports large frames. EVB driver correlates between the Layer-2 maximum frame length (MFL) and Layer-3 MTUs. The maximum MTU that a Linux user can request on a DPAA2 EVB interface is 10222 bytes. Setting a value on a downlink port or uplink will update the value for all EVB interfaces.

```
$ ifconfig { evbX | evbXpY } mtu <NN>
$ ip link set { evbX | evbXpY | dev evbXpY } mtu <NN>
```

#### Notes:

- Frames larger than the configured MTU will be dropped, so connected Ethernet devices need to have the same setting.
- All Ethernet devices on the same LAN must have the same MTU to avoid traffic loss.

##### 7.3.2.5.4.3 EVB FDB entries

The EVB method DPDMUX\_METHOD\_MAC allows configuration of FDB entries via a bridge utility as follows:

```
$ bridge fdb add 02:00:c0:a8:50:01 dev evb0p0
$ bridge fdb show
02:00:c0:a8:50:01 self permanent
01:00:5e:00:00:01 self permanent
```

The EVB method DPDMUX\_METHOD\_C\_VLAN\_MAC also allows configuration of FDB entries via a bridge utility as follows:

```
$ bridge fdb add 02:00:c0:a8:50:02 vlan 10 dev evb0p0 vlan 10
$ bridge fdb show dev evb0p0
```

```
02:00:c0:a8:50:02 self permanent
01:00:5e:00:00:01 self permanent
```

#### 7.3.2.5.4.4 EVB VLAN assignment

The EVB method `DPDMUX_METHOD_C_VLAN` allows port VLAN assignment via a bridge utility as follows:

```
$ bridge vlan add vid 10 dev evb0p2
$ bridge vlan show dev evb0p2
port vlan ids
evb0p2 10
$ bridge vlan del vid 10 dev evb0p2
```

**Note:** This method is allowed only for VEPA mode.

#### 7.3.2.5.4.5 EVB port statistics

EVB port statistics are available through `ip` or similar tools as follows:

```
$ ip -s link
[...]
9: evb0: <BROADCAST,MULTICAST,MASTER,UP,LOWER_UP> mtu 1500 qdisc pfifo_fast
state UNKNOWN mode DEFAULT group default qlen 1000
link/ether 00:00:00:00:00:00 brd ff:ff:ff:ff:ff:ff
RX: bytes packets errors dropped overrun mcast
0 0 0 0 0 0
TX: bytes packets errors dropped carrier collsns
384 6 0 0 0 0
10: evb0p0: <BROADCAST,MULTICAST,SLAVE,UP,LOWER_UP> mtu 1500 qdisc pfifo_fast
master evb0 state UNKNOWN mode DEFAULT group default qlen 1000
link/ether 00:00:00:00:00:00 brd ff:ff:ff:ff:ff:ff
RX: bytes packets errors dropped overrun mcast
252 6 0 0 0 0
TX: bytes packets errors dropped carrier collsns
0 0 0 0 0 0
[...]
```

#### 7.3.2.5.5 Forwarding methods overview

A DPAA2 DPDMUX instance can forward traffic using information from various fields in the frame headers:

- Forwarding by destination MAC address
- Forwarding by VLAN tag
- Forwarding by VLAN tag and destination MAC address

##### 7.3.2.5.5.1 Forwarding by destination MAC address

This method forwards frames according to the destination MAC address and the static rules added into the EVB forwarding database.

It is configured specifying `--method="DPDMUX_METHOD_MAC"` when the DPDMUX is created. It is the default value for the `ls-addmux` script.

Entries are configured in the FDB using `bridge fdb` command. See [Section 7.3.2.5.4.3](#) section for more information.



**Configuration example:**

```

Create a MUX with 2 downlinks and uplink connected to dpmac.1;
forwarding method is by default DPDMUX_METHOD_MAC
$ ls-addmux -b -d=2 -u=0 dpmac.1
Create a ni (dpni.1) and links it to evb0p0
$ ls-addni dpdmux.0.1
Create a ni (dpni.2) and links it to evb0p1
$ ls-addni dpdmux.0.2
Check MUX configuration
$ restool dpdmux info dpdmux.0
Configure ni1
$ ip netns add ns1
$ ip link set ni1 netns ns1
$ ip netns exec ns1 ifconfig ni1 192.168.10.10/24 up
$ ip netns exec ns1 ip link set ni1 promisc on
Configure ni2
$ ip netns add ns2
$ ip link set ni2 netns ns2
$ ip netns exec ns2 ifconfig ni2 192.168.10.12/24 up
$ ip netns exec ns2 ip link set ni2 promisc on
Connectivity checks [downlink - uplink]
$ ip netns exec ns1 ping 192.168.10.13 -c 1
[.]
--- 192.168.10.13 ping statistics ---
1 packets transmitted, 1 received, 0% packet loss, time 0ms
Check EVB port statistics
$ ip -s link
[...]
4: evb0: <BROADCAST,MULTICAST,MASTER,UP,LOWER_UP> mtu 1500 qdisc pfifo_fast
state UNKNOWN mode DEFAULT group default qlen 1000
 link/ether 00:00:00:00:00:00 brd ff:ff:ff:ff:ff:ff
 RX: bytes packets errors dropped overrun mcast
 436 6 0 0 0 0
 TX: bytes packets errors dropped carrier collsns
 460 6 0 0 0 0
5: evb0p0: <BROADCAST,MULTICAST,SLAVE,UP,LOWER_UP> mtu 1500 qdisc pfifo_fast
master evb0 state UP mode DEFAULT group default qlen 1000
 link/ether 00:00:00:00:00:00 brd ff:ff:ff:ff:ff:ff
 RX: bytes packets errors dropped overrun mcast
 364 6 0 0 0 0
 TX: bytes packets errors dropped carrier collsns
 376 5 0 0 0 0
6: evb0p1: <NO-CARRIER,BROADCAST,MULTICAST,SLAVE,UP> mtu 1500 qdisc pfifo_fast
master evb0 state DOWN mode DEFAULT group default qlen 1000
 link/ether 00:00:00:00:00:00 brd ff:ff:ff:ff:ff:ff
 RX: bytes packets errors dropped overrun mcast
 0 0 0 0 0 0
 TX: bytes packets errors dropped carrier collsns
 0 0 0 0 0 0

```

**7.3.2.5.5.2 Forwarding by VLAN tag**

This method forwards frames according to the VLAN tag of the frame, as set into the customer tag of the double-tagged frames.

It is configured specifying `--method="DPDMUX_METHOD_C_VLAN"` when EVB is in VEPA mode (`--options="DPDMUX_OPT_BRIDGE_EN"` is not set).

EVB port VLAN assignment is done with "*bridge vlan* command. See [Section 7.3.2.5.4.4](#) section for more information.

#### Configuration example:

```
Create a MUX with DPDMUX_METHOD_C_VLAN forwarding method,
configured as a VEPA and with 2 downlinks and uplink connected
to dpmac.1
$ ls-addmux -v -m=DPDMUX_METHOD_C_VLAN -d=2 dpmac.1
Create a ni (dpni.1) and link it to evb0p0
$ ls-addni dpdmux.0.1
Create a ni (dpni.2) and link it to evb0p1
$ ls-addni dpdmux.0.2
Configure nil
$ ip netns add ns1
$ ip link set nil netns ns1
$ ip netns exec ns1 ip link add link nil name nil.6 type vlan id 6
$ ip netns exec ns1 ifconfig nil.6 192.168.6.10
$ ip netns exec ns1 ip link set nil up
$ ip netns exec ns1 ip link set nil promisc on
Configure ni2
$ ip netns add ns2
$ ip link set ni2 netns ns2
$ ip netns exec ns2 ip link add link ni2 name ni2.7 type vlan id 7
$ ip netns exec ns2 ifconfig ni2.7 192.168.7.12
$ ip netns exec ns2 ip link set ni2 up
$ ip netns exec ns2 ip link set ni2 promisc on
For the downlinks interfaces also add the VLAN ids
$ bridge vlan add vid 6 dev evb0p0
$ bridge vlan add vid 7 dev evb0p1
Connectivity checkings [example for downlink - uplink]
$ ip netns exec ns1 ping -I nil.6 192.168.6.13 -c 1
Check VLAN assignment
$ bridge vlan show
```

#### 7.3.2.5.5.3 Forwarding by VLAN tag and destination MAC address

This method forwards frames according to the VLAN tag and the destination MAC address of the frame.

It is configured specifying `--method="DPDMUX_METHOD_C_VLAN_MAC"` when the DPDMUX is created.

Entries are configured in the FDB using *bridge fdb* command. See [Section 7.3.2.5.4.3](#) section for more information.

#### Configuration example:

```
Create a MUX with DPDMUX_METHOD_C_VLAN_MAC forwarding method,
configured as a VEB and with 2 downlinks and uplink connected
to dpmac.1
$ ls-addmux -m=DPDMUX_METHOD_C_VLAN_MAC -d=2 dpmac.1
Create a ni (dpni.1) and link it to evb0p0
$ ls-addni dpdmux.0.1
Create a ni (dpni.2) and link it to evb0p1
$ ls-addni dpdmux.0.2
Configure nil
$ ip netns add ns1
$ ip link set nil netns ns1
$ ip netns exec ns1 ip link add link nil name nil.6 type vlan id 6
$ ip netns exec ns1 ifconfig nil.6 192.168.6.10
$ ip netns exec ns1 ip link set nil up
$ ip netns exec ns1 ip link set nil promisc on
```

```
Configure ni2
$ ip netns add ns2
$ ip link set ni2 netns ns2
$ ip netns exec ns2 ip link add link ni2 name ni2.7 type vlan id 7
$ ip netns exec ns2 ifconfig ni2.7 192.168.7.12
$ ip netns exec ns2 ip link set ni2 up
$ ip netns exec ns2 ip link set ni2 promisc on
For the downlinks interfaces, you would also need to add
the downlinks MACs to fdb table
$ bridge fdb add 4a:64:0a:af:14:a2 dev evb0p0 vlan 6
$ bridge fdb add 62:9c:86:0f:f7:cf dev evb0p1 vlan 7
Connectivity checkings [example for downlink - uplink]
$ ip netns exec ns1 ping -I nil.6 192.168.6.13 -c 1
Check EVB FDB entries
$ bridge fdb show
```

### 7.3.2.6 Security Engine (SEC)

This section describes the software for the SEC hardware block that is part of the DPAA2 family of SoCs.

#### 7.3.2.6.1 Introduction

This section focusses on DPAA2-specific SEC details - Data Path SEC Interface (DPSECI) backend and frontend drivers.

- JRI - the common Job Ring Interface (on which QI is currently dependent)
- crypto algorithms supported by each backend (RI, JRI, QI, DPSECI)
- kernel configuration - how to build backend and frontend drivers
- how to make sure the algorithms registered successfully
- how to check that crypto requests are being offloaded on SEC engine

On SoCs with DPAA v2.x, DPSECI backend can be used to submit crypto API service requests from the frontend drivers. The corresponding frontend compatible with DPSECI backend is *caamalq\_qi2*, which supports symmetric encryption and AEAD algorithms-based crypto API service requests.

The Linux driver automatically sets the enable bit for the SEC hardware's Queue Interface (QI), depending on QI feature availability in the hardware. This enables the hardware to also operate as a DPAA component for use by for example, USDPAA apps. This behavior does not conflict with normal in-kernel job ring operation, other than the potential performance-observable effects of internal SEC hardware resource contention, and vice versa.

#### 7.3.2.6.2 Module loading

The DPSECI backend driver (*dpseci*) is compiled built-in, while the DPSECI frontend driver (*dpaa2\_caam*) is compiled, by default, as module (though it can also be compiled built-in). In this case, it has to be probed before dynamically creating *dpseci* objects with *restool*:

```
$ modprobe dpaa2_caam
```

Without any parameter, the *dpseci* object being created has 2 pairs of (rx,tx) queues.

```
$ restool dpseci create $ restool dprc assign dprc.1 --object=dpseci.0 --
plugged=1
```

To create 8 (maximum) number of queues:

```
$ restool dpseci create --num-queues=8 --priorities=1,2,3,4,5,6,7,8 $ restool
dprc assign dprc.1 --object=dpseci.0 --plugged=1
```

More options can be displayed by using:

```
$ restool dpseci create --help
```

The list of algorithms registered by the *dpaa2\_caam* driver is available in */proc* filesystem:

```
$ grep caam-qi2 /proc/crypto
```

### 7.3.2.6.3 Enabling congestion management

Congestion management can be enabled when working with an MC that has a DPSECI object version greater or equal to 5.1. The first MC firmware version that supports the congestion management feature is 10.2.

Enabling congestion management is done when creating the DPSECI object:

```
$ restool dpseci create --num-queues=8 --priorities=1,2,3,4,5,6,7,8 --
options="DPSECI_OPT_HAS_CG" $ restool dprc assign dprc.1 --object=dpseci.0 --
plugged=1
```

### 7.3.2.6.4 Source files

The driver source files are maintained in the Linux kernel source tree: *drivers/crypto/caam*.

### 7.3.2.6.5 How to test the driver

To test the driver, in the kernel configuration menu, under "Cryptographic API -> Cryptographic algorithm manager", ensure that run-time self-tests are not disabled, that is the "Disable run-time self tests" entry is not set (`CONFIG_CRYPTO_MANAGER_DISABLE_TESTS=n`). This will run standard test vectors against the driver after the driver registers its supported algorithms with the kernel crypto API. To verify if the 'selftest' fields have 'passed', the */proc/crypto* entries should be checked. An entry such as this:

```
name : cbc(aes)
driver : cbc-aes-caam-qi2
module : kernel
priority : 2000
refcnt : 1
selftest : passed
internal : no
type : givcipher
async : yes
blocksize : 16
min keysize : 16
max keysize : 32
```

means the driver has successfully registered support for the algorithm with the kernel crypto API. Note that although a test vector may not exist for a particular algorithm supported by the driver, the kernel will emit messages saying which algorithms weren't tested, and mark them as *passed* anyway. The driver's capabilities can also be tested with `tcrypt` testing framework available in linux kernel by selecting "Cryptographic API -> Testing module" (also `Disable run-time self tests` should be unchecked). A kernel module

will be generated: *crypto/tcrypt.ko*. This has to be copied on the target. Then on target, after a *dpseci* object is registered:

```
$ insmod tcrypt.ko mode=10
```

Other ways to test with *tcrypt*:

- functional testing:
  - mode=3, 4, 35, 150, 152, 155, 181-191;
  - alg="algorithm\_name"
- speed (*sec* - seconds parameter is optional):
  - mode=500 [sec=1] - xxx(aes) acipher\_speed
  - mode=501 [sec=1] - xxx(3des) acipher\_speed
  - mode=502 [sec=1] - xxx(des) acipher\_speed and so on

There is no need to *rmmmod*, *tcrypt* does not stay "resident", it exits after running the tests. That's why you will see:

```
insmod: ERROR: could not insert module tcrypt.ko: Resource temporarily
```

For algorithms not supported, errors like below will be shown:

```
[2650.067737] failed to load transform for rmd128: -2
[2650.076480] failed to load transform for rmd160: -2
[2650.085099] failed to load transform for rmd256: -2
[2650.093739] failed to load transform for rmd320: -2
```

These are expected. Algorithm names registered by *dpaa2\_caam* frontend driver are ending in "*-caam-qi2*".

To verify the operation and correctness of the driver, other than noting the performance advantages due to the *crypto* offload, one can also ensure the h/w is doing the *crypto* by looking for driver messages in *dmesg*. The driver emits console messages at initialization time:

```
$ dmesg | grep dpaa2_caam
[1172.598591] dpaa2_caam dpseci.0: Opened dpseci object successfully
[1172.619979] dpaa2_caam dpseci.0: prio 0: rx queue 135, tx queue 119
[1172.626633] dpaa2_caam dpseci.0: prio 1: rx queue 136, tx queue 128
[1172.633278] dpaa2_caam dpseci.0: prio 2: rx queue 137, tx queue 129
[1172.639915] dpaa2_caam dpseci.0: prio 3: rx queue 138, tx queue 130
[1172.646555] dpaa2_caam dpseci.0: prio 4: rx queue 139, tx queue 131
[1172.653195] dpaa2_caam dpseci.0: prio 5: rx queue 140, tx queue 132
[1172.659831] dpaa2_caam dpseci.0: prio 6: rx queue 141, tx queue 133
[1172.666470] dpaa2_caam dpseci.0: prio 7: rx queue 142, tx queue 134
[1172.694319] dpaa2_caam dpseci.0: DPSECI version 3.0
[1172.700617] dpaa2_caam dpseci.0: algorithms registered in /proc/crypto
```

Given a time period when *crypto* requests are being made, the SEC h/w will fire completion notification interrupts:

```
$ cat /proc/interrupts | grep DPIO
```

If the number of interrupts fired increment, then the h/w is being used to do the *crypto*. If the numbers do not increment, then check if the algorithm being exercised is supported by the driver.

7.3.2.6.6 Running OpenSSL

Some of the OpenSSL cryptographic operations (for example, TLS 1.0 record layer encryption, some non-protocol-specific crypto algorithms) can be offloaded to Linux kernel (and then further to SEC crypto engine) via cryptodev module.

Running IPsec

IPsec can be configured and used for NXP boards taking advantage of the cryptographic acceleration provided by the CAAM engine. Below is the description of the setup used to test IPsec traffic between two LS2088ARDB boards.

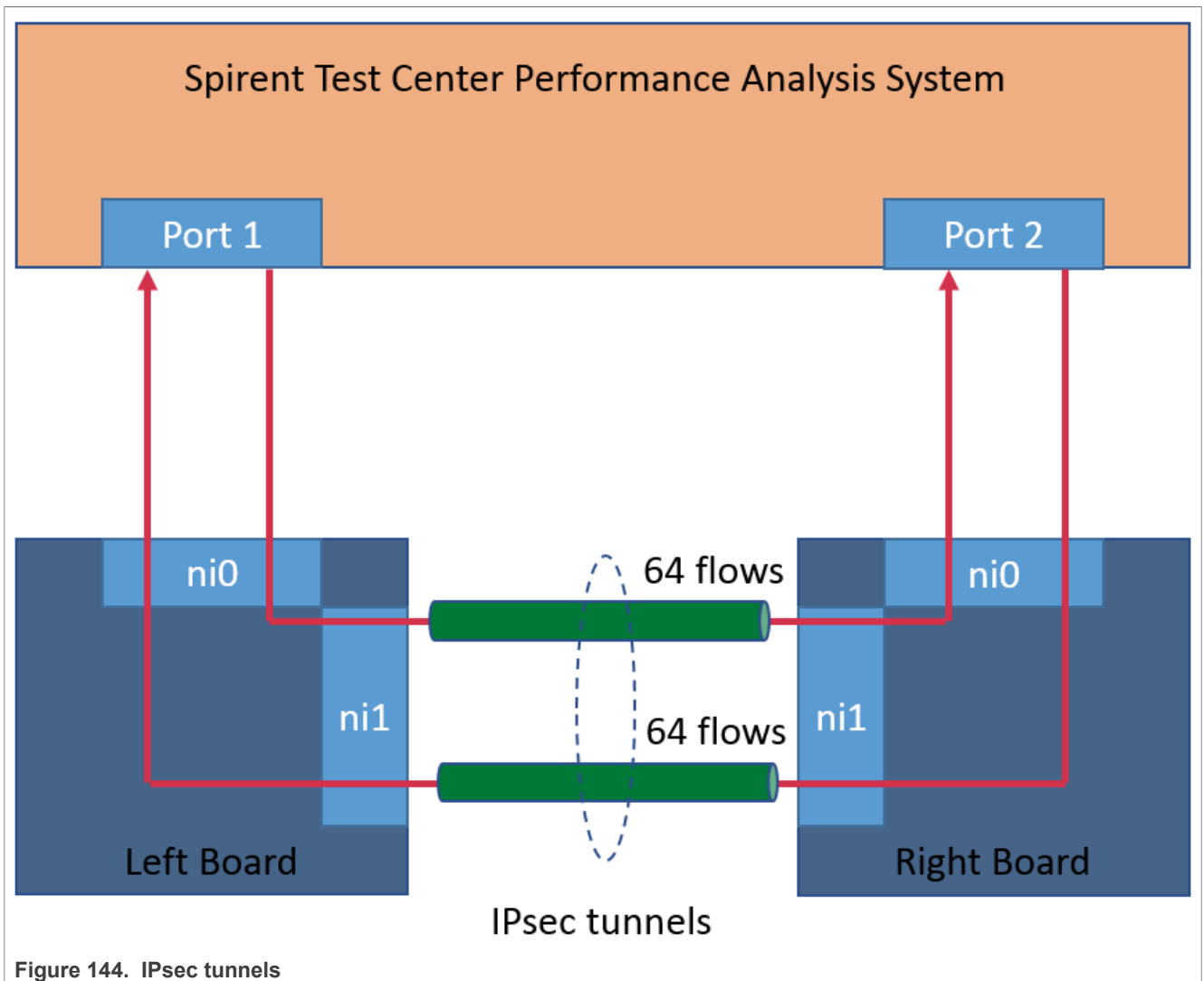


Figure 144. IPsec tunnels

Traffic is generated from the Test Center on Port 1 as 64 flows. A flow is defined as a stream of packets that has a unique pair of values for IP source and IP destination. In our configuration the IP source ranges from 192.85.1.2 to 192.85.1.9 and the IP destination ranges from 192.86.1.2 to 192.86.1.9. The flows are received on the network interface ni0 of the left board, encapsulated and then sent over the ni1 network interface to the right board. Here the flows are decapsulated and routed to the network interface ni0 toward the Port 2 of the Test Center. A similar traffic, of 64 flows, is sent from Port 2 to Port 1 of the Test Center.

Board Bootup

Each LS2088ARDB board must be set up and configured properly. For more information about the booting process, see **NXP Soc Booting Principles**. For more details on the specifics of LS2088ARDB board boot, see [Section 3.7.9](#). This paragraph only provides some custom values and configuration files used for booting the LS2088ARDB board while testing IPsec. Although using the default configuration may work, we strongly encourage using the values/configuration files chosen below.

- While in the U-Boot prompt, make sure that the variable "mcmemsize" is set to 0x80000000. This will ensure that enough memory was allocated to MC. See DPAA2 specific Environment variables for more details.
- Use the files "dpl.dts" and "dpc.dts" provided under the title "Useful Resources". They provide a minimum viable MC configuration that will enable IPsec testing. Both are in the .dts file format. To use them to configure the MC,, you need to compile them using the "dtc" compiler to obtain the "dtb" files:

```
$ dtc -O dtb -I dts -o dpc.dtb dpc.dts
$ dtc -O dtb -I dts -o dpl.dtb dpl.dts
```

For more information about MC resource files, see [Section 7.3.2.2](#).

### Linux setup

When the Linux console prompt is presented to the user (after inserting the user name and password), the following actions must be taken:

- Create DPSECI object and assign them to a DPRC. Make sure to enable congestion management for the DPSECI object.

```
$ restool dpseci create --num-queues=8 --priorities=1,2,3,4,5,6,7,8 --
options="DPSECI_OPT_HAS_CG" $ restool dprc assign dprc.1 --object=dpseci.0 --
plugged=1
```

- Create the IPsec tunnels for each board (left/right) using the script "iproute\_128tunnels.sh". The script takes as parameter the board position (left/write) and uses it to configure each board accordingly. The script can be found in the "Useful Resources" section. You can create your own copy on the board by copying and pasting the content to a local script file, preserving the name.

To create the tunnels on the left board run:

```
$./iproute_128tunnels.sh left
```

To create the tunnels on the right board run:

```
$./iproute_128tunnels.sh right
```

- Disable flow control on board for both ni0 and ni1.

```
$ ethtool -A ni0 rx off
$ ethtool -A ni0 tx off
$ ethtool -A ni1 rx off
$ ethtool -A ni1 tx off
```

**Note:** The flow control must be either on or off but must match the settings of the Test Center. The situation where the Test Control and the boards don't match causes resource in the boards to be oversubscribed which in turn will lead to memory corruption.

### Running the Test

After Spirent Test Center application is configured and the testing Ethernet interfaces are connected to the traffic generator, start to generate traffic to measure IPv4 SEC & Forward throughput.

### Useful resources

- The "iproute\_128tunnels.sh" script

```
#!/bin/bash
eth0=ni0
eth1=ni1
make_esp_tunnel() {
```

```

echo "add $1 $2 esp 0x$3 -m tunnel
-E $4 0x7aeaca3f87d060a12f4a4487d5a5c3355920fae69a96c831
-A hmac-sha1 0xe9c43acd5e8d779b6e09c87347852708ab49bdd3;" | setkey -c
echo "add $2 $1 esp 0x`expr $3 + 100` -m tunnel
-E $4 0xf6ddb555acfd9d77b03ea3843f2653255afe8eb5573965df
-A hmac-sha1 0xea6856479330dc9c17b8f6c37e2a895363d83f21;" | setkey -c
}
make_esp_policy() {
if [$1 == left]
then
dir1=out
dir2=in
echo "spdadd $2 $3 any -P $dir1 ipsec
esp/tunnel/$4-$5/require;" | setkey -c
echo "spdadd $3 $2 any -P $dir2 ipsec
esp/tunnel/$5-$4/require;" | setkey -c
else
dir1=in
dir2=out
echo "spdadd $2 $3 any -P $dir1 ipsec
esp/tunnel/$4-$5/require;" | setkey -c
echo "spdadd $3 $2 any -P $dir2 ipsec
esp/tunnel/$5-$4/require;" | setkey -c
fi
}
Flush the SAD and SPD
setkey -F
setkey -FP
set ip address
left_addr_ip=192.85.1.1
right_addr_ip=192.86.1.1
left_src_mac=00:10:94:00:00:01
right_src_mac=00:10:94:00:00:02
proto="aes-cbc"
base1=200
base2=200
echo 1 > /proc/sys/net/ipv4/ip_forward
case $1 in
left)
ifconfig $eth0 $left_addr_ip
i=2
for((j=2;j<10;j++))
do
arp -s 192.85.1.$j $left_src_mac -i $eth0
for((k=2;k<10;k++))
do
if [$base2 == 256]
then
base2=`expr $base2 - 256`
base1=`expr $base1 + 1`
fi
ip addr add 200.$base1.$base2.10/24 dev $eth1
make_esp_policy $1 192.85.1.$j 192.86.1.$k 200.$base1.$base2.10 200.$base1.$base2.20
make_esp_tunnel 200.$base1.$base2.10 200.$base1.$base2.20 `expr 200 + $i` $proto
((base2++))
((i++))
done
done
;;
right)
ifconfig $eth0 $right_addr_ip
i=2
for((j=2;j<10;j++))
do
arp -s 192.86.1.$j $right_src_mac -i $eth0
for((k=2;k<10;k++))
do
if [$base2 == 256]
then
base2=`expr $base2 - 256`
base1=`expr $base1 + 1`
fi
ip addr add 200.$base1.$base2.20/24 dev $eth1
make_esp_policy $1 192.85.1.$j 192.86.1.$k 200.$base1.$base2.10 200.$base1.$base2.20
make_esp_tunnel 200.$base1.$base2.10 200.$base1.$base2.20 `expr 200 + $i` $proto
((base2++))
((i++))
done
done
;;
esac
ifconfig $eth1 up
route add default dev $eth1

```



- The "dpc.dts" configuration file

```

/dts-v1/;
/ {
 mc_general {
 log {
 mode = "LOG_MODE_ON";
 level = "LOG_LEVEL_WARNING";
 };
 console {
 mode = "CONSOLE_MODE_ON";
 uart_id = <3>;
 };
 };
};
resources {
 icid_pools {
 icid_pool@1 {
 num = <0x64>;
 base_icid = <0x0>;
 };
 };
};
controllers {
 qbman {
 total_bman_buffers = <0xe0000>;
 wq_ch_conversion = <32>;
 };
};
board_info {
 ports {
 };
};
};

```

- The "dpl.dts" configuration file

```

/dts-v1/;
/ {
 dpl-version = <10>;
 /*****
 * Containers
 *****/
 containers {
 dprc@1 {
 parent = "none";
 options = "DPRC_CFG_OPT_SPAWN_ALLOWED" , "DPRC_CFG_OPT_ALLOC_ALLOWED",
"DPRC_CFG_OPT_IRQ_CFG_ALLOWED";
 objects {
 /* ----- MACs -----*/
 obj_set@dpmac {
 type = "dpmac";
 ids = <1 2 3 4 5 6 7 8>;
 };
 /* ----- DPNI's -----*/
 obj_set@dpni {
 type = "dpni";
 ids = <0 1>;
 };
 /* ----- DPBPs -----*/
 obj_set@dpbp {
 type = "dpbp";
 ids = <0 1>;
 };
 /* ----- DPPIOs -----*/
 obj_set@dpio {
 type = "dpio";
 ids = <0 1 2 3 4 5 6 7>;
 };
 /* ----- DPMCPs -----*/
 obj_set@dpmcp {
 type = "dpmcp";
 ids = <1 2 3 4 5 6 7 8 9 10 11 12 13 14 15 16>;
 };
 /* ----- DPCON -----*/
 obj_set@dpcon {

```

```

 type = "dpcon";
 ids = <0 1 2 3 4 5 6 7 8 9 10 11 12 13 14 15>;
 };
};
};
/*****
 * Objects
 *****/
objects {
/* ----- DPNI -----*/
dpni@0 {
 type = "DPNI_TYPE_NIC";
 options = "";
 num_queues = <8>;
 num_tcs = <1>;
 mac_filter_entries = <16>;
 vlan_filter_entries = <0>;
 fs_entries = <0>;
 qos_entries = <0>;
};
dpni@1 {
 type = "DPNI_TYPE_NIC";
 options = "";
 num_queues = <8>;
 num_tcs = <1>;
 mac_filter_entries = <16>;
 vlan_filter_entries = <0>;
 fs_entries = <0>;
 qos_entries = <0>;
};
/* ----- DPBP -----*/
dpbp@0 {
};
dpbp@1 {
};
/* ----- DPIO -----*/
dpio@0 {
 channel_mode = "DPIO_LOCAL_CHANNEL";
 num_priorities = <8>;
};
dpio@1 {
 channel_mode = "DPIO_LOCAL_CHANNEL";
 num_priorities = <8>;
};
dpio@2 {
 channel_mode = "DPIO_LOCAL_CHANNEL";
 num_priorities = <8>;
};
dpio@3 {
 channel_mode = "DPIO_LOCAL_CHANNEL";
 num_priorities = <8>;
};
dpio@4 {
 channel_mode = "DPIO_LOCAL_CHANNEL";
 num_priorities = <8>;
};
dpio@5 {
 channel_mode = "DPIO_LOCAL_CHANNEL";
 num_priorities = <8>;
};
dpio@6 {
 channel_mode = "DPIO_LOCAL_CHANNEL";
 num_priorities = <8>;
};
dpio@7 {
 channel_mode = "DPIO_LOCAL_CHANNEL";
 num_priorities = <8>;
};
/* ----- DPMAC -----*/
dpmac@1 {
};
dpmac@2 {
};
dpmac@3 {
};

```

```
};
dpmac@4 {
};
dpmac@5 {
};
dpmac@6 {
};
dpmac@7 {
};
dpmac@8 {
};
/* ----- DPMCP ----- */
dpmcp@1 {
};
dpmcp@2 {
};
dpmcp@3 {
};
dpmcp@4 {
};
dpmcp@5 {
};
dpmcp@6 {
};
dpmcp@7 {
};
dpmcp@8 {
};
dpmcp@9 {
};
dpmcp@10 {
};
dpmcp@11 {
};
dpmcp@12 {
};
dpmcp@13 {
};
dpmcp@14 {
};
dpmcp@15 {
};
dpmcp@16 {
};
/* ----- DPCON ----- */
dpcon@0 {
 num_priorities=<2>;
};
dpcon@1 {
 num_priorities=<2>;
};
dpcon@2 {
 num_priorities=<2>;
};
dpcon@3 {
 num_priorities=<2>;
};
dpcon@4 {
 num_priorities=<2>;
};
dpcon@5 {
 num_priorities=<2>;
};
dpcon@6 {
 num_priorities=<2>;
};
dpcon@7 {
 num_priorities=<2>;
};
dpcon@8 {
 num_priorities=<2>;
};
dpcon@9 {
 num_priorities=<2>;
};
};
```

```

dpcon@10 {
 num_priorities=<2>;
};
dpcon@11 {
 num_priorities=<2>;
};
dpcon@12 {
 num_priorities=<2>;
};
dpcon@13 {
 num_priorities=<2>;
};
dpcon@14 {
 num_priorities=<2>;
};
dpcon@15 {
 num_priorities=<2>;
};
};
/*****
 * Connections
 *****/
connections {
connection@0{
 /* First copper port (ETH0 on the RDB chassis) */
 endpoint1 = "dpni@0";
 endpoint2 = "dpmac@1";
};
connection@1{
 /* Second copper port (ETH1 on the RDB chassis) */
 endpoint1 = "dpni@1";
 endpoint2 = "dpmac@2";
};
};
};

```

### 7.3.2.6.7 Supporting Documentation

[General SEC information, Job Ring Interface \(JRI\)](#)

[DPAA1-specific SEC details - Queue Interface \(QI\)](#)

### 7.3.3 DPAA2 Standard Linux Documentation

Following is a summary of relevant documentation from standard Linux sources and formats. It provides links to these documents, provides a snapshot of the document, or both.

#### 7.3.3.1 Kernel Documentation Directory

The Linux kernel source code contains a documentation directory, and there is some information there that is relevant to DPAA2. It is possible to see the upstream versions of these documents by going to <https://www.kernel.org/> and browsing the Linux source code trees.

#### 7.3.3.2 DPAA2 Resource Management Tool (restool) User Manual

Restool is a Linux user space program that allows DPAA2 objects to be created, destroyed, and manipulated. Its primary documentation is in the style of a Linux man page.

The Management Complex architecture uses a hardware object called a “container” (or DPRC) to hold I/O resources and hardware objects for use by GPP software contexts.

DPRCs can be created and populated in two different ways:

- at MC initialization during system boot in a configuration file called a “DPL file”

- dynamically at runtime

This document describes how restool can be used to do dynamic management of MC resources in the context of Linux. Key resource management operations include:

- Listing containers and their contents

```
$ restool dprc list
$ restool dprc show dprc.1 dprc.1 contains 106 objects:
object label plugged-state
dpni.3 label plugged
dpni.2 label plugged
dpni.1 label plugged
(...)
```

- Creating/destroying containers

```
$ restool dprc create dprc.1 dprc.2 is created under dprc.1
$ restool dprc destroy dprc.2
dprc.2 is destroyed
```

- Creating/destroying new MC objects. All the DPAA2 MC objects can be created or destroyed using the following format of a `restool` command. Depending on the type of object, there will be different configuration options available.

```
$ restool dpXY create
$ restool dpXY destroy dpXY.Z
```

For an up-to-date list of all possible create time options, please consult the help text available for each type of object.

```
$ restool dpXY create --help
```

For an easier setup, the `restool` package also provides some helper scripts to help in setting up the environment: `ls-addni`, `ls-addsw`, `ls-addmux`, `ls-debug`. Consult their help texts as well for the full list of options.

- Move object between parent container and child container:

```
$ restool dprc assign dprc.x --child=dprc.y --object=dpni.z
```

- Establishing connections between MC objects:

```
$ restool dprc connect dprc.x --endpoint1=dpxy.z --endpoint2=dpxy.z
$ restool dprc connect dprc.x --endpoint1=dpxy.z --endpoint2=dpxy.z
```

### 7.3.4 DPAA2 User Manual

DPAA2 is a hardware-level networking architecture found on some NXP SoCs. This section provides technical information on this architecture mainly for software developers.

[Click here](#) to access the DPAA2 User Manual PDF.

### 7.3.5 Soft Parser Support

#### 7.3.5.1 Soft Parser Configuration Tool

##### 7.3.5.1.1 Introduction

The Soft Parser Configuration (SPC) tool allows users to extend the hard parser's capabilities to support custom protocols that are not supported by the hardware parser.

**7.3.5.1.2 Defining a custom protocol**

The soft parser tool defines custom protocols using xml files, based on the NetPDL standard. It is important to note that even though the language used in the xml files is based on NetPDL, it doesn't follow its rules strictly; therefore, it is highly recommended to read this document.

XML rules: The xml document follows standard xml rules. The document is composed of several elements. Each element begins with a start tag and can contain attributes or child elements. If the element contains child elements, it must have a corresponding end-tag after them. An element without child elements, must end with a slash (/). Note that element and attribute names are always case-sensitive.

In the custom protocol xml these names will not contain capital letters.

Comments always begin with "`<!--`" and end with "`-->`"

For example:

```
<element attribute1="value" <!-- this is a comment -->
<child-element myAttribute="4"/>
</element>
<another-element attribute2="value2"/>
```

**7.3.5.1.2.1 The <netpdl> element**

The custom protocols document always begins with the <netpdl> root element. The end tag of the *netpdl* element should appear in the end of the document.

Attributes: No required attributes

Child elements: protocol

For example:

```
<netpdl>
...
</netpdl>
```

**7.3.5.1.2.2 The <protocol> element**

Each document can define one or more protocols. Every protocol should be defined separately within its own protocol element.

Attributes:

- Name – Required, possible value: string.  
Defines a unique name for each protocol.
- Longname – Optional attribute, possible value: string.  
Defines the name of the protocol for display purposes.
- Prevproto – Required, possible value: protocol name, the following previous protocols are supported:

The following table lists the protocols supported in the prevproto attribute:

**Table 116. Protocols supported in the prevproto attribute**

Protocol	Layer
ethernet	2

Table 116. Protocols supported in the prevproto attribute...continued

Protocol	Layer
llc_snap	2
vlan	2
vxlan	2
pppoe	2
mpls	2
arp	2
ip	3
ipv4	3
ipv6	3
gre	3
minencap	3
otherl3*	3
tcp	4
udp	4
ipsec_ah	4
ipsec_esp	4
sctp	4
dccp	4
otherl4*	4
gtp	5
esp	5
finalshell	5
otherl5*	5

The prevproto attribute defines the previous protocol. The current custom protocol will be invoked only after the parser encounters the defined previous protocol. In the before section, the soft parser will have access to all the fields defined in the previous protocol.

**Note:** \* The softparser xml has a somewhat different structure and behavior when otherl3 or otherl4 are defined as the previous protocol. See Section 2.2.1

Child Elements:

Format, execute-code

Example:

```
<protocol name="gtpu" longname="GTP-U" prevproto="#udp">
...
</protocol>
<protocol name="tcpExt" longname="tcp extension" prevproto="#tcp">
...
</protocol>
```

### Use of “otherl3/otherl4/otherl5” as previous protocols

When otherl3 or otherl4 are defined as previous protocols (in the prevproto attribute of the protocol element), the custom protocol and previous protocol refer to the same position in the frame window. The otherl3 and otherl4 protocols have no defined size or defined fields, they are considered only as entry points for the softparser (or as termination points) and therefore they share the same starting offset with the custom protocol.

Since the otherl3/otherl4 only act as a link to the software parser, and hold no separate header which can be parsed, the before element cannot exist when these protocols are defined as the previous protocol.

#### 7.3.5.1.2.3 The <format> element

The `format` element defines the format of the protocol header.

**Attributes:** None

**Child Elements:** Field

#### 7.3.5.1.2.4 The <fields> element

The `fields` element defines the fields of the protocol header.

**Attributes:** None

**Child Elements:** Field

#### 7.3.5.1.2.5 The <field> element

The `field` element defines a specific field in the custom protocol.

**Attributes:**

- **Type** – Required, possible values: "fixed" (for fields of byte-length size), "bit" (for fields of bit-length size).
- **Size** – Required, possible values: integer. The size of the field is in bytes.
- **Name** – Required, possible values: string. Unique name for the field.
- **longname** – Optional, possible values: string. Defines the name of the field for display purposes.
- **Mask** - Required only for bit fields, possible values: integer. Defines the specific bits in the current bytes which belong to this field.

The field elements appear one after the other and define the protocol's header frame. The first field begins in the first byte of the custom protocol's frame header, and its size is determined by the size attribute. The following fields follow the following rules:

- A fixed field or a field following a fixed field begins in the next byte which is the previous field's offset + the previous field's size.
- A bit field following a bit field begins in the next byte only if the last bit in the previous field's mask is 1.
- If two fields share the same offset (possible only when both fields are bitfields and the mask of the first field doesn't end with 1), they should have the same value in the size attribute.

**Example:**

```
<format>
<fields>
<field type="bit" name="flags" mask="0xE0" size="1"/>
<field type="bit" name="pt" mask="0x80" size="1"/>
<field type="bit" name="version" mask="0x07" size="1"/>
```



```

<field type="fixed" name="mtype" size="1"/>
<field type="fixed" name="length" size="2"/>
</fields>
</format>
<format>
<fields>
<field type="bit" name="version" mask="0xE0" size="1"/>
<field type="bit" name="pt" mask="0x10" size="1"/>
<field type="bit" name="flags" mask="0x07" size="1"/>
<field type="bit" name="flags1" mask="0x01" size="1"/>
<field type="bit" name="flags2" mask="0x10" size="1"/>
<field type="bit" name="flags3" mask="0x02" size="1"/>
<field type="fixed" name="mtype" size="1" longname="message type"/>
<field type="fixed" name="length" size="2" />
</fields>
</format>

```

The fields will be stored in the following bit offsets in the custom protocols header:

```

Version - 0-2
Pt - 3-3
Flags - 5-7
flags1 - 15-15
flags2 - 19-19
flags3 - 22-22
mtype - 24-31
length - 32-47

```

#### 7.3.5.1.2.6 The <execute-code> element

This section contains all the code which should be executed for this custom protocol once the previous protocol has been reached. This element contains two child elements, `before` and `after`. At least one of the child elements must exist. If both child elements exist, the `before` element must appear before the `after` element.

**Attributes:** None

**Child elements:** `before` and `after`.

**Example:**

```

<execute-code>
<before>
...
</before>
<after headersize = "8">
</after>
</execute-code>

```

#### 7.3.5.1.2.7 The <before> element

This section contains code which should be executed once the previous protocol has been encountered but before ensuring that the current frame belongs to the custom protocol. In other words, this code is usually used to confirm that the next frame belongs to the custom protocol and to perform any necessary preparations that are needed before processing the custom protocol header.

When the code in this section is analyzed, the frame window still points to the previous protocol's header and therefore the `$FW` variable still accesses the previous protocol in the `before` sections and the `$headerSize`

variable returns the header size of the previous protocol. It is also possible to access specific fields from the previous protocol's header but not from the current protocol.

After the softparser reaches the end of the `before` section, the frame window moves to the custom protocol (as explained in the after section below). If no after element exists, the softparser jumps back to the hardparser at end of the `before` section.

The `before` element may only appear once in the `execute-code` element, and if an `after` element exists, it must appear after the `before` element.

**Attributes:** none

**Child Elements:** if, switch, assign, action

**Note:** When the previous protocol is `otherl3` or `otherl4`, the previous protocol and the custom protocol are treated as the same and begin in the same offset in the frame window. Therefore, the `before` section cannot exist when the previous protocol is `otherl3` or `otherl4`, and only an `after` element can be defined. See section 2.2.1 for more details.

### 7.3.5.1.2.8 The <after> element

This section contains the code which should be executed when a frame from the current custom protocol has been encountered. In contrast to the 'before' section, in the 'after' section it is possible to access fields from the current protocol, but not from the previous protocol. In the `after` section, the `$FW` variable accesses the current custom protocol and the `$headerSize` variable returns the header size of the current custom protocol.

After the end of the section, the frame window jumps to the end of the custom protocol's header and the program jumps back to the hardparser.

The `after` element may only appear once in the `execute-code` element, and if a `before` element exists, it must appear before the `after` element.

**Attributes:**

- `headerSize` – Optional, possible values: arithmetic expression, default value: calculated according to format element.

The user can define the header size for the custom protocol in this attribute. This information is needed to return to the parser exactly after the custom protocol header. If the header size isn't specified, the SPC assumes that the fields defined in the format element are the only fields in the custom protocol header and calculates the header size according to those fields. The `$headerSize` variable in the `after` section returns the value defined in this attribute (or the value calculated by default if the attribute is missing).

**Child Elements:** if, switch, assign, action

For example:

```
<protocol name="gtp" prevproto="#udp">
<format>
<fields>
<field type="bit" name="version" mask="0xE0" size="1"/>
</fields>
</format>
<execute-code>
<before>
<assign-variable name="$GPR1" value="udp.dport"/>
<!--ILLEGAL: <assign-variable name="$GPR1" value="version" -->
<assign-variable name="$shimr" value="$headerSize"/>
<!-- shimresult now holds udp's header size -->
</before>
```

```
<after headersize="4">
<!--ILLEGAL:<assign-variable name="$GPR1" value="udp.dport"> -->
<assign-variable name="$GPR1" value="version"/>
<assign-variable name="$shimr" value="$headerSize"/>
<!-- shimresult now equals 4-->
</after>
</execute-code>
</protocol>
```

### 7.3.5.1.2.9 Elements in the before and after sections

This section describes the elements in the `before` and `after` sections.

#### The `<assign-variable>` element

The `assign-variable` element assigns an expression to a variable.

##### **Attributes:**

- `name` – Required, possible values: RA variables. The name of the variable which will be assigned a value.
- `value` – Required, possible value: arithmetic expression. The expression assigned to the variable.

**Child Elements:** None

##### Example:

```
<assign-variable name="$shimoffset_2" value="$shimoffset_1+12"/>
```

#### The `<if>` element

The `if` element makes it possible to execute parts of the code only if certain conditions are met.

##### **Attributes:**

- `Expr` – Required, possible values: logical expression. Defines the condition which should be checked before executing the code.

**Child Elements:** `if-true` (required), `if-false`

##### Example

```
<if expr="$shimoffset_3==1">
<if-true>
...
</if-true>
<if-false>
</if-false>
</if>
```

#### `<if-true>`

The `if-true` element defines code which should be executed if the expression defined in the `if` element is true.

**Attributes:** none

**Child elements:** `If`, `switch`, `assign`, `action` (same child elements as in the `before/after` sections)

### <if-false>

The *if-false* element defines code which should be executed if the expression defined in the 'if' element is false.

**Attributes:** none

**Child elements:** If, switch, assign, action (same child elements as in the before/after sections)

### The <switch> element

The *switch* element defines an expression and a set of cases with values and code which should be executed if the value equals the expression. Each 'switch' element must have at least one 'case' child element.

**Note:** Only the code of the first case which matches the expression is executed, the rest of the values will be skipped (in c language terms - a break is automatically added after the code of each case).

#### **Attributes:**

- **expr** – Required, possible values: arithmetic expression.

Defines the value being checked.

**Child Elements:** Case and Default

**Example:**

```
<switch expr="$ShimOffset_3+1">
<case value="2">
<assign-variable name="$GPR1[1:1]" value="0"/>
</case>
<case value="3" maxvalue="4">
<assign-variable name="$GPR1[1:1]" value="1"/>
</case>
<default>
<assign-variable name="$GPR1[1:1]" value="2">
</default>
</switch>
```

### The <case> element

The *case* element matches a value or range of values against the switch expression.

#### **Attributes:**

- **value** – Required, possible values: Integer. If the value equals the switch expression and no earlier case has been matched, the code in the case element is executed.
- **maxvalue** – Optional, possible values: Integer. If the switch expression is equals or is larger than value and the expression equals or is smaller than maxvalue, and no earlier case has been matched, the code in the case element is executed.

**Child Elements:** If, switch, assign, action (same child elements as in the before/after sections).

### The <default> element

The *default* element contains code which should be executed if the expression in the switch element wasn't matched by any of the cases.

**Attributes:** None

**Child Elements:** If, switch, assign, action (same child elements as in the before/after sections).

**The <action> element**

Jumps out of the custom protocol.

**Attributes:**

- type – Required, possible values: currently only 'exit' is supported for this attribute.
- nextproto – Optional, possible values protocol name. The following tables summarize the list of available values for this attribute:

**Table 117. Possible values for the 'nextproto' attribute**

Protocol	Application
ethernet	Jump to ethernet and continue hard parsing
llc_snap	Jump to llc_snap and continue hard parsing
vlan	Jump to vlan and continue hard parsing
vxlan	Jump to vxlan and continue hard parsing
pppoe	Jump to pppoe and continue hard parsing
mpls	Jump to mpls and continue hard parsing
ipv4	Jump to ipv4 and continue hard parsing
ipv6	Jump to ipv6 and continue hard parsing
gre	Jump to gre and continue hard parsing
minencap	Jump to minencap and continue hard parsing
otherl3	Jump to otherl3 and continue hard parsing
tcp	Jump to tcp and continue hard parsing
udp	Jump to udp and continue hard parsing
ipsec_ah	Jump to ipsec and continue hard parsing
ipsec_esp	Jump to ipsec and continue hard parsing
sctp	Jump to sctp and continue hard parsing
dccp	Jump to dccp and continue hard parsing
otherl4	Jump to otherl4 and continue hard parsing
after_ip	Jump to the protocol which should follow the ip protocol. The next protocol is found according to the \$nxtHdr field (for details see the table below). The advance attribute cannot be set to 'no' when using this option.
after_ethernet	Jump to the protocol which should follow the ethernet protocol. The next protocol is found according to the \$nxtHdr field (for details see the table below). The advance attribute cannot be set to 'no' when using this option.
after_tcp	Jump to the protocol which should follow the TCP protocol. The next protocol is found according to the \$nxtHdr field (for details see the table below). The advance attribute cannot be set to 'no' when using this option.
after_udp	Jump to the protocol which should follow the UDP protocol. The next protocol is found according to the \$nxtHdr field (for details see the table below). The advance attribute cannot be set to 'no' when using this option.
return (default value)	Return to the hard parser. Continue parsing the frame header at the same position where soft parsing started. The advance attribute cannot be set to 'yes' when using this option.
none/ end_parse	Finish parsing the frame header, don't return to the hard parser.

Table 118. Next protocol values when nextproto is set to 'after\_ethernet'

\$nxtHdr value	Next Protocol
0x05DC or less	llc_snap
0x0800	ipv4
0x0806	arp
0x86dd	ipv6
0x8847, 0x8848	mpls
0x8100, 0x88A8, ConfigTPID1, ConfigTPID2	Vlan
0x8864	Pppoe
Other value	otherl3

Table 119. Next protocol value when nextproto is set to 'after\_ip'

\$nxtHdr value	Next Protocol
4	ipv4
6	tcp
17	udp
33	dccp
41	ipv6
50, 51	ipsec
47	gre
55	minencap
132	sctp
Other value	otherl4

Table 120. Next protocol values when nextproto is set to 'after\_tcp' or 'after\_udp'

\$nxtHdr value	Next Protocol
2123	GTP(GTP-C)
2152	GTP(GTP-U)
3386	GTP(GTP')
4500	ESP
4789	VXLAN
Other value	Otherl5+

- **advance** – Optional, possible values: "yes", "no". Default value: "yes", unless 'end\_parse' or 'return' are set in the nextproto attribute, or in case the nextproto attribute isn't set, in those cases the default value is 'no'.

The attribute specifies whether the parser should move to the next frame header before jumping. This attribute has different meanings in the before and after sections. In the before section, the parser will move the FW (frame window) past the previous protocol header until it reaches the header of the custom protocol. In the after section, the parser will move the FW past the current custom protocol header until it reaches the header of the next protocol. The FW is advanced according to the header size.

**Notes:**

- The frame window must advance when jumping to 'after\_ethernet' or 'after\_ip' and therefore the advance attribute cannot be set to 'no' in those cases.
- The frame window cannot advance when returning to the hard parser and therefore the advance attribute cannot be set to 'yes' when nextproto is set to 'return' or not set at all.

**Example:**

```
<action type="exit" advance = "yes" nextproto="#udp"/>
```

**7.3.5.1.3 Expressions**

Expressions are constructed of operands and operators. The simplest expression may contain only one operand. Most operators are dyadic, and separate two operands (such as +, -) and some operators are monadic and operate only on the operand following them (such as *not*).

**7.3.5.1.3.1 Operands**

The following operands exist: Numbers, variables, fields, and expressions.

**Note:** All operands are limited to 64 bits (8 bytes).

**Numbers**

Numbers can appear in a decimal (no prefix), binary (begin with 0b), or hexadecimal (begin with 0x) format.

Numbers are always limited to a 64-bit unsigned type. However, some operators are only executed on the 32 LSB of the number. Note that immediate primitive negative numbers are not supported, for examples the number -2 cannot appear in an expression. However, artificial negative value can be created using arithmetic expressions such as 1-3 (which returns 0xffffffe).

**Fields**

Fields are defined in the protocol's *format* element. There are two ways to access fields, either by typing their name directly or by typing the name of protocol where the field is defined, then the dot character and then the name of the field. In the *before* section it is possible only to access fields from the previous protocol and in the *after* section, it is possible only to access the current custom protocol's fields.

**Note:** If the length of the field is longer than 8 bytes we cannot access it. This can be solved either by accessing the frame directly using the \$FW variable, or by splitting the field to several shorter fields.

**Field example:**

```
<protocol name="gtpu" prevproto="#ethernet">
<format>
<fields>
<field type="fixed" name="example" size="2"/>
</fields>
</format>
<execute-code>
<before>
<assign-variable name="$l2r" value="ethernet.type"/>
</before>
<after>
```

```
<assign-variable name="$shimOffset_2" value="example"/> </after>
</execute-code>
</protocol>
```

**Variables**

All variables begin with the \$ prefix, and their name are case insensitive. The following variables exist: Frame window, header size, prevprotoOffset, parameter array, and result array variables.

**Result Array Variables**

These variables return specific bytes in the result array.

Accessing the variables:

- \$variableName – returns the entire variable
- \$variableName[byteOffset:bytesNumber] – Returns the bytesNumber number of bytes in the variable starting from byteOffset. This is useful to access only specific bytes in the variable. In case bytesNumber equals zero, the entire variable is returned starting from byteOffset.

Example: The variable \$actiondescriptor returns result array bytes 64-71 in the results array. Typing \$actiondescriptor[2:4], will return result array bytes 66-69, since 66 is in offset 2 of the variable (64 is offset 0) and the size requested is 4. The variable \$actiondescriptor[3:0] will return result array bytes 67-71, since 67 is in offset 3 of the variable, and size requested is 0 so the entire variable starting with the specified offset (3) is returned.

Other usage: In addition to expressions, the result array variables can also be used in the left side of the assign-variable elements which modify the result arrays values.

The following result array variables exist.

**Table 121. Result array variables**

Variable Name	Bytes referred to in Result Array
gpr1	0-7
gpr2*	8-15
nxthdr	16-17
fafext	18-19
fafflags	20-31
shimoffset_1	32-32
shimoffset_2	33-33
ip_pidoffset	34-34
ethoffset	35-35
l2offset	35-35
llc_snapoffset	36-36
vlantcioffset_1	37-37
vlantcioffset_n	38-38
lastetypeoffset	39-39
pppoeoffset	40-40
mplsoffset_1	41-41



Table 121. Result array variables...continued

Variable Name	Bytes referred to in Result Array
mplsoffset_n	42-42
arpoffset	43-43
l3offset	43-43
ipoffset_1	43-43
ipoffset_n	44-44
minencapoffset	44-44
greoffset	45-45
l4offset	46-46
gtpoffset	47-47
esppoffset	47-47
ipsecoffset	47-47
routhdroffset1	48-48
routhdroffset2	49-49
nxthdroffset	50-50
fragoffset	51-51
grossrunningsum	52-53
runningsum	54-55
parseerrcode	56-56
nxthdrfragoffset	57-57
ipnpidoffset	58-58
softparsectx	59-79
ipv4sa	80-83
ipv4da	84-87
ipv6sa1	80-87
ipv6sa2	88-95
ipv6da1	96-103
ipv6da2	104-111
sperc	112-113
iplength	114-115
routtype	116-116
fdlength	123-125
parseerrstat	127-127

\* Note: The \$GPR2 variable is used internally by the SPC Soft Parser Tool to calculate complex expression, including checksum operations. This variable shouldn't be used by the user. Use this variable only if necessary at your own risk.

### Parameter Array

This variable returns data from the parameter array. Since the parameter array is more than 8 bytes long, it is required to specify the specific bytes needed.

Accessing the variable: \$PA[byteOffset:byteNumber]. Returns the bytesNumber number of bytes in the parameter array starting from byteOffset.

For example:

In order to access the fifth and sixth bytes (index at PA[4] and PA[5]) in the parameter array, type \$PA[4:2]

### Header size variables

Returns the header size, or the default header size.

Accessing the variables: \$headerSize or \$defaultHeaderSize

- In the before section, the \$headerSize of the previous protocol will be returned and accessing the \$defaultHeaderSize is not allowed.
- In the after section, the \$defaultHeaderSize will return the number of bytes in the custom protocol's format fields. The \$headerSize will return the headerSize as defined by the user in the after element. If no headerSize has been defined by the user, the variable will return the same value as the \$defaultHeaderSize

### Frame Window

Returns data from the Frame Header. In the before section, data is returned starting with the previous protocol's header. In the 'after' section data is returned starting with the custom protocol's header

Accessing the variable: \$variableName[bitOffset:bitNumber] – Returns the bitsNumber number of bits in the parameter array starting from bitOffset.

Note: The FW uses similar syntax to the PA and RA variables but accesses specific **bits** instead of bytes.

Examples:

- In order to access the tenth and eleventh bits in the frame array (indexed at FW[9], FW[10]), type \$FW[9:2].
- In order to access the entire third byte in the frame array, type \$FW[16:8].
- The conditions in the following example are always true since we access the same bits with the FW variable and through the fields.

```
<format>
<fields>
<field type="bit" name="first" size="1" mask = "0xE0"/>
<field type="bit" name="second" size="1" mask = "0x1"/>
<field type="bit" name="third" size="1" mask = "0xF"/>
<field type="fixed" name="fourth" size="2"/>
</fields>
</format>
...
<after>
<if expr = "first==$FW[0:3]" > ... </if>
<if expr = "second==$FW[7:1]" > ... </if>
<if expr = "third==$FW[8:4]" > ... </if>
<if expr = "fourth==$FW[16:16]" > ... </if>
</after>
```

**Variable prevprotoOffset**

Returns the previous protocol's frame header offset. The variable has the same value in the before and after section, and always refers to the protocol defined in the prevproto attribute of the protocol element.

In the before section, the FW's current location is equal to prevProtoOffset, in the after section the FW's current location is equal to prevProtoOffset+headerSize.

**Note:** This variable is a "shortcut" to the result array, and returns or modifies values taken directly from the RA. The following tables summarize the RA value returned for each previous protocol.

Table 122.

Previous Protocol	Returned value from RA
Ethernet	\$Ethoffset
Gre	\$Greoffset
ipv4, ipv6	\$Iloffset_n
llc_snap	\$Llcsnapoffset
Minencap	\$Minencapoffset
Mpls	\$mplsoffset_n
Pppoe	\$Pppoeoffset
tcp, udp, sctp, dccp, ipsec_ah, ipsec_esp	\$L4offset
Vlan	\$vlanoffset_n
otherl3, otherl4	\$NxtHdrOffset – When the previous protocol is otherl3 or otherl3, the custom protocol and the previous protocol have the same offset. See section 2.2.1

**7.3.5.1.3.2 Operators**

Many types of operators exist. Operators can receive several operands (usually one or two) or arithmetic or logical value and can return an arithmetic or logical value. An arithmetic value is a number, while a logical value is true or false. The following table describes all the operators and their properties. All dyadic operators (operators which receive two parameters) appear between two operands. All monadic operators appear before an operand.

Table 123. Types of operators

Name	Parameters	Description	Syntax
Greater than	Logical (Arithmetic, Arithmetic)	Checks if the value of the first expression is greater than the second expression	gt
Greater equal	Logical (Arithmetic, Arithmetic)	Checks if the value of the first expression equals or is greater than the second expression	ge
Less than	Logical (Arithmetic, Arithmetic)	Checks if the value of the first expression is less than the second expression	Lt
Less equal	Logical (Arithmetic, Arithmetic)	Checks if the value of the first expression equals or is less than the second expression	le
Equal	Logical (Arithmetic, Arithmetic)	Checks if the two expressions are equal	==
Don't equal	Logical (Arithmetic, Arithmetic)	Checks if the two expressions aren't equal	!=
Logical and	Logical (Logical, Logical)	Checks if both expressions are true	and

Table 123. Types of operators...continued

Name	Parameters	Description	Syntax
Logical or	Logical (Logical, Logical)	Checks if one of the expressions iss true	or
Logical not	Logical (Logical)	Returns true if the expression if false and false otherwise	Not
Add	32bit Arithmetic (32bit Arithmetic, 32bit Arithmetic)	Return the sum of the expressions	+
Subtract	32bit Arithmetic (32bit Arithmetic, 32bit Arithmetic)	Return the difference between two expressions (result of subtraction)	-
Add carry	16bit Arithmetic (16bit Arithmetic, 16bit Arithmetic)	Return the sum of the two-expression summed with the carry after 32 bit.	Addc
Bitwise or	Arithmetic (Arithmetic, Arithmetic)	Returns the result of a bitwise or operation on the two expressions	bitwor
Bitwise xor	Arithmetic (Arithmetic, Arithmetic)	Returns the result of a bitwise xor operation on the two expressions	bitwxor
Bitwise and	Arithmetic (Arithmetic, Arithmetic)	Returns the result of a bitwise and operation on the two expressions	bitwand
Bitwise not	Arithmetic (Arithmetic)	Returns the result of a bitwise not operation on the expression	bitwnot
Shift left	Arithmetic (Arithmetic, Integer – value up to 64)	Return the left expression shifted left by the right expression	shl
Shift right	Arithmetic (Arithmetic, Integer – value up to 64)	Return the left expression shifted left by the right expression	shl
Concat	Arithmetic (Arithmetic, Variable or Integer)	Special instruction explained below	concat
Checksum	Arithmetic (Arithmetic – value up to 0xffff, Arithmetic – value up to 256, Arithmetic – value up to 256)	Special instruction explained below	checksum

**The concat operator**

The *concat* operator shifts the first argument left and inserts the second argument to its right. The concat operation can be executed on variables or integers. If the second argument is a variable, the first argument is shifted left according to the known size of the variable. The result array variables have constant sizes and the sizes of frame header's fields are set in the custom protocol document or the pdl document.

- If the user accesses only specific bits in the second argument, the first argument is shifted left only by the exact number of bits accessed.
- If the second argument is an integer, the first argument is shifted left by the smallest word size the integer fits in - 16, 32, 48 or 64.

**Note:** *The second argument of a concat operation cannot be an expression since the compiler doesn't know at runtime the size of the expression and therefore cannot shift the first argument properly. However, for expressions, the concat operation can simply be replaced by a shift operation (if the user knows the number of bits to shift) and a bitwise or operation. It is still recommended to use concat instead of shift and bitwise left when performing the operation on variables or integers, to keep the final code shorter.*

For example, the following if expression is true:

```
<assign-variable name="$shimr" value="2"/>
<assign-variable name="$GPR1[6:2]" value="3"/>
```

```
<if expr="1 concat $shimr concat $GPR1[6:2] concat 0x40000 ==
0x102000300040000">
```

## The checksum operator

The *checksum* operator is a special operator with different behavior and syntax than the rest of the operators. It appears before three operands which have parentheses around them, and therefore, looks like a function - *checksum(expression, integer, integer)*. The first operand defines the initial checksum value, the second operand defines the frame window offset in which to start the checksum (relative to the current frame window location) and the third operand defines the length of the data, in bytes, on which the checksum operation should be calculated. Since it is only possible to access 256 bytes in the Frame Window the last two arguments should be smaller or equal to 256. Using these values, the checksum executes the add carry (addc) operation on 2 bytes sized words in the frame window range defined. If the range selected contains an odd number of bytes to be check summed, the last byte is padded on the right with zeros to form a 16-bit word for checksum purposes. The total sum is added to the initial checksum value using another addc operation. Therefore, the first argument which defined the initial sum value must be smaller than 0xffff. The result of the final add operation is returned.

For example:

Suppose, we have the following frame, and the custom protocol starts in the 0xE offset (where 4500 appears).

```
FFFF FFFF FFFF 0CCB CC0D DDDD 0800 4500 002E 0000 4000 402F 2AA2 1000 0000 FFFE 0001 0308
0900 0000 0000 0000 0000 0000 0000 0000 0000 0000 0000 0000 0000 0000 DA95 36D6 6f15 778c
```

The following *if* conditions will always be true:

```
<after>
<if expr="checksum(0x30a2,2,7+2) == 0xdaff">
...
<if expr="checksum(0,0,20) == 0xffff">
...
</after>
```

The first checksum operation above performs the following calculation:

0x30a2 + (0x002e addc 0x0000 addc 0x4000 addc 0x402f addc 0x2a00)

The second checksum performs the following calculation:

0x0000 + (0x4500 addc 0x002e addc 0x0000 addc 0x4000 addc 0x402f addc 0x2aa2 addc 0x1000 addc 0x0000 addc 0xFFFE addc 0x0001)

Normally any protocol should update the *\$runningSum* variable with its calculated checksum. This action should be done on after block section of the *execute-code* element by using bitwise XOR operation.

Here is an example for the correct *\$runningSum* update:

```
<after>
<if expr="checksum(0x30a2,2,7+2) == 0xdaff">
...
<if expr="checksum(0,0,20) == 0xffff">
...
</after>
```

- where 46 in this example is the length of the current custom header

## Expression priorities

Expressions containing multiple operators perform the operation according to the following rules, in the order they appear below:

1. First operations in parentheses are performed.
2. Next operations which have a higher priority (see section 3.2.4) are performed.
3. Lastly, if there are several operations with the same priority, they are executed from left to right.

It is recommended to use parentheses when several operators appear in the same expression to make sure they are calculated correctly.

## Specific operator priorities

If several operators appear in the same expressions without any parentheses separating them, they should be performed in the following order:

1. not, bitwise not, checksum
2. add, subtract, add carry
3. bitwise and, bitwise or, bitwise xor
4. shift right, shift left, concat
5. greater than, greater equal, less than, less equal, equal, not equal
6. and, or

## Variables size

In most operations, the expression size is limited to 64 bits. However, there are a few exceptions: when shifting variables, the **shift** value must be equal or lower than 64 since there are only 64 bits in an expression.

The **add carry** operation can only be performed on 16 bit variables and will always return a 16 bit variable. The softparser will report an error if an add carry operation is performed on a constant larger than 16 bit but won't be able to recognize a complex expression larger than 16 bit, therefore it is the user's responsibility to perform the operation only on 16 bit variables.

The **subtract** and **add** operators can only be performed on 32bit variables, and they will only return a 32-bit result. If two 32-bit expressions are added and their result is larger than 32 bits, only the carry will return, such that the returned value is a 32-bit variable. The softparser will report a warning if an add carry operation is performed on a constant larger than 32 bits but won't be able to recognize a complex expression larger than 32 bits.

There is an exception which allow performing add and subtract operations large values. Users can perform these operations with one 64-bit variable and one 32-bit variable and receive a 64-bit result, as long as the operation doesn't modify the 32 most significant bytes. In this case, the 64-bit variable must appear on the left side of the operator. Working in this way in **not** recommended and should only be used if there is no other option or if performance is crucial.

### For example:

The following if expressions are always true:

```
<if expr="0xffffffff+2 == 0x1">
<if expr="0x123456781+3 == 0x123456784">
The following if expression is false (and shouldn't appear in the xml):
<if expr="3+0x123456781 == 0x123456784">
```

### 7.3.5.1.3.3 Expression types

There are two main types of expressions: Logical expressions, which return `true` or `false` and arithmetic expressions, which return a numeric result.

#### Logical expressions

Logical expression appears in the `expr` attribute of the `'if'` element.

These expressions always return a true or false value, and therefore they must use at least one logical operator which will separate arithmetic or logical operators.

##### Examples:

The following are logical expressions -

- `(4==$shimoffset_1 or 5!=$shimoffset_2)`
- `not($ShimOffset_2 ge $ShimOffset_1 or $ShimOffset_1 lt $ShimOffset_2)`

The following are **not** logical expressions -

- `(7 gt 3 and 2+7)`
- `(5 lt 8 or 7)`

#### Arithmetic expressions

Arithmetic expressions always have a numeric result. They can hold a single operand (a number, variable or arithmetic expression), or more than one operands separated by arithmetic operators. Logical operators are not allowed in arithmetic expression.

##### Arithmetic expressions may appear in the following:

- The value attribute of the assign element.
- The headersize attribute of the after element.
- The `expr` attribute of the switch element

##### Examples:

The following are arithmetic expressions:

- `($FW[0:16] + 4)`
- `($shimOffset_1 concat 3)`
- `(3 + 7 + 8 + $shimOffset_2)`
- `4`

The following are not arithmetic expression:

`4==$shimOffset_2`

### 7.3.5.1.4 FAF – frame attribute flags

FAF support was introduced in DPAA 2.0 and they provide information about parsed frame fields. These flags are populated by the Parser after frame parsing.

In SP for DPAA 2.0 was added the ability to access the FAF directly from FSL extension of NetPDL language.

For more detailed information about each FAF meaning and bit position inside *Parse Results* array, refer to *DPAA 2.0 Parser Guide*.

**7.3.5.1.4.1 Inspect FAF**

FAF can be inspected from FSL NetPDL code by using if instruction with attribute *faf* and specify desired FAF name from the list of available FAF names presented below.

All frame attribute flags (HW FAFs and User defined FAFs) can be inspected by the Soft Parser.

```
<if faf="name">
<if-true>
.....
</if-true>
<if-false>
.....
</if-false>
</if>
```

**7.3.5.1.4.2 Modify FAF**

FAF can be modified by using new *set / reset* instructions introduced in FSL NetPDL for DPAA 2.0. Only user defined flags, can be set or reset by the Soft Parser.

To set a FAF flag use:

```
<set faf="name"/>
```

To reset a FAF flag use:

```
<reset faf="name"/>
```

**Available FAF attributes names**

All available FAF names that can be used in FSL NetPDL as *faf* attributes and their meaning are listed in the following tables:

**User defined FAFs:**

Can be both set and inspected by the Soft Parser.

**Table 124. User defined FAFs attributes and their meaning**

custom_0	User Defined Flag 0
custom_1	User Defined Flag 1
custom_2	User Defined Flag 2
custom_3	User Defined Flag 3
custom_4	User Defined Flag 4
custom_5	User Defined Flag 5
custom_6	User Defined Flag 6
custom_7	User Defined Flag 7

**Hardware FAFs:**

Can only be inspected by the Soft Parser (as they are set by the HW Parser).



Table 125. Hardware FAFs attributes and their meaning

IPv6_route_hdr2_present	Routing header present in IPv6 header 2
GTP_primed_detected	GTP Primed was detected
VLAN_prio_detected	VLAN with VID = 0 was detected
PTP_detected	A PTP frame was detected
VxLAN_present	VXLAN was parsed
VxLAN_parsing_error	A VXLAN HXS parsing error was detected
Ethernet_slow_protocol	Ethernet control protocol (MAC DA is 01:80:C2:00:00:00-01:80:C2:00:00:00:FF)
IKE_present	IKE was detected at UDP port 4500
shim_soft_parsing_error	An SXS parsing error was found in the shim shell
parsing_error	A Parsing error was found, the error code is reported in the Parse Result
Ethernet_MAC_present	Ethernet MAC was parsed
Ethernet_unicast	Ethernet MAC DA is Unicast
Ethernet_multicast	Ethernet MAC DA is Multicast
Ethernet_broadcast	Ethernet MAC DA is Broadcast
BPDU_frame	MAC DA is 01:80:C2:00:00:00
FCoE_detected	FCoE frame detected. Ether type is 0x8906 detected
FIP_detected	FCoE initialization protocol detected. Ether type is 0x8914 detected
Ethernet_parsing_error	An Ethernet HXS parsing error was found
LLC_SNAP_present	LLC+SNAP was parsed
unknown_LLCOUI	(LLC is not AAAA03 or OUI is not zero or Ethernet Length is <= 8)
LLC_SNAP_error	A LLC+SNAP HXS parsing error was found
VLAN_1_present	At least one VLAN was parsed
VLAN_n_present	More than one VLAN was parsed
VLAN_parsing_error	A VLAN HXS parsing error was found
PPPoE_PPP_present	PPPoE+PPP was parsed
PPPoE_PPP_parsing_error	A PPPoE+PPP HXS parsing error was found
MPLS_1_present	At least one MPLS was parsed
MPLS_n_present	More than one MPLS was parsed
MPLS_parsing_error	A MPLS HXS parsing error was found
ARP_present	ARP frame with Ethertype 0x0806
ARP_parsing_error	ARP HXS parsing error was found
L2_unknown_protocol	set when next HXS to be executed is the Other L3 shell
L2_soft_parsing_error	A L2 SXS parsing error was found
IPv4_1_present	IPv4 was parsed as first IP, IPv4 SA IPv4 DA IPv4 Protocol
IPv4_1_unicast	IPv4 was parsed as first IP, IPv4 DA is Unicast
IPv4_1_multicast	IPv4 was parsed as first IP, IPv4 DA is Multicast
IPv4_1_broadcast	IPv4 was parsed as first IP, IPv4 DA is Broadcast

**Table 125. Hardware FAFs attributes and their meaning...continued**

IPv4_n_present	IPv4 was parsed as last IP
IPv4_n_unicast	IPv4 was parsed as last IP, IPv4 DA is Unicast
IPv4_n_multicast	IPv4 was parsed as last IP, IPv4 DA is Multicast
IPv4_n_broadcast	IPv4 was parsed as last IP, IPv4 DA is Broadcast
IPv6_1_present	IPv6 was parsed as first IP, IPv6 SA IPv6 DA IPv6 NextHeader are populated
IPv6_1_unicast	IPv6 was parsed as first IP, IPv6 DA is Unicast
IPv6_1_multicast	IPv6 was parsed as first IP, IPv6 DA is Multicast
IPv6_n_present	IPv6 was parsed as last IP
IPv6_n_unicast	IPv6 was parsed as last IP, IPv6 DA is Unicast
IPv6_n_multicast	IPv6 was parsed as last IP, IPv6 DA is Multicast
IP_1_option_present	IP option present
IP_1_unknown_protocol	not IP/GRE/MINENC/TCP/UDP/IPSec/SCTP/DCCP/ICMP/IGMP/ICMPv6UDP Lite
IP_1_packet_is_fragment	IPv4 “more fragments” flag is set or the “fragment offset” field is non-zero or IPv6 Fragment Extension Header present. IPv6FragOffset is populated.
ip_1_packet_is_initial_fragment	IPv4 “more fragments” flag is set and the “fragment offset” field is 0 or IPv6 Fragment Extension Header present and “fragment offset” field is 0.
IP_1_parsing_error	An IP 1 HXS parsing error was found
IP_n_option_present	IP option present
IP_n_unknown_protocol	not IP/GRE/MINENC/TCP/UDP/IPSec/SCTP/DCCP/ICMP/IGMP/ICMPv6UDP Lite
IP_n_packet_is_fragment	IPv4 “more fragments” flag is set or the “fragment offset” field is non-zero or IPv6 Fragment Extension Header present.
IP_n_packet_is_initial_fragment	IPv4 “more fragments” flag is set and the “fragment offset” field is 0 or IPv6 Fragment Extension Header present and “fragment offset” field is 0.
ICMP_detected	ICMP frame detected, IP Protocol is 1.
IGMP_detected	IGMP frame detected, IP Protocol is 2 .
ICMPv6_detected	ICMPv6 frame detected, IP Protocol is 3A.
UDP_light_detected	UDP light detected, IP Protocol is 136
IP_n_parsing_error	An IP n HXS parsing error was found
Min_encap_present	Min. Encap was parsed, the parsed Original Destination Address replaces the IPv4 Destination Address
Min_encap_s_flag_set	The S flag is set in Min. Encap, the parsed IP Src Address replaces the IPv4 Source Address
Min_encap_parsing_error	A Min. Encap HXS parsing error was found
GRE_present	GRE was parsed
GRE_R_bit_set	RFC1701 R bit set
GRE_parsing_error	An GRE HXS parsing error was found
L3_unknown_protocol	set when next HXS to be executed is the Other L4 shell
L3_soft_parsing_error	A L3 SXS parsing error was found
UDP_present	UDP was parsed

**Table 125. Hardware FAFs attributes and their meaning...continued**

UDP_parsing_error	A UDP HXS parsing error was found
TCP_present	TCP was parsed
TCP_options_present	offset value higher than 5
TCP_control_bits_6_11_Set	one or many of URG, ACK, PSH, RST, SYN, FIN bits are set
TCP_control_bits_3_5_Set	one or many of NS, CWR, ECE bits are set
TCP_parsing_error	A TCP HXS parsing error was found
IPSec_present	IPSec was parsed
IPSec_ESP_found	ESP found
IPSec_AH_found	AH found
IPSec_parsing_error	A IPSec HXS parsing error was found
SCTP_present	SCTP was parsed
SCTP_parsing_error	A SCTP HXS parsing error was found
DCCP_present	DCCP was parsed
DCCP_parsing_error	A DCCP HXS parsing error was found
L4_unknown_protocol	Set when next HXS to be executed is the Other L5+ shell
L4_soft_parsing_error	A L4 SXS parsing error was found
GTP_present	GTP was parsed.
GTP_parsing_error	A GTP HXS parsing error was found
ESP_present	ESP was parsed
ESP_parsing_error	An ESP HXS parsing error was found
iSCSI_detected	iSCSI detected. Port# 860
Capwap_control_detected	A Capwap-control frame was detected. Port# 5246
Capwap_data_detected	A Capwap-data frame was detected. Port# 5247
L5_soft_parsing_error	A L5SXS parsing error was found
IPv6_route_hdr1_present	Routing header present in IPv6 header 1

**7.3.5.1.5 Subroutines support**

In SP for DPAA 2.0 was added support to create and call subroutines in FSL NetPDL language for code reusability purpose. Passing parameters is not allowed. Currently only a stack depth of one call is supported since this is supported by DPAA 2.0.

**7.3.5.1.5.1 Defining a subroutine**

A subroutine can be defined by using tag <subroutine> inside <execute-code> tag on the same level with <before> and <after> tags. The name of the subroutine must be specified by using attribute *name*.

```
<subroutine name="sub_name">
<!-- subroutine body -->
.....
</subroutine>
```

A subroutine body can contain all instructions supported the same like <before> and <after> sections but it cannot contain a call to another subroutine because DPAA 2.0 *gosub* instruction allows only one level of call stack.

Multiple subroutines can be defined the only constraint is to have different names.

### 7.3.5.1.5.2 Calling a subroutine

A subroutine can be called by using the tag <gosub/> in FSL NetPDL language and specify the name of the called subroutine by using attribute *name* inside this tag.

```
<gosub name="sub_name"/>
```

A subroutine can be called anywhere from inside sections <before> and <after>. The calls must substitute a set of several instructions for code reusability purpose.

### 7.3.5.1.5.3 Example of a subroutine usage

```
<execute-code>
 <before>

 <gosub name=" sub_1"/>
 <gosub name="sub_2"/>

 </before>
 <after>

 <gosub name="sub_2"/>

 </after>
 <subroutine name="sub_1">
 <!-- subroutine 1 section -->
 <assign-variable name="$gpr1" value="5"/>
 <gosub name="sub_2"/> <!-- warning displayed and gosub is ignored -->

 </subroutine>
 <subroutine name="sub_2">
 <!-- subroutine 2 section -->
 <assign-variable name="$gpr1" value="6"/>

 </subroutine>
</execute-code>
```

### 7.3.5.1.6 SP Hardware configuration file

The Soft Parser Configuration also requires Hardware related settings. All these hardware configurations must be specified in a separate XML file.

All hardware configurations are optional and in case they are not specified, the system uses default values. The entire hardware configuration XML file is optional and can miss entirely in which case the system uses a set of default values for all necessary hardware settings.

#### 7.3.5.1.6.1 The <spconfig> element

The SP hardware configuration file always begins with the <spconfig> root element.

The end tag of the `spconfig` element should appear in the end of the document.

**Attributes:** No required attributes

**Child Elements:** `memorymap`, `device`, `parameters`

For example:

```
<spconfig>
...
</spconfig >
```

### 7.3.5.1.6.2 SoC configuration

The SP hardware configuration file defines the SoC attributes.

**Element:** `soc`

**Attributes:**

- **name** – optional, possible value: string. Specifies the SoC name used to run SP bytecode
- **rev** – optional, possible value: string. Specifies the SoC revision used

Example:

```
<!-- SP configuration file -->
<!-- optional: this configuration file is optional -->
<spconfig>
 <!-- SoC configuration -->
 <!-- optional -->
 <soc name="LS2088" rev="1.0" />
</spconfig>
```

### 7.3.5.1.6.3 Memory map configuration

The SP hardware configuration file can define parser memory map. This is optional, and it is used to define how protocols compiled bytecode is loaded in parser memory. This is useful for advanced users and provides full control over the parser bytecode memory.

#### The `<memorymap>` element

The *memorymap* element is used to encapsulate the entire parser memory map definition for different bytecode sections.

#### The `<bytecode>` element

The *bytecode* element is used to define all attributes for one bytecode section.

**Attributes:**

- **offset** – optional, possible value: numeric.  
Specifies the base address where this bytecode section must be loaded in parser memory.

#### The `<load-on-parser>` element

The *load-on-parser* element is used to define on which parser this bytecode section must be loaded.

**Attributes:**

`name` – optional, possible value: string.

Specifies the parser where this bytecode section must be loaded

Valid values: `wriop_ingress`, `wriop_egress`

### The `<load-protocol>` element

The `load-protocol` element is used to define which protocols from the ones defined in NetPDL protocol definition file must be included in this bytecode section.

#### Attributes:

- `name` – optional, possible value: string.

Specifies the protocol name to be included in this bytecode section

The protocol name must exist in NetPDL protocol definition file.

### Example for memory map definition

```
<!-- SP configuration file -->
<!-- optional: this configuration file is optional -->
<spconfig>
 <!-- optional -->
 <!-- TODO: not implemented: 1 default bytecode section is used with all
 protocols -->
 <memorymap>
 <!-- bytecode section -->
 <bytecode offset="0x40" >
 <!-- load this bytecode section on parsers -->
 <load-on-parser name="wriop_ingress" />
 <load-on- parser name="wriop_egress" />
 <!-- protocols to be included in this bytecode section -->
 <load-protocol name="afteth" />
 <load-protocol name="dap" />
 </bytecode>
 </memorymap>
</spconfig>
```

#### 7.3.5.1.6.4 SP profiles configuration

The SP hardware configuration file can define Soft Parser profiles. SP profiles can contain multiple custom protocols at different offsets. An SP profile represents a chain of HXS each one having a soft sequence attachment. Several profile records (maximum up to 64) can be defined for a parser.

#### The `<sp-profiles>` element

The `sp-profiles` element is used to encapsulate all SP profiles definition for all available parsers.

#### The `<profile>` element

The `profile` element is used to define one SP profile configuration.

#### Attributes:

- `name` – required, possible value: string.

Specifies the profile name, must be unique, and can be maximum 8 characters long.

### The <protocol> element

The *protocol* element used inside a *profile* tag is used to define all custom protocols to be included in this SP profile configuration.

#### Attributes:

- **name** – required, possible value: string.  
Specifies the protocol name to be attached on this profile. The protocol name must be defined in *netpdl* section.

### 7.3.5.1.6.5 SP parameters configuration

The SP hardware configuration file can define parameters passed to SP. This is optional, and it is used to define all the necessary attributes of the parameters passed to SP.

### The <parameters> element

The *parameters* element is used to encapsulate the entire SP parameters definition for a specific SP profile and can be used inside a *profile* tag.

### The <parameter> element

The *parameter* element is used to define all attributes for one parameter.

#### Attributes:

- **name** – required, possible value: string. Specifies the name of this parameter.
- **protocol** – required, possible value: string. Specifies the protocol name for which this parameter is intended. The protocol name must exist in NetPDL protocol definition file.
- **offset** – required, possible value: numeric/string. Specifies the offset in memory of this parameter. In case the keyword 'auto' is used, the offset is automatically calculated based on the previous parameter offset and size
- **size** – required, possible value: numeric. Specifies the size in bytes of this parameter.
- **value** – optional, possible value: numeric. Specifies the default value of this parameter. In case this attribute is missing, then the default value used for this parameter is zero.
- **type** – optional, possible value: string. Specifies the type of this parameter that defines its runtime behavior.

#### Valid options:

- **read-write** – used to specify the parameter can be both read and written.
- **read-only** – used to specify the parameter is read only so cannot be written.  
In case this attribute is missing, then the default value used for this parameter is read-write.

### 7.3.5.1.6.6 Device configuration

The SP hardware configuration file can define Parser device related settings. This is optional, and it is used to define all specific device parser settings (like what protocols should be enabled on initialization, by default on each parser).

### The <device> element

The *device* element is used to encapsulate the entire parser device definition for all available parsers.

## The <parser> element

The *parser* element is used to define all configurations for one parser.

### Attributes:

- **name** – required, possible value: string.  
Specifies the parser for which this device configuration section is intended  
Valid values: *wriop\_ingress*, *wriop\_egress*

## The <set-profile> element

The *set-profile* element is used to define which profiles are loaded on current parser. One of these profiles can be selected as active by using the Networking API.

The first profile loaded on a parser is considered as the *Active Profile* by default and is automatically applied on all networking objects at initialization.

### Attributes:

- **name** – required, possible value: string.  
Specifies the profile name to be loaded on this parser.  
The profile name must be defined in the *sp-profiles* section.

## Example to profile settings

```
<spconfig>
 <sp-profiles>
 <profile name="prf_0" >
 <!-- Empty profile: no SP protocols used -->
 </profile>
 <profile name="prf_1">
 <protocol name="proto_1" />
 </profile>
 </sp-profiles>
 <device>
 <parser name="wriop_ingress">
 <set-profile name="prf_0"/>
 <set-profile name="prf_1"/>
 </parser>
 <parser name="wriop_egress">
 <set-profile name="prf_0"/>
 </parser>
 </device>
</spconfig>
```

### 7.3.5.1.7 Tips and recommendations

This section lists the recommendations while using the Soft Parser Configuration tool.

#### 7.3.5.1.7.1 Updating important fields

The Soft Parser Configuration Tool allows users to define custom protocols, parse these protocols, and update any needed field. However, the tool does not update fields for the user (besides advancing the frame window—see the explanations on the before/after and action elements). Therefore, when using the soft parser tool, some fields are left empty unless the user manually updates them. These fields might be needed in later stages to correctly interpret.



Most of these fields are set automatically by the hard HXS.

Only the "Running Sum" field (corresponding variable: `$runningsum`) must be updated explicitly by the soft sequence on:

- Returning to the hard HXS
- Branching to the next soft or hard HXS
- Terminating

This field must be updated explicitly by the soft sequence if parsing happens beyond the window offset of the hard HXS.

**Note:** Some variables, such as `$nxtHdr` and `$nxtHdrOffset` are used internally by the soft parser. Therefore, fields corresponding to such variables should be modified carefully. For more information, see [Section 7.3.5.1.7.2](#).

The `$nxtHdr` should be modified only if the custom protocol doesn't jump to 'after\_ip'/after\_ethernet' or if the user wants to change the next protocol when jumping to 'after\_ip'/after\_ethernet'. The HXS and next header offsets should only be modified in the `after` section or in the `before` section if the parser exits in that section without advancing the frame header.

#### 7.3.5.1.7.2 Refraining from modifying specific fields

Some fields in the RA are used internally by the soft parser and users should not modify these fields in certain conditions:

- `$GPR1` is used to store temporary values in complex operations, and therefore users should refrain from modifying it.
- `$nxtHdr` is used to calculate the next protocol when jumping to 'next\_ethernet' or 'next\_ip'. Therefore, it should not be modified when `nextproto` equals one of those values.
- `$prevProtoOffset` is used to advance the frame window between the `before` and `after` sections or when using the action element with the `advance` attribute in the `before` section. Therefore, it shouldn't be modified in the `before` section, unless softparser exits in that section without advancing the frame window. `$prevProtoOffset` can equal the following RA variables (which also shouldn't be modified in the same context): `$ethoffset`, `$greoffset`, `$ipoffset_n`, `$llc_snapoffset`, `minencapoffset`, `mplsoffset_n`, `pppoeoffset`, `l4offset`, `vlanoffset_n`, and `$nxtHdrOffset`.
- `$nxtHdrOffset` is used to advance the frame window between the `before` and `after` sections or when using the action element with the `advance` attribute in the `before` section. Therefore, it should not be modified in the `before` section, unless softparser exits in that section without advancing the frame window.

#### 7.3.5.1.7.3 Setting the next protocol

The softparser can be used to add code for an existing protocol or to define an entirely new protocol. When it is used as an extension for an existing protocol and no new frame headers are being parsed, the `nextproto` attribute of the action element should be set to 'return'. In this case, the `nextproto` attribute can also be left empty since 'return' is the default value. If 'return' is set the soft parser will execute the soft parser code and then the hardware parser will continue parsing at the same position in the frame header where it stopped earlier.

When the soft parser is used for a separate custom protocol with its own header, the hard parser should skip this custom protocol (since it won't recognize it and know how to parse it) and therefore the next protocol should be set to a specific protocol. If the next protocol is unknown the `nextproto` attribute in the action element can also be set to 'after\_ip' or 'after\_ethernet', in such cases the next protocol will be determined according to the value in the `$nxtHdr` field.

For example:

1. If we want to execute softparse code when we parse the ethernet protocol, our code will probably include an action like action below which will appear in the 'before' section:

```
<action type="exit" advance="no" nextproto="return">
```

2. If we want to add a custom protocol after Ethernet and then jump to ipv6 our code will probably include an action like action below which will appear in the 'after' section

```
<action type="exit" advance="yes" nextproto="ipv6">
```

3. If we want to add a custom protocol after Ethernet and we don't know where to jump next our code will probably include an action like the action below which will appear in the 'after' section

```
<action type="exit" advance="yes" nextproto="after_ethernet">
```

### 7.3.5.1.8 Limitations

This section describes limitations users should consider when working with the Soft Parser Configuration tool.

#### 7.3.5.1.8.1 Complex expressions

The Soft Parser tool has limited abilities and cannot process any expression. Some expressions that contain many operations and parentheses might be too complicated for the Soft Parser. If you receive an error stating that an expression is too complex, you can try simplifying it by splitting it to a few expressions, opening parenthesis, or storing temporary values in the result array variables. (\$GPR1 is recommended for storing temporary variables but refrain from storing in \$GPR2 which is used internally by the tool.) Notice that the checksum operation is especially prone to participate in expressions that are too complex.

#### 7.3.5.1.9 Running the Soft Parser tool

The Soft Parser Tool should be executed using the `spc` executable file. For information about obtaining `spc` executable, see [Section 3.5](#).

The following command-line options are relevant for the soft parser:

- `-s <custom_protocol_file>` - required. The file contains the xml with the description of all the custom protocols, as explained in this document.
- `-c <config_file>` - required. Specifies the SP hardware configuration file.
- `-d <pdl_file>` - optional. This file contains information regarding the protocols supported by the hard parser. If this option is missing, then the default pdl file will be used.
- `-i` - optional. Generate intermediate code.
- `-l <level>` - optional. Specify log level. The following choices are valid: none, err, warn, info, dbg1, dbg2, dbg3.

For more information type: `spc --help`

#### 7.3.5.1.10 Output of the SPC tool

The output received after running SPC Tool is a **Soft Parser Blob** (\*.spb file). A soft parser blob is a binary file that contains entire configuration required to configure the Soft Parser (custom protocols bytecode and SP hardware configuration).

If the option `-i` is used, then additional files are generated: several levels of intermediate code (*parsed*, *ir*, *code*, *asm*) and *\_blob.h* file, which is the entire binary blob information dumped in human readable format as an array of bytes.

7.3.5.2 SPC on DPAA 2.x Based Platforms

7.3.5.2.1 Introduction

This section describes how to apply the Soft Parser configuration on the DPAA 2.x based platforms.

7.3.5.2.1.1 Solution overview

The architecture is based on using an offline tool to take in a text-based description of the protocol(s) to be parsed and produce a blob for Management Complex (MC) to load.

Loading of the blob is done at system boot by U-Boot. There is one blob per system and the soft parser sequence(s) can be used on any of the interfaces (physical ports or internal links).

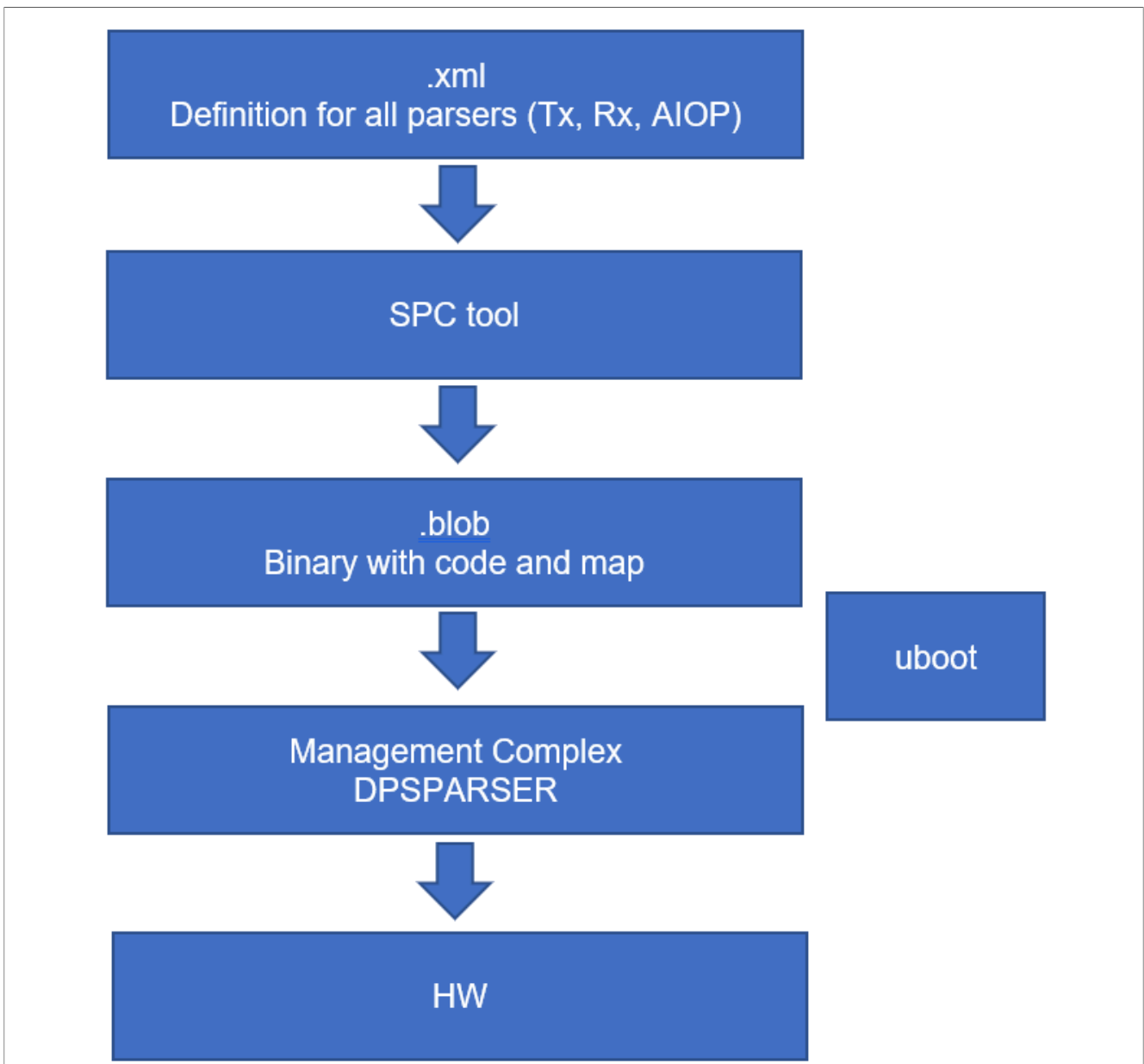


Figure 145. High-level solution overview

A soft parser blob is a binary file that encapsulates the entire configuration required to configure the Soft Parser HW module: custom protocols bytecode, SP protocols configuration, SP parameters, and soft parser hardware configuration. The soft parser blob file is generated by the SPC (Soft Parser Configuration) Tool. MC can be used to apply an SP Blob on hardware by using U-Boot command line.

7.3.5.2.1.2 System Architecture

The high-level architecture for Soft Parser programming is represented in the following picture with all modules involved and their interaction.

Soft Parser programming

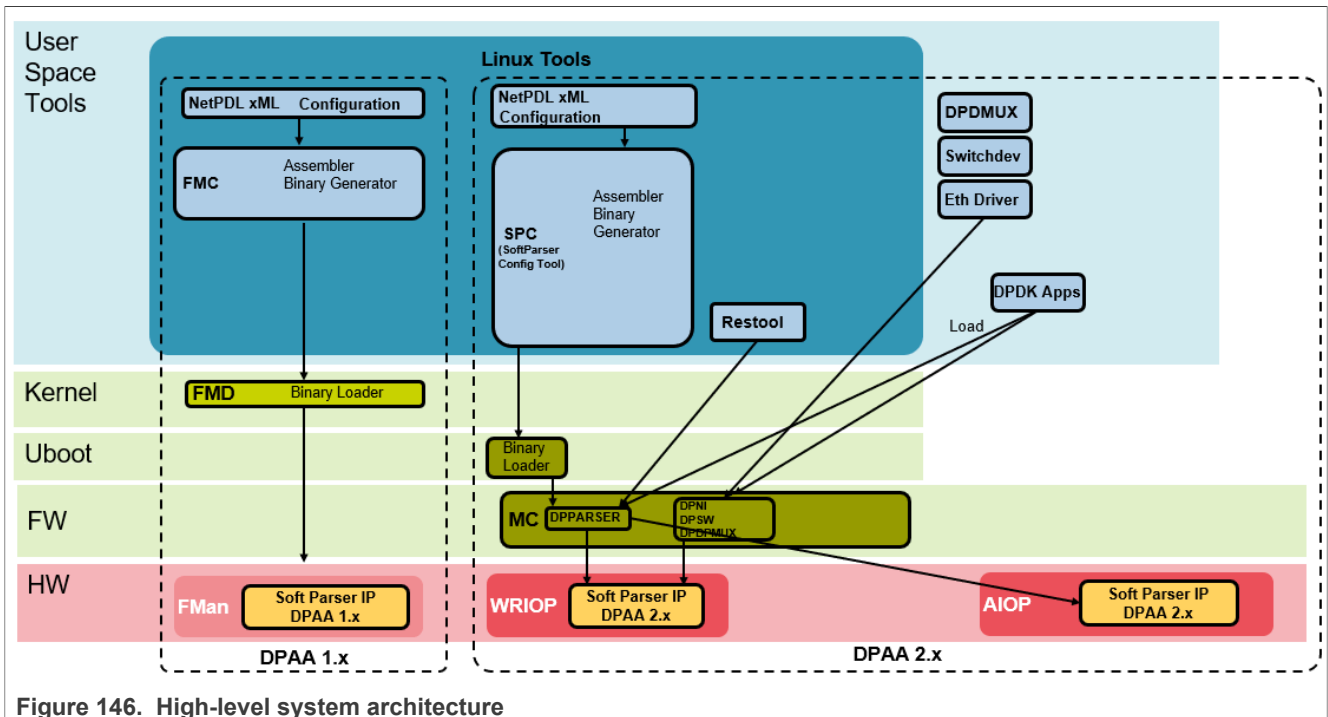


Figure 146. High-level system architecture

The architecture for SP programming on DPAA 2.x was designed to be used in a similar way as it is on DPAA 1.x platforms by taking as input an XML configuration file in NetPDL language.

This architecture is composed from the following modules:

- User space tools:
  - SPC – Soft Parser Configuration Tool
  - Restool
- User applications:
  - DPKD apps
- Binary loader:
  - U-Boot
- Firmware:
  - MC – Management Complex
- Hardware:
  - WRIOP – Soft Parser

### 7.3.5.2.2 Applying Soft Parser Blob on hardware

In order to apply a Soft Parser Blob on hardware, use this command after MC is started:

```
fsl_mc apply spb <blob_address>
```

This command must be used before applying the DPL file (`apply dpl`) command.

Example: `fsl_mc apply spb 0xac000000`

This command invokes MC to load, parse, verify, and apply configuration from a soft parser blob file.

If the blob was applied and the command succeeded, then, this is confirmed at command line:

```
fsl-mc: Applying soft parser blob... SUCCESS
```

If an error occurred and the command failed, the error is displayed at command line:

```
fsl-mc: Applying soft parser blob... FAILED with error code = 1:
BLOB : Magic number does not match
```

Or:

```
fsl-mc: Applying soft parser blob... FAILED with error code = 29:
apply spb : Soft Parser BLOB is already applied
```

After applying Soft Parser Blob, you can apply DPL and boot Linux.

At this point, Soft Parser is configured according to configuration existent in blob applied above and can be used.

After the Linux boot, the interfaces used to receive traffic must be configured from command line.

**Optionally** the MC console can be checked to verify soft parser actions performed. For this you have to enable log level 'Info' in MC console by using the following option in DPC file:

```
level = "LOG_LEVEL_INFO";
```

- **verify blob actions performed:**

```
cat /dev/fsl_mc_console | grep BLOB
the log should contain similar line (otherwise the custom protocol is not
usable):
```

```
[I, DPSPARSER] Soft Parser BLOB parsing : Completed
```

- **verify DPSPARSER actions performed:**

```
cat /dev/fsl_mc_console | grep DPSPARSER
the log should contain similar lines (otherwise the custom protocol is not
enabled):
```

```
[I, DPSPARSER] Enable system WRIOP INGRESS SPs on PPID 0
```

```
[I, DPSPARSER] 'afteth' : HXS = 0x1 PC = 0x20 Parameters = 0
```

The interfaces used must be correctly configured by using `ifconfig` command.

An external traffic generator can be used to create test frames with custom protocols and then inject these frames in configured interfaces. These frames are then processed by the Soft Parser according to configuration applied.

### 7.3.5.2.3 Limitations

This section describes the limitations users should consider when working with Soft Parser Blob:

- The U-Boot command to load, parse, and apply a soft parser blob SPB file (*'apply spb'*) can be used only before applying the DPL file (*'apply dpl'*) command. Never try to use *'apply spb'* command after *'apply dpl'* command because this action results in an error and SPB configuration will not be applied.
- There is no support to load a soft parser blob (SPB) file from Linux. Currently this action can be performed only from U-Boot.
- Networking object API (for network objects DPNI, DPDMUX, DPSW) is not currently supported (as it is described in architecture document)
- For SPC Tool limitations, see [Section 7.3.5.1.8](#)

## 7.4 Packet Forward Engine (PFE) Network Driver

### 7.4.1 Introduction

This section describes the Linux driver which enables support for Ethernet on Packet Forward Engine (PFE) hardware. EMACs are part of PFE IP, to receive/transmit packets through EMAC interface it should be accessed through PFE interface by programming it.

#### 7.4.1.1 Purpose

The purpose of this section is to provide a user guide and configuration details for the PFE driver, and a high-level view of the driver's structure, as well as to describe its major functionalities with a focus on the features provided by the PFE IP.

#### 7.4.1.2 Features

This section provides an overview of the major PFE features:

- MAC Layer.
- MAC Address Filter.
- Interrupt for Tx/Rx packets.
- Scatter/Gather support.
- Interrupt coalescing.
- TCP/UDP checksum verification and generation.

### 7.4.2 High-level decomposition and data flow

A system level block view, from a network device perspective, may be depicted as follows:

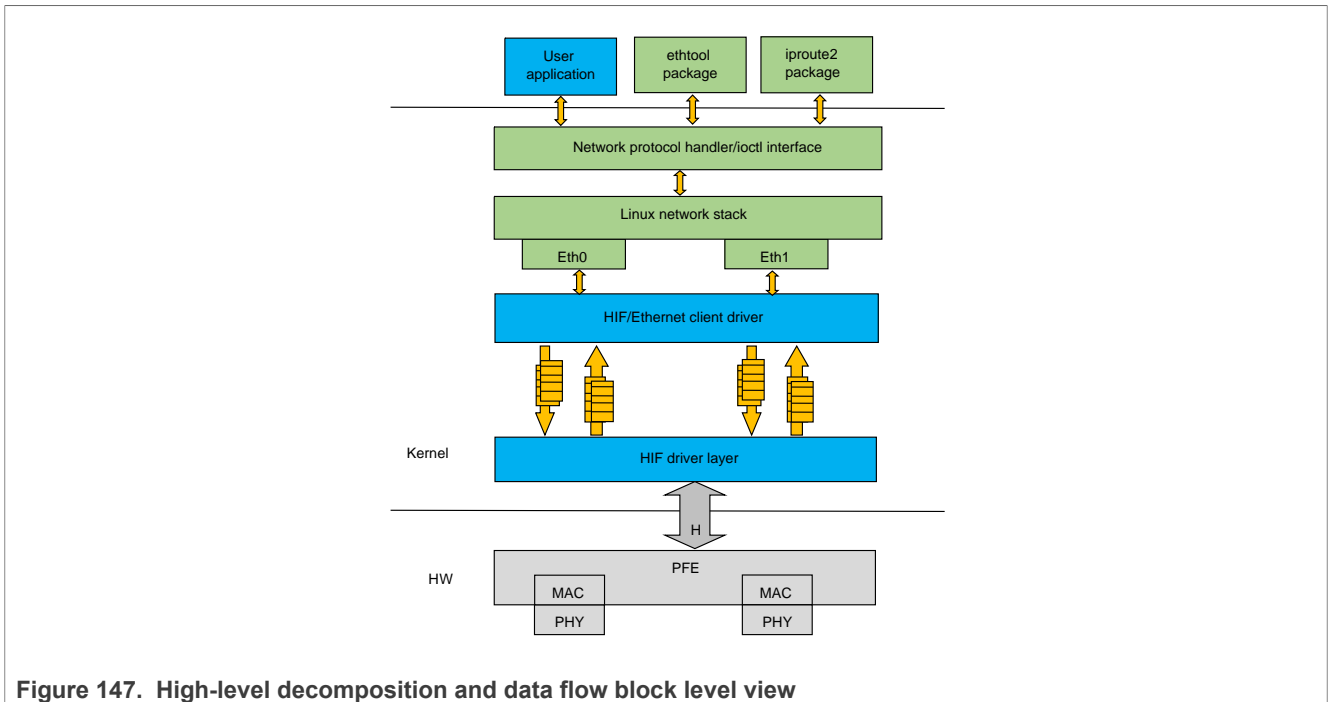


Figure 147. High-level decomposition and data flow block level view

The PFE, MAC and PHY are the hardware blocks, the kernel networking stack along with the network driver are running in the Kernel space, and finally ethtool and iproute2 are examples of user space tools used for configuring the network devices.

The PFE hardware supports one HIF RX and TX descriptor queues to send and receive packets through PFE. Both network interface traffic is multiplexed and sent over Host Interface (HIF) queue.

User space packages like ethtool and iproute are used to configure the network device parameters. The ethtool interface is extended to provide support for filer programming. The kernel space module for the network driver is the most important block as it communicates with both the user space and the H/W IP to control the processing of packets.

The basic functionality of any Ethernet driver is to handle the reception of packets from an ingress port (might include checksum calculation, header verification, and so on), as well as the transmission of packets on the egress port (might include checksum recalculation, header manipulation, and so on). There are also the device configuration and control functionalities, and device status reporting. When the Ethernet driver is actually implementing these functionalities, it needs to interact with the core (Kernel) as well as the hardware IP (the Ethernet controller).

The PFE Linux kernel module has following two main parts:

- **HIF driver layer:** This part of the driver talks with HIF hardware interface and send and receive the packets from it. It receives packets from HIF interface and identifies from which MAC interface it received and send the packet to corresponding client driver queue. Similarly, if there is any pending packet from client queue to transmit packet it takes and inserts the HIF header and put it into the HIF queue. It uses the NAPI to receive packets and send it to corresponding client queues and triggers client to process packets from the queue.
- **HIF/Ethernet client driver:** Ethernet client driver is a hardware independent driver and registers with the HIF driver to transmit and receive packet through HIF interface. For each interface one instance of client driver should be register with the HIF driver layer, other side it registers with Linux kernel stack as network interface. Each client driver will have software queues to communicate with HIF driver layer. Each client driver registers with NAPI and indicate packets to the stack through the NAPI poll.

### 7.4.3 NAPI support

PFE HIF driver layer uses NAPI handling for Rx path processing, the Linux polling mechanism being triggered by frame receive interrupts. The driver registers irqs for receive and the NAPI (polling) handlers are provided to the Kernel. Similarly, HIF Ethernet client driver also uses NAPI handling to process software queues and pass them to the Kernel Network stack.

On the receive path:

- When the receive interrupt gets triggered, a softirq for the polling function on Rx is scheduled.
- The RX\_SOFTIRQ thread is raised by the Kernel, and the HIF Rx queues will be processed by the driver's polling function and the incoming packets are being passed to client Rx queues and triggers the client NAPI handling.
- HIF/Ethernet client NAPI poll receives packets from client Rx queues and passes to the Network stack.

### 7.4.4 Interrupt coalescing

On a high-speed network interface the rate of packet reception and transmission can be as high as the CPUs would be spending most of the time servicing these interrupts. With the interrupt coalescing feature, packets are collected and one single interrupt is generated for multiple packets to avoid flooding the system with interrupts from the Ethernet device.

PFE hardware supports hardware coalescing for receive interrupts, complemented by timer-based thresholds. PFE driver provides basic support for setting the coalescing parameters via ethtool -C by implementing the "rx-usec" option.

### 7.4.5 Checksum offloading

For large frames, offload of checksum verification saves a significant fraction of the CPU cycles that would otherwise be spent by the TCP/IP stack. IP packet fragmentation and reassembly, and TCP stream establishment and tear-down are not performed in hardware.

On Tx side, PFE hardware provides IPv4/IPv6 and TCP/UDP header checksum generation. On the Rx side, PFE driver lets the Kernel know that checksum verification is not required if valid IP headers or TCP/UDP headers were found and valid sums were verified, by setting the CHECKSUM\_UNNECESSARY flag. On Tx side, the checksum is generated (offloaded) for TCP/UDP packets over IPv4 based on the pseudo-header checksum (phcs) provided by the Linux networking stack. PFE Linux driver instructs the stack about its ability to provide partial checksumming, based on the phcs for TCP/UDP packets, by setting the NETIF\_F\_IP\_CSUM device capability flag. PFE hardware doesn't support per packet-based checksum calculation control, it should be enabled or disabled for all packets.

### 7.4.6 Scatter gather support

Scatter-Gather I/O is a method by which a single procedure call sequentially writes data from multiple buffers to a single data stream or reads data from a data stream to multiple buffers. The buffers are given in a vector of buffers. Scatter/gather refers to the process of gathering data from, or scattering data into, the given set of buffers. The I/O can be performed synchronously or asynchronously to this procedure.

On the Tx side, PFE HIF interface supports "gathering" big packets from multiple buffers. This ability is signaled by the driver to the Linux network stack by setting the NETIF\_F\_SG device hardware feature flag. The driver takes into account the number of fragments composing the packet that is going to be transmitted, and places each fragment into consecutive BD ring buffers before issuing the command to start sending the frame.

On the Rx side, the PFE HIF interface is capable of "scattering" big packets into multiple fixed size buffers having consecutive buffer descriptors (BDs).



### 7.4.7 Ethtool support

Non-exhaustive list of the most notable ethtool commands implemented by PFE Linux driver:

`-C | --coalesce DEVNAME [rx-usecs N]`

Sets Rx interrupt coalescing in microseconds('usecs').

`-K | --offload DEVNAME`

Sets UDP/TCP checksum offloading enabled or disabled.

- `rx on|off` - Specifies whether RX checksum is enabled or disabled.
- `tx on|off` - Specifies whether TX checksum is enabled or disabled.

`-S | --statistics DEVNAME`

Queries the specified network device for NIC- and driver-specific statistics.

`-s DEVNAME`

Allows changing some or all settings of the specified network device. All following options only apply if `-s` was specified.

- `wol g` - Sets Wake-on-LAN options. The argument to this option is a string of characters specifying which options to enable.

`-A|--pause devname`

`[tx on|off]` Specifies whether TX pause should be enabled.

## 7.5 Linux Ethernet Driver for eTSEC

### 7.5.1 Linux Ethernet Driver for eTSEC

#### 7.5.1.1 Introduction

Gianfar is the Linux driver that enables Ethernet support for the SoCs featuring eTSEC (Enhanced Three-Speed Ethernet Controllers). Though the driver is designed to support the latest eTSEC2.0 features present on the low-power QorIQ platforms, it also maintains backward compatibility with older IPs from the same family, like eTSEC (eTSEC 1.x) and TSEC (present on the PowerQUICC III platforms) and FEC (Fast Ethernet Controller).

##### 7.5.1.1.1 Purpose

The purpose of this document is to provide a user guide and configuration details for the Gianfar driver, and a high-level view of the driver's structure, as well as to describe its major functionalities with a focus on the features provided by the eTSEC2.0 IP.

##### 7.5.1.1.2 Features

This section provides an overview of the major eTSEC2.0 ("virtualized" eTSEC) features:

- o MAC Layer
- o *Interrupt grouping mechanism*
- o *Virtualized register space*

- o Rx Subsystem:
  - MAC Address Filter
  - L2/L3/L4 Parser
  - Filer Engine
  - *Hash or RR Distribution*
  - *Multiple Rx Interrupt*
- o Tx Subsystem:
  - Tx Scheduler
  - L3/L4 Offload
  - *Multiple Tx Interrupt*

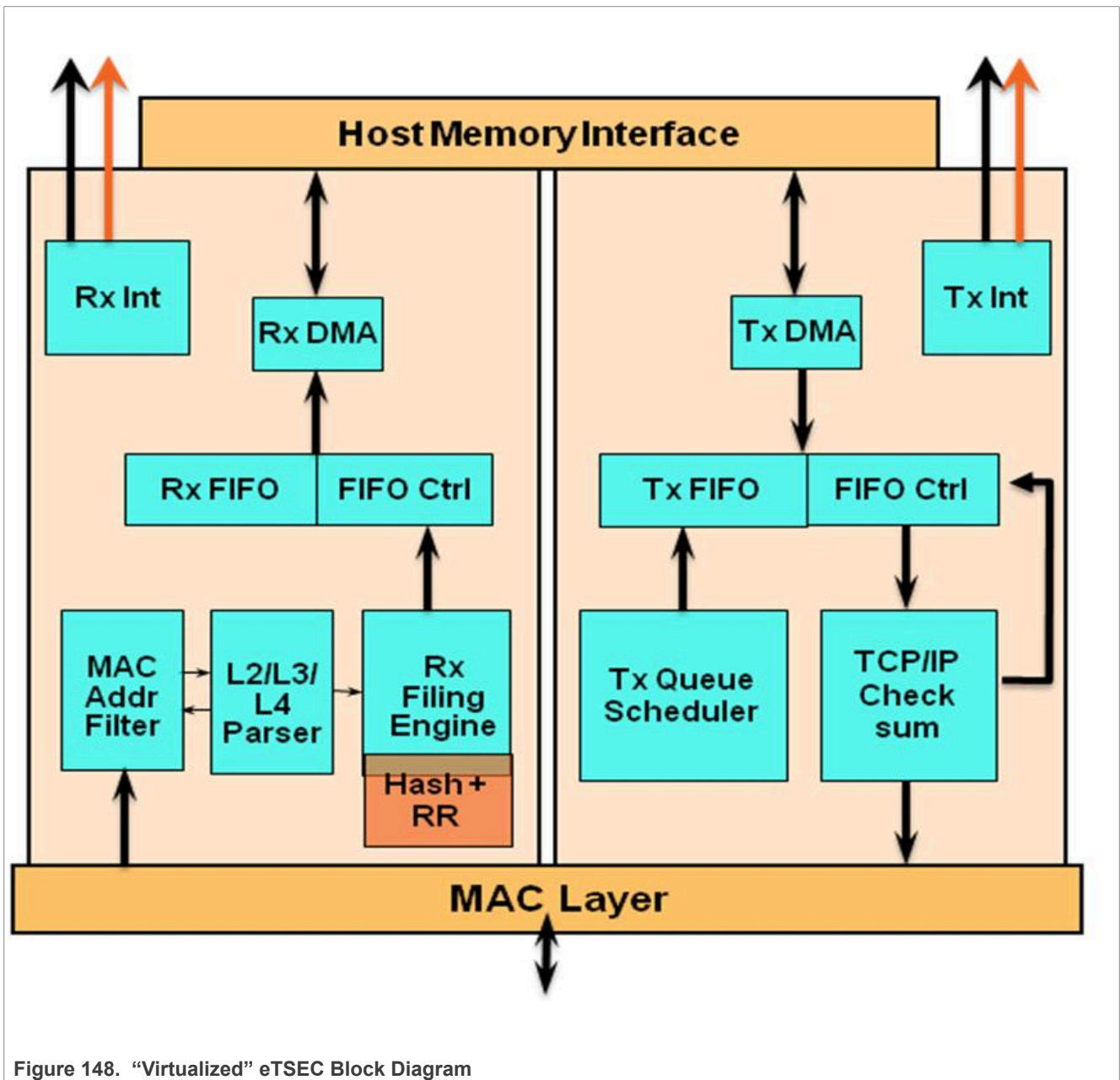


Figure 148. "Virtualized" eTSEC Block Diagram

- *o Interrupt virtualization:*
  - Each ring maps to one of two separate groups for interrupt and BD management; each group associated by software with a CPU.
  - Separate address spaces per group and for MDIO.
  - Interrupt coalescing controls per ring in multi-group mode, packet-count based and timer-based thresholds, for both Rx and Tx.
- *o TCP/IP Offload Engine (TOE):*
  - IP v4 and IP v6 header recognition on receive
  - IP v4 header checksum verification and generation
  - TCP and UDP checksum verification and generation
  - Per-packet configurable offload
  - Recognition of VLAN, stacked-VLAN, 802.2, PPPoE session, MPLS stacks, and ESP/AH IP-Security headers
- *o Quality of service (QoS) support:*
  - Transmission from up to eight queues: priority-based queue selection or modified weighted round-robin (MWRR) queue selection with fair bandwidth allocation
  - Reception to up to eight physical queues:
    - Table-oriented queue filing strategy based on 16 header fields or flags
    - Frame rejection support for filtering applications
    - Filing based on Ethernet, IP, and TCP/UDP properties, including VLAN fields, Ether-type, IP protocol type, IP TOS or differentiated services, IP source and destination addresses, TCP/UDP port number

#### 7.5.1.1.3 Notes on high-level decomposition and data flow

A system level block view, from a network device perspective, may be depicted as follows:

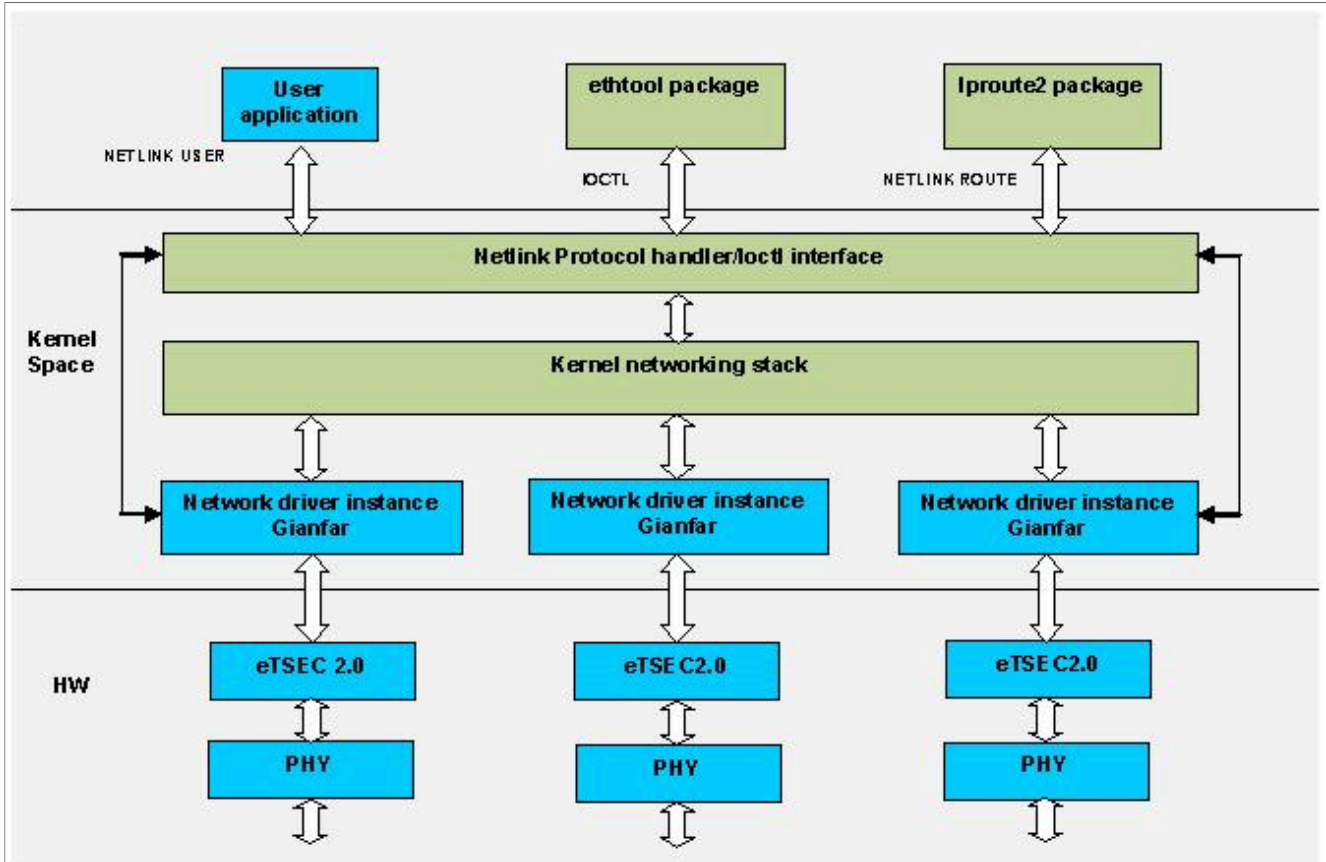


Figure 149. Gianfar High-level decomposition

The eTSEC2.0 and PHY are the hardware blocks, the kernel networking stack along with the network driver are running in the Kernel space, and finally ethtool and iproute2 are examples of user space tools used for configuring the network devices.

The eTSEC2.0 includes some additional support compared with the previous versions:

- it has support for interrupt virtualization
- on the TX side, it can distribute packets to the multiple queues based on simple hashing or round robin mechanisms

The eTSEC2.0 has support for multiple RX and TX queues. On the receive side, an incoming packet will be filed to one of the queues based on the rules programmed into the filer. By default, all the packets will be filed to queue 0. On the transmit side, either a simple hash-based implementation or a round robin algorithm distributes the packets to the available number of queues. User space packages like ethtool and iproute are used to configure the network device parameters. The ethtool interface is extended to provide support for filer programming.

The kernel space module for the network driver is the most important block as it communicates with both the user space and the H/W IP to control the processing of packets. The eTSEC network device driver will be referred to as Gianfar in the rest of the document.

The Gianfar driver may be divided into subblocks based on the number of independent threads that Linux will run in order to completely transfer a packet from ingress to egress side. The basic functionality of any Ethernet driver is to handle the reception of packets from an ingress port (might include checksum calculation, header verification, and so on), as well as the transmission of packets on the egress port (might include checksum recalculation, header manipulation, and so on). There are also the device configuration and

control functionalities, and device status reporting. When the Ethernet driver is actually implementing these functionalities, it needs to interact with the core (Kernel) as well as the hardware IP (the Ethernet controller).

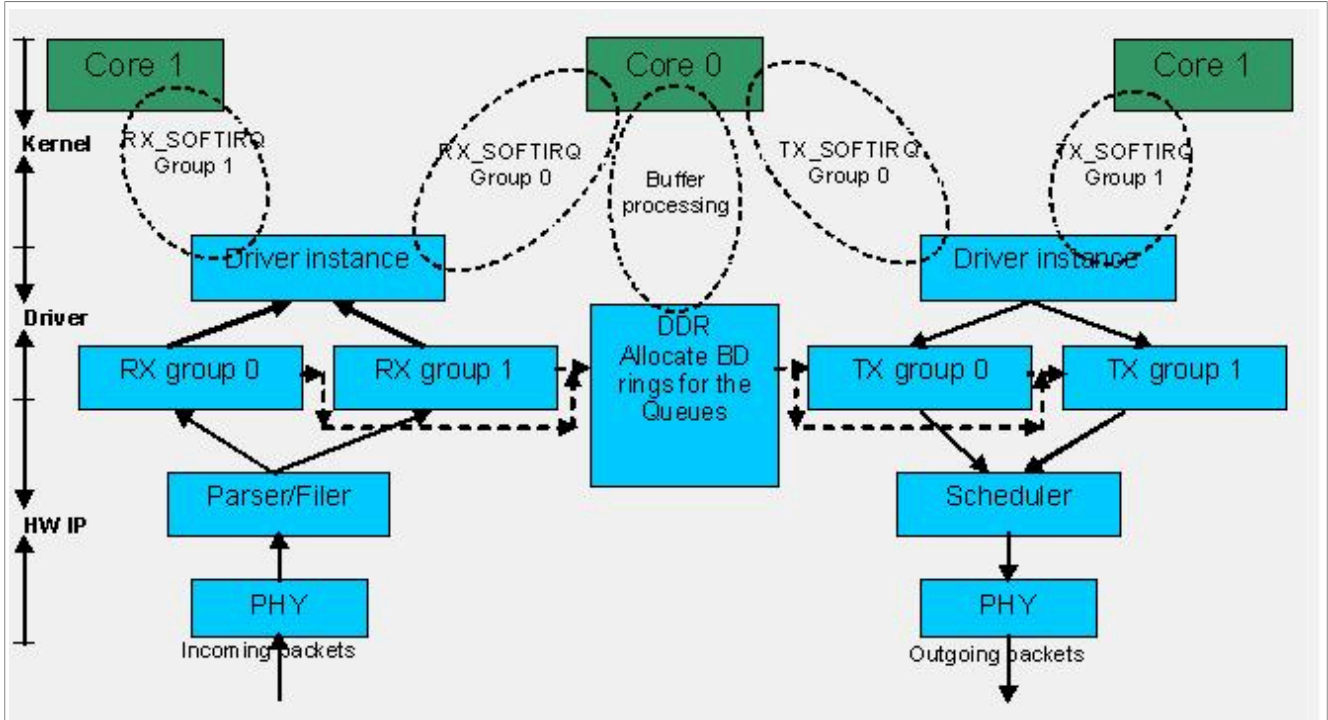


Figure 150. Gianfar Packet Flow

In the above figure, it can be noted that the receive side includes parsing/ filtering before a packet is "put" into a buffer descriptor. The transmit side includes an H/W queue scheduler for transmission of packets.

As already mentioned, eTSEC2.0 has support for multiple hardware queues for Rx and Tx in hardware. These queues are basically divided into two groups; let's say all odd-numbered queues correspond to one group and even-numbered queues correspond to other group. In a multicore environment (for example, a dual core system), each group of queues can be programmed to be handled by one of the two cores, which will result in an increased performance.

For simplicity, we always assume that:

- All the even-numbered queues are mapped to Group 0 and odd-numbered queues are mapped to Group1.
- Group 0 interrupts can be assigned to be processed by Core 0 and Group 1 interrupts to be processed by Core 1 (except for error the interrupts, which are always destined to Core 0, which is the master core).

From the above figure, it can be noticed that there will be a receive, and a transmit thread running on each core, for processing the packets corresponding to the group assigned to that core. The receive thread processes the received packets - handles the RX buffer descriptor (BD) rings, and passes the received packets to the networking stack for further processing; the transmit thread schedules the packets passed down by the stack to be transmitted out of the device. There is also a transmission cleanup thread, triggered by the TX confirmation interrupts, to handle the TX BD rings and congestion.

Gianfar may be broadly decomposed into the following subblocks:

1. Initialization block
2. Receive block
3. Transmit block
4. Control block

So, the Receive and Transmit blocks handle processing of ingress and egress packets.

Before processing packets the driver needs to perform some initialization steps like:

- extracting the device tree parameters
- initialization of the multiple queues
- registering the driver with the kernel
- allocating buffer descriptors
- registering the interrupts (and so on.)

All these functionalities are implemented by the Initialization block.

Each of these submodules implements various functionalities, as detailed in the coming section.

### 7.5.1.2 Functionality

#### 7.5.1.2.1 Multi-Queue support

eTSEC features multiple physical queues or BD rings. The multi-queue support (MQ) in the driver is enabled by default for eTSEC2.0 IPs.

Hardware queue events are mapped to one of the two available CPUs via eTSEC *Interrupt Groups*. For eTSEC2.0, each Rx/Tx hardware queue or BD ring is mapped to one of the two available Interrupt Groups, and each group in turn has its Rx/Tx interrupt lines assigned to a given CPU. By default, the driver enables 1 Rx and 1 Tx queue per Interrupt Group.

eTSEC2.0 supports 2 Interrupt Groups, this is also known as the Multi-Group (MG) mode in Gianfar. Each group has its own Rx, Tx, and Err interrupt lines which can be individually affined to any of the 2 CPUs, as a measure to balance the processing load. Also, each interrupt group has its own block of registers, most notably `ievent`, `imask`, `tstat`, and `rstat`, so queue events are handled at the interrupt group level. Having more than 1 Rx and 1 Tx queue assigned to a single interrupt group would therefore incur a software processing overhead that would not be justifiable for the majority of use cases. This is why the driver enables by default only 1 set of Rx and Tx queues per Interrupt Group.

eTSEC1.x and other older eTSEC IPs support only one interrupt group (`g0`), meaning that they are working in Single Group (SG) mode.

The mapping Rx/Tx queues to interrupt groups is by default: Rx Q0 and Tx Q0 assigned to Group0 (`g0`), and Rx Q1 and Tx Q1 assigned to Group1 (`g1`).

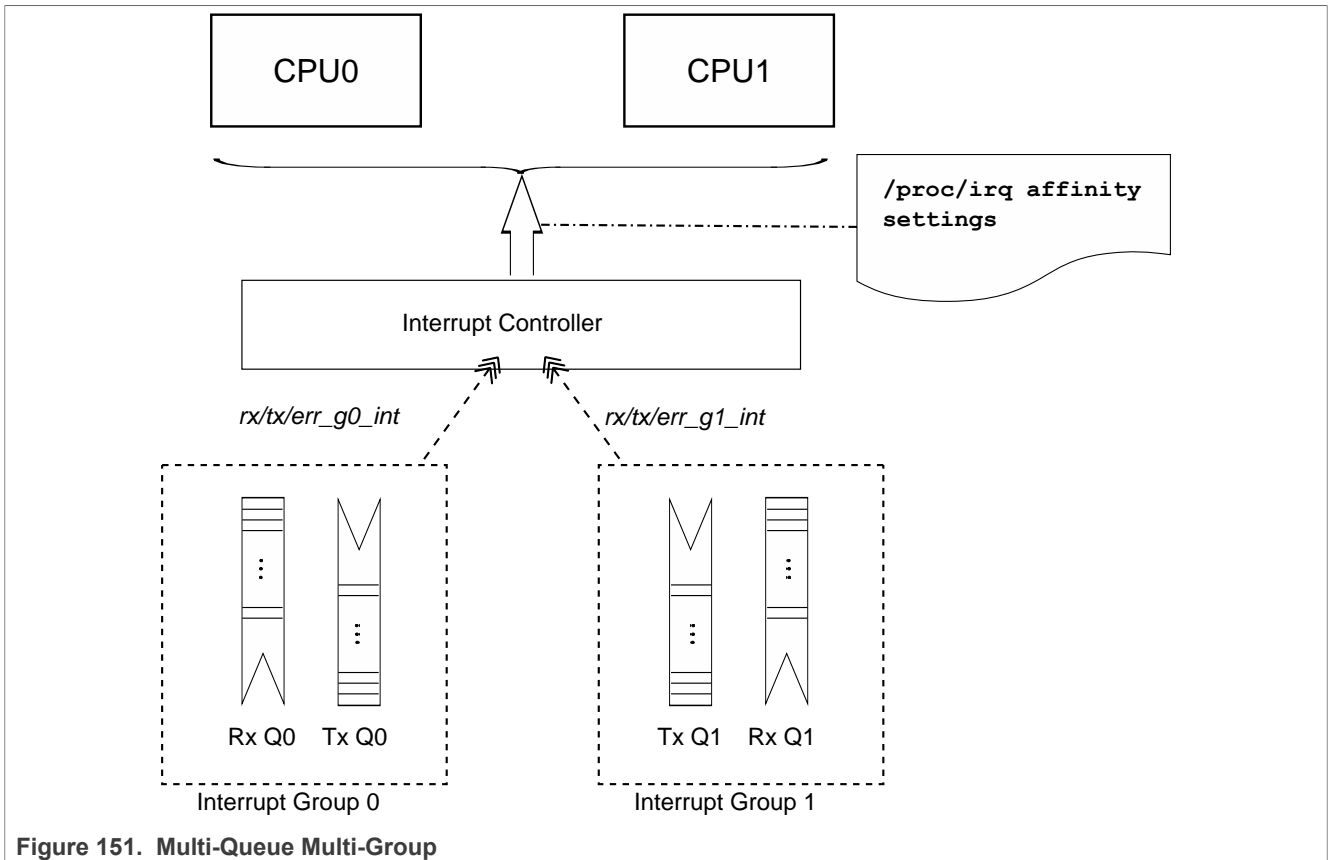


Figure 151. Multi-Queue Multi-Group

**Note:** Supporting more than one Rx/Tx queue per interrupt group has been obsoleted (see above). As a result, the following device tree properties are obsolete: `fsl,num-rx-queues`, `fsl,num-tx-queues`, `fsl,rx-bit-map`, and `fsl,tx-bit-map`.

### 7.5.1.2.2 Receive Side Scaling support

eTSEC supports multiple Rx and Tx descriptor queues (see [multi-queue support](#)). On reception, eTSEC can send different packets to different queues to distribute processing among CPUs. This mechanism is generally known as “Receive-side Scaling” (RSS).

In Gianfar, packets are distributed by applying "n-tuple" filters configured from `ethtool -N` (`--config-n-tuple` option). These filters are converted by Gianfar to eTSEC Filter H/W rules. Based on these programmable filters, each packet is assigned to one of a small number of logical flows. Packets for each flow are steered to separate receive queues, which in turn can be processed by separate CPUs.

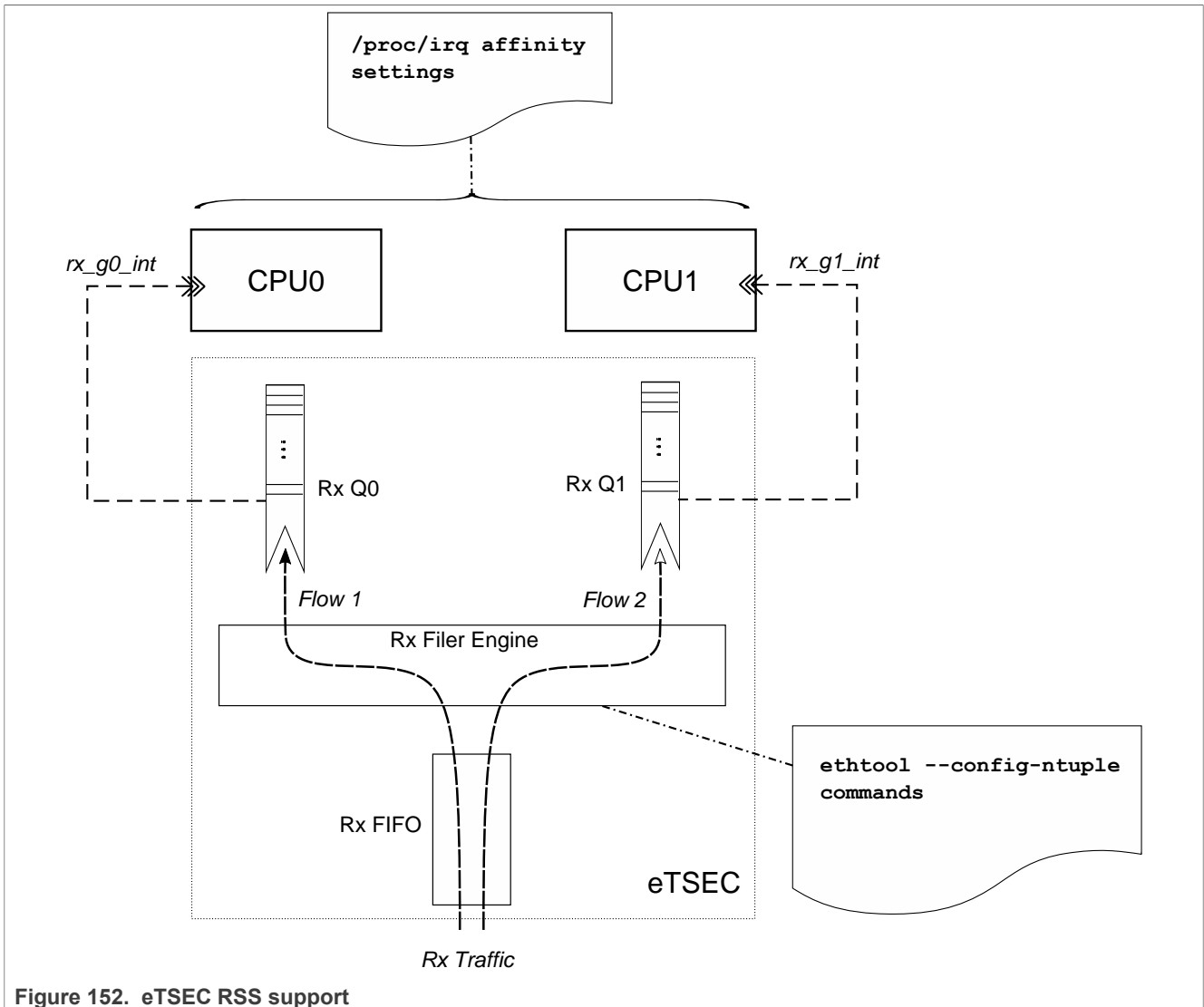


Figure 152. eTSEC RSS support

In Gianfar, Rx flows may be classified either by hashing various protocol header fields, see `ethtool -N rx-flow-hash` option, or by specifying flow type classification rules, see `ethtool -N flow-type` option. Refer to `ethtool` Linux man-pages for `ethtool -N` option details. A simple usage example is shown below.

```

root@ls1021aqds:~# ethtool -N eth0 flow-type udp4 src-ip 172.16.1.4 dst-port
5000 action 0
fsl-gianfar ethernet.4 eth0: Receive Queue Filtering enabled
Added rule with ID 254
root@ls1021aqds:~# ethtool -N eth0 flow-type udp4 src-ip 172.16.1.4 dst-port
5001 action 1
Added rule with ID 253
root@ls1021aqds:~# ethtool -n eth0
2 RX rings available
Total 2 rules
Filter: 253
 Rule Type: UDP over IPv4
 Src IP addr: 172.16.1.4 mask: 0.0.0.0
 Dest IP addr: 0.0.0.0 mask: 255.255.255.255
 TOS: 0x0 mask: 0xff
 Src port: 0 mask: 0xffff

```



```

Dest port: 5001 mask: 0x0
Action: Direct to queue 1
Filter: 254
Rule Type: UDP over IPv4
Src IP addr: 172.16.1.4 mask: 0.0.0.0
Dest IP addr: 0.0.0.0 mask: 255.255.255.255
TOS: 0x0 mask: 0xff
Src port: 0 mask: 0xffff
Dest port: 5000 mask: 0x0
Action: Direct to queue 0
root@ls1021aqds:~# iperf -s -u -p 5000 &
[1] 1017

Server listening on UDP port 5000
Receiving 1470 byte datagrams
UDP buffer size: 160 KByte (default)

root@ls1021aqds:~# iperf -s -u -p 5001 &
[2] 1020

Server listening on UDP port 5001
Receiving 1470 byte datagrams
UDP buffer size: 160 KByte (default)

root@ls1021aqds:~# cat /proc/interrupts | grep eth
176: 7 0 GIC 176 eth0_g0_tx
177: 6 0 GIC 177 eth0_g0_rx
178: 0 0 GIC 178 eth0_g0_er
179: 0 0 GIC 179 eth0_g1_tx
180: 0 0 GIC 180 eth0_g1_rx
181: 0 0 GIC 181 eth0_g1_er
[3] local 172.16.1.100 port 5000 connected with 172.16.1.4 port 52163
[ID] Interval Transfer Bandwidth Jitter Lost/Total Datagrams
[3] 0.0-10.0 sec 1.25 MBytes 1.05 Mbits/sec 0.003 ms 0/ 893 (0%)
root@ls1021aqds:~# cat /proc/interrupts | grep eth
176: 9 0 GIC 176 eth0_g0_tx
177: 902 0 GIC 177 eth0_g0_rx
178: 0 0 GIC 178 eth0_g0_er
179: 1 0 GIC 179 eth0_g1_tx
180: 0 0 GIC 180 eth0_g1_rx
181: 0 0 GIC 181 eth0_g1_er
[3] local 172.16.1.100 port 5001 connected with 172.16.1.4 port 46257
[ID] Interval Transfer Bandwidth Jitter Lost/Total Datagrams
[3] 0.0-10.0 sec 1.25 MBytes 1.05 Mbits/sec 0.004 ms 0/ 893 (0%)
root@ls1021aqds:~# cat /proc/interrupts | grep eth
176: 10 0 GIC 176 eth0_g0_tx
177: 902 0 GIC 177 eth0_g0_rx
178: 0 0 GIC 178 eth0_g0_er
179: 1 0 GIC 179 eth0_g1_tx
180: 894 0 GIC 180 eth0_g1_rx
181: 0 0 GIC 181 eth0_g1_er
root@ls1021aqds:~# echo 1 > /proc/irq/177/smp_affinity
root@ls1021aqds:~# echo 2 > /proc/irq/180/smp_affinity
root@ls1021aqds:~# iperf -s -u -p 1000 &
[3] 1031

Server listening on UDP port 1000
Receiving 1470 byte datagrams
UDP buffer size: 160 KByte (default)

```

```
[3] local 172.16.1.100 port 1000 connected with 172.16.1.4 port 58669
[ID] Interval Transfer Bandwidth Jitter Lost/Total Datagrams
[3] 0.0-10.0 sec 1.25 MBytes 1.05 Mb/s 0.002 ms 0/ 893 (0%)
root@ls1021aqds:~# cat /proc/interrupts | grep eth
176: 13 0 GIC 176 eth0_g0_tx
177: 1798 0 GIC 177 eth0_g0_rx
178: 0 0 GIC 178 eth0_g0_er
179: 1 0 GIC 179 eth0_g1_tx
180: 894 0 GIC 180 eth0_g1_rx
181: 0 0 GIC 181 eth0_g1_er
[4] local 172.16.1.100 port 5001 connected with 172.16.1.4 port 58876
[4] 0.0-10.0 sec 1.25 MBytes 1.05 Mb/s 0.004 ms 0/ 893 (0%)
root@ls1021aqds:~# cat /proc/interrupts | grep eth
176: 16 0 GIC 176 eth0_g0_tx
177: 1800 0 GIC 177 eth0_g0_rx
178: 0 0 GIC 178 eth0_g0_er
179: 1 0 GIC 179 eth0_g1_tx
180: 894 894 GIC 180 eth0_g1_rx
181: 0 0 GIC 181 eth0_g1_er
root@ls1021aqds:~# ethtool -n eth0
2 RX rings available
Total 2 rules
Filter: 253
 Rule Type: UDP over IPv4
 Src IP addr: 172.16.1.4 mask: 0.0.0.0
 Dest IP addr: 0.0.0.0 mask: 255.255.255.255
 TOS: 0x0 mask: 0xff
 Src port: 0 mask: 0xffff
 Dest port: 5001 mask: 0x0
 Action: Direct to queue 1
Filter: 254
 Rule Type: UDP over IPv4
 Src IP addr: 172.16.1.4 mask: 0.0.0.0
 Dest IP addr: 0.0.0.0 mask: 255.255.255.255
 TOS: 0x0 mask: 0xff
 Src port: 0 mask: 0xffff
 Dest port: 5000 mask: 0x0
 Action: Direct to queue 0
root@ls1021aqds:~# ethtool -N eth0 delete 254
root@ls1021aqds:~# ethtool -N eth0 delete 253
root@ls1021aqds:~# ethtool -n eth0
2 RX rings available
Total 0 rules
root@ls1021aqds:~#
```

**7.5.1.2.3 NAPI support**

Gianfar uses NAPI handling on both Rx and Tx paths, the Linux polling mechanism being triggered by frame receive interrupts and, respectively, frame transmit confirmation interrupts. The driver registers irqs for both Rx and Tx, and the NAPI (polling) handlers are provided to the Kernel.

On the receive path:

- When the receive interrupt gets triggered on a given CPU, a softirq for the polling function on Rx is scheduled.
- The RX\_SOFTIRQ thread is raised by the Kernel, on the CPU on which it was triggered (and scheduled), and the Rx queues mapped to the corresponding interrupt group will be processed by the driver's polling function and the incoming packets are being passed to the networking stack.

Similarly on the transmit part:

- A frame transmit confirmation interrupt triggers the scheduling of a softirq under whose context the driver's polling routine for cleaning the Tx rings is invoked.
- The Tx polling routine is also associated with a given interrupt group and it will handle only the transmit queues that are affiliated to that interrupt group.

For packet forwarding, for instance, by mapping the per flow Rx and Tx queues to interrupt groups that are associated to the same CPU, makes it possible to maintain per CPU buffer pools used for reclaiming buffers on a per flow basis, improving cache locality at the same time.

**7.5.1.2.4 Interrupt Coalescing**

On a high-speed network interface, the rate of packet reception and transmission can be as high as the CPUs would be spending most of the time servicing these interrupts. With the interrupt coalescing feature, packets are collected and one single interrupt is generated for multiple packets to avoid flooding the system with interrupts from the Ethernet device.

eTSEC supports hardware coalescing of interrupts for both receive and transmit, using packet-count-based thresholds, complemented by timer-based thresholds. Gianfar provides basic support for setting the coalescing parameters via `ethtool -C`, for each device instance, by implementing the following "set coalesce" options:

**Table 126.** `ethtool -C` options:

<code>rx-frames</code>	packet count threshold for receive (Rx)
<code>rx-usecs</code>	time threshold in micro seconds, for receive (Rx)
<code>tx-frames</code>	packet count threshold for transmit confirmation (Tx)
<code>tx-usecs</code>	time threshold in micro seconds, for transmit confirmation (Tx)

**7.5.1.2.5 Header Recognition and Csum Offload**

Header recognition on receive (feature provided by eTSEC), combined with parsing functions and/or hashing of extracted property fields (in case of eTSEC2.0), is used to implement advanced TCP/IP offloading functionality and QoS provisions by programming queue filing strategies into hardware.

Gianfar provides an API to program eTSEC's filer hardware block with packet filtering rules.

On Rx, the TCP/IP Offload Engine (TOE):

- can parse frames:
  - at layer 2 of the stack only (Ethernet headers and switching headers)
  - layers 2 to 3 (including IPv4 or IPv6)
  - layers 2 to 4 (including TCP and UDP)
- provides protocol header recognition
- provides header verification (IPv4 header checksum verification)
- provides TCP/UDP payload checksum verification including verification of associated pseudo-header checksums

For large frames, offload of checksum verification saves a significant fraction of the CPU cycles that would otherwise be spent by the TCP/IP stack. IP packet fragmentation and reassembly, and TCP stream establishment and tear-down are not performed in hardware.

On Tx side, TOE provides IPv4 and TCP/UDP header checksum generation. The eTSEC does not checksum transmitted packets with IPv6 routing headers or calculates TCP/UDP checksums from IP fragments. If a transmitted TCP segment requires checksum generation but IPv6 extension headers would prevent eTSEC from calculating the pseudoheader checksum, software can calculate just the pseudoheader checksum in advance and supply it to the eTSEC as part of per-frame TOE configuration.

On the Rx side, Gianfar lets the Kernel know that checksum verification is not required if valid IP headers or TCP/UDP headers were found and valid sums were verified, by setting the `CHECKSUM_UNNECESSARY` flag. On Tx side, the checksum is generated (offloaded) for TCP/UDP packets over IPv4 based on the pseudo-header checksum (*phcs*) provided by the Linux networking stack. Gianfar instructs the stack about its ability to provide partial checksumming, based on the *phcs* for TCP/UDP packets, by setting the `NETIF_F_IP_CSUM` device capability flag.

The Frame Control Blocks (FCBs) are 8-byte blocks of TOE control and/or status data that are passed between the driver and each eTSEC. An FCB always precedes the frame it applies to, and is present only when TOE functions are being used.

The first BD of each frame points to the initial data buffer and the FCB. Custom or received Ethernet preamble sequences also follow the FCB if preambles are visible.

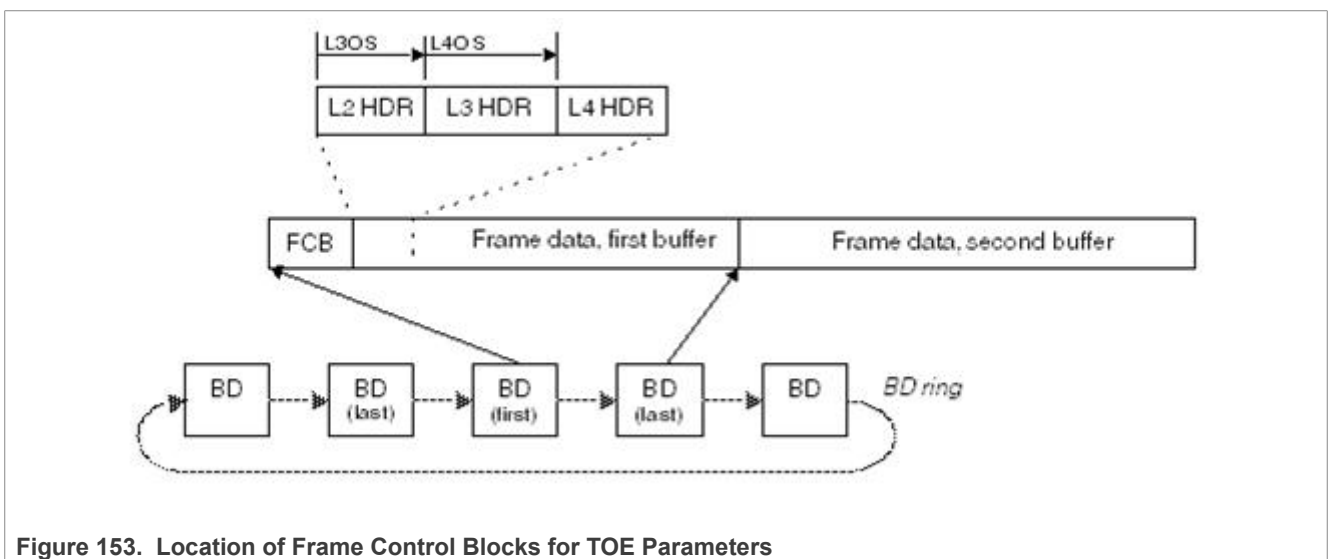


Figure 153. Location of Frame Control Blocks for TOE Parameters

For Tx, FCBs are inserted by Gianfar and TOE acceleration may be applied on a frame-by-frame basis. In the case of RxBD rings, the FCBs are inserted by eTSEC and TOE acceleration is enabled for receive for all frames in this case.

### 7.5.1.2.6 Scatter Gather Support

Scatter-Gather I/O is a method by which a single procedure call sequentially writes data from multiple buffers to a single data stream or reads data from a data stream to multiple buffers. The buffers are given in a vector of buffers. Scatter/gather refers to the process of gathering data from, or scattering data into, the given set of buffers. The I/O can be performed synchronously or asynchronously to this procedure.

On the Tx side, Gianfar supports "gathering" big packets from multiple buffers. This ability is signaled by the driver to the Linux network stack by setting the `NETIF_F_SG` device hardware feature flag. The driver takes into account the number of fragments composing the packet that is going to be transmitted, and places each fragment into consecutive BD ring buffers before issuing the command to start sending the frame.

On the Rx side, the eTSEC controller is capable of "scattering" big packets into multiple fixed size buffers having consecutive buffer descriptors (BDs). Gianfar supports this feature by implementing paged allocation, so that jumbo frames exceeding a fixed buffer size of 2048 bytes can be automatically received into multiple such buffers. Instead of pre-allocating huge memory buffers to be able to support jumbo frame reception, the paged allocation scheme implemented in Gianfar uses multiple half page sized buffers therefore reducing memory allocation pressure. The driver is also managing a local cache of memory pages, reusing free pages from the cache for future receptions, further improving Rx allocation overhead.

7.5.1.3 Configuration & Control

7.5.1.3.1 Device Tree initialization

Gianfar complies with the device tree (DTS) based open firmware support requirements, and supports multiple Ethernet device instances. The default configuration parameters that are passed via DTS for an Ethernet device instance (node) include:

1. `compatible` and `model` fields defining the driver compatibility across multiple controller H/W IP generations:

Table 127. Gianfar compatibility

Device type (IP):	<code>.compatible</code>	<code>.model</code>
eTSEC2.0 (veTSEC)	"fsl,etsec2"	"eTSEC"
eTSEC (eTSEC1.x)	"gianfar"	"eTSEC"
TSEC	"gianfar"	"TSEC"
FEC	"gianfar"	"FEC"

2. Interrupt grouping of multiple queues, for eTSEC2.0: `queue-group` subnode, including:
  - Interrupt numbers assignment for the Rx, Tx and Error lines, `interrupts` property;
  - Interrupt group register block address and size, `reg` property;
3. Power management capability properties:
  - `fsl,magic-packet`: If present, indicates that the hardware supports waking up via magic packet;
  - `fsl,wake-on-filer`: If present, indicates that the hardware supports waking up by Filer General Purpose Interrupt (FGPI) asserted on the Rx int line. This is an advanced power management capability allowing certain packet types (user) defined by filer rules to wake up the system.
4. For older DTs, number of supported TX and RX queues: `fsl,num-rx-queues` and `fsl,num-tx-queues`; *[obsolete]*
5. Various link management properties.

Typical eTSEC2.0 device tree node (LS1021a example):

```
enet0: ethernet@2d10000 {
 compatible = "fsl,etsec2";
 device_type = "network";
 #address-cells = <2>;
 #size-cells = <2>;
 interrupt-parent = <&gic>;
 model = "eTSEC";
 fsl,magic-packet;
 fsl,wake-on-filer;
 queue-group@2d10000 {
 #address-cells = <2>;
 #size-cells = <2>;
 reg = <0x0 0x2d10000 0x0 0x1000>;
 interrupts = <GIC_SPI 144 IRQ_TYPE_LEVEL_HIGH>,
 <GIC_SPI 145 IRQ_TYPE_LEVEL_HIGH>,
 <GIC_SPI 146 IRQ_TYPE_LEVEL_HIGH>;
 };
 queue-group@2d14000 {
 #address-cells = <2>;
 #size-cells = <2>;
 reg = <0x0 0x2d14000 0x0 0x1000>;
 interrupts = <GIC_SPI 147 IRQ_TYPE_LEVEL_HIGH>,
 };
};
```

```
<GIC_SPI 148 IRQ_TYPE_LEVEL_HIGH>,
<GIC_SPI 149 IRQ_TYPE_LEVEL_HIGH>;
};
};
```

7.5.1.3.2 Ethtool support

Table 128. Non-exhaustive list of the most notable *ethtool* commands implemented by Gianfar:

Commands		Description
ethtool -C	rx-usecs N rx-frames N tx-usecs N tx-frames N	Set interrupt coalescing for a given device, packet count ('frames') and time in microseconds ('usecs') thresholds, for Rx and resp. Tx.
ethtool -G	rx N tx N	Set RxBD ring, resp. TxBD ring sizes for a given device.
ethtool -K	rxvlan on off txvlan on off	Turn on/off H/W VLAN tag extraction(rx) / insertion(tx).
ethtool -S		Show interface statistics, Linux-specific counters, and various eTSEC H/W counters supporting RMON MIB group 1, group 2 (ifTable counters), group 3, group 9, RMON MIB 2, and the 802.3 Ethernet MIB statistics.
ethtool -N	rx-flow-hash tcp4 udp4 tcp6 udp6 v t s d f n	Configure Rx network flow classification options. The classified flows may be tcp/udp over ipv4/v6, and the hashing may be performed on various header fields, according to the third parameter: <ul style="list-style-type: none"> <li>s,d: src/dest IP addresses;</li> <li>v: VLAN id;</li> <li>t: L3 PROTO field,</li> <li>f,n: source and dest TCP/UDP ports.</li> </ul>
ethtool -N	flow-type ether ip4 tcp4 udp4 sctp4	Inserts or updates a classification rule for the specified flow type. Most IPv4 flow types are supported: raw IPv4, TCP, UDP, SCTP, as well as L2 flow specifications (ether). For a detailed description of the command suboptions refer to ethtool Linux man-pages.

**Note:** For detailed description of *ethtool* command options, refer to *ethtool* Linux man-pages.

7.6 ENETC Ethernet and Felix switch drivers

7.6.1 LS1028A interface naming

This section describes the association between the physical interfaces and networking interfaces as presented by software.

7.6.1.1 LS1028A interface naming in U-Boot

The following figure shows the Ethernet ports as presented in U-Boot. Note that not all ports are available.

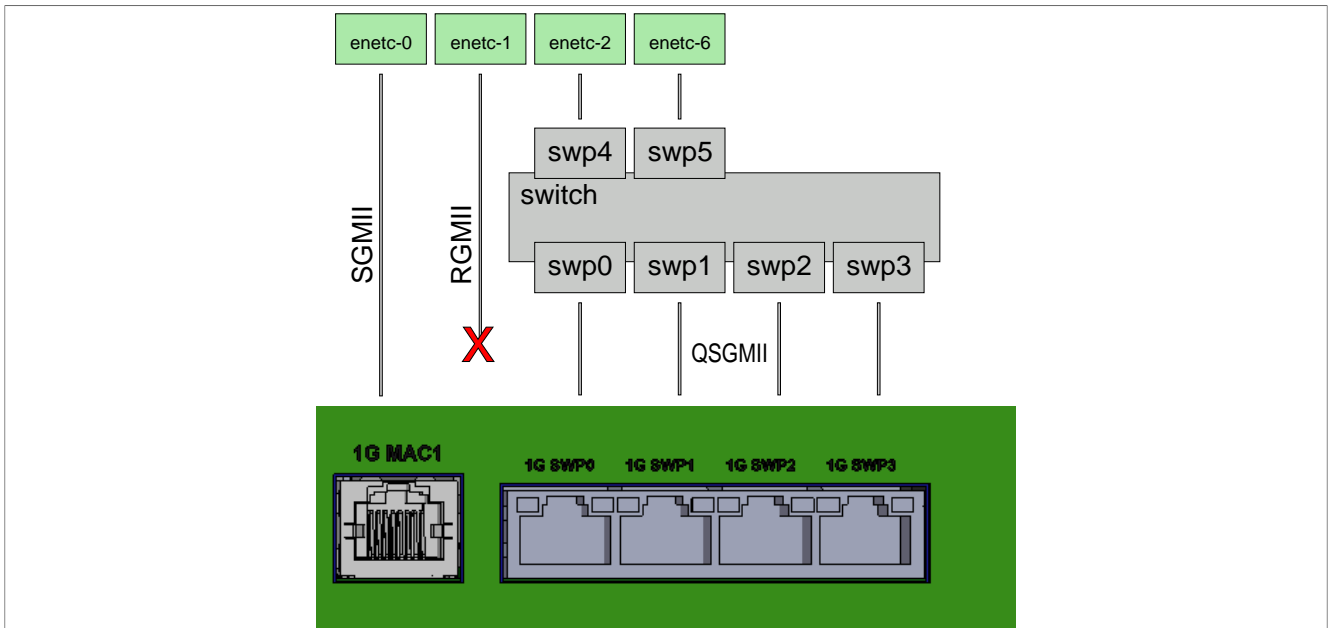


Figure 154. U-Boot network interfaces on LS1028ARDB

LS1028ARDB port	U-Boot interface	PCIe function	Comments
1G MAC1	<i>enetc-0</i>	0000:00:00.0	
N/A	<i>enetc-1</i>	0000:00:00.1	<i>enetc#1</i> is presented in U-Boot on all boards. This interface is not functional on LS1028ARDB.
Internal	<i>enetc-2</i>	0000:00:00.2	Connected internally (MAC to MAC) to the Ethernet switch. This interface can be used to access remote hosts connected to switch ports.
Internal	<i>enetc-6</i>	0000:00:00.6	Connected internally (MAC to MAC) to the Ethernet switch. This interface is present if bit 851 is set in RCW.
1G SWP0 to 1G SWP3	swp0, swp1, swp2, swp3	0000:00:00.5	These switch ports can be used in U-Boot to access remote hosts (through <i>enetc#2</i> ) and to switch between external ports.

### 7.6.1.2 LS1028A interface naming in Linux

The following figure shows how Ethernet ports are presented in Linux.

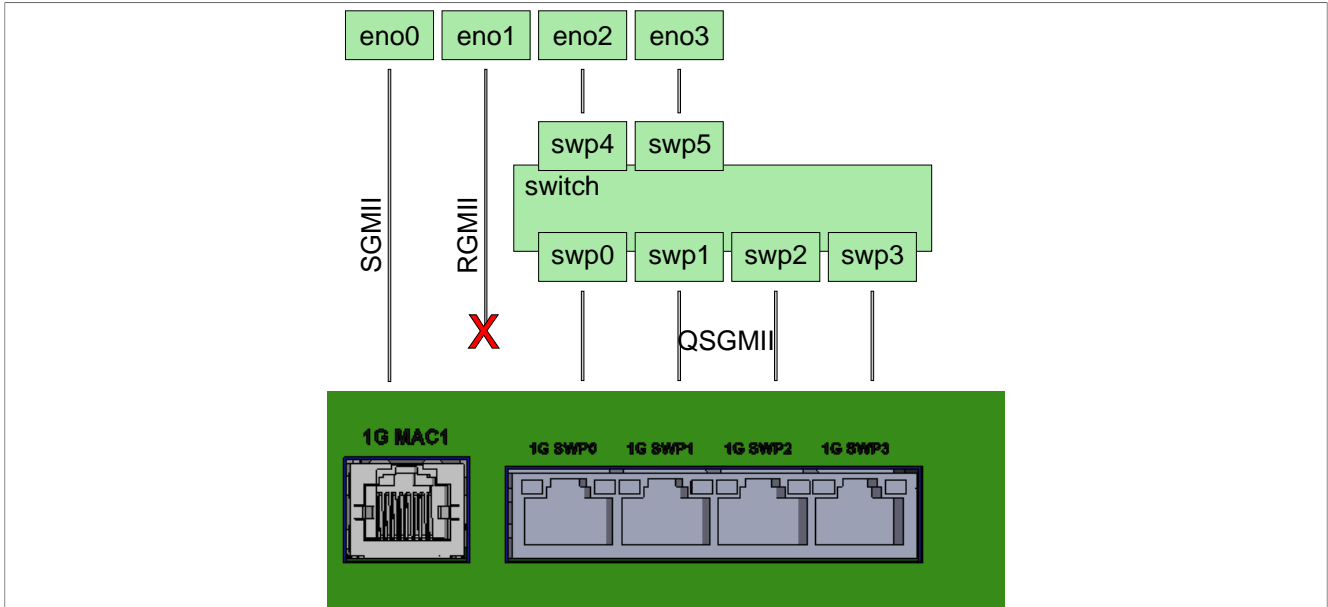


Figure 155. Linux network interfaces on LS1028ARDB

LS1028ARDB port	Linux netdev	PCIe function	Comments
<b>1G MAC1</b>	<b>eno0</b>	0000:00:00.0	
N/A	<b>eno1</b>	0000:00:00.1	RGMII interface is not present on LS1028ARDB board and the associated ENETC interface is disabled in device tree: <pre>&amp;enetc_port1 {     status = "disabled"; };</pre>
Internal	<b>eno2</b>	0000:00:00.2	Connected internally (MAC to MAC) to <b>swp4</b> . This is used to carry traffic between the switch and the software running on Arm cores.
Internal	<b>eno3</b>	0000:00:00.6	Connected internally (MAC to MAC) to <b>swp5</b> . This is used to carry switch controlled traffic between the switch and the Linux bridge. This interface is present if bit 851 is set in RCW.
<b>1G SWP0 to 1G SWP3</b>	<b>swp0 to swp3</b>	0000:00:00.5	By default, switching is not enabled on these ports. For detail on how to enable switching across these ports, see <a href="#">Felix Ethernet switch</a> .
Internal	<b>swp4</b>		Connected internally (MAC to MAC) to <b>eno2</b> .



LS1028ARDB port	Linux netdev	PCIe function	Comments
Internal	<b>swp5</b>		Connected internally (MAC to MAC) to eno3.

## 7.6.2 ENETC Linux Ethernet driver

### 7.6.2.1 Introduction

ENETC is a four-port virtualized Ethernet controller supporting gigabit Ethernet (GbE) designs and time-sensitive networking (TSN) functionality.

ENETC offers fully integrated GbE media access controllers (MACs). It supports preemption and various offload functions for protocols including IP, TCP, and UDP while maintaining wire speed on all interfaces.

Operating as a single root input/output virtualization (SR-IOV) multi-PF (physical function) capable root complex integrated device, ENETC is discoverable by standard PCI Express.

This section provides operational details for the core ENETC Linux Ethernet driver and supported features. The precision time protocol (PTP) and time sensitive networking (TSN) extensions are covered in separate sections.

**Note:** For additional information, refer to LS1028A Reference Manual at [nxp.com](http://nxp.com).

#### 7.6.2.1.1 Acronyms, abbreviations, and terms

The table below lists and explains the acronyms, abbreviations, and terms used in this document.

Table 129. Acronyms, abbreviations, and terms

Term	Definition
ENETC	The whole integrated Ethernet controller with multiple physical Ethernet ports (or MACs) and PCIe endpoints.
ENETC port, or port	The ENETC hardware device that controls a single physical Ethernet port (or MAC). Same as ENETC PF, however, when used the focus of the term is on the underlying hardware resources, such as the physical Ethernet port, and not necessarily on the PF Linux networking device. Also, an ENETC port includes all underlying ENETC VF hardware resources (if existing).
ENETC PF, or PF	PF stands for PCIe physical function. This is the Linux network device, exposed as a PCIe endpoint device, the interface through which Linux manages an ENETC Port. Sometimes interchangeably used with ENETC port.
ENETC VF, or VF	VF stands for PCIe virtual function. This is the Linux network device, exposed as a PCIe endpoint device, that is associated to an ENETC PF device. Shares the same Ethernet link with the managing PF device. The PF can enable/disable the underlying VF devices.
PCIe	See PCI Express standard specification.
SR-IOV	See Single Root I/O Virtualization PCIe specification.

### 7.6.2.2 Linux kernel configuration items

This section explains how to identify the ENETC driver modules, corresponding kernel configuration options, and associated device tree nodes.

#### 7.6.2.2.1 Driver modules and dependencies

The following table describes the Ethernet driver modules and related dependencies.

**Table 130. Driver modules and dependencies**

Module	Runtime dependency	Description
fsl-enetc.ko	fsl-enetc-mdio.ko	ENETC physical function (PF) Ethernet driver
fsl-enetc-vf.ko	fsl-enetc-mdio.ko	ENETC virtual function (VF) Ethernet driver
fsl-enetc-mdio.ko	-	ENETC central MDIO controller (PCIe PF 3)

### 7.6.2.2.2 Kernel configuration options

The kernel configuration tree view for enabling the ENETC PF and VF driver modules via `make menuconfig` is as follows:

```
Device Drivers --->
 [*] Network device support --->
 [*] Ethernet driver support --->
[*] Freescale devices
 <*> ENETC PF driver
 <*> ENETC VF driver
```

**Table 131. Driver kernel config options**

Option	Values	Modules
CONFIG_FSL_ENETC	y/m/n	fsl-enetc.ko
CONFIG_FSL_ENETC_VF	y/m/n	fsl-enetc-vf.ko
CONFIG_FSL_ENETC_MDIO	y/m/n	fsl-enetc-mdio.ko

### 7.6.2.2.3 Device tree nodes

The ENETC drivers are **PCIe device drivers**, and the ENETC PCI root complex integrated endpoint (RCIE) is described through the following PCIe device tree node:

```
pcie@1f0000000 {/* Integrated Endpoint Root Complex */
 compatible = "pci-host-ecam-generic";
 reg = <0x01 0xf0000000 0x0 0x100000>;
 #address-cells = <3>;
 #size-cells = <2>;
 msi-parent = <&its>;
 device_type = "pci";
 bus-range = <0x0 0x0>;
 dma-coherent;
 msi-map = <0 &its ...>;
 iommu-map = <0 &smmu ...>;
 ranges = <...>
 /* PF0-6, BAR0 - non-prefetchable memory */
 /* PF0-6, BAR2 - prefetchable memory */
 /* PF0, VF-BAR0 - non-prefetchable memory */
 /* PF0, VF-BAR2 - prefetchable memory */
 /* PF1, VF-BAR0 - non-prefetchable memory*/
 /* PF1, VF-BAR1 - prefetchable memory */
 [...]
 enetc_port0: ethernet@0,0 {
 compatible = "fsl,enetc";
 reg = <0x000000 0 0 0 0>;
 };
 enetc_port1: ethernet@0,1 {
```

```

compatible = "fsl,enetc";
reg = <0x000100 0 0 0 0>;
};
enetc_mdio_pf3: mdio@0,3 {
compatible = "fsl,enetc-mdio";
reg = <0x000300 0 0 0 0>;
#address-cells = <1>;
#size-cells = <0>;
};
enetc_port2: ethernet@0,2 {
compatible = "fsl,enetc";
reg = <0x000200 0 0 0 0>;
fixed-link {[...]};
};
[...]
enetc_port3: ethernet@0,6 {
compatible = "fsl,enetc";
reg = <0x000600 0 0 0 0>;
status = "disabled";
fixed-link {[...]};
};
};

```

For device tree binding definitions of the ENETC nodes, refer to kernel document:

```
Documentation/devicetree/bindings/net/fsl-enetc.txt
```

**7.6.2.2.4 Source files**

The following table describes the ENETC and ENETC MDIO driver sources.

**Table 132. Source files**

Source file	Description
enetc_pf.c, enetc_pf.h	ENETC PF driver, ENETC PSI, and Port-specific code
enetc_vf.c	ENETC VF driver, ENETC VSI-specific code
enetc.c, enetc.h	Packet processing and other PF and VF common logic
enetc_hw.h	ENETC hardware specific defines (reg offsets, BDR structs, and so on)
enetc_ethtool.c	ethtool support
enetc_cbdr.c	ENETC control buffer descriptor ring support
enetc_msg.c	ENETC VF-PF messaging support
include/linux/fsl/enetc_mdio.h, enetc_mdio.c, enetc_pci_mdio.c	ENETC MDIO driver. Provides PHY level services to the ENETC driver. It can also be shared with other integrated IPs that use the same MDIO support.
enetc_ptp.c, enetc_qos.c, enetc_tsn.c	Hardware timestamping (PTP) and TSN related support.

**7.6.2.3 Linux runtime usage**

Overview of the major ENETC driver features and related usage instructions:

### 7.6.2.3.1 ENETC interfaces and probing

The following table lists supported ENETC interfaces. It describes the PCIe PF ID along with the interface type information as well as the number of supported VF devices for each ENETC port.

Table 133. PCIe PF endpoint IDs of ENETC ports

Ethernet ports	PCIe PF ID	Interface type	Number of supported VFs
Port 0	0	External - SGMII/USXGMII (10/100/1G/2.5 Gbit/s)	2
Port 1	1	External - RGMII (10/100/1 Gbit/s)	2
Port 2	2	Internal - Ethernet Switch @ 2.5 Gbit/s	n/a
Port 3	6	Internal - Ethernet Switch @ 1 Gbit/s	n/a

Successful probing of ENETC ports (if enabled) is met by the following boot log message:

```
fsl_enetc 0000:00:00.0 eth0: ENETC PF driver v1.0
```

**Example** - probing of ENETC PFs on the LS1028ARDB board:

```
fsl_enetc 0000:00:00.0: enabling device (0400 -> 0402)
fsl_enetc 0000:00:00.0 eth0: ENETC PF driver v1.0
[...]
fsl_enetc 0000:00:00.1: device is disabled, skipping
[...]
fsl_enetc 0000:00:00.2: enabling device (0400 -> 0402)
fsl_enetc 0000:00:00.2 eth1: ENETC PF driver v1.0
[...]
fsl_enetc 0000:00:00.6: device is disabled, skipping
```

Upon successful probing, each ENETC port (PF) will have a network device interface attached. A `udev` script should trigger at this point to apply networking interface renaming rules for the ENETC interfaces, changing the name from generic `ethX` format to `enoX` format. The new name format should help to identify the physical ENETC interfaces easily on the board, as detailed in the [Section 7.6.1](#).

**Example** – Renaming of the ENETC Port0 interface:

```
fsl_enetc 0000:00:00.0 eth126: renamed from eth0
udev[396]: renamed network interface eth0 to eth126
fsl_enetc 0000:00:00.0 eno0: renamed from eth126
udev[396]: renamed network interface eth126 to eno0
```

Probing of VF devices is achieved by requesting a given number of VFs (at least one) from a given PF device, by setting `sriov_numvfs` via the PCI `sysfs` interface.

**Note:** An ENETC VF is a separate network device that can be independently assigned to a virtualization context. For instance, in a system setup consisting of a Host Linux machine running a Guest Linux in a Virtual Machine (VM), one can assign a VF to the VM while the Host Linux includes the corresponding PF device. This is a typical scenario targeted by the SR-IOV specification, where the VF provides hardware level fast networking data path to the Guest Linux (that is, packet I/O) while insuring proper networking device isolation and secure access rights for the VM.

**Example** - Probing ENETC VF0 of PF0 (Port0):

```
echo 1 > /sys/bus/pci/devices/0000\:00\:00.0/sriov_numvfs
fsl_enetc_vf 0000:00:01.0: enabling device (0000 -> 0002)
```

```
fsl_enetc_vf 0000:00:01.0 eth1: ENETC VF driver v1.0
```

The `udev` script triggers in this case too, renaming the ENETC VF interface to the friendly format established for ENETC VF interfaces in the [Section 7.6.1](#).

**Example – Renaming of VF0 interface of PF0:**

```
fsl_enetc_vf 0000:00:01.0 eth112: renamed from eth1
udev[1678]: renamed network interface eth1 to eth112
fsl_enetc_vf 0000:00:01.0 eno0vf0: renamed from eth112
udev[1678]: renamed network interface eth112 to eno0vf0
```

**7.6.2.3.2 Multi-queue support**

The ENETC hardware features multiple Rx and Tx buffer descriptor rings for each ENETC port. For the ports that have associated VFs, the rings are assignable between the PF and the VFs. Each ring in turn is also assigned to an MSIX interrupt vector affined to a separate CPU.

**Table 134. Ring assignment for each ENETC Port**

ENETC port	Total available h/w rings	PF netdev queues	VF0 netdev queues	VF1 netdev queues
Port 0	16 Rx / 16 Tx	2 Rx / 8 Tx	2 Rx / 4 Tx	2 Rx / 4 Tx
Port 1	16 Rx / 16 Tx	2 Rx / 8 Tx	2 Rx / 4 Tx	2 Rx / 4 Tx
Port 2	8 Rx / 8 Tx	2 Rx / 8 Tx	-	-
Port 3	8 Rx / 8 Tx	2 Rx / 8 Tx	-	-

Each ring enabled in the ENETC driver is assigned to a kernel net device queue. Each PF and VF are assigned to a netdevice interface owning the above Rx and Tx queues.

**Note:** Only two Rx queues are currently used per netdevice since LS1028A has only two CPUs. By default, even queues are assigned to CPU0 (MSIX interrupt vector 0) and odd queues to CPU1 (MSIX interrupt vector 1).

**7.6.2.3.3 Rx checksum offload**

ENETC can extract the “Internet checksum” (L3) for each received packet, calculated over the L2 payload (the entire L3 packet) that does not include the L2 header nor FCS.

The ENETC driver forwards the hardware computed checksum for each received packet (regardless of packet type) to the Linux networking stack as a “CHECKSUM\_COMPLETE” checksum type, which is the most generic way of computing checksum by a hardware device. Being protocol independent this checksum type can be reused by the Linux stack in the most generic way, so that it can be employed by the stack to derive checksum computation for a wide variety of protocols, including encapsulated protocols.

Rx checksum offload is enabled by default in the ENETC driver. However, it can also be switched off/on (for testing purposes) via `ethtool -K rx on|off` command.

**Example – Checking the Rx checksum offload status:**

```
ethtool -k eno0 | grep checksum | grep rx
rx-checksumming: on
```

7.6.2.3.4 Unicast and multicast MAC filtering

Filtering of unicast and multicast destination MAC (L2) addresses for incoming packets is enabled in the ENETC driver, for every ENETC port. This means that the ENETC driver can receive packets that not only match the primary MAC address of that port but also packets that match the unicast and multicast MAC addresses programmed into the filters for each PF netdevice, without the need to set the interface into promiscuous mode. Packets that do not match the filters (nor the primary MAC address) will be dropped at hardware level, therefore, greatly reducing the system load caused by the reception of unwanted packets that would have occurred with the interface in promiscuous mode.

There are numerous use cases by which the Linux stack assigns multiple unicast and multicast MAC addresses to a physical Ethernet port. For instance, configuring multiple Linux macvlan virtual interfaces on top of a given ENETC PF interface, each macvlan interface having its own unicast MAC address. Multiple multicast MAC addresses can be added to the same netdevice interface by simply invoking the `ip maddr add` command.

The ENETC hardware filters however rely on 64-bit hash tables, so false positives are possible. For unicast addresses, there is a possibility to have exact match entries, however, their numbers are very limited (less than eight per port, some of these being reserved). Once the number of available exact match entries is exceeded, the unicast exact match filter is converted into a 64-bit hardware hash table filter as well.

7.6.2.3.5 VLAN filtering

The ENETC driver supports VLAN C-TAG filtering for PF instances. This feature is supported by a 64-bit hash table for each port, used to match against hashed VLAN IDs. The VLAN ID to be matched is hashed into a 6-bit index which in turn is used to access a bit in the VLAN hash table. If the corresponding bit is set to one, then this is considered a successful match. In this regard, the hardware VLAN ID filter is “imperfect” and false positive matches are possible, so the networking stack needs to do further filtering to ensure that only frames with the tag of interest are accepted.

The VLAN C-TAG filtering feature (offload) described above is enabled by default in the ENETC driver, and is always on, For example:

```
ethtool -k eno0 | grep vlan | grep filter
rx-vlan-filter: on [fixed]
rx-vlan-stag-filter: off [fixed]
```

7.6.2.3.6 VLAN insertion/ extraction

VLAN C-Tag insertion and extraction are supported based on the ENETC hardware’s ability to parse packets and identify, extract, or insert IEEE 802.1Q VLAN tags, but also C-Tags for stacked VLAN packets (IEEE 802.1ad, “Q-in-Q”).

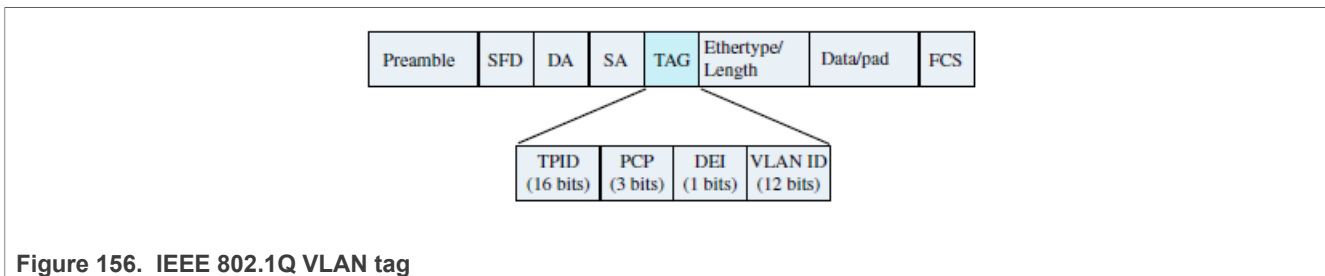


Figure 156. IEEE 802.1Q VLAN tag

This feature (offload) is also enabled by default in the ENETC driver and can be switched on/off by `ethtool -K rxvlan|txvlan on|off` commands.

Examples:

- Enabling VLAN tag extraction (rxvlan) and insertion (txvlan) for eno0 (PF0):

```
ethtool -K eno0 rxvlan on txvlan on
```

- Checking VLAN offload status:

```
ethtool -k eno0 | grep vlan
rx-vlan-offload: on
tx-vlan-offload: on
[...]
```

### 7.6.2.3.7 Scatter-gather and jumbo frame support

Scatter-gather (S/G) of Ethernet frames is supported by the ENETC driver on both Rx and Tx paths.

On Rx, ENETC can receive Ethernet frames with a payload bigger than the standard 1500 bytes (jumbo frames). Frames of up to 9600 bytes (including L2 header and FCS) can be broken up into multiple buffers and forwarded to the Linux networking stack for processing.

Similarly, on Tx, the MAC can transmit Ethernet frames of up to 9600 bytes spanning multiple buffers. The scatter-gather support is enabled by default in the driver. However, on Tx, since the networking stack controls buffer allocation, this option can be switched off / on via the `ethtool -K tx-scatter-gather` command.

**Example:** Checking the status of Tx S/G support (offload):

```
ethtool -k eno0 | grep scatter-gather
scatter-gather: on
tx-scatter-gather: on
tx-scatter-gather-fraglist: off [fixed]
```

The maximum L2 payload size on Tx is controlled by the MTU setting, which defaults to 1500 bytes. The MTU of an ENETC netdevice interface (both PF and VF) can be increased to up to (9600 – L2 header size – FCS size) bytes.

**Example:** Increasing MTU for an ENETC netdevice interface:

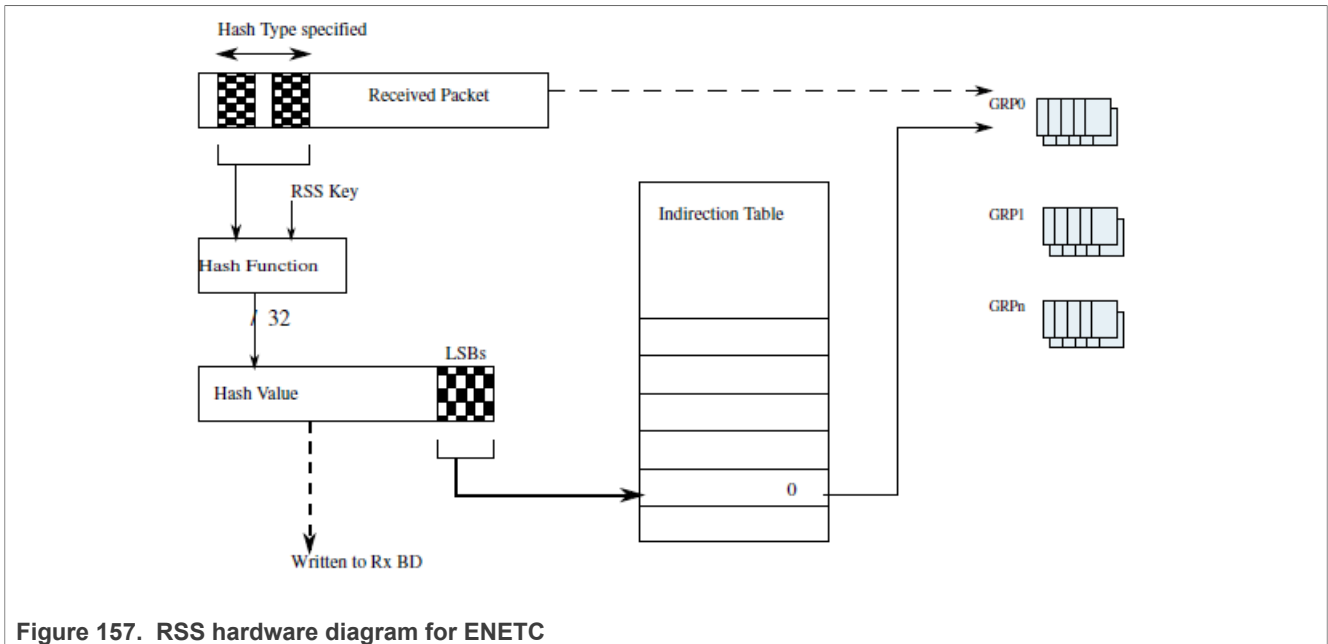
```
ip link set eno0 mtu 8000
```

While not recommended under traffic, updating the MTU with the interfaces up is allowed.

### 7.6.2.3.8 Rx flow hashing (RSS)

The ENETC hardware receive side scaling (RSS) feature is utilized in order to balance workloads among cores and provides a method to select various Rx queues upon reception of a packet. Each queue or queue group is then assigned to a different processor. RSS helps improve system performance by reducing processing delays by distributing packets across multiple cores, reducing spin lock overhead by increasing probability that software sharing data execute on the same core and reducing reloading of caches by increasing probability that software share data on the same core.

The hardware support for RSS may be summarized by the following high-level diagram:



Hashing is done based on the Toeplitz hash function that requires a 40B random secret key as well as the relevant pieces of the packet header (n-tuple). All 40B of the random keys are used for IPv6 packets while only 16B are used for IPv4 packets. The packet type decides which fields are to be used to build the hash as described in the following list.

- IPv4 with TCP [4-tuple]: Concatenates source IPv4 address, destination IPv4 address, source TCP port, and destination TCP port
- IPv4 with UDP [4-tuple]: Concatenates source IPv4 address, destination IPv4 address, source UDP port, and destination UDP port
- IPv4 [2-tuple]: Concatenates source IPv4 address and destination IPv4 address
- IPv6 with TCP [4-tuple]: Concatenates source IPv6 address, destination IPv6 address, source TCP port, and destination TCP port
- IPv6 with UDP [4-tuple]: Concatenates source IPv6 address, destination IPv6 address, source UDP port, and destination UDP port

The supported hashing fields for each flow type can also be verified at runtime via the `ethtool -n rx-flow-hash` command.

**Example** – Displaying supported hashing fields for different flows (for example, tcp4):

```
ethtool -n eno0 rx-flow-hash tcp4
TCP over IPV4 flows use these fields for computing Hash flow key:
L2DA
VLAN tag
L3 proto
IP SA
IP DA
L4 bytes 0 & 1 [TCP/UDP src port]
L4 bytes 2 & 3 [TCP/UDP dst port]
```

**Example** – Displaying hashing function information including secret hash key:

```
ethtool -x eno2
RX flow hash indirection table for eno2 with 2 RX ring(s):
0: 0 0 1 0 1 0 1 0 1
8: 0 1 0 1 0 1 0 1
16: 0 1 0 1 0 1 0 1
```



```

24: 0 1 0 1 0 1 0 1
32: 0 1 0 1 0 1 0 1
40: 0 1 0 1 0 1 0 1
48: 0 1 0 1 0 1 0 1
56: 0 1 0 1 0 1 0 1
RSS hash key:
1a:8c:6c:16:24:7f:f4:63:94:71:6a:b4:76:a3:3c:22:19:a9:17:36:93:83:eb:06:f6:c9:d3:ca:09:ce:1c:1d:f7:06:71:57:05:ea:39:45
RSS hash function:
toeplitz: on
xor: off
crc32: off

```

The RSS hash key and indirection table may be changed by the `ethtool -X` command.

The RSS hashing feature (hardware offload) can be enabled/disabled via `ethtool -K`.

**Example – Enabling/disabling RSS:**

```

ethtool -K eno0 rxhash on
Checking RSS status:
ethtool -k eno2 | grep hashing
receive-hashing: on

```

**7.6.2.3.9 Rx flow steering (RFS)**

Receive flow steering (RFS) is utilized to improve data locality essentially by steering packets of a given flow to the core where the application thread consuming the flow is running. This mechanism relies on the availability of multiple h/w rings onto which to direct flows, and the ability to affine the rings to different CPUs (see, “[Multi-queue support](#)” section).

On the LS1028A SoC, the ENETC driver assigns by default one Rx queue to each CPU, so that Rx queue 0 is assigned to CPU#0 and Rx queue 1 to CPU#1. The Rx flows are steered based on flow classification rules, specified via the `ethtool -N flow-type` tool.

**Example – Steering packets based on IPv4 destination address:**

```

// packets w/ dest ip addr 192.168.0.1 to queue 0, 192.168.1.1 to queue 1
ethtool -N eno0 flow-type ip4 dst-ip 192.168.0.1 action 0
Added rule with ID 15
ethtool -N eno1 flow-type ip4 dst-ip 192.168.1.1 action 1
Added rule with ID 15
// verifying the rules
ethtool -n eno0
2 RX rings available
Total 1 rules
Filter: 15
 Rule Type: Raw IPv4
 Src IP addr: 0.0.0.0 mask: 255.255.255.255
 Dest IP addr: 192.168.1.2 mask: 0.0.0.0
 TOS: 0x0 mask: 0xff
 Protocol: 0 mask: 0xff
 L4 bytes: 0x0 mask: 0xffffffff
 Action: Direct to VF 0 queue 0
// there's also the option to delete rules
ethtool -N eno0 delete 15

```

The ENETC driver supports most of the IPv4 flow types, including: raw IPv4, TCP, UDP, SCTP, as well as L2 flow specifications (ether):

**Table 135. ethtool**

<code>ethtool -N</code>	<code>flow-type ether ip4 tcp4 udp4 sctp4</code>
-------------------------	--------------------------------------------------

Classes of flows can be specified for all the supported flow types above by means of the mask attribute.

**Example** – Steering a class of IPv4 destination addresses from the same subnet:

```
// steer packets for subnet 192.168.0.* to queue 0
ethtool -N eno0 flow-type ip4 dst-ip 192.168.0.0 m 255.255.255.0 action 0
Added rule with ID 15
ethtool -n eno0
2 RX rings available
Total 1 rules
Filter: 15
 Rule Type: Raw IPv4
 Src IP addr: 0.0.0.0 mask: 255.255.255.255
 Dest IP addr: 192.168.1.0 mask: 255.255.255.0
 TOS: 0x0 mask: 0xff
 Protocol: 0 mask: 0xff
 L4 bytes: 0x0 mask: 0xffffffff
 Action: Direct to VF 0 queue 0
```

For further details on `ethtool -N` command options, refer to *ethtool Linux man-pages*.

#### 7.6.2.3.10 QoS – TC offloading with h/w MQPRIO

According to the Linux man pages for the `tc` command (`iproute2` package), the MQPRIO qdisc – “Multiqueue Priority Qdisc (Offloaded Hardware QOS)” - is “a simple queuing discipline (qdisc) that allows mapping traffic flows to hardware queue ranges using priorities and a configurable priority to traffic class mapping. A traffic class in this context is a set of contiguous qdisc classes which map 1:1 to a set of hardware exposed queues.

Consequently, the ENETC hardware can prioritize the Tx rings (queues) assigned to any ENETC device (that is, any PF or VF device) by associating a strict priority to each ring from the lowest priority class which is 0 (default value) to the highest one which is 7. The prioritization request is passed down from the Linux kernel to the ENETC driver in the form of a request for up to eight traffic classes. The ENETC driver checks that there are enough Tx rings to accommodate all the requested traffic classes, and updates the priorities of each ring increasingly, starting with ring 0 (priority 0). The remaining rings that do not have a traffic class attached default to the lowest priority (0).

Following example demonstrates how to create an MQPRIO qdisc with four traffic classes. The ‘map’ argument simply maps each traffic class to a high-level ‘tc’ priority that can be used later by the filter commands to refer to a specific traffic class. In this case, ‘tc’ priorities 0-1 are mapped to traffic class 0, 2-3 to traffic class 1, 4-5 to traffic class 2, and 5-7 to traffic class 3:

```
tc qdisc add dev eno0 root handle 1: mqprio num_tc 8 map 0 1 2 3 4 5 6 7 queues
1@0 1@1 1@2 1@3 1@4 1@5 1@6 1@7
```

Following example demonstrates how to prioritize different traffic flows in this setup. The following two filters specify that traffic for destination port 6000 (tcp or udp) has priority 1 (assigned to traffic class 0) and traffic for destination port 7000 has priority 2 (higher priority, traffic class 1):

```
tc qdisc add dev eno0 clsact
tc filter add dev eno0 egress prio 1 u32 match ip dport 6000 0xffff action
skbredit priority 1
tc filter add dev eno0 egress prio 1 u32 match ip dport 7000 0xffff action
skbredit priority 2
```

### 7.6.2.3.11 Statistics and debug counters

ENETC hardware counters can be displayed via the `ethtool -S` command for each network device (that is, every ENETC station interface). The counters include some standard MAC/Ethernet frames statistics, traffic-related information for each Rx/Tx ring, and error event counters.

There is also a support for dumping a driver configured selection of device registers, to be used for debugging, via `ethtool -d`.

### 7.6.2.3.12 Interrupt coalescing support

The ENETC driver uses the Dynamic Interrupt Moderation (Net DIM) generic algorithm provided by the Linux kernel library to moderate the interrupt rate on the receive path. This feature improves CPU utilization for usual traffic loads (like a normal TCP stream @1 Gbit/s) while preserving a good latency at the same time. The algorithm analyzes ingress traffic and acts based on traffic load to reduce the rate of incoming packet interrupts by increasing the time interval between consecutive interrupts, programmed in ENETC's interrupt coalescing registers. An Rx interrupt coalescing time value that is too high however leads to increased latency on the packet processing path, so the algorithm balances interrupt coalescing (and interrupt rate) with latency based on traffic profile.

The Net DIM feature is enabled by default on the Rx path of every ENETC device.

**Example** – checking the Net DIM feature status:

```
ethtool -c eno0 | grep -i adaptive
Adaptive RX: on TX: off
```

On the Tx path, a default optimized time value for interrupt coalescing is being used, since the Tx interrupt rate does not directly affect packet latency. The current interrupt coalescing time values (in micro seconds) can be verified via `ethtool -c`.

**Example** – checking current interrupt coalescing time values:

```
ethtool -c eno0 | grep usecs
[...]
rx-usecs: 256
tx-usecs: 600
[...]
```

`rx-usecs` is configured dynamically by the Net DIM algorithm and changes based on traffic type. The `tx-usecs` value is preconfigured by default. Packet-based coalescing has fixed values and cannot be changed (see `rx-frames` and `tx-frames`).

**Note:** *There is also the option to configure the coalescing time values manually by disabling the Net DIM algorithm for Rx and overriding the default values for Rx and Tx, via the `ethtool -C rx-usecs/ tx-usecs` options. While manual configuration of interrupt coalescing can help optimize certain traffic profiles or could be used for benchmarking, it is not recommended. Interrupt coalescing can be disabled for a given interface via `ethtool -C` by clearing the `adaptive-rx` flag and setting `rx-usecs` and `tx-usecs` to 0.*

### 7.6.2.3.13 VF primary MAC address config

Configuring the primary MAC address of an ENETC VF device takes into consideration some restrictions imposed by typical access rights given to PCIe VFs in relation with the owning PF. The workflow for configuring the MAC address of a VF is as follows:

The Host needs to enable a VF first, for example, enabling VF0 for ENETC Port0 (PF0):

```
echo 1 > /sys/bus/pci/devices/0000\:00\:00.0/sriov_numvfs
```

The PF0 interface also needs to be up so that the physical Ethernet link is initialized. For example: #  
ifconfig eno0 up

Once the VF device is enabled it has a random MAC address assigned. At this point, changing the primary MAC address in VM (Guest Linux) context is allowed provided the Host does not change the MAC address of the same VF beforehand.

For example:

```
ip link set eno0vf0 addr aa:bb:cc:dd:ee:ff
```

The Host owning a PF device can also configure the primary MAC address of VFs belonging to that PF, in which case the Host configuration takes precedence over VF level configurations. For example:

```
ip link set eno0 vf 0 mac aa:bb:cc:dd:ee:ff
```

At this point the VF MAC address can no longer be changed via the VF0 netdevice interface (that is, from the Guest / VF context), and for any attempt to do so the Host will be notified via a warning message, For example:

```
fsl_enetc 0000:00:00.0: Attempt to override PF set mac addr for VF0
```

The VF primary MAC address configuration also comes with an anti-spoofing security feature, meaning that the VF is denied transmission of packets whose source MAC address is different from VF's primary MAC address if this feature is on. Anti-spoofing can be turned on/off by the following command, For example:

```
ip link set eno0 vf 0 spoofchk on
```

#### 7.6.2.3.14 Flow control

ENETC supports standard IEEE 802.3 flow control, which means the MAC can generate and react to received PAUSE frames, to achieve lossless packet processing.

Frames received by the ENETC MAC are first stored in a 256KB 'FIFO' memory of the MAC, then transferred to DRAM buffers populated by the driver in the receive rings. When there are no buffers available for the frame to be stored in, ENETC can be configured in lossy mode (where the frames are immediately dropped), or in lossless mode (where they are held back in the FIFO memory).

An occupancy threshold in the FIFO memory (which is usually mostly empty) triggers RX PAUSE frame generation. The driver configures the MAC to use the maximum quanta value for the PAUSE frames, and a subsequent PAUSE frame with a quanta of 0 will be generated when the congestion condition disappears.

On TX, the ENETC will not dequeue frames from the transmit rings as long as the link partner has signaled a congestion condition.

Correct FIFO memory partitioning for large (jumbo) packets requires the LS1028A Integrated Endpoint Register Block (IERB) driver, which is auto-selected when the CONFIG\_FSL\_ENETC driver option is enabled:

```
Symbol: FSL_ENETC_IERB [=y] Type : tristate
Defined at drivers/net/ethernet/freescale/enetc/Kconfig:29 Prompt: ENETC IERB
driver
Depends on: NETDEVICES [=y] && ETHERNET [=y] && NET_VENDOR_FREESCALE [=y]
Location:
-> Device Drivers
-> Network device support (NETDEVICES [=y])
-> Ethernet driver support (ETHERNET [=y])
-> Freescale devices (NET_VENDOR_FREESCALE [=y])
-> ENETC IERB driver (FSL_ENETC_IERB [=y])
```

The IERB driver probes on the following node from `arch/arm64/boot/dts/freescale/fsl-ls1028a.dtsi`, which is only available in device trees distributed with Linux v5.13 or later. If the `/proc/device-tree/soc/ierb@1f0800000/` node is not available, flow control is not available.

Flow control is advertised by default through the PHY registers. It can also be forcefully controlled, as follows:

```
ethtool --pause eno0 autoneg off rx off tx off
```

### 7.6.2.3.15 Driver support for XDP

ENETC has in-driver support for attaching BPF programs to the receive path of an interface and executing one of the following actions per packet:

- `XDP_DROP`: drops the frame and recycles its buffer back into the RX ring
- `XDP_PASS`: transforms the XDP buffer into a regular network socket buffer and lets it pass to the network stack
- `XDP_TX`: reflects the frame back into the TX path of the interface it came from, and recycles the RX buffer
- `XDP_REDIRECT`: forwards the frame to another interface or to a cpmmap

When an XDP program is attached to an ENETC interface, all packets received on all RX queues pass through the BPF program. For packets sent using `XDP_TX` or `XDP_REDIRECT`, a number of dedicated TX queues equal to the number of CPUs is cropped from the queues presented to the network stack `qdiscs` (`tc-mqprio`, `tc-taprio`). Therefore, whereas normally, the network stack can use up to 8 TX queues, with XDP it can use up to 6.

ENETC uses a split-page memory model, For the default `PAGE_SIZE` value of 4096, buffer sizes are 2048 bytes. Considering the XDP per-packet headroom and overhead, only 1472 bytes are available for RX buffers, which is insufficient for the default MTU of 1500.

To address this, ENETC implements scatter/gather processing, where a packet of 1500 bytes is received in a buffer of 1472 bytes and another one of 28 bytes. This works with the `XDP_DROP`, `XDP_PASS` and `XDP_TX` actions, but currently, multi-buffer frames which get the `XDP_REDIRECT` verdict will be dropped.

### 7.6.2.3.15.1 Driver support for AF\_XDP

ENETC has in-driver support for attaching zero-copy `AF_XDP` sockets to interrupt channels.

The `libbpf` library performs an `ETHTOOL_GCHANNELS` ioctl to find out the max number of queues a device has, number which in turn is used for attaching XDP sockets to queues. A channel is an IRQ and the set of queues that can trigger that IRQ.

In the LS1028A ENETC, the driver allocates a number of MSI-X interrupt vectors equal to the number of CPUs. The number of interrupt vectors is reported as the number of channels to `ethtool` and therefore `libbpf`. Each interrupt vector has 1 RX ring to process (there are more than 2 RX rings available on an ENETC port, but the driver only uses up to 2). In addition, the up to 8 TX rings are distributed in a round-robin manner between the up to 2 available interrupt vectors.

When an `AF_XDP` zero-copy socket is attached to a channel, the RX queue of the same number is seeded with buffers from the kernel's XSK (XDP socket) buffer pool, which in turn gets them from the UMEM provided by user space. The same TX queues that are reserved for XDP are also used for `AF_XDP` transmission. Packet transmission takes place through the TX queue associated with the channel number.

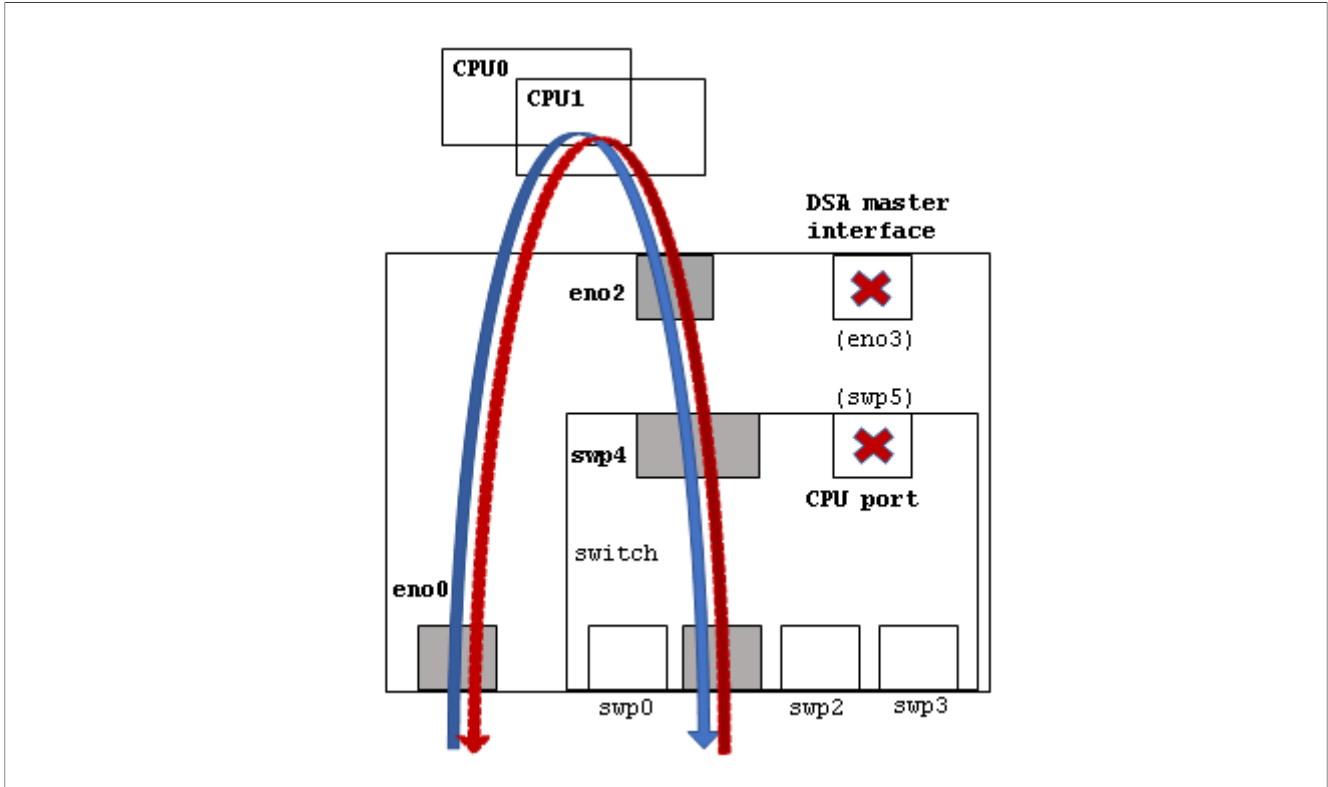
One of the following actions can be taken by the XDP program per packet:

- `XDP_DROP`: drops the frame and returns the buffer back to the XSK buffer pool
- `XDP_PASS`: copies the XSK buffer into a regular network socket buffer and lets it pass to the network stack, while returning the original buffer back to the XSK buffer pool

- XDP\_TX: reflects the frame back into the TX path of the interface it came from, and returns the buffer back to the XSK buffer pool
- XDP\_REDIRECT: forwards the frame to the XDP socket

7.6.2.4 Performance considerations and benchmarking provisions

Packet forwarding benchmarking for ENETC is based on the RFC2544 methodology. The maximum aggregated throughput is being measured for multiple balanced opposite direction flows of IPv4 packets forwarded between two ENETC interfaces.



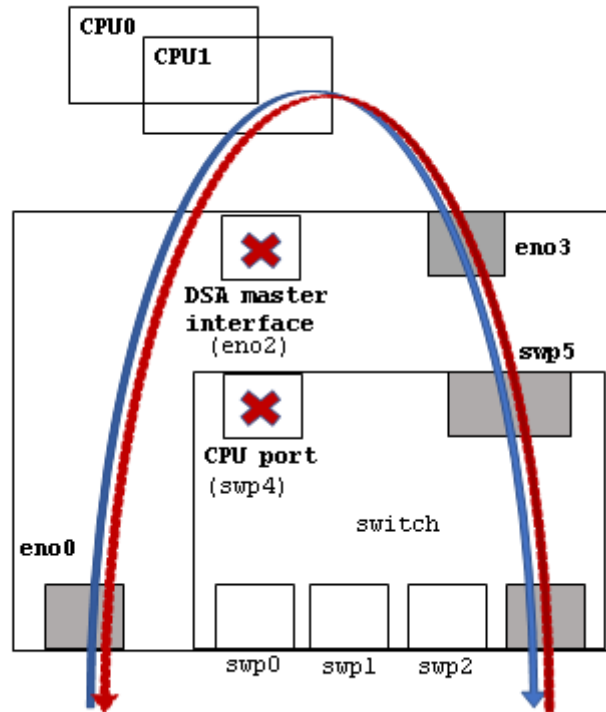


Figure 158. Packet forwarding benchmarking setups

For meaningful and consistent results of this benchmark test across multiple kernel versions and platforms the following configuration steps and setup guidelines are being enforced:

• **Configuring switch ports on the forwarding path**

Only non-CPU switch ports must be included on the forwarding path, see Figure 158. The setup (see the top diagram of Figure 158) is the default benchmarking configuration, with swp5 configured as CPU port and corresponding eno3 as DSA master interface. In this setup, the packet forwarding interfaces are eno0 and eno2 and both 1G and 2.5G link speeds are possible.

However, for setups that enforce swp4 as CPU port (and so eno2 as DSA master) benchmarking is still possible over eno3 and swp5 (see the bottom diagram of Figure 158) but only at 1G link speed (the internal link to eno3 – ENETC Port3 – is a 1G link).

The internal non-CPU switch port and corresponding internal ENETC port need to be activated via device tree, as they are disabled by default. Also, the switch needs to be configured in bridge mode so that packet can be forwarded between the front panel port and the non-CPU internal switch port (refer to the Felix switch document for details on these configurations).

Any front panel switch interface (swp0 – swp3) can be used as traffic input/output port on these setups.

• **Balanced flow processing among CPUs**

Rx and Tx queues are grouped into interrupt vectors and interrupt vectors are affined to separate CPUs. ID 0 queues (and remaining even queues for Tx) are affined to CPU0 and ID 1 queues (and remaining odd Tx queues) to CPU1.

For the most stable results of the RFC2544 benchmark test a low number of predetermined flows is used, and the number of flows in one direction equals the number of flows in the opposite direction. Traffic injection rates in both directions should also be equal. The flows in this case can be individually steered (RFS) so that the flows in one direction get processed on one CPU and the flows from the opposite direction by the other CPU, according to the example below.

**Example – Steering 2 opposite flows to separate CPUs:**

```
ethtool -N eno0 flow-type ip4 dst-ip 192.168.0.1 action 0
ethtool -N eno2 flow-type ip4 dst-ip 192.168.1.1 action 1
```

The above setup based on balancing flow processing via receive flow steering (RFS) is synthetic and aims for a very low variability of test results. If the flows are not predetermined, or individual steering of each flow is impractical, then there's the option to balance flow processing by hashing them to different CPUs. The results are less predictable in this case since the flows are less likely to get evenly balanced among CPUs.

**Example – Distributing incoming flows via hashing (RSS):**

```
ethtool -K eno0 rxhash on
ethtool -K eno2 rxhash on
```

• **Reduced system load kernel configuration**

Additional CPU consuming kernel processes and kernel features that add processing overhead must be reduced to a minimum. This ensures that packet forwarding performance is measured in isolation of other kernel features and evens up benchmark environments among different kernel versions.

The table below lists the CPU consuming kernel options that are known to affect RFC2544 benchmark results on LS1028A and should be disabled.

**Table 136. Kernel configs to disable for RFC2544**

Kernel config	Comments
CONFIG_FSL_ENETC_PTP_CLOCK, CONFIG_MSCC_FELIX_SWITCH_PTP_CLOCK	Timestamping support in the ENETC and Felix switch drivers.
CONFIG_USB_SUPPORT, CONFIG_MMC, graphics, and so on.	CPU consuming peripheral support, that is, USB, MMC, and graphics.

• **Reduced root file system**

Following the rationale from the previous point, the Linux root file system used should be minimal to restrict the number of Linux runtime processes.

As a general guideline, when comparing performance results among different kernel version the list of kernel process (that is, 'ps ax' command) should be about the same.

For additional general performance optimization guidelines, see the [Section 7.9](#) section.

**7.6.2.5 Known limitations**

List of major known limitations for the current driver release.

**7.6.2.5.1 External MDIO read issue**

External MDIO reads 0 every now and then when ENETC registers are accessed concurrently with MDIO accesses. This is a known hardware erratum (see H/W errata doc).

The current software workaround is to use a global lock across all ENETC register accesses. While the workaround solves the hardware issue, it introduces limitations on the software side. One such limitation is the impact on performance due to locking on the fast path. Another issue is that it limits the modularity and virtualization of the ENETC VF driver. Since the VF driver needs to share a global lock with the PF driver, the VF driver can no longer be run independently of the PF driver.

**7.6.2.5.1.1 VF module link issues on some kernels**

This issue is related to the MDIO read issue (see [Section 7.6.2.5.1](#)).

The global ENETC registers lock (`enetc_mdio_lock`) required by the MDIO read hardware issue workaround, limits the modularity of the VF driver as the lock needs to be shared between the PF and the VF ENETC drivers.



On Linux kernel v4.14, the ENETC VF driver fails to build separately as an external kernel module because of this shared lock.

**Note: Workaround:** Both the ENETC PF and VF drivers should be built as kernel built-in modules, instead of external kernel modules.

#### 7.6.2.5.1.2 VF module probing denied due to duplicate symbol

This issue is also related to the MDIO read issue (see [Section 7.6.2.5.1](#)).

The current MDIO read issue workaround is breaking the modularity of the VF driver by exporting the common `enetc_mdio_lock` symbol from both the PF and the VF drivers. If the VF driver is built as an external module, `modprobe` will issue the following error:

```
modprobe fsl-enetc-vf
fsl_enetc_vf: exports duplicate symbol enetc_mdio_lock (owned by fsl_enetc)
```

**Note: Workaround:** Both the ENETC PF and VF drivers should be built as kernel built-in modules, instead of external kernel modules.

#### 7.6.2.5.2 VF primary MAC address configuration issues

Changing the primary MAC address for a VF interface from VF context is currently not possible. The following command returns an error code without changing the address:

```
ip link set eno0vf0 addr aa:bb:cc:dd:ee:ff
```

Also, VF primary MAC address updates from PF context fail to register the new MAC address with the networking stack.

```
ip link set eno0 vf 0 mac aa:bb:cc:dd:ee:ff
```

#### Workaround:

Preconfigure all VF primary MAC addresses from U-Boot.

### 7.6.3 Felix Linux Ethernet driver

#### 7.6.3.1 Introduction

The time sensitive networking (TSN) Gigabit Ethernet switch core, also referred as L2Switch, contains five 10/100/1000/2500 Mbit/s Ethernet ports and one 10/100/1000 Mbit/s Ethernet port. It provides a rich set of Ethernet switching features, such as advanced TCAM-based VLAN and QoS processing as well as security processing using a TCAM-based versatile content aware processor (VCAP).

The device provides precision time protocol (PTP) and TSN support. TSN support is also described in this document.

**Note:** For additional information, refer to *LS1028A Reference Manual* at [nxp.com](http://nxp.com).

#### 7.6.3.2 Linux kernel configuration items

This section explains how to identify the Felix driver modules and corresponding kernel configuration options, as well as the associated device tree nodes.

### 7.6.3.2.1 Driver modules and dependencies

The Felix driver has two layers:

- a library supporting common hardware features for Microsemi’s Ocelot product family of switch cores
- a DSA driver module (called Felix) to manage the VSC9959 switch core integrated as a PCIe endpoint device on the LS1028A SoC

On the same SoC, the Felix switch relies on ENETC’s central MDIO controller for PHY level services. The dependency on the ENETC’s MDIO driver module is summarized in the table below.

**Table 137. Driver modules and dependencies**

Module	Runtime dependencies	Description
mscc_ocelot_switch_lib.ko	-	Common hardware support library for Microsemi Ocelot switch devices
mscc_felix.ko	mscc_ocelot_common.ko , fsl-enetc-mdio.ko	Felix DSA switch driver
fsl-enetc-mdio.ko	-	ENETC central MDIO controller (PCIe PF 3)

### 7.6.3.2.2 Kernel configuration options

The kernel configuration tree view for enabling the Felix driver modules through `make menuconfig` command:

```
Networking support --->
Networking options --->
Distributed Switch Architecture --->
-* Tag driver for Ocelot family of switches, using NPI port
<*> Tag driver for Ocelot family of switches, using VLAN

Device Drivers --->
[*] Network device support --->
Distributed Switch Architecture drivers --->
<*> Ocelot / Felix Ethernet switch support
```

**Table 138. Driver kernel config options**

Option	Values	Modules
CONFIG_FSL_ENETC_MDIO	y/m/n	fsl-enetc-mdio.ko
CONFIG_NET_DSA_MSCC_FELIX	y/m/n	mscc_felix.ko
CONFIG_MSCC_OCELOT_SWITCH_LIB	y/m/n	mscc_ocelot_switch_lib.ko
CONFIG_NET_DSA_TAG_OCELOT	y/m/n (auto-selected)	tag_ocelot.ko
CONFIG_NET_DSA_TAG_OCELOT_8021Q	y/m/n (auto-selected)	tag_ocelot_8021q.ko

### 7.6.3.2.3 Device tree nodes

The Felix switch uses PCIe Enhanced Allocation to present itself as a PCIe device. As a result, the `ethernet-switch` node is a subnode of the ENETC PCIe root complex node and its `reg` property conforms to the PCI bindings.

- `reg`: Specifies the PCIe device number and the function number of the endpoint device. In this case, it is `<0x000500 0 0 0 0>` (function 5, device 0, bus 0).

The device tree bindings of the Felix switch comply with the common DSA switch bindings. For a complete definition, see the schema at `Documentation/devicetree/bindings/net/dsa/mscc,ocelot.yaml`.

The main device tree file for the switch is in the common SoC dtsi, `arch/arm64/boot/dts/freescale/fsl-ls1028a.dtsi`.

Individual board device trees need to enable the switch and the ports that are routed to pins, and provide `phy-mode` and `phy-handle` values.

There are 2 internal switch ports connected to ENETC. Neither of them are selected as CPU port (which handles DSA-tagged traffic) in the SoC dtsi. This is also handled by individual board device trees.

### 7.6.3.2.4 Source files

Felix and Ocelot driver sources:

Table 139. Source files

Source files	Description
<code>drivers/net/dsa/ocelot:</code> <code>felix.c, felix.h, felix_vsc9959.c</code>	Felix DSA driver
<code>net/dsa/tag_ocelot.c</code>	DSA tagging support for Ocelot devices
<code>include/soc/mscc:</code> <code>ocelot.h, ocelot_dev.h, ocelot_ana.h,</code> <code>ocelot_sys.h, ocelot_qsys.h, ocelot_</code> <code>hsio.h</code>	Ocelot library's external API
<code>drivers/net/ethernet/mscc:</code> <code>ocelot.c, ocelot.h, ocelot_*.c</code>	Library for Ocelot switch core devices

### 7.6.3.3 Linux runtime usage

This section describes the major Felix switch features and related usage instructions:

#### 7.6.3.3.1 Felix interfaces and probing

On successful probing of the DSA Felix switch, each available front-panel switch port should have a network device interface attached with the `swpX` name format. The `ip link show` command uses the `swpX@enoY` name format to also indicate the associated master Ethernet interface for the DSA switch port, which corresponds to an internal ENETC interface, usually the `eno2` (Port2) for the LS1028A SoC. For detailed description of the placement and naming of the front panel switch ports for LS1028ARDB, see [Section 7.6.1](#).

**Example** – Switch port interfaces `swpX` and DSA master interface `eno2` available after probing:

```
ip link show
[...]
3: eno2: <BROADCAST,MULTICAST> mtu 1532 qdisc noop state DOWN mode DEFAULT group
 default qlen 1000
 link/ether 4e:c8:97:66:a9:6f brd ff:ff:ff:ff:ff:ff
[...]
6: swp0@eno2: <BROADCAST,MULTICAST,M-DOWN> mtu 1500 qdisc noop state DOWN mode
 DEFAULT group default qlen 1000
 link/ether 4e:c8:97:66:a9:6f brd ff:ff:ff:ff:ff:ff
7: swp1@eno2: <BROADCAST,MULTICAST,M-DOWN> mtu 1500 qdisc noop state DOWN mode
 DEFAULT group default qlen 1000
 link/ether 4e:c8:97:66:a9:6f brd ff:ff:ff:ff:ff:ff
```

```
8: swp2@eno2: <BROADCAST,MULTICAST,M-DOWN> mtu 1500 qdisc noop state DOWN mode
 DEFAULT group default qlen 1000
 link/ether 4e:c8:97:66:a9:6f brd ff:ff:ff:ff:ff:ff
9: swp3@eno2: <BROADCAST,MULTICAST,M-DOWN> mtu 1500 qdisc noop state DOWN mode
 DEFAULT group default qlen 1000
 link/ether 4e:c8:97:66:a9:6f brd ff:ff:ff:ff:ff:ff
```

**7.6.3.3.2 Connecting to host CPU**

On the LS1028A SoC, the switch is connected to the host CPU via two SoC internal MAC-to-MAC port connections between the switch and the corresponding ENETC Ethernet endpoints:

- ENETC PF2 (or ENETC Port 2) and switch port #4 (2.5G link)
- ENETC PF6 (or ENETC Port 3) and switch port #5 (1G link)

CPU packet transmission and reception from a switch port are indirect through the attached ENETC port.

Out of these two MAC-to-MAC connections with the host CPU, the switch IP allows for a single switch port to operate in NPI port mode. This allows the control traffic of the switch to be redirected to an Ethernet port.

These packets are tagged with an Ocelot proprietary frame header. The header contains information such as packet trapping reason, switch port identification for multiplexing and demultiplexing, hardware timestamps for PTP, QoS class, classified VLAN ID.

DSA can use the NPI port functionality to offer dedicated network interfaces with support for packet RX and TX. DSA calls the NPI port "CPU port". Since the switch supports a single NPI port, the other internal switch port connected to the CPU does not support these features. It is a configured as a regular switch port, which DSA calls "user port".

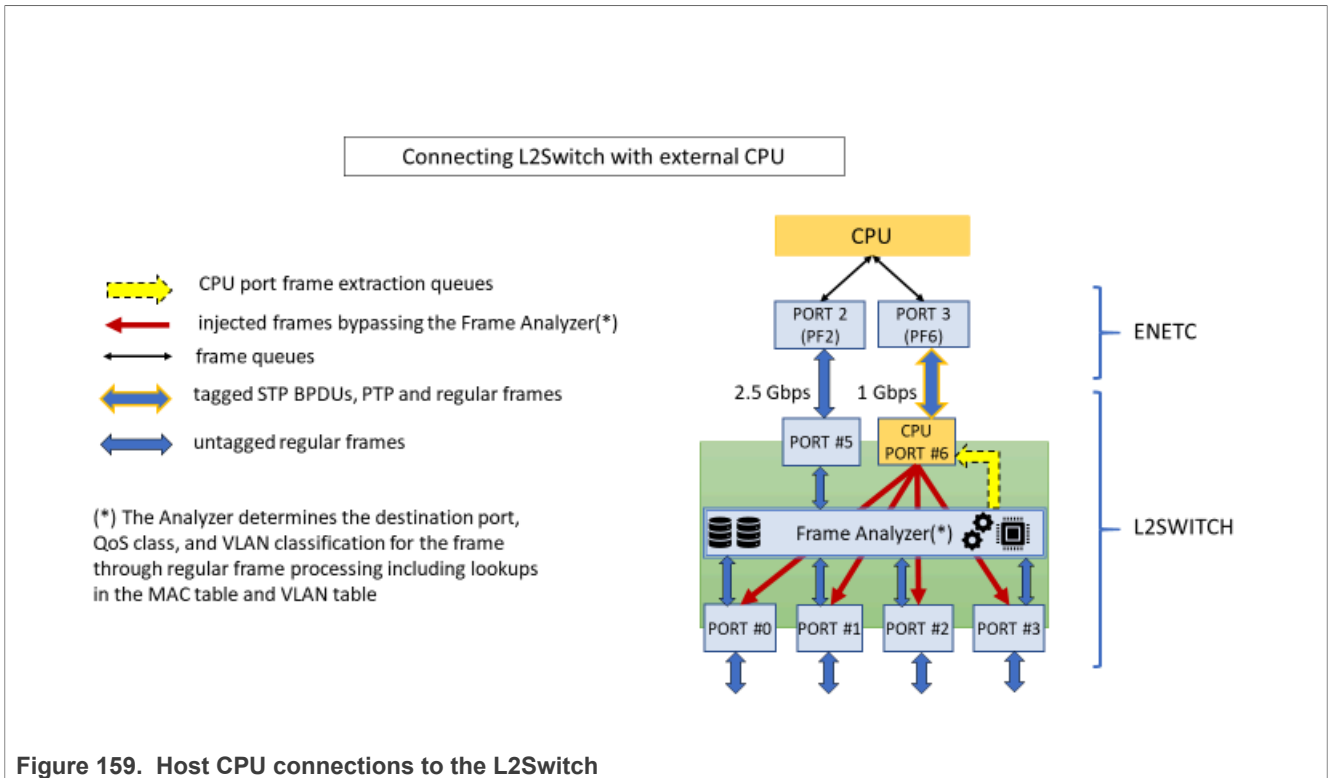
The following table summarizes the differences between the NPI and non-NPI (user) port modes.

**Table 140. NPI port and non-NPI port modes**

Feature	NPI port	Non-NPI port
Allows frame injection/extraction via Ocelot proprietary header	Yes	No
Is a destination for control frames, for example. STP.	Yes	No
Is a destination for data plane frames forwarded by the switch	Yes	Yes, if in a bridge
Visible as a network interface	No	Yes
Attached ENETC interface usable as IP termination endpoint	No (sees DSA-tagged traffic)	Yes
Supports flow control	No	Yes

In non-CPU mode, the user needs to use the peer network interface to send and receive packets instead of the actual switch port interface.  
 In CPU port mode, the user will use the net device interface of the switch port or the bridge interface.

The following figure shows the switch connections to L2Switch connection with the host CPU.



**Note:** By default, the LS1028A-RDB defines the 2.5G switch port (port #4) as CPU port while the last internal switch port and corresponding ENETC port are disabled. However, these defaults can be changed by updating the corresponding device tree nodes.

### 7.6.3.3.2.1 NPI port mode

The NPI port works by providing the means for the host CPU to choose a switch destination port for a frame and address control frames from known protocols. For example, STP.

In the Felix DSA switch driver setup, the CPU port is connected directly to the master Ethernet interface. The two important features of the CPU port mode are frame injection and frame extraction.

#### Frame injection

By using a custom tag or injection header of 128b length prepended before the Ethernet frame header, the driver can instruct the L2Switch to forward the frame on a specific port and bypass the frame analyzer. The analyzer determines the destination port, QoS class, and VLAN classification for the frame through normal frame processing including lookups in the MAC table and VLAN table.

The tagged frame transmission is done from the peer network endpoint device. The peer net device is designated by the **Ethernet** device tree property. On reception, the L2Switch will strip the header, apply the frame updates (for example, write timestamp on PTP frames) and put the frame on the egress queue of the destination port.

Once configured for injection, the switch port accepts only tagged frames.

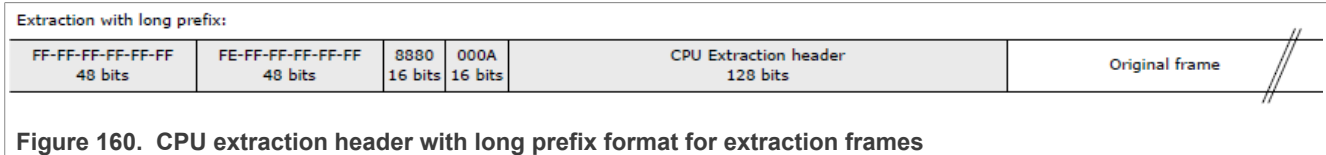
#### Frame extraction

The L2Switch can intercept a variety of control frames or just normal frames (unicast or multicast) and redirect them to the CPU port. When a frame exits the CPU port, it is also prepended, similar to injection, by a custom

tag or an extraction header (128b length). This header needs to be stripped off and decoded by the switch driver to extract the ingress switch port number on which the frame was received.

Once configured for extraction, the switch port emits only tagged frames.

For frame extraction, the switch is configured to add a 128b prefix, called long prefix, on top of the normal 128b extraction header. The reason for this is that the long prefix adds a broadcast header to the frame so that it is always guaranteed to be received by the DSA master device, regardless of the DSA master device's promiscuity mode.



### 7.6.3.3.2.2 Non-CPU port mode (L2 forwarding)

For the SoC internal port that works in the non-CPU mode, the decision to forward the frame to the host CPU or to accept a frame from it depends exclusively on the frame analyzer and the MAC and VLAN tables. As mentioned earlier, the frames transiting a non-CPU port are not carrying any custom tags. In this mode only, the peer net device port (that is ENETC Port) acts like a proxy for the switch port, therefore the user is required to use the peer's Linux network interface for sending and receiving packets from/to the switch.

The internal non-CPU switch port is disabled by default, as part of the default Felix DSA switch setup which covers most of the user use-cases. However, there are some L2Switch use cases (usually TSN related) that require an internal switch port to work in non-CPU mode.

**Example** – Enabling the internal 2.5G switch port as non-CPU port for 802.1CB:

The switch core for 802.1CB FRER uses the MAC table (FDB) to assign packets to a seamless stream ID (SSID). In turn, the MAC table needs the analyzer module (ANA) to inspect the frames. But traffic that passes to/from the DSA CPU port bypasses the analyzer module, which means that CPU originated traffic would not be correctly assigned to an SSID for 802.1CB if it is coming through a switch port in CPU mode (that is, having injection/ extraction headers).

To work around this issue and provide a functional 802.1CB use case, the default DSA CPU port setup is changed as follows for the LS1028RDB board, by patching the corresponding device tree nodes:

1. Internal ENETC Port 3 (eno3) is enabled.
2. Internal L2Switch port #4 (swp4, 2.5G link) is designated as non-CPU port.
3. Internal L2Switch port #5 (swp5, 1G link) is the new CPU port, and eno3 the new DSA master interface.

Changing the DSA master interface from ENETC port 2 (eno2@2.5G) to ENETC port 3 (eno3@1G):

```
diff --git a/arch/arm64/boot/dts/freescale/fsl-ls1028a-rdb.dts b/arch/arm64/
boot/dts/freescale/fsl-ls1028a-rdb.dts
[...]
+&enetc_port3 {
+ status = "okay";
+};
+
[...]
+
+ port@4 {
+ /delete-property/ ethernet;
+ };
+
+ port@5 {
```

```
+ status = "okay";
+ ethernet = <&enetc_port3>;
+ };
+ [...]

```

7.6.3.3.2.3 Tag\_8021q CPU port mode

DSA supports dynamically changing the tagging protocol used by a particular DSA switch tree. Since the hardware limitation in the A-050484 erratum lies in the use of the NPI mode (called ocelot DSA tagging protocol), there exists an alternative DSA tagging protocol named ocelot-8021q which accomplishes most of what the NPI mode is able to, in a way which does not make use of the NPI mode, and hence is not subject to the flow control limitation.

Below is a summary of the similarities and differences between the NPI port mode and tag\_8021q CPU port mode.

Table 141. NPI port mode and tag\_8021q CPU port mode

Feature	NPI port	User port
Allows packet injection/extraction to standalone user ports	yes, via proprietary headers	yes, via VLAN headers
Allows data plane packet injection/extraction to bridged ports	yes, via proprietary headers	yes, via VLAN headers
Allows control plane packet injection/extraction	yes, via proprietary headers	yes, via registers
Is a destination for control frames, for example STP or PTP	yes	yes
Is a destination for data plane frames forwarded by the switch	yes	yes
Visible as a network interface	no	no
Attached ENETC interface usable as IP termination endpoint	no (sees DSA-tagged traffic)	no (sees DSA-tagged traffic)
yes	yes	yes
Supports flow control	no	yes
Supports PTP over L2/L4	yes	yes
QoS class available	yes	yes
Trap reason available	yes	no
Consumes TCAM entries	no	yes
Multiple CPU ports possible	no	yes

The DSA tagging protocol is an implementation detail of a switch. User space applications are unaware of the differences between one protocol and another, and there is no change in terms of packet data for sockets opened on the DSA switch user interfaces. By default, the Felix DSA driver will boot using the NPI-based ocelot tagging protocol even if ocelot-8021q is supported.

To view the tagging protocol in current use, a sysfs file exported by the DSA master can be read:

```
$ cat /sys/class/net/eno2/dsa/tagging ocelot

```

The sysfs is also writable with the name of the alternative tagging protocols that can be used for a certain switch tree (the one attached to the DSA master):

```
$ echo "ocelot-8021q" > /sys/class/net/eno2/dsa/tagging

```

**Note:** Note that the DSA master and all DSA user ports attached to it must be down while changing the tagging protocol.

To bring all DSA switch ports down, it is sufficient to bring their master down:

```
$ ip link set eno2 down
```

To bring a DSA switch port up, it is sufficient to bring its interface up and the master will be automatically brought up as well, if found to be down:

```
$ ip link set swp0 up
```

If ports were brought down during the tagging protocol change procedure, it is necessary to manually bring them up again. If the default switch tagging protocol is considered to be broken or there is a desire to permanently change it, there is also the option of modifying the device tree to specify an alternative. The kernel will switch over to this protocol during boot.

The syntax for doing this is described in the DT bindings document for a DSA port (CPU port, in this case):

<https://www.kernel.org/doc/Documentation/devicetree/bindings/net/dsa/dsa-port.yaml>

An example is given below:

```
&mscc_felix_port4 {
 ethernet = <&enetc_port2>;
 dsa-tag-protocol = "ocelot-8021q";
};
```

To validate the ability to perform lossless packet termination, perform the following steps:

1. Confirm that "ocelot-8021q" is the tagging protocol currently in use:

```
$ cat /sys/class/net/eno2/dsa/tagging ocelot-8021q
```

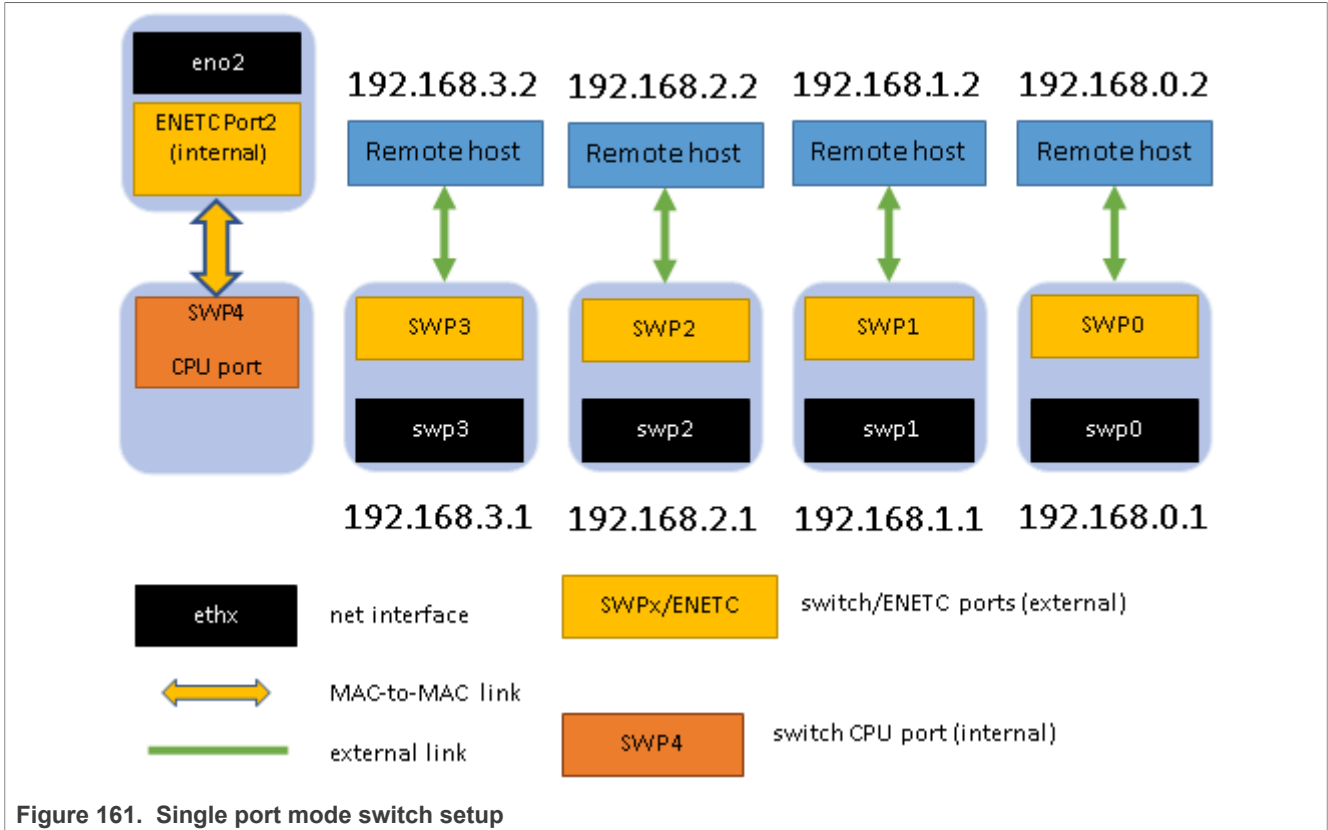
2. Send traffic at line rate and check the flow control counters. The TX PAUSE counters of the DSA master should be equal to the RX PAUSE of the switch CPU port, and the RX PAUSE of the DSA master should be equal to the TX PAUSE of the switch CPU port. The feature is functional if p04\_tx\_pause increases:

```
$ ethtool -S eno2 | grep pause
MAC rx valid pause frames: N
MAC tx valid pause frames: M
p04_rx_pause: M
p04_tx_pause: N
```

### 7.6.3.3.3 Single port mode

In this configuration mode, the traffic received on all external ports is forwarded to the CPU port. However, the L2 forwarding is not enabled by default. Each switch port interface can be used independently to send and receive packets.





**Example – Single port configuration of the Felix DSA switch driver:**

```
#!/bin/bash
#
configure external switch interfaces
ip addr add 192.168.0.1/24 dev swp0
ip addr add 192.168.1.1/24 dev swp1
ip addr add 192.168.2.1/24 dev swp2
ip addr add 192.168.3.1/24 dev swp3
master interface to be brought up first
ip link set eno2 up
bring up the slave interfaces
ip link set swp0 up
ip link set swp1 up
ip link set swp2 up
ip link set swp3 up
```

**7.6.3.3.4 Bridge mode**

The following diagram describes a basic bridge setup required to test the switch with CPU port configuration and L2 forwarding at the same time. All external switch ports (DSA slave interfaces) are added to a bridge. eno2 is brought up as the DSA master interface.

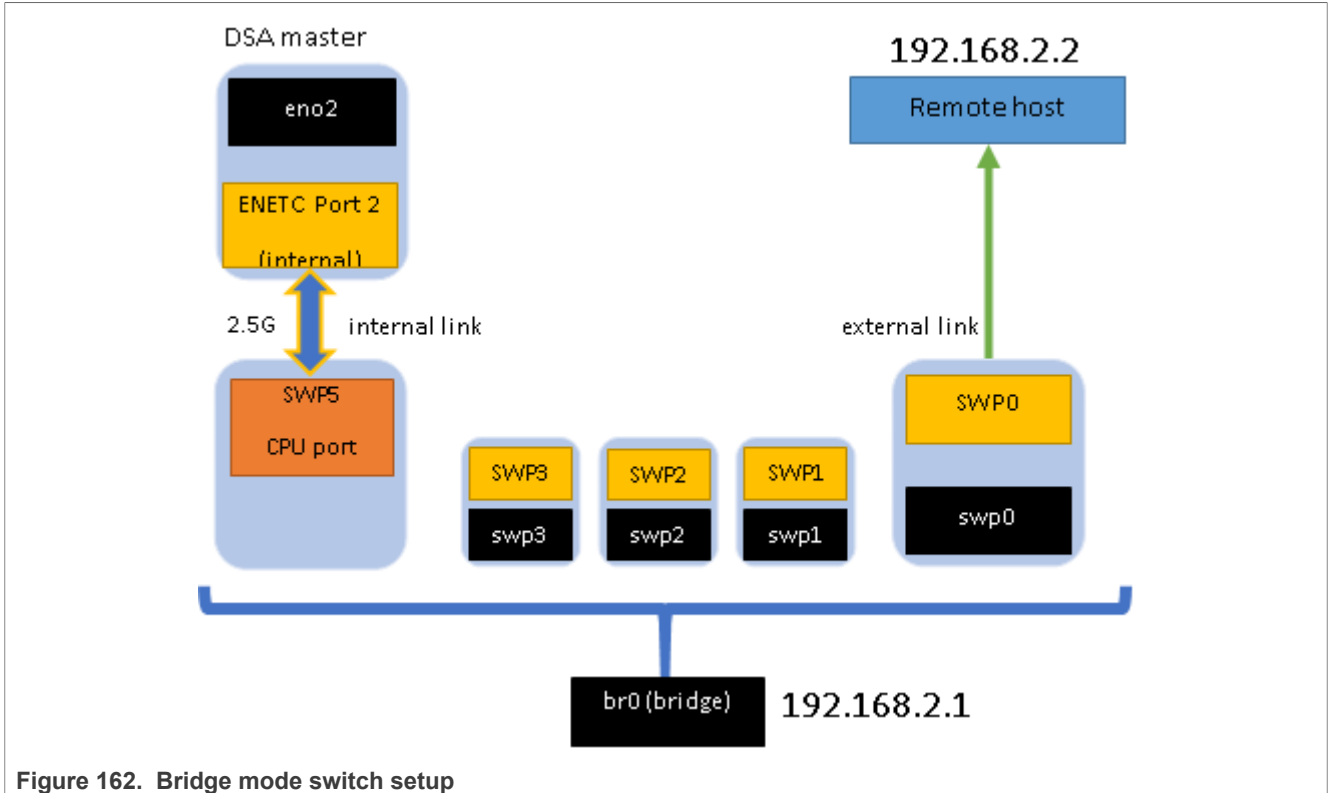


Figure 162. Bridge mode switch setup

**Example - Bridge configuration of the Felix DSA switch driver:**

```
#!/bin/bash
#
bring up master interface before the slave ports (optional, also done
automatically)
ip link set eno2 up
bring up the slave interfaces
ip link set swp0 up
ip link set swp1 up
ip link set swp2 up
ip link set swp3 up
create bridge
ip link add name br0 type bridge
add the external switch ports to the bridge
ip link set dev swp0 master br0
ip link set dev swp1 master br0
ip link set dev swp2 master br0
ip link set dev swp3 master br0
configure and bring up the bridge
ip addr add 192.168.2.1/24 dev br0
ip link set dev br0 up
```

**7.6.3.3.5 Gateway mode**

In this mode all external switch ports, except the one chosen as the upstream port, are added to a bridge. The upstream port can be used as a separate network interface.

**Example** - Bridge configuration of the Felix DSA switch driver:

```
#!/bin/bash
#
bring up master interface before the slave ports (optional, also done
automatically)
ip link set eno2 up
bring up the slave interfaces
ip link set swp0 up
ip link set swp1 up
ip link set swp2 up
ip link set swp3 up
configure the upstream port
ip addr add 192.0.2.1/30 dev swp0
create bridge
ip link add name br0 type bridge
add the lan ports to the bridge
ip link set dev swp1 master br0
ip link set dev swp2 master br0
ip link set dev swp3 master br0
configure and bring up the bridge
ip addr add 192.168.2.125/25 dev br0
ip link set dev br0 up
```

### 7.6.3.3.6 VLAN filtering

The following two components are used in the Linux kernel for dealing with 802.1Q VLAN tags:

- The 8021q module (activated by `CONFIG_VLAN_8021Q`) for creating VLAN subinterfaces of network devices with tagged traffic
- The `CONFIG_BRIDGE_VLAN_FILTERING` support for implementing 802.1d bridging (port membership enforcements)

The Felix switch on LS1028A is integrated with two frameworks:

- with 8021q module via DSA framework that sets the `NETIF_F_HW_VLAN_CTAG_FILTER` flag for each DSA slave port (external switch port). With this, VLAN subinterfaces created on top of `swpX` networking devices will have the process of pushing and stripping a VLAN header offloaded to the hardware;
- with the bridge `vlan_filtering` mode (switching with VLAN awareness) via the `switchdev` objects for VLAN (`SWITCHDEV_OBJ_ID_PORT_VLAN`).

By default, a Linux bridge is created with VLAN awareness disabled:

```
ip link add dev br0 type bridge
for swp in swp0 swp1 swp2 swp3 swp4; do ip link set dev $swp master br0; done
```

"VLAN unaware" means that when the bridge is operating in this mode, it will ignore VLAN tags. If the bridge receives VLAN-tagged frames, it will forward them as untagged and not perform any port membership check.

To make the bridge VLAN-aware, one can either delete the existing bridge and make another one that is VLAN-aware:

```
ip link del dev br0
ip link add dev br0 type bridge vlan_filtering 1
```

Or simply toggle the `vlan_filtering` property on the bridge that already exists:

```
ip link set dev br0 type bridge vlan_filtering 1
```

When VLAN filtering is enabled on the switch, the 'bridge' tool from iproute2 can be used to manipulate the VLAN tables of the ports.

By default, only the `default_pvid` (1) of the bridge is installed on all the switch ports. Therefore, all VLAN-tagged traffic, except that tagged with VID 1, will be dropped.

**Note:** Since the `pvid` (port-based VLAN) is 1, all untagged traffic will also get internally processed by the switch as having VID 1. Therefore, (a) untagged traffic is treated in same manner as traffic tagged with VID 1, or any other value that the `pvid` may have, and (b) deleting VID 1 from the VLAN table of the switch port will effectively block untagged and VID 0-tagged traffic too.

To install a rule by which the switch port accepts traffic tagged with VLAN 100:

```
bridge vlan add dev swp0 vid 100
```

It is not enough for the switch to accept this traffic (or rather said: it will accept it, and then drop it due to lack of valid destinations). The egress port must also be part of this VLAN. For example, consider the case where these frames must be terminated on the CPU, assuming the internal port configuration from `fs1-ls1028a-rdb-dpdk.dts`, where `swp4/eno2` is the port pair with DSA tagging, and `eno3` is a switch-unaware interface connected to `swp5`. To terminate these frames on `eno3`, the egress port of the switch is `swp5`, and that needs to be made a member of VLAN 100:

```
bridge vlan add dev swp5 vid 100
```

The above command may be used in conjunction with creating a VLAN subinterface on top of `eno3`, the internal ENETC host port without DSA headers:

```
ip link add link eno3 name eno3.100 type vlan id 100 ingress-qos-map 0:0 1:1
2:2 3:3 4:4 5:5 6:6 7:7 egress-qos-map 0:0 1:1 2:2 3:3 4:4 5:5 6:6 7:7
ip link set dev eno3.100 up
```

The above setup may be useful for sending in-band QoS hints to the switch when transmitting traffic through the switch ports. By altering the `skb` priority (by using the `SO_PRIORITY` API, for example), the VLAN PCP gets set to a value corresponding to a traffic class in the range 0 (best effort) to 7 (highest priority) for packets sent over `eno3.100`. The `swp5` port then processes this VLAN tag, performs a 1-to-1 mapping between VLAN PCP and one of its traffic class queues, and forwards the packet with the appropriate priority to the other port member of the VLAN 100 (`swp0`).

In the setup above, packets will exit `swp0` with the VLAN tag still present. If the tag is not desired, it can be stripped on egress:

```
bridge vlan del dev swp0 vid 100
bridge vlan add dev swp0 vid 100 untagged
```

It is also possible for the switch to tag untagged traffic with a different VLAN ID on ingress:

```
bridge vlan add dev swp0 vid 100 pvid
```

It is important to keep in mind that "pvid" is an ingress property of the VLAN, and "untagged" is an egress one. They can also be combined as follows:

```
bridge vlan add dev swp0 vid 100 pvid untagged
```

### 7.6.3.3.7 Jumbo frame support

The Felix driver supports transmission and reception of Ethernet frames with payloads greater than 1500 bytes (standard Ethernet frames), also known as jumbo frames. The allowed maximum L2 payload size of an ingress or egress Ethernet frame for a Felix DSA switch port is called the MTU value (“Maximum transmission unit” or “Maximum transfer unit”) of that port and is configurable at runtime.

The upper limit for jumbo frame sizes is computed based on the maximum MTU supported by the DSA master interface (an ENETC Ethernet interface in this case). Namely, the maximum allowed Felix DSA port MTU is equal to the maximum MTU of the DSA master Ethernet interface (ENETC) minus the injection header overhead (32 bytes with the long prefix). This also means that the maximum MTU value of all the DSA switch ports is propagated to the DSA master interface (plus the DSA tagging overhead).

Example – Increasing the MTU of swp0 to 8000, leaving the other ports to their default MTU.

```
ip link set mtu 8000 dev swp0
```

Verifying the MTU value of the switch port and the propagated MTU value of the master interface.

```
ip link show dev swp0
6: swp0@eno2: <BROADCAST,MULTICAST,UP,LOWER_UP> mtu 8000 qdisc noqueue state UP
mode DEFAULT group default qlen 1000
link/ether 00:00:0e:00:00:02 brd ff:ff:ff:ff:ff:ff
ip link show dev eno2
3: eno2: <BROADCAST,MULTICAST,UP,LOWER_UP> mtu 8032 qdisc mq state UP mode
DEFAULT group default qlen 1000
link/ether 00:00:0e:00:00:02 brd ff:ff:ff:ff:ff:ff
```

When two (or more) switch port interfaces are bridged together, the MTU values of the bridged interfaces are equalized to the MTU value of the last interface to join the bridge or the last configured MTU value of a switch port interface that is already bridged. This feature is called MTU auto-normalization of bridged switch port interfaces.

Example – MTU auto-normalization of bridged switch port interfaces.

```
ip link set dev swp0 master br0
ip link set dev swp1 mtu 8000
ip link set dev swp1 master br0
```

After this sequence swp0 will change its MTU value to 8000 (from swp1).

```
ip link set dev swp0 master br0
ip link set dev swp1 master br0
ip link set dev swp0 mtu 8000
```

After this sequence swp1 will change its MTU value to 8000 (from swp0).

### 7.6.3.3.8 QoS – Port policers

Port policers can be used to limit the rate of the traffic received on a given switch port. For the Felix switch, policing can be offloaded to the hardware. The hardware supports MEF-compliant dual leaky bucket policers that are capable of handling committed and excess peak information rates. However, currently, only the committed information rate (CIR) and bucket size (burst) is configurable.

To set up a port policer, the following kernel options are needed:

**CONFIG\_NET\_ACT\_POLICE**

```

Symbol: NET_ACT_POLICE [=y]
Type : tristate
Prompt: Traffic Policing
Depends on: NET [=y] && NET_SCHED [=y] && NET_CLS_ACT [=y]
Location:
 -> Networking support (NET [=y])
 -> Networking options
 -> QoS and/or fair queueing (NET_SCHED [=y])
 -> Actions (NET_CLS_ACT [=y])

```

**CONFIG\_NET\_CLS\_MATCHALL**

```

Symbol: NET_CLS_MATCHALL [=y]
Type : tristate
Prompt: Match-all classifier
Depends on: NET [=y] && NET_SCHED [=y]
Location:
 -> Networking support (NET [=y])
 -> Networking options
 -> QoS and/or fair queueing (NET_SCHED [=y])
Selects: NET_CLS [=y]

```

**CONFIG\_NET\_SCH\_INGRESS**

```

Symbol: NET_SCH_INGRESS [=y]
Type : tristate
Prompt: Ingress/classifier-action Qdisc
Depends on: NET [=y] && NET_SCHED [=y] && NET_CLS_ACT [=y]
Location:
 -> Networking support (NET [=y])
 -> Networking options
(1) -> QoS and/or fair queueing (NET_SCHED [=y])
Selects: NET_INGRESS [=y] && NET_EGRESS [=y]

```

**Example**

The following command can be used to install a port policer that limits ingress traffic to the rate of 10 Mbit/s.

```

tc qdisc add dev swp2 clsact
tc filter add dev swp2 ingress matchall skip_sw \
 action police rate 10mbit burst 64k

```

**7.6.3.3.9 Statistic counters**

The Felix switch driver supports `ethtool -S` statistics reporting for each DSA slave switch port through the associated net devices. The DSA master Ethernet interface includes the stats of the internal switch port, the CPU port, along with its own Ethernet controller's statistics (ENETC Port), reported via `ethtool -S`.

**7.6.3.3.10 Advanced packet classification**

The Felix switch includes a packet filter/action TCAM-based engine named Versatile Content-Aware Processor (VCAP). This allows inspecting packet headers up to L4 and performing various actions such as:

- trap (VCAP IS2 lookup 0)
- drop (VCAP IS2)

- redirect (VCAP IS2)
- mirror (VCAP IS2)
- police (VCAP IS2 lookup 0)
- push VLAN header (VCAP ES0)
- pop VLAN header (VCAP IS1)
- change VLAN header (VCAP IS1, ES0)
- change QoS classification (VCAP IS1)

The VCAP has an ingress pipeline and an egress pipeline.

The ingress pipeline is composed of 2 chained stages, IS1 and IS2:

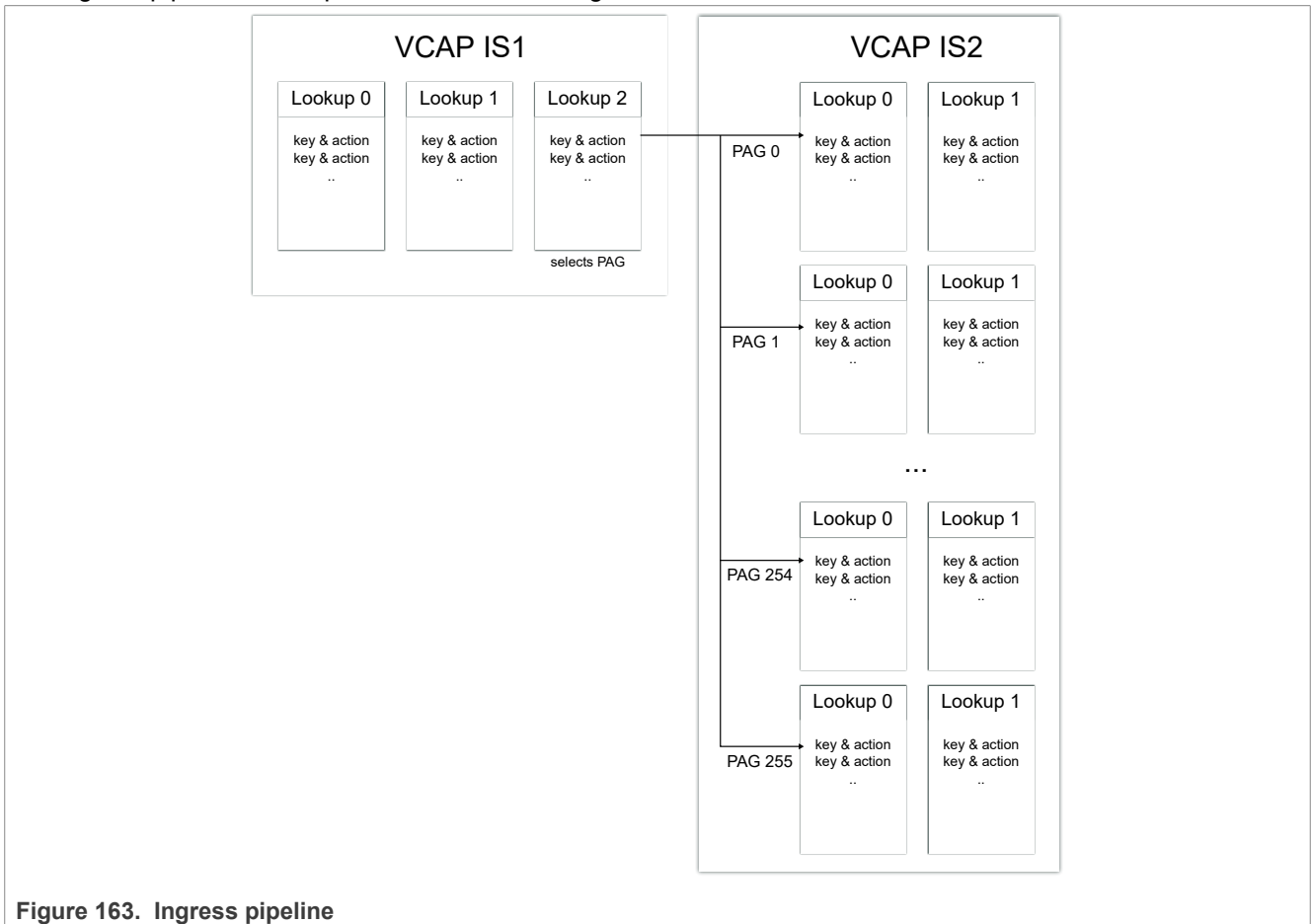


Figure 163. Ingress pipeline

Both the VCAP IS1 (Ingress Stage 1) and IS2 (Ingress Stage 2) are indexed (looked up) multiple times per packet: IS1 3 times, and IS2 2 times. Each filter (key and action pair) can be configured to only match during the first, or second, etc, lookup.

During one TCAM lookup, the filter processing stops at the first entry that matches, then the pipeline jumps to the next lookup.

The driver allows programming the VCAP TCAM using tc-flower filters and the clsact classifier/action system. Each lookup of each ingress TCAM has a corresponding chain number, as follows:

VCAP IS1 lookup 0:	10000
VCAP IS1 lookup 1:	11000
VCAP IS1 lookup 2:	12000
VCAP IS2 lookup 0 policy 0:	20000

```
VCAP IS2 lookup 0 policy 1: 20001
VCAP IS2 lookup 0 policy 255: 20255
VCAP IS2 lookup 1 policy 0: 21000
VCAP IS2 lookup 1 policy 1: 21001
VCAP IS2 lookup 1 policy 255: 21255
```

For correct rule offloading, it is mandatory that each filter installed in one TCAM is terminated by a non-optional GOTO action to the next lookup from the fixed pipeline.

A chain can only be used if there is a GOTO action correctly set up from the prior lookup in the processing pipeline. Setting up all chains is not mandatory.

It is also possible to not use chains, but install `tc-flower` filters directly to the default chain (chain 0) of the ingress qdisc of a switch port. In this case, filters are programmed to VCAP IS2 lookup 0 policy 0. Filters which have an action that cannot be offloaded by VCAP IS2 are rejected in chain 0.

**Note:** VCAP IS1 currently uses `S1_NORMAL` half keys exclusively, and VCAP IS2 dynamically chooses between `MAC_ETYPE`, `ARP`, `IP4_TCP_UDP`, `IP4_OTHER`, which are all half keys as well.

VCAP ES0 (Egress Stage 0) consists of a single table, therefore all filters go to the default chain 0 of the egress qdisc. The examples below assume the following definitions, which are made for clarity:

```
IS1()
{
 local lookup=$1
 echo $((10000 + 1000 * lookup))
}
IS2()
{
 local lookup=$1 local pag=$2
 echo $((20000 + 1000 * lookup + pag))
}
ES0()
{
 echo 0
}
```

Example of a VLAN popping rule on ingress for packets with VLAN ID 100, installed to VCAP IS1 lookup 0:

```
tc qdisc add dev $swp clsact
tc filter add dev $swp ingress chain 0 pref 49152 flower skip_sw action goto
chain $(IS1 0)
tc filter add dev $swp ingress chain $(IS1 0) pref 49152 flower skip_sw action
goto chain $(IS1 1)
tc filter add dev $swp ingress chain $(IS1 0) pref 1 protocol 802.1Q flower
skip_sw vlan_id 100 action vlan pop action goto chain $(IS1 1)
```

Example of a policing rule for packets sent to UDP port 5201, installed to VCAP IS2 lookup 1, PAG 0:

```
tc qdisc add dev $swp clsact
tc filter add dev $swp ingress chain 0 pref 49152 flower skip_sw action goto
chain $(IS1 0)
tc filter add dev $swp ingress chain $(IS1 0) pref 49152 flower skip_sw action
goto chain $(IS1 1)
tc filter add dev $swp ingress chain $(IS1 1) pref 49152 flower skip_sw action
goto chain $(IS1 2)
tc filter add dev $swp ingress chain $(IS1 2) pref 49152 flower skip_sw action
goto chain $(IS2 0 0)
```



```
tc filter add dev $swp ingress chain $(IS2 0 0) pref 1 protocol ipv4 flower
 skip_sw ip_proto udp dst_port 5201 action police rate 50mbit burst 64k conform-
 exceed drop/pipe action goto chain $(IS2 1 0)
```

Example of a rule which redirects all packets to the egress of another interface, installed to VCAP IS2 lookup 0, PAG 0:

```
tc qdisc add dev $swp clsact
tc filter add dev $swp ingress chain 0 pref 49152 flower skip_sw action goto
 chain $(IS1 0)
tc filter add dev $swp ingress chain $(IS1 0) pref 49152 flower skip_sw action
 goto chain $(IS1 1)
tc filter add dev $swp ingress chain $(IS1 1) pref 49152 flower skip_sw action
 goto chain $(IS1 2)
tc filter add dev $swp ingress chain $(IS1 2) pref 49152 flower skip_sw action
 goto chain $(IS2 0 0)
tc filter add dev $swp ingress chain $(IS2 0 0) pref 49152 flower skip_sw action
 goto chain $(IS2 1 0)
tc filter add dev $swp ingress chain $(IS2 0 0) pref 1 protocol all flower
 skip_sw action mirrored egress redirect dev $swp1
```

Example of a mirroring rule for packets with a given source IP address, installed to chain 0 (VCAP IS2 lookup 0, PAG 0):

```
tc qdisc add dev $swp clsact
tc filter add dev $swp ingress protocol ipv4 flower skip_sw src_ip 10.0.0.1
 action mirrored egress mirror dev $swp1
```

Note that in case of multiple mirroring rules, they all must share the same, single destination port. Example of a rule which drops packets from a certain MAC address, installed to chain 0:

```
tc qdisc add dev $swp clsact
tc filter add dev $swp ingress flower src_mac 00:01:02:03:04:05 action drop
```

Example of a rule which traps packets to a certain MAC address to the CPU, installed to chain 0:

```
tc qdisc add dev $swp clsact
tc filter add dev $swp ingress flower dst_mac 00:01:02:03:04:05 action trap
```

Example of a rule installed to VCAP IS1 lookup 0 which changes the QoS classification of packets with a certain source IP address:

```
tc qdisc add dev $swp clsact
tc filter add dev $swp ingress chain 0 pref 49152 flower skip_sw action goto
 chain $(IS1 0)
tc filter add dev $swp ingress chain $(IS1 0) pref 49152 flower skip_sw action
 goto chain $(IS1 1)
tc filter add dev $swp ingress chain $(IS1 1) pref 49152 flower skip_sw action
 goto chain $(IS1 2)
tc filter add dev $swp ingress chain $(IS1 0) pref 2 protocol ipv4 flower
 skip_sw src_ip 10.1.1.2 action skbedit priority 7 action goto chain $(IS1 1)
```

Example of a rule installed to VCAP IS1 lookup 0 which modifies the VLAN ID of packets on ingress. Notice that the port must be under a VLAN-aware bridge, and that both the old and the new VLAN ID needs to be in the

membership table of the ingress port. Additionally, the new VLAN ID needs to be in the membership table of the egress port:

```
ip link add br0 type bridge vlan_filtering 1 && ip link set br0 up
ip link set $swp master br0 && ip link set $swp up
ip link set $swp1 master br0 && ip link set $swp1 up
bridge vlan add dev $swp vid 200
bridge vlan add dev $swp vid 300
bridge vlan add dev $swp1 vid 300
tc qdisc add dev $swp clsact
tc filter add dev $swp ingress chain 0 pref 49152 flower
skip_sw action goto chain $(IS1 0)
tc filter add dev $swp ingress chain $(IS1 0) pref 49152
flower skip_sw action goto chain $(IS1 1)
tc filter add dev $swp ingress chain $(IS1 0) pref 3
protocol 802.1Q flower skip_sw vlan_id 200
action vlan modify id 300
action goto chain $(IS1 1)
```

Example of a rule installed to VCAP ES0 which modifies the VLAN ID on egress. Note that only the old VLAN ID needs to be in the bridge VLAN membership table of the egress port:

```
ip link set br0 type bridge vlan_filtering 1
bridge vlan add dev $swp1 vid 200
bridge vlan add dev $swp2 vid 200
tc filter add dev $swp2 egress chain $(ES0) pref 3 protocol 802.1Q flower
skip_sw vlan_id 200 vlan_prio 0 action vlan modify id 300 priority 7
```

Example of a rule installed to VCAP ES0 which pushes a VLAN header on egress for packets forwarded from a certain ingress port:

```
tc qdisc add dev $swp clsact
tc filter add dev $swp egress chain $(ES0) pref 1 flower skip_sw indev $swp2
action vlan push protocol 802.1Q id 100
```

### 7.6.3.3.11 Basic QoS classification

Using the Linux DCB subsystem, it is possible to configure the QoS class assigned by default to frames by the ingress port, as well as the QoS class corresponding to an IP DSCP value. It is not possible to configure QoS classification based on VLAN PCP. The switch is configured to always trust the VLAN PCP and use it as the QoS class.

Configuring and viewing the port-default QoS class can be done as follows:

```
dcb app replace dev $swp default-prio 5
dcb app show dev $swp default-prio
```

By default, the switch does not trust any IP DSCP value. Individual DSCP values can be trusted or untrusted by adding or removing them from the DCB Application Priority table:

```
dcb app add dev $swp dscp-prio CS4:4
dcb app del dev $swp dscp-prio CS4:4
```

The "CS4" is syntactic sugar added by the iproute2 dcb program. For more details, see section 4.2.2.1, "Class Selector Codepoints" at <https://datatracker.ietf.org/doc/html/rfc2474>.

### 7.6.3.3.12 Port mirroring

Port mirroring can be configured using matchall filters (which require the `CONFIG_NET_CLS_MATCHALL`, `CONFIG_NET_SCH_INGRESS` and `CONFIG_NET_ACT_MIRRED` kernel options):

```
tc qdisc add dev $swp clsact
Port mirroring of ingress traffic
tc filter add dev $swp ingress matchall skip_sw action mirred egress mirror dev
$swp1
Port mirroring of egress traffic
tc filter add dev $swp egress matchall skip_sw action mirred egress mirror dev
$swp1
```

Per-flow mirroring available with VCAP IS2 filters and per-port mirroring send packets to the same mirror port, therefore the same restriction of a single mirror port applies.

Frames injected over the NPI port are not egress-mirrored, since they are sent with the `BYPASS` bit in the injection frame header, and this bypasses the analyzer module (effectively also the mirroring logic).

### 7.6.3.3.13 Link aggregation

The switch can offload the Linux bonding and team interfaces, which are network stack representations for Link Aggregation Groups (LAG). LAGs can be offloaded only if their TX type is "hash", meaning that packets are distributed among the LAG members based on a hash created from packet headers. Currently, the driver hardcodes the hash to take into consideration the MAC SA, MAC DA, source IPv4 address, destination IPv4 address, TCP port, UDP port and IPv6 flow label.

A LAG can be configured to operate as either a standalone port, or be a part of a bridging domain with other ports (also in a LAG, or not):

```
Delete the bond0 interface that the kernel creates by default, it has
parameters incompatible with offloading
ip link del bond0
ip link add bond0 type bond mode 802.3ad
ip link set swp1 down && ip link set swp1 master bond0 && ip link set swp1 up
ip link set swp2 down && ip link set swp2 master bond0 && ip link set swp2 up
ip link add br0 type bridge && ip link set br0 up
ip link set bond0 master br0 && ip link set bond0 up
ip link set swp0 master br0 && ip link set swp0 up
```

When bridged, switch ports in a LAG operate as a single logical port. FDB entries learned dynamically by hardware (having the self flag) towards a LAG bridge port are reported in `bridge fdb show` as pointing to the numerically first physical port present in that LAG (in the example above, `swp1`).

It is also possible to install static FDB entries on offloaded LAG bridge ports:

```
bridge fdb add dev bond0 00:01:02:03:04:05 master static
```

### 7.6.3.3.14 Cut-through forwarding

Cut-through forwarding is the mechanism through which the switch starts the process of looking up the destination ports for a packet, and forwards towards those ports, before the entire packet has been received (as opposed to the store-and-forward mode).

The benefit is having lower forwarding latency for large packets. The downside is that frames with FCS errors are forwarded instead of being dropped. However, erroneous frames do not result in incorrect updates of the FDB or incorrect policer updates, since these processes are deferred inside the switch to the end of frame.

Since the switch starts the cut-through forwarding process after all packet headers (including IP, if any) have been processed, packets with large headers and small payload do not see the benefit of lower forwarding latency.

There are three cases that need special attention.

The first is when a packet is multicast (or flooded) to multiple destinations, one of which doesn't have cut-through forwarding enabled. The switch deals with this automatically by disabling cut-through forwarding for the frame towards all destination ports.

The second is when a packet is forwarded from a port of lower link speed towards a port of higher link speed. This is handled by the driver by only enabling cut-through forwarding on the egress ports that operate at the lowest link speed within a bridging domain.

The third is the incompatibility of cut-through forwarding with some of the other features, like frame preemption and Qbv queueMaxSDU (oversized frame dropping). The cut-through functionality is configurable per traffic class, and the driver automatically detects the traffic classes with incompatible features, and disables cut-through forwarding for them.

Cut-through forwarding is enabled by default, and its state is managed by the driver. It is possible to disable it manually:

```
tsntool ctset --device $swp --queue_stat 0x0
```

**7.6.3.3.15 Buffer reservation watermarks**

The queue system of the switch tracks the consumption of four resources:

- Resource 0 (BUF\_XXXXX\_I): Memory tracked per source port
- Resource 1 (REF\_XXXXX\_I): Frame references tracked per source port
- Resource 2 (BUF\_XXXXX\_E): Memory tracked per destination port
- Resource 3 (REF\_XXXXX\_E): Frame references tracked per destination port

For each resource type, there are 4 types of watermarks:

- xxx\_Q\_RSRV\_x: reservation per QoS class per port
- xxx\_PRIO\_SHR\_x: sharing watermark per QoS class across all ports
- xxx\_P\_RSRV\_x: reservation per port
- xxx\_COL\_SHR\_x: sharing watermark per color (drop precedence) across all ports

Reservation Watermarks are partitions of the total amount of a resource which are guaranteed to be available during congestion. Guarantees can be made per port (P\_RSRV), as well as per port and QoS class pair (Q\_RSRV). By combining resource types with reservation watermarks, the following reservation watermarks are available:

```
Amount of packet buffer
| per QoS class
| | reserved
| | | per egress port
| | | |
V V v v
BUF_Q_RSRV_E

Amount of packet buffer
| for all port's traffic classes
| | reserved
| | | per egress port
| | | |
```

```

V V v v
BUF_P_RSRV_E

Amount of packet buffer
| per QoS class
| | reserved
| | | per ingress port
| | | |
V V v v
BUF_Q_RSRV_I

Amount of packet buffer
| for all port's traffic classes
| | reserved
| | | per ingress port
| | | |
V V v v
BUF_P_RSRV_I

Amount of frame references
| per QoS class
| | reserved
| | | per egress port
| | | |
V V v v
REF_Q_RSRV_E

Amount of frame references
| for all port's traffic classes
| | reserved
| | | per egress port
| | | |
V V v v
REF_P_RSRV_E

Amount of frame references
| per QoS class
| | reserved
| | | per ingress port
| | | |
V V v v
REF_Q_RSRV_I

Amount of frame references
| for all port's traffic classes
| | reserved
| | | per ingress port
| | | |
V V v v
REF_P_RSRV_I

```

Sharing Watermarks are partitions of the total amount of a resource which can be used by all ports. Different watermarks for sharing can be configured individually per QoS class (`PRIO_SHR`) and per drop precedence (`COL_SHR`). There is no guarantee as to whether a shared resource will be available for a port, since all ports consume from the same sharing watermark (if their reservation watermark has been exhausted). By combining resource types with sharing watermarks, the following sharing watermarks are available:

```

Amount of buffer
| per QoS class

```

```

| | from the shared memory area
| | | for egress traffic
| | | |
V V v v
BUF_PRIO_SHR_E

Amount of buffer
| per color (drop precedence level)
| | from the shared memory area
| | | for egress traffic
| | | |
V V v v
BUF_COL_SHR_E

Amount of buffer
| per QoS class
| | from the shared memory area
| | | for ingress traffic
| | | |
V V v v
BUF_PRIO_SHR_I

Amount of buffer
| per color (drop precedence level)
| | from the shared memory area
| | | for ingress traffic
| | | |
V V v v
BUF_COL_SHR_I

Amount of frame references
| per QoS class
| | from the shared area
| | | for egress traffic
| | | |
V V v v
REF_PRIO_SHR_E

Amount of frame references
| per color (drop precedence level)
| | from the shared area
| | | for egress traffic
| | | |
V V v v
REF_COL_SHR_E

Amount of frame references
| per QoS class
| | from the shared area
| | | for ingress traffic
| | | |
V V v v
REF_PRIO_SHR_I

Amount of frame references
| per color (drop precedence level)
| | from the shared area
| | | for ingress traffic
| | | |
V V v v

```

REF\_COL\_SHR\_I

A diagram of the queue system's usage of watermarks for a frame can be seen below:

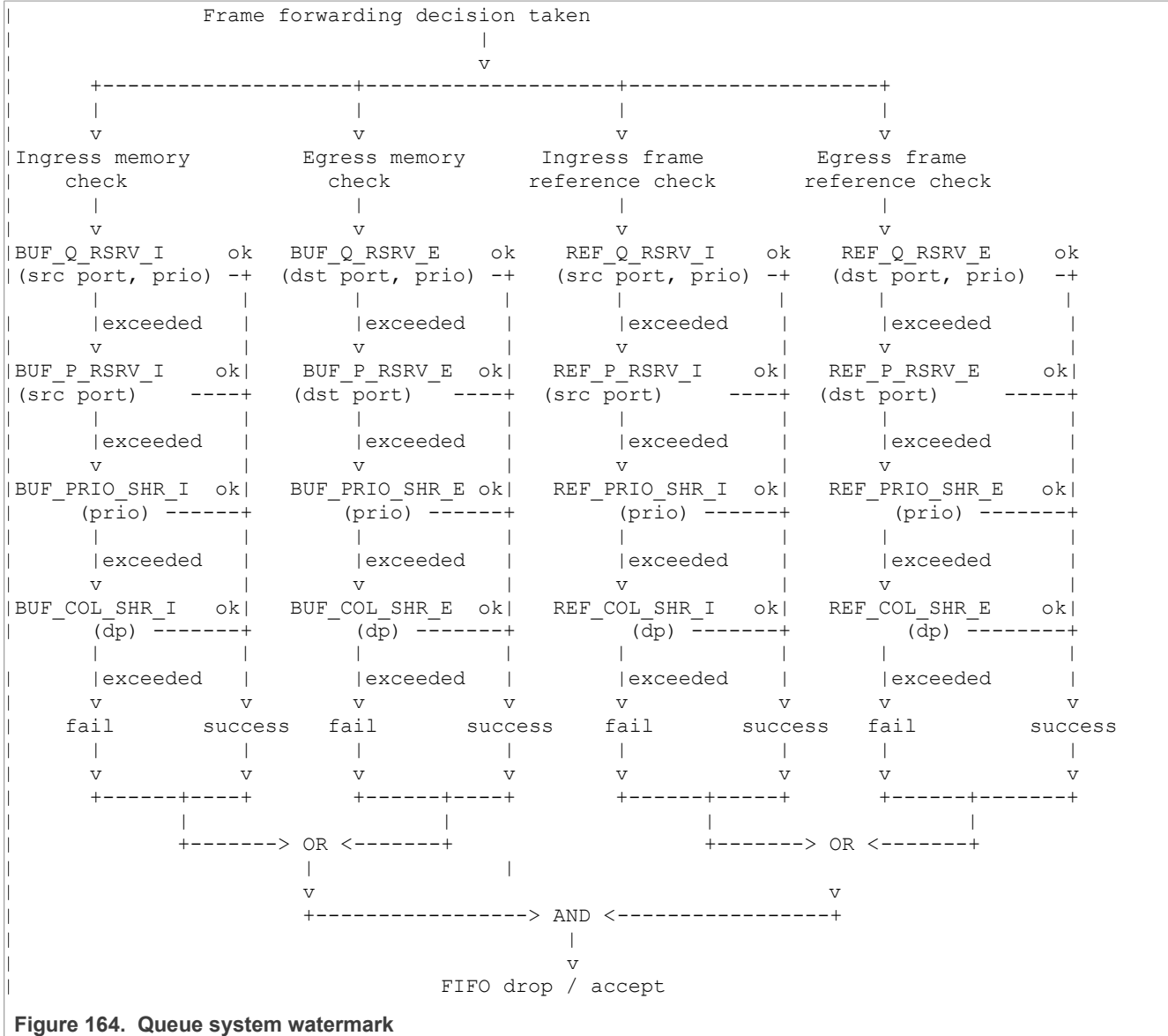


Figure 164. Queue system watermark

The driver models each of the 4 parallel lookups as a devlink-sb pool. The following definitions can be made:

```

SB_BUF=0 # The devlink-sb for frame buffers
SB_REF=1 # The devlink-sb for frame references
POOL_ING=0 # The pool for ingress traffic. Both devlink-sb instances have one of these.
POOL_EGR=1 # The pool for egress traffic. Both devlink-sb instances have one of these.

```

At least one (ingress or egress) memory pool and one (ingress or egress) frame reference pool need to have resources for frame acceptance to succeed.

The following watermarks are controlled explicitly through devlink-sb:

- BUF\_Q\_RSRV\_I

- BUF\_Q\_RSRV\_E
- REF\_Q\_RSRV\_I
- REF\_Q\_RSRV\_E
- BUF\_P\_RSRV\_I
- BUF\_P\_RSRV\_E
- REF\_P\_RSRV\_I
- REF\_P\_RSRV\_E

They are mapped to devlink-sb pools in the following way:

- BUF\_XXXX\_I is accessed when sb=\$SB\_BUF and pool=\$POOL\_ING
- REF\_XXXX\_I is accessed when sb=\$SB\_REF and pool=\$POOL\_ING
- BUF\_XXXX\_E is accessed when sb=\$SB\_BUF and pool=\$POOL\_EGR
- REF\_XXXX\_E is accessed when sb=\$SB\_REF and pool=\$POOL\_EGR

The following watermarks are controlled implicitly through devlink-sb:

- BUF\_COL\_SHR\_I
- BUF\_COL\_SHR\_E
- REF\_COL\_SHR\_I
- REF\_COL\_SHR\_E

The following watermarks are unused and disabled:

- BUF\_PRIO\_SHR\_I
- BUF\_PRIO\_SHR\_E
- REF\_PRIO\_SHR\_I
- REF\_PRIO\_SHR\_E

By default, the driver disables all resource reservations and lets the sharing watermarks use all resources. This is done in order to avoid overcommitting resources. The switch has 129840 bytes of frame buffer and 1092 frame references. This is visible when querying the pools:

```
$ devlink
sb pci/0000:00:00.5:
 sb 0 size 129840 ing_pools 1 eg_pools 1 ing_tcs 8 eg_tcs 8
 sb 1 size 1092 ing_pools 1 eg_pools 1 ing_tcs 8 eg_tcs 8
```

Configuring the sharing watermarks for COL\_SHR (dp=0) is done implicitly by modifying the corresponding pool size. By default, the pool size has maximum size, so this can be skipped:

```
devlink sb pool set pci/0000:00:00.5 sb $SB_BUF pool $POOL_ING size 129840
thtype static
```

Since by default there is no buffer reservation, the sharing watermark for drop precedence 0 (BUF\_COL\_SHR\_I (dp=0)) takes up the entire resource. The sharing watermark for drop precedence 1 takes none of it, and packets classified with a drop precedence of 1 are always dropped unless there is a reservation watermark for them. This behavior is not configurable in the driver.

Configuring a reservation watermark per port (P\_RSRV) can be done in the following way. This sets BUF\_P\_RSRV\_I (port 3) to 1000 bytes. After this command, the sharing watermarks are internally reconfigured with 1000 bytes less. For example, 129840 bytes to 128840 bytes:

```
devlink sb port pool set pci/0000:00:00.5/3 sb $SB_BUF pool $POOL_ING th 1000
```



Configuring the reservation watermarks per port-tc (`Q_RSRV`) can be done in the following way. This sets `BUF_Q_RSRV_I`(port 0, tc 0..7) to 3000 bytes. The sharing watermarks are again reconfigured with 24000 bytes less, to avoid overcommitment:

```
for tc in {0..7}; do
 devlink sb tc bind set pci/0000:00:00.5/0 sb 0 tc $tc type ingress pool
 POOL_ING th 3000
done
```

It is also possible to monitor the occupancy of the reservation watermarks (the sharing watermarks are exposed as pool sizes). Here we show the occupancy of the frame buffer (sb 0):

```
$ devlink sb occupancy show pci/0000:00:00.5 sb 0
swp0:
 pool: 0: 0/0 1: 0/0
 itc: 0(0): 0/0 1(0): 0/0 2(0): 0/0 3(0): 0/0
 4(0): 0/0 5(0): 0/0 6(0): 0/0 7(0): 0/0
 etc: 0(1): 0/0 1(1): 0/0 2(1): 0/0 3(1): 0/0
 4(1): 0/0 5(1): 0/0 6(1): 0/0 7(1): 0/0

swp1:
 pool: 0: 0/0 1: 0/0
 itc: 0(0): 0/0 1(0): 0/0 2(0): 0/0 3(0): 0/0
 4(0): 0/0 5(0): 0/0 6(0): 0/0 7(0): 0/0
 etc: 0(1): 0/0 1(1): 0/0 2(1): 0/0 3(1): 0/0
 4(1): 0/0 5(1): 0/0 6(1): 0/0 7(1): 0/0

swp2:
 pool: 0: 0/0 1: 0/0
 itc: 0(0): 0/0 1(0): 0/0 2(0): 0/0 3(0): 0/0
 4(0): 0/0 5(0): 0/0 6(0): 0/0 7(0): 0/0
 etc: 0(1): 0/0 1(1): 0/0 2(1): 0/0 3(1): 0/0
 4(1): 0/0 5(1): 0/0 6(1): 0/0 7(1): 0/0

swp3:
 pool: 0: 0/420 1: 0/1560
 itc: 0(0): 0/420 1(0): 0/0 2(0): 0/0 3(0): 0/0
 4(0): 0/0 5(0): 0/0 6(0): 0/0 7(0): 0/0
 etc: 0(1): 0/1560 1(1): 0/0 2(1): 0/0 3(1): 0/0
 4(1): 0/240 5(1): 0/0 6(1): 0/0 7(1): 0/120

swp4:
 pool: 0: 0/0 1: 0/0
 itc: 0(0): 0/0 1(0): 0/0 2(0): 0/0 3(0): 0/0
 4(0): 0/0 5(0): 0/0 6(0): 0/0 7(0): 0/0
 etc: 0(1): 0/0 1(1): 0/0 2(1): 0/0 3(1): 0/0
 4(1): 0/0 5(1): 0/0 6(1): 0/0 7(1): 0/0

pci/0000:00:00.5/5:
 pool: 0: 0/1560 1: 0/420
 itc: 0(0): 0/1560 1(0): 0/0 2(0): 0/0 3(0): 0/0
 4(0): 0/240 5(0): 0/0 6(0): 0/0 7(0): 0/120
 etc: 0(1): 0/420 1(1): 0/0 2(1): 0/0 3(1): 0/0
 4(1): 0/0 5(1): 0/0 6(1): 0/0 7(1): 0/0
```

The syntax for each watermark is "currently in use / maximum in use since last reading". Interpreted, the output states that:

- The ingress pool of `swp3` consumed 420 bytes of the reservation watermark since the last reading, and the egress pool consumed 1560 bytes of the reservation watermark. If reservation watermarks are exceeded, the buffers are consumed from the sharing space. The current buffer usage is zero (there is no packet pending in the queue system).
- The ingress pool of the CPU port (port 5 in this case, `pci/0000:00:00.5/5`) has the reverse situation: the ingress pool consumed 1560 bytes from the reservation watermark, and the egress pool consumed 420 bytes. Traffic was initiated over `swp3` from the CPU port.
- Viewed per traffic class, `swp3` consumed 420 octets on ingress for TC 0, 1560 octets on egress for TC 0, 240 octets on egress for TC 4, and 120 octets on egress for TC 7.
- Viewed per traffic class, the CPU port 5 consumed 1560 octets on ingress for TC 0, 240 octets on ingress for TC 4, 120 octets on ingress for TC 7 and 420 octets on egress for TC 0.

It should be noted that the above resource consumptions indicate that only one packet was in flight through the queue system at any given time, therefore there was no congestion. Frame buffer cells are 60 bytes in size, and the buffer size consumed by a frame is rounded up to the nearest multiple of buffer cells. A 1538 byte frame, corresponding to a full MTU plus IFH overhead, will consume 1560 bytes (26 buffer cells).

### 7.6.3.4 Known limitations

List of major known limitations for the current driver release.

#### 7.6.3.4.1 Lack of flow control on NPI port

The LS1028A Felix switch suffers from the A-050484 erratum ("Ethernet flow control not functional on L2 switch NPI port when XFH is used"). In the default configuration, where the control interface is configured to be the 2.5 Gbit/s `eno2/swp4` port pair, and when the external ports are running at 1 Gbit/s, the switch enters congestion for traffic sent to switch ports from the CPU. Traffic streams such as `iperf3 TCP` see low throughput (~300 Mbit/s) due to bursty packet drops under congestion inside the switch which trigger the TCP congestion control algorithms.

One possible workaround which partially masks the issue is to move the CPU port to the 1G port 5 through the device tree. Depending on kernel version, the relevant nodes are either in `arch/arm64/boot/dts/freescale/fsl-ls1028a-rdb.dts` or `arch/arm64/boot/dts/freescale/fsl-ls1028a.dtsi`.

The generalized steps are listed below:

1. Enable `eno3` and `swp5` (insert these new statements):

```
&enetc_port3 {
 status = "okay";
};
&mscc_felix_port5 {
 status = "okay";
};
```

2. Delete the property of the `mscc_felix_port4` node telling DSA that its attached master is `eno2`:

```
&mscc_felix_port4 {
 ethernet = <&enetc_port2>; // delete this line
};
```

3. Add a new property beneath the newly created `mscc_felix_port5` node, telling DSA that the master interface is `eno3`:

```
&mscc_felix_port5 {
 ethernet = <&enetc_port3>;
};
```

Alternatively, the use of the `ocelot-8021q` DSA tagging protocol bypasses the erratum completely. For more details, see [Section 7.6.3.3.2.3](#).

## 7.7 IEEE 1588/802.1AS

### 7.7.1 Introduction

IEEE 1588 is the IEEE standard for a precision clock synchronization protocol for networked measurement and control systems.

IEEE 802.1AS is the IEEE standard for local and metropolitan area networks – timing and synchronization for time-sensitive applications in bridged local area networks. It specifies the use of IEEE 1588 specifications where applicable in the context of IEEE Std 802.1D-2004 and IEEE Std 802.1Q-2005. The NXP QorIQ platform provides hardware assist for 1588 compliant time stamping with the 1588 timer module to support applications of IEEE 1588/802.1AS.

**Note:** In this document, IEEE 1588 mentioned is IEEE 1588-2008, and IEEE 802.1AS mentioned is IEEE 802.1AS-2011.

### 7.7.2 IEEE 1588 device types

There are five basic types of PTP devices in IEEE 1588:

- **Ordinary clock:** A clock that has a single Precision Time Protocol (PTP) port in a domain and maintains the timescale used in the domain. It may serve as a source of time (be a master clock) or may synchronize to another clock (be a slave clock).
- **Boundary clock:** A clock that has multiple Precision Time Protocol (PTP) ports in a domain and maintains the timescale used in the domain. It may serve as a source of time (be a master clock) or may synchronize to another clock (be a slave clock).
- **End-to-end transparent clock:** A transparent clock that supports the use of the end-to-end delay measurement mechanism between slave clocks and the master clock.
- **Peer-to-peer transparent clock:** A transparent clock provides corrections for the propagation delay of the link connected to the port receiving the PTP event message, in addition to providing the Precision Time Protocol (PTP) event transit time information. In the presence of peer-to-peer transparent clocks, the delay measurements between slave clocks and the master clock are performed using the peer-to-peer delay measurement mechanism.
- **Management node:** A device that configures and monitors clocks.

**Note:** Transparent clock is a device that measures the time taken for a Precision Time Protocol (PTP) event message to transit the device and provides this information to clocks receiving this PTP event message.

### 7.7.3 IEEE 802.1AS time-aware systems

In gPTP, there are only two types of time-aware systems: end stations and Bridges. While, IEEE 1588 has ordinary clocks, boundary clocks, end-to-end transparent clocks, and P2P transparent clocks.

A time-aware end station corresponds to an IEEE 1588 ordinary clock. A time-aware Bridge is a type of IEEE 1588 boundary clock, where its operation is very tightly defined that the time-aware Bridge with Ethernet ports is shown mathematically equivalent to a P2P transparent clock in terms of how the synchronization is performed.

- **Time-aware end station:** An end station that is capable of acting as the source of synchronized time on the network, or destination of synchronized time using the IEEE 802.1AS protocol, or both.
- **Time-aware bridge:** A bridge that is capable of communicating the synchronized time received on one port to other ports using the IEEE 802.1AS protocol.

## 7.7.4 linuxptp stack

### Features of open source linuxptp

- Supports hardware and software time stamping via the Linux SO\_TIMESTAMPING socket option.
- Supports the Linux PTP Hardware Clock (PHC) subsystem by using the clock\_gettime family of calls, including the clock\_adjtimex system call.
- Implements Boundary Clock (BC), Ordinary Clock (OC) and Transparent Clock (TC).
- Transport over UDP/IPv4, UDP/IPv6, and raw Ethernet (Layer 2).
- Supports IEEE 802.1AS-2011 in the role of end station.
- Modular design allowing painless addition of new transports and clock servos.
- Implements unicast operation.
- Supports a number of profiles, including:
  - The automotive profile.
  - The default 1588 profile.
  - The enterprise profile.
  - The telecom profiles G.8265.1, G.8275.1, and G.8275.2.
  - Supports the NetSync Monitor protocol.
- Implements Peer to peer one-step.
- Supports bonded, IPoIB, and vlan interfaces.

**Note:** These are the features listed on linuxptp website. The linuxptp used in Layerscape LDP ubuntu installed by "apt install" may be the old version, which does not support all these features.

## 7.7.5 Quick Start for IEEE 1588

### 7.7.5.1 Ordinary clock verification

To perform ordinary clock verification, Connect two network interfaces in back-to-back manner for two boards. Make sure there is no MAC address conflict on the boards, the IP addresses are set properly and ping the test network. Run linuxptp on each board. For example, eth0 is used on each board.

```
$ ptp4l -i eth0 -m
```

On running the above command, time synchronization starts and the slave linuxptp, which is selected automatically synchronizes to master displaying the synchronization messages. For example, time offset, path delay and so on.

A sample log is given below:

```
ptp4l[878.504]: master offset -10 s2 freq -2508 path delay 1826
ptp4l[878.629]: master offset -5 s2 freq -2502 path delay 1826
ptp4l[878.754]: master offset 0 s2 freq -2495 path delay 1826
ptp4l[878.879]: master offset 9 s2 freq -2482 path delay 1826
ptp4l[879.004]: master offset -9 s2 freq -2507 path delay 1826
ptp4l[879.129]: master offset -24 s2 freq -2530 path delay 1826
ptp4l[879.255]: master offset -7 s2 freq -2508 path delay 1826
ptp4l[879.380]: master offset -2 s2 freq -2502 path delay 1826
ptp4l[879.505]: master offset -17 s2 freq -2524 path delay 1827
ptp4l[879.630]: master offset 6 s2 freq -2493 path delay 1827
ptp4l[879.755]: master offset 6 s2 freq -2492 path delay 1827
ptp4l[879.880]: master offset 0 s2 freq -2500 path delay 1827
```

**Some other options of ptp4l**

```
Delay Mechanism
-E E2E, delay request-response (default)
-P P2P, peer delay mechanism
Network Transport
-2 IEEE 802.3
-4 UDP IPV4 (default)
-6 UDP IPV6
```

**Note:** You must keep the same delay mechanism and network transport protocol used on two boards.

**Configure master mode**

By default, the master clock is selected by BMC (Best Master Clock) algorithm.

To appoint a specific clock as master, a lower "priority1" attribute value than the other clock can be set. Lower value takes precedence. For example in this current case, specify one clock as master with below option (the other clock is using default priority1 value 128).

```
--priority1=127
```

**One-step timestamping**

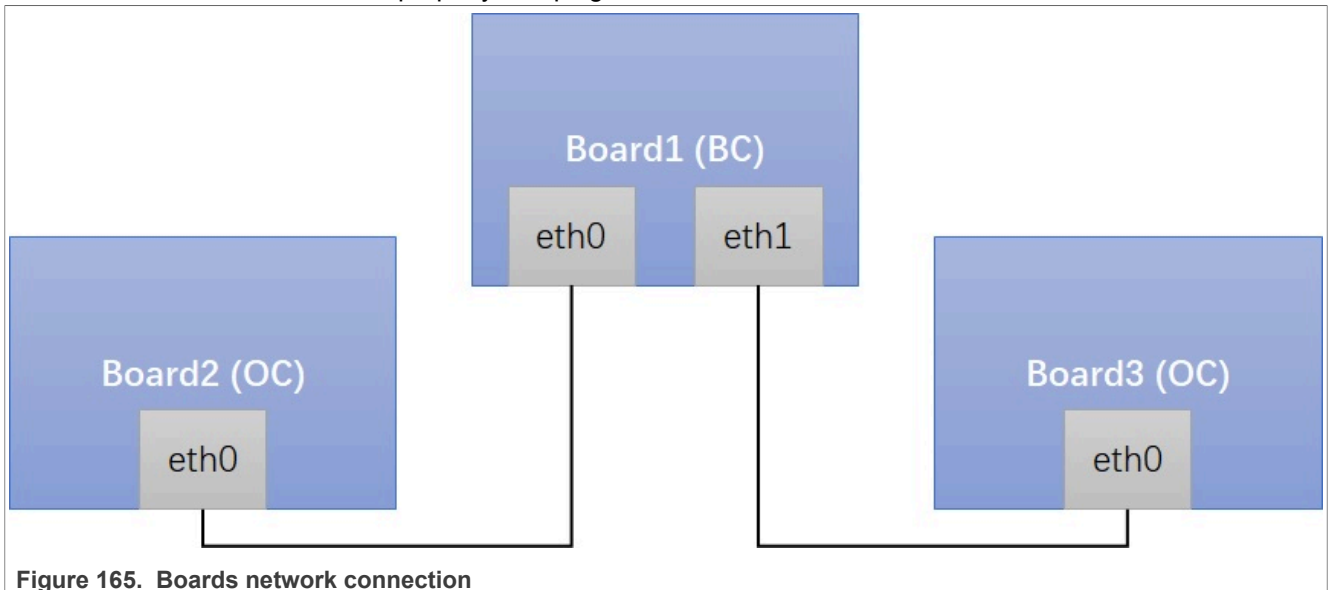
Currently one-step timestamping is supported only on DPAA2. To use one-step timestamping, add below option for ptp4l running:

```
--twoStepFlag=0
```

**7.7.5.2 Boundary clock verification**

To perform boundary clock verification, atleast three boards are needed.

[Figure 165](#) shows three boards network connection. Ensure that there is no MAC address conflict on the boards, the IP addresses are set properly and ping the test network.



**Figure 165. Boards network connection**

Perform the following steps to connect the boards:

1. Run `linuxptp` on Board1 (boundary clock).

```
$ ptp4l -i eth0 -i eth1 -m
```

2. Run `linuxptp` on Board2/Board3 (ordinary clock).

```
$ ptp4l -i eth0 -m
```

On running the above command, time synchronization will start, and the slaves `linuxptp` selected automatically will synchronize to the unique master with synchronization messages displayed such as time offset, path delay and so on. For example:

```
ptp4l[878.504]: master offset -10 s2 freq -2508 path delay 1826
ptp4l[878.629]: master offset -5 s2 freq -2502 path delay 1826
ptp4l[878.754]: master offset 0 s2 freq -2495 path delay 1826
ptp4l[878.879]: master offset 9 s2 freq -2482 path delay 1826
ptp4l[879.004]: master offset -9 s2 freq -2507 path delay 1826
ptp4l[879.129]: master offset -24 s2 freq -2530 path delay 1826
ptp4l[879.255]: master offset -7 s2 freq -2508 path delay 1826
ptp4l[879.380]: master offset -2 s2 freq -2502 path delay 1826
ptp4l[879.505]: master offset -17 s2 freq -2524 path delay 1827
ptp4l[879.630]: master offset 6 s2 freq -2493 path delay 1827
ptp4l[879.755]: master offset 6 s2 freq -2492 path delay 1827
ptp4l[879.880]: master offset 0 s2 freq -2500 path delay 1827
```

### Some other options of `ptp4l`

```
Delay Mechanism
-E E2E, delay request-response (default)
-P P2P, peer delay mechanism
Network Transport
-2 IEEE 802.3
-4 UDP IPV4 (default)
-6 UDP IPV6
```

**Note:** You must keep same delay mechanism and network transport protocol used on these boards.

### Configure master mode

By default, the master clock is selected by BMC (Best Master Clock) algorithm. To appoint a specific clock as master, a lower "priority1" attribute value than the other clock can be set. Lower value takes precedence. For example in the current case, specify one clock as master with below option (The other clocks is using default priority1 value 128):

```
--priority1=127
```

### One-step timestamping

Currently one-step timestamping is supported only on DPAA2.

To use one-step timestamping, add the below option for running `ptp4l`:

```
--twoStepFlag=0
```

## 7.7.6 Quick Start for IEEE 802.1AS

The following sections describe the steps for implementing IEEE 802.1AS on NXP boards.

**7.7.6.1 Time-aware end station verification**

To perform time-aware end station verification, perform the following steps:

1. Connect two network interfaces in back-to-back way for two boards. Ensure that no MAC address conflict on the boards, IP address set properly, and the ping test works.
2. Remove below option in /usr/share/doc/linuxptp/gPTP.cfg to use default larger value, because estimate path delay including PHY delay may exceed 800ns since hardware is using MAC timestamping.

```
neighborPropDelayThresh 800
```

3. Run linuxptp on each board. For example, eth0 is used on each board.

```
$ ptp4l -i eth0 -f /usr/share/doc/linuxptp/gPTP.cfg -m
```

Time synchronization will start and the slave linuxptp, which is selected automatically synchronizes to master with the synchronization messages printed. For example, time offset, path delay and so on.

The sample log is given below:

```
ptp4l[3453.972]: rms 5 max 8 freq -325 +/- 6 delay 781 +/- 0
ptp4l[3454.973]: rms 5 max 9 freq -321 +/- 7 delay 782 +/- 0
ptp4l[3455.973]: rms 4 max 6 freq -321 +/- 6 delay 782 +/- 0
ptp4l[3456.974]: rms 4 max 6 freq -317 +/- 4 delay 782 +/- 0
ptp4l[3457.975]: rms 3 max 4 freq -322 +/- 3 delay 782 +/- 0
ptp4l[3458.976]: rms 4 max 6 freq -320 +/- 5 delay 782 +/- 0
ptp4l[3459.976]: rms 4 max 9 freq -322 +/- 6 delay 782 +/- 0
ptp4l[3460.977]: rms 5 max 9 freq -324 +/- 6 delay 782 +/- 0
ptp4l[3461.978]: rms 5 max 9 freq -326 +/- 7 delay 782 +/- 0
ptp4l[3462.978]: rms 3 max 6 freq -320 +/- 3 delay 782 +/- 0
ptp4l[3463.979]: rms 3 max 6 freq -317 +/- 3 delay 782 +/- 0
ptp4l[3464.980]: rms 5 max 9 freq -321 +/- 7 delay 782 +/- 0
```

**Configure master mode**

By default, the master clock is selected by BMC (Best Master Clock) algorithm.

To appoint a specific clock as master, a lower "priority1" attribute value than the other clock can be set. Lower value takes precedence. For example in the current case, specify one clock as master with below option (the other clock is using priority1 248 in the gPTP.cfg file):

```
--priority1=247
```

**7.7.7 Quick start for external signals**

**7.7.7.1 PPS signal**

This topic of PPS (Pulses Per Second) signal applies to most network controllers of Layerscape, including eTSEC, DPAA1, DPAA2, and ENETC. For PPS signal usage on TSN switch of LS1028A whose 1588 timer has difference hardware implementation, refer to topic "Programmable PTP pins".

PPS signal is output through 1588 timer pulse out pin. The QorIQ PTP driver configured fixed interval period pulse (FIPER) generator as PPS signal in default. The number of FIPERs supported by different network controllers may be different.

- eTSEC/DPAA1 support 2 FIPERs
- DPAA2/ENETC support 3 FIPERs (FIPER3 not routed out on Layerscape LDP release boards)

## PPS interrupt verification

A quick way to verify PPS working or not, is verifying PPS interrupt through sysfs. Check PTP clock index for network controller

Below is an example, and the PTP clock index is 1 in the example.

```
ethtool -T eth1
Time stamping parameters for eth1:
Capabilities:
 hardware-transmit (SOF_TIMESTAMPING_TX_HARDWARE)
 hardware-receive (SOF_TIMESTAMPING_RX_HARDWARE)
 hardware-raw-clock (SOF_TIMESTAMPING_RAW_HARDWARE)
PTP Hardware Clock: 1
Hardware Transmit Timestamp Modes:
 off (HWTSTAMP_TX_OFF)
 on (HWTSTAMP_TX_ON)
Hardware Receive Filter Modes:
 none (HWTSTAMP_FILTER_NONE)
 all (HWTSTAMP_FILTER_ALL)
```

### 2. Enable PPS event

```
echo 1 > /sys/class/ptp/ptp1/pps_enable
```

### 3. Check system clock timestamp of PPS event

Make sure operate on the right pps device.

```
cat /sys/class/pps/pps0/name
ptp1
```

Check the latest timestamp of PPS event. The message format is <system clock timestamp>#<sequence number>.

```
cat /sys/class/pps/pps0/assert
1600654093.218484412#556
cat /sys/class/pps/pps0/assert
1600654094.218469173#557
cat /sys/class/pps/pps0/assert
1600654095.218467293#558
```

## PPS signal

To use the actual PPS signal on the board pin. The signal multiplexing should be configured properly, through RCW, or/and FPGA/CPLD. Refer to specific SoC and board reference manuals for that.

### 7.7.7.2 External trigger signal

This topic of external trigger signal applies to most network controllers of Layerscape, including eTSEC, DPAA1, DPAA2, and ENETC. For external trigger signal usage on TSN switch of LS1028A whose 1588 timer has difference hardware implementation, refer to topic "Programmable PTP pins".

The external trigger signal is an input signal supported by 1588 timer to capture 1588 timestamp of the trigger signal. There are two external trigger signals supported on hardware.

#### External trigger verification (loopback mode)



A quick way to verify external trigger function is with loopback mode through sysfs. The controller supports FIPERn pulse looped back to external trigger n internally. Here give the steps to verify external trigger 1, the external trigger 2 could be verified similarly.

### 1. Check PTP clock index for network controller

Below is an example, and the PTP clock index is 1 in the example.

```
ethtool -T eth1
Time stamping parameters for eth1:
Capabilities:
 hardware-transmit (SOF_TIMESTAMPING_TX_HARDWARE)
 hardware-receive (SOF_TIMESTAMPING_RX_HARDWARE)
 hardware-raw-clock (SOF_TIMESTAMPING_RAW_HARDWARE)
PTP Hardware Clock: 1
Hardware Transmit Timestamp Modes:
 off (HWTSTAMP_TX_OFF)
 on (HWTSTAMP_TX_ON)
Hardware Receive Filter Modes:
 none (HWTSTAMP_FILTER_NONE)
 all (HWTSTAMP_FILTER_ALL)
```

### 2. Enable FIPER1 loopback mode

```
echo 1 > /sys/kernel/debug/dprtc.0/fiper1-loopback
```

Note: in the example, the dprtc.0 is the device name of ptp1 which is DPAA2 1588 timer (DPRTC). If not sure the 1588 timer device name, the find command could be used to find fiper1-loopback file for QorIQ 1588 timer.

```
find /sys/kernel/debug/ -name fiper1-loopback
```

### 3. Enable external trigger 1

```
echo 0 1 > /sys/class/ptp/ptp1/extts_enable
```

The first parameter "0" stands for the index of external trigger, using the first external trigger here.

The second parameter "1" stands for enable or not.

### 4. Check 1588 timestamp

The message format is "<external trigger index> <timestamp seconds> <timestamp nanoseconds>".

Since the FIPER1 is configured as PPS signal in default. The timestamp results are almost on integer seconds.

```
cat /sys/class/ptp/ptp1/fifo
0 4860 4
cat /sys/class/ptp/ptp1/fifo
0 4861 4
cat /sys/class/ptp/ptp1/fifo
0 4862 4
cat /sys/class/ptp/ptp1/fifo
0 4863 4
```

## External trigger signal

To use the actual external trigger pin for signal input on the board. The signal multiplexing should be configured properly, through RCW, or/and FPGA/CPLD. Refer to specific SoC and board reference manuals for that.

### 7.7.7.3 Programmable PTP pins

This topic of programmable PTP pins applies to 1588 timer on TSN switch of LS1028A. The SWITCH\_1588\_DATx signals are programmable to work as PPS, periodic clock, or external trigger. Currently driver only supports PPS and periodic clock functions.

#### PPS/Periodic clock

Here are steps to configure SWITCH\_1588\_DAT0 signal. Similar method could be used to configure other signals.

#### 1. Check PTP clock index for network controller

The PTP clock index is 1 in the example.

```
ethtool -T swp0
Time stamping parameters for swp0:
Capabilities:
 hardware-transmit (SOF_TIMESTAMPING_TX_HARDWARE)
 software-transmit (SOF_TIMESTAMPING_TX_SOFTWARE)
 hardware-receive (SOF_TIMESTAMPING_RX_HARDWARE)
 software-receive (SOF_TIMESTAMPING_RX_SOFTWARE)
 software-system-clock (SOF_TIMESTAMPING_SOFTWARE)
 hardware-raw-clock (SOF_TIMESTAMPING_RAW_HARDWARE)
PTP Hardware Clock: 1
Hardware Transmit Timestamp Modes:
 off (HWTSTAMP_TX_OFF)
 on (HWTSTAMP_TX_ON)
 one-step-sync (HWTSTAMP_TX_ONESTEP_SYNC)
Hardware Receive Filter Modes:
 none (HWTSTAMP_FILTER_NONE)
 all (HWTSTAMP_FILTER_ALL)
```

#### 2. Set SWITCH\_1588\_DAT0 function as periodic clock

```
echo 2 0 > /sys/class/ptp/ptp1/pins/switch_1588_dat0
```

The first parameter stands for pin function. Driver now supports only periodic clock function (PPS is a special case of it) which value is 2.

The second parameter stands for the channel we set. It should be a value which has not been used.

#### 3. Configure SWITCH\_1588\_DAT0 to PPS signal or periodic clock

```
echo '0 0 0 1 0' > /sys/class/ptp/ptp1/period
```

The parameters' format is "<channel> <start.sec> <start.nsec> <period.sec> <period.nsec>".

So current command is configuring a PPS signal to start immediately. Similarly, other periodic clock could be configured too.

Note: absolute start time is not supported by hardware, so the start time must be "0 0". But nsec could be accepted for PPS phase adjustment if it's configuring PPS.

### 7.7.7.4 PTP device tree node configuration

This topic of PTP device tree node applies to most network controllers of Layerscape, including eTSEC, DPAA1, DPAA2, and ENETC. The 1588 timer on these controllers is using QorIQ PTP clock driver, which initializes 1588 timer registers by calculating values for registers automatically, if no properties of dts node provided.

If users want a custom configuration on the 1588 timer, they can provide related properties in dts node. In this way, users could do things like, selecting other reference clock source, and configuring nominal clock period, FIPERs period, and output clock period.

See kernel doc for how to configure QoriQ PTP device tree node.

See the kernel doc, `Documentation/devicetree/bindings/ptp/ptp-qoriq.txt` for steps to configure the QoriQ PTP device tree node.

### 7.7.8 Known issues and limitations

1. If `linuxptp` has not been installed in ubuntu, install it. And make sure stop and disable the default `ptp4l` service which may be using wrong configuration.

```
apt update
apt install linuxptp
systemctl stop ptp4l.service
systemctl disable ptp4l.service
```

2. For L2 switch, like TSN switch on LS1028ARDB, once it is bridge mode working on L2 Ethernet layer, `linuxptp` should also run over L2 protocol with `-2` option.

3. If below error is reported during `ptp4l` running, just try to increase `tx_timestamp_timeout`. User space may need to wait longer for TX timestamp. For example, use option `--tx_timestamp_timeout=20` when run `ptp4l`.

```
ptp4l[1560.726]: timed out while polling for tx timestamp
ptp4l[1560.726]: increasing tx_timestamp_timeout may correct this issue, but it
is likely caused by a driver bug
```

4. There may be smmu error reported when run `ptp4l` with upstream DPAA Ethernet driver. The workaround is changing U-Boot bootargs.

```
setenv bootargs iommu.passthrough=1 $bootargs
```

5. The `linuxptp` version lower than v1.8 (including v1.8) does not support command line argument for configuration option. Configuration option must be in `cfg` file.

For example, `--priority1=127` is not supported. To set this configuration option, just configure it in current `cfg` file under `[global]` section. (If no `cfg` file is used, create one and use `"-f <cfg_file>"` argument during running.)

```
[global]
priority1 127
```

## 7.8 Time Sensitive Networking (TSN)

This section provides a complete overview of steps involved in running the TSN demo and possible scenario and testing methods

Time Sensitive Networking (TSN) is an extension to traditional Ethernet networks, providing a set of standards compatible with IEEE 802.1 and 802.3. These extensions are intended to address the limitations of standard Ethernet in sectors ranging from industrial and automotive applications to live audio and video systems. Applications running over traditional Ethernet must be designed very robust in order to withstand corner cases such as packet loss, delay or even reordering. TSN aims to provide guarantees for deterministic latency and packet loss under congestion, allowing critical and non-critical traffic to be converged in the same network.

This section describes the process and use cases for implementing TSN features on the LS1028ARDB boards.

### 7.8.1 Using TSN features on LS1028ARDB

The **tsntool** is an application configuration tool to configure the TSN capability on LS1028ARDB. The files **/usr/bin/tsntool** and **/usr/lib/libtsn.so** are located in the rootfs. Run **tsntool** to start the setting shell.

#### 7.8.1.1 Tsntool User Manual

Tsntool is a tool to set the TSN capability of the Ethernet ports of TSN Endpoint and TSN switch. This document describes how to use tsntool for NXP's LS1028ARDB hardware platform.

**Note:**

- *Tsntool supports only the LS1028ARDB platform. Other hardware platforms might be supported in future.*
- *Current tsntool binary and lib are default for kernel version v4.19. If you want to use kernel v4.13, you need to clone the tsntool source code, and compile the tag point v0.2 source code.*

##### 7.8.1.1.1 Getting the source code

The tsntool source repo is located at <https://github.com/nxp-gorik/tsntool.git>.

You can build it by using the following command:

```
bitbake tsntool
```

##### 7.8.1.1.2 Tsn tool commands

The following table lists the TSN tool commands and their description.

Table 142. TSN tool commands and their description

Command	Description
<b>help</b>	Lists commands support
<b>version</b>	Shows software version
<b>verbose</b>	Debugs on/off for tsntool
<b>quit</b>	Quits prompt mode
<b>qbvset</b>	Sets time gate scheduling config for <ifname>
<b>qbvget</b>	Gets time scheduling entries for <ifname>
<b>cbstreamidset</b>	Sets stream identification table
<b>cbstreamidget</b>	Gets stream identification table and counters
<b>qcisfiset</b>	Sets stream filter instance
<b>qcisfiget</b>	Gets stream filter instance
<b>qcisgiset</b>	Sets stream gate instance
<b>qcisgiget</b>	Gets stream gate instance
<b>qcisfcounterget</b>	Gets stream filter counters
<b>qcifmiset</b>	Sets flow metering instance
<b>qcifmiget</b>	Gets flow metering instance
<b>cbssset</b>	Sets TCs credit-based shaper configure

Table 142. TSN tool commands and their description...continued

Command	Description
<b>cbsget</b>	Gets TCs credit-based shaper status
<b>qbuset</b>	Sets one 8-bits vector showing the preemptable traffic class
<b>qbudgetstatus</b>	Not supported
<b>tsdset</b>	Not supported
<b>tsdget</b>	Not supported
<b>ctset</b>	Sets cut through queue status (specific for Is1028 switch)
<b>cbgen</b>	Sets sequence generate configure (specific for Is1028 switch)
<b>cbrec</b>	Sets sequence recover configure (specific for Is1028 switch)
<b>dscpset</b>	Sets queues map to DSCP of Qos tag (specific for Is1028 switch)
<b>sendpkt</b>	Not supported
<b>regtool</b>	Register read/write of bar0 of PFs (specific for Is1028 enetc)
<b>ptptool</b>	ptptool get/set ptp timestamp. Useful commands: <pre>#get ptp0 clock time ptptool -g</pre> <pre>#get ptp1 clock time ptptool -g -d /dev/ptp1</pre>
<b>dscpset</b>	Set queues map to DSCP of QoS tag (specific for Is1028 switch)
<b>qcicapget</b>	Gets qci instance's max capability
<b>tsncapget</b>	Gets device's tsn capability

### 7.8.1.1.3 Tsntool commands and parameters

This section lists the tsntool commands along with the parameters and arguments, with which they can be used.

Table 143. qbvset

Parameter <argument>	Description
<b>--device &lt;ifname&gt;</b>	An interface such as <code>eno0/swp0</code>
<b>--entryfile &lt;filename&gt;</b>	A file script to input gatelist format. It has the following arguments: <pre># 'NUMBER' 'GATE_VALUE' 'TIME_LONG'</pre> <ul style="list-style-type: none"> <li>NUMBER: # 't' or 'T' head. Plus entry number. Duplicate entry number will result in an error.</li> <li>GATE_VALUE: # format: xxxxxxxb . # The MSB corresponds to traffic class 7. The LSB corresponds to traffic class 0. # A bit value of 0 indicates closed, whereas, a bit value of 1 indicates open.</li> <li>TIME_LONG: # nanoseconds. Do not input 0 time long. t0 11101111b 10000 t1 11011111b 10000</li> </ul> <p><b>Note:</b> <i>Entryfile parameter must be set. If not set, there will be a vi text editor prompt, "require to input the gate list".</i></p>
<b>--basetime &lt;value&gt;</b>	AdminBaseTime A 64-bit hex value means nanosecond until now. OR a value input format as: <code>Seconds.nanoSeconds</code> Example: <code>115.532038675</code>

Table 143. `qbvset...continued`

Parameter <argument>	Description
<code>--cycletime &lt;value&gt;</code>	AdminCycleTime
<code>--cycleextend &lt;value&gt;</code>	AdminCycleTimeExtension
<code>--enable   --disable</code>	<ul style="list-style-type: none"> <li>enable: enables the <code>qbv</code> for this port</li> <li>disable: disables the <code>qbv</code> for this port</li> </ul> Default is set to enable, if no enable or disable input
<code>--maxsdu &lt;value&gt;</code>	queueMaxSDU
<code>--initgate &lt;value&gt;</code>	AdminGateStates
<code>--configchange</code>	ConfigChange. Default set to 1.
<code>--configchangetime &lt;value&gt;</code>	ConfigChangeTime

Table 144. `qbvget`

Parameter <argument>	Description
<code>--device &lt;ifname&gt;</code>	An interface such as <code>eno0/swp0</code>

Table 145. `cbstreamidset`

Parameter <argument>	Description
<code>--enable   --disable</code>	<ul style="list-style-type: none"> <li>enable: Enables the entry for this index.</li> <li>disable: Disables the entry for this index. Default is set to <code>enable</code> if no enable or disable input</li> </ul>
<code>--index &lt;value&gt;</code>	Index entry number in this controller. Mandatory parameter.
<code>--device &lt;string&gt;</code>	An interface such as <code>eno0/swp0</code>
<code>--streamhandle &lt;value&gt;</code>	tsnStreamIdHandle
<code>--infacoutputport &lt;value&gt;</code>	tsnStreamIdInFacOutputPortList
<code>--outfacoutputport &lt;value&gt;</code>	tsnStreamIdOutFacOutputPortList
<code>--infacinport &lt;value&gt;</code>	tsnStreamIdInFacInputPortList
<code>--outfacinport &lt;value&gt;</code>	tsnStreamIdOutFacInputPortList
<code>--nullstreamid   --sourcemacvid   --destmacvid   --ipstreamid</code>	tsnStreamIdIdentificationType: <ul style="list-style-type: none"> <li>-nullstreamid: Null Stream identification</li> <li>-sourcemacvid: Source MAC and VLAN Stream identification</li> <li>-destmacvid: not supported</li> <li>-ipstreamid: not supported</li> </ul>
<code>--nullldmac &lt;value&gt;</code>	tsnCpeNullDownDestMac
<code>--nulltagged &lt;value&gt;</code>	tsnCpeNullDownTagged
<code>--nullvid &lt;value&gt;</code>	tsnCpeNullDownVlan
<code>--sourcemac &lt;value&gt;</code>	tsnCpeSmacVlanDownSrcMac
<code>--sourcetagged &lt;value&gt;</code>	tsnCpeSmacVlanDownTagged
<code>--sourcevid &lt;value&gt;</code>	tsnCpeSmacVlanDownVlan

Table 146. cbstreamidset

Parameter <argument>	Description
--device <ifname>	An interface such as <code>eno0/swp0</code>
--index <value>	Index entry number in this controller. Mandatory to have.

Table 147. qcisfiset

Parameter <argument>	Description
--device <ifname>	An interface such as <code>eno0/swp0</code>
--enable   --disable	<ul style="list-style-type: none"> <li>enable: enable the entry for this index</li> <li>disable: disable the entry for this index</li> <li>default to set <code>enable</code> if no enable or disable input</li> </ul>
--maxsdu <value>	Maximum SDU size.
--flowmeterid <value>	Flow meter instance identifier index number.
--index <value>	StreamFilterInstance. index entry number in this controller.
--streamhandle <value>	StreamHandleSpec This value corresponds to <code>tsnStreamIdHandle</code> of <code>cbstreamidset</code> command.
--priority <value>	PrioritySpec
--gateid <value>	StreamGateInstanceID
--oversizeenable	StreamBlockedDueToOversizeFrameEnable
--oversize	StreamBlockedDueToOversizeFrame

Table 148. qcisfiget

Parameter <argument>	Description
--device <ifname>	An interface such as <code>eno0/swp0</code>
--index <value>	Index entry number in this controller. Mandatory to have.

Table 149. qcisgiset

Parameter <argument>	Description
--device <ifname>	An interface such as <code>eno0/swp0</code>
--index <value>	Index entry number in this controller. Mandatory to have.
--enable   --disable	<ul style="list-style-type: none"> <li>enable: enable the entry for this index. <code>PSFPGateEnabled</code></li> <li>disable: disable the entry for this index</li> <li>default to set enable if no enable or disable input</li> </ul>
--configchange	<code>configchange</code>
--enblkinvrx	<code>PSFPGateClosedDueToInvalidRxEnable</code>
--blkinvrx	<code>PSFPGateClosedDueToInvalidRx</code>
--initgate	<code>PSFPAdminGateStates</code>
--initipv	<code>AdminIPV</code>

Table 149. `qcisgiset` ...continued

Parameter <argument>	Description
<code>--cycletime</code>	Default not set. Get by <code>gatelistfile</code> .
<code>--cycletimeext</code>	<code>PSFPAdminCycleTimeExtension</code>
<code>--basetime</code>	<code>PSFPAdminBaseTime</code> A 64-bit hex value means nanosecond until now. OR a value input format as: <code>Seconds.nanoSeconds</code> Example: <code>115.532038675</code>
<code>--gatelistfile</code>	<code>PSFPAdminControlList</code> . A file input the gate list: 'NUMBER' 'GATE_VALUE' 'IPV' 'TIME_LONG' 'OCTET_MAX' <ul style="list-style-type: none"> <li>NUMBER: # 't' or 'T' head. Plus entry number. Duplicate entry number will result in an error.</li> <li>GATE_VALUE: format: <code>xb</code>: The MSB corresponds to traffic class 7. The LSB corresponds to traffic class 0. A bit value of 0 indicates closed, A bit value of 1 indicates open.</li> <li>IPV: # 0~7</li> <li>TIME_LONG: in nanoseconds. Do not input time long as 0.</li> <li>OCTET_MAX: The maximum number of octets that are permitted to pass the gate. If zero, there is no maximum. <code>t0 1b -1 50000 10</code></li> </ul>

Table 150. `qcisgiget`

Parameter <argument>	Description
<code>--device &lt;ifname&gt;</code>	An interface such as <code>eno0/swp0</code>
<code>--index &lt;value&gt;</code>	Index entry number in this controller. Mandatory to have.

Table 151. `qcifmiset`

Parameter <argument>	Description
<code>--device &lt;ifname&gt;</code>	An interface such as <code>eno0/swp0</code>
<code>--index &lt;value&gt;</code>	Index entry number in this controller. Mandatory to have.
<code>--disable</code>	If not set disable, then to be set enable.
<code>--cir &lt;value&gt;</code>	<code>cir.kbit/s</code> .
<code>--cbs &lt;value&gt;</code>	<code>cbs.octets</code> .
<code>--eir &lt;value&gt;</code>	<code>eir.kbit/s</code> .
<code>--ebs &lt;value&gt;</code>	<code>ebs.octets</code> .
<code>--cf</code>	<code>cf.couple flag</code> .
<code>--cm</code>	<code>cm.color mode</code> .
<code>--dropyellow</code>	<code>drop yellow</code> .
<code>--markred_enable</code>	<code>mark red enable</code> .
<code>--markred</code>	<code>mark red</code> .



Table 152. qcifmiget parameter

Parameter <argument>	Description
--device <ifname>	An interface such as <code>eno0/swp0</code>
--index <value>	Index entry number in this controller. Mandatory to have.

Table 153. qbuset parameter

Parameter <argument>	Description
--device <ifname>	An interface such as <code>eno0/swp0</code>
--preemptable <value>	8-bit hex value. Example: 0xfe The MS bit corresponds to traffic class 7. The LS bit to traffic class 0. A bit value of 0 indicates express. A bit value of 1 indicates preemptable.

Table 154. cbsset command

Parameter <argument>	Description
--device <ifname>	An interface such as <code>eno0/swp0</code>
--tc <value>	Traffic class number.
--percentage <value>	Set percentage of tc limitation.
--all <tc-percent:tc-percent...>	Not supported.

Table 155. cbsget

Parameter <argument>	Description
--device <ifname>	An interface such as <code>eno0/swp0</code>
--tc <value>	Traffic class number.

Table 156. regtool

Parameter <argument>	Description
Usage: <code>regtool { pf number } { offset } [ data ]</code>	pf number: pf number for the pci resource to act on
	offset: offset into pci memory region to act upon
	data: data to be written

Table 157. ctset

Parameter <argument>	Description
--device <ifname>	An interface such as <code>swp0</code>
--queue_stat <value>	Specifies which priority queues have to be processed in cut-through mode of operation. Bit 0 corresponds to priority 0, Bit 1 corresponds to priority 1 so-on.

Table 158. cbgen

Parameter <argument>	Description
--device <ifname>	An interface such as <code>swp0</code>
--index <value>	Index entry number in this controller. Mandatory to have. This value corresponds to <code>tsnStreamIdHandle</code> of <code>cbstreamidset</code> command.
--iport_mask <value>	INPUT_PORT_MASK: If the packet is from input port belonging to this port mask, then it's a known stream and Sequence generation parameters can be applied
--split_mask <value>	SPLIT_MASK: Port mask used to add redundant paths (or ports). If split is enabled (STREAM_SPLIT) for a stream. This is OR'ed with the final port mask determined by the forwarding engine.
--seq_len <value>	SEQ_SPACE_LOG2: Minimum value is 1 and maximum value is 28. $tsnSeqGenSpace = 2^{**}SEQ\_SPACE\_LOG2$ For example, if this value is 12, then valid sequence numbers are from 0x0 to 0xFFF.
--seq_num <value>	GEN_REC_SEQ_NUM: The sequence number to be used for outgoing packet passed to <code>SEQ_GEN</code> function. Note: Only lower 16-bits are sent in <code>RED_TAG</code> .

Table 159. cbrec

Parameter <argument>	Description
--device <ifname>	An interface such as <code>swp0</code>
--index <value>	Index entry number in this controller. Mandatory to have. This value corresponds to <code>tsnStreamIdHandle</code> of <code>cbstreamidset</code> command.
--seq_len <value>	SEQ_SPACE_LOG2:Min value is 1 and maximum value is 28. $tsnSeqRecSeqSpace = 2^{**}SEQ\_REC\_SPACE\_LOG2$ For example, if this value is 12, then valid sequence numbers are from 0x0 to 0xFFFF.
--his_len <value>	SEQ_HISTORY_LEN: Refer to <code>SEQ_HISTORY</code> , Min 1 and Max 32.
--rtag_pop_en	REDTAG_POP: If True, then the redundancy tag is popped by rewriter.

Table 160. dscpset

Parameter <argument>	Description
--device <ifname>	An interface such as <code>swp0</code>
--disable	Disable DSCP to traffic class for frames.
--index	DSCP value
--cos	Priority number of queue which is mapped to
--dpl	Drop level which is mapped to

Table 161. qcicapget

Parameter <argument>	Description
--device <ifname>	An interface such as <code>swp0</code>

Table 162. tsncapget

Parameter <argument>	Description
--device <ifname>	An interface such as swp0

Table 163. pcpmap

Parameter <argument>	Description
--device <ifname>	An interface such as eno0/swp0
--enable	Enable pcp to traffic class for frames.

### 7.8.1.1.4 Input tips

While providing the command input, you can use the following shortcut keys to make the input faster:

- When you input a command, use the **TAB** key to help list the related commands.

For example:

```
tsntool> qbv
```

Then press **TAB** key, to get all related `qbv*` start commands.

If there is only one choice, it is filled as the whole command automatically.

- When you input parameters, if you don't remember the parameter name. You can just input "--" then press **TAB** key. It displays all the parameters.

If you input half the parameter's name, pressing the **TAB** key lists all the related names.

- History: press the up arrow "↑". You will get the command history and can reuse the command.

### 7.8.1.1.5 Non-interactive mode

Tsntool also supports non-interactive mode.

For example:

In the interactive mode:

```
tsntool> qbuset --device eno0 --preemptable 0xfe
```

In non-interactive mode:

```
tsntool qbuset --device eno0 --preemptable 0xfe
```

### 7.8.1.2 Kernel configuration

Before compiling the Linux kernel, we need to configure it. In the kernel, select the configuration settings displayed below:

```
Symbol: TSN [=y]
 Type : boolean
 Prompt: 802.1 Time-Sensitive Networking support
 Location:
 -> Networking support (NET [=y])
 -> Networking options
 Depends on: NET [=y] && VLAN_8021Q [=y] && PTP_1588_CLOCK [=y]
Symbol: ENETC_TSN [=y]
```

```

Type : boolean
Prompt: TSN Support for NXP ENETC driver
Location:
-> Device Drivers
-> Network device support (NETDEVICES [=y])
-> Ethernet driver support (ETHERNET [=y])
-> Freescale devices (NET_VENDOR_FREESCALE [=y])
Defined at drivers/net/ethernet/freescale/enetc/Kconfig:41
Depends on: NETDEVICES [=y] && ETHERNET [=y] && NET_VENDOR_FREESCALE [=y]
&& FSL_ENETC [=m] && TSN [=y]
|
Symbol: FSL_ENETC_PTP_CLOCK [=y]
Type : tristate
Prompt: ENETC PTP clock driver
Location:
-> Device Drivers
-> Network device support (NETDEVICES [=y])
-> Ethernet driver support (ETHERNET [=y])
-> Freescale devices (NET_VENDOR_FREESCALE [=y])
|
Symbol: MSCC_FELIX_SWITCH_TSN [=y]
Type : tristate
Prompt: TSN on FELIX switch driver
Location:
-> Device Drivers
-> Network device support (NETDEVICES [=y])
-> Ethernet driver support (ETHERNET [=y])
-> Microsemi devices (NET_VENDOR_MICROSEMI [=y])
-> Ocelot switch driver (MSCC_OCELOT_SWITCH [=y])
-> FELIX switch driver (MSCC_FELIX_SWITCH [=y])
Defined at drivers/net/ethernet/mscc/Kconfig:38
Symbol: NET_PKTGEN [=y]
Type : tristate
Prompt: Packet Generator (USE WITH CAUTION)
Location:
-> Networking support (NET [=y])
-> Networking options
-> Network testing
Defined at net/Kconfig:325
Depends on: NET [=y] && INET [=y] && PROC_FS [=y]
Symbol: MSCC_FELIX_SWITCH_PTP_CLOCK [=y]
Type : boolean
Prompt: FELIX switch PTP clock support
Location:
-> Device Drivers
-> Network device support (NETDEVICES [=y])
-> Ethernet driver support (ETHERNET [=y])
-> Microsemi devices (NET_VENDOR_MICROSEMI [=y])
-> Ocelot switch driver (MSCC_OCELOT_SWITCH [=y])
-> FELIX switch driver (MSCC_FELIX_SWITCH [=y])
Defined at drivers/net/ethernet/mscc/Kconfig:38
Depends on: NETDEVICES [=y] && ETHERNET [=y] && NET_VENDOR_MICROSEMI
Selects: PTP_1588_CLOCK [=y]

```

### 7.8.1.3 Basic TSN configuration examples on ENETC

The `tsntool` is an application configuration tool to configure the TSN capability. You can find the file, `/usr/bin/tsntool` and `/usr/lib/libtsn.so` in the rootfs. Run `tsntool` to start the setting shell. The following sections describe the TSN configuration examples on the ENETC ethernet driver interfaces.

Before testing the ENETC TSN test cases, you need to enable `mcprio` by using the command:

```
tc qdisc add dev eno0 root handle 1: mcprio num_tc 8 map 0 1 2 3 4 5 6 7 hw 1
```

### 7.8.1.3.1 Linuxptp test

To test 1588 synchronization on ENETC interfaces, use the following procedure:

1. Connect ENETC interfaces on two boards in a back-to-back manner. (For example, eno0 to eno0.)

The linux booting log is as follows:

```
...
pps pps0: new PPS source ptp0
...
```

2. Check PTP clock and timestamping capability:

```
ethtool -T eno0
Time stamping parameters for eno0:
Capabilities:
 hardware-transmit (SOF_TIMESTAMPING_TX_HARDWARE)
 hardware-receive (SOF_TIMESTAMPING_RX_HARDWARE)
 hardware-raw-clock (SOF_TIMESTAMPING_RAW_HARDWARE)
PTP Hardware Clock: 0
Hardware Transmit Timestamp Modes:
 off (HWTSTAMP_TX_OFF)
 on (HWTSTAMP_TX_ON)
 none (HWTSTAMP_FILTER_NONE)
 all (HWTSTAMP_FILTER_ALL)
Hardware Receive Filter Modes:
```

3. Configure the IP address and run `ptp4l` on two boards:

```
ifconfig eno0 <ip_addr>
ptp4l -i eno0 -p /dev/ptp0 -m
```

4. After running, one board would be automatically selected as the master, and the slave board would print synchronization messages.
5. For 802.1AS testing, just use the configuration file `gPTP.cfg` in `linuxptp` source. Run the below command on the boards, instead:

```
ptp4l -i eno0 -p /dev/ptp0 -f gPTP.cfg -m
```

### 7.8.1.3.2 Qbv test

This test includes the Basic gates closing test, Basetime test, and the Qbv performance test. These are described in the following sections.

#### 7.8.1.3.2.1 Basic gates closing

The commands below describe the steps for closing the basic gates:

```
cat > qbv0.txt << EOF
t0 00000000b 20000
EOF
```

```
#Explanation:
'NUMBER' : t0
'GATE_VALUE' : 00000000b
```

```
'TIME_LONG' : 20000 ns
```

```
cp libtsn.so /lib
./tsntool
tsntool> verbose
tsntool> qbvset --device eno0 --entryfile ./qbv0.txt
ethtool -S eno0
ping 192.168.0.2 -c 1 #Should not pass any frame since gates are all off.
```

### 7.8.1.3.2.2 Basetime test

Base on case 1 qbv1.txt gate list.

```
#create 1s gate
cat > qbv1.txt << EOF
t0 11111111b 10000
t1 00000000b 99990000
EOF
tsntool> regtool 0 0x18
tsntool> regtool 0 0x1c
#read the current time
tsntool> ptptool -g
#add some seconds, for example, you get 200.666 time clock, then set 260.666 as
result
tsntool> qbvset --device eno0 --entryfile qbv1.txt --basetime 260.666
tsntool> qbvget --device eno0 #You can check configchange time
tsntool> regtool 0 0x11a10 #Check pending status, 0x1 means time gate is working
#Waiting to change state, ping remote computer
ping 192.168.0.2 -A -s 1000
#The reply time is about 100 ms
```

Since 10000 ns is the maximum limit for package size 1250 B.

```
ping 192.168.0.2 -c 1 -s 1300 #frame should not pass
```

### 7.8.1.3.2.3 Qbv performance test

Use the setup described in the figure below for testing ENETC port0 (MAC0).

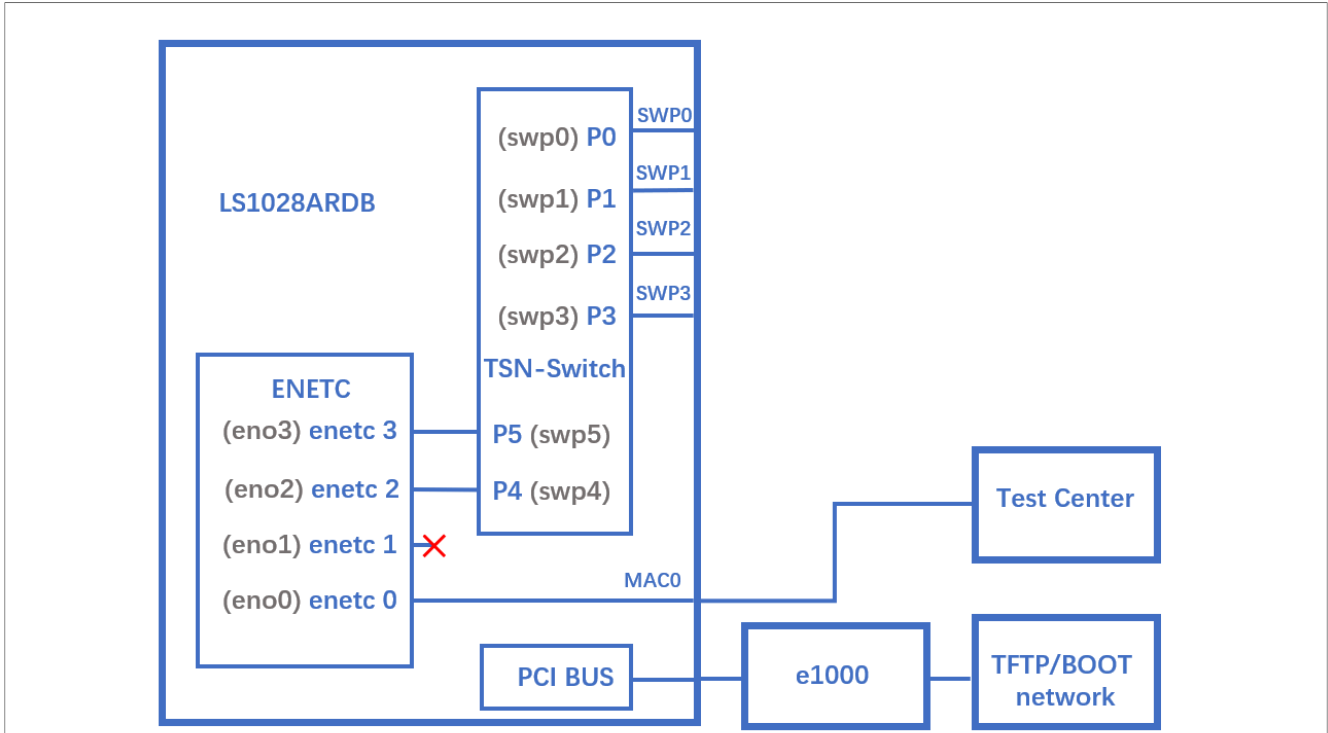


Figure 166. Setup for testing ENETC port0

```
cat > qbv5.txt << EOF
t0 11111111b 1000000
t1 00000000b 1000000
EOF
qbvset --device eno0 --entryfile qbv5.txt
./pktgen/pktgen_twoqueue.sh -i eno0 -q 3 -n 0
#The stream would get about half line rate
```

7.8.1.3.2.4 Qbv setup using taprio Qdisc

Using taprio Qdisc you can set up Qbv.

LS1028ardb supports the taprio qdisc to set up Qbv. An example of Qbv setup is gived below:

```
#Qbv test do not require the mqprio setting.
If mqprio is enabled, try to disable it by below command:
tc qdisc del dev eno0 root handle 1: mqprio
Enable the Qbv for ENETC eno0 port
Below command set eno0 with gate 0x01, means queue 0 open,
the other queues gate close.
tc qdisc replace dev eno0 parent root handle 100 taprio num_tc
8 map 0 1 2 3 4 5 6 7 queues 1@0 1@1 1@2 1@3 1@4 1@5 1@6 1@7
base-time 0 sched-entry S 01 300000 flags 0x2
Ping through eno0 port should be ok
Then close the gate queue 0. Open gate queue 1. The other
queues gate close.
tc qdisc replace dev eno0 parent root handle 100 taprio num_tc
8 map 0 1 2 3 4 5 6 7 queues 1@0 1@1 1@2 1@3 1@4 1@5 1@6 1@7
base-time 0 sched-entry S 02 300000 flags 0x2
Ping through eno0 port should be dropped
```

```
#Disable the Qbv for ENETC eno0 port as below
tc qdisc del dev eno0 parent root handle 100 taprio
```

7.8.1.3.3 Qci test cases

Use the following as the background setting:

- Set eno0 MAC address

```
ip link set eno0 address 10:00:80:00:00:00
```

TestCenter MAC address **99:aa:bb:cc:dd:ee** as an example.

- Use the figure below as the hardware setup.

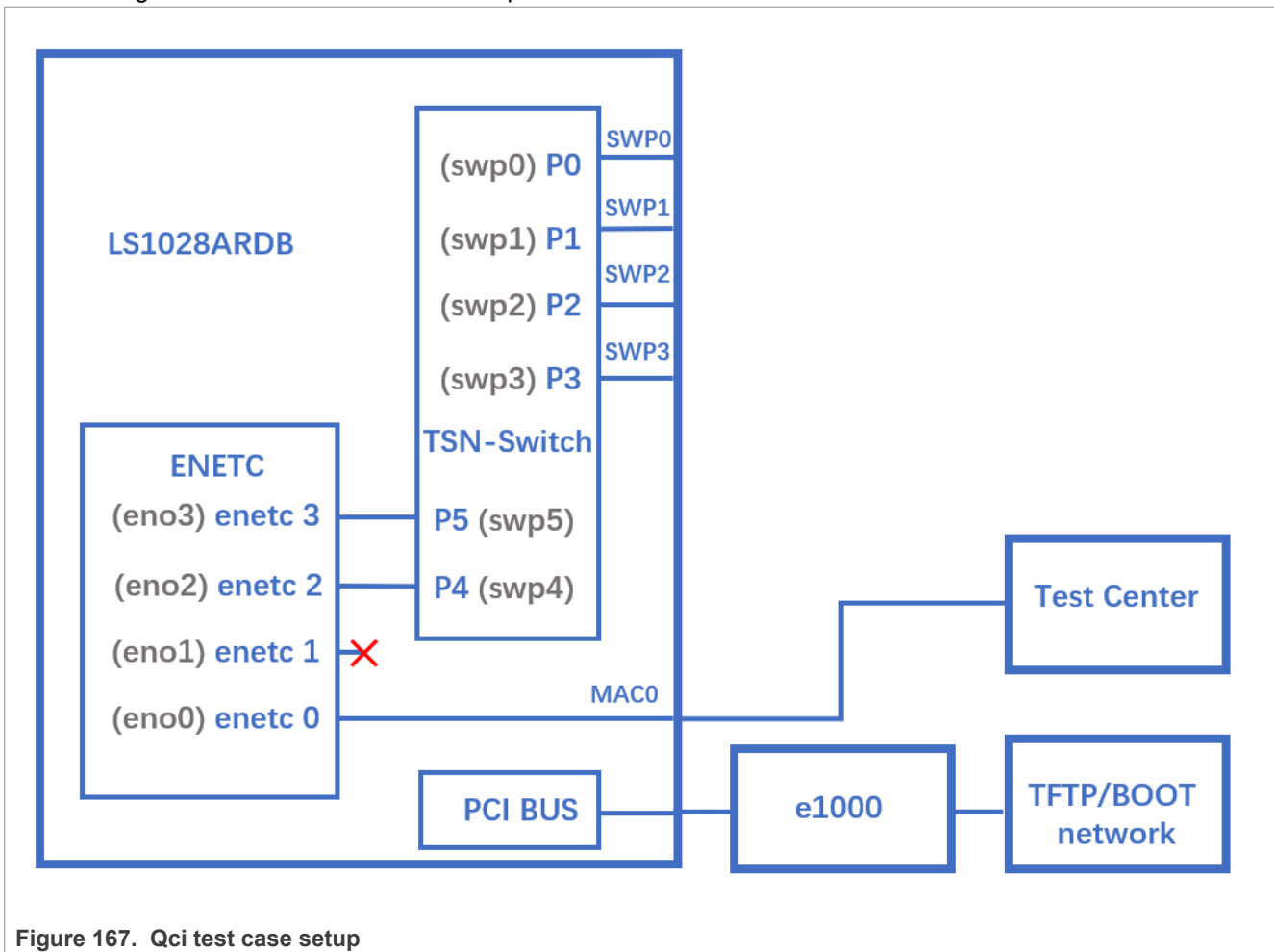


Figure 167. Qci test case setup

7.8.1.3.3.1 Test SFI No Streamhandle

To test no streamhandle for a stream filter, set a close gate stream id 2. Then no stream identifies the package check and other streams would pass the gate, as shown in the following example:

```
tsntool> qcisfiset --device eno0 --index 2 --gateid 2
```



- Streams no streamhandle should pass this filter.

```
tsntool> qcisfiget --device eno0 --index 2
```

- Send a frame from the Test center.

```
tsntool> qcisfiget --device eno0 --index 2
```

- Set Stream Gate entry 2

```
tsntool> qcisgiset --device eno0 --index 2 --initgate 1
```

- Send a frame from the Test center.

```
tsntool> qcisfiget --device eno0 --index 2
```

- Set Stream Gate entry 2, gate closes permanently.

```
tsntool> qcisgiset --device eno0 --index 2 --initgate 0
```

- Send a frame from the Test center.

```
tsntool> qcisfiget --device eno0 --index 2
#The result should look like below:
 match pass gate_drop sdu_pass sdu_drop red
 1 0 1 1 0 0
```

### 7.8.1.3.3.2 Testing null stream identify entry

Use the following steps:

1. Set main stream by close gate.
2. Set Stream identify Null stream identify entry 1.

```
tsntool> cbstreamidset --device eno0 --index 1 --nullstreamid --nullldmac
0x000000800010 --nulltagged 3 --nullvid 10 --streamhandle 100
```

3. Get SID index 1.

```
tsntool> cbstreamidget --device eno0 --index 1
```

4. Set Stream filer entry 1.

```
tsntool> qcisfiset --device eno0 --streamhandle 100 --index 1 --gateid 1
```

5. Set Stream Gate entry 1.

```
tsntool> qcisgiset --device eno0 --index 1 --initgate 0
```

6. Send one frame from the Test center.

```
tsntool> qcisfiget --device eno0 --index 1
```

7. The result should look like the output below:

```
match pass gate_drop sdu_pass sdu_drop red
 1 0 1 1 0 0
```

### 7.8.1.3.3.3 Testing source stream identify entry

Use the following steps for this test:

1. Keep Stream Filter entry 1 and Stream gate entry 1.
2. Add stream2 in test center: SMAC is 66:55:44:33:22:11 DMAC:20:00:80:00:00:00
3. Set Stream identify Source stream identify entry 3

```
tsntool> cbstreamidset --device eno0 --index 3 --sourcemacvid --sourcemac
0x112233445566 --sourcetagged 3 --sourcevid 20 --streamhandle 100
```

4. Send frame from test center. The frame passes to stream filter index 1.

```
tsntool> qcisfiget --device eno0 --index 1
```

### 7.8.1.3.3.4 SGI stream gate list

Use the command below for this test:

```
cat > sgi1.txt << EOF
t0 0b -1 1000 0
t1 1b -1 1000 0
EOF
tsntool> qcisfiset --device eno0 --index 2 --gateid 2
tsntool> qcisgiset --device eno0 --index 2 --initgate 1 --gatelistfile sgi1.txt
#flooding frame size 64bytes at test center
tsntool> qcisfiget --device eno0 --index 2
```

Check the frames dropped and passed, they should be the same.

### 7.8.1.3.3.5 FMI test

Only send green color frames, set the test center speed to 10000000 bsp/s:

```
tsntool> qcisfiset --device eno0 --index 2 --gateid 2 --flowmeterid 2
tsntool> qcifmiset --device eno0 --index 2 --cm --cf --cbs 1500 --cir 5000 --ebs
1500 --eir 5000
```

The below setting shows the dropped frames:

```
tsntool> qcifmiset --device eno0 --index 2 --cm --cf --cbs 1500 --cir 5000 --ebs
1500 --eir 2000
```

To get information of color frame counters showing at application layer, use the code as in the below example:

```
tsntool> qcifmiget --device eno0 --index 2
=====
bytecount drop dr0_green dr1_green dr2_yellow remark_yellow dr3_red remark_red
1c89 0 4c 0 0 0 0 0
=====
index = 2
cir = c34c
cbs = 5dc
eir = 4c4b3c
ebs = 5dc
couple flag
color mode
```

7.8.1.3.4 Qbu test

Set the frame path from eno0 to external by linking enetc MAC0 - SWP0. Use the setup as shown in the following figure for the Qbu test.

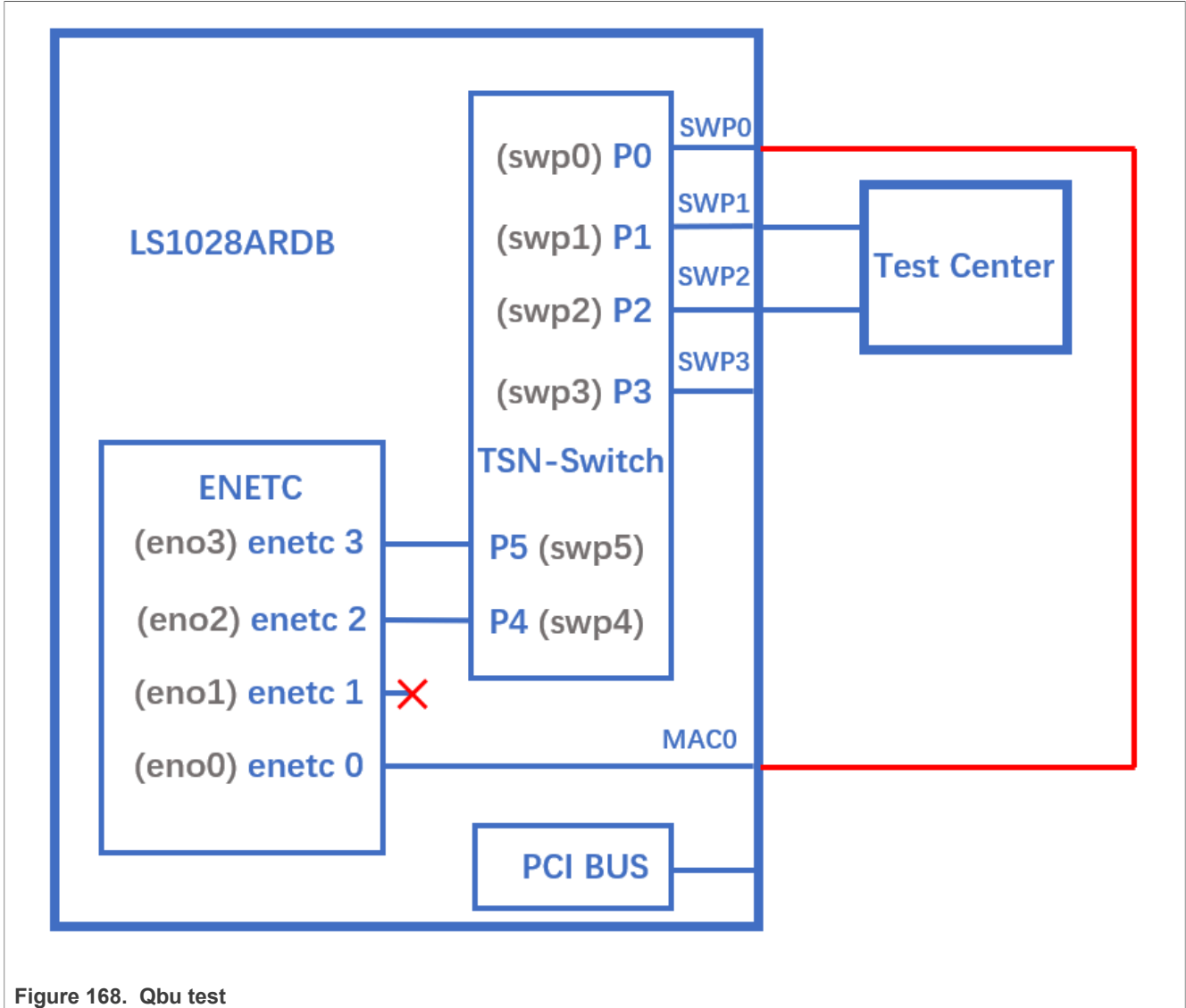


Figure 168. Qbu test

Before the test, you must set up the switch ports. See [Section 7.8.1.4.1](#) for more information.

**Note:** *0x11f10 Port MAC Merge Frame Assembly OK Count Register*

*0x11f18 Port MAC Merge Fragment Count TX Register (MAC\_MERGE\_MMFCTXR)*

For linking the ENETC port0 to SWP0, use the steps below:

1. Ensure to enable the priority for each traffic class:

```
tc qdisc add dev eno0 root handle 1: mqprio num_tc 8 map 0 1 2 3 4 5 6 7 hw 1
```

2. Make sure link speed is 1 Gbit/s by using the command:

```
ethtool eno0
```

- If it is not 1 Gbit/s, set it to 1 Gbit/s by using the command:

```
ethtool -s swp0 speed 1000 duplex full autoneg on
```

Make sure that the `swp0` and `enec0` link is up.

- Set the switch to enable merge:

```
devmem 0x1fc100048 32 0x111 #DEV_GMII:MM_CONFIG:ENABLE_CONFIG
```

- Use the below ENETC port setting:

```
ip link set eno0 address 90:e2:ba:ff:ff:ff
tsntool> qbuset --device eno0 --preemptable 0xfe
./pktgen/pktgen_twoqueue.sh -i eno0 -q 0 -s 100 -n 20000 -m 90:e2:ba:ff:ff:ff
```

- Check the tx merge counter, if it has a non-zero value, it indicates that the Qbu is working.

```
tsntool> regtool 0 0x11f18
```

### 7.8.1.3.5 Qav test

The following figure illustrates the hardware setup diagram for the Qav test.

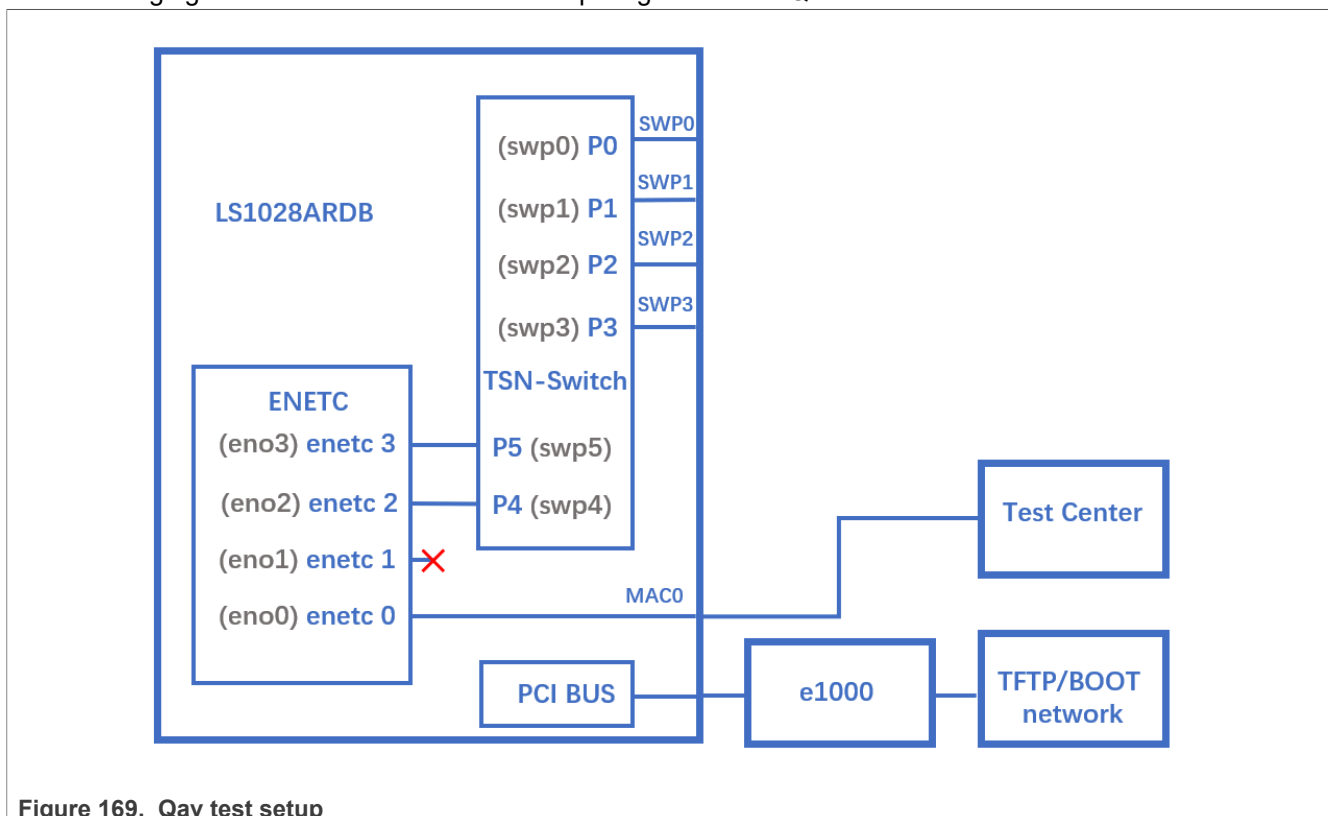


Figure 169. Qav test setup

### 7.8.1.3.5.1 Tsntool usage

- Ensure to enable the priority for each traffic class:

```
tc qdisc add dev eno0 root handle 1: mqprio num_tc 8 map 0 1 2 3 4 5 6 7 hw 1
```

- Run the following commands:

```
cbsset --device eno0 --tc 7 --percentage 60
```

```
cbsset --device eno0 --tc 6 --percentage 20
```

3. Check the test center result, TC6 should have 1/3 frames of TC7.
4. Check one queue:

```
./pktgen/pktgen_sample01_simple.sh -i eno0 -q 7 -s 500 -n 0
```

It should get about 60% percentage line rate.

5. Check another queue:

```
/home/root/samples/pktgen/pktgen_sample01_simple.sh -i eno0 -q 6 -s 500 -n 30000
```

**Note:** Wait a few seconds later to check the result. The expected result in line rate is 20%.

#### 7.8.1.3.5.2 tc-cbs usage

You can set up Qav using the CBS Qdisc. LS1028a supports the CBS qdisc to set up Credit-based Shaper.

The following commands are used to set CBS with 100 Mbit/s for queue 7 and 300 Mbit/s for queue 6:

```
$tc qdisc add dev eno0 root handle 1: mqprio num_tc 8 map 0 1 2 3 4 5 6 7 hw 1
$tc qdisc replace dev eno0 parent 1:8 cbs locredit -1350 hicredit 150 sendslope
-900000 idleslope 100000 offload 1
$tc qdisc replace dev eno0 parent 1:7 cbs locredit -1050 hicredit 950 sendslope
-700000 idleslope 300000 offload 1
```

#### 7.8.1.4 Basic TSN configuration examples on the switch

The following sections describe examples for the basic configuration of TSN switch.

7.8.1.4.1 Switch configuration

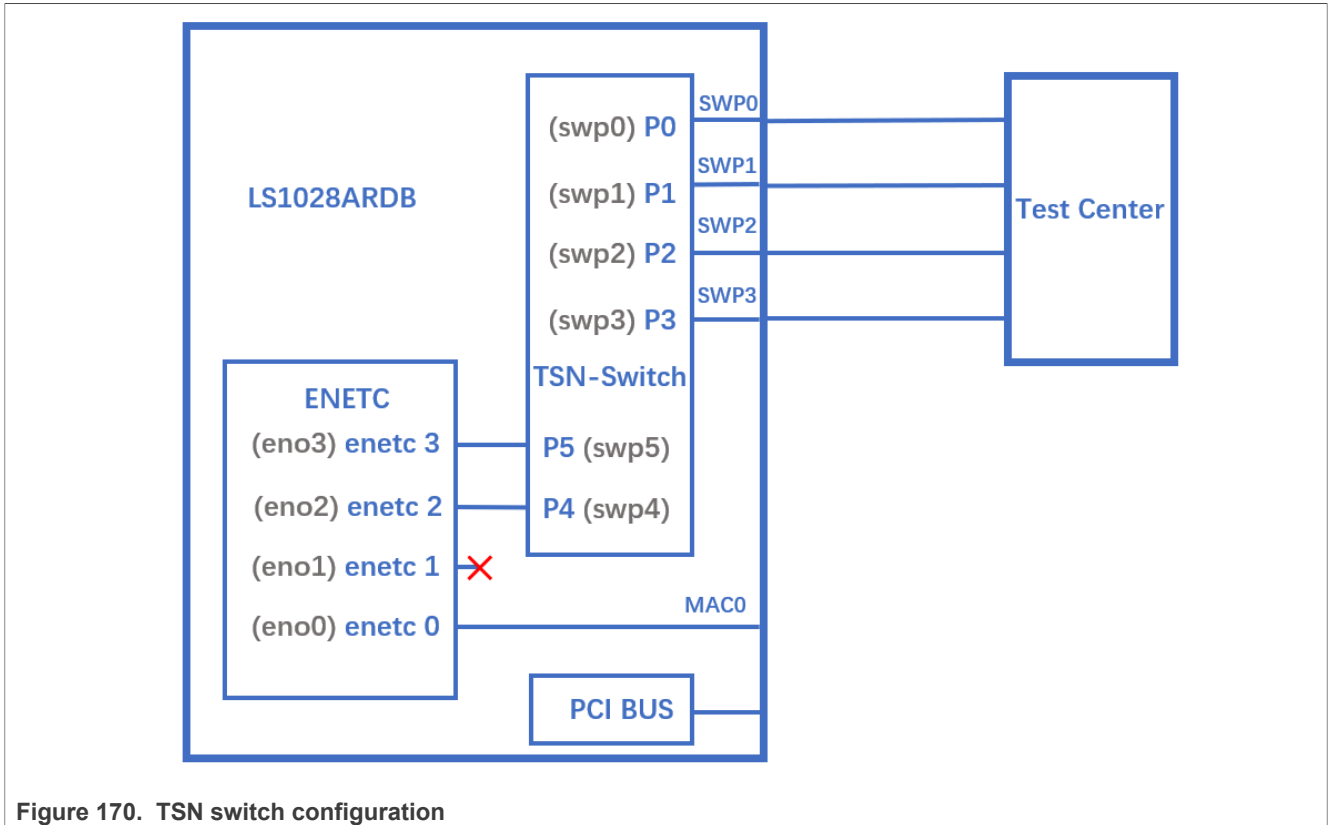


Figure 170. TSN switch configuration

Use the following commands for configuring the switch on LS1028ARDB:

```
ls /sys/bus/pci/devices/0000:00:00.5/net/
```

Get switch device interfaces: swp0 swp1 swp2 swp3>

```
ifconfig eno2 up
ip link add name switch type bridge vlan_filtering 1
ip link set switch up
ip link set swp0 master switch && ip link set swp0 up
ip link set swp1 master switch && ip link set swp1 up
ip link set swp2 master switch && ip link set swp2 up
ip link set swp3 master switch && ip link set swp3 up
ip link set swp4 master switch && ip link set swp4 up /* In Kernel-4.19*/
```

7.8.1.4.2 Linuxptp test

To test 1588 synchronization on felix-switch interfaces, use the following procedure:

1. Connect two boards back-to-back with switch interfaces. For example, swp0 to swp0. The Linux booting log is displayed below:

```
...
pps pps0: new PPS source ptpl
...
```

## 2. Check PTP clock and timestamping capability

```
$ ethtool -T swp0
Time stamping parameters for swp0:
Capabilities:
 hardware-transmit (SOF_TIMESTAMPING_TX_HARDWARE)
 hardware-receive (SOF_TIMESTAMPING_RX_HARDWARE)
 hardware-raw-clock (SOF_TIMESTAMPING_RAW_HARDWARE)
PTP Hardware Clock: 1
Hardware Transmit Timestamp Modes:
 off (HWTSTAMP_TX_OFF)
 on (HWTSTAMP_TX_ON)
Hardware Receive Filter Modes:
 none (HWTSTAMP_FILTER_NONE)
 all (HWTSTAMP_FILTER_ALL)
```

## 3. Set switch ip on two boards, and ping each other.

```
$ ifconfig switch 192.168.1.2 /* On board A */
$ ifconfig switch 192.168.1.3 /* On board B */
$ ping 192.168.1.3 /* On board A */
```

## 4. For 802.1AS testing, use the configuration file `gPTP.cfg` in `linuxptp` source. Run the below commands on the two boards instead.

```
$ ptp4l -i swp0 -p /dev/ptp1 -f gPTP.cfg -2 -m
```

### Note:

Install `ptp4l` (`linuxptp`), if not installed already in ubuntu rootfs. Also, stop and disable `ptp4l.service` in case of failure; as used needs to write it as per the requirement. `ptp4l v1.8` is used for Layerscape LDP verification.

```
apt update
apt install linuxptp
systemctl stop ptp4l.service
systemctl disable ptp4l.service
```

### 7.8.1.4.3 Qbv test

The following figure describes the setup for Qbv test on LS1028ARDB.

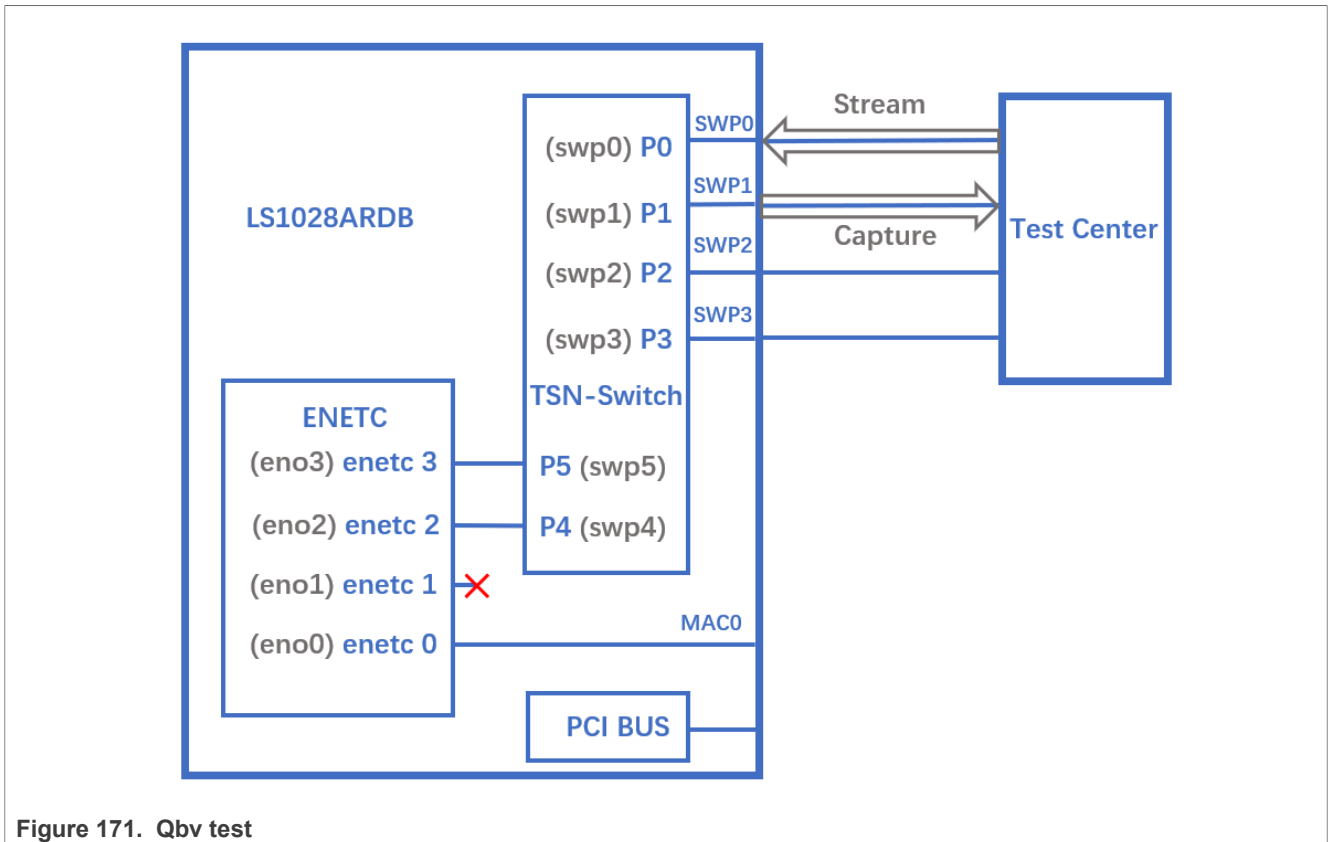


Figure 171. Qbv test

Reserve buffer for each queue on ingress and egress port to avoid resource depletion when Qbv gate is closed:

```

ingressport=0
egressport=1
for tc in {0..7}; do {
devlink sb tc bind set pci/0000:00:00.5/$ingressport sb 0
tc $tc type ingress pool 0 th 3000
devlink sb tc bind set pci/0000:00:00.5/$ingressport sb 1
tc $tc type ingress pool 0 th 10
devlink sb tc bind set pci/0000:00:00.5/$egressport sb 0 tc
$tc type egress pool 1 th 3000
devlink sb tc bind set pci/0000:00:00.5/$egressport sb 1 tc
$tc type egress pool 1 th 10
}
done

```

### 7.8.1.4.3.1 Closing basic gates

Use the set of commands below for basic gate closing.

```

echo "t0 00000000b 20000" > qbv0.txt
#Explanation:
'NUMBER' : t0
'GATE_VALUE' : 00000000b
'TIME_LONG' : 20000 ns
./tsntool
tsntool> verbose
tsntool> qbvset --device swp1 --entryfile ./qbv0.txt

```



```
#Send one broadcast frame to swp0 from TestCenter.
ethtool -S swp1
#Should not get any frame from swp1 on TestCenter.
echo "t0 11111111b 20000" > qbv0.txt
tsntool> qbvset --device swp1 --entryfile ./qbv0.txt
#Send one broadcast frame to swp0 on TestCenter.
ethtool -S swp1
#Should get one frame from swp1 on TestCenter.
```

#### 7.8.1.4.3.2 Basetime test

For the basetime test, first get the current second time:

```
#Get current time:
tsntool> ptptool -g -d /dev/ptp1
#add some seconds, for example you get 200.666 time clock, then set 260.666 as
result
tsntool> qbvset --device swp1 --entryfile ./qbv0.txt --basetime 260.666
#Send one broadcast frame to swp0 on the Test Center.
#Frame could not pass swp1 until time offset.
```

#### 7.8.1.4.3.3 Qbv performance test

Use the following commands for the QBv performance test:

```
cat > qbv5.txt << EOF
t0 11111111b 1000000
t1 00000000b 1000000
EOF
qbvset --device swp1 --entryfile qbv5.txt
```

#Send 1G rate stream to swp0 on TestCenter.

#The stream would get about half line rate from swp1.

**Note:** Each entry time must be larger than guard band, the guard band is set by `--maxsdu`, if it is not set, then use default value as 1518Bytes. The least entry time is  $(1518*8)/1G \approx 12\mu s$ .

#### 7.8.1.4.3.4 Tc-taprio usage

LS1028ARDB supports the taprio qdisc to set up Qbv.

An example for Qbv setup is given below:

1. Enable the Qbv for swp1 port, set queue 1 gate open, and set circle time to 300  $\mu s$ :

```
$tc qdisc replace dev swp1 parent root handle 100 taprio num_tc 8 map 0 1 2 3
4 5 6 7 queues 1@0 1@1 1@2 1@3 1@4 1@5 1@6 1@7 base-time 0 sched-entry S 02
300000 flags 0x2
```

**Note:** Since the hardware can only use PCP, DSCP or other methods to classify QoS, it cannot map QoS to different hardware queues. `mqprio` is not implemented in the felix driver, so "map 0 1 2 3 4 5 6 7" in the `tc-taprio` command is invalid.

**Note:** Tc-taprio uses default port max SDU(1518B) as guard band value. Each entrytime must be larger than guard band( $1518*8/1G \approx 12\mu s$ ).

2. Send one frame with PCP=1 in vlan tag to swp0 from TestCenter, so as to capture the frame from swp1.

3. Send one frame with PCP=2 in vlan tag to swp0 from TestCenter, gate is closed and the frame from swp1 cannot be captured.
4. Disable the Qbv for swp1 port as below:

```
$tc qdisc del dev swp1 parent root handle 100 taprio
```

**7.8.1.4.4 Qbu test**

The figure below illustrates the setup for performing the Qbu test using the TSN switch.

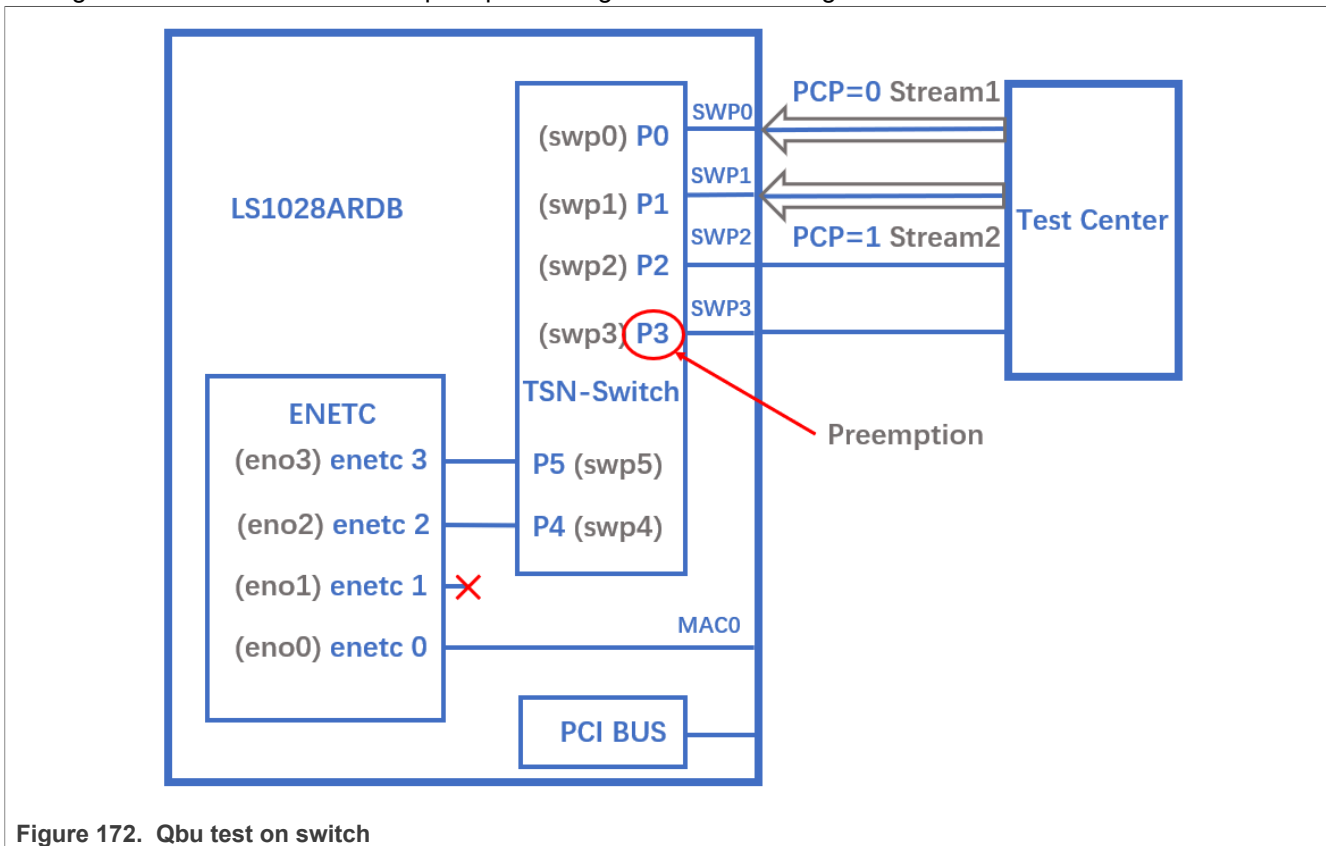


Figure 172. Qbu test on switch

1. Disable the Cut-through mode before enabling preemption on switch ports.

```
$tsntool> ctset --device swp3 --queue_stat 0x0
```

2. Set queue 1 to be preemptable.

```
tsntool> qbuset --device swp3 --preemptable 0x02
```

3. Send two streams from TestCenter, then check the number of additional mPackets transmitted by PMAC:

```
ethtool -S swp3 | grep tx_merge_fragments
```

**7.8.1.4.5 Qci test cases**

The figure below illustrates the Qci test case setup.

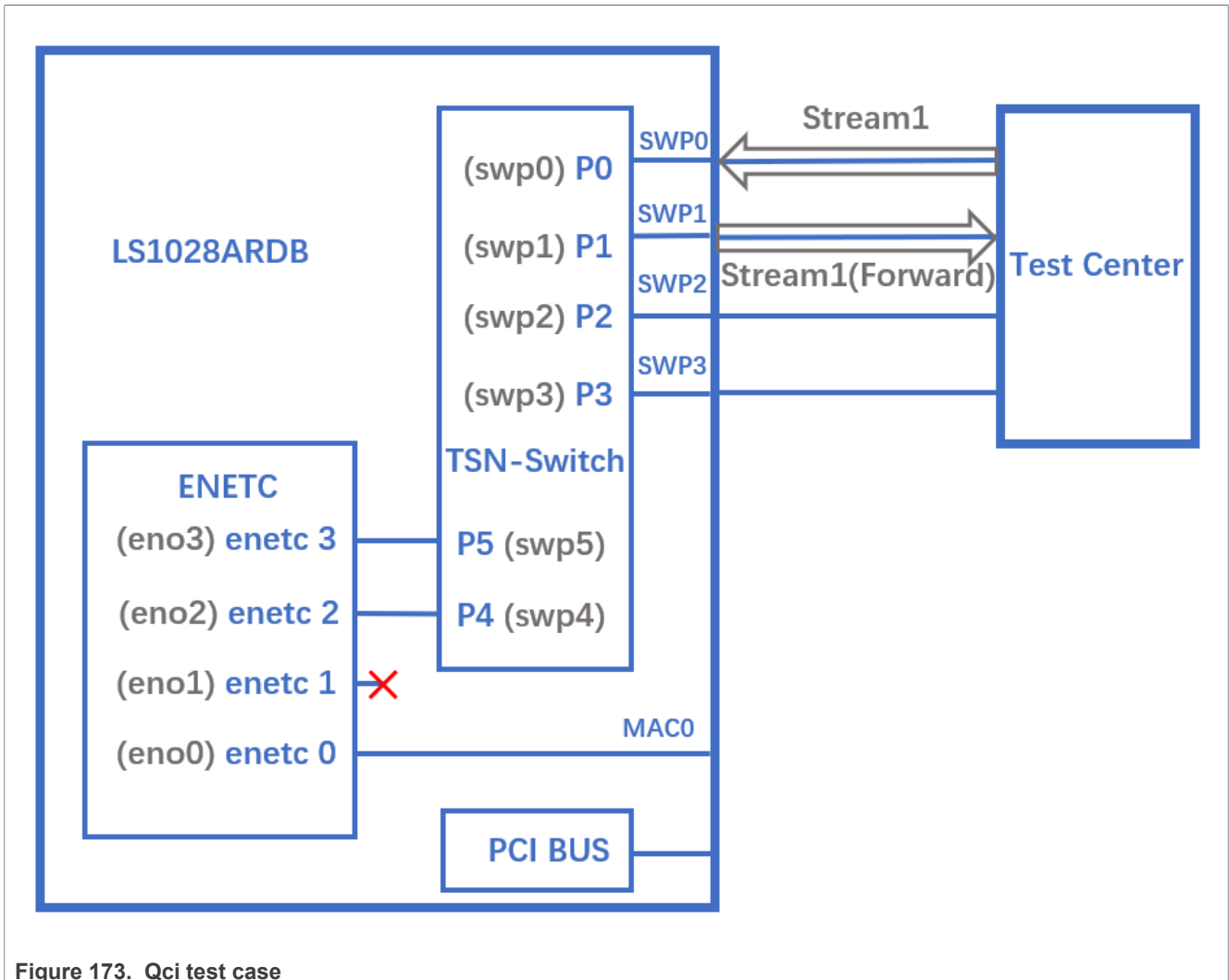


Figure 173. Qci test case

### 7.8.1.4.5.1 Stream identification

Use the following commands for stream identification:

1. Set a stream to `swp0` on TestCenter.
2. Edit the stream, set the destination MAC as: `00:01:83:fe:12:01`, `Vlan ID : 1`
3. Add the MAC to MAC table on LS1028a.

```
$bridge fdb add 00:01:83:fe:12:01 dev swp1 vlan 1 master static
```

**Note:** This step is not required if the MAC is already configured on port.

4. Use the destination MAC `00:01:83:fe:12:01`, `vlan ID : 1` to set the stream identification on LS1028A.

```
tsntool> cbstreamidset --device swp1 --nullstreamid --index 1
--nullmac 0x000183fe1201 --nullvid 1 --streamhandle 1
```

**Explanation:**

- `device`: Set the device port which is the stream forwarded to. If the {`destmac`, `VID`} is already learned by switch, switch will not care device port.
- `nulltagged`: Switch only support `nulltagged=1` mode, so there is no need to set it.

- nullvid: Use `bridge vlan show` to see the ingress VID of switch port.

5. Use the streamhandle to configure a stream filter:

```
tsntool> qcisfiset --device swp0 --index 1 --gateid 1 --
priority 0 --flowmeterid 68
```

**Explanation:**

- device: Can be any one of switch ports.
- flowmeterid: PSFP Policer id, ranges from 63 to 383.
- index: Value is same as streamhandle of `cbstreamidset`.  
streamhandle: Value is same as streamhandle of `cbstreamidset`.

6. Send one frame, then check the frames.

```
ethtool -S swp1
ethtool -S swp2
```

Only swp1 can get the frame.

7. Use the following command to check and debug the stream identification status.

```
qcisfiget --device swp0 --index 1
```

**Note:** The parameter *streamhandle* is the same as *index* in stream filter set, we use *streamhandle* in *cbstreamidset* to set a stream filter entry, and use *index* to disable it. Also, we use *index* in *cbstreamidset* to get this stream filter entry.

#### 7.8.1.4.5.2 Stream gate control

1. Use the following commands for stream gate control:

```
echo "t0 1b 3 50000 200" > sgi.txt
tsntool> qcisgiset --device swp0 --enable --index 1 --initgate 1 --initipv 0
--gatelistfile sgi.txt --basetime 0x0
```

**Explanation:**

- 'device': can be any one of switch ports.
- 'index': gateid
- 'basetime' : It is the same as Qbv set.

2. Send one frame on TestCenter.

```
ethtool -S swp1
```

Note that the frame could pass, and `green_prio_3` has increased.

3. Now run the following commands:

```
echo "t0 0b 3 50000 200" > sgi.txt
tsntool> qcisgiset --device swp0 --enable --index 1 --initgate 1 --initipv 0
--gatelistfile sgi.txt --basetime 0x0
```

4. Next, send one frame on TestCenter.

```
ethtool -S swp1
```

Note that the frame could not pass.

### 7.8.1.4.5.3 SFI maxSDU test

Use the following command to run this test:

```
tsntool> qcisfiset --device swp0 --index 1 --gateid 1 --priority 0 --flowmeterid 68 --maxsdu 200
```

Now, send one frame (frame size > 200) on TestCenter.

```
ethhtool -S swp1
```

You can observe that the frame could not pass.

### 7.8.1.4.5.4 FMI test

Use the following set of commands for the FMI test.

1. Reserve buffer for each queue on ingress port to receive yellow frames(dp=1) in switch.

```
ingressport=0
for tc in {0..7}; do {
devlink sb tc bind set pci/0000:00:00.5/$ingressport sb 0
tc $tc type ingress pool 0 th 3000
devlink sb tc bind set pci/0000:00:00.5/$ingressport sb 1
tc $tc type ingress pool 0 th 10
}
done
```

2. Run the command:

```
tsntool> qcifmiset --device swp0 --index 68 --cir 100000 --cbs 4000 --ebs 4000 --eir 100000
```

**Note:**

- The 'device' in above command can be any one of the switch ports.
- The index of `qcifmiset` must be the same as flowmeterid of `qcisfiset`.

3. Now, send one stream (rate = 100M) on TestCenter.

```
ethhtool -S swp0
```

Note that all frames pass and get all green frames.

4. Now, send one stream (rate = 200M) on TestCenter.

```
ethhtool -S swp0
```

Observe that all frames pass and get green and yellow frames.

5. Send one stream (rate = 300M) on TestCenter.

```
ethhtool -S swp0
```

Note that not all frames could pass and get green, yellow, and red frames.

6. Send one yellow stream (rate = 100M) on TestCenter.

```
ethhtool -S swp0
```

All frames pass and get all yellow frames.

7. Send one yellow stream (rate = 200M) on TestCenter.

```
ethhtool -S swp0
```

Note that not all frames could pass and get yellow and red frames.

## 8. Test of mode.

```
tsntool> qcifmisset --device swp0 --index 68 --cir 100000 --cbs 4000 --ebs
4000 --eir 100000 --cf
```

## 9. Send one yellow stream (rate = 200M) on TestCenter.

```
ethtool -S swp0
```

All frames pass and get all yellow frames (use CIR as well as EIR).

## 10. Send one yellow stream (rate = 300M) on TestCenter.

```
ethtool -S swp0
```

Note that not all frames could pass and get yellow and red frames.

## 7.8.1.4.5.5 Port-based SFI set

LS1028A switch can work on port-based PSFP set. This implies that when a nullidentified stream is received on an ingress port, switch uses the port, default SFI.

Below example tests no streamhandle in qcisfiset to set a port, default SFI.

## 1. Use SFID 2 to set swp0 port as default SFI.

```
tsntool> qcisfiset --device swp0 --index 2 --gateid 1 --flowmeterid 68
```

After the port default SFI is set, any stream sent from swp0 port performs the gate 1 and flowmeter 68 policy.

## 2. Set stream gate control.

```
echo "t0 1b 4 50000 200" > sgi.txt
tsntool> qcisgiset --device swp0 --enable --index 1 --initgate 1 --initipv 0
--gatelistfile sgi.txt
```

## 3. Send any stream to swp0.

```
ethtool -S swp1
```

**Note:** The frame is passed, and *green\_prio\_4* is increased.

## 7.8.1.4.5.6 Tc-flower usage

To use tc-flower, perform the following steps:

## 1. Add the MAC CA:9C:00:BC:6D:68 in the MAC table by using bridge fdb command, if it is not learned:

```
bridge fdb add dev swp3 CA:9C:00:BC:6D:68 vlan 1 master static
```

## 2. Register chains on ingress port swp0:

```
tc qdisc add dev swp0 clsact
tc filter add dev swp0 ingress chain 0 pref 49152 flower skip_sw action goto
chain 10000
tc filter add dev swp0 ingress chain 10000 pref 49152 flower skip_sw action
goto chain 11000
tc filter add dev swp0 ingress chain 11000 pref 49152 flower skip_sw action
goto chain 12000
tc filter add dev swp0 ingress chain 12000 pref 49152 flower skip_sw action
goto chain 20000
tc filter add dev swp0 ingress chain 20000 pref 49152 flower skip_sw action
goto chain 21000
```

```
tc filter add dev swp0 ingress chain 21000 pref 49152 flower skip_sw action
goto chain 30000
```

### 3. Set Qci on ingress port swp0:

#### a. Use the following commands to set Qci gate:

```
tc filter add dev swp0 ingress chain 30000
protocol 802.1Q flower skip_sw dst_mac CA:9C:00:BC:6D:68
vlan_id 1 action gate index 1 base-time 0 sched-entry CLOSE
6000 -1 -1
```

#### b. Use the following commands to set Qci flow meter:

```
tc filter add dev swp0 ingress chain 30000 protocol 802.1Q
flower skip_sw dst_mac CA:9C:00:BC:6D:68 vlan_id 1 action police index 1
rate 10Mbit burst 10000 conform-exceed drop/ok
```

#### c. Use the following commands to set Qci SFI priority:

```
tc filter add dev swp0 ingress chain 30000 protocol 802.1Q
flower skip_sw dst_mac CA:9C:00:BC:6D:68 vlan_id 1 vlan_prio 1 action gate
index 1 base-time 0 sched-entry CLOSE 6000 -1 -1
```

#### d. Use the following commands to set both gate and flow meter:

```
tc filter add dev swp0 ingress chain 30000 protocol 802.1Q flower skip_sw
dst_mac CA:9C:00:BC:6D:68 vlan_id 1 action gate
index 1 base-time 0 sched-entry_OPEN 6000 2 -1 action police index 1 rate
10Mbit burst 10000 conform-exceed drop/ok
```

- Send a stream from TestCenter and set the stream destination MAC as CA:9C:00:BC:6D:68, set vid=1, and vlan\_prio=1 in the vlan tag.
- Capture the stream from TestCenter, and check if packets are received.
- Use the following commands to delete a stream rule:

```
tc -s filter show dev swp0 ingress chain 30000
tc filter del dev swp0 ingress chain 30000 pref 49152
```

#### Note:

- Each stream can only be added only once. If a user wants to update it, delete the rule and add a new one.
- MAC and VID of stream must have been learned in switch MAC table if the stream is required to be added.
- Qci gate cycle time is expected to be more than 5  $\mu$ s.
- Qci flow meter can only set cir and cbs now, and the policers are shared with ACL VCAPs.

#### 7.8.1.4.6 Qav test case

The below figure illustrates the Qav test case setup.

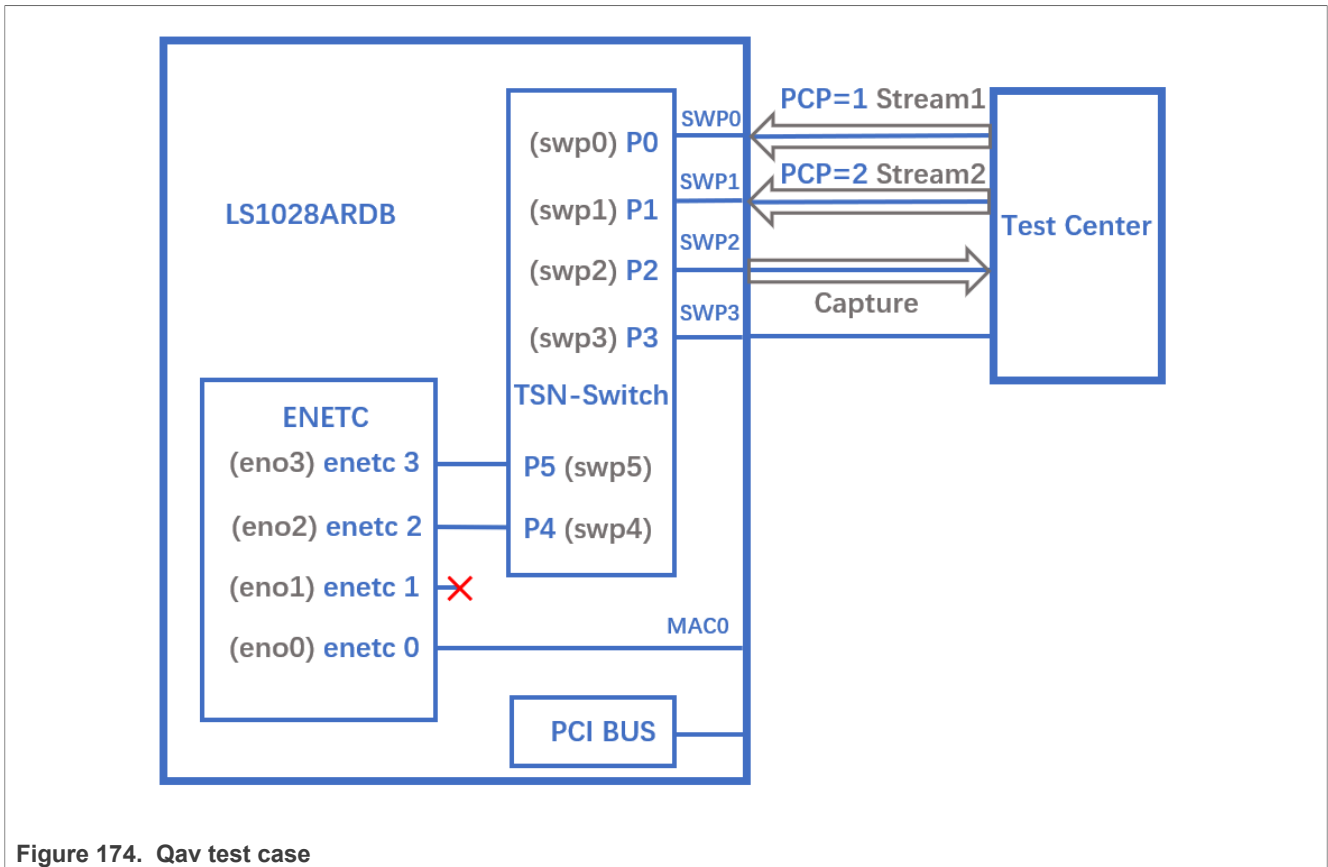


Figure 174. Qav test case

### 7.8.1.4.6.1 Tsntool usage

1. Set the percentage of two traffic classes:

```
tsntool> cbsset --device swp2 --tc 1 --percentage 20
tsntool> cbsset --device swp2 --tc 2 --percentage 40
```

2. Send two streams from Test center, then check the frames count.

```
ethtool -S swp2
```

Note that the frame count of queue1 is half of queue2.

**Note:** Stream rate must larger than bandwidth limited of queue.

3. Capture frames on swp2 on TestCenter.

# The Get Frame sequence is: (PCP=1), (PCP=2), (PCP=2), (PCP=1), (PCP=2), (PCP=2), ...

### 7.8.1.4.6.2 Tc-cbs usage

LS1028A supports the CBS qdisc to setup Credit-based Shaper.

The below commands set CBS with 20 Mbit/s for queue 1 and 40 Mbit/s for queue 2:

1. Set the cbs of two traffic classes:

```
$tc qdisc add dev swp2 root handle 1: mqprio num_tc 8 map 0 1
2 3 4 5 6 7 queues 1@0 1@1 1@2 1@3 1@4 1@5 1@6 1@7 hw 0
$tc qdisc replace dev swp2 parent 1:2 cbs locredit -1470
hicredit 30 sendslope -980000 idleslope 20000 offload 1
```



```
$tc qdisc replace dev swp2 parent 1:3 cbs locredit -1440
hicredit 60
sendslope -960000 idleslope 40000 offload 1
```

2. Send one stream with PCP=1 from TestCenter to receive the stream bandwidth of 20Mbit/s from swp2.
3. Send two streams from TestCenter, then check the frames count.

```
ethtool -S swp2
```

4. Delete the cbs rules.

```
tc qdisc del dev swp2 parent 1:2 cbs
tc qdisc del dev swp2 parent 1:3 cbs
```

7.8.1.4.7 Seamless redundancy test case

The following figure describes the test setup for the seamless redundancy test case.

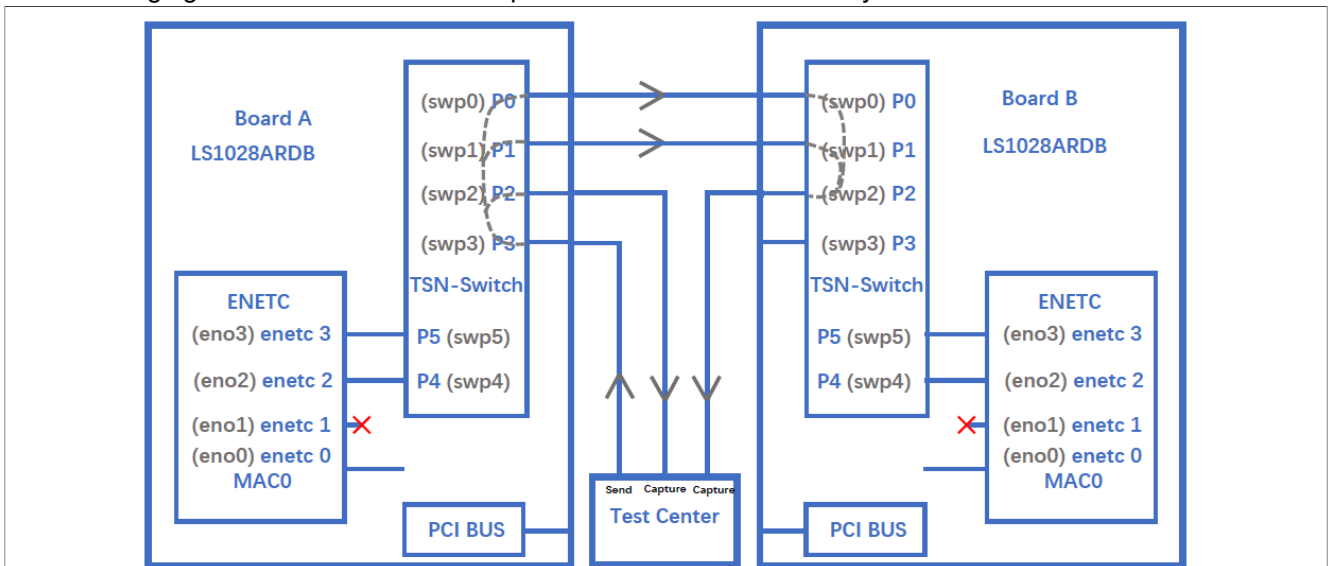


Figure 175. Seamless redundancy test

7.8.1.4.7.1 Sequence Generator test

Use the following set of commands for the 'Sequence Generator' test.

1. Configure switch ports to be forward mode.

**On board A:**

```
ip link add name switch type bridge vlan_filtering 1
ip link set switch up
ip link set swp0 master switch && ip link set swp0 up
ip link set swp1 up
ip link set swp2 master switch && ip link set swp2 up
ip link set swp3 master switch && ip link set swp3 up
bridge vlan add dev swp0 vid 1 pvid
bridge vlan add dev swp1 vid 1 pvid
bridge vlan add dev swp2 vid 1 pvid
bridge vlan add dev swp3 vid 1 pvid
```

**On board B**

```
ip link add name switch type bridge vlan_filtering 1
```

```
ip link set switch up
ip link set swp0 master switch && ip link set swp0 up
ip link set swp1 master switch && ip link set swp1 up
ip link set swp2 master switch && ip link set swp2 up
ip link set swp3 master switch && ip link set swp3 up
bridge vlan add dev swp0 vid 1 pvid
bridge vlan add dev swp1 vid 1 pvid
bridge vlan add dev swp2 vid 1 pvid
bridge vlan add dev swp3 vid 1 pvid
```

2. On board A, run the commands:

```
bridge fdb add 7E:A8:8C:9B:41:DD dev swp2 vlan 1 master static
tsntool> cbstreamidset --device swp0 --nullstreamid --nullldmac 0x7EA88C9B41DD
--nullvid 1 --streamhandle 1
tsntool> cbgen --device swp0 --index 1 --iport_mask 0x08 --split_mask 0x07 --
seq_len 16 --seq_num 2048
```

In the command above,

- device: can be any one of switch ports.
- index: value is the same as streamhandle of cbstreamidset.

3. Send a stream from TestCenter to swp3 of board A, set destination mac as 7E:A8:8C:9B:41:DD.

4. Capture frames on swp2 on TestCenter.

We can get frames from swp2 on TestCenter, each frame adds the sequence number: 23450801, 23450802, 23450803...

5. Capture frames from swp2 of board B on TestCenter, we can get the same frames.

#### 7.8.1.4.7.2 Sequence Recover test

Use the following steps for the **Sequence Recover** test:

1. On board B, run the following commands:

```
bridge fdb add 7E:A8:8C:9B:41:DD dev swp0 vlan 1 master static
tsntool> cbstreamidset --device swp2 --nullstreamid --nullldmac
0x7EA88C9B41DD --nullvid 1 --streamhandle 1
tsntool> cbrec --device swp0 --index 1 --seq_len 16 --his_len 31 --
rtag_pop_en
```

In the cbrec command mentioned above:

- device: can be any one of switch ports.
- index: value is the same as streamhandle of cbstreamidset.

2. Send a frame from TestCenter to swp3 of board A, set dest mac to be 7E:A8:8C:9B:41:DD.

3. Capture frames from swp2 of board B on TestCenter, we can get only one frame without sequence tag.

#### 7.8.1.4.8 TSN stream identification

TSN module uses QoS class to identify and control streams. There are three ways to identify the stream to different QoS class. These are explained in the following sections.

##### 7.8.1.4.8.1 Stream identification based on PCP value of Vlan tag

The default QoS class is based on PCP of Vlan tag for a frame. If there is no Vlan tag for a frame, the default QoS class is 0.

Set the PCP value on TestCenter.

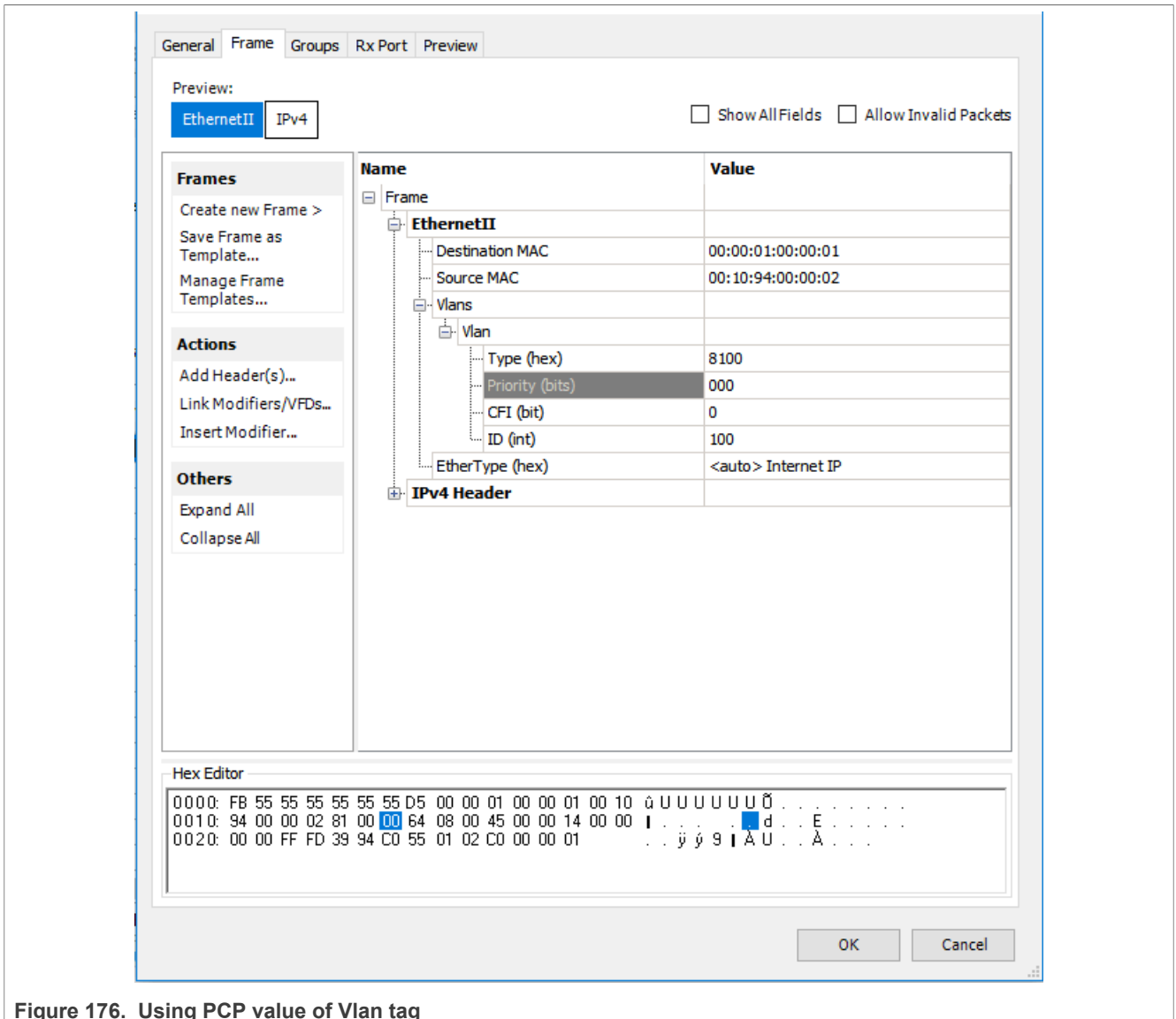


Figure 176. Using PCP value of Vlan tag

### 7.8.1.4.8.2 Based on DSCP of ToS tag

Use the below steps to identify stream based on DSCP value of ToS tag.

1. Map the DSCP value to a specific QoS class using the command below:

```
tsntool> dscpset --device swp0 --index 1 --cos 1 --dpl 0
```

**Explanation:**

- index: DSCP value of stream, 0-63.
  - cos: QoS class which is mapped to.
  - dpl: Drop level which is mapped to.
2. Set the DSCP value on TestCenter. DSCP value is the upper six bits of ToS in IP header, set the DSCP value on TestCenter as shown in the following figure.

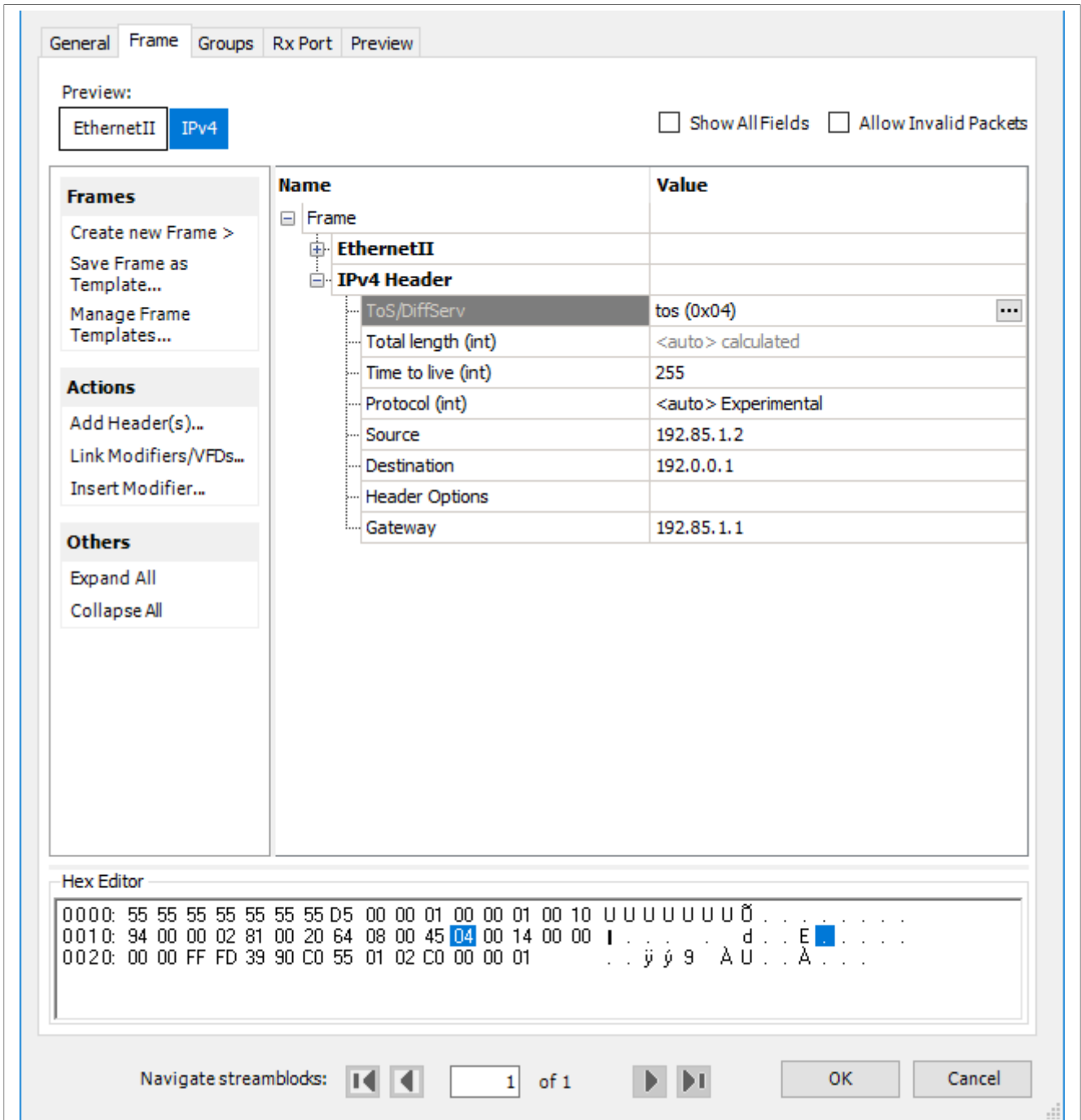


Figure 177. Setting DSCP value on TestCenter

### 7.8.1.4.8.3 Based on qci stream identification

The following steps describe how to use qci to identify the stream and set it to a QoS class.

1. Identify a stream.

```

tsntool> cbstreamidset --device swp1 --nullstreamid --nulldmac 0x000183fe1201
--nullvid 1 --streamhandle 1

```

```
tsntool> qcisfiset --device swp0 --index 1 --gateid 1 --flowmeterid 68
```

2. Set to Qos class 3 by using stream gate control.

```
echo "t0 1b 3 50000 200" > sgi.txt
tsntool> qcisgiset --device swp0 --enable --index 1 --initgate 1 --initipv 0
--gatelistfile sgi.txt
```

## 7.9 General networking performance considerations

The following factors should be regarded when configuring the system for high-performance scenarios, such as RFC2544 benchmarking tests.

- **The CONFIG\_NR\_CPUS kernel option**

A value too high can lead to too many allocated resources that in turn can strain the system. Setting this option to 16 is recommended. This is the maximum number of cores on NXP ARM64 platforms, and the default value in the Layerscape LDP defconfig.
- **The CONFIG\_PREEMPT kernel option**

The default configuration (PREEMPT=y) is intended for low-latency use cases, with a cost on throughput. If maximum throughput is required, disabling this config by selecting "No Forced Preemption (Server)" at build is recommended.
- **Impact of IOMMU translations**

IOMMU support has a significant impact on networking performance. For benchmarking purposes, it is recommended to keep IOMMU in passthrough mode. For kernels newer than v4.18, this can be done through the CONFIG\_IOMMU\_DEFAULT\_PASSTHROUGH=y Kconfig option, which is enabled by default in the Layerscape LDP defconfig, or by adding the `iommu.passthrough=1` bootarg. For older kernels, such as v4.14, only the bootarg option is available.
- **Other CPU-intensive kernel features**

Unnecessary CPU-intensive kernel features should be deactivated in order to eliminate their overhead when networking performance is critical. A few recommended options to be disabled are:

  - CONFIG\_NETFILTER
  - CONFIG\_CPU\_FREQ
  - CONFIG\_USB\_SUPPORT
  - CONFIG\_MMC
  - other peripheral support that is not required
- **The root file system size**

Background processes consume resources and should be kept to a minimum. A stripped down root file system will prevent unnecessary processes from starting up. For a fair networking performance comparison of two kernels, the same processes should be running in the background. These can be investigated with the `ps ax` command.
- **The default queueing discipline**

Starting with Linux kernel versions v5.6 and v5.4.24 stable, changes made to the default `pfifo_fast` qdisc impacted the networking subsystem and decreased the performance of some networking scenarios. These changes were made to prevent out-of-order frames. Changing the default qdisc to `fq_codel` can overcome some of the degradation while avoiding out-of-order frames. This can be achieved by enabling the following kernel configuration options:

  - CONFIG\_NET\_SCH\_FQ\_CODEL=y
  - CONFIG\_NET\_SCH\_DEFAULT=y
  - CONFIG\_DEFAULT\_FQ\_CODEL=y

A more aggressive approach for maximizing performance is reverting the offending patch from the kernel source tree, with the risk of introducing out-of-order frames. The patch in question is 63d5320a0c9b ("Revert "net: dev: introduce support for sch BYPASS for lockless qdisc").

For additional architecture-specific performance optimization guidelines, see the following sections:

- DPAA 1.x [Section 7.2.2.7](#)
- DPAA2 [Section 7.3.2.3.5](#)
- ENETC [Section 7.6.2.4](#)

## 8 Linux user space

---

### 8.1 Libraries

This topic explains OpenSSL and Runtime Assembler libraries.

#### 8.1.1 OpenSSL

##### 8.1.1.1 OpenSSL offload

The Secure Socket Layer (SSL) protocol is the most widely deployed application protocol to protect data during transmission by encrypting the data using commonly used cipher algorithms such as AES, DES and 3DES. Apart from encryption, it also provides message authentication services using hash/digest algorithms such as SHA1 and MD5. SSL is widely used in application web servers (HTTP) and other applications such as SMTP POP3, IMAP, and Proxy servers, where protection of data in transit is essential for data integrity. There are various versions of SSL protocol such as TLSv1.0, TLSv1.1, TLSv1.2, TLSv1.3, and DTLS (Datagram TLS). This document describes NXP SSL acceleration solution on i.MX platforms using OpenSSL:

- OpenSSL software architecture
- Building OpenSSL with hardware offload support
- Examples of OpenSSL Offloading

##### 8.1.1.1.1 OpenSSL software architecture

The SSL protocol is implemented as a library in OpenSSL - the most popular library distribution in Linux and BSD systems. The OpenSSL library has several sub-components such as:

- SSL protocol library
- SSL protocol library Crypto library (Symmetric and Asymmetric cipher support, digest support, etc.)
- Certificate Management

The following figure presents the general interconnect architecture for OpenSSL. Each relevant layer is represented with a clear separation between Linux User Space and Linux Kernel Space.

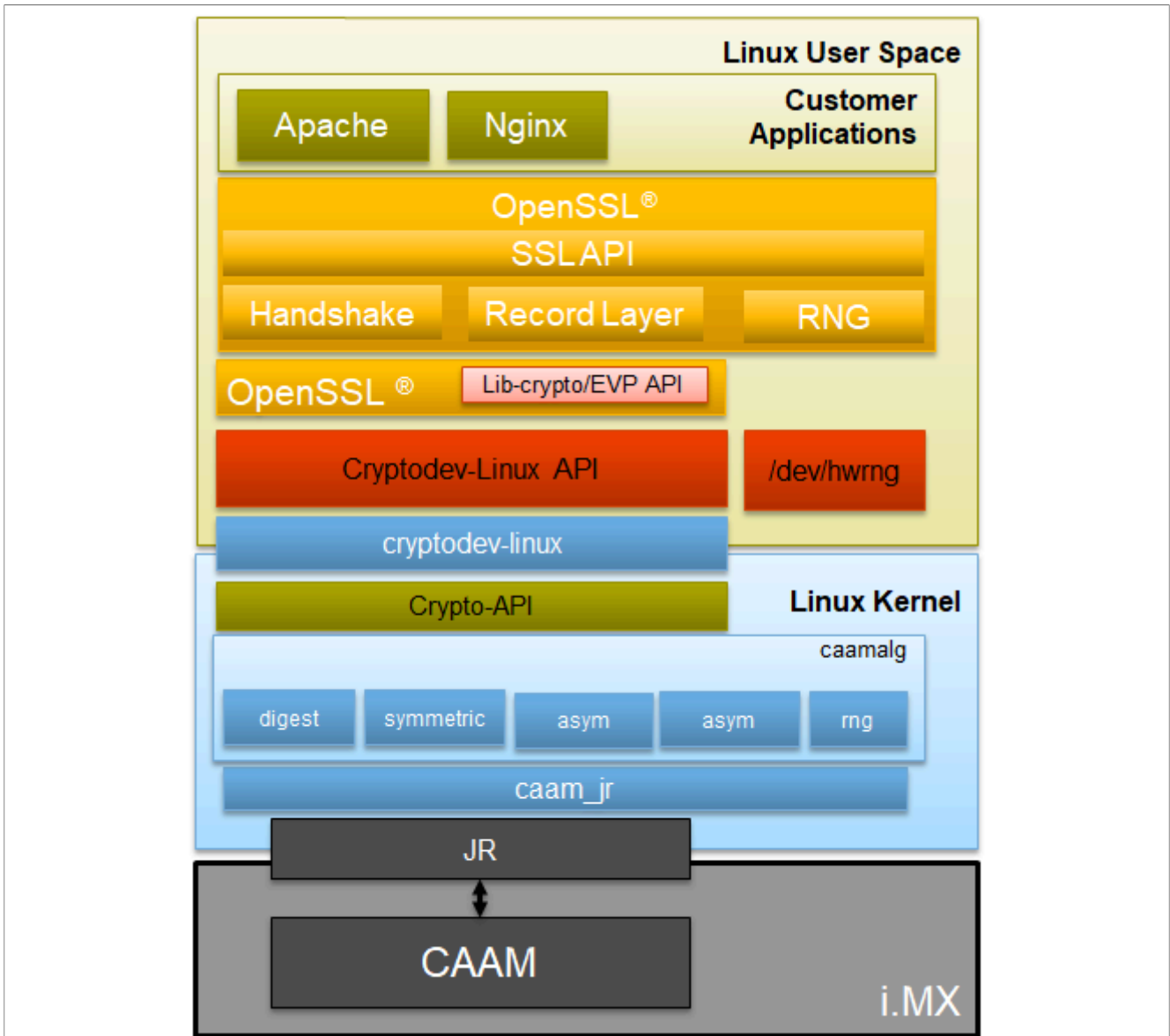


Figure 178. OpenSSL Software stack architecture

### 8.1.1.1.2 OpenSSL's ENGINE interface

OpenSSL Crypto library provides Symmetric and Asymmetric (PKI) cipher support that is used in a wide variety of applications such as OpenSSH, OpenVPN, PGP, IKE, and XML-SEC. The OpenSSL Crypto library provides software support for:

- Cipher algorithms
- Digest algorithms
- Random number generation
- Public Key Infrastructure

Apart from the software support, the OpenSSL can offload these functions to hardware accelerators through the ENGINE interface. The ENGINE interface provides callback hooks that integrate hardware accelerators with

the crypto library. The callback hooks provide the glue logic to interface with the hardware accelerators. Generic offloading of cipher and digests algorithms through Linux kernel is possible with cryptodev engine.

### 8.1.1.1.3 NXP solution for OpenSSL hardware offloading

The following layers can be observed in NXP's solution for OpenSSL hardware offloading:

- OpenSSL (user space): implements the SSL protocol
- `cryptodev-engine` (user space): implements the OpenSSL ENGINE interface; talks to `cryptodev-linux` (`/dev/crypto`) through `ioctl`s, offloading cryptographic operations in the kernel
- `cryptodev-linux` (kernel space): Linux module that translates `ioctl` requests from `cryptodev-engine` into calls to Linux Crypto API
- `AF_ALG` is a netlink-based in the kernel asynchronous interface that adds an `AF_ALG` address family introduced in 2.6.38.
- Linux Crypto API (kernel space): Linux kernel crypto abstraction layer
- CAAM driver (kernel space): Linux device driver for the CAAM crypto engine

The following are offloaded in hardware in current BSP:

- Symmetric Ciphering operations - AES (CBC, ECB), 3DES (CBC, ECB)
- Digest Operations - SHA (1, 256, 384, 512), MD5
- Public Key Operations - RSA Sign (1k, 2k, 4k) / RSA Verify (1k, 2k, 4k)

### 8.1.1.1.4 Deploying OpenSSL into rootfs

Typically, the `imx-image-full` includes the OpenSSL and `cryptodev` modules, but for other Yocto targets, users need to update the `conf` file from the build directory. Update `conf/local.conf` by adding the following line:

```
CORE_IMAGE_EXTRA_INSTALL+="cryptodev-module openssl-bin"
```

Restart the build procedure:

```
bitbake imx-image-full
```

### 8.1.1.1.5 Running OpenSSL benchmarking tests with cryptodev engine

Probe the `cryptodev`-module:

```
root@imx8qxpmeek:~# modprobe cryptodev
[17044.896494] cryptodev: driver 1.10 loaded.
root@imx8qxpmeek:~# openssl engine
(devcrypto) /dev/crypto engine
(dynamic) Dynamic engine loading support
root@imx8qxpmeek:~#
```

#### Note:

Starting from OpenSSL 1.1.1, the `cryptodev` engine is invoked by OpenSSL by default if the corresponding module has been inserted in the kernel. Thus to perform only SW benchmark test using OpenSSL, remove the `cryptodev` module by running `rmmod cryptodev`.



### 8.1.1.1.5.1 Running OpenSSL benchmarking tests for symmetric ciphering and digest

In the speed test file, a series of performance tests are made to check the performance of the symmetric and digest operations. The following is described in the OpenSSL test execution:

```
root@imx8qxpmeek:~# openssl speed -engine devcrypto -multi 8 -elapsed -evp aes-128-cbc
Forked child 1
engine "devcrypto" set.
Forked child 2
engine "devcrypto" set.
...
Got: +F:22:aes-128-cbc:378616.72:1611328.00:5084501.33:13994666.67:10731793.98:16219060.40 from 6
Got: +H:16:64:256:1024:8192:16384 from 7
Got: +F:22:aes-128-cbc:120773.33:9344.00:3088298.67:13588480.00:31642965.33:16471967.79 from 7
OpenSSL 1.1.1b 26 Feb 2019
built on: Thu Nov 14 13:22:07 2019 UTC
options:bn(64,64) rc4(char) des(int) aes(partial) idea(int) blowfish(ptr)
compiler: aarch64-poky-linux-gcc --sysroot=recipe-sysroot -O2 -pipe -g -feliminate-unused-debug-
types -fmacro-prefix-map=
-fdebug-prefix-map= -fdebug-prefix-map= -fdebug-prefix-map= -DOPENSSL_USE_NODELETE -DOPENSSL_PIC -
DOPENSSL_CPUID_OBJ -DOPENSSL_BN_ASM_MONT
-DSHA1_ASM -DSHA256_ASM -DSHA512_ASM -DKECCAK1600_ASM -DVPAES_ASM -DECP_NISTZ256_ASM -DPOLY1305_ASM
-DNDEBUG
evp 2242.05k 9681.05k 35017.46k 106866.86k 127787.74k 130077.23k
root@imx8qxpmeek:~#
```

Additional ciphers that could be benchmarked: aes-192-cbc, aes-256-cbc, aes-128-ecb, aes-192-ecb, aes-256-ecb, aes-128-ctr, aes-192-ctr, aes-256-ctr, des-cbc, des-cbc, des-ede3-cbc.

Additional digests that could be benchmarked: sha1, sha224, sha256, sha384, sha512, md5.

## 8.1.2 Runtime Assembler Library Reference

Use the Runtime Assembler Library to write SEC descriptors.

### 8.1.2.1 Runtime Assembler Library Reference

Use the Runtime Assembler Library to write SEC descriptors. This reference describes the structure, concept, functionality, and high-level API.

[Click here](#) to access the Writing descriptors for NXP CAAM using RTA library PDF.

## 8.2 Data Plane Development Kit (DPDK)

### 8.2.1 Introduction

DPDK is a user space packet processing framework.

This guide contains instructions for installing and configuring the user space Data Plane Development Kit (DPDK) v21.11 software. Besides highlighting the applicable platforms, this guide describes steps for compiling and executing sample DPDK applications in a Linux application (*linuxapp*) environment over Layerscape boards.

OVS-DPDK is a software switching package which uses DPDK as the underlying platform. The guide also details methods to execute *ovs-dpdk* with DPDK over Layerscape boards.

8.2.1.1 Supported platforms and platform-specific details

DPDK supports LS1012A, LS1028A, LS1043A, LS1046A, LS1088A, LS2088A, and LX2160 family of SoCs. This section details the architectural and port layout of their Reference Design Boards. Port layout information is especially relevant while executing DPDK applications - to map DPDK port number to physical ports.

Refer to the following for board-specific information:

8.2.1.1.1 LS1012A Reference Design Board (RDB)

LS1012A is a PPF E-based platform.

For more information on LS1012ARDB, see [www.nxp.com/LS1012ARDB](http://www.nxp.com/LS1012ARDB).

8.2.1.1.1.1 Hardware specification of LS1012ARDB

Figure 179 shows LS1012A hardware design.

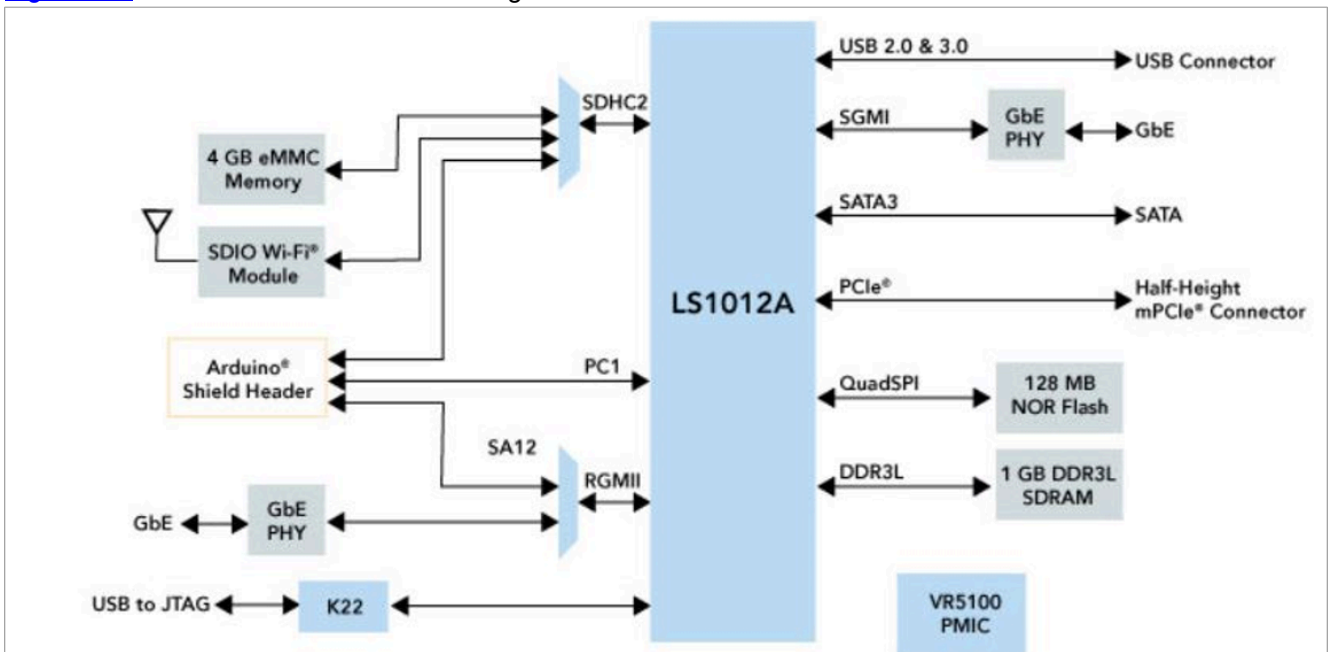


Figure 179. LS1012A reference design

8.2.1.1.1.2 LS1012ARDB port layout

The port layout of LS1012ARDB is given below:

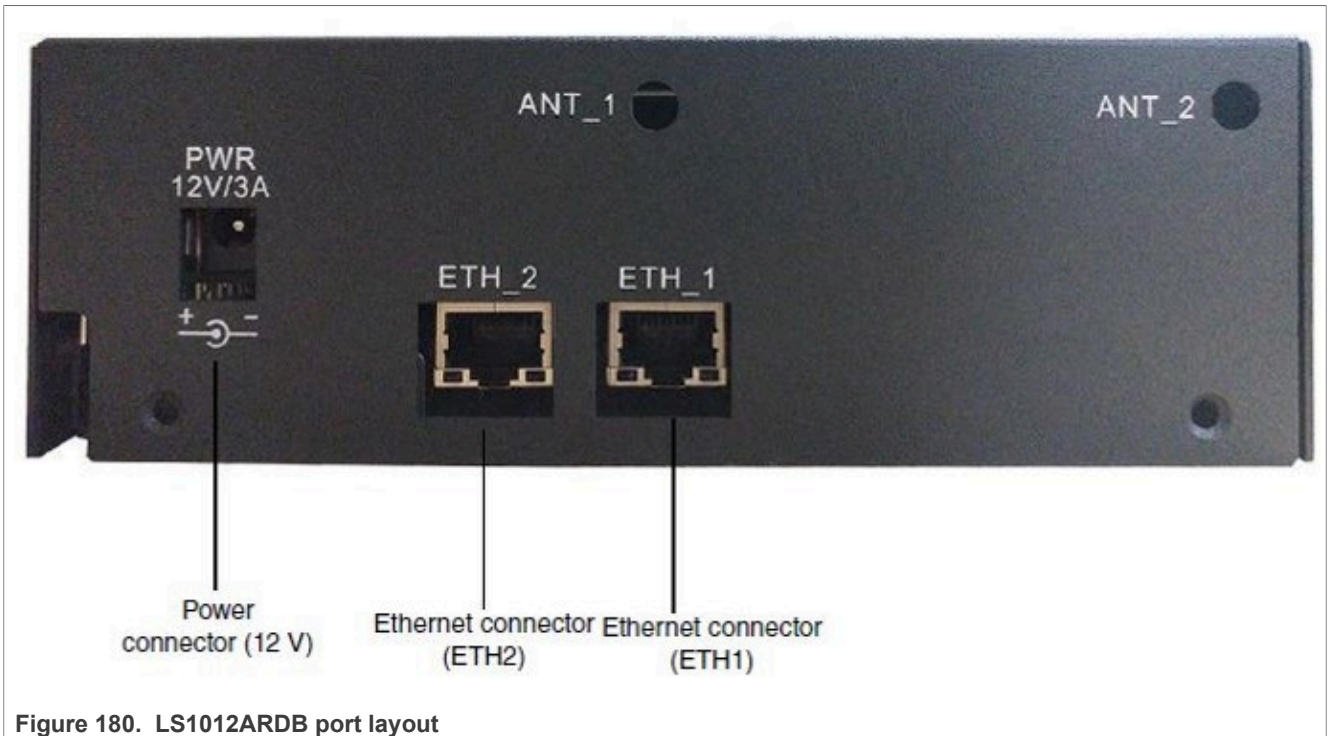


Figure 180. LS1012ARDB port layout

### 8.2.1.1.1.3 Ethernet ports

Table 164 lists the Ethernet ports and their corresponding DPDK port names.

Table 164. Ethernet ports

Label on Case	DPDK vdev port names
ETH1	eth_pfe0
ETH2	eth_pfe1

### 8.2.1.1.2 LS1028A Reference Design Board (RDB)

The LS1028A industrial applications processor includes a TSN-enabled Ethernet switch and Ethernet controllers to support converged IT and OT networks. For more information on LS1028ARDB, <http://www.nxp.com/LS1028ARDB>.

#### Hardware specification

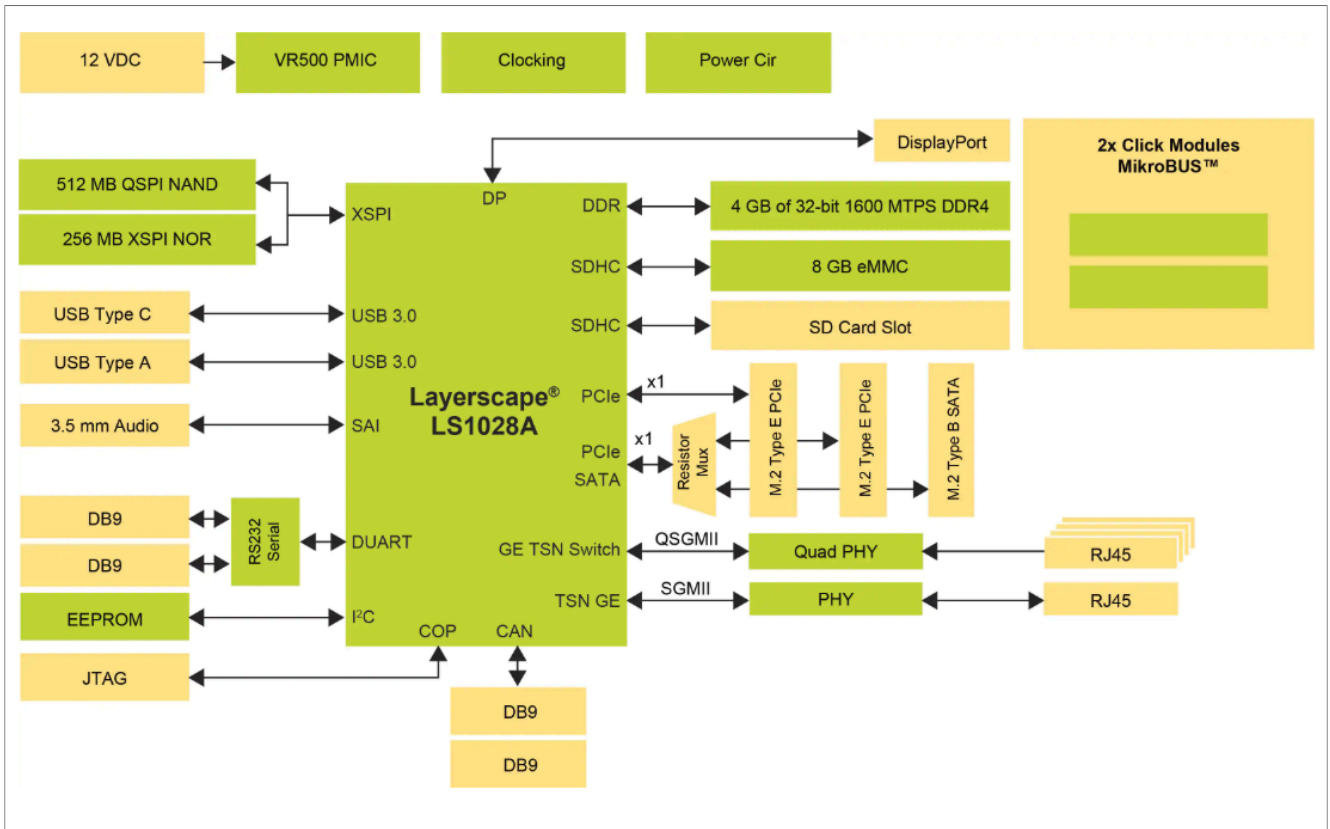


Figure 181. LS1028A architecture

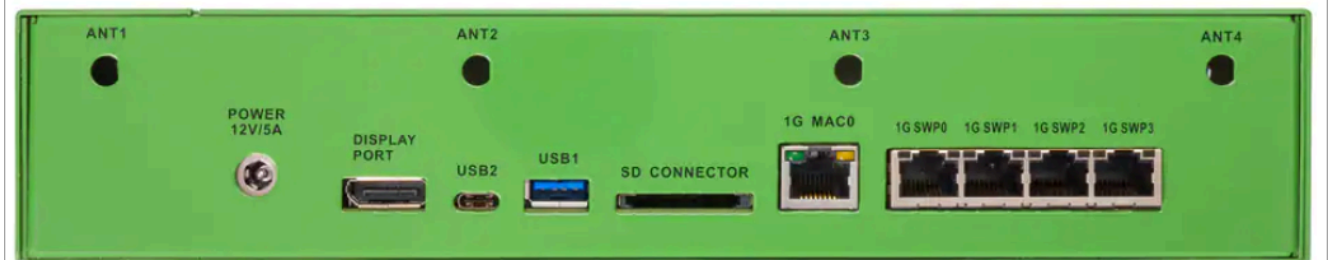


Figure 182. LS1028ARDB port layout

Label on Case	PCI address of interface
1G MAC0	0000:00:00.0
1G SWP0	NA
1G SWP1	NA
1G SWP2	NA
1G SWP3	NA

### 8.2.1.1.3 LS1043A Reference Design Board (RDB)

LS1043A is a DPAA-based platform. For more information on LS1043ARDB, see [www.nxp.com/LS1043ARDB](http://www.nxp.com/LS1043ARDB)

8.2.1.1.3.1 Hardware Specification of LS1043ARDB

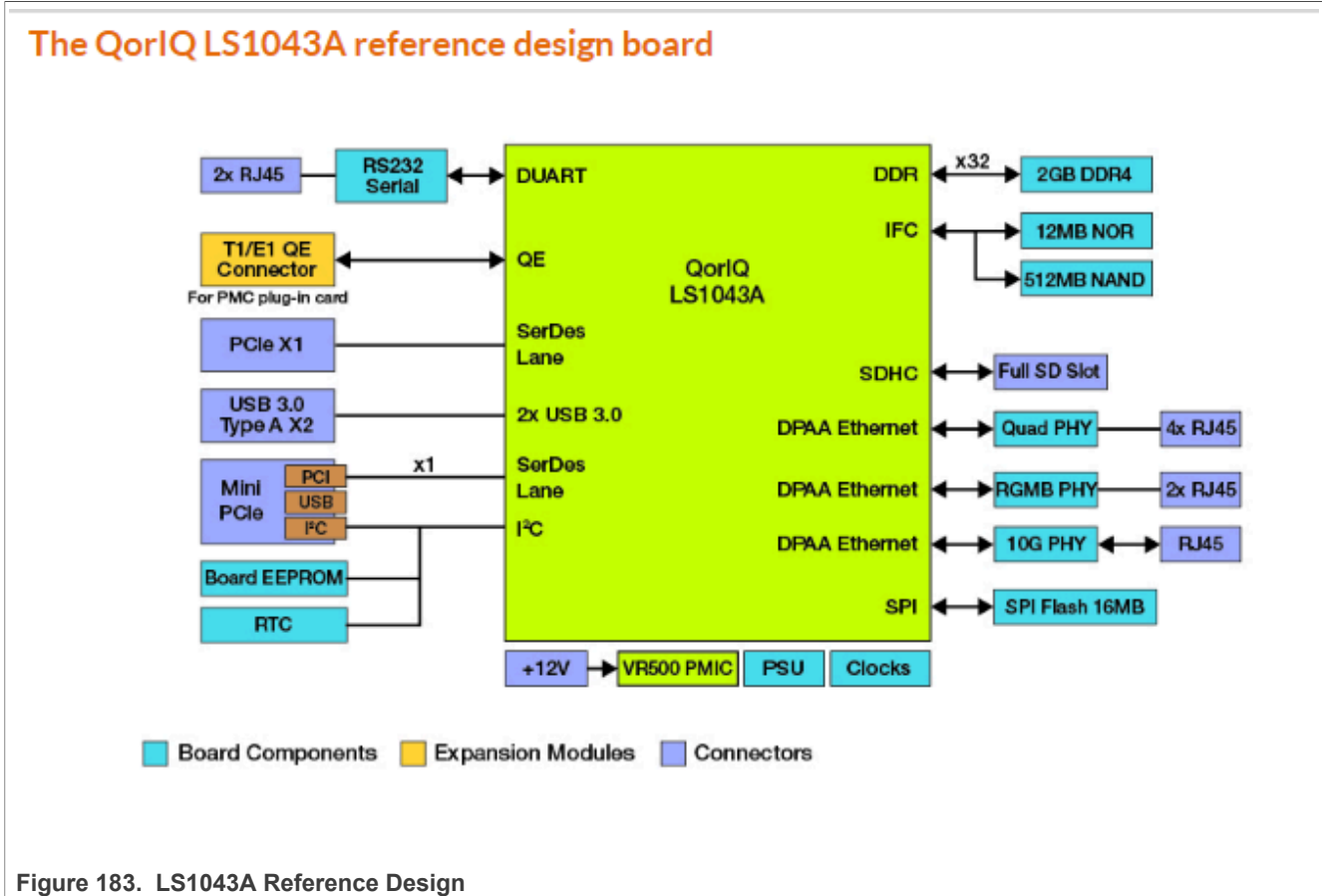


Figure 183. LS1043A Reference Design

8.2.1.1.3.2 LS1043ARDB Port Layout



Figure 184. LS1043A Port Layout

Label on Case	FMan Port Names	User space Ports	Comment
QSGMII.P0	FM0-MAC1	0	1G Port
QSGMII.P1	FM0-MAC2	1	1G Port
RGMII1	FM0-MAC3	2	1G Port

RGMII2	FM0-MAC4	3	1G Port
QSGMII.P2	FM0-MAC5	4	1G Port
QSGMII.P3	FM0-MAC6	5	1G Port
10G	FM0-MAC9	6	10G - Copper Port

**Note:** Information provided in the "User space Ports" column above is conditional to default Device tree (DTB) provided as part of Board Support Package. The ordering can change for a custom DTB.

### 8.2.1.1.4 LS1046A Reference Design Board (RDB) / LS1046A Freeway Board (FRWY)

LS1046A is a DPAA-based platform. For more information on LS1046ARDB, see [www.nxp.com/LS1046ARDB](http://www.nxp.com/LS1046ARDB) and for LS1046A Freeway, see [www.nxp.com/FRWY-LS1046A](http://www.nxp.com/FRWY-LS1046A).

#### 8.2.1.1.4.1 Hardware specification of LS1046ARDB

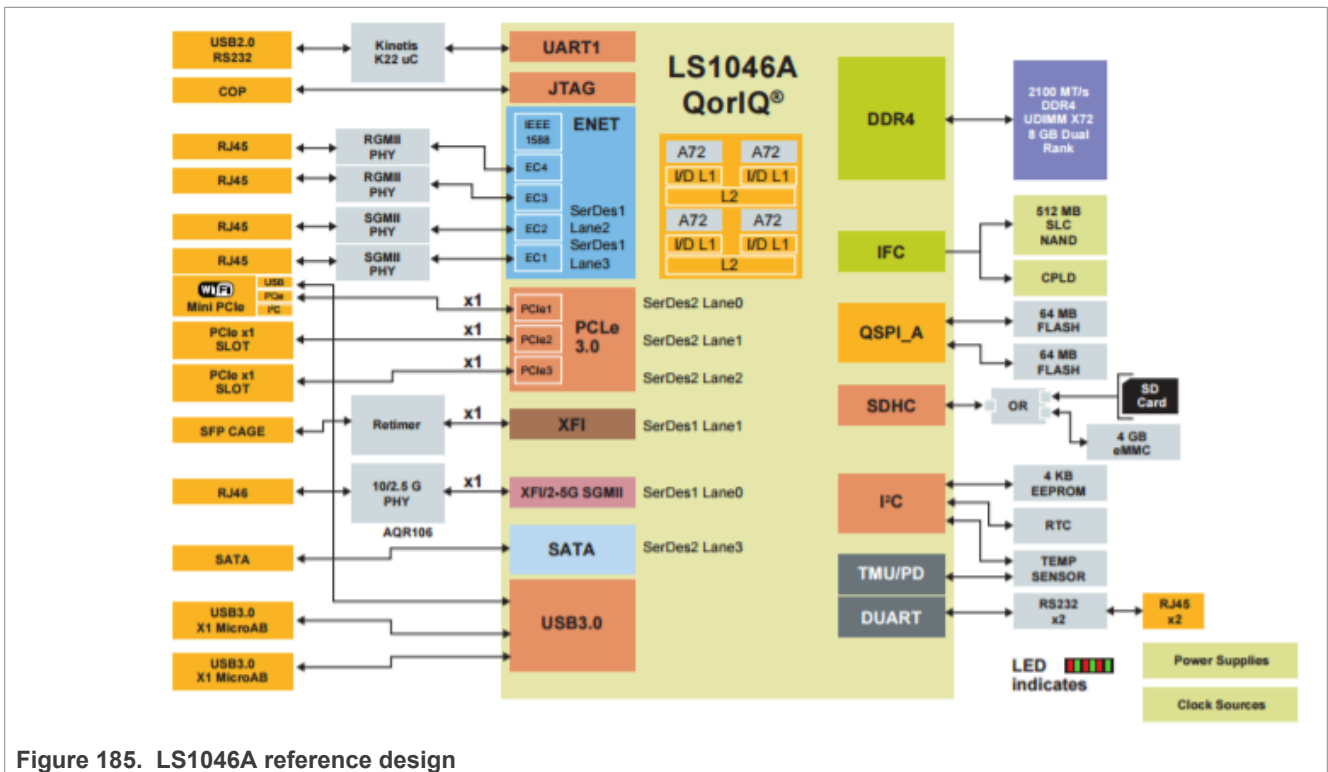


Figure 185. LS1046A reference design

8.2.1.1.4.2 LS1046ARDB port layout



Figure 186. LS1046ARDB port layout

Label on case	FMan port names	User space ports	Comment
RGMII1	FM0-MAC3	0	1G Port
RGMII2	FM0-MAC4	1	1G Port
SGMII1	FM0-MAC5	2	1G Port
SGMII2	FM0-MAC6	3	1G Port
10G-Copper	FM0-MAC9	4	10G – Copper Port
10G-SFP+	FM0-MAC10	5	10G – SFP+ Optical Port

**Note:** Information provided in the "User space Ports" column above is conditional to default Device tree (DTB) provided as part of Layerscape LDP. The ordering can change for a custom DTB.

8.2.1.1.4.3 FRWY-LS1046A port layout

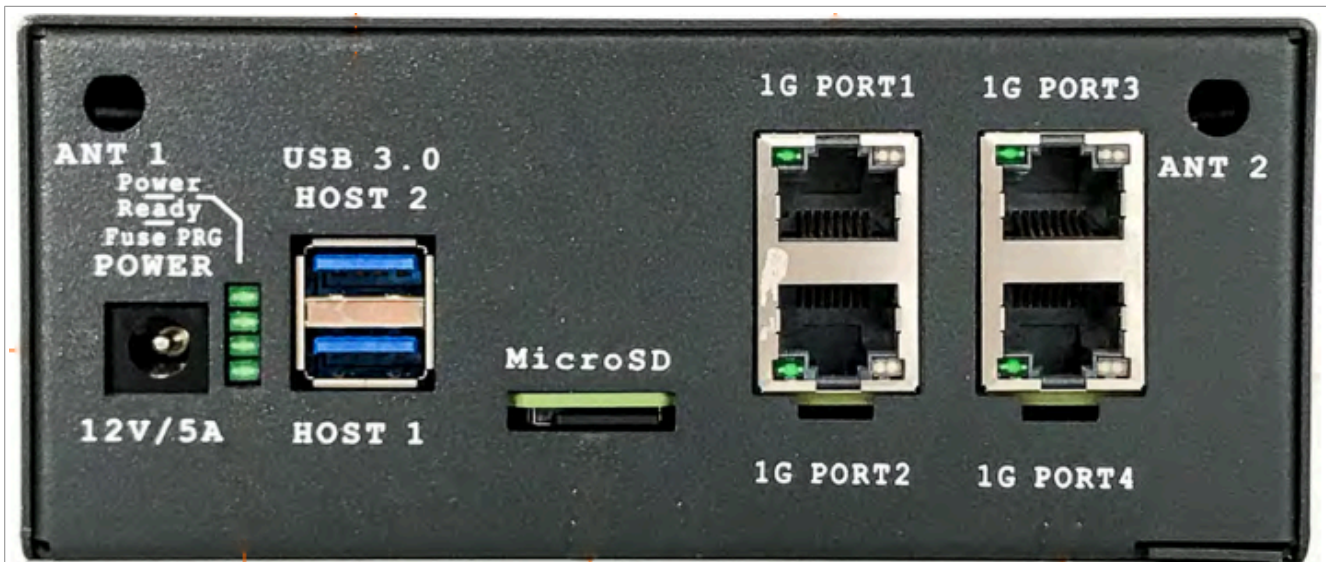


Figure 187. FRWY-LS1046A port layout

Label on case	FMan port names	User space ports	Comment
1G PORT1	FM0-MAC1	0	1G Port
1G PORT2	FM0-MAC5	1	1G Port

Label on case	FMan port names	User space ports	Comment
1G PORT3	FM0-MAC6	2	1G Port
1G PORT4	FM0-MAC10	3	1G Port

8.2.1.1.5 LS1088A Reference Design Board (RDB)

LS1088A is a DPAA2 based platform. For more information on LS1088A, see [www.nxp.com/LS1088ARDB](http://www.nxp.com/LS1088ARDB).

8.2.1.1.5.1 Hardware Specifications of LS1088ARDB

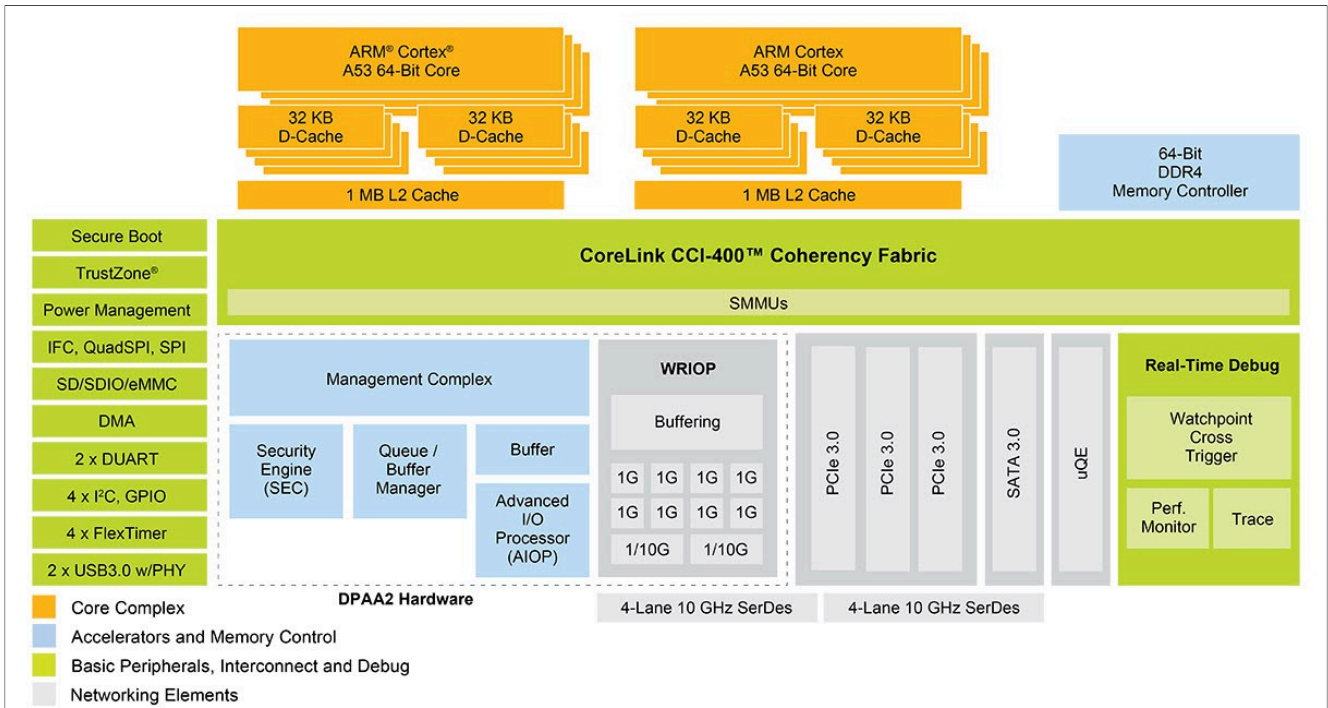


Figure 188. LS1088A Architecture

8.2.1.1.5.2 LS1088ARDB Port Layout

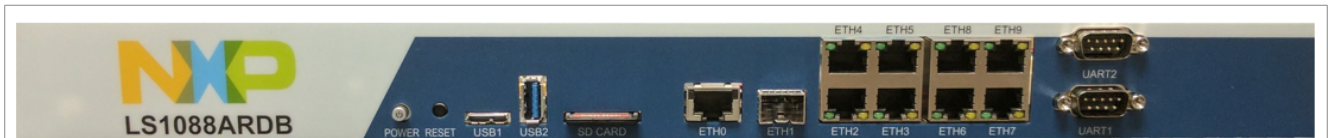


Figure 189. LS1088ARDB Port Layout

Label on Case	Physical Ports	Comment
ETH0	DPMAC.1	10G - Copper port
ETH1	DPMAC.2	10G – SFP+ (Optical port)
ETH2	DPMAC.7	QSGMII port (1G)
ETH3	DPMAC.8	QSGMII port (1G)
ETH4	DPMAC.9	QSGMII port (1G)



ETH5	DPMAC.10	QSGMII port (1G)
ETH6	DPMAC.3	QSGMII port (1G)
ETH7	DPMAC.4	QSGMII port (1G)
ETH8	DPMAC.5	QSGMII port (1G)
ETH9	DPMAC.6	QSGMII port (1G)

8.2.1.1.6 LS2088A Reference Design Board (RDB)

LS2088A is a DPAA2 based platform. For more information on LS2088A, see [www.nxp.com/LS2088ARDB](http://www.nxp.com/LS2088ARDB).

8.2.1.1.6.1 Hardware specifications

LS2088A Reference Design Board

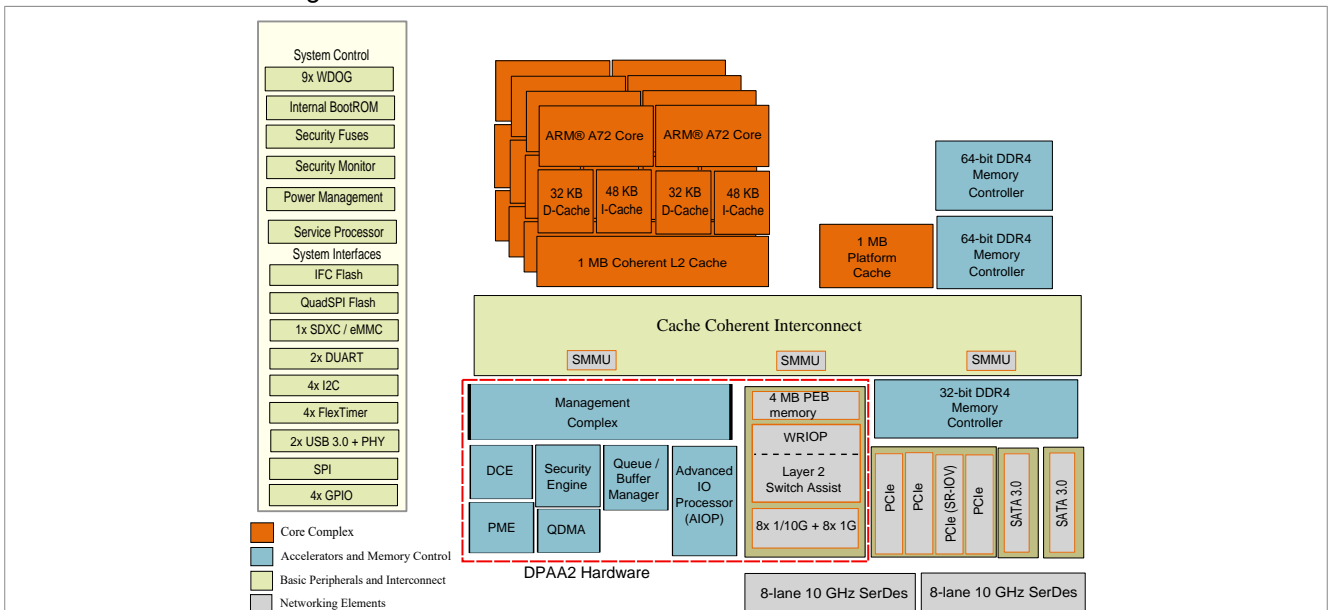


Figure 190. LS2088A Architecture

8.2.1.1.6.2 LS2088ARDB Port Layout



Figure 191. LS2088ARDB Port Layout

Label on Case	Physical Ports	Comment
ETH0	DPMAC.5	10G - Copper port
ETH1	DPMAC.6	10G - Copper port
ETH2	DPMAC.7	10G - Copper port
ETH3	DPMAC.8	10G - Copper port

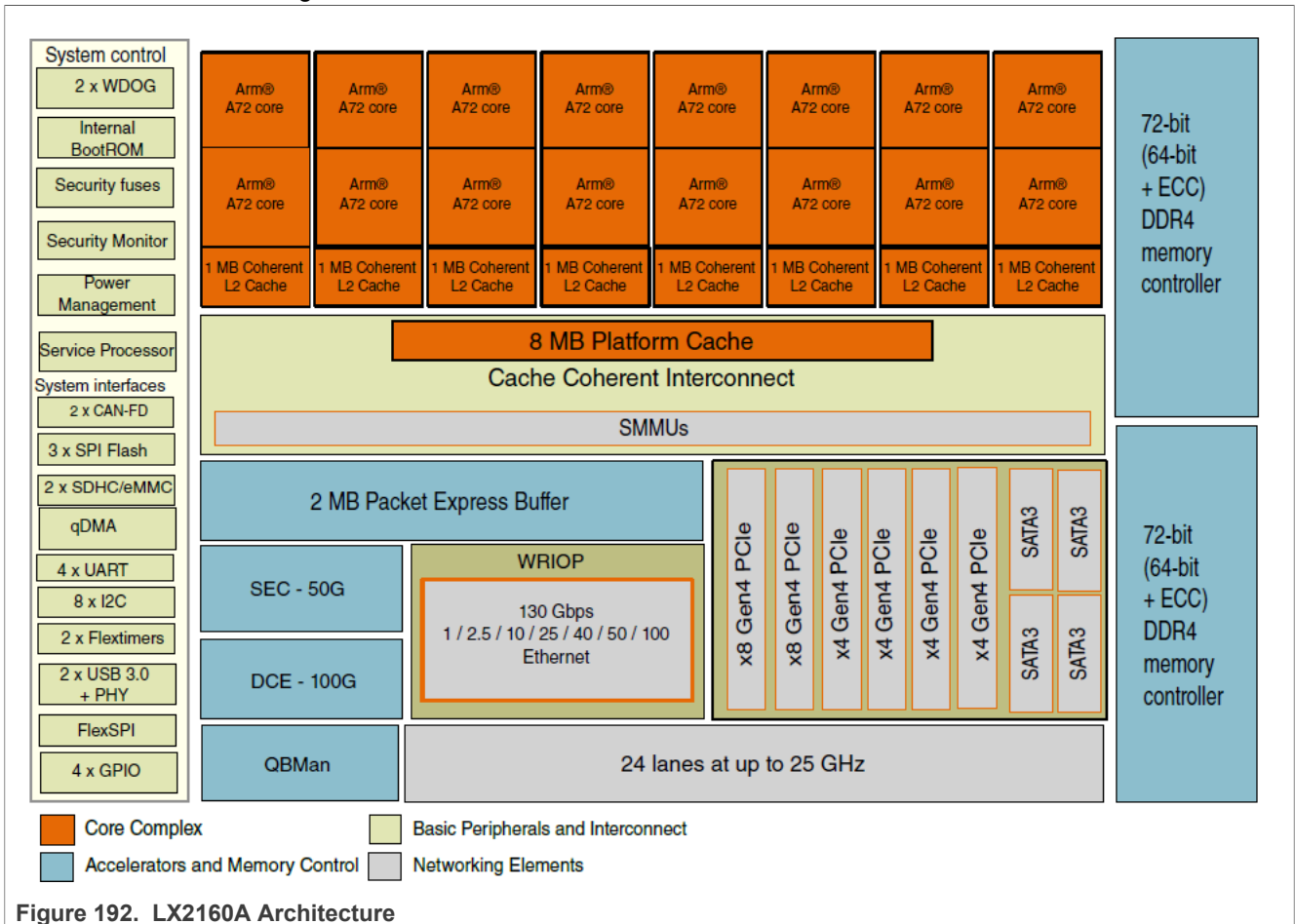
ETH4	DPMAC.1	10G – SFP+ (Optical port)
ETH5	DPMAC.2	10G – SFP+ (Optical port)
ETH6	DPMAC.3	10G – SFP+ (Optical port)
ETH7	DPMAC.4	10G – SFP+ (Optical port)

8.2.1.1.7 LX2160A Reference Design Board (RDB)

LX2160A is a DPAA2 based platform. For more information on LX2160, see [www.nxp.com/LX2160A](http://www.nxp.com/LX2160A).

8.2.1.1.7.1 Hardware specifications

LX2160A Reference Design Board



8.2.1.1.7.2 LX2160ARDB Port Layout

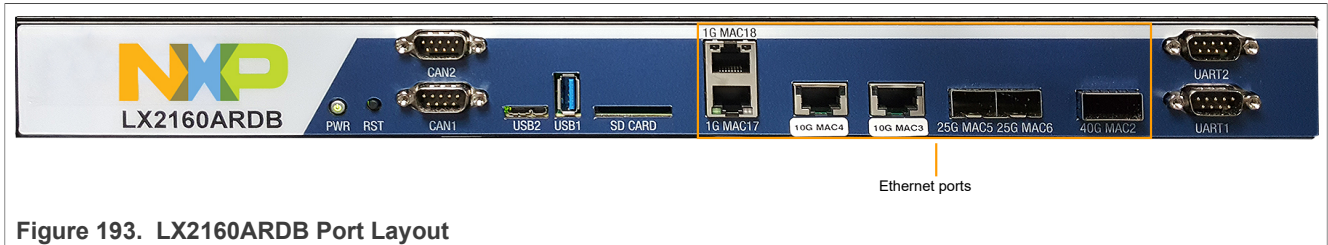


Figure 193. LX2160ARDB Port Layout

Table 165. Port Layout

Label on Case	Physical Ports	Comment
40G MAC2 (*)	dpmac.2	40G - Fiber port
10G MAC3	dpmac.3	10G - Copper port
10G MAC4	dpmac.4	10G - Copper port
25G MAC5	dpmac.5	25G - Fiber port
25G MAC6	dpmac.6	25G - Fiber port
10G MAC7 (*)	dpmac.7	10G - Fiber port
10G MAC8 (*)	dpmac.8	10G - Fiber port
10G MAC9 (*)	dpmac.9	10G - Fiber port
10G MAC10 (*)	dpmac.10	10G - Fiber port
1G MAC17	dpmac.17	1G - Copper port
1G MAC18	dpmac.18	1G - Copper port

**Note:** (\*) Only one configuration between 40G or 4x10G would be available - thus depending on SerDes configuration, only one of {dpmac.2} port or {dpmac.7, dpmac.8, dpmac.9, dpmac.10} would be available. 4x10G is available by using port-splitter on the 40G port (dpmac.2). For 4x10G configuration, use SerDes protocol 18.

8.2.1.1.7.3 SerDes Configuration

Following table shows the SerDes protocol configuration application for LX2160A boards. Based on the configuration of the protocol, either 4x10G ports, or 1x40G port is configured/visible. Detailed configurations and protocol information is available in [Quick start guide](#).

18	USXGMII / XFI.3	USXGMII / XFI.4	25GE.5	25GE.6	USXGMII / XFI.7	USXGMII / XFI.8	USXGMII / XFI.9	USXGMII / XFI.10	SSFFSSS S
19	USXGMII / XFI.3	USXGMII / XFI.4	25GE.5	25GE.6	40GE.2				SSFFSSS S

8.2.1.2 References

Table 166. DPDK Application References

Sample Applications	DPDK Web Manual Link	Description
---------------------	----------------------	-------------

**Table 166. DPDK Application References...continued**

Layer-2 Forwarding (l2fwd)	<a href="#">l2fwd usage</a>	Layer 2 Forwarding sample application setup and usage guide.
Layer-2 Forwarding with Crypto (l2fwd-crypto)	<a href="#">l2fwd-crypto</a>	Layer 2 Forwarding with Crypto sample application setup and usage guide.
Layer-3 Forwarding (l3fwd)	<a href="#">l3fwd usage</a>	Layer 3 Forwarding sample application setup and usage guide.
IPSec Gateway (ipsec-secgw)	<a href="#">ipsec-secgw usage</a>	IPSec Security Gateway sample application setup and usage guide.
PMD Test Application (testpmd)	<a href="#">testpmd usage</a>	Guide for test application which can be used to test all PMD supported features.
DPDK Web Guide	<a href="#">DPDK Documentation</a>	Link to DPDK Web Manual containing information about all supported PMD and Applications.

**Table 167. Release References**

Component	Base Upstream Release Versions
DPDK	2.11
OVS	2.16.90
PKTGEN	21.11.0

### 8.2.2 DPDK overview

Key goal of the DPDK is to provide a simple, complete framework for fast packet processing in data plane applications. Using the APIs provided as part of the framework, applications can leverage the capabilities of underlying network infrastructure.

The framework creates a set of libraries for target environments, layered through an Environment Abstraction Layer (EAL) which hides all the device glue logic beneath a set of consistent APIs. These environments are created through the use of configuration files. Once the EAL library is created, the user may link with the library to create their own applications. Various other libraries, outside EAL, including the Hash, Longest Prefix Match (LPM) and rings libraries are also available for performing specific operations. Sample applications are also provided to help understand various features and uses of DPDK framework.

DPDK implements a run-to-completion model for packet processing where all resources must be allocated prior to calling data plane applications, running as execution units on logical processing cores. In addition, a pipeline model may also be used by passing packets or messages between cores via rings. This allows work to be performed in stages, resulting in more efficient use of code on cores.

More information on general working of DPDK can be found through [DPDK website](#).

#### 8.2.2.1 DPDK platform support

This section describes the NXP Data Path Acceleration Architecture, see the diagram below:

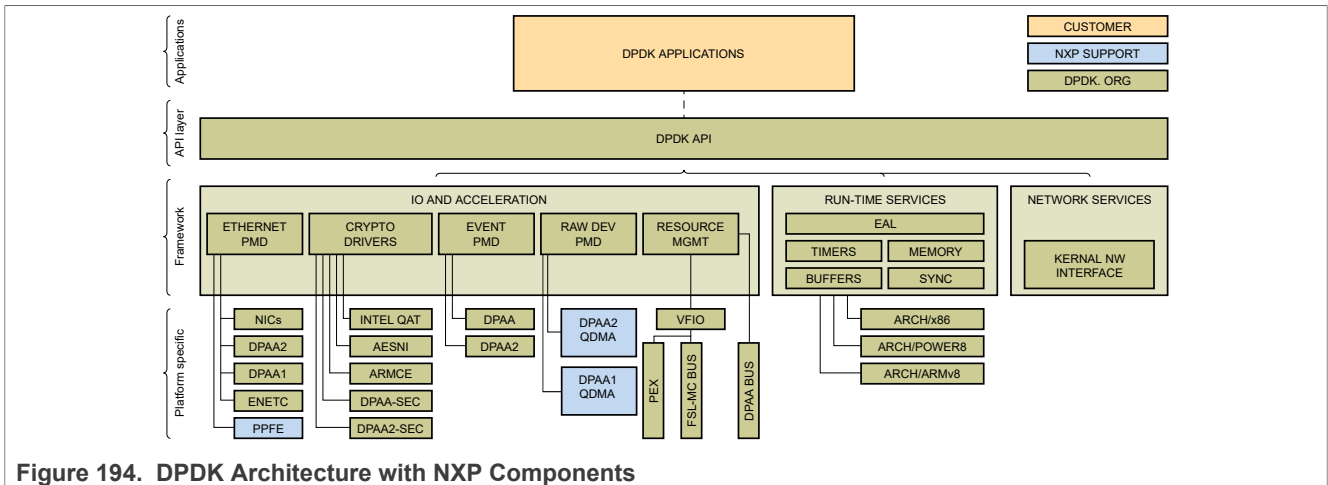


Figure 194. DDPK Architecture with NXP Components

The NXP Data Path Acceleration Architecture comprises of a set of hardware components, which are integrated via a hardware queue manager and use a common hardware buffer manager. Software accesses the DPAA via hardware components called "Software Portals". These directly provide queue and buffer manager operations, such as enqueues, dequeues, buffer allocations, and buffer releases and indirectly provide access to all of the other DPAA hardware components via the queue manager.

NXP DPAA architecture-based *PMD (Poll Mode Drivers)* has been added to DDPK infrastructure to support seamless working on NXP platform. With the addition of these drivers, DDPK framework on NXP platforms permits Linux user space applications to be build using standard DDPK APIs in a portable fashion. The drivers directly access the DPAA queue and buffer manager software portals in a high performance manner and the internal details remains hidden from higher-level DDPK framework. Besides drivers for network interfaces, drivers (PMDs) for interfacing with Crypto (CAAM) block have also been included in the DDPK source code.

**Note:**

Since this guide contains support for PPFE, DPAA2, ENETC, and DPAA platforms, the following markers are used throughout the guide:

- DPAA2 – This marker marks the steps/text applicable only for DPAA2 platforms, for example, LS2088
- DPAA – This marker marks the steps/text applicable only for DPAA platforms, for example, LS1043
- PPFE - This marker marks the steps/text applicable only for PPFE platforms, for example, LS1012
- ENETC - This marker marks the steps/text applicable only for ENETC platforms, for example, LS1028

All other steps which don't have any marker are applicable for both the platforms.

**Note:**

See [Section 8.2.13](#) to tune the system for best DDPK performance on NXP platforms.

**Note:**

**Multi-thread environment**

DDPK was originally designed for Intel architectures, however efforts are underway to make it multiple architecture friendly. There are still some restrictions which should be taken care when used on NXP platforms.

1. Multiple pthreads

DDPK usually pins one pthread per core to avoid the overhead of task switching. This allows for significant performance gains, but lacks flexibility and is not always efficient. DDPK is composed of several libraries - some of the functions in these libraries can be safely called from multiple threads simultaneously, while others cannot.

The runtime environment of the DPDK is typically a single thread per logical core. It is best to avoid sharing data structures between threads and/or processes where possible. Where this is not possible, the execution blocks must access the data in a thread-safe manner. Mechanisms such as atomic variables or locking can be used to allow execution blocks to operate serially. However, this can affect the performance of the application.

## 2. Fast-path APIs

Applications operating in the data plane are performance sensitive but certain functions within those libraries may not be safe to call from multiple threads simultaneously.

The Hash, LPM, Mempool libraries, and RX/TX in the PMD are examples of such multi-thread unsafe functions. The RX/TX of the PMD are the most critical aspects of a DPDK application and it is recommended that no locking be used with these paths as it will impact performance. However, these functions can be safely used from multiple threads when each thread is performing I/O on a different NIC queue. If multiple threads are to use the same hardware queue on the same NIC port, then locking or some other form of mutual exclusion is necessary. In the NXP implementation, each thread has to use a software portal (DPIO) instance to access the underlying DPAA hardware. Thus, it is recommended that only one thread per logical core should be created for RX/TX and other I/O access to DPAA hardware.

### 8.2.2.2 DPAA supported DPDK features

Following is the list of DPDK NIC features which DPAA driver supports:

- Allmulticast mode
- Basic and Extended stats
- Flow control
- Firmware Version information
- Jumbo frame
- L3 and L4 checksum offload
- Link status and update
- MTU update
- Promiscuous mode
- Queue start/stop
- Speed Capabilities
- Scattered RX and TX
- Unicast MAC filter
- RSS Hash
- Packet type parsing
- Interrupt mode
- Traffic splitting (VSP)
- Indirect and External buffers
- ARMv8

Following is the list of DPDK Crypto Device features which DPAA driver supports:

- Encryption/Decryption and Authentication
- Lookaside protocol offload support
- Multiple Algorithms as mentioned in `<dpdk>/doc/guides/cryptodevs/features/dpaa_sec.ini`
- PDCP protocol support
- IPSec RAW buffer support
- IPSec event mode support
- Scattered RX and TX

Other DPDK features supported on DPAA

- Event device support
- QDMA support
- IEEE1588 support

Applications validated on DPAA1

- dpdk-l2fwd
- dpdk-l3fwd
- dpdk-ipsec-secgw
- dpdk-testpmd
  - RX only, TX only, fwd modes
  - Jumbo Frame support
  - Scatter Gather support
  - Virtio net interfaces
  - Link bonding
  - RSS distributions
  - External buffer support
- dpdk-l2fwd-event
- dpdk-ethtool
- dpdk-ip\_fragmentation
- dpdk-ip\_reassembly
- dpdk-kni
- dpdk-l2fwd-qdma
- dpdk-l3fwd-power
- dpdk-link\_status\_interrupt
- dpdk-pdump
- dpdk-proc-info
- dpdk-test-crypto-perf
- dpdk-test

### 8.2.2.3 DPAA2 supported DPDK features

The DPAA2 driver supports the following list of DPDK NIC features:

- Allmulticast mode
- Basic stats
- Firmware Version information
- Flow control
- Jumbo frame
- L3 checksum offload
- L4 checksum offload
- Link Status
- Link Status Events
- MTU update
- Packet type parsing
- Promiscuous mode
- Queue start/stop
- RSS hash
- Unicast MAC filter
- VLAN filter and offload

- Speed capabilities
- Timesync
- Timestamp offload
- ARMv8
- Linux VFIO
- Extended stats

The DPAA2 driver supports the following list of DPDK Crypto Device features:

- Encryption/Decryption and Authentication
- Lookaside protocol offload support
- Multiple Algorithms as mentioned in `<dpdk>/doc/guides/cryptodevs/features/dpaa2_sec.ini`
- PDCP protocol support
- IPSec RAW buffer support
- IPSec event mode support
- Scattered RX and TX

Other DPDK features supported on DPAA2 are:

- Event device support
- QDMA support
- Non-root user support
- Traffic Manager support

Applications validated on DPAA2 are:

- dpdk-l2fwd
- dpdk-l3fwd
- dpdk-ipsec-secgw
- dpdk-testpmd
  - Rx only, TX only, fwd modes
  - Jumbo Frame support
  - Scatter Gather support
  - Flow Classification
  - Traffic Management
  - Virtio net interfaces
  - Link bonding
  - RSS distributions
  - External buffer support
- dpdk-l2fwd-event
- dpdk-ethtool
- dpdk-ip\_fragmentation
- dpdk-ip\_reassembly
- dpdk-kni
- dpdk-l2fwd-qdma
- dpdk-l3fwd-power
- dpdk-link\_status\_interrupt
- dpdk-mp\_client
- dpdk-mp\_server
- dpdk-ptpclient
- dpdk-qdma\_demo



- dpdk-simple\_mp
- dpdk-symmetric\_mp
- dpdk-symmetric\_mp\_qdma
- dpdk-pdump
- dpdk-proc-info
- dpdk-test-crypto-perf
- dpdk-test

#### 8.2.2.4 PPFE supported DPDK features

The PPFE driver supports the following list of DPDK NIC features:

- ALLmulticast mode
- Basic Stats
- MTU update
- Promiscuous mode
- Packet type parsing
- ARMv8

#### 8.2.2.5 ENETC supported DPDK features

The ENETC driver supports the following list of DPDK NIC features:

- Packet type information
- Basic stats
- Promiscuous
- Multicast
- Jumbo packets
- Queue Start/Stop
- Deferred Queue Start
- CRC offload

ENETC-based DPDK features are not supported with Kernel 4.14.

### 8.2.3 Build DPDK

This section includes three subsections, which detail:

1. Building DPDK binaries (libraries and sample applications) with Yocto bitbake.
2. Building DPDK binaries as standalone package, through DPDK's own build system.
3. Building Pktgen application which can be used as a software packet generator using DPDK as underlying layer.
4. Building OVS-DPDK - an Open Virtual Switch based over DPDK
5. Compilation of images required for Virtual Machines

#### 8.2.3.1 Build DPDK using Yocto bitbake

This section details method to build DPDK as a standalone package within the Yocto environment. It is assumed that the Yocto environment has already been configured before executing the commands below.

See [Section 3](#) for complete details of using the Yocto build system.

Once the environment has been set up, following commands can be used to build DPDK and libraries:

```
bitbake dpdk
bitbake pktgen_dpdk
bitbake ovs_dpdk
```

**Note:** DPDK is dependent on OpenSSL package for software crypto and OpenSSL PMD. It is necessary to build OpenSSL before DPDK in bitbake environment to suffice this dependency. If building DPDK on target platform, it is possible that OpenSSL libraries are already available in library path. In this case, building OpenSSL library would not be required.

See [Section 3.5](#) for packing these binaries into the target rootfs using the Yocto build system.

### 8.2.3.1.1 Layout of DPDK binaries

Single image of DPDK binary supports DPAA1, DPAA2, ENETC, and PPFE platforms. Once the DPDK package has been installed, binaries would be available `/usr/share/dpdk/examples/` folder in the rootfs. bitbake system generates a single rootfs for all NXP platforms it supports.

```
/usr/share/dpdk/examples/ # Contains the sample applications listed
in Table 166
```

DPDK binaries have been placed in the `/usr/share/dpdk/examples/` folder to take advantage of the binary search path set in the `PATH` variable. In case the `PATH` variable doesn't contain the `/usr/share/dpdk/examples/` by default, it can be added to it to enable BASH command completion.

At various places in this document, above binaries would be referred for representing execution as well as other information. It is assumed that execution is being done either using the `PATH` variable set, as explained above, or with absolute path to the binaries.

Besides the above folders, another set of files is also available in rootfs to support DPDK application execution. These files are available in the `/usr/bin` folder in the rootfs.

The table below depicts various DPDK artifacts that are available in the Yocto-generated rootfs:

**Table 168. DPDK artifacts available in Yocto-generated rootfs**

File/Image name related to <code>/usr/share</code>	Description
<pre>./dpdk/examples/dpdk-l2fwd ./dpdk/examples/dpdk-l3fwd ./dpdk/examples/dpdk-l2fwd-crypto ./dpdk/examples/dpdk-ipsec-secgw</pre>	DPAA1, DPAA2, ENETC, and PPFE DPDK Example applications and PMD test application.
<pre>./dpdk/dpaa/usdpaa_config_ls&lt;PLAT&gt;.xml ./dpdk/dpaa/usdpaa_policy_hash_ipv4_1queue.xml ./dpdk/dpaa/usdpaa_policy_hash_ipv4_2queue.xml ./dpdk/dpaa/usdpaa_policy_hash_ipv4_4queue.xml ./dpdk/dpaa/usdpaa_policy_24g_classif_udp_ipsec_1queue.xml ./dpdk/dpaa/usdpaa_policy_24g_classif_frag_gtp_1queue.xml</pre>	DPAA Only. FMC Configurations and Policy files. <PLAT> is platform name for DPAA platform, for example <code>ls1043</code> or <code>ls1046</code> . Each Policy file for defining the number of queues per port as mentioned in its name.
<pre>./dpdk/dpaa2/dynamic_dpl.sh ./dpdk/dpaa2/destroy_dynamic_dpl.sh</pre>	DPAA2 Only. Dynamic DPL container creation and teardown script.

**Table 168. DPDK artifacts available in Yocto-generated roots...continued**

./enable_performance_mode.sh ./disable_performance_mode.sh	When executing an Ubuntu OS over Layerscape board, performance on core 0 can become non-deterministic because of OS services and threads. These scripts allow a special setting wherein the DPDK application, which would run after running the enable script, would get real-time priorities. <b>Note:</b> <i>These scripts should not be used in general cases. For detailed use case, refer to <a href="#">Performance Reproducibility Guide</a> section.</i>
./examples/ipsec_secgw/ep0.cfg ./examples/ipsec_secgw/ep1.cfg ./ipsec/ep0_64X64.cfg ./ipsec/ep1_64X64.cfg ./ipsec/ep0_64X64_proto.cfg ./ipsec/ep0_64X64_sha256.cfg ./ipsec/ep1_64X64_proto.cfg ./ipsec/ep1_64X64_sha256.cfg	Configuration files for ipsec-gw example application. The ep0 and ep1 files are standard configurations for 2 tunnels for encryption and decryption, each. The ep0_64X64 and ep1_64X64 are for 64 tunnels for encryption and decryption, each.
/usr/bin/pktgen	Packet generation application
./debug_dump.sh	Dumping the debug data for further analysis.

### 8.2.3.2 Build DPDK on host (Native)

This section lists the steps required to build DPDK binaries (libraries and example applications) on the host environment. This environment is host enabled for building directly on the Layerscape target board.

**Note:** *This section focuses on building of DPDK on a host machine for Layerscape boards as target. Notes are added to enable the compilation of DPDK applications directly on a host machine.*

#### 8.2.3.2.1 Set up proxies

Depending on the environment you are working in, proxies setting might be required to have Internet connectivity. Use the following proxy commands:

```
$ export http_proxy=http://<proxy-server-name>.com:<port-number>
$ export https_proxy=https://<proxy-server-name>.com:<port-number>
```

#### 8.2.3.2.2 Obtain the DPDK source code

The DPDK source code contains all the libraries for building example applications as well as test applications. The source code includes configurations and scripts for supporting build and execution. Obtain the DPDK source code using the link below:

```
git clone https://github.com/nxp-qoriq/dpdk.git
cd dpdk
git checkout remotes/origin/21.11-qoriq -b 21.11-qoriq
```

Once the above repository is cloned, DPDK source code will be available for compilation. This source is common for DPAA1, DPAA2, ENETC, and PPFPE platforms.

### 8.2.3.2.3 Compiling DPDK using meson

Follow these steps to compile DPDK. In case of direct compilation on the target boards, it is assumed that prerequisites are met using the root filesystem. Execute the following command:

```
meson arm64-build -Dexamples= <list of example applications to be compiled
separated by commas>
ninja -C arm64-build install
```

Once the example application are compiled, the binaries are available in the following folder in the `dpdk/arm64-build/examples/` directory with prefix “dpdk-“.

DPDK compiled libraries are also available in the `dpdk/arm64-build/lib/` directory.

Some applications, such as `testpmd` are generated as a part of the default build. These are available in the `dpdk/arm64-build/app/` directory.

### 8.2.3.3 Standalone build of DPDK libraries and applications

This section details steps required to build DPDK binaries (libraries and example applications) in a standalone environment. This environment can either be on a host enabled for cross building for Layerscape boards or directly on the Layerscape target board.

**Note:** This section primarily focuses on standalone building of DPDK on a host machine using cross compilation for Layerscape boards as target. Though, necessary notes have been added to enable compilation directly on target boards. See [Section 3.5](#) for creating an environment suitable for building DPDK on Layerscape boards.

For steps detailing building DPDK using Yocto system, see [Section 3.5](#) and [Section 8.2.3.1](#).

#### 8.2.3.3.1 Obtain the DPDK source code

The DPDK source code contains all the necessary libraries for build example applications as well as test applications. The source code also includes various configuration and scripts for supporting build and execution. Obtain the DPDK source code using the link below:

```
git clone https://github.com/nxp-qoriq/dpdk.git
cd dpdk
git checkout remotes/origin/21.11-qoriq -b 21.11-qoriq
```

Once the above repository has been cloned, DPDK source code is available for compilation. This source is common for both, DPAA1, DPAA2, ENETC, and PPFPE platforms.

#### 8.2.3.3.2 Prerequisites of Compiling DPDK

Before compiling DPDK as a standalone build, the following dependencies need to be resolved independently:

- Platform compliant and compiled Linux Kernel source code so that KNI modules can be built.
  - This is optional and if KNI module support is not required, this can be ignored.
  - For details of compiling platform compliant Linux Kernel, see [Section 3.5](#).
  - For disabling KNI module, see notes below.
- OpenSSL libraries required for building software crypto driver (OpenSSL PMD).
  - OpenSSL package needs to be separately compiled and libraries installed at a known path before DPDK build can be done.
  - This is optional and if software crypto driver support is not required, this dependency can be ignored.

**Note:** See [Section 3.5](#) for more information on how to build OpenSSL as part of Yocto system. If using Yocto and referring to this link for building OpenSSL package, commands specified below can be skipped. Following steps are for building OpenSSL as a standalone package, outside the Yocto system. This is not a preferred way and should be used only if Yocto system is not available. Follow the steps given below to build OpenSSL package.

```
git clone git://git.openssl.org/openssl.git
cd openssl
git checkout OpenSSL_1_1_0g
```

Export the Cross Compilation tool chain for building OpenSSL for target. The following step for exporting cross compilation toolchain is required only when compiling on Host. On a target board, it is assumed default build toolchain would be used.

```
export CROSS_COMPILE=<path to uncompressed toolchain archive>/bin/aarch64-
linux-gnu-
```

Configure the OpenSSL build system with following command. The `--prefix` argument specifies a path where OpenSSL libraries would be deployed after build completes. This is also a path which would be provided to DPDK build system for accessing the compiled OpenSSL libraries.

```
./Configure linux-aarch64 --prefix=<OpenSSL library path> shared
```

```
make depend
make
make install
export PKG_CONFIG_PATH=<OpenSSL lib path>/lib/pkgconfig:$PKG_CONFIG_PATH
```

**Note:** When building DPDK on target board, it is possible that OpenSSL libraries required by DPDK are already available as part of the rootfs, in which case external compilation of OpenSSL package would not be required.

- For disabling OpenSSL PMD support, see notes below.

### 8.2.3.3.3 Compiling DPDK using meson

Follow these steps to compile DPDK once the above prerequisites are met. These steps are common for all platforms and are needed only when cross compiling on a host for Layerscape boards as target. In case of direct compilation on target boards, it is assumed that prerequisites are met using the root filesystem.

#### 1. Setup the environment for compilation

##### a. Setup cross compilation toolchain.

This step is required only in the host environment where default toolchain is not for target boards. When compiling on a target board, this step can be skipped.

```
export CROSS_PATH=<path to cross-compile toolchain>
export PATH=$PATH:$CROSS_PATH
```

##### b. Setup OpenSSL path for software crypto drivers (OpenSSL PMD). This is optional and can be skipped in case software crypto driver (OpenSSL PMD) support is not required. These external variables can also be used to pass other required libraries for example libpcap

```
export PKG_CONFIG_LIBDIR="<path to installed OpenSSL>/lib/"
export PKG_CONFIG_PATH=$PKG_CONFIG_LIBDIR/pkgconfig
```

#### 2. Use DPDK build system for compiling DPDK.

**Note:** DPDK binaries generated using these steps are compatible for DPAA1, DPAA2, ENETC, and PPFPE platforms. This is also valid when DPDK is built using Yocto build system. See [Section 3.5](#) for steps to build DPDK using Yocto build system.

- a. Execute the following commands:

```
meson arm64-build --cross-file config/arm/arm64_dpaa_linux_gcc -Dexamples=
<list of example applications to be compiled separated by commas> -
Dprefix=<location to install DPDK>
ninja -C arm64-build
```

Here, `-Dprefix` and `-Dexamples` are optional parameters. `Dprefix` parameter is used to deploy all the DPDK binaries (libraries and example applications) to a standard Linux package-specific layout within a directory represented by this parameter. Alternatively, a directory `dpdk/arm64-build/` is also created and binaries and libraries are also available in it. `install` parameter is also not required in the `ninja` command, if installation is not required. `Dexamples` is used to compile required examples. In case you need to compile only drivers, this parameter is not needed.

**Note:** For PPFPE (LS1012 platform), when using Crypto drivers, `CONFIG_RTE_LIBRTE_PMD_CAAM_JR_BE` flag should be enabled while compiling DPDK.

- b. Once the example applications are compiled, the binaries are available in the DPDK build directory with prefix “`dpdk-`”:

```
dpdk/arm64-build/examples/*
```

Besides the above example application, DPDK also provides a `testpmd` binary which can be used for comprehensive verification of the DPDK driver (PMD) features for available and compatible devices. This binary is compiled by default during the DPDK source compilation. It is available in the `dpdk/arm64-build/examples/` directory.

**Note:** For LS1028 platform, when using Crypto drivers, `CAAM_JR_UIO` flag should be enabled while compiling DPDK.

**Note:** For PPFPE (LS1012 platform), when using Crypto drivers, `CONFIG_RTE_LIBRTE_PMD_CAAM_JR_BE` flag should be enabled while compiling DPDK.

#### 8.2.3.4 Build DPDK-based Packet Generator (pktgen) using Yocto

**Pktgen** is a packet generator powered by DPDK. It requires DPDK environment for compilation and DPDK-compliant infrastructure for execution. DPAA1 and DPAA2 DPDK PMD (Poll Mode Drivers) can be used by Pktgen for building a packet generator using the DPAA infrastructure.

Refer to [Section 3](#) user guide for complete details of using the Yocto build system.

After the Yocto environment has been set up, following commands can be used to build `pktgen` package.

```
$ bitbake pktgen_dpdk
```

#### 8.2.3.5 Build OVS-DPDK using Yocto

OVS is a multilayer virtual switch for enabling massive network automation through programmatic extensions.

OVS-DPDK is one of the application packages of the Yocto system which used DPDK as underlying framework. This section details method to build OVS-DPDK as a standalone package within the Yocto environment. It is assumed that the Yocto environment has already been configured before executing the commands below.

Refer to [Section 3](#) for complete details of using the Yocto build system.

Once the Yocto environment has been set up, following commands can be used to build OVS-DPDK package.

```
$ bitbake ovs_dpdk
```

8.2.3.5.1 Layout of OVS-DPDK binaries

An OVS-DPDK binary image supports both the DPAA1 and DPAA2 platforms. Once the OVS-DPDK package has been installed, binaries would be available in `/usr/bin/ovs-dpdk/` folder in the rootfs. Yocto system generates a single rootfs for all NXP platforms it supports.

**Note:** OVS-DPDK binaries are deployed into the root filesystem as per the default layout of installation target for OVS-DPDK build system.

Table below depicts various OVS-DPDK artifacts which are available in the Yocto generated rootfs:

S/No	File/Image name related to <code>/usr/bin/ovs-dpdk/</code>	Description
1	<pre>./ovs-ofctl ./ovs-vsctl ./ovsdb-client ./ovsdb-server ./ovs-vswitchd</pre>	For both, DPAA1 and DPAA2, platforms. Various OVS binaries.

8.2.3.6 Virtual machine (VM or guest) images

This section describes steps for deploying a Virtual Machine and executing DPDK applications in it. Additionally, OVS-DPDK package is used for deploying a software switch on the host machine through which virtual machines communicate with other virtual machine or external network.

**Note:**

For obtaining necessary artifacts (kernel image, rootfs) for booting up a virtual machine on Layerscape board, refer [Section 9.1.2 KVM/QEMU](#).

8.2.4 Executing DPDK applications on host

This section describes how to execute DPDK and related applications in both Host and VM environments.

**Note:** `IP_ADDR_BRD`, `IP_ADDR_IMAGE_SERVER`, and `TFTP_BASE_DIR` are not U-Boot or Linux environment variables. They are used in this document to represent:

1. **IP\_ADDR\_BRD:** IP address of target board in test setup.
2. **IP\_ADDR\_IMAGE\_SERVER:** IP address of the machine where all the software images are kept. These images are transferred to the board using either `tftp` or `scp`.
3. **TFTP\_BASE\_DIR:** TFTP base directory of TFTP server running on the machine where images are kept.

8.2.4.1 Booting up target board

Follow the instructions mentioned in [Section 3.7](#) to get the target board up and working.

**Note:** While bringing up various platforms, use the following boot arguments to obtain best performance. This can be done by appending the following string to the `othbootargs` environment variable in U-Boot. If `othbootargs` is not present, create a new variable. While booting up, the bootscripts would append the `othbootargs` to the `bootargs` variable.

```
For LX2160ARDB Rev2
default_hugepagesz=1024m hugepagesz=1024m hugepages=8 isolcpus=1-15
iommu.passthrough=1
For LS2088ARDB/LS1088ARDB
default_hugepagesz=1024m hugepagesz=1024m hugepages=8 isolcpus=1-7
iommu.passthrough=1
```

```

For LS1046ARDB
default_hugepagesz=1024m hugepagesz=1024m hugepages=4 isolcpus=1-3 bportals=s0
qportals=s0 iommu.passthrough=1
For LS1043ARDB
default_hugepagesz=2MB hugepagesz=2MB hugepages=512 isolcpus=1-3 bportals=s0
qportals=s0 iommu.passthrough=1
For LS1028ARDB
default_hugepagesz=2MB hugepagesz=2MB hugepages=256 isolcpus=1
iommu.passthrough=1
For LS1012ARDB
default_hugepagesz=2MB hugepagesz=2MB hugepages=256 iommu.passthrough=1 pfe.us=1

```

Above setting insures that available number of hugepages are available with the application depending on the platform. `isolcpus` insures that Linux Kernel doesn't use these CPUs for scheduling its tasks - that prevents context switching of any application running on these cores. If the installed memory is lesser, lower number of hugepages can be used.

**Note:** When running DPDK application on all the cores do not add `isolcpus` in the `othbootargs`.

`iommu.passthrough=1` is to disable SMMU configuration by kernel which is ignored in case of DPDK user space application. Though, this setting does impact security context of environment and should be done after due diligence.

The `bportals` and `qportals` ensures that only 1 portal is available for kernel use (since only one core is for kernel), rest are available for user space. This setting is needed only for DPAA1 platforms.

**Note:** Depend on the available memory, hugepage may be added to the system from command line as well.

```

echo 256 > /proc/sys/vm/nr_hugepages
Check it with:
cat /proc/meminfo

```

**Note:** For UEFI, to update the boot arguments refer to UEFI section in the user manual.

Update `grub.cfg` file for hugepage and `isolcpus` related changes.

On DPAA2 platforms: "`rootwait=20 default_hugepagesz=1024m hugepagesz=1024m hugepages=8 isolcpus=1-7`"

On DPAA1 platforms: "`rootwait=20 default_hugepagesz=2MB hugepagesz=2MB hugepages=512 isolcpus=1-3 bportals=s0 qportals=s0`"

**Note:** User space mode for DPAA1: For the DPAA platform, DPDK-specific Device Tree file (for example, `fsl-1s1046a-rdb-usdpaa.dtb` for LS1046ARDB, `fsl-1s1046a-rdb-usdpaa.dtb` for LS1046AFRWY and `fsl-1s1043a-rdb-usdpaa.dtb` for LS1043A) should be used for booting up the board. This Device tree file is configured to provide user space applications with network interfaces.

Also note that once the above mentioned Device Tree configuration is used, all FMan ports would be available in the user space only. Changes to the Device Tree file would be required to assign some of the FMan ports to Linux Kernel. To deploy dtb file on the board, see [Section 3.7](#).

As an alternative, one can use the following method to replace default `fsl-1s104xa-rdb-sdk.dtb` with `fsl-1s104xa-rdb-usdpaa.dtb` to support DPDK on LS104XRDB platforms, applicable only if images are installed on a storage device..

**Example 1:** After entering Ubuntu on the board, run following instructions for LS1046ARDB:

```

cd /boot
mv fsl-1s1046a-rdb-sdk.dtb fsl-1s1046a-rdb-ori.dtb
ln -s fsl-1s1046a-rdb-usdpaa.dtb fsl-1s1046a-rdb-sdk.dtb

```



Then, reboot the board.

An alternative method to boot from the `fsl-ls1046a-rdb-usdpaa.dtb` file is by executing these commands at U-Boot:

```
=> setenv dtb fsl-ls1046a-rdb-usdpaa.dtb
=> saveenv
=> boot
```

**Note:** Optionally follow the below instructions to assign one of the FMan ports on LS104x (DPAA) RDB boards to Linux.

With standard Yocto generated dtb, all interfaces are assigned to either Linux or user space. When using `fsl-ls1043a-rdb-sdk.dtb` or `fsl-ls1046a-rdb-sdk.dtb`, all network interfaces get assigned to Linux. When using `fsl-ls1046a-rdb-usdpaa.dtb` or `fsl-ls1046a-rdb-usdpaa.dtb`, all network interfaces get assigned to user space. The example below shows the changes that are required to assign one network interface to Linux and configure FMan to support DPDK applications.

**Example:** Modify `fsl-ls1046a-rdb-usdpaa.dts` file to assign FMan ports to Linux by removing the following Ethernet node that corresponds to `fm0-mac3` (RGMII-1).

```
ethernet@2 { compatible = "fsl,dpa-ethernet-init"; fsl,bman-buffer-pools = <&bp7
 &bp8 &bp9>; fsl,qman-frame-queues-rx = <0x54 1 0x55 1>; fsl,qman-frame-queues-
 tx = <0x74 1 0x75 1>; };
```

Then, modify the file `usdpaa_config_ls1046.xml` (located in `/usr/share/dpdk/dpaa`) by removing the corresponding port entry. For example, the below entry needs to be removed for `fm0-mac3` (RGMII-1):

```
<port type="MAC" number="3" policy="hash_ipsec_src_dst_spi_policy_mac3"/>
```

On DPAA1, the port numbers are decided in the sequence they are getting detected. In case one or more ports are assigned to Linux kernel, the user space port numbering gets changed. For example, after the above code change is done, `fm0-mac4` becomes Port 0 in DPDK/User space.

#### 8.2.4.2 Prerequisite for running DPDK applications

This section describes the procedures once the target platform is booted up and logged into the Linux shell. This section is applicable to DPAA1, DPAA2, ENETC, and PPFEE platforms and is organized as follows:

- To execute DPDK applications, you must log in with Super User credentials. Following commands can be used to log in as "root" user:

```
/* Set new password for root */
sudo passwd root
/* Log in as root */
su root
```

- Generic setup contains common steps to be executed before executing any of DPDK sample application or external DPDK applications. One of these sections would be relevant depending on the platform DPAA1, DPAA2, ENETC, or PPFEE being used.
- Application-specific sections contain steps on how to execute the DPDK example and related applications. For more details, refer the following topics:
  - [Section 8.2.4.2.1](#)
  - [Section 8.2.4.2.2](#)
  - [Section 8.2.4.2.3](#)
  - [Section 8.2.4.2.4](#)
  - [Section 8.2.4.2.5](#)

– [Section 8.2.4.4](#)

8.2.4.2.1 Test environment setup

8.2.4.2.1.1 Test Environment Setup

Various sample application execution steps are detailed in the following sections. Figure below describes the setup containing the DUT (Device Under Test) and the Packet Generator (Spirent, Ixia or any other software/hardware packet generator). This is applicable for the commands provided in following section.

The setup includes a one-to-one link between DUT and Packet generator unit. DPDK application running on the DUT is expected to forward the traffic from one port to another. The setup below and commands described in following sections can be scaled for more number of ports.

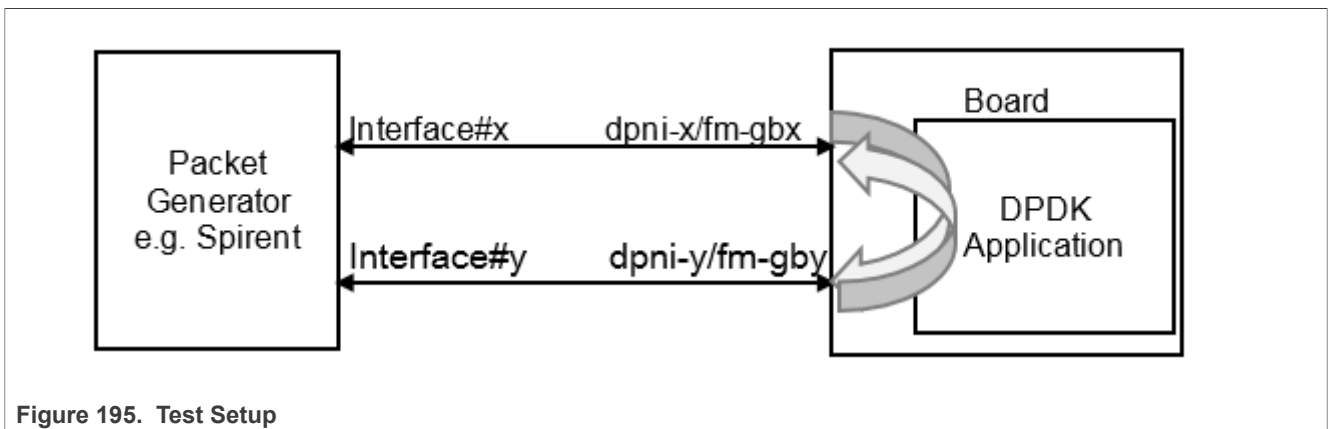


Figure 195. Test Setup

8.2.4.2.2 Generic setup - DPAA

This section details steps required to set up necessary environment for execution of DPDK applications on DPAA platform. This section is applicable for sample as well as any external DPDK applications. For further details about the applicable configuration file for DPAA platform, refer to [Section 8.2.3.5](#). For DPAA2 platform-specific setup, refer to [Section 8.2.4.2.3](#).

8.2.4.2.2.1 DPAA hardware configuration files

**Note:** For automatic or dynamic FMan queue configuration, run `fmc -x` and do not run any other FMC command to configure DPDK queues. If FMC is not run for DPDK, DPDK-based DPAA driver would automatically configure the number of queues as demanded by the application.

Default is non-dynamic mode which requires user to run the `fmc` tool with exact queue configuration before running a DPDK application. This section provides details about this mode.

DPAA platforms support hardware acceleration of packet queues. These queues need to be configured in the *FMan* (Frame Manager) prior to being used. This can be done by choosing the appropriate policy configuration file packaged along with Yocto rootfs or DPDK source code.

Either of 1, 2, or 4 queue-based policy files can be selected before application is executed. For example, 1 queue policy file would define single queue per physical interface of DPAA. Similarly, 2 and 4 queues are for defining 2 or 4 queues for each defined interface, respectively.

**Note:** For switching between different number of queue configuration, `fmc` tool is required to be run each time with new policy files. Before running `fmc` tool, `fmc -x` should be executed to clean old configuration.

Following are the available platform-specific configuration files:

- usdpaa\_config\_ls1043.xml for LS1043ARDB board
- usdpaa\_config\_ls1046.xml for LS1046ARDB board
- usdpaa\_config\_ls1046\_frwy.xml for LS1046AFRWY board
- usdpaa\_config\_ls1046\_shared\_xvg.xml for LS1046ARDB board using Shared Mac (VSP)

Following are the available policy files:

- usdpaa\_policy\_hash\_ipv4\_1queue.xml for 1 queue per port
- usdpaa\_policy\_hash\_ipv4\_2queue.xml for 2 queues per port
- usdpaa\_policy\_hash\_ipv4\_4queue.xml for 4 queues per port
- usdpaa\_policy\_24g\_classif\_udp\_ipsec\_1queue.xml and usdpaa\_policy\_24g\_classif\_frag\_gtp\_1queue.xml for Shared Mac (VSP)

**Note:** It is important to execute the applications using the same queue configuration as per the policy file used. This is because once the queue configuration is done, DPAA hardware would distribute packets across configured number of queues. Not consuming packets from any queue would lead to queue buildup eventually stopping the I/O.

#### 8.2.4.2.2.2 Setting up DPAA environment

Based on the number of queues per port for which the application is required to be run, select the policy configuration file and execute the `fmc` binary:

```
fmc -x # Clean any previous configuration/setting
fmc -c <Configuration file> -p <Policy File> -a
```

For example, in case of LS1043A platform, using 1 queue, following would be the command to execute:

```
fmc -x
fmc -c ./usdpaa_config_ls1043.xml -p ./usdpaa_policy_hash_ipv4_1queue.xml -a
```

**Note:** DPAA platforms enable the push mode by default. That is, first 4 queues of an interface would be configured in Push mode, thereafter, all queues would use the default pull configuration. Push mode queues support higher performance configuration than standard pull mode queues, but are limited in numbers. To toggle the number of push mode queues, use the following environment variable:

```
#export DPAA_PUSH_QUEUES_NUMBER=0 <default value is 4>
```

Do note that configuring larger number of push mode queues than available (achievable), would lead to I/O failure. Max possible value of `DPAA_PUSH_QUEUES_NUMBER` on DPAA (LS1043, LS1046) is 8.

**Note:** The environment variable `DPAA_PUSH_QUEUES_NUMBER` enables and reserves PUSH queues for Ethernet drivers. But for DPAA1 Eventdev functionality, push queues are required to be used. Therefore, this environment variable `DPAA_PUSH_QUEUES_NUMBER` should be set to 0 when DPAA1 eventdev driver is being used, so that no PUSH queues are reserved for DPAA1 Ethernet driver.

Setup hugepages for DPDK application to use for packet and general buffers. This step can be ignored if hugepages are already mounted. Use command `mount | grep hugetlbfs` to check if hugepages are already set up.

```
mkdir /dev/hugepages
```

```
mount -t hugetlbfs none /dev/hugepages
```

**Note:** For DPAA1 Crypto functionality, Linux CAAM driver must be enabled. In case Linux CAAM driver has been built as a kernel module, it must be loaded (`insmod caam.ko`) in kernel before running DPDK application.

Hereafter, DPDK sample applications are ready to be executed on the DPAA platform.

### 8.2.4.2.2.3 Cleaning up DPAA environment

To remove the configuration done using the `fmc` tool, use the `-x` parameter. It is a good practice to clean up the configuration before setting up a new configuration. Even in cases where change of configuration is required, for example, increasing the number of queues supported, following command can be used for cleaning up the previous configuration.

```
fmc -x
```

### 8.2.4.2.3 Generic setup - DPAA2

This section details steps required to set up necessary environment for execution of DPDK applications over DPAA2 platform. This section is applicable for sample as well as any external DPDK applications. For further details about the applicable configuration file for DPAA2 platform, refer to [Section 8.2.3.5](#). For DPAA platform-specific setup, refer to [Section 8.2.4.2.2](#).

These steps must be performed before running any of the DPDK applications on host.

#### 8.2.4.2.3.1 Setting up DPAA2 environment

For executing DPDK application on DPAA2 platform, a resource container needs to be created which contains all necessary interfaces to the DPAA2 hardware blocks. Necessary configuration scripts are provided with DPDK package for creating and destroying containers.

1. Configure the DPAA2 resource container with `dynamic_dpl.sh` script. This script is available under `/usr/share/dpdk/dpaa2/` folder in the rootfs.

```
cd /usr/share/dpdk/dpaa2/ # Or, any other folder if custom installation
of DPDK is done
./dynamic_dpl.sh <DPMAC1.id> <DPMAC2.id> ... <DPMACn.id>
```

In the above command, `<DPMAC1.id>` refers to the DPAA2 MAC resource, for example, `dpmac.1` or `dpmac.2`. Modify the above command as per the number of physical MAC ports required by the application (constrained by availability and connectivity on the DUT).

Output of `dynamic_dpl.sh` command shows the name of the container created. This name is passed to DPDK applications using the `DPRC` environment variable. Following block shows sample output of the `dynamic_dpl.sh` command:

```
parent - dprc.1
Creating Non nested DPRC
NEW DPRCs
dprc.1
dprc.2
Using board type as 2088
Using High Performance Buffers

Container dprc.2 is created

Container dprc.2 have following resources :=>

* 3 DPMCP
* 16 DPBP
```

```
* 8 DPCON
* 8 DPSECI
* 1 DPNI
* 18 DPPIO
* 8 DPCI
* 64 DPDMAI
* 0 DPRTC

Configured Interfaces

Interface Name Endpoint Mac Address
=====
dpni.1 dpmac.2 -Dynamic-
```

The MAC addresses are auto-assigned by the DPDK applications after fetching information from the firmware. These would be same as the one programmed by U-Boot. For creating flows, see the application output or note the MAC addresses during board bootup. Testpmd application can also be used to find the MAC address assigned.

**Note:** In case of using UEFI-ACPI as bootloader, run `export BOARD_TYPE=2160 or 2088` before running `dynamic_dpl.sh`.

**Note:** It is possible to modify the number of interfaces (DPBP, DPCON, DPNI) in a container. This can be done by defining environment variable `COMPONENT_COUNT=<number>` before executing the script. For example, to set number of DPBP to 4, use `export DPBP_COUNT=4`.

**Note:** Though the flexibility has been provided to modify the interfaces in the container, note that resources need to be balanced and changing any count will require corresponding changes to other interfaces. Incorrect changes can render the DPDK application unable to execute.

- Set up the environment variable using the container name reported by `dynamic_dpl.sh` command:

```
export DPRC=dprc.2
```

After the above setup is complete, DPDK application can be executed on the DPAA2 platform.

**8.2.4.2.3.2 Teardown of DPAA2 environment**

It might be required to change the configuration of the resource contain to modify the components included in it. As the number of resources in the system are limited, number of containers which can be created as also limited. It is possible to remove an existing container and create another.

Execute the following command to teardown a container:

```
cd /usr/share/dpdk/dpaa2/ # Or, any other folder if custom
installation of DPDK is done
./destroy_dynamic_dpl.sh <Container Name> # for example, "dprc.2"
```

**8.2.4.2.4 Generic setup - PPFE**

This section provides steps required to set up necessary environment for execution of DPDK applications over PPFE platform.

These steps must be performed before running any of the DPDK applications on host.

**Setting up the PPFE Environment**

PPFE is a builtin driver and by default enabled in kernel mode. For executing DPDK application on PPFE platform, `pfe.us=1` need to be added in the bootargs before booting linux to enable DPDK mode which will do the necessary initialization to run the DPDK applications. User must ensure the value of `/sys/module/pfe/`

parameters/us is 1 to check pfe driver is loaded in user space mode. If /sys/module/pfe/parameters/us is not 1, then user shall reboot kernel and add pfe.us=1 in kernel command line.

Additionally, user must run the below commands to fulfill DPDK applications huge pages requirements.

```
mkdir /dev/hugepages
mount -t hugetlbfs none /dev/hugepages
```

**Note:** For PPFE (LS1012 platform), when using Crypto drivers, CONFIG\_RTE\_LIBRTE\_PMD\_CAAM\_JR\_BE flag should be enabled while compiling DPDK.

**Note:** Also, for Crypto functionality, Linux CAAM Job Ring driver must be enabled. In case Linux CAAM driver has been built as a kernel module, it must be loaded (`insmod caam_jr.ko`) in kernel before running DPDK application.

Hereafter, DPDK sample applications are ready to be executed.

#### 8.2.4.2.5 Generic setup – ENETC

This section details steps required to set up necessary environment for execution of DPDK applications over ENETC platform. This section is applicable for sample as well as any external DPDK applications.

These steps must be performed before running any of the DPDK applications on host.

##### Setting up ENETC environment

For executing DPDK application on ENETC platform, Ethernet devices need to be bound to "vfio-pci" driver. Necessary configuration script is provided with DPDK package.

This script is available under /usr/share/dpdk/enetc/ folder in the rootfs.

```
cd /usr/share/dpdk/enetc/ # Or, any other folder if custom installation of
DPDK is done
./dpdk_configure_1028ardb.sh
```

This script enables two Ethernet devices to be used by DPDK applications by binding them to "vfio\_pci" driver. These devices on case are labeled as "1G MAC0" and "1G SWP0".

**Note:** When using Crypto drivers on LS1028, CAAM\_JR\_UIO flag should be enabled while compiling DPDK.

**Note:** For Crypto functionality, Linux CAAM Job Ring driver must be enabled. In case Linux CAAM driver has been built as a kernel module, it must be loaded (`insmod caam_jr.ko`) in kernel before running DPDK application.

Hereafter, DPDK sample applications are ready to be executed.

#### 8.2.4.3 DPDK example applications

DPDK example application binaries are available in the /usr/share/dpdk/examples/ folder in Yocto-generated rootfs.

##### Note:

- Command snippets below assume that commands are executed while being present in /usr/share/dpdk/examples/ or appropriate PATH variable has been set. Also, a DPDK binary can be executed on both, DPAA1 and DPAA2, platform without any modifications.
- Only a selected few DPDK example applications have been deployed in the root filesystem by default. For non-deployed example application, compilation needs to be done using DPDK source code. See [Section 8.2.3.3](#) for more details.

- For PPF platform, since LS1012ARDB has only 1 core, so `-c` with `0x1` is only acceptable core mask for all DPDK applications. Additionally, user must provide the `-vdev` argument with value `net_pfe` to enable Ethernet device for DPDK applications.
- For ENETC platform, LS1028A has 2 cores. For performance numbers, `-c` with `0x2` is the only supported core mask for all supported DPDK applications. User can verify functionality on both cores.
- Throughout the document below, `-n 1` argument has been added to the commands. This argument represents the splitting of buffers across the channels/ranks on DDR, if available. This is useful for NUMA cases. But, in non-NUMA, as is the case with NXP SoCs. This might impact performance in case the channel/ranks of DDR vary from standard/verified environment. Performance benchmarking should be done after analyzing the impact of this configuration.

### 8.2.4.3.1 dpdk-l2fwd – Layer 2 forwarding application

Sample application to show forwarding between multiple ports based on the Layer 2 information (switching).

```
dpdk-l2fwd -c 0x2 -n 1 -- -p 0x1 -q 1 -T 0
```

Where:

- c refers to the core mask for cores to be assigned to DPDK.
- p is the port mask for ports to be used by application.
- q defines the number of queues to serve on each port.

The other command-line parameters may also be provided. For a complete list, see [https://doc.dpdk.org/guides-21.11/sample\\_app\\_ug/l2\\_forward\\_real\\_virtual.html](https://doc.dpdk.org/guides-21.11/sample_app_ug/l2_forward_real_virtual.html).

**Note:**

- `isolcpus` provided as boot argument to U-Boot assures that isolated cores are not scheduled by Linux kernel. Using Core 0 for DPDK application can lead to non-deterministic behavior, including drop in performance. It is recommended that DPDK application core mask values avoid using Core 0. When application is also executed on all the cores, then `isolcpus` shall not be used.
- DPDK L2fwd application periodically prints the I/O stats. To avoid CPU core to be interrupted because of these scheduled prints, `-T 0` option can be appended at the end of command line.
- Command to run `dpdk-l2fwd` on LS1012ARDB:

```
dpdk-l2fwd -c 0x1 -n 1 --vdev 'net_pfe0' --vdev='net_pfe1' -- -p 0x3 -q 3
```

For best performance on LS1046ARDB, use the following command.

```
dpdk-l2fwd -c 0x2 -n 1 -- -p 0x1 -q 1 -T 0 -b 7
```

This includes an option `-b 7` which sets the optimal I/O burst size.

### 8.2.4.3.2 dpdk-l2fwd-event – Event-based Layer 2 forwarding application

A sample application to show an event-based forwarding between multiple ports based on the Layer 2 information (switching) is given below:

```
dpdk-l2fwd-event -c 0x2 -n 1 --vdev=event_dpaa2 -- -p 0x1 -q 1 -T 0 -- mode=eventdev --eventq-sched=atomic
```

Where:

- c refers to the core mask for cores to be assigned to DPDK.

-p is the port mask for ports to be used by application.

-q defines the number of queues to serve on each port.

Change --vdev=event\_dpaa for DPAA devices.

--mode can be poll or eventdev.

--eventq-sched can be ordered, atomic or parallel.

Other command-line parameters may also be provided. For a complete list, see [https://doc.dpdk.org/guides-21.11/sample\\_app\\_ug/l2\\_forward\\_event.html](https://doc.dpdk.org/guides-21.11/sample_app_ug/l2_forward_event.html).

#### 8.2.4.3.3 dpdk-l2fwd-qdma - Layer 2 forwarding application using QDMA (DPAA2 only)

A sample application to show forwarding between multiple ports based on the Layer 2 information (switching) using QDMA is given below:

```
dpdk-l2fwd-qdma -c 0x2 -n 1 -- -p 0x1 -q 1 -m 1 -T 0
```

**Note:** In this application, when a packet is Received, a corresponding packet buffer is allocated for TX. Data from the RX packet is DMA copied over to the TX buffer using the QDMA block. Then, RX buffer is released by the application and then the TX buffer is transmitted out.

Where:

-c refers to the core mask for cores to be assigned to DPDK.

-p is the port mask for ports to be used by application.

-q defines the number of queues to serve on each port.

-m mode specifies HW (-m is 0) or Virtual (-m is 1) mode for QDMA queues.

Apart from -m parameter, other parameters are similar to DPDK l2fwd application. For details, see [https://doc.dpdk.org/guides-21.11/sample\\_app\\_ug/l2\\_forward\\_real\\_virtual.html](https://doc.dpdk.org/guides-21.11/sample_app_ug/l2_forward_real_virtual.html).

#### 8.2.4.3.4 dpdk-l3fwd – Layer 3 forwarding application

Sample application to show forwarding between multiple ports based on the Layer 3 information (routing).

```
dpdk-l3fwd -c 0x6 -n 1 -- -p 0x3 --config="(0,0,1),(1,0,2)"
```

Where:

-c refers to the core mask for cores to be assigned to DPDK.

-p is the port mask for ports to be used by application.

--config is (Port, Queue, Core) configuration used by application for attaching cores to queues on each port.

Other command-line parameters may also be provided. For a complete list, see [https://doc.dpdk.org/guides-21.11/sample\\_app\\_ug/l3\\_forward.html](https://doc.dpdk.org/guides-21.11/sample_app_ug/l3_forward.html).

Other variations of the above command described below change the configuration of ports, queue and cores services them.

1. 4 core - 2 Port, 2 queues per port:

```
dpdk-l3fwd -c 0xF -n 1 -- -p 0x3 -P --config="(0,0,0),(0,1,1),(1,0,2),(1,1,3)"
```



## 2. 4 core - 2 Port with destination MAC address:

```
dpdk-13fwd -c 0xF -n 1 -- -p 0x3 -P --config="(0,0,0), (0,1,1), (1,0,2), (1,1,3)" --eth-dest=0,11:11:11:11:11:11 --eth-dest=1,00:00:00:11:11:11
```

## 3. 8 core - 2 Port with 4 queues per port:

```
dpdk-13fwd -c 0xFF -n 1 -- -p 0x3 -P --config="(0,0,0), (0,1,1), (0,2,2), (0,3,3), (1,0,4), (1,1,5), (1,2,6), (1,3,7)"
```

**Note:** Though the above command snippets use the Core 0 for DPDK application, Core 0 use is not recommended for best performance, as the Linux OS schedules its tasks on it. It is also recommended that `isolcpus` must be used in Linux boot argument to prevent Linux from scheduling tasks on other Cores. When application is also executed on all the cores, then `isolcpus` should not be used.

Example command to run `l3fwd` on LS1012ARDB:

```
dpdk-13fwd -c 0x1 --vdev='net_pfe0' --vdev='net_pfe1' -n 1 -- -p 0x3 --config="(0,0,0), (1,0,0)" -P
```

For best performance on LS1046ARDB, use the following command:

```
dpdk-13fwd -c 0xF -n 1 -- -p 0x3 -P -b 7 --config="(0,0,0), (0,1,1), (1,0,2), (1,1,3)"
```

This includes an option `-b 7` which sets optimal I/O burst size.

This is valid for any configuration of cores, queues and ports (`--config` option).

For LX2 Platform, while running on all available cores, the core mask parameters passed to `dpdk-13fwd` needs to be adjusted for 16 available cores. Following is an example of using all 16 cores on LX2, 2 Ports, 8 queues per port:

```
dpdk-13fwd -c 0xffff -n 1 -- -p 0x3 -P --config="(0,0,0), (0,1,1), (0,2,2), (0,3,3), (0,4,4), (0,5,5), (0,6,6), (0,7,7), (1,0,8), (1,1,9), (1,2,10), (1,3,11), (1,4,12), (1,5,13), (1,6,14), (1,7,15)"
```

DPDK `l3fwd` can also be executed in the `eventdev` mode:

```
dpdk-13fwd -c 0x6 -n 1 -- -p 0x3 --mode=eventdev --eventq-sched=atomic
```

Where:

Change `--vdev=event_dpaa` for DPAA devices.

`--mode` can be `poll` or `eventdev`

`--eventq-sched` can be `ordered`, `atomic` or `parallel`.

### 8.2.4.3.5 dpdk-l2fwd-crypto – Layer 2 forwarding using SEC hardware

This variation of Layer 2 forwarding application uses SEC block for encryption of packets.

- Layer 2 forwarding with Cipher only support:

```
dpdk-l2fwd-crypto -c 0x2 -n 1 -- -p 0x1 -q 1 --chain CIPHER_ONLY
--cipher_algo aes-cbc --cipher_op ENCRYPT --cipher_key
01:02:03:04:05:06:07:08:09:0a:0b:0c:0d:0e:0f:10
```

- Layer 2 forwarding with Cypher-Hash support:

```
dpdk-l2fwd-crypto -c 0x2 -n 1 -- -p 0x1 -q 1 --chain CIPHER_HASH
--cipher_algo aes-cbc --cipher_op ENCRYPT --cipher_key
01:02:03:04:05:06:07:08:09:0a:0b:0c:0d:0e:0f:10 --auth_algo sha1-hmac --
auth_op GENERATE --auth_key_random_size 64
```

- Layer 2 forwarding with Hash only support:

```
dpdk-l2fwd-crypto -c 0x2 -n 1 -- -p 0x1 -q 1 --chain HASH_ONLY --auth_algo
sha1-hmac --auth_op GENERATE --auth_key_random_size 64
```

**Note:** For LS1028, `--iova-mode=pa` should also be added as command-line parameter.

#### 8.2.4.3.6 dpdk-l2fwd-crypto – Layer 2 forwarding using OpenSSL software instructions

This variation of Layer 2 forwarding application uses OpenSSL library for performing software crypto operations. Internally, the OpenSSL library would use the ARMCE instructions specific for Arm CPUs. For DPDK, this application uses the OpenSSL PMD as its underlying driver.

**Note:** This command requires support of OpenSSL package while building the DPDK applications. Refer [this section](#) of this document, for details about toggling compilation of software crypto support, which includes the OpenSSL driver.

**Note:** In all the commands described below, `-T 0` has been appended which disables output on the console/terminal. This is important for performance reasons. Though, for debugging purposes or for knowing the number of packets transacted, remove the arguments or set a higher value in seconds.

- Cipher\_only

– For DPAA Platform:

- 1 core: Depending on the platform being executed on, append the above blacklisting parameter to the end of this command:

```
dpdk-l2fwd-crypto --vdev "crypto_openssl" -c 0x2 -n 1 -- -p 0x1 -q 1 --
chain CIPHER_ONLY --cipher_algo aes-cbc --cipher_op ENCRYPT --cipher_key
01:02:03:04:05:06:07:08:09:0a:0b:0c:0d:0e:0f:10 --cryptodev_mask 0x10 -T 0
```

- 2 core: Depending on the platform being executed on, append the above blacklisting parameter to the end of this command:

```
dpdk-l2fwd-crypto --vdev "crypto_openssl0" --vdev "crypto_openssl1"
-c 0x6 -n 1 -- -p 0x3 -q 1 --chain CIPHER_ONLY --
cipher_algo aes-cbc --cipher_op ENCRYPT --cipher_key
01:02:03:04:05:06:07:08:09:0a:0b:0c:0d:0e:0f:10 --cryptodev_mask 0x30 -T 0
```

- 4 core: Depending on the platform being executed on, append the above blacklisting parameter to the end of this command:

```
dpdk-l2fwd-crypto --vdev "crypto_openssl0" --vdev "crypto_openssl1" --vdev
"crypto_openssl2" --vdev "crypto_openssl3" -c 0xf -n 1 -- -p 0xf -q 1 --
chain CIPHER_ONLY --cipher_algo aes-cbc --cipher_op ENCRYPT --cipher_key
01:02:03:04:05:06:07:08:09:0a:0b:0c:0d:0e:0f:10 --cryptodev_mask 0xF0 -T 0
```

– For DPAA2 Platform

- 1 core: Depending on the platform being executed on, append the above blacklisting parameter to the end of this command:

```
dpdk-l2fwd-crypto --vdev "crypto_openssl" -c 0x2 -n 1 -- -p 0x1 -q 1 --
chain CIPHER_ONLY --cipher_algo aes-cbc --cipher_op ENCRYPT --cipher_key
01:02:03:04:05:06:07:08:09:0a:0b:0c:0d:0e:0f:10 --cryptodev_mask 0x100 -T
0
```

- 2 core: Depending on the platform being executed on, append the above blacklisting parameter to the end of this command:

```
dpdk-l2fwd-crypto --vdev "crypto_openssl0" --vdev "crypto_openssl1"
-c 0x6 -n 1 -- -p 0x3 -q 1 --chain CIPHER_ONLY --
cipher_algo aes-cbc --cipher_op ENCRYPT --cipher_key
01:02:03:04:05:06:07:08:09:0a:0b:0c:0d:0e:0f:10 --cryptodev_mask 0x300 -T
0
```

- 4 core: Depending on the platform being executed on, append the above blacklisting parameter to the end of this command:

```
dpdk-l2fwd-crypto --vdev "crypto_openssl0" --vdev "crypto_openssl1" --vdev
"crypto_openssl2" --vdev "crypto_openssl3" -c 0xf -n 1 -- -p 0xf -q 1 --
chain CIPHER_ONLY --cipher_algo aes-cbc --cipher_op ENCRYPT --cipher_key
01:02:03:04:05:06:07:08:09:0a:0b:0c:0d:0e:0f:10 --cryptodev_mask 0xF00 -T
0
```

- Cipher\_hash

- For DPAA Platform:

- 1 core: Append the above blacklisting parameter to the end of this command:

```
dpdk-l2fwd-crypto --vdev "crypto_openssl" -c 0x2 -n 1 -- -p 0x1 -q 1 --
chain CIPHER_HASH --cipher_algo aes-cbc --cipher_op ENCRYPT --cipher_key
01:02:03:04:05:06:07:08:09:0a:0b:0c:0d:0e:0f:10 --auth_algo sha1-hmac --
auth_op GENERATE --cryptodev_mask 0x10 --auth_key_random_size 64 -T 0
```

- For DPAA2 Platform:

- 1 core: Append the above blacklisting parameter to the end of this command:

```
dpdk-l2fwd-crypto --vdev "crypto_openssl" -c 0x2 -n 1 -- -p 0x1 -q 1 --
chain CIPHER_HASH --cipher_algo aes-cbc --cipher_op ENCRYPT --cipher_key
01:02:03:04:05:06:07:08:09:0a:0b:0c:0d:0e:0f:10 --auth_algo sha1-hmac --
auth_op GENERATE --cryptodev_mask 0x100 --auth_key_random_size 64 -T 0
```

In the above commands, for scaling to multiple cores or ports, toggle the `-c` and `-p` arguments as described above.

An example command to run `dpdk-l2fwd-crypto` with `openssl` on `LS1012ARDB` (cipher only):

```
dpdk-l2fwd-crypto -c 0x1 --vdev='net_pfe0' --vdev='crypto_openssl' -n 1
-- -p 0x1 -q 1 --chain CIPHER_ONLY --cipher_algo aes-cbc --cipher_key
00:01:02:03:04:05:06:07:08:09:0a:0b:0c:0d:0e:0f --cipher_op ENCRYPT -T 0
```

- Hash\_cipher

- For DPAA Platform:

- 1 core: Append the above blacklisting parameter to the end of this command:

```
dpdk-l2fwd-crypto --vdev "crypto_openssl" -c 0x2 -n 1 -- -p
0x1 -q 1 --chain HASH_CIPHER --auth_algo sha1-hmac --auth_op
GENERATE --cipher_algo aes-cbc --cipher_op ENCRYPT --cipher_key
01:02:03:04:05:06:07:08:09:0a:0b:0c:0d:0e:0f:10 --cryptodev_mask 0x10 --
auth_key_random_size 64 -T 0
```

- For DPAA2 Platform:

- 1 core: Append the above blacklisting parameter to the end of this command:

```
dpdk-l2fwd-crypto --vdev "crypto_openssl" -c 0x2 -n 1 -- -p
0x1 -q 1 --chain HASH_CIPHER --auth_algo sha1-hmac --auth_op
GENERATE --cipher_algo aes-cbc --cipher_op ENCRYPT --cipher_key
01:02:03:04:05:06:07:08:09:0a:0b:0c:0d:0e:0f:10 --cryptodev_mask 0x100 --
auth_key_random_size 64 -T 0
```

In the above commands, for scaling to multiple cores or ports, toggle the `-c` and `-p` arguments.

- Hash\_only

- For DPAA Platform:

- 1 core: Append the above blacklisting parameter to the end of this command:

```
dpdk-l2fwd-crypto --vdev "crypto_openssl" -c 0x2 -n 1 -- -p 0x1 -q 1 --
chain HASH_ONLY --auth_algo sha1-hmac --auth_op GENERATE --cryptodev_mask
0x10 --auth_key_random_size 64 -T 0
```

- For DPAA2 Platform:

- 1 core: Append the above blacklisting parameter to the end of this command:

```
dpdk-l2fwd-crypto --vdev "crypto_openssl" -c 0x2 -n 1 -- -p 0x1 -q 1 --
chain HASH_ONLY --auth_algo sha1-hmac --auth_op GENERATE --cryptodev_mask
0x100 --auth_key_random_size 64 -T 0
```

For scaling to multiple cores or ports, toggle the `-c` and `-p` arguments as described above. For more information on `dpdk-l2fwd-crypto` application, see [https://doc.dpdk.org/guides-21.11/sample\\_app Ug/12\\_forward\\_crypto.html](https://doc.dpdk.org/guides-21.11/sample_app Ug/12_forward_crypto.html).

### 8.2.4.3.7 dpdk-ipsec-secgw – IPsec gateway using SEC hardware

For IPsec application, two DUTs need to be configured as endpoint 0 (ep0) and endpoint 1 (ep1).

Assuming that endpoint have 4 ports each:

- Connect Port 1 and Port 3 of the ep0 and ep1 to each other (back-to-back).
- Connect Port 0 and Port 2 of the ep0 and ep1 to packet generator (for example, Spirent).

The Stream generated by packet generator needs to have IP addresses in following pattern:

```
EP0:
port 0: 32 flows with destination IP: 192.168.1.XXX,
192.168.2.XXX, ,192.168.31.XXX,192.168.32.XXX
port 2: 32 flows with destination IP: 192.168.33.XXX,
192.168.34.XXX, ,192.168.63.XXX,192.168.64.XXX
EP1:
port 0: 32 flows with destination IP: 192.168.101.XXX,
192.168.102.XXX, ,192.168.131.XXX,192.168.132.XXX
port 2: 32 flows with destination IP: 192.168.133.XXX,
192.168.134.XXX, ,192.168.163.XXX,192.168.164.XXX
```

This represents default configurations for the endpoints in `ep0_64X64.cfg` and `ep1_64X64.cfg`. Custom port mappings, SA/SP, and the routes can be configured in the corresponding configuration file named as `ep0.cfg` and `ep1.cfg` for respective endpoint. These files are available in the Yocto-generated rootfs.

For further details, see [Table 168](#).

For more information, see [https://doc.dpdk.org/guides-21.11/sample\\_app Ug/ipsec\\_secgw.html](https://doc.dpdk.org/guides-21.11/sample_app Ug/ipsec_secgw.html).

- Endpoint 0 (ep0) configuration:

```
dpdk-ipsec-secgw -c 0xf -n 1 -- -p 0xf -P -u 0xa --config="(0,0,0), (1,0,1),
(2,0,2), (3,0,3)" -f ep0_64X64.cfg
```

- Endpoint 1 (ep1) configuration:

```
dpdk-ipsec-secgw -c 0xf -n 1 -- -p 0xf -P -u 0xa --config="(0,0,0), (1,0,1),
(2,0,2), (3,0,3)" -f ep1_64X64.cfg
```

**Note:** For LS1028, `--iova-mode=pa` should also be added as command-line parameter.

### 8.2.4.3.8 Running DPDK IPsec gateway application with hardware protocol offload

The DPAA/DPAA2 SEC hardware also supports IPsec protocol offload. The command and configurations are exactly same except the cfg files. For protocol offload, the cfg files are `ep0_64X64_proto.cfg` and `ep1_64X64_proto.cfg`. Performance with protocol offload would be much better than the standard case. *In case of platforms which have 8 cores, the command for 8 core will also be exactly same as non-offload case, except the name of the cfg files.*

- Endpoint 0 (ep0) configuration:

```
dpdk-ipsec-secgw -c 0xf -n 1 -- -p 0xf -P -u 0xa --config="(0,0,0),(1,0,1),(2,0,2),(3,0,3)" -f ep0_64X64_proto.cfg
```

- Endpoint 1 (ep1) configuration:

```
dpdk-ipsec-secgw -c 0xf -n 1 -- -p 0xf -P -u 0xa --config="(0,0,0),(1,0,1),(2,0,2),(3,0,3)" -f ep1_64X64_proto.cfg
```

**Note:** For LS1028, `--iova-mode=pa` should also be added as command-line parameter.

### 8.2.4.3.9 Running DPDK IPsec gateway application with eight cores

For running IPsec application with multiple queues using 64x64 tunnels and with eight cores, the following command and configuration must be done:

- Endpoint 0 (ep0) configuration:

Sample configuration for this is available in `ep0_64X64_proto.cfg` file which is available in the `/usr/share/dpdk/ipsec/` folder of root filesystem.

```
dpdk-ipsec-secgw -c 0xFF -n 1 -- -p 0xf -P -u 0xa --config="(0,0,0),(0,1,1),(1,0,2),(1,1,3),(2,0,4),(2,1,5),(3,0,6),(3,1,7)" -f ep0_64X64_proto.cfg
```

- Endpoint 1 (ep1) configuration:

Sample configuration for this is available in `ep1_64X64_proto.cfg` file which is available in the `/usr/share/dpdk/ipsec/` folder of root filesystem.

```
dpdk-ipsec-secgw -c 0xFF -n 1 -- -p 0xf -P -u 0xa --config="(0,0,0),(0,1,1),(1,0,2),(1,1,3),(2,0,4),(2,1,5),(3,0,6),(3,1,7)" -f ep1_64X64_proto.cfg
```

### 8.2.4.3.10 Running DPDK IPsec gateway application with 16 cores on LX2 platform

For running IPsec application with multiple queues using 64x64 tunnels and with 16 cores, following command and configuration needs to be done:

- Endpoint 0 (ep0) configuration:

Sample configuration for this is available in `ep0_64X64_sha256_proto.cfg` file available in `/usr/share/dpdk/ipsec/` folder in root filesystem.

```
dpdk-ipsec-secgw -c 0xFFFF -n 1 -- -p 0xf -P -u 0xa --config="(0,0,0),(0,1,1),(0,2,2),(0,3,3),(1,0,4),(1,1,5),(1,2,6),(1,3,7),(2,0,8),(2,1,9),(2,2,10),(2,3,11),(3,0,12),(3,1,13),(3,2,14),(3,3,15)" -f ep0_64X64_sha256_proto.cfg
```

- Endpoint 1 (ep1) configuration:

Sample configuration for this is available in `ep1_64X64_sha256_proto.cfg` file available in `/usr/share/dpdk/ipsec/` folder in root filesystem.

```
dpdk-ipsec-secgw -c 0xFFFF -n 1 -- -p 0xf -P -u 0xa --config="(0,0,0),(0,1,1),(0,2,2),(0,3,3),(1,0,4),(1,1,5),(1,2,6),(1,3,7),(2,0,8),(2,1,9),(2,2,10),(2,3,11),(3,0,12),(3,1,13),(3,2,14),(3,3,15)" -f ep1_64X64_sha256_proto.cfg
```

DPDK ipsec-secgw can also be executed in eventdev mode:

```
./dpdk-ipsec-secgw -c 0x3 --vdev="event_dpaa2" --vdev="event_dpaa2" -- -p 0x3 -P -u 0x1 -f /usr/share/dpdk/ipsec/ep0_64X64_proto.cfg --transfer-mode=event --event-schedule-type=parallel
```

Where:

Change `--vdev="event_dpaa2"` to `--vdev="event_dpaa"` for DPAA devices.

`--event-schedule-type` can have a value of `ordered`, `atomic`, or `parallel`

#### 8.2.4.3.11 dpdk-ipsec-secgw – IPsec gateway using OpenSSL PMD

The command, flow stream, and port configuration is similar to the [Section 8.2.4.3.7](#) command, flow stream and port configuration, except that it uses OpenSSL PMD for crypto operations. Internally, the OpenSSL PMD uses the ARMCE instructions for the Arm CPUs for performing crypto operations.

- For DPAA Platform:

- Endpoint 0 configuration

```
dpdk-ipsec-secgw -c 0xf -n 1 --vdev "crypto_openssl" -- -p 0xf -P -u 0xa --config="(0,0,0), (1,0,1), (2,0,2), (3,0,3)" --cryptodev_mask 0x10 -f ep0_64X64.cfg
```

- Endpoint 1 configuration

```
dpdk-ipsec-secgw -c 0xf -n 1 --vdev "crypto_openssl" -- -p 0xf -P -u 0xa --config="(0,0,0), (1,0,1), (2,0,2), (3,0,3)" --cryptodev_mask 0x10 -f ep1_64X64.cfg
```

- For DPAA2 Platform:

- Endpoint 0 configuration

```
dpdk-ipsec-secgw -c 0xf -n 1 --vdev "crypto_openssl" -- -p 0xf -P -u 0xa --config="(0,0,0), (1,0,1), (2,0,2), (3,0,3)" --cryptodev_mask 0x100 -f ep0_64X64.cfg
```

- Endpoint 1 configuration

```
dpdk-ipsec-secgw -c 0xf -n 1 --vdev "crypto_openssl" -- -p 0xf -P -u 0xa --config="(0,0,0), (1,0,1), (2,0,2), (3,0,3)" --cryptodev_mask 0x100 -f ep1_64X64.cfg
```

**Note:** Example command to run ipsec-secgw with openssl on LS1012ARDB:

```
dpdk-ipsec-secgw -c 0x1 -n 1 --vdev='net_pfe0' --vdev='net_pfe1' --vdev='crypto_openssl' -- -p 0x3 -P -u 0x2 --config="(0,0,0), (1,0,0)" -f ep0_64X64.cfg
```

Port IDs given in route commands in configuration files (`ep0_xxx.cfg` & `ep1_xxx.cfg`) must be valid and aligned with `-p` option of `ipsec-secgw` application.

#### 8.2.4.3.12 dpdk-kni - Using Kernel Network Interface Module

The Kernel NIC Interface (KNI) is a DPDK control plane solution that allows user space applications to exchange packets with the kernel networking stack. For details, refer to [http://dpdk.org/doc/guides/sample\\_app\\_ug/kernel\\_nic\\_interface.html](http://dpdk.org/doc/guides/sample_app_ug/kernel_nic_interface.html).

1. Loading the KNI kernel module without any parameter:

```
#insmod rte_kni.ko carrier=on
```

**Note:** By default, only one kernel thread is created for all KNI devices for packet receiving in kernel side.

2. Affine the kni task to a single core. For example, core number #1:

```
#taskset -pc 1 `pgrep -fl kni_single | awk '{print $1}'`
```

3. Run the kni application as given below:

```
dpdk-kni [EAL options] -- -P -p PORTMASK --
config="(port,lcore_rx,lcore_tx[,lcore_kthread,..])
[,port,lcore_rx,lcore_tx[,lcore_kthread,..])" # dpdk-kni -c 0xf -n 1 -- -
p 0x3 -P --config="(0,0,1),(1,0,1)" where config is : (PORT, kni lcore Rx
core, kni lcore tx core)
```

4. On another console, check the interfaces with:

```
#ifconfig -a
```

5. Enable the given interface and assign IP address (if any).

#### 8.2.4.3.13 dpdk-qdma-demo application

On DPAA1 and DPAA2, hardware QDMA block provides a generic DMA capability which has been exposed by DPDK for its application to use. `dpdk-qdma-demo` application in DPDK is a demonstration application which does a memory-to-memory, or memory to pci memory, or pci memory to memory transaction using this QDMA block. It can be executed in following manner:

- For MEM-to-MEM use case, run the below command:

```
dpdk-qdma_demo -c 0x3 -n 1 -- --packet_size=512--test_case mem_to_mem
```

**Note:** `dpdk-qdma_demo` requires more than one core to perform because it consumes at least one core for printing the output. For more details on its usage, see `nxp/README_qdma_demo` in DPDK source code.

The following output appears on the screen:

```
Time Spend :4000.005 ms rcvd cnt:1310720 pkt_cnt:0
Rate: 1342.176 Mbps OR 327.680 Kpps
processed on core 7 pkt cnt: 1310720
```

This output demonstrates the count of memory chunks which have been moved through QDMA block by the application. It also shows the time spent and the performance achieved, and packets sent per-core.

- For PCI-to-MEM and MEM-to-PCI use cases, run the following commands.

##### End Point steps

1. If LX2-EP PCI card, boot it to U-Boot prompt only.
2. For standard PCI NIC card, no change is required.

##### HOST - LX2 Root complex steps

1. Boot LX2 to Linux prompt.
2. Run `lspci -v` to check the address of BAR whose memory is targeted memory for test.

```
$ lspci -v
0000:01:00.0 Ethernet controller: Intel Corporation 82574L Gigabit
Network Connection
Subsystem: Intel Corporation Gigabit CT Desktop Adapter
Flags: bus master, fast devsel, latency 0, IRQ 106
Memory at 30460c0000 (32-bit, non-prefetchable) [size=128K]
Memory at 3046000000 (32-bit, non-prefetchable) [size=512K]
I/O ports at 1000 [disabled] [size=32]
Memory at 30460e0000 (32-bit, non-prefetchable) [size=16K]
```

```
Expansion ROM at 3046080000 [disabled] [size=256K]
Kernel driver in use: e1000e
```

### 3. Assign PCI device to user space.

- Load the UIO module, if not loaded already.

```
#modprobe uio_pci_generic
```

- Assign the device to user space.

```
#!/usr/share/dpdk/usertools/dpdk-devbind.py --bind=uio_pci_generic
0000:01:00.1
```

### 4. Run qdma\_demo application.

**Note:** At least two cores are required to run the test - one core is used for printing results/stats, and the other cores for running test.

For DPAA2 platform, execute the following commands to prepare the setup:

```
$export DPDMAI_COUNT=48
$./dynamic_dpl.sh dpmac.3
$export DPRC=dprc.2
```

- For MEM-to-PCI use case (using a Gen2-x1 - 1G PCI NIC), run the following command:

```
$ dpdk-qdma_demo -c 0x81 -- --pci_addr=0x3046000000 --packet_size=512 --
test_case=mem_to_pci
```

**Note:** The current QDMA demo code reads/writes only 4 KB area, that yields best bandwidth number.

To test read/write for big memory size, you can optionally pass `--pci_size` (size in byte).

For example, use: `--pci_size=2147483648` for 2 MB PCI and add `--latency_test` for testing latency.

#### 8.2.4.3.14 Pktgen – DPDK-based software packet generator

*Pktgen* is a software packet generator based on DPDK. Refer [Section 8.2.3.4](#) for steps required for building *Pktgen*.

All the commands below assume that *Pktgen* application is either executed from current folder or appropriate path environment variable has been set:

##### 1. 3 Port, 1 Core each

```
pktgen -l 0-3 -n 1 --proc-type auto --file-prefix pg --log-level 8 -- -T -P -
m "[1].0, [2].1, [3].2"
```

##### 2. 1 Port, 2 Core

```
pktgen -l 0-3 -n 1 --proc-type auto --file-prefix pg --log-level 8 -- -T -P -
m "[1:2].0"
```

##### 3. To start or stop traffic on a specific port:

```
start 0 # start <port number>
stop 0 # stop <port number>
```

##### 4. To start or stop traffic on all ports:

```
str
stp
```

#### 8.2.4.4 Multiple parallel DPDK applications

This section describes steps for executing multiple parallel DPDK applications on DPAA2 platform.



For executing multiple DPDK applications, each application instance should run with its own resource container (DPRC). This constraint is because of the way DPDK framework is designed to use a given container for exclusive use, irrespective of resources within, and bind it using VFIO layer. This design prevents parallel access to single resource container from multiple parallel instances of a single DPDK application, multiple parallel executions of different DPDK applications.

#### 8.2.4.4.1 Creating multiple DPRC instances

Using the resource container script documented in [this section](#), create multiple resource container instances on host. Following command creates a resource container with 2 network interfaces (and all other resources necessary to run a DPDK application).

The number of DMAI and I/O resources are limited. Therefore, the following commands are also limiting these resources in a container before executing the `dynamic_dpl.sh` so that both the containers can get all the required resources.

First DPRC (assuming name as `dprc.2` through rest of the document):

```
export DPDMAI_COUNT=32
export DPIO_COUNT=10
cd /usr/share/dpdk/dpaa2
Or, any other folder if custom installation of DPDK is done
./dynamic_dpl.sh <DPMAC1.id> <DPMAC2.id>
For example, execute
./dynamic_dpl.sh dpmac.1 dpmac.2
```

Second DPRC (assuming name as `dprc.3` through rest of the document):

```
export DPDMAI_COUNT=32
export DPIO_COUNT=10
cd /usr/share/dpdk/dpaa2
Or, any other folder if custom installation of DPDK is done
./dynamic_dpl.sh <DPMAC3.id> <DPMAC4.id>
For example, execute
./dynamic_dpl.sh dpmac.3 dpmac.4
```

#### 8.2.4.4.2 Executing multiple DPDK applications

Once the resource containers are created, on two separate terminals, execute the following commands to run **l2fwd** application, bridging traffic between both interfaces available in the container:

```
export DPRC=dprc.2
cd /usr/share/dpdk/examples/
./dpdk-l2fwd -c 0x3 -n 1 --file-prefix=p1 --socket-mem=1024 -- -p 0x3 -q 1
```

Some of the arguments, which are deviations from general **dpdk-l2fwd** command, are explained below:

**--file-prefix:** Each DPDK Application attempts to allocate some hugepages for DMA'd area. This allocation is done in the hugepages through the use of *hugepage* mount, by creating and mapping a file. This argument instructs the EAL to append a string to the filename. This way, multiple instances, having different such arguments, wouldn't attempt to open same hugepage mapping file.

**--socket-mem:** Passed to EAL, this instructs the EAL to allocate only specified amount of memory from the hugepages. By default, if this is not provided, a DPDK application would acquire all possible hugepages (all free pages) available on the Linux system.

For the second instance, command like following can be executed:

```
export DPRC=dprc.3
cd /usr/share/dpdk/examples/
./dpdk-l2fwd -c 0xc -n 1 --file-prefix=p2 --socket-mem=1024 -- -p 0x3 -q 1
```

Note the difference of values for `-c` and `--file-prefix` between the first and second command.

### 8.2.5 OVS-DPDK and DPDK in VM with VIRTIO interfaces

DPDK example and DPDK-based applications can also run inside the virtual machine. This section describes steps to run these applications inside the virtual machine on both DPAA1 and DPAA2 platforms.

The virtual machine runs inside the host Linux system and is launched by an application called QEMU.

**Note:**

*While using the virtual machine, the console logs for the guest Linux do not appear on the host Linux console (for example, UART). The guest logs are exposed through `telnet`, and they can be accessed by doing `telnet` on the host board's IP Address (`IP_ADDR_BRD`) and `GUEST_CONSOLE_TELNET_PORT`. Each Virtual machine that is run on a single host is allocated a different `GUEST_CONSOLE_TELNET_PORT`, and this port number is specified by user running virtual machine through the QEMU command-line.*

Following is the brief overview of the subsections of this section:

- [Section 8.2.5.1](#) describing steps required for QEMU setup for both, DPAA1 and DPAA2 platforms.
- [Section 8.2.5.2](#) describing steps necessary to launch OVS-DPDK on the host machine for switching traffic between VMs and external network.
- Various sections for launching a virtual machine and executing a DPDK application:
  - [Section 8.2.5.3](#) for launching a virtual machine.
  - [Section 8.2.5.4](#) for accessing a virtual machine console from a network connected machine over `telnet`.
  - [Section 8.2.5.5](#) for launching more than one virtual machine.
  - [Section 8.2.5.6](#) for running DPDK applications in the virtual machine.
- [Section 8.2.5.7](#) describes steps for DPDK application using multiple queues.

#### 8.2.5.1 Generic steps

See [Section 9.1.2](#) KVM/QEMU for detailed information about deploying virtual machines using KVM/QEMU using Layerscape boards.

The reference above serves as base for deploying virtual machines and DPDK application in them. All the following sections assume that `qemu-system-aarch64`, kernel image, and virtual machine rootfs are available with DPDK sample application.

**Note:** Give IP address to the board so that virtual machine console can be accessed using `Telnet`.

```
ifconfig eth<x> <IP_ADDR_BRD>
```

#### 8.2.5.2 Configuring OVS

OVS-DPDK application binary and configuration files are available in the `/usr/bin/ovs-dpdk/` folder in the Yocto-generated rootfs.

It is assumed that before executing command snippets in this section, necessary steps mentioned in [Section 8.2.5.1](#) have already been executed.

**Note:** Command snippets below assume that commands are executed while being present in `/usr/bin/ovs-dpdk/` folder. Or, appropriate `PATH` variable has been set. As the OVS commands are spread across multiple folders, each command snippet also shows the location of these binaries relative to above folder.

Command snippets below assume that commands are executed while being present in this folder or appropriate `PATH` variable has been set.

OVS is used as a back-end for VHOST USER ports. The physical ports on the target platform and the vhost user ports (virtio devices) are added to `ovs-vswitch` and the flows in OVS are programmed so as to establish traffic switching between physical ports and vhost devices as follows:

- Incoming traffic Physical port1 => output to vhost-user port 1
- Incoming traffic on vhost-user port1 => output on physical port 1
- Incoming traffic on physical port 2 => output on vhost-user port 2
- Incoming traffic on vhost-user port 2 => output on physical port 2

The following steps must be followed to set up OVS as vhost switching back-end:

1. Reset the OVS environment.

```
pkill -9 ovs

rm /usr/local/etc/openvswitch/conf.db

rm -rf /usr/local/var/run/openvswitch/vhost-user-1

rm -rf /usr/local/var/run/openvswitch/vhost-user-2
```

2. Specify the initial Open vSwitch (OVS) database to use:

```
mkdir -p /usr/local/etc/openvswitch # If the folder doesn't already exist

mkdir -p /var/log/openvswitch # to ensure that OVS logging can be done

mkdir -p /usr/local/var/run/openvswitch

ovsdb-tool create /usr/local/etc/openvswitch/conf.db ./vswitch.ovsschema

ovsdb-server --remote=punix:/usr/local/var/run/openvswitch/db.sock --
remote=db:Open_vSwitch,Open_vSwitch,manager_options --pidfile=/tmp/ovsdb-
server.pid --detach --log-file=/var/log/openvswitch/ovs-vswitchd.log

export DB_SOCKET=/usr/local/var/run/openvswitch/db.sock
```

3. Configure the OVS to support DPDK ports:

```
ovs-vsctl --no-wait set Open_vSwitch . other_config:dpdk-init=true
```

4. Configure OVS to work with 1G memory (1024M) backed by hugepages

```
export SOCK_MEM=1024

ovs-vsctl --no-wait set Open_vSwitch . other_config:dpdk-socket-
mem="$SOCK_MEM"
```

5. Define Cores for OVS Operations

```
export OVS_SERVICE_MASK=0x1
```

```
export OVS_CORE_MASK=0x6
```

```
ovs-vsctl --no-wait set Open_vSwitch . other_config:dpdk-lcore-mask=
$OVS_SERVICE_MASK
```

```
ovs-vsctl --no-wait set Open_vSwitch . other_config:pmd-cpu-mask=
$OVS_CORE_MASK
```

**Note:** *OVS\_CORE\_MASK should be chosen such as to not include Core 0. OVS\_SERVICE\_MASK should be any core which is not already assigned to OVS\_CORE\_MASK. This way, OVS services threads (defined by OVS\_SERVICE\_MASK) will not compete for CPU scheduling with OVS I/O threads (OVS\_CORE\_MASK). OVS\_SERVICE\_MASK can be set to Core 0 as defined in example above.*

- Set Exact Match Cache(EMC) Insertion probability to 1 so that cache insertion is performed for every flow.

```
$ ovs-vsctl --no-wait set Open_vSwitch . other_config:emc-insert-inv-prob=1
```

- Start the ovs-vswitchd daemon:

```
ovs-vswitchd unix:$DB_SOCKET --pidfile --detach
```

**Note:** *--detach option makes the daemon run in background. If this option is given same shell can be used to run further commands, otherwise ssh to the target board and run further commands. Each time you reboot or there is an OVS termination, you need to rebuild the OVS environment and repeat steps 1-6 of this section*

- Create an OVS bridge.

```
ovs-vsctl add-br br0 -- set bridge br0 datapath_type=netdev
```

- Create DPDK port

For creating DPDK ports with OVS, platform-specific port information needs to be provided to OVS.

- ```
ovs-vsctl add-port br0 dpdk0 -- set Interface dpdk0 type=dpdk options:dpdk-
devargs=dpni.1
```

```
ovs-vsctl add-port br0 dpdk1 -- set Interface dpdk1 type=dpdk options:dpdk-
devargs=dpni.2
```

Above commands attach the DPAA2 ports `dpni.1` and `dpni.2` with OVS. In case different ports are required, above command should be modified accordingly.

Note: *For DPAA ports, replace `dpni.X` with `fm1-macX`. For example, `options:dpdk-devargs=fm1-mac3`.*

Note: *Another way to pass device names to OVS is to pass along with bus name. For example, for FSLMC/DPAA2 devices, `options:dpdk-devargs=fs1mc:dpni.1` can be used. For DPAA1, `options:dpdk-devargs=dpaa:fm1-mac3` can be used. DPDK would be able to parse either naming style, whether provided with bus name or without.*

- Create vhost-user port

```
ovs-vsctl add-port br0 vhost-user1 -- set Interface vhost-user1
type=dpdkvhostuser
```

```
ovs-vsctl add-port br0 vhost-user2 -- set Interface vhost-user2
type=dpdkvhostuser
```

- Configure the queues to have 1K RX descriptors

```
ovs-vsctl set Interface dpdk0 options:n_rxq_desc=1024
ovs-vsctl set Interface dpdk1 options:n_rxq_desc=1024
```

12. Commands to Configure Multi Queues

```
ovs-vsctl set Interface dpdk0 options:n_rxq=4
ovs-vsctl set Interface dpdk1 options:n_rxq=4
ovs-vsctl set Interface dpdk0 options:n_txq=4
ovs-vsctl set Interface dpdk1 options:n_txq=4
```

Note: The above commands are required only in case of multi-queue use case (Four queues are used in above reference commands). For single queue mode, no commands needed as OVS by default configures single queue.

13. Delete OVS flow

```
ovs-ofctl del-flows br0
```

14. Set OVS flow rules for external-to-external path:

Note: The commands below configure a hard-coded bidirectional data path between Port 1 and Port 2. Use this step only for OVS external-to-external testing. For OVS Host-to-VM configuration, skip and continue with next step.

```
ovs-ofctl add-flow br0 -O OpenFlow13 table=0,in_port=1,actions=output:2
```

```
ovs-ofctl add-flow br0 -O OpenFlow13 table=0,in_port=2,actions=output:1
```

15. Set OVS flow rules between Host to VM:

Note: The steps below configure OVS such that Port 1 <=> Port 3 and Port 2 <=> Port 4 are connected to each other. If a different configuration is required, the commands below should be altered as well as VM configurations.

```
ovs-ofctl add-flow br0 -O OpenFlow13 table=0,in_port=1,actions=output:3
```

```
ovs-ofctl add-flow br0 -O OpenFlow13 table=0,in_port=3,actions=output:1
```

```
ovs-ofctl add-flow br0 -O OpenFlow13 table=0,in_port=2,actions=output:4
```

```
ovs-ofctl add-flow br0 -O OpenFlow13 table=0,in_port=4,actions=output:2
```

Note: OVS Switch (`ovs-vswitchd`) must be run before launching the virtual machine using QEMU, otherwise the virtual machine launch will fail.

16. Run the following command to enable emc-cache lookups in OVS. This helps in enhancing the lookup speed to ensure better performance.

```
ovs-vsctl --no-wait set Open_vSwitch . other_config:emc-insert-inv-prob=1
```

17. Verify the Flows inserted:

```
ovs-ofctl dump-flows br0
```

Note: Performance of OVS is highly dependent on the use case - which includes the configuration of flows, the flows being pumped, SMC or EMC configuration and so on. It is important to analyze these dependencies before performance measurement or benchmarking can be done. For performance benchmarking it is preferred that 256 flows are configured in the environment. Distribution (RSS) maybe impacted when number of flows are low; at the same time, if higher number of flows are used it would impact the cache usage.

8.2.5.3 Launch Virtual Machine

This section describes necessary environment setup and commands for launching a Virtual Machine (VM).

It is assumed that before executing command snippets in this section, necessary steps mentioned in [Section 8.2.5.1](#) and [Section 8.2.5.2](#) have already been executed.

8.2.5.3.1 Setup the environment

For accessing the VM, *telnet* is used. This environment variable defines the *telnet* port to be used.

```
export GUEST_CONSOLE_TELNET_PORT=4446 # Telnet port to be used for accessing
the virtual machine
```

```
export ROOTFS_IMG=<VM_ROOTFS_IMG>
```

Define other environment variables which are used by the QEMU command to configure the virtual machine environment:

```
export VM_MEM=2048M
export VM_CORES=2
export NUM_QUEUES=1
```

Note: *VM_CORES* are the number of cores to reserve for the virtual machine operation.

Export the following paths:

```
export VHOST1_PATH=/usr/local/var/run/openvswitch/vhost-user1
export VHOST2_PATH=/usr/local/var/run/openvswitch/vhost-user2
```

8.2.5.3.2 Launch QEMU and virtual machine

Launch the QEMU emulator using the following command.

```
qemu-system-aarch64 -nographic -object memory-backend-file,id=mem,size=
$VM_MEM,mem-path=/dev/hugepages,share=on -cpu host -machine
type=virt -kernel /boot/Image -enable-kvm -serial tcp::
$GUEST_CONSOLE_TELNET_PORT,server,telnet -append 'root=/dev/vda rw
console=ttyAMA0,115200 rootwait earlyprintk' -m $VM_MEM -numa node,memdev=mem
-chardev socket,id=char1,path=$VHOST1_PATH -netdev type=vhost-
user,id=hostnet1,chardev=char1,vhostforce,queues=$NUM_QUEUES -device virtio-
net-pci,disable-modern=false,addr=0x3,netdev=hostnet1,id=net1,mrg_rxbuf=off
-chardev socket,id=char2,path=$VHOST2_PATH -netdev type=vhost-
user,id=hostnet2,chardev=char2,vhostforce,queues=$NUM_QUEUES -device virtio-net-
pci,disable-modern=false,addr=0x4,netdev=hostnet2,id=net2,mrg_rxbuf=off -smp
$VM_CORES -S -drive if=none,file=$ROOTFS_IMG,id=foo,format=raw -device virtio-
blk-device,drive=foo
```

Note: For best performance, Core 0 in the VM should not be used for DPDK I/O threads.

Also, to avoid system services from using GPUs scheduled for DPDK I/O threads, it is recommended that *isolcpus* be used for isolating cores from Linux Kernel scheduling in VM. The exact configuration is dependent on number of CPU assigned by QEMU to VM using the *VM_CORES* environment variable.

Append *isolcpus=1-\$VM_CORES* to the *'root=/dev/vda rw console=ttyAMA0,115200 rootwait earlyprintk'* string in the *qemu-system-aarch64* command given above.

Note: Extra care should be taken for value assigned to *mem-path* variable. It should point to a valid mounted hugepage filesystem. In case the value assigned to *mem-path* is not a valid hugepage filesystem, QEMU would create a *mmap'd* file for its work which might negatively impact performance.

Following logs appear on the host UART console:

```
QEMU 2.11.1 monitor - type 'help' for more information (qemu) QEMU waiting for
connection on: disconnected:telnet::4446,server
```

Note: Complete QEMU logs are visible only when `telnet` is used for logging into the guest machine, as described in [Section 8.2.5.4](#).

The `-s` option mentioned in the `qemu` command stops the virtual machine bootup after initial setup. Run the `info cpus` command on QEMU CLI interface to see the QEMU threads.

```
(qemu) info cpus * CPU #0: thread_id=2559 CPU #1: (halted) thread_id=2560
```

SSH on the board (`telnet` to IP address `IP_ADDR_BRD`) from other console and affine the threads to the cores using the `taskset` command:

```
taskset -p 0x4 <tid1>
taskset -p 0x8 <tid1>
```

Note: It is recommended to affine the VCPUs to the cores on which OVS threads are not running. For better performance, VCPU threads should be given one physical CPU each if possible.

Run the `c` command from the QEMU CLI to continue the VM boot-up:

```
(qemu) c
```

8.2.5.4 Accessing virtual machine console

Telnet to the `IP_ADDR_BRD` at port `GUEST_CONSOLE_PORT` from any machine, which can reach `IP_ADDR_BRD` over network:

```
telnet 192.168.1.141 4446
```

8.2.5.5 Launching two virtual machines

This section describes steps for launching 2 virtual machine simultaneously for multiple VM use cases.

Note:

- Memory assigned to each virtual machine should not exceed the total number of huge pages assigned on system. In following example, 2048 Mbit to each virtual machine has been specified and verified to be working correctly.
- Console `telnet` port of both virtual machine must be different. In the below example, VM1 has port 4446 and VM2 has port 4447 configured for `telnet`. Modify the command accordingly if different values are required.

Launch VM1:

```
qemu-system-aarch64 -nographic -object memory-backend-file,id=mem,size=
$VM_MEM,mem-path=/dev/hugepages,share=on -cpu host -machine type=virt -
kernel /boot/Image -enable-kvm -serial tcp::4446,server,telnet -append 'root=/
dev/vda rw console=ttyAMA0,115200 rootwait earlyprintk' -m $VM_MEM -numa
node,memdev=mem -chardev socket,id=char1,path=$VHOST1_PATH -netdev type=vhost-
user,id=hostnet1,chardev=char1,vhostforce,queues=$NUM_QUEUES -device virtio-
net-pci,disable-modern=false,addr=0x3,netdev=hostnet1,id=net1,mrg_rxbuf=off
-chardev socket,id=char2,path=$VHOST2_PATH -netdev type=vhost-
user,id=hostnet2,chardev=char2,vhostforce,queues=$NUM_QUEUES -device virtio-net-
```

```
pci,disable-modern=false,addr=0x4,netdev=hostnet2,id=net2,mrg_rxbuf=off -smp
$VM_CORES -S -drive if=none,file=$ROOTFS_IMG,id=foo,format=raw -device virtio-
blk-device,drive=foo
```

Launch VM2:

```
qemu-system-aarch64 -nographic -object memory-backend-file,id=mem,size=
$VM_MEM,mem-path=/dev/hugepages,share=on -cpu host -machine type=virt -
kernel /boot/Image -enable-kvm -serial tcp::4447,server,telnet -append 'root=/
dev/vda rw console=ttyAMA0,115200 rootwait earlyprintk' -m $VM_MEM -numa
node,memdev=mem -chardev socket,id=char1,path=$VHOST1_PATH -netdev type=vhost-
user,id=hostnet1,chardev=char1,vhostforce,queues=$NUM_QUEUES -device virtio-
net-pci,disable-modern=false,addr=0x3,netdev=hostnet1,id=net1,mrg_rxbuf=off
-chardev socket,id=char2,path=$VHOST2_PATH -netdev type=vhost-
user,id=hostnet2,chardev=char2,vhostforce,queues=$NUM_QUEUES -device virtio-net-
pci,disable-modern=false,addr=0x4,netdev=hostnet2,id=net2,mrg_rxbuf=off -smp
$VM_CORES -S -drive if=none,file=$ROOTFS_IMG,id=foo,format=raw -device virtio-
blk-device,drive=foo
```

8.2.5.6 Running DPDK applications in VM

All the DPDK applications mentioned in this section have been tested in following configuration:

- Two physical network interfaces
- Two virtio-net devices in the virtual machine

The figure below illustrates the test setup.

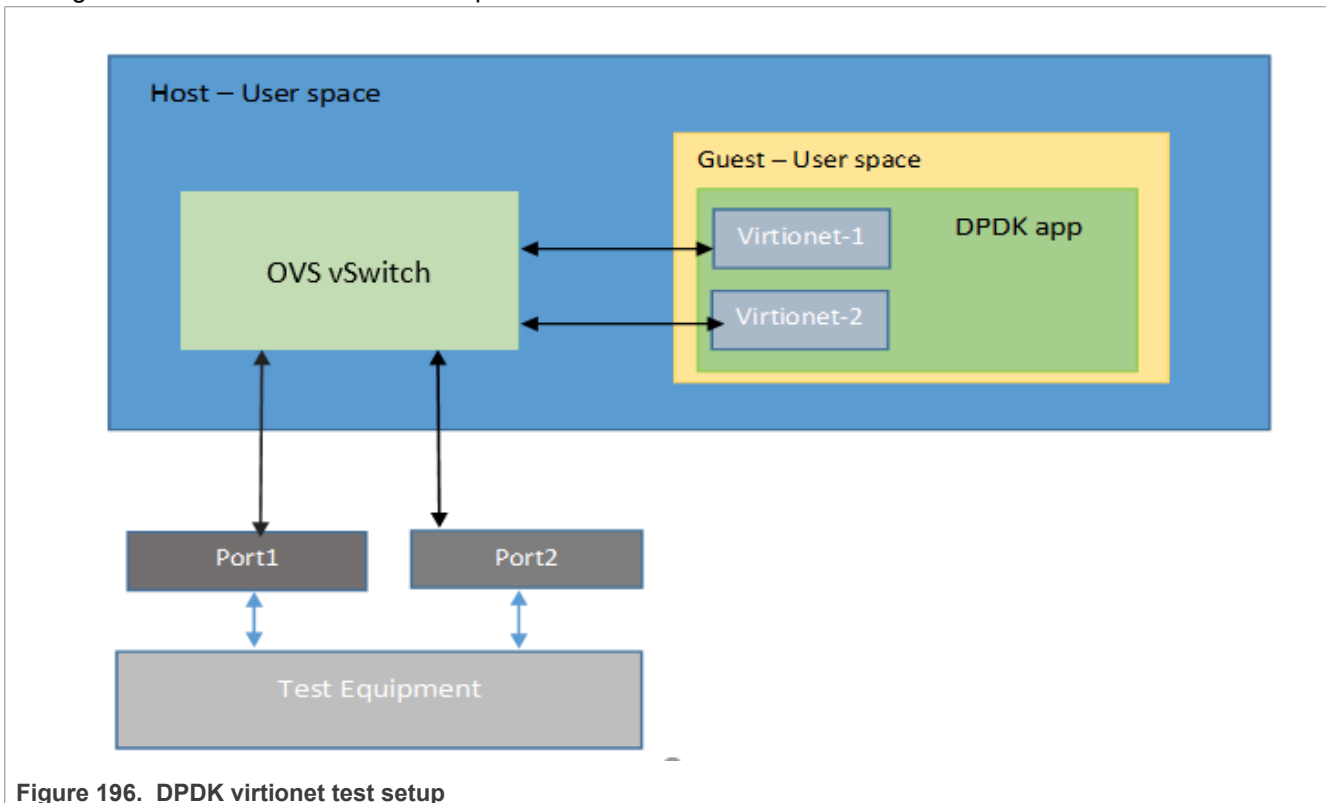


Figure 196. DPDK virtionet test setup

8.2.5.6.1 Generic setup

DPDK example application binaries are available in the `/usr/share/dpdk/examples/` folder in the Yocto-generated rootfs.

- Set up hugepages:

```
mkdir /dev/hugepages
mount -t hugetlbfs none /dev/hugepages
echo 512 > /proc/sys/vm/nr_hugepages ; for dpaal change change size as 256
```

Note: For the below commands, it is assumed that they are executed from `/usr/share/` folder. Modify the commands for different path or `PATH` variable configuration.

- Set up the devices using DPDK scripts:

```
/usr/bin/dpdk-devbind.py --status
/usr/bin/dpdk-devbind.py -b uio_pci_generic 0000:00:03.0
/usr/bin/dpdk-devbind.py -b uio_pci_generic 0000:00:04.0
```

8.2.5.6.2 Run DPDK applications

Note: Using Core 0 for DPDK application can lead to non-deterministic behavior, including drop in performance. It is recommended that DPDK application core mask values avoid using Core 0.

Note: `dpdk-13fwd` cannot work in VM with Virtio interfaces as offload mode for IP protocol is not supported by the DPDK Virtio driver

Note: VM virtio is only functionally enabled and the performance is not comparable to the performance that we get on host.

Executing `dpdk-12fwd` application:

```
dpdk-12fwd -c 0x2 -n 1 -- -p 0x1 -q 1 -T 0
```

Executing `testpmd` application:

- For TX only:

```
dpdk-testpmd -c 0x3 -n 1 -- -i --nb-cores=1 --portmask=0x1 --nb-ports=1 --
forward-mode=txonly --disable-hw-vlan --port-topology=chained
```

- For RX only:

```
dpdk-testpmd -c 0x3 -n 1 -- -i --nb-cores=1 --portmask=0x1 --nb-ports=1 --
forward-mode=rxonly --disable-hw-vlan --port-topology=chained
```

8.2.5.7 Multi Queue VIRTIO support

To scale the performance against the number of VM cores, the VIRTIO devices need to be configured with multiple queues. This section explains the steps required for setup multi queue VIRTIO devices.

See **Generic Setup** of DPAA platform including configuration necessary for defining multiple queues before DPDK application is executed. No special setup is required for DPAA2 before DPDK application start. See [Section 8.2.5.2](#) for setting OVS-DPDK on the host. Steps defined below build upon the configurations and steps provided in these sections for multiqueue support.

QEMU commands for multiqueue vhost devices are different and are shown later in the section.

8.2.5.7.1 Additional steps for OVS setup

Besides the steps mentioned in [Section 8.2.5.2](#), following changes are required to modify the number of supported queues in the virtual machine.

Run the following commands after adding DPDK and vhost-user ports to the bridge:

```
ovs-vsctl set Interface dpdk0 options:n_rxq=2
ovs-vsctl set Interface dpdk1 options:n_rxq=2
ovs-vsctl set Interface dpdk0 options:n_txq=2
ovs-vsctl set Interface dpdk1 options:n_txq=2
ovs-vsctl set Interface vhost-user1 options:n_rxq=2
ovs-vsctl set Interface vhost-user2 options:n_rxq=2
ovs-vsctl set Interface vhost-user1 options:n_txq=2
ovs-vsctl set Interface vhost-user2 options:n_txq=2
```

8.2.5.7.2 Launch VM with multiqueue VHOST devices

Similar to the steps mentioned in [Section 8.2.5.3](#), following steps are required to start the virtual machine. Changes are highlighted with **bold**:

Note: Command snippets shown below are valid for DPAA2 platform. Replace *dpaa2* with *dpaa* for equivalent command on DPAA platform.

```
export GUEST_CONSOLE_TELNET_PORT=4446
export VM_MEM=2048M # For DPAA1 use VM_MEM=650M
export VM_CORES=2
export NUM_QUEUES=2
export ROOTFS_IMG=<VM_ROOTFS_IMG>
export VHOST1_PATH=/usr/local/var/run/openvswitch/vhost-user1
export VHOST2_PATH=/usr/local/var/run/openvswitch/vhost-user2
qemu-system-aarch64 -nographic -object memory-backend-file,id=mem,size=$VM_MEM,mem-path=/mnt/
hugepages,share=on -cpu host -machine type=virt -kernel /boot/Image -enable-kvm -serial tcp:
$GUEST_CONSOLE_TELNET_PORT,server,telnet -append 'root=/dev/vda rw console=ttyAMA0,115200 rootwait
earlyprintk' -m $VM_MEM -numa node,memdev=mem -chardev socket,id=char1,path=$VHOST1_PATH -netdev
type=vhost-user,id=hostnet1,chardev=char1,vhostforce,queues=$NUM_QUEUES -device virtio-net-pci,disable-
modern=false,addr=0x3,netdev=hostnet1,mq=on,id=net1,mrg_rxbuf=off,vectors=6 -chardev socket,id=char2,path=
$VHOST2_PATH -netdev type=vhost-user,id=hostnet2,chardev=char2,vhostforce,queues=$NUM_QUEUES -device virtio-net-
pci,disable-modern=false,addr=0x4,netdev=hostnet2,mq=on,id=net2,mrg_rxbuf=off,vectors=6 -smp $VM_CORES -S -drive
if=none,file=$ROOTFS_IMG,id=foo,format=raw -device virtio-blk-device,drive=foo
```

8.2.5.7.3 DPDK applications in VM

Connect to VM terminal as explained in [Section 8.2.5.4](#). After you are logged in as guest, DPDK applications using multiple queues can be run in VM.

Note: If the number of queues defined for DPDK application in VM is not equal to number of queues (*NUM_QUEUES*) defined in QEMU command, the application may fail to start.

Note: For the below commands, it is assumed that they are executed from */usr/share/* folder. Modify the commands for different path or *PATH* variable configuration.

Besides the above steps, all steps are same as described in [single queue VM usecase](#).

Set up the devices using DPDK scripts:

```
/usr/bin/dpdk-devbind.py --status
/usr/bin/dpdk-devbind.py -b uio_pci_generic 0000:00:03.0
/usr/bin/dpdk-devbind.py -b uio_pci_generic 0000:00:04.0
```

Execute l3fwd application:

```
dpdk-l3fwd -c 0x3 -n 1 -- -p 0x3 --config="(0,0,0),(0,1,0),(1,0,1),(1,1,1)" -P --parse-ptype
```

Execute testpmd application:

```
dpdk-testpmd -c 3 -n 1 -- -i --nb-cores=1 --nb-ports=1 --total-num-mbufs=1025 --forward-mode=txonly --disable-hw-vlan --rxq=2 --txq=2 --port-topology=chained
```

8.2.5.8 OVS DPDK Performance Guide

OVS has a hierarchy of lookups. All the flows are initially added into the Openflow database (openflow block shown in Figure 197). When a flow is received, its entries get populated into EMC/SMC/Megaflow.

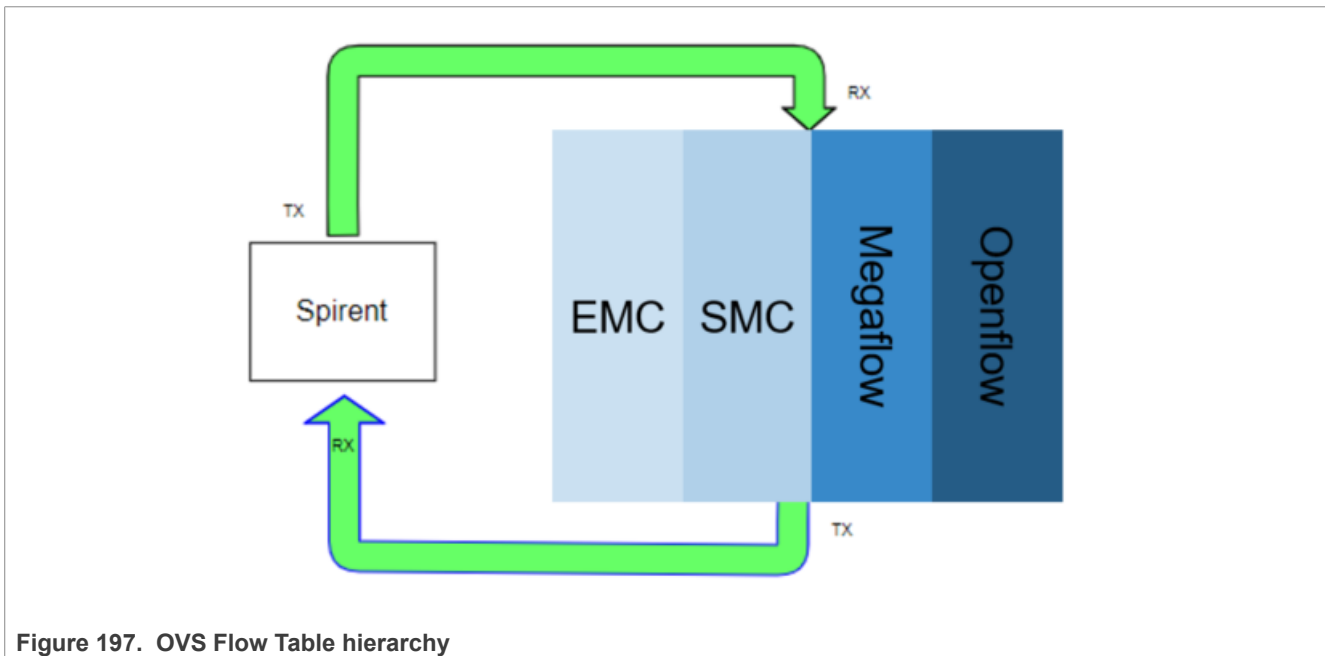


Figure 197. OVS Flow Table hierarchy

The exact-match cache (EMC) is the first and fastest mechanism Open vSwitch* (OVS) uses to determine what to do with an incoming packet. If the action for the packet cannot be found in the EMC, the search continues in the SMC cache followed by Megaflow classifier, and failing that the OpenFlow* flow tables are consulted. This can be thought of as similar to how a CPU checks increasingly slower levels of cache when accessing data.

By default, the EMC cache is enabled and SMC cache is disabled and both of them can be enabled or disabled via command-line only.

EMC cache can support up to max of 8K flows at a time, whereas SMC cache can support up to 100K entries.

With respect to flows for performance of OVS host cases, it is recommended to use the flows as follows:

- Use 256 flows for scenarios with 4 cores or less than 4 cores
- Use 2K flows for scenarios with more than 4 cores
- In case flows are more than 8K, disable EMC cache and enable SMC cache

To disable EMC cache and enable SMC cache, use the commands:

```
ovs-vsctl --no-wait set Open_vSwitch . other_config:emc-insert-inv-prob=0
ovs-vsctl --no-wait set Open_vSwitch . other_config:smc-enable=true
```

To enable EMC cache and disable SMC cache, use the commands:

```
ovs-vsctl --no-wait set Open_vSwitch . other_config:emc-insert-inv-prob=1
ovs-vsctl --no-wait set Open_vSwitch . other_config:smc-enable=false
```

To use per core memory pool use the below command:

```
ovs-vsctl set Open_vSwitch . other_config:per-port-memory=true
```

8.2.6 Enabling DPAA2 direct assignment for DPDK

The DPAA2 architecture supports the assignment of direct dpaa2 resource access from the QEMU guest VM (Kernel or user space app). See **Direct assigned devices**.

This section describes necessary environment setup and commands for launching a Virtual Machine (VM) with VFIO device passthrough or direct device assignment support.

Note: Arm-V8 currently support VM to work in NO-IOMMU mode only. Which means that all HW access will use physical address mode only. The default sdk code is build with virtual addressing mode only. You will need to rebuild the the dpdk for after by manually setting `RTE_LIBRTE_DPAA2_USE_PHYS_IOVA` as true in `config/arm/meson.build` and then build DPDK and example applications through standard compilation steps. Enabling `RTE_LIBRTE_DPAA2_USE_PHYS_IOVA` enables physical addressing mode (IOVA) which is required for direct assignment functionality.

Then follow the instructions in [Section 8.2.3.3](#) section to build DPDK applications.

You can transfer the applications manually to the virtual machine using the host-vm connections as suggested to configure in next section.

8.2.6.1 Launch virtual machine

Perform the following steps to launch the virtual machine:

Ensure that kernel is enabled for direct assignment mode. For more details, see [Section 9.1.2.5](#).

Note: The default QEMU present in filesystem may not support the direct assignment feature.

1. Execute the following commands to build QEMU 4.2 with VFIO passthrough support locally:

```
git clone https://github.com/nxp-qoriq/qemu.git
cd qemu
git checkout qemu-4.2
git submodule update --init dtc
```

Ensure that your machine has the required packages to build QEMU.

Refer the example below:

```
#update your ubuntu m/c with required packages. apt-get install pkg-config
apt-get install libglib2.0-dev apt-get install libpixman-1-dev apt-get
install libaio-dev apt-get install libusb-1.0-0-dev
```

Now, build the QEMU:

```
./configure --prefix=/root/qemu-4.2 --target-list=aarch64-softmmu --enable-
fdt --enable-kvm
make
make install
```

The new QEMU will be installed in the `/root/qemu-4.2` folder.

2. Create DPAA2 resources for the VM guest kernel and VM guest user space (dpdk) on the board.

The dynamic scripts to support the `dpaa2` resource creation are available in (`/usr/share/dpdk/dpaa2/`) for Layerscape LDP rootfs. It is also part of the DPDK source code in the `nxp` folder.

```
export DPDK_SCRIPTS=/usr/share/dpdk/dpaa2/
```

Create a DPNI-based interface for file transfer and communication between host and VM guest kernel.

```
ls-addni -n
Output:---Created interface: eth0 (object:dpni.1, endpoint:)
```

Create the VM guest kernel container. For more details, see sections on "How to use DPAA2 direct assignment without scripts" and "How to use DPAA2 direct assignment with scripts".

A sample `vm_linux.conf` file is provided in scripts to create the VM guest kernel container. In this, the number of resources are good for 2 core VM. The previously created `dpni` object is also passed to connect it with the guest kernel container.

```
source $DPDK_SCRIPTS/dynamic_dpl.sh -c $DPDK_SCRIPTS/vm_linux.conf <dpni.x>
Where, <dpni.x> is dpni interface created by "ls-addni" command.
```

In the next step, create the container for VM guest user space for DPDK:

```
source $DPDK_SCRIPTS/dynamic_dpl.sh -c $DPDK_SCRIPTS/vm_dpdk.conf <dpmac.x>
<dpmac.y>
Where, <dpmac.x> & <dpmac.y> are required MAC interfaces.
```

Note: Make sure to enter the created parent DPRC into `vm_dpdk.conf`

For the rest of the section, it is assumed that VM guest kernel container is `dprc.2` and VM guest user space child container is `dprc.3` (nested).

Create an Ethernet connect between host and VM for communication/transfer. This was already created and passed during the `vm-linux` container.

```
#assign IP to host interface created to communicate with VM (dprc.2, eth0)
ifconfig eth0 192.168.2.2
```

3. Create hugepages mount (if not already created):

```
echo hugetlbfs /dev/hugepages hugetlbfs defaults,mode=0777 0 0 >> /etc/fstab
mkdir /dev/hugepages
mount /dev/hugepages
```

4. Launch QEMU (version: 4.2.0) using the following command:

For generating a root filesystem image, refer to "Creating a guest Linux root filesystem".

Assign the `ROOTFS_IMG` in below command with the absolute path to the generated image:

```
export ROOTFS_IMG=/root/ls-image-main-<board>.ext4
# Telnet port to be used for accessing this instance of virtual machine
export GUEST_CONSOLE_TELNET_PORT=4446
export KERNEL_IMG=/root/Image
```

Define the other environment variables that are used by the QEMU command to configure the virtual machine environment:

```
export VM_MEM=4096M # 2048M for LS1088ARDB
```

1. Add the device command below (for the GUEST KERNEL DPRC to be assigned) to the QEMU command-line:

```
-device vfio-fsl-mc,host=dprc.2
```

Ensure to specify the appropriate number of cores for the guest VM. It should match the number of dpio objects created in the child container. In this case, it is 1 core.

```
-smp $VM_CORES
```

2. Start QEMU with -S option (the vcpu threads are not yet started).

We need this for the Ethernet drivers in the guest to bind the objects to the cores correctly.

```
# single core VM launch /root/qemu-4.2/bin/qemu-system-aarch64 -smp
$VM_CORES -m $VM_MEM -mem-path /dev/hugepages -cpu host -machine
type=virt,gic-version=3 -kernel $KERNEL_IMG -enable-kvm -display none -
serial tcp::$GUEST_CONSOLE_TELNET_PORT,server,telnet -drive if=none,file=
$ROOTFS_IMG,id=foo,format=raw -device virtio-blk-device,drive=foo -append
'root=/dev/vda rw console=ttyAMA0 rootwait earlyprintk' -monitor stdio -
device vfio-fsl-mc,host=dprc.2 -S
```

```
# Two core VM launch
```

(Check the `isolcpus` for core #1 in bootargs).

Note:

- For best performance, Core 0 in the VM should not be used for DPDK I/O threads.
- To avoid system services from using GPUs scheduled for DPDK I/O threads, it is recommended that `isolcpus` be used for isolating cores from Linux Kernel scheduling in VM. The exact configuration is dependent on number of CPU assigned by QEMU to VM using the `VM_CORES` environment variable.

Append `isolcpus=1-$VM_CORES` to the `root=/dev/vda rw console=ttyAMA0,115200 rootwait earlyprintk` string in the `qemu-system-aarch64` command given above:

```
/root/qemu-4.2/bin/qemu-system-aarch64 -smp $VM_CORES -m $VM_MEM -mem-path /
dev/hugepages
-cpu host -machine type=virt,gic-version=3 -kernel $KERNEL_IMG -enable-kvm -
display none
-serial tcp::$GUEST_CONSOLE_TELNET_PORT,server,telnet -drive
if=none,file=$ROOTFS_IMG,id=foo,format=raw -device virtio-blk-
device,drive=foo -append
'root=/dev/vda rw console=ttyAMA0 rootwait earlyprintk isolcpus=1' -monitor
stdio
-device vfio-fsl-mc,host=dprc.2 -S
```

Note: Make sure to specify the appropriate number of cores for the guest VM. It should match the number of dpio objects that are created. Also, make sure that the `/mnt/hugetlbfs` folder exists and is mounted when starting the QEMU.

Following logs appear on the host UART console:

```
QEMU 4.2.0 monitor - type 'help' for more information
(qemu) qemu-system-aarch64: -serial tcp::4446,server,telnet: QEMU waiting for
connection on: disconnected:telnet::4446,server
```

3. Launch VM using:

```
telnet <Board ip addr> <GUEST_CONSOLE_TELNET_PORT>
```

For example, `telnet localhost 4446`

Ensure to assign each `vcpu` thread to one physical CPU only.

Get the VM thread IDs entering QEMU shell.

```
(qemu) info cpus
* CPU #0: thread_id=7211
CPU #1: (halted) thread_id=7212
```

Assign one `vcpu` thread to one core only. Also, apart from the first `vcpu` thread put all other threads in `chrt` priority for performance.

```
$ taskset -p 0x1 7211
pid 7211's current affinity mask: ff
pid 7211's new affinity mask: 1
$ taskset -p 0x2 7212
pid 7212's current affinity mask: ff
pid 7212's new affinity mask: 2
$ chrt -p 90 7212
```

Start the `vcpu` threads:

```
(qemu) c
```

8.2.6.2 Accessing the virtual machine console

```
user@ls2088ardb:~# telnet localhost 4446
```

Execute the following commands:

```
echo 1000 > /proc/sys/vm/nr_hugepages
# child DPRC container for VM guest userspace
export DPRC=dprc.3
echo 1 > /sys/module/vfio/parameters/enable_unsafe_noiommu_mode
echo vfio-fsl-mc > /sys/bus/fsl-mc/devices/$DPRC/driver_override
echo $DPRC > /sys/bus/fsl-mc/drivers/vfio-fsl-mc/bind
```

The Host *core-index* which is used as First Physical core in VM should be used as `DPAA2_HOST_START_CPU` to run DPDK application. Where, *core-index* range is [0-7] for a 8 core platform.

For example, if you are running VM with two cores and Host core #4 and core #5 are given to VM, then the first physical core for VM is core#4. Therefore, you must set the `START CPU core` as follows:

```
export DPAA2_HOST_START_CPU=4
```

Setup Hugepages

```
echo hugetlbfs /dev/hugepages hugetlbfs defaults,mode=0777 0 0 >> /etc/fstab
mkdir /dev/hugepages
mount /dev/hugepages
```

Configure the host connection for SCP, ssh, and file transfer.

```
ifconfig eth1 192.168.2.1
```

8.2.6.3 Running DPDK applications with direct device assignments

All the DPAA2 based dpdk application will work in VM similar to the host, but they need to be compiled after enabling `RTE_LIBRTE_DPAA2_USE_PHYS_IOVA` flag in meson build file `config/arm/meson.build`.

If the dpdk example applications are not present, you can bring them via `scp/tftp` using the `eth1` interface.

Note: Using Core 0 for DPDK application can lead to non-deterministic behavior, including drop in performance. It is recommended that DPDK application core mask values avoid using Core 0.

Refer to some example test commands given below:

- #one core VM (core #0 for dpdk)

```
dpdk-l3fwd -c 0x1 -n 1 --log-level=bus.fslmc,8 -- -p 0x1 -P --config="(0,0,0)"
dpdk-l2fwd-crypto -c 0x1 -n 1 --log-level=bus.fslmc,8 -- -p 0x1 -q 1 --chain
HASH_ONLY
--auth_algo sha2-256-hmac --auth_op GENERATE --auth_key_random_size 64
```

- #two core VM (core #1 for DPDK)

```
dpdk-l3fwd -c 0x2 -n 1 -- -p 0x1 -P --config="(0,0,1)"
dpdk-l3fwd -c 0x2 -n 1 -- -p 0x3 -P --config="(0,0,1), (1,0,1)"
dpdk-testpmd -c 0x3 -n 1 -- -i --portmask=0x3 --nb-cores=1 --forward-
mode=txonly
```

8.2.7 DPDK on Docker

8.2.7.1 Docker Overview

Docker provides an environment for a given image, over which any user space application can be executed. An image must contain/expose all the tools which are required to run any application.

For more information on Docker, see <https://docs.docker.com/engine/userguide/>.

8.2.7.2 DPAA1-Platform

8.2.7.2.1 Running Docker Container on DPAA1

To execute Docker, make sure you have completed the following prerequisites:

1. The Docker daemon must be running. If not, follow the instructions given at the link below to execute the daemon.

<https://docs.docker.com/engine/docker-overview/>

2. The Docker tool must be installed, which will be working as the client to run the Docker container.

Download the required image, which should be run as an environment. Use the command below to get generic prebuilt images:

```
docker pull ubuntu:latest # Command template is 'docker pull
<distribution>:<tag>'
```

All downloaded images can be verified using the command below:

```
docker images
```

Once images are downloaded, the Docker container can be started using the steps below. Below commands will execute a docker container named as **docker0**:

```
docker run --privileged --interactive --env LD_LIBRARY_PATH=/usr/lib --
name=docker0 --hostname=docker0 --detach --volume=/usr:/usr --volume=/sys:/sys
--volume=/dev:/dev ubuntu:latest
```

Arguments provided to the command above have been explained below:

```
--privileged # It provides privilege to docker container to access host
completely
```



```
--interactive # Docker container will be running state
--env LD_LIBRARY_PATH=/usr/lib # Exporting host environment variable to docker
container*/
--name=docker0 --hostname=docker0 # User defined name to docker container
--detach # container will be detached once it is launched and host prompt will
be available for use
--volume=/XXX:/YYY # Exporting host partitions /XXX to docker container's mount
point /YYY
```

Finally, following command attaches to the docker console which was run in previous command:

```
docker exec -it docker0 bash
```

8.2.7.2.2 Running the DPDK Application

Once Docker is launched and connected, then execute the DPDK application by running the respective command. The command below is a sample to run `dpdk-l3fwd`:

```
dpdk-l3fwd -c 0x0C -n 1 - -p 0x30 --config="(4,0,2),(5,0,3)" -P
```

Note: Make sure `fmc -x` is run on the host and FMC is not configured for DPDK as with docker only `fmcless` mode is supported.

8.2.7.3 DPAA2-Platform

8.2.7.3.1 Traffic Multiplexer/De-Multiplexer

On the DPAA2 architecture, the MC provides various methods by which incoming traffic can be split of over the multiple DPNI. The sections below provide more information.

8.2.7.3.1.1 Using DPDMUX

MC provides an object (DPDMUX) which splits incoming traffic over the multiple DPNI based on following parameters:

1. MAC based classification
2. VLAN based classification
3. MAC + VLAN based classification
4. User defined key based classification.

DPDMUX has its own filter table which consists of default filtering rules. Default filtering rules are a combination of MAC address configured on DPNI and port information as a destination. Once the DPDMUX object is connected to a given DPNI, then the entry for a particular DPNI will be added to the filtering table. All incoming default traffic will be distributed based on the destination MAC address in the packet. You may add more entries to the filtering table as per your requirement.

The diagram below shows a sample use case for DPDMUX and associated links for a single DPMAC object. It can be extended up-to a maximum number of DPMACs, each having its own DPDMUX object.

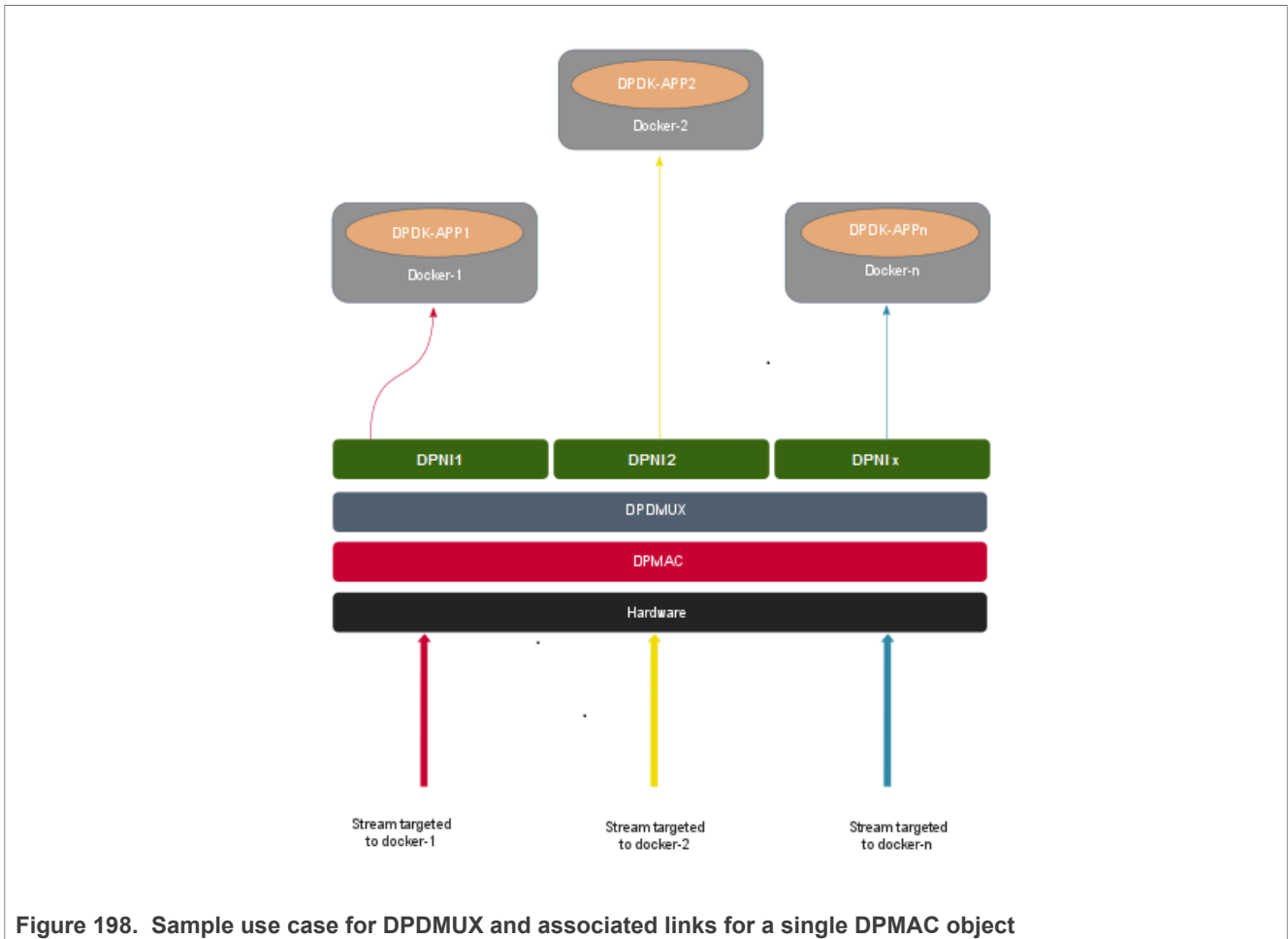


Figure 198. Sample use case for DPDMUX and associated links for a single DPMAC object

8.2.7.3.1.2 Using DPSW

MC also provides another object (DPSW) which internally implements DPAA2 H/W Switch. This Switch instance can also be used for traffic forwarding to multiple hosts. On LS2088, there is only once instance of DPSW that can be created and required ports will be connected to the same DPSW instance.

DPSW has its own filter table which populates dynamically with source MAC address and port on which packet is received. Default incoming traffic is flooded to all ports except ingress port and filtering rules are learned into filtering table. After learning, same packets are forwarded to the destined port only.

Below diagram shows a sample use case for DPSW and associated links for single DPMAC object. It can be extended up-to maximum number of DPMACs with same DPSW instance.

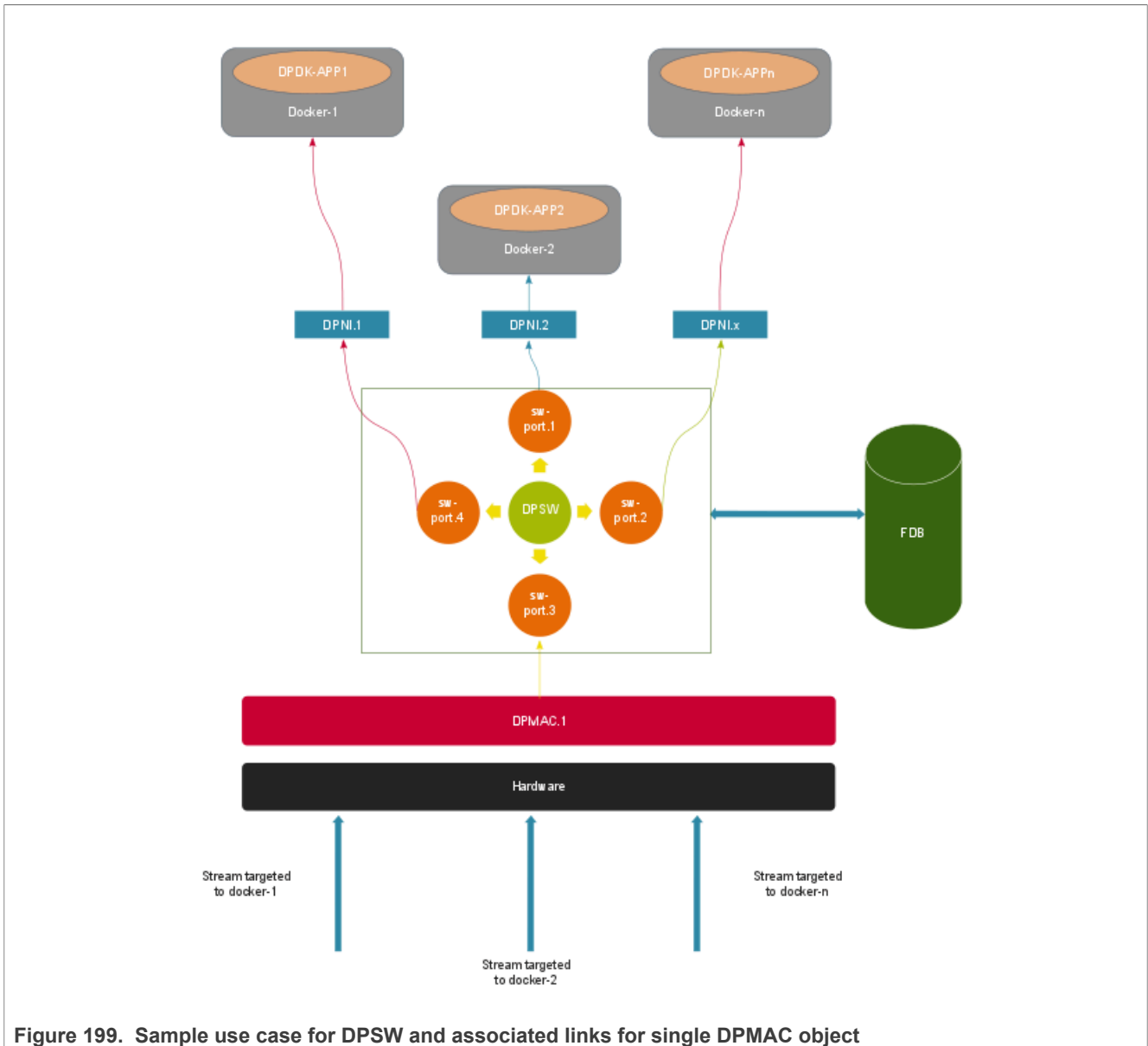


Figure 199. Sample use case for DPSW and associated links for single DPMAC object

8.2.7.3.2 Single Docker Instance - Container Configuration (DPDMUX/DPSW)

For each Docker instance, a [DPRC](#) must be created containing DPAA2 hardware blocks necessary for the Docker container.

A helper script `dynamic_dpl.sh`, part of the Layerscape LDP rootfs, can be used for creating such DPRC. For example, following command snippet creates a DPRC containing 8 DPNI objects (logical network interfaces) which are not backed by any physical link (DPMAC) and have MAC addresses starting from `00:00:00:00:05:00`. For more details about creating DPRC, see [Section 7.3.2.1.1](#).

Set the following environment variable which would be used by the `dynamic_dpl.sh` script:

```
export MAX_QOS=16
export DPNI_NORMAL_BUF=1 # This is optional
```

Execute the `dynamic_dpl.sh` script:

```
/usr/share/dpdk/dpaa2/dynamic_dpl.sh dpni dpni dpni dpni dpni dpni dpni dpni -b
00:00:00:00:05:00
```

The output of the above command would be similar to:

```
##### Container dprc.2 is created #####
Container dprc.2 have following resources :=>
* 16 DPBP
* 8 DPCON
* 8 DPSECI
* 8 DPNI
* 10 DPIO
* 2 DPCI
##### Configured Interfaces #####
Interface Name      Endpoint           Mac Address
=====
dpni.1             UNCONNECTED      00:00:00:00:05:01
dpni.2             UNCONNECTED      00:00:00:00:05:02
dpni.3             UNCONNECTED      00:00:00:00:05:03
dpni.4             UNCONNECTED      00:00:00:00:05:04
dpni.5             UNCONNECTED      00:00:00:00:05:05
dpni.6             UNCONNECTED      00:00:00:00:05:06
dpni.7             UNCONNECTED      00:00:00:00:05:07
dpni.8             UNCONNECTED      00:00:00:00:05:08
```

Each such DPRC would be assigned to a Docker container. Thus, multiple such DPRC would have to be created as per the use case and Docker instances required for it.

Note: Resources available on a DPAA2 system are limited and assigning them to DPRC can result in error if requested resources are not available. For the above script output, if the script doesn't return any error and all the DPNI's have different MAC addresses, result can be considered successful. In case of error or failure to assign MAC addresses, resource assignment to the DPRCs need to be restructured.

Hereafter, based on whether DPDMUX or DPSW is being used, one of the below configuration is applicable:

8.2.7.3.2.1 Configuration using DPDMUX

Create DPDMUX objects with total number of required links that is, downlinks and uplinks both. Here `dpdmux.0` object is created

```
restool dpdmux create --num-ifs=3 --method DPDMUX_METHOD_MAC --max-dmat-
entries=8 --max-mc-groups=8 --manip=DPDMUX_MANIP_NONE
```

Connecting downlinks and uplinks with above created DPDMUX:

```
restool dprc connect dprc.1 --endpoint1=dpmac.x --endpoint2=dpdmux.0.0
restool dprc connect dprc.1 --endpoint1=dpni.y --endpoint2=dpdmux.0.1
restool dprc connect dprc.1 --endpoint1=dpni.z --endpoint2=dpdmux.0.2
```

Where, *x*, *y* and *z* are object indices created in resource containers.

8.2.7.3.2.2 Configuration using DPSW

Create DPSW object with total number of required links that is, downlinks and uplinks both. Here dpsw.0 object is created:

```
restool dpsw create --num-ifs=3
```

Connecting downlinks and uplinks with above created DPSW:

```
restool dprc connect dprc.1 --endpoint1=dpmac.x --endpoint2=dpsw.0.0
restool dprc connect dprc.1 --endpoint1=dpni.y --endpoint2=dpsw.0.1
restool dprc connect dprc.1 --endpoint1=dpni.z --endpoint2=dpsw.0.2
```

Where, x, y and z are object indices created in resource containers.

8.2.7.3.3 Running Docker Container on DPAA2

Based on the explanation provided in the [Section 8.2.7.2.1](#) the command is:

```
docker pull ubuntu:latest
export DPRC="dprc.<index>"
export VFIO_NO=`readlink /sys/bus/fsl-mc/devices/$DPRC/iommu_group | xargs
  basename `
docker run --privileged --interactive --env DPRC=$DPRC --device=/dev/vfio/vfio:/
dev/vfio/vfio --device=/dev/vfio/$VFIO_NO:/dev/vfio/$VFIO_NO --name=docker0 --
hostname=docker0 --detach --volume=/usr:/usr --volume=/sys:/sys --volume=/dev:/
dev ubuntu:latest
docker exec -it docker0 bash
```

The following is the explanation for arguments that are not applicable for DPAA (specified in the above commands):

```
export DPRC="dprc.<index>" # Where <index> is the DPRC container number created
  by dynamic_dpl.sh execution
```

```
--device=/XXX:/YYY # Exporting host device /XXX to docker container device /YYY
```

8.2.7.3.4 Running the DPDK Application

Once Docker is launched and connected, then execute the DPDK application by running the respective command. The command below is a sample to run `dpdk-l3fwd`:

```
dpdk-l3fwd -c 0xFF -n 4 -- -p 0xFF -P --config="(0,0,0), (1,0,1), (2,0,2), (3,0,3),
(4,0,4), (5,0,5), (6,0,6), (7,0,7)" -P
```

8.2.7.3.5 Example Configuration for 2 Docker Instances: Using DPDMUX

Common Container settings:

```
export MAX_QOS=8
export DPNI_NORMAL_BUF=1
```

Create container for docker0:

```
./dynamic_dpl.sh dpni dpni dpni dpni dpni dpni dpni dpni -b 00:00:00:00:05:00
##### Container dprc.2 is created #####
Container dprc.2 have following resources :=>
* 16 DPBP
* 8 DPCON
* 8 DPSECI
* 8 DPNI
* 10 DPIO
* 2 DPCI
##### Configured Interfaces #####
Interface Name      Endpoint           Mac Address
=====
dpni.1              UNCONNECTED       00:00:00:00:05:01
dpni.2              UNCONNECTED       00:00:00:00:05:02
dpni.3              UNCONNECTED       00:00:00:00:05:03
dpni.4              UNCONNECTED       00:00:00:00:05:04
dpni.5              UNCONNECTED       00:00:00:00:05:05
dpni.6              UNCONNECTED       00:00:00:00:05:06
dpni.7              UNCONNECTED       00:00:00:00:05:07
dpni.8              UNCONNECTED       00:00:00:00:05:08
```

Create container for docker1:

```
./dynamic_dpl.sh dpni dpni dpni dpni dpni dpni dpni dpni -b 00:00:00:00:05:08
##### Container dprc.3 is created #####
Container dprc.3 have following resources :=>
* 16 DPBP
* 8 DPCON
* 8 DPSECI
* 8 DPNI
* 10 DPIO
* 2 DPCI
##### Configured Interfaces #####
Interface Name      Endpoint           Mac Address
=====
dpni.9              UNCONNECTED       00:00:00:00:05:09
dpni.10             UNCONNECTED       00:00:00:00:05:0a
dpni.11             UNCONNECTED       00:00:00:00:05:0b
dpni.12             UNCONNECTED       00:00:00:00:05:0c
dpni.13             UNCONNECTED       00:00:00:00:05:0d
dpni.14             UNCONNECTED       00:00:00:00:05:0e
dpni.15             UNCONNECTED       00:00:00:00:05:0f
dpni.16             UNCONNECTED       00:00:00:00:05:10
```

Create DPDMUX objects with downlinks and uplinks

```
restool dpdmux create --num-ifs=2 --method DPDMUX_METHOD_MAC --max-dmat-
entries=8 --max-mc-groups=8 --manip=DPDMUX_MANIP_NONE
restool dpdmux create --num-ifs=2 --method DPDMUX_METHOD_MAC --max-dmat-
entries=8 --max-mc-groups=8 --manip=DPDMUX_MANIP_NONE
restool dpdmux create --num-ifs=2 --method DPDMUX_METHOD_MAC --max-dmat-
entries=8 --max-mc-groups=8 --manip=DPDMUX_MANIP_NONE
restool dpdmux create --num-ifs=2 --method DPDMUX_METHOD_MAC --max-dmat-
entries=8 --max-mc-groups=8 --manip=DPDMUX_MANIP_NONE
```

Create uplink connections

```
restool dprc connect dprc.1 --endpoint1=dpdmux.0.0 --endpoint2=dpmac.1
restool dprc connect dprc.1 --endpoint1=dpdmux.1.0 --endpoint2=dpmac.2
restool dprc connect dprc.1 --endpoint1=dpdmux.2.0 --endpoint2=dpmac.3
restool dprc connect dprc.1 --endpoint1=dpdmux.3.0 --endpoint2=dpmac.4
```

Create downlink connections for docker0

```
restool dprc connect dprc.1 --endpoint1=dpni.1 --endpoint2=dpdmux.0.1
restool dprc connect dprc.1 --endpoint1=dpni.2 --endpoint2=dpdmux.1.1
restool dprc connect dprc.1 --endpoint1=dpni.3 --endpoint2=dpdmux.2.1
restool dprc connect dprc.1 --endpoint1=dpni.4 --endpoint2=dpdmux.3.1
```

Create downlink connections for docker1

```
restool dprc connect dprc.1 --endpoint1=dpni.5 --endpoint2=dpdmux.0.2
restool dprc connect dprc.1 --endpoint1=dpni.6 --endpoint2=dpdmux.1.2
restool dprc connect dprc.1 --endpoint1=dpni.7 --endpoint2=dpdmux.2.2
restool dprc connect dprc.1 --endpoint1=dpni.8 --endpoint2=dpdmux.3.2
```

Note: The above commands are for 1G test. In case 10G port is to be used append the above commands to create uplink and downlink with `--committed-rate=10000 --max-rate=10000`.

Running DPDK L2fwd on docker0

```
export DPRC="dprc.2"
export VFIO_NO=`readlink /sys/bus/fsl-mc/devices/$DPRC/iommu_group | xargs
  basename`
docker run --privileged --interactive --env DPRC=$DPRC --env LD_LIBRARY_PATH=/
usr/lib --device=/dev/vfio/vfio:/dev/vfio/vfio --device=/dev/vfio/$VFIO_NO:/dev/
vfio/$VFIO_NO --name=docker0 --hostname=docker0 --detach --volume=/usr:/usr --
volume=/sys:/sys --volume=/dev:/dev ubuntu:latest
docker exec -it docker0 bash
l2fwd -c 0xF0 -n 1 --file-prefix=docker0 --socket-mem=2048 -- -p 0x0F -q 1
```

Running DPDK L2fwd on docker1

```
export DPRC="dprc.3"
export VFIO_NO=`readlink /sys/bus/fsl-mc/devices/$DPRC/iommu_group | xargs
  basename`
docker run --privileged --interactive --env DPRC=$DPRC --env LD_LIBRARY_PATH=/
usr/lib --device=/dev/vfio/vfio:/dev/vfio/vfio --device=/dev/vfio/$VFIO_NO:/dev/
vfio/$VFIO_NO --name=docker1 --hostname=docker1 --detach --volume=/usr:/usr --
volume=/sys:/sys --volume=/dev:/dev ubuntu:latest
docker exec -it docker1 bash
l2fwd -c 0xF0 -n 1 --file-prefix=docker1 --socket-mem=2048 -- -p 0x0F -q 1
```

Note: The above set of commands is for reference on LS2088A. On LS1088 DPDMUX object supports up to 4 downlinks (dpni's). These can be assigned to a docker instance as per requirement. For example, one use case would assign two dpni's in each of the two docker container instances however other use case would be to assign one dpni to each of four docker instances.

8.2.7.3.6 Example Configuration for 2 Docker Instances: Using DPSW

Common Container settings:

```
export MAX_QOS=8
export DPNI_NORMAL_BUF=1
```

Create container for docker0:

```
./dynamic_dpl.sh dpni -b 00:00:00:00:05:00
##### Container dprc.2 is created #####
Container dprc.2 have following resources :=>
* 16 DPBP
* 8 DPCON
* 8 DPSECI
* 1 DPNI
* 10 DPIO
* 2 DPCI
##### Configured Interfaces #####
Interface Name      Endpoint           Mac Address
=====
dpni.1              UNCONNECTED       00:00:00:00:05:01
```

Create container for docker1:

```
./dynamic_dpl.sh dpni -b 00:00:00:00:05:01
##### Container dprc.3 is created #####
Container dprc.3 have following resources :=>
* 16 DPBP
* 8 DPCON
* 8 DPSECI
* 1 DPNI
* 10 DPIO
* 2 DPCI
##### Configured Interfaces #####
Interface Name      Endpoint           Mac Address
=====
dpni.2              UNCONNECTED       00:00:00:00:05:02
```

Create DPSW objects

```
restool dpsw create --num-ifs=3
restool dprc connect dprc.1 --endpoint1=dpsw.0.0 --endpoint2=dpmac.1
```

Create downlink connections for docker0

```
restool dprc connect dprc.1 --endpoint1=dpni.1 --endpoint2=dpsw.0.1
```

Create downlink connections for docker1

```
restool dprc connect dprc.1 --endpoint1=dpni.2 --endpoint2=dpsw.0.2
```

Running DPDK L2fwd on docker0

```
export DPRC="dprc.2"
export VFIO_NO=`readlink /sys/bus/fsl-mc/devices/$DPRC/iommu_group | xargs
basename`
```



```
docker run --privileged --interactive --env DPRC=$DPRC --env LD_LIBRARY_PATH=/usr/lib --device=/dev/vfio/vfio:/dev/vfio/vfio --device=/dev/vfio/$VFIO_NO:/dev/vfio/$VFIO_NO --name=docker0 --hostname=docker0 --detach --volume=/usr:/usr --volume=/sys:/sys --volume=/dev:/dev ubuntu:18.04
docker exec -it docker0 bash
cd /usr/bin
dpdk-l2fwd -c 0x04 -n 1 --file-prefix=docker0 --socket-mem=2048 -- -p 0x01 -q 1
```

Running DPDK L2fwd on docker1

```
export DPRC="dprc.3"
export VFIO_NO=`readlink /sys/bus/fsl-mc/devices/$DPRC/iommu_group | xargs basename`
docker run --privileged --interactive --env DPRC=$DPRC --env LD_LIBRARY_PATH=/usr/lib --device=/dev/vfio/vfio:/dev/vfio/vfio --device=/dev/vfio/$VFIO_NO:/dev/vfio/$VFIO_NO --name=docker1 --hostname=docker1 --detach --volume=/usr:/usr --volume=/sys:/sys --volume=/dev:/dev ubuntu:18.04
docker exec -it docker1 bash
cd /usr/bin
dpdk-l2fwd -c 0x08 -n 1 --file-prefix=docker1 --socket-mem=2048 -- -p 0x01 -q 1
```

Note: The above commands are for LX2160 and LS2088A. LS1088A doesn't support DPSW object.

8.2.8 DPDK DPAA2 flow control

To control the DPDK DPAA2 packets flow, prepare the soft parser image in the host and then test the flow control using the testpmd application.

Note: For more information about the DPAA2 flow control, contact your local NXP field applications engineer (FAE) or sales representative.

Figure 200 shows flow control in DPDK DPAA2

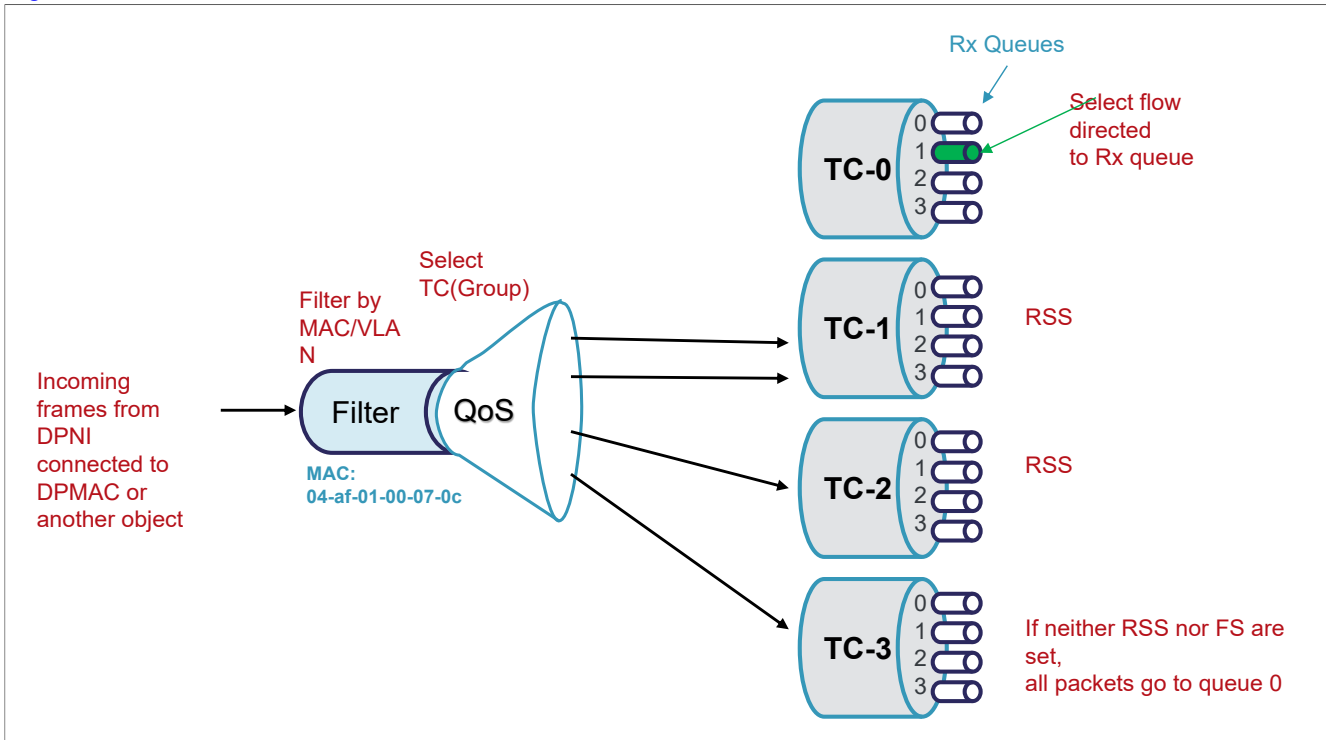


Figure 200. DPDK DPAA2 flow control

8.2.8.1 Preparing soft parser image

The default flow distribution of DPDK DPAA2 is RSS on TC0.

Note:

- `export DPAA2_FLOW_CONTROL_LOG=1` is used to check extracts and rules.
- The default missed action of flow control is to drop the packets.
- `export DPAA2_FLOW_CONTROL_MISS_FLOW=flow_id` is used to receive missed packets from flow with flow ID specified.
- To support vxlan, eCPRI and ROCEV2 flows, the soft parser image should be preloaded in `u-boot`.

To prepare the soft parser image and load it in to `u-boot`, perform the following steps:

1. To generate the soft parser image in the host and identify the evolved Common Public Radio Interface (eCPRI) protocol, run the following commands:

```
//Build generator tool in nxp/dpaa2:
gcc gen_sp_blob.c -o gen_sp_blob

//Generate soft parser image(sp.blob):
./gen_sp_blob -o sp.blob

//Default destination port of UDP followed by eCPRI is 0x1234,
//define new value by option: "--ecpri-port" or "-p":
//Example to generate soft parser image(sp.blob) to identify udp/eCPRI by udp
destination port 0x5678:
./gen_sp_blob -p 0x5678 -o sp.blob
```

2. To load the generated soft parser image `sp.blob` in to the hardware in `u-boot`, run the following commands:

```
=> tftp 0xac000000 sp.blob
=> fsl_mc apply spb 0xac000000
```

8.2.8.2 Testing flow control in testpmd

To test the DPDK flow control in the `testpmd` mode, run the following commands:

```
#Create dpni with 8 TCs, each TC has maximum 8 queues and 8 flow steering
entries.
export MAX_QUEUES=8
export FS_ENTRIES=8
export MAX_TCS=8
source dynamic_dpl.sh dpmac.x

#Start dpdk-testpmd with 16 RXQs and 2 TXQs, RXQ0~RXQ7 are in TC0 and rest RXQs
are in TC1..
./dpdk-testpmd --lcores='0,1,2,3,4@0' --main-lcore 0 -n 1 -- -i --nb-
cores=4 --portmask=0x1 --nb-ports=1 --forward-mode=io --rxq=16 --txq=2
```

8.2.8.2.1 Testing ingress traffic

To test the same ingress traffic with multiple flows in TC0, run the following commands:

```
#IPv4/UDP packets go to RXQ4, this flow is top priority.
testpmd> flow create 0 group 0 priority 0 ingress pattern ipv4 / udp / end
actions queue index 4 / end
```

```

#IPv4 packets whose source IP address is 10.10.10.3 go to RXQ0, this flow is
middle priority.
testpmd> flow create 0 group 0 priority 1 ingress pattern ipv4 src is
10.10.10.3 / end actions queue index 1 / end
#Ethernet packets whose source mac address is 11:22:33:44:55:66 go to RXQ2,
this flow is lowest priority.
testpmd> flow create 0 group 0 priority 2 ingress pattern eth src is
11:22:33:44:55:66 / end actions queue index 2 / end
#Start the port
testpmd> start

#Inject the IPv4/UDP packets with 10.10.10.3 source IP and 11:22:33:44:55:66
source mac.
#Check the packet goes to the expected queue(RXQ4) by stop command.
testpmd> stop
#Remove the top priority flow and inject the same packet above.
testpmd> flow destroy 0 rule 0
testpmd> start
#Check the packet go to the expected queue(RXQ1) by stop command.
testpmd> stop
#Remove the middle priority flow and inject the same packet above.
testpmd> flow destroy 0 rule 1
testpmd> start
#Check the packet goes to the expected queue(RXQ2) by stop command.
testpmd> stop
testpmd> flow destroy 0 rule 2

```

8.2.8.2.2 Testing flow with RAW and standard protocols

To test the flow with RAW, combined with standard protocols, run the following commands:

```

#Create flow with 11:22:33:44:55:66 ethernet source address and pattern
0xbbbbbbbbbb located at offset 42.
testpmd> flow create 0 group 0 priority 2 ingress pattern eth src is
11:22:33:44:55:66 / raw relative is 0 search is 0 offset is 42 limit is 0
pattern_hex spec bbbbbbbb pattern_hex mask ffffffff / end actions queue index
1 / end
testpmd> start
#Inject UDP packet with 11:22:33:44:55:66 ETH src and 10.10.10.3 IP src and
0xbbbbbbbbbb user data following UDP header.
#Check the packet goes to the expected queue(RXQ1) by stop command.
testpmd> stop

#Create generic IPV4 raw flow with 10.10.10.3 IPV4 source address, extract
from offset 26.
testpmd> flow create 0 group 0 priority 1 ingress pattern raw relative is 0
search is 0 offset is 26 limit is 0 pattern_hex spec 0a0a0a03 pattern_hex mask
fffffff / end actions queue index 2 / end
testpmd> start
#Inject same packet as above.
#Check the packet goes to the expected queue(RXQ2) by stop command.
testpmd> stop

#Create vlan IPV4 raw flow with 10.10.10.3 IPV4 source address, extract from
offset 12.
testpmd> flow create 0 group 0 priority 0 ingress pattern raw relative is
0 search is 0 offset is 12 limit is 0 pattern_hex spec 8100 pattern_hex mask
ffff / end actions queue index 3 / end
testpmd> start

```

```
#Inject vlan IPV4 packet with 10.10.10.3 IP src.
#Check the packet goes to the expected queue(RXQ3) by stop command.
testpmd> stop
testpmd> flow destroy 0 rule 0
testpmd> flow destroy 0 rule 1
testpmd> flow destroy 0 rule 2
```

8.2.8.2.3 Testing VXLAN flows

The soft parser extracts the Virtual eXtensible Local-Area Network (VXLAN) fields to identify the VXLAN traffic.

To test the VXLAN flows with soft parser, run the following commands:

```
#Create multiple types of vXLan flow whose vni is 2.
testpmd> flow create 0 group 0 priority 0 ingress pattern vxlan vni is 2 /
end actions pf / queue index 2 / end
testpmd> flow create 0 group 0 priority 1 ingress pattern ipv4 dst is
10.10.10.4 / vxlan vni is 2 / eth dst is 01:02:03:04:05:06 / end actions pf /
queue index 3 / end
testpmd> start
#Inject vxlan packet whose outer IPv4 dst address is 10.10.10.4, vni is 2 and
inner ethernet dst address is 01:02:03:04:05:06.
#Check if the packet goes to the expected queue(RXQ2) by stop command.
testpmd> stop
#Remove the higher priority flow:
testpmd> flow destroy 0 rule 0
testpmd> start
#Inject above packet again and check if the packet goes to the expected
queue(RXQ3) by stop command.
testpmd> stop
testpmd> flow destroy 0 rule 1
```

8.2.8.2.4 Testing eCPRI flow

The soft parser extracts eCPRI fields to identify the eCPRI traffic.

To test the eCPRI flow with soft parser, run the following commands:

```
#Create ecpri flow whose message type is I/Q data and physical channel is
0x000a.
testpmd> flow create 0 group 0 priority 0 ingress pattern ecpri common type
iq_data pc_id is 0x000a / end actions queue index 3 / end
#Inject ecpri over ethernet packet whose message type is I/Q data and physical
channel is 0x000a.
#Inject ecpri over vlan packet whose message type is I/Q data and physical
channel is 0x000a.
#Inject ecpri over udp packet whose message type is I/Q data and physical
channel is 0x000a. The UDP dst port is identical to the number specified by soft
parser generator.
#Check if all these packets go to the expected queue(RXQ3) by stop command.
testpmd> stop
testpmd> flow destroy 0 rule 0
```

8.2.8.2.5 Testing ROCEv2 flow

The soft parser extracts ROCEv2 fields to identify the ROCEv2 traffic.

To test the ROCEv2 flow with soft parser, run the following commands:

```
#Create ROCEv2 flow whose pair queue ID is 0x123456.
testpmd> flow create 0 group 0 priority 1 ingress pattern rocev2 qp is
0x123456 / end actions queue index 3 / end
#Inject rocev2 over UDP whose pair queue ID is 0x123456.
#Check if all these packets go to the expected queue(RXQ3) by stop command.
testpmd> stop
testpmd> flow destroy 0 rule 0
```

8.2.8.2.6 Testing flow control on multiple TCs

To test the flow control on multiple TCs, run the following commands:

```
#Add flows into TC0 and TC1, TC0 has higher priority.
#IPv4/UDP packets go to RXQ4, this flow is top priority.
testpmd> flow create 0 group 0 priority 1 ingress pattern ipv4 / udp / end
actions queue index 4 / end
#IPv4 packets whose source IP address is 10.10.10.3 go to RXQ0, this flow
is middle priority.
testpmd> flow create 0 group 0 priority 2 ingress pattern ipv4 src is
10.10.10.3 / end actions queue index 1 / end
#Ethernet packets whose source mac address is 11:22:33:44:55:66 go to
RXQ2, this flow is lowest priority.
testpmd> flow create 0 group 1 priority 0 ingress pattern eth src is
11:22:33:44:55:66 / end actions queue index 12 / end
#Start the port
testpmd> start

#Inject the IPv4/UDP packet with 10.10.10.3 source IP and 11:22:33:44:55:66
source mac.
#Check the packet go to the expected queue(RXQ4) by stop command.
testpmd> stop
#Remove the top priority flow and inject the same packet above.
testpmd> flow destroy 0 rule 0
testpmd> start
#Check the packet goes to the expected queue(RXQ1) by stop command.
testpmd> stop
#Remove the middle priority flow and inject the same packet above.
testpmd> flow destroy 0 rule 1
testpmd> start
#Check the packet goes to the expected queue(RXQ12) by stop command.
testpmd> stop
#Remove the lowest priority flow and inject the same packet above.
testpmd> flow destroy 0 rule 2
testpmd> start
#Check the packet goes to the default queue(specified by
DPAA2_FLOW_CONTROL_MISS_FLOW) or dropped by stop command.
testpmd> stop
```

8.2.9 PCI Endpoint Framework

The NXP DPDK intelligent network interface card (iNIC) framework provides a basic level of functionality on which a flexible network solution can be built. It can support the growing demands in the intelligent network acceleration and application offload.

The iNIC framework includes the following components:

- iNIC card - LX21xx based board with a PCIe endpoint interface
- iNIC endpoint software - Deployed on the iNIC card includes iNIC and customer offload applications
- iNIC X86 software - Deployed on the X86 or Arm host and works with the iNIC card to provide the x86/ARM host the Ethernet interfaces by the kernel module, DPDK, or pktgen-DPDK

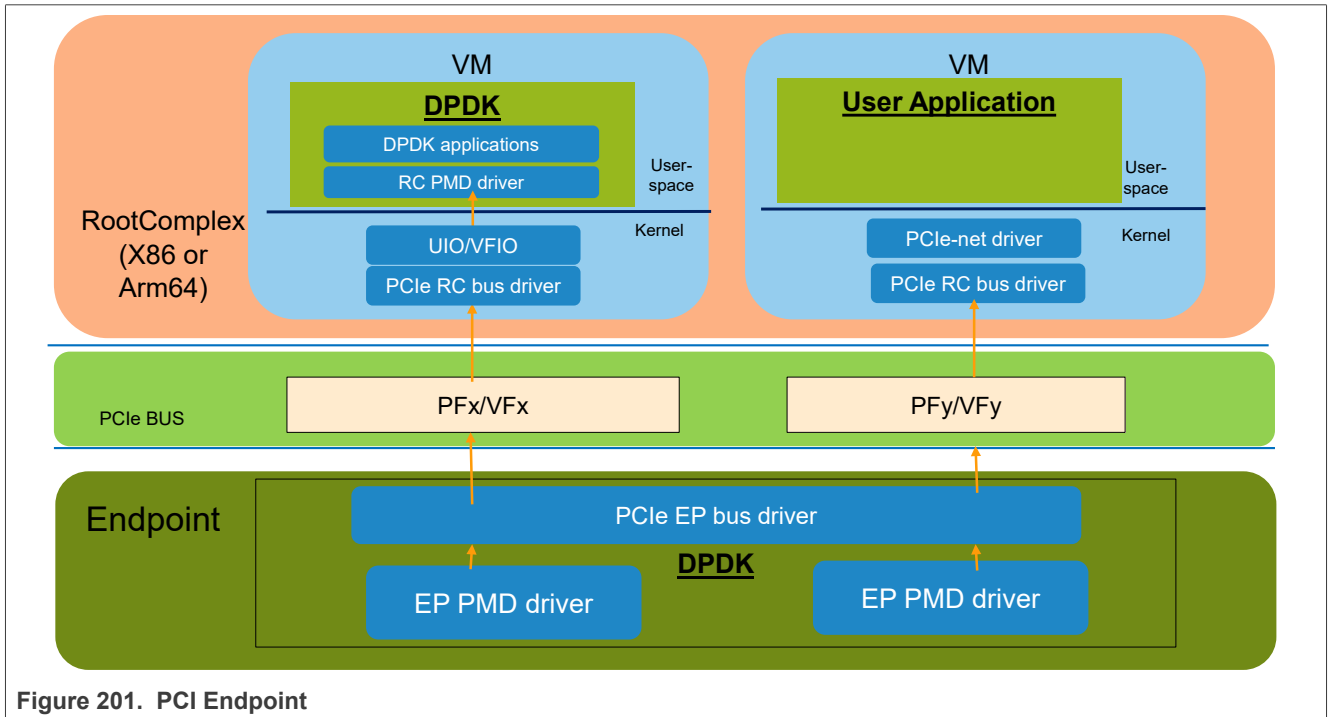


Figure 201. PCI Endpoint

8.2.9.1 PCIe EndPoint implementation in DPDK

The following figures describe the PCIe EndPoint implementation in DPDK.

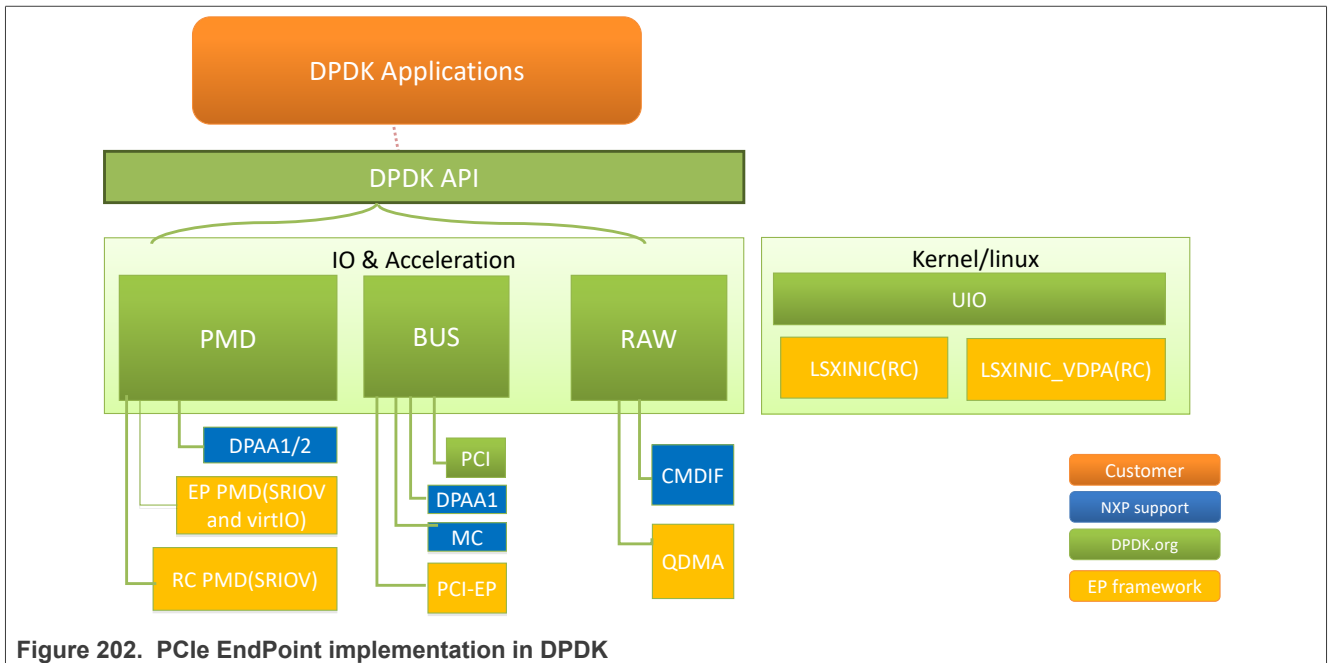


Figure 202. PCIe EndPoint implementation in DPDK

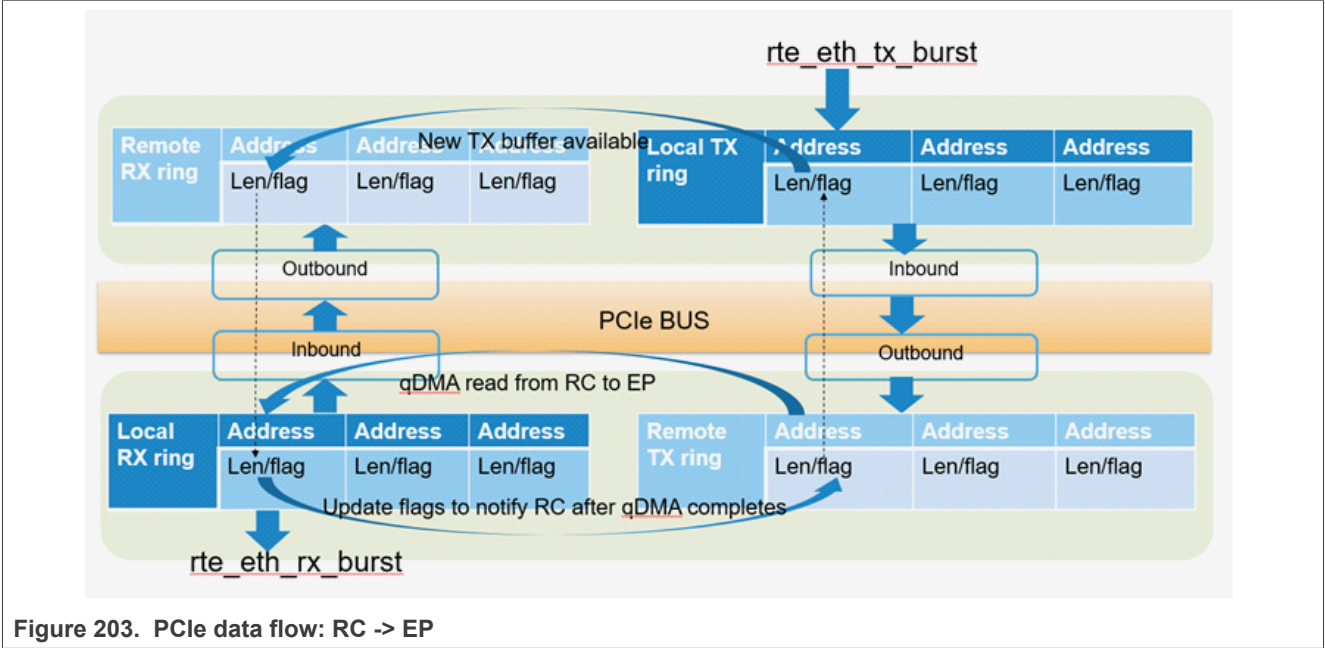


Figure 203. PCIe data flow: RC -> EP

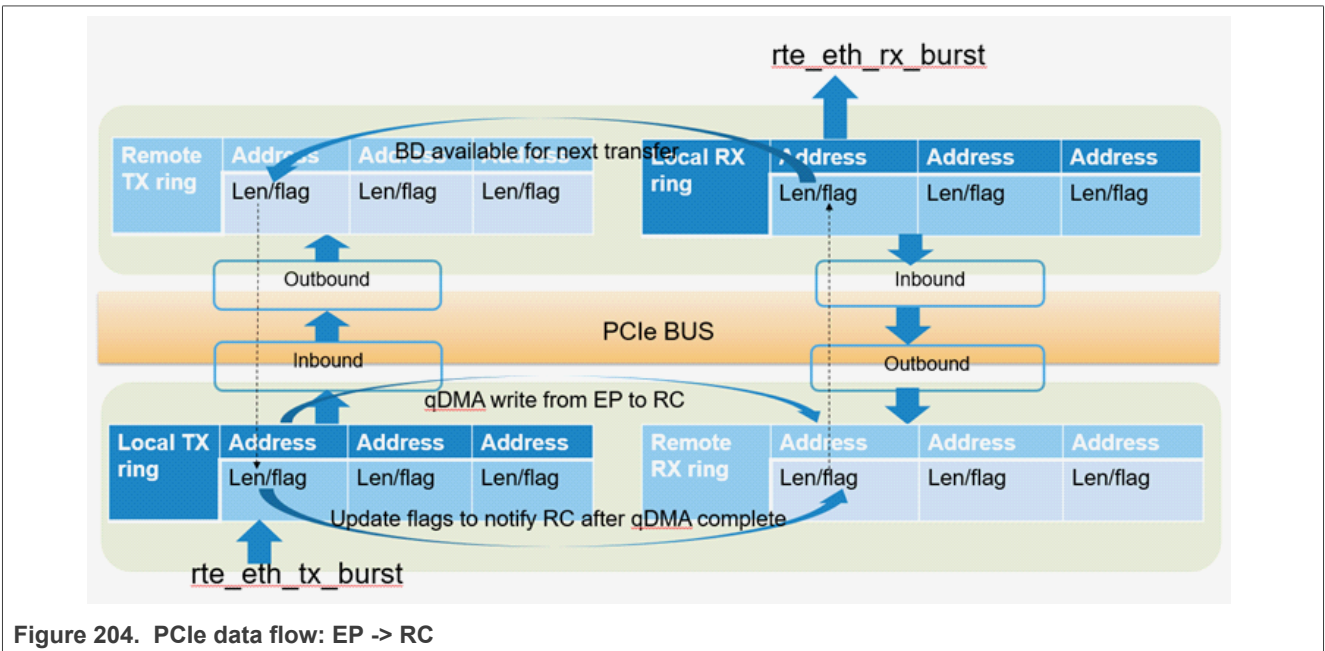


Figure 204. PCIe data flow: EP -> RC

8.2.9.2 DU offload example

The below figure shows the DU offload example.

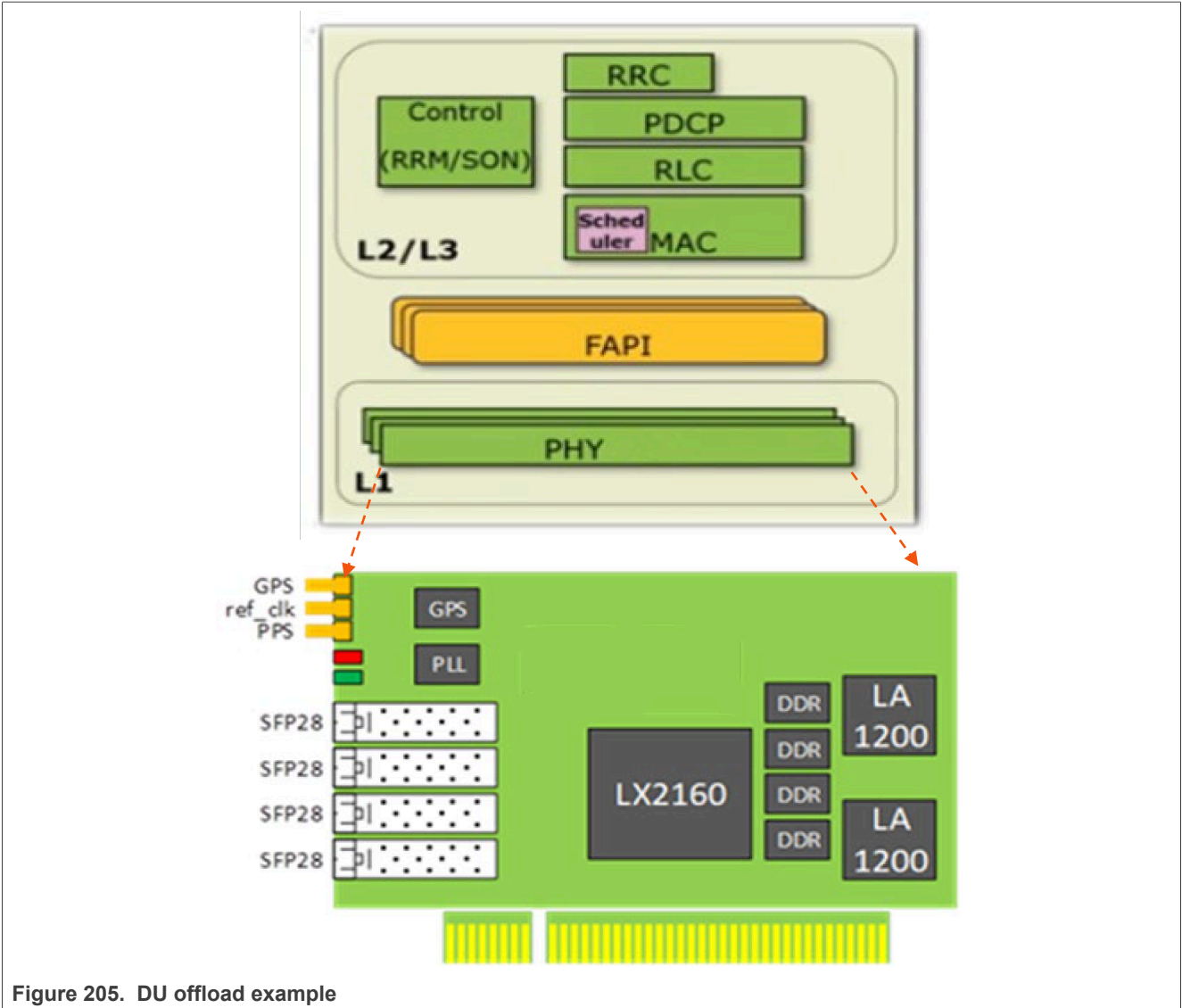


Figure 205. DU offload example

8.2.9.3 Usages

8.2.9.3.1 DPDK Endpoint build

```
export CROSS=aarch64-linux-gnu-  
meson arm64-build --cross-file config/arm/arm64_dpaa_linux_gcc -Dc_args="-  
Werror" -Dexamples=port_fwd -Dprefix=/Your/install/folder  
ninja -C arm64-build install  
#Target image:  
#Endpoint example image: "arm64-build/examples/dpdk-port_fwd".
```

8.2.9.3.2 DPDK Root Complex build

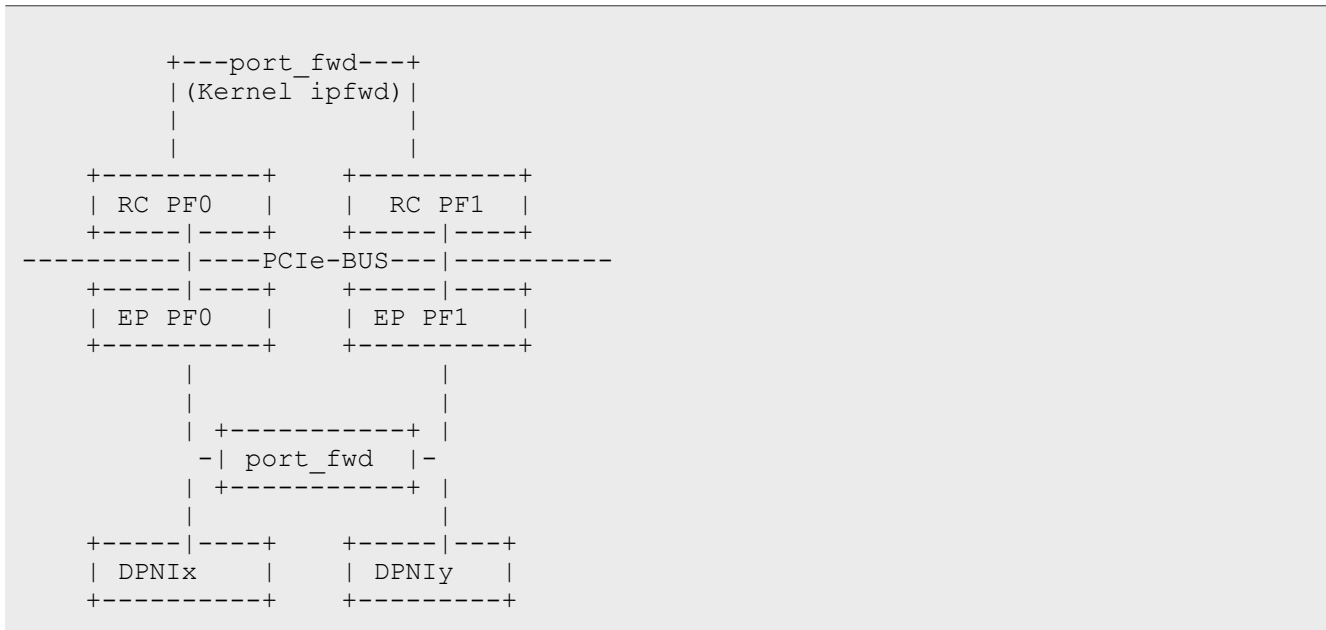
```
#X86_64:
```



```
meson x86_64-build -Denable_kmods=true -Dexamples=port_fwd -Dprefix=/Your/
install/folder
ninja -C x86_64-build install
#Target images:
#Root Complex kernel driver: "x86_64-build/kernel/linux/lxsinic/lxsinic_kmod.ko".
#Root Complex DPDK UIO driver: "x86_64-build/kernel/linux/igb_uio/igb_uio.ko".
#Root Complex DPDK image: "x86_64-build/examples/dpdk-port_fwd".

#NXP ARM:
Based on Endpoint build, add kernel module build. This configuration and target
dpdk image can be used for both EP/RC.
meson arm64-build --cross-file config/arm/arm64_dpaa_linux_gcc -Dc_args="-
Werror" -Denable_kmods=true -Dkernel_dir=/Your/kernel/folder -Dexamples=port_fwd
-Dprefix=/Your/install/folder
ninja -C arm64-build install
#Target image:
#Root Complex kernel driver: "arm64-build/kernel/linux/lxsinic/lxsinic_kmod.ko".
#Root Complex DPDK UIO driver: "arm64-build/kernel/linux/igb_uio/igb_uio.ko".
#Root Complex DPDK image: "arm64-build/examples/dpdk-port_fwd".
```

8.2.9.3.3 Basic test setup



8.2.9.3.3.1 Start Endpoint

```
export ENABLE_PL_BIT=1
export DPRC=dprc.2
export DPDMAI_COUNT=32
source ./dynamic_dpl.sh dpmac.5 dpmac.6
#forward traffic from dpmac5 to PF0
export PORT0 FWD=2
#forward traffic from PF0 to dpmac5
export PORT2_FWD=0
#forward traffic from dpmac6 to PF1
export PORT1 FWD=3
#forward traffic from PF1 to dpmac6
```

```
export PORT3_FWD=1
#single core example:
export P0_DIST_1='(0,0,2)'
export P1_DIST_1='(1,0,2)'
export P2_DIST_1='(2,0,2)'
export P3_DIST_1='(3,0,2)'
./dpdk-port_fwd -c 0x4 -n 1 -- -p 0xf --config="$P0_DIST_1,$P1_DIST_1,
$P2_DIST_1,$P3_DIST_1"
```

8.2.9.3.3.2 Start Root Complex

```
#For kernel driver:
insmod lsinic_kmod.ko

#For DPDK:
#Larger continue huge page setup to improve performance
echo 64 > /sys/kernel/mm/hugepages/hugepages-1048576kB/nr_hugepages
mount -t hugetlbfs hugetlbfs /mnt/hugepages -o "pagesize=1G"

#Option1: Igbuio mode:
insmod igb_uio.ko
echo "0x1957 0x8d80" > /sys/bus/pci/drivers/igb_uio/new_id

#Option2: VFIO mode:
dpdk-devbind.py -b vfio-pci 0000:06:00.0
dpdk-devbind.py -b vfio-pci 0000:06:00.1
echo "0x1957 0x8d80" > /sys/bus/pci/drivers/vfio-pci/new_id

#forward traffic from PF0 to PF1
export PORT0_FWD=1
#forward traffic from PF1 to PF0
export PORT1_FWD=0
#single core example:
export P0_DIST_1='(0,0,2)'
export P1_DIST_1='(1,0,2)'
./dpdk-port_fwd -c 0x4 -n 1 -- -p 0x3 --config="$P0_DIST_1,$P1_DIST_1"
```

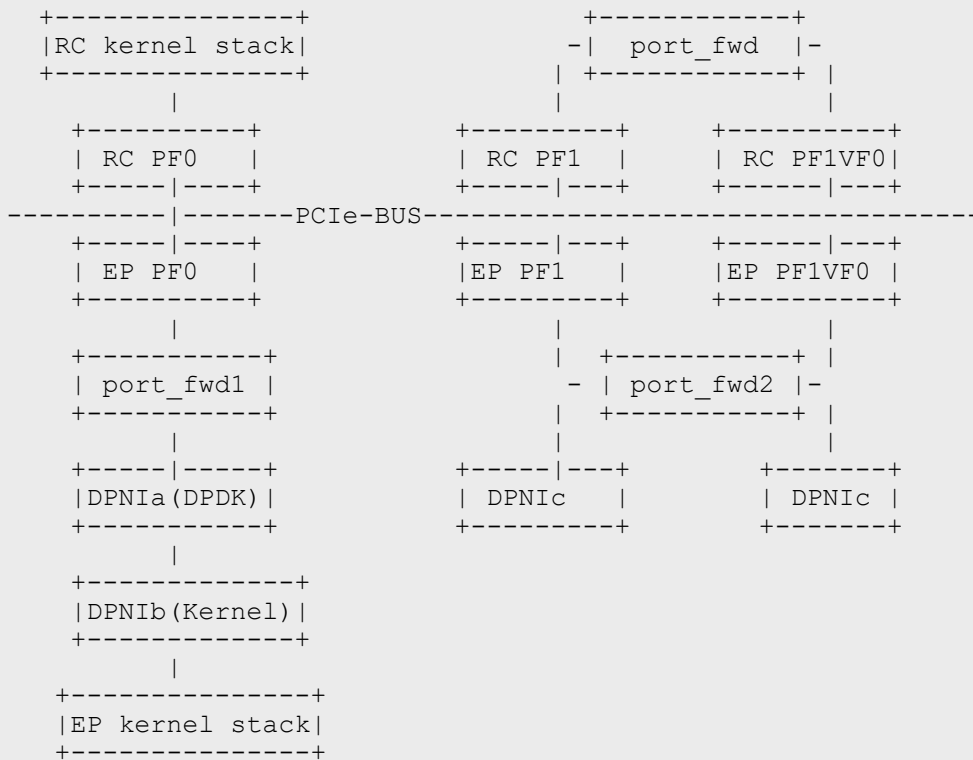
8.2.9.4 Small packets across PCIe performance improvement on Endpoint

```
i) EP/RC build with additional meson configure parameter: "--
Dlsinic_pkt_merge_across_pcie=true"
ii) Run dpdk on Endpoint side:
#Following environments are set in EP.
#Merge burst small packets to large packet.
export LSINIC_MERGE_PACKETS=1
#Configure DPAA2 port as recycle port to merge small packets for PCIEx_PFy or
PCIEx_PFy_VFz.
#This DPAA2 port may be one dpni self or one single lan serdes port.
export LSXINIC_PCIEx_PFy_HW_MERGE=portid
export LSXINIC_PCIEx_PFy_VFz_HW_MERGE=portid
#Configure DPAA2 port as recycle port to split packet merged with small packets
from PCIe host.
#This DPAA2 recycle port will redirect traffic to DPAA2 MAC according to rule
applied.
export LSXINIC_PCIEx_PFy_HW_SPLIT=portid
export LSXINIC_PCIEx_PFy_VFz_HW_SPLIT=portid
#Direct traffic from PCIe EP PMD port to DPAA2 port in egress direction.
```

```
export LSXINIC_PCIEx_PFy_EGRESS=portid
export LSXINIC_PCIEx_PFy_VFz_EGRESS=portid
```

8.2.9.5 Multiple process

Multiple EP processes are used to communicate with fast path (host DPDK) and slow path (host kernel) respectively. Each process is a standalone process and has its own DPAA2 resources/memory partition.



```
#First EP process for slow path:
export ENABLE_PL_BIT=1
export PORT1_FWD=0
export PORT0_FWD=1
export DPDMAI_COUNT=10
export DPIO_COUNT=10
export DPRC=dprc.2
export P0_DIST_1='(0,0,2)'
export P1_DIST_1='(1,0,2)'
export LSX_PCIE2_PF1=0
export LSINIC_PCIE2_PF0_DEVICE_ID=0x8d90
source ./dynamic_dpl.sh dpni
#Assume dpni.3 is configure by dynamic_dpl.sh
ls-addni dpni.3
#Assume eth3 is kernel interface connected to dpni.3
ifconfig eth3 1.1.1.3 up
./dpdk-port_fwd -c 0x4 -n 1 -- -p 0x3 --config="$P0_DIST_1,$P1_DIST_1"

#Create RC kernel interface for slow path
echo 1 > /sys/bus/pci/devices/0000\:06\:00.0/remove
echo 1 > /sys/bus/pci/devices/0000\:06\:00.1/remove
```

```

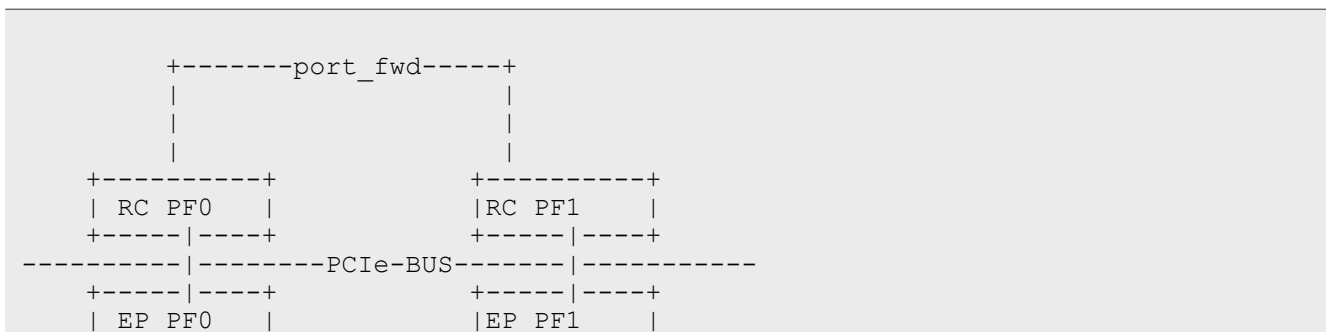
echo 1 > /sys/bus/pci/rescan
insmod ./lsinic_kmod.ko lsinic_dev_id=0x8d90
#Assume enp6s0f0 is kernel interface of PF0
ifconfig enp6s0f0 1.1.1.1 up
#Check link between RC kernel and EP kernel
ping 1.1.1.3

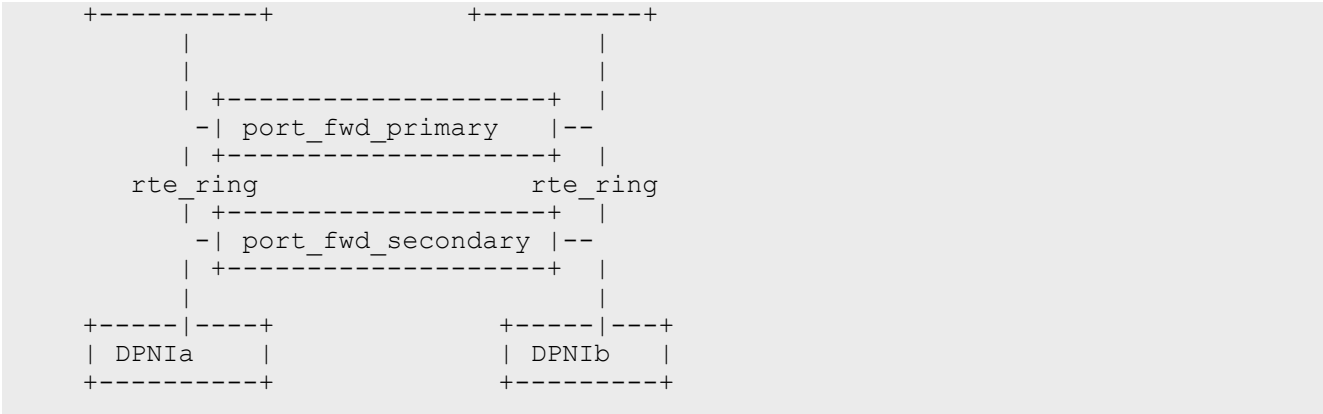
#Second EP process for fast path
export ENABLE_PL_BIT=1
export DPDMAI_COUNT=10
export DPIO_COUNT=10
export DPRC=dprc.3
export PORT0_FWD=2
export PORT1_FWD=3
export PORT2_FWD=0
export PORT3_FWD=1
export P0_DIST_1='(0,0,4) '
export P1_DIST_1='(1,0,4) '
export P2_DIST_1='(2,0,4) '
export P3_DIST_1='(3,0,4) '
export LSX_PCIE2_PF0=0
export LSX_PCIE2_PF1_VF0=1
export LSINIC_PCIE2_PF1_DEVICE_ID=0x8da0
export LSINIC_PCIE2_PF1_VF_DEVICE_ID=0x8da0
export LSX_PCIE2_CLEAR_WINDOWS=0
source ./dynamic_dpl.sh dpmac.5 dpmac.6
./dpdk-port_fwd -c 0x10 -n 1 --file-prefix rte1 -- -p 0xf --config="$P0_DIST_1,
$P1_DIST_1,$P2_DIST_1,$P3_DIST_1"

#RC DPDK fast path for PF1 and PF1VF0
echo 64 > /sys/kernel/mm/hugepages/hugepages-1048576kB/nr_hugepages
mount -t hugetlbfs hugetlbfs /mnt/hugepages -o "pagesize=1G"
export P0_DIST_1='(0,0,2) '
export P1_DIST_1='(1,0,2) '
export PORT0_FWD=1
export PORT1_FWD=0
echo 1 > /sys/bus/pci/devices/0000\:06\:00.1/remove
echo 1 > /sys/bus/pci/rescan
insmod ./igb_uio.ko
echo "0x1957 0x8da0" > /sys/bus/pci/drivers/igb_uio/new_id
echo 1 > /sys/bus/pci/devices/0000\:06\:00.1/max_vfs
./dpdk-port_fwd -c 0x4 -n 1 -- -p 0x3 --config="$P0_DIST_1,$P1_DIST_1"
    
```

8.2.9.6 Primary process

A primary process is used to handle PCIe EP PMD and a secondary process is used to handle reset devices (DPAA2, BBDEV, and so on).





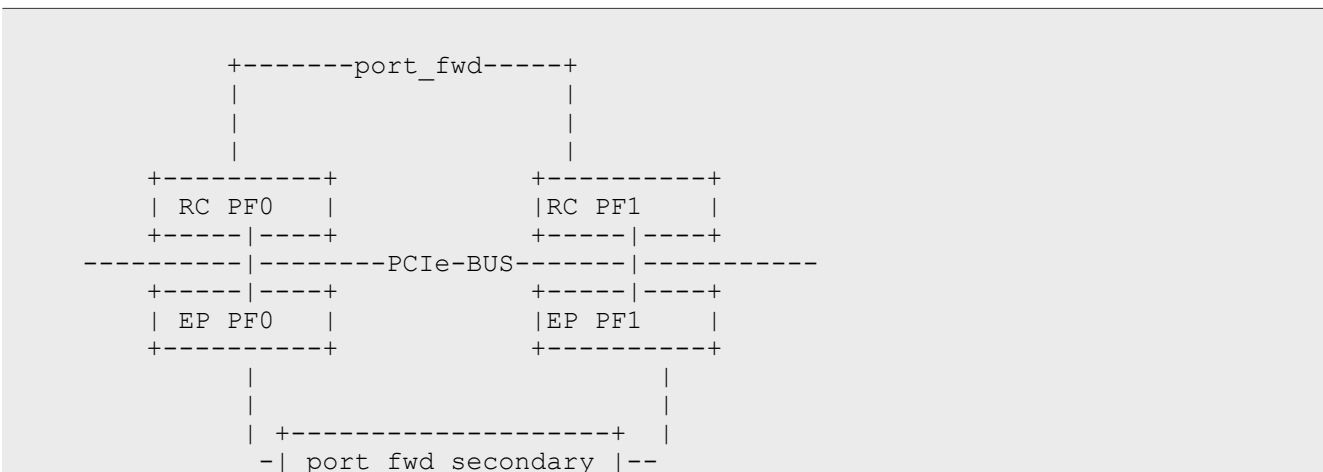
```

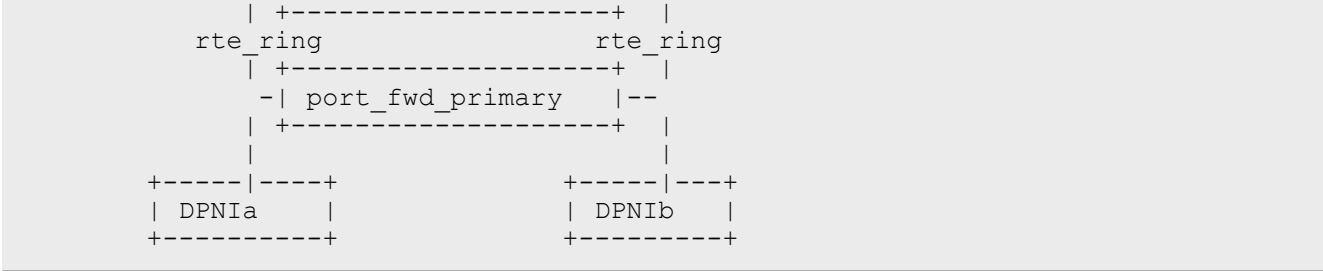
#Primary proxy handles PCIe EP PMD ports only:
export DPIO_COUNT=10
export ENABLE_PL_BIT=1
export DPDAI_COUNT=10
export DPMCP_COUNT=2
export DPRC=dprc.2
export P2_DIST_1='(2,0,2)'
export P3_DIST_1='(3,0,2)'
export PORT_FWD_RING_FWD=1
source ./dynamic_dpl.sh dpmac.5 dpmac.6
./dpsk-port_fwd -c 0x4 -b fslmc:dpio.22 -b fslmc:dpio.23 -b fslmc:dpio.24 -b
fslmc:dpio.25 -b fslmc:dpmcp.38 -n 1 -- -p 0xc --config="$P2_DIST_1,$P3_DIST_1"

#Secondary process handles dpmac ports only:
export DPRC=dprc.2
export P0_DIST_1='(0,0,8)'
export P1_DIST_1='(1,0,8)'
export PORT_FWD_RING_FWD=1
./dpsk-port_fwd -c 0x100 -b fslmc:dpio.16 -b fslmc:dpio.17 -b fslmc:dpio.18 -b
fslmc:dpio.19 -b fslmc:dpio.20 -b fslmc:dpio.21 -b fslmc:dpmcp.37 -n 1 --proc-
type=secondary -- -p 0x3 --config="$P0_DIST_1,$P1_DIST_1"
    
```

8.2.9.7 Secondary process

A secondary process is used to handle PCIe EP PMD and a primary process is used to handle reset devices (DPAA2, BBDEV, and so on).





```

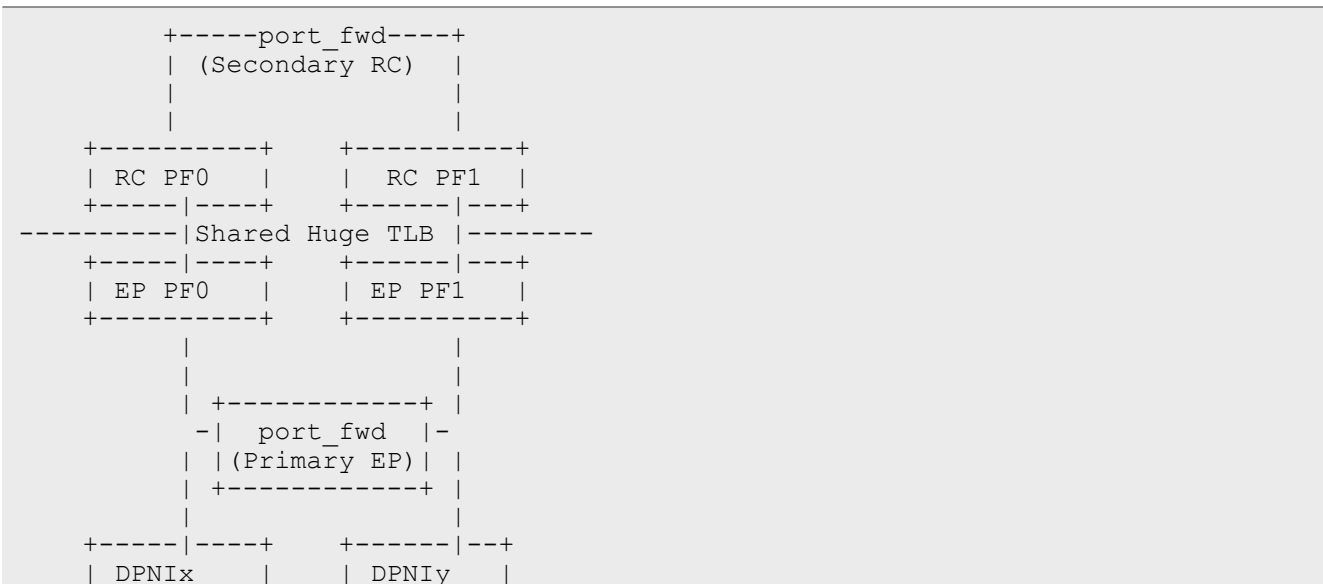
#Primary process handles dpmac ports only:
export DPIO_COUNT=10
export ENABLE_PL_BIT=1
export DPDMAI_COUNT=10
export DPMCP_COUNT=2
export DPRC=dprc.2
export P0_DIST_1='(0,0,2)'
export P1_DIST_1='(1,0,2)'
export PORT_FWD_RING_FWD=1
source ./dynamic_dpl.sh dpmac.5 dpmac.6
./dpdk-port_fwd -c 0x4 -b fslmc:dpio.22 -b fslmc:dpio.23 -b fslmc:dpio.24 -b
fslmc:dpio.25 -b fslmc:dpmcp.38 -n 1 -- -p 0x3 --config="$P0_DIST_1,$P1_DIST_1"

#Secondary proxy handles PCIe EP PMD ports only:
export DPRC=dprc.2
export P2_DIST_1='(2,0,8)'
export P3_DIST_1='(3,0,8)'
export PORT_FWD_RING_FWD=1
./dpdk-port_fwd -c 0x100 -b fslmc:dpio.16 -b fslmc:dpio.17 -b fslmc:dpio.18 -b
fslmc:dpio.19 -b fslmc:dpio.20 -b fslmc:dpio.21 -b fslmc:dpmcp.37 -n 1 --proc-
type=secondary -- -p 0xc --config="$P2_DIST_1,$P3_DIST_1"

```

8.2.9.8 PCIe EP/RC PMD simulator setup and traffic measurement on single board

This is used to develop, debug, and tune the PCIe EP framework if the PCIe EP environment is insufficient.



```
+-----+ +-----+
```

```
#Primary EP process
export DPIO_COUNT=10
export ENABLE_PL_BIT=1
export DPDMAI_COUNT=10
export DPMCP_COUNT=2
export DPRC=dprc.2
export PORT0_FWD=2
export PORT2_FWD=0
export PORT1_FWD=3
export PORT3_FWD=1
export P0_DIST_1='(0,0,2)'
export P1_DIST_1='(1,0,2)'
export P2_DIST_1='(2,0,2)'
export P3_DIST_1='(3,0,2)'
export LSX_PCIE2_SIM=1
source ./dynamic_dpl.sh dpmac.5 dpmac.6
./dpdk-port_fwd -c 0x4 -n 1 --proc-type=primary -- -p 0xf --config="$P0_DIST_1,
$P1_DIST_1,$P2_DIST_1,$P3_DIST_1"

#Secondary RC process
export P0_DIST_1='(0,0,8)'
export P1_DIST_1='(1,0,8)'
export LSINIC_RC_SIM=1
export LSINIC_RC_PROC_SECONDARY_STANDALONE=1
export PORT_FWD_SECONDARY_STANDALONE=1
export PORT0_FWD=1
export PORT1_FWD=0
export SYSFS_PCI_DEVICES=/tmp
./dpdk-port_fwd -c 0x100 -n 1 --proc-type=secondary -- -p 0x3 --
config="$P0_DIST_1,$P1_DIST_1"
```

8.2.9.9 L1-TB (EP) / L2-SDB (RC) transfer across PCIe

```
EP (L1):
export ENABLE_PL_BIT=1
export DPDMAI_COUNT=32
export DPRC=dprc.2
source /usr/local/dpdk/dpaa2/dynamic_dpl.sh dpni
export LSINIC_RC_RECV_SEGMENT_OFFLOAD=1
export LSINIC_RC_XFER_SEGMENT_OFFLOAD=1
export L1_L2_PERF_STATISTICS=1
./dpdk-l1_l2_comm -c 0x2 -n 1 -- --port-nm="lsxep_nxp_2_pf0"

RC (L2):
echo 1 > /sys/bus/pci/devices/0001\:01\:00.0/remove
echo 1 > /sys/bus/pci/devices/0001\:01\:00.1/remove
echo 1 > /sys/bus/pci/rescan
echo 2 > /sys/kernel/mm/hugepages/hugepages-1048576kB/nr_hugepages
mount -t hugetlbfs hugetlbfs /mnt/hugepages -o "pagesize=1G"
export L1_L2_PERF_STATISTICS=1
insmod ./igb_uio.ko
echo "0x1957 0x8d80" > /sys/bus/pci/drivers/igb_uio/new_id
./dpdk-l1_l2_comm -c 0x2 -n 1 -- --port-nm="0001:01:00.0" --layer='2'
```

8.2.10 Known limitations and future work

8.2.10.1 Generic limitations

- Not all functionalities supported by DPDK framework have been implemented by PPFE, ENETC, DPAA1, and DPAA2 drivers (PMDs). For list of supported features, refer PPFE: Supported DPDK Features, [Section 8.2.2.5](#), [Section 8.2.2.2](#), and [Section 8.2.2.3](#).
- Using Core 0 for I/O related work is known to impact performance - whether on host or in VM. Disabling services or RT prioritization can result in optimal performance but the results are non-deterministic. Affining Core 0 to I/O should be avoided as much as possible.
- It has been observed that PCI NIC card events can lead to performance drop on certain platforms. The behavior is non-deterministic across platforms. For peak performance numbers, PCI NIC cards should be disabled.
- DPDK docker support is currently only available for DPAA2 and DPAA platforms.

8.2.10.2 DPAA1-specific limitations

- Ports assigned to user space cannot be assigned dynamically to kernel space or vice versa.
- Default configuration for DPAA1 platform is to expect execution of FMC tools (see manual) before application can be run. This adds a constraint on number of queues which would be initialized by application to be exactly same as the queues which are configured by the FMC tool. In case, incorrect number of queues are used (lesser than configured by FMC tool), RSS distribution can cause loss of packets or no I/O.
- On LS1043ARDB platform, performance may be lower in case of 6G setup as compared to 10G setup.
- DPDK multiprocess mode (that is, using DPDK secondary processes) is not supported on DPAA1.

8.2.10.3 DPAA2-specific limitations

LS1088A platform has limited CTLU features. This limits the device hardware classification capabilities leading to reduced number of field combinations for flow matching/classification.

8.2.10.4 PPFE (LS1012)-specific limitations

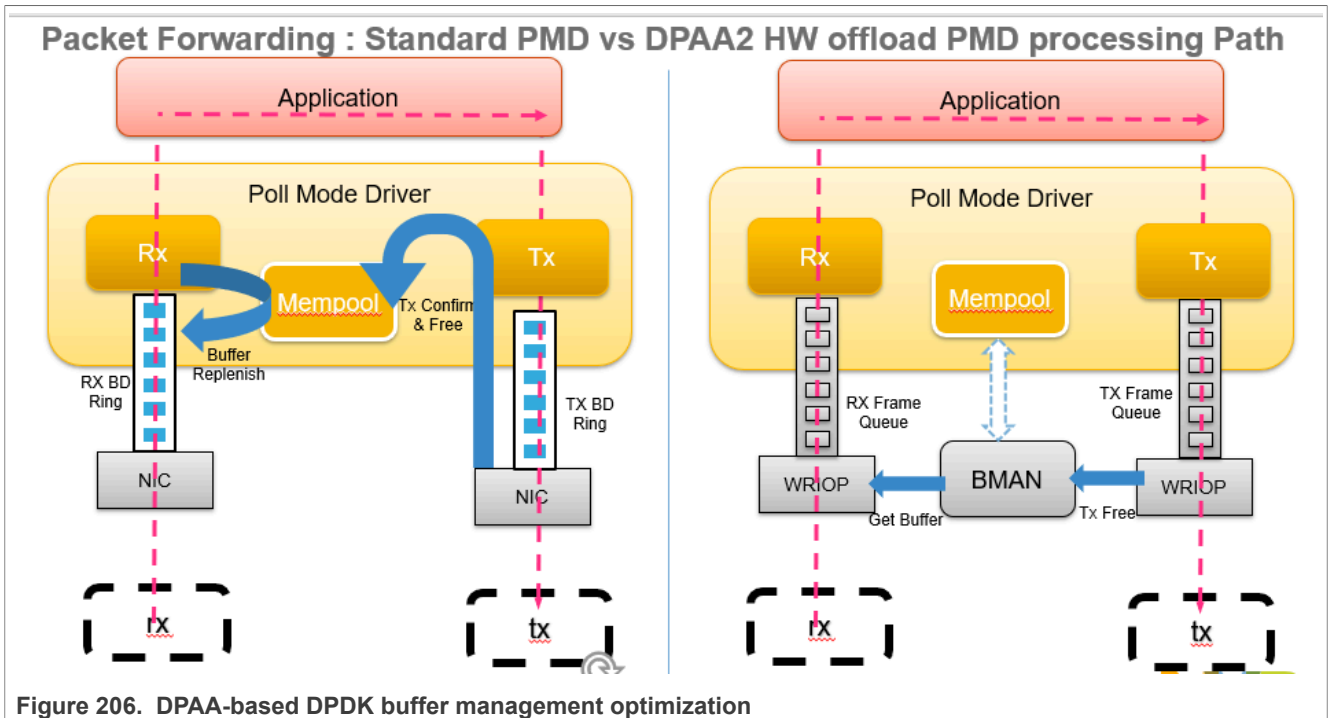
- While using PPFE in user space, if the kernel mode PFE module is loaded before using the user space mode, the HIF rings do not get cleaned sometimes and user need to restart the application again until the rings are cleaned.
- Multiple buffer pools are not supported.
- User-defined RX/TX queue configuration is not supported. Driver configures queue with default attributes only.

8.2.10.5 ENETC (LS1028)-specific limitations

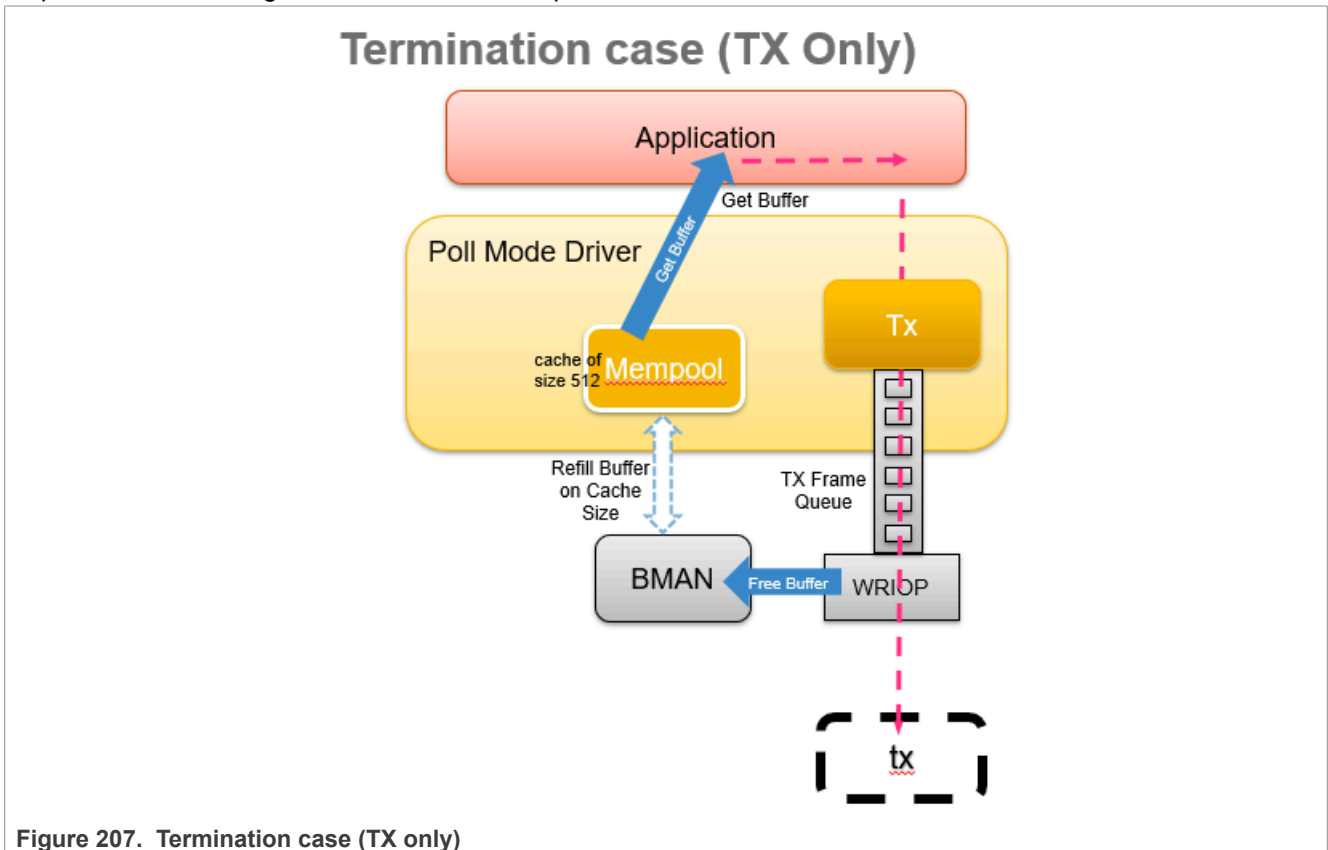
- Link Negotiation and Link status update are not supported
- Switch port should be connected and link should be up before booting linux.

8.2.11 Optimizing DPAA-based DPDK buffer management

[Figure 206](#) shows optimizing the DPAA-based DPDK buffer management with respect to usecase:



DPAAx has hardware-based buffer manager, which helps in allocating and freeing buffer while receiving and transmitting packets in the hardware itself. This saves on the cost for packet allocation and freeing. Also, this helps to avoid handling of the TX confirmation post transmission.



In a termination case, the application gets buffer from the DPDK packet mbuf pool and MAC (WRIOP or FMan) frees the packets back to the HW buffer pool. Note that DPDK packet mbuf pool maintains per core cache of buffers and it regularly refills the buffers at every cache limit (for example, 512).

Allocating or freeing the buffers may cause extra latency in accessing the hardware. To minimize the latency impact:

- Spread the HW access cost with reduced and no cache.
 - Reduce cache size to 0 or lower number, this will spread the cost of HW access. (for example, 4, 16, 64)
- Implement TX confirmation and let the application manage the buffer free.
- Use delay free mechanism, where application can free the buffer automatically after x time considering that the buffer is no longer in use.

8.2.12 Troubleshooting

Following are some common steps and suggestions outlined for best performance from DPDK Applications:

1. To obtain best performance, ensure that the boot-up time command-line arguments are similar to below:

For DPAA2:

```
console=ttyS1,115200 root=/dev/mmcb1k0p3 earlycon=uart8250,mmio,0x21c0600
default_hugepagesz=1024m hugepagesz=1024m hugepages=8 isolcpus=1-7
iommu.passthrough=1
```

Note: In the above, change the *isolcpus* as required based on the cores which would be used by DPDK applications.

For LS1046:

```
console=ttyS0,115200 root=/dev/mmcb1k0p3 earlycon=uart8250,mmio,0x21c0500
default_hugepagesz=1024m hugepagesz=1024m hugepages=4 isolcpus=1-3
bportals=s0 qportals=s0 iommu.passthrough=1
```

For LS1043:

```
console=ttyS0,115200 root=/dev/mmcb1k0p3 earlycon=uart8250,mmio,0x21c0500
default_hugepagesz=20m hugepagesz=2m hugepages=512 isolcpus=1-3 bportals=s0
qportals=s0 iommu.passthrough=1
```

isolcpus in the above ensures that only Linux Kernel schedules its threads on Core 0 only. Core 1-x would be used for DPDK application threads.

Hugepage count defined by *hugepages* should also be modified to maximum possible so as to allow DPDK applications to have larger buffers.

Note: The value of *hugepages* is dependent on the size of RAM available on the board. Value should be selected based on specific use case as any memory allocated for hugepage is not usable for Linux Kernel OS operations.

2. If there is issue with reception of transmission of packets, verify the following points:
 - a. Ensure that no error has been reported by DPDK application at startup. Generally the output is descriptive enough for cause of problem.
 - b. Check the mapping of ports against the physical ports:
 - In case of DPAA platform, ensure that the mapping of physical interfaces with DPDK ports is correct. Refer [LS1043ARDB Port Layout](#) or [LS1046ARDB Port Layout](#).
 - In case of DPAA2 platform, ensure that correct *dpni.X* has been used in the *dynamic_dp1.sh* script while creating the *dprc* containers. A common pitfall is to use an incorrect *dpni* as against the physical port being used for IO.
 - c. Ensure that traffic generator to board connectivity is proper. You may run *testpmd* in *tx_only* mode to validate if the packets are going out on specific interfaces. For information about *testpmd* application and its supported arguments, see https://doc.dpdk.org/guides-21.11/testpmd_app_ug/index.html.

- d. Ensure that the traffic generator stream settings are correct and enough streams are being generated for proper distribution between DPDK application cores.
 - e. Ensure that the MAC address of stream generated by traffic generator matches that of the `dpni` port, or the interface is in promiscuous mode.
3. If the performance is not as expected:
 - a. Ensure that the stream configuration of the traffic generator is appropriate and that it can generate multiple streams. In case the streams have all same IP destination and/or source, the distribution of traffic across multiple cores wouldn't happen.
Note: For obtaining best performance, it is important to configure the number of streams from packet generator adequately. If the number of streams generated by packet generator are not adequate, it would lead to improper distribution across the queues defined (especially in case of multiple queue setup) and eventually lack of performance.
 - b. Using standard process tools in Linux, for example `ps`, `top`, verify that all the DPDK application threads have been started (as per application configuration on command-line) and busy looping.
 - c. For DPAA2, in case any DPAA2 ports are assigned to Linux kernel, assure that the interrupt affinity is not on any core which is assigned to DPDK. See the [Section 8.2.13](#) for details about how to check and affine cores to such interrupts.
 4. For DPAA1 and DPAA2, certain functionality enhancement and troubleshooting parameters are available. You can enable them according to your requirements. See <https://github.com/NXPmicro/dpdk/blob/21.11-qoriq/nxp/README> for more details.
 5. System tuning parameters can be checked with `debug_dump.sh` script located in `/usr/share/dpdk/` directory. You can share the output with support team for further analysis.
 6. DPAA2 port status can be checked from `restool` commands. for example `restool dpni info dpni.1` for DPNI stats, `restool dpmac info dpmac.1` for DPMAC stats and `restool dpdmux info dpdmux.0` for DPDMUX statistics.
 7. DPAA1 port statistics can be checked using `/sys/devices/platform/soc/1a00000.fman/*.port/statistics/*`.
 8. DPAA2 - When using large number of buffers (> 1 Million), the application may hang. This is due to maximum limit of number of buffers configured by default for DPAA2 QBMAN. It is a configurable setting in DPC file. To configure number of buffers, following node needs to be added or modified with the correct number of buffers.

```
{
  qbman {
    ....
    total_bman_buffers=<number of buffers in HEX>;
  };
};
```

8.2.13 DPDK Performance Reproducibility Guide

This section describes various cases and points which are important for obtaining best performance from DPDK software on the NXP platforms. This is a suggestive list of best practices and optimal configurations which can help extract maximum performance of the NXP DPAA hardware.

Note: The practices mentioned in this section are based on tests in controlled environment. These are not intended for production or deployment without adequate analysis of the impact on use cases.

The subsections that follow explains:

- Steps required before booting up the Linux kernel
- Steps required before DPDK application execution

8.2.13.1 Before booting up Linux

1. Use Layerscape LDP GCC as the recommended toolchain for compiling DPDK.
2. `CONFIG_QORIQ_THERMAL` flag is enabled by default which tracks the temperature of SOC. In some cases like LS1043A, the temperature may go up while running DPDK applications, which are CPU intensive and the maximum CPU frequency is clamped to a lower value. This may result in lower performance numbers. To disable this feature, you must disable the `CONFIG_QORIQ_THERMAL` flag while compiling the kernel image.

3. Choosing Optimal Board Support Packages (BSP)

- Choosing a compatible board support package is critical for functionality as well as performance of DPDK application.

For DPAA1 and DPAA2 platforms, select the top frequency RCW/PBL binaries stably supported by boards.

For example, Rev 1.1 boards with frequency 2100x800x2133 in LS2088ARDB DPAA2 are known for their best performance.

In case of other frequency, though it is stable, it would result in a slower performance.

4. Disabling hardware prefetching through U-Boot

- For LS2088A DPAA2 platform, it is possible to disable hardware prefetching through U-Boot. This can enhance performance in multicore scenario.
- For disabling hardware prefetching, use the following command on U-Boot prompt:

```
setenv hwconfig 'fsl_dds:bank_intlv=auto;core_prefetch:disable=0xFE'
```

Note: Change the `disable` parameter based on the platform being used. For example, for LS1046/LS1043, having 4 cores, use `disable=0xE`, and for LX2 having 16 cores, use `disable=0xFFFE`.

After executing the above command, board bank needs to be reset for the setting to take place. In the above command, field `disable=0xFE` defines the mask for disabling prefetching on specific cores. For example, for disabling prefetching on 3rd and 4th core, use `disable=0x0C`.

Note: Disabling prefetching on Core 0 is not supported. This setting does not have any impact on single core case. Maximum performance gain is observed when all 8 cores of LS2088 board are being used (of which 7 cores have prefetching disabled as Core 0 doesn't support this feature).

5. Linux Boot Argument

- For DPAA platform, if the onboard memory is limited (for example LS1043 RDB), following configuration should be appended to default boot arguments:

```
default_hugepagesz=2m hugepagesz=2m hugepages=512 isolcpus=1-3 bportals=s0
qportals=s0 iommu.passthrough=1
```

Through the above boot arguments, 1024 Mbit of hugepages have been assigned for all DPDK applications (512 pages of 2M size each).

`isolcpus` isolates the CPUs 1, 2, 3 from Linux Kernel process schedulers' scheduling algorithm. All System Service would be scheduled on Core 0 and that should be avoided in application configuration for I/O threads.

- For DPAA2 platform, following configuration should be appended to default boot arguments:

```
default_hugepagesz=1024m hugepagesz=1024m hugepages=8 isolcpus=1-7
iommu.passthrough=1
```

It is recommended to use 1G huge page size for DPAA2 platform.

Note: While running DPDK for all core cases, `isolcpus` parameter should *not* be set in bootargs. `enable_performance_mode.sh` script reserves 99.6% CPU for DPDK application and the rest is given to kernel on all cores, so `isolcpus` is not required. Ensure that the links are up for all interfaces before running DPDK, as kernel tasks may get slowed down.

Note: Change the value of `isolcpus` parameter based on the platform being used. For example, for LX2 platform use `isolcpus=1-15`

- In case UEFI-based booting is used, the boot arguments are changed from grub.cfg. Refer to UEFI section on how to update the arguments.

Note: It should be noted that CPU isolation configuration cannot be changed in a running Linux Kernel. Whereas, huge page configuration can be changed from Linux prompt by writing to `/proc/sys/vm/nr_hugepages` file. Thus, CPU isolation should be carefully decided before booting up Linux Kernel.

Note: `nousb` can be appended to boot arguments to disable USB in Linux Kernel. This prevents any interrupts from USB devices to be serviced by CPU cores. This is especially important when Core 0 is being used for DPDK I/O performance. But, this option should only be used if there is no dependency of USB devices for system execution, for example, a USB mass storage which contains either the root filesystem or extra filesystem containing data necessary for execution.

6. For Best performance, use the data cores as isolated cpus and operate them in tickless mode on kernel version 4.4 above. For this:
 - a. Compile the Kernel with `CONFIG_NO_HZ_FULL=y`
 - b. Add bootargs with `'isolcpus=1-7 rcu_nocbs=1-7 nohz_full=1-7'` for 8 core platform and `'isolcpus=1-3 rcu_nocbs=1-3 nohz_full=1-3'` for 4 core platform

Note: The `CONFIG_NO_HZ_FULL` linux kernel build option is used to configure a tickless kernel. The idea is to configure certain processor cores to operate in tickless mode and these cores do not receive any periodic interrupts. These cores will run dedicated tasks (and no other tasks will be schedules on such cores obviating the need to send a scheduling tick). A `CONFIG_HZ` based timer interrupt will invalidate L1 cache on the core and this can degrade dataplane performance by a few % points (to be quantified, but estimated to be 1-3%). Running tickless typically means getting 1 timer interrupt/sec instead of 1000/sec.

7. Setup of the Performance Validation Environment

- It is important that the environment for performance verification uses a balanced core loading approach. Each core should be loaded with equal number of RX/TX queues, irrespective of their count. Images below describe some of the I/O scenario using an example setup containing a target board and a packet generator. In all the cases shown, it is assumed that each port has a single queue being serviced by a CPU core. Also, even though below images show 8 ports, it is a generic representation. DPAA boards may not have 8 equal ports (1G/10G) - this representation is assuming traffic is always distributed across equal capacity ports.

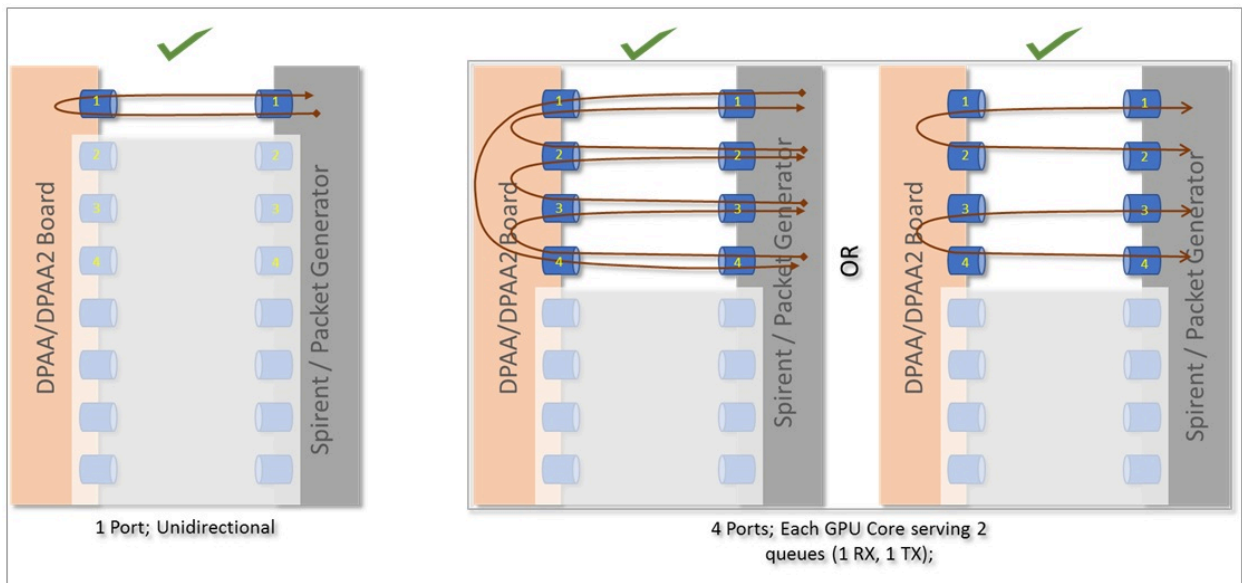


Image above describes 2 cases: One for single port and another for 4 ports. It can be noted that all the cores are equally loaded (equal number of cores, irrespective numbers of ports being serviced). Further,

the 4 port case shows that there is more than one way to move stream of packets. (Note the direction of arrows in each case).

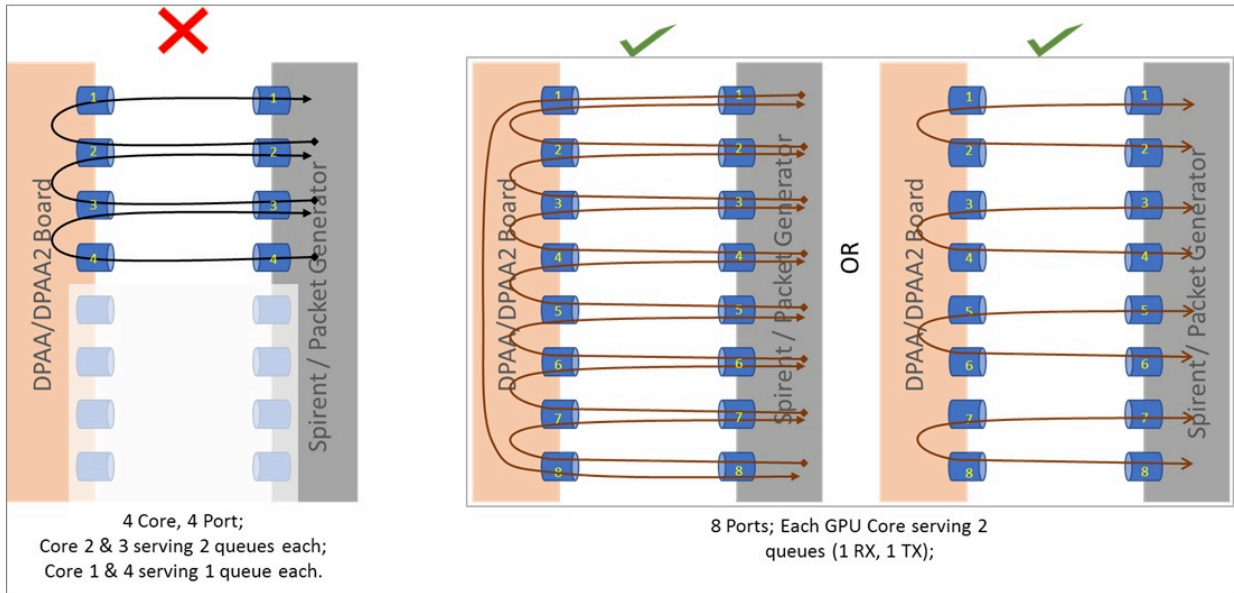


Image above describes a case with 4 ports where the CPU cores are not equally loaded. This is not a recommended combination as this would mean some streams being served (packet per second) slower than others. 8 port combination shown in the image above extends the mapping of 4 ports shown in image before. Once again, it should be noted that there are multiple ways to create a balanced set of streams. A performance setup should choose one baseline and all performance reports should be based on that baseline.

Note: For Performance measurement, performing I/O across non-equal capacity ports (1G=>10G, vice-versa) is not a valid case. This would lead to build up of queues on higher capacity links eventually stopping traffic when hardware is unable to obtain buffers for storing new incoming packets - eventually stopping traffic.

8. Uninstalling PCI Ethernet (e1000) NIC Cards

- It has been observed that when PCI Ethernet cards (for example, on DPAA/DPAA2 RDB boards Intel e1000) are installed, they have a tendency to poll frequently the CPU cores (Core 0, in case of isolation). This has adverse impact on the application performance if DPDK I/O threads are scheduled on same cores which service these interrupts.
- For best performance, such PCI Ethernet cards should be uninstalled from the hardware. If uninstallation is not possible, see the comments mentioned in the section below to disable the interface by unlinking it from the Linux Kernel.

Note: `nopci` can be appended to boot arguments to completely disable PCI devices from being detected by Linux Kernel. This prevents PCI interrupts from being serviced by CPU. But, this option should not be used if there is dependency on any PCI device for system execution.

8.2.13.2 Before and while starting DPDK Application

1. Setting real-time priority for DPDK Application

- In full fledged distributions, like Ubuntu, the root filesystem contains various system services by default. These services are targeted toward a generic environment. Many of these services require periodic CPU cycles. DPDK I/O threads execute as a run-to-completion process, infinitely looping over CPUs they are affined to. Services which require periodic CPU cycles can interrupt the DPDK I/O threads causing loss of

packets and/or latency. Ideally, such services should be disabled or a rootfs without such services should be used for optimal performance. But, in case this cannot be done, real-time priority of application can also achieve desired results.

- Execute the script `/usr/share/dpdk/enable_performance_mode.sh`. Care should be taken to run the DPDK application from same shell as the one on which script was executed. This is because the script sets some environment variables which are used by DPDK application to define real-time priorities for its threads. This script is also designed to set to "performance" mode the CPU scaling governor. This prevents the CPU from putting itself into lower power state when not busy. This causes loss of traffic in initial I/O streams when the CPU is expected to spin up to its maximum frequency.

Note:

- This script sets the real-time priorities for any DPDK application which is run after the script has been executed. This also applies to application configured to run on Core 0. Thus, it is important to consider the implication. If the application is run on Core 0 and it is busy in I/O, it can lead to CPU stall causing complete lock-up. DPDK sample applications like `l2fwd`, `l3fwd`, `ipsec-secgw` are designed to relinquish the CPU when no I/O is being done. That way, using sample application, all core performance can be calculated. Similar care should be taken while developing custom DPDK applications. As this script was primarily designed for host applications, it may require modification for it to be used with Virtualization cases (Qemu, VM) and OVS.
- Though this script doesn't necessarily require core isolation and tickless kernel, it is still recommended that I/O cores be isolated and tickless kernel be used to get the best performance environment. Also, this script assumes that it is an Ubuntu environment with power governor support and that no other process is running in priority higher than DPDK application.
- An opposite script, `/usr/share/dpdk/disable_performance_mode.sh`, is also available. This puts the processor back in the "on-demand" scaling governor configuration and also removed the environment variables. It is important to run this script once performance verification of a DPDK sample application has been completed. This would avoid issues with inadvertently executing DPDK application on Core 0 and causing a lock-up.

2. Using High Performance (PEB) Buffer (Only for DPAA2)

- In DPAA2 platform, while creating the resource container using the `dynamic_dpl.sh` script, it is possible to toggle between high performance PEB buffers and normal buffers (DDR). By default, the high performance buffers are enabled for LS2088A; for LS1088A, default configuration is normal buffers.

Note: For LS2088A, it is recommended to use high performance buffers which are enabled by default. Though, there is caveat to this as described below.

PEB buffers are limited resources. Overusage of buffers, either through large number of queues or deep taildrop settings, can cause the PEB buffers to overflow causing an interruption of I/O. The hardware might also enter a state from which it will not recover until board is restarted.

Exact limitations of number of queues are based on various parameters and cannot be stated objectively without defining the use case. As a thumb-rule, refrain from using PEB buffers if configuration requires more than 1 queue per CPU core to be used, assuming all ports and CPU cores are being employed.

For toggling between normal and high performance buffers, use the following environment variable before executing the `dynamic_dpl.sh` script:

```
export DPNI_NORMAL_BUF=1
# disables high performance buffers; enables normal buffers
```

3. Disabling PCI Ethernet (e1000) NICs

As mentioned in the above section, it is preferable if no PCI Ethernet hardware (like e1000 on DPAA/DPAA2 boards) is installed. But, if it is not possible to uninstall a hardware device, following command can be used to unlink the Ethernet card from PCI driver in the Linux Kernel thereby preventing the CPU cores from being interrupted with periodic interrupts. This is specially important when all core performance is to be recorded.

```
echo 1 > /sys/bus/pci/devices/<PCI device BDF address>/remove
```

In the above command, replace <PCI device BDF address> with appropriate BDF format bus address of the PCI device, for example 0000:01:00.0, after properly bypassing the : character in the name to avoid failure reported by Linux Bash prompt. For example, `echo 1 > /sys/bus/pci/devices/0000\:01\:00.0/remove`.

This command would unlink the PCI device with BDF address 0000:01:00.0 from its PCI driver's control, thereby disabling it from Linux Kernel.

Note: Once the device is unlined from the PCI driver, it would not be usable through the Linux Kernel interface until bound to same or another PCI driver. It is out of scope for this document to record steps necessary for linking a PCI device to a PCI driver to bring it under Linux Kernel control.

4. **Interrupt Assignment for DPIO (Only for DPAA2)**

With the Linux `cat /proc/interrupts` command, interrupts being serviced by each CPU core can be observed.

```

user@Ubuntu:~# cat /proc/interrupts r
CPU0          CPU1          CPU2          CPU3          CPU4          CPU5
CPU6          CPU7
...
113:           0             0             0             0             0             0
0             0 ITS-fMSI 230000 Edge      dpio.7
114:           0             0             0             0             0             0
0             0 ITS-fMSI 230001 Edge      dpio.6
115:           0             0             0             0             0             0
0             0 ITS-fMSI 230002 Edge      dpio.5
116:           0             0             0             0             0             0
0             0 ITS-fMSI 230003 Edge      dpio.4
117:           0             0             0             0             0             0
0             0 ITS-fMSI 230004 Edge      dpio.3
118:           0             0             0             0             0             0
0             0 ITS-fMSI 230005 Edge      dpio.2
119:           0             0             0             0             0             0
0             0 ITS-fMSI 230006 Edge      dpio.1
120:           0             0             0             0             0             0
0             0 ITS-fMSI 230007 Edge      dpio.0
...

```

This is especially important in case when any interrupts are being serviced by CPUs being used by DPDK. For example, in the above representation, the DPIO blocks shown are used by the Linux kernel assigned DPAA ports. Thus, in case a port is assigned to Linux (and some are assigned to DPDK), if I/O is performed on the ports assigned to Linux, there is a possibility that the interrupts for that I/O spread across the cores which are being used by the DPDK. This should be avoided by setting the interrupt affinity. For example, if the DPIO.7 interrupt is considered in from the above output, the following terminal snippet shows the affinity of that interrupt:

```

user@Ubuntu:~# cd /proc/irq/113/
user@Ubuntu:/proc/irq/113# ls -la
total 0
dr-xr-xr-x  3 root root 0 Mar  2 23:09 .
dr-xr-xr-x 111 root root 0 Mar  1 17:49 ..
-r--r--r--  1 root root 0 Mar  2 23:09 affinity_hint
dr-xr-xr-x  2 root root 0 Mar  2 23:09 dpio.7
-r--r--r--  1 root root 0 Mar  2 23:09 effective_affinity
-r--r--r--  1 root root 0 Mar  2 23:09 effective_affinity_list
-r--r--r--  1 root root 0 Mar  2 23:09 node
-rw-r--r--  1 root root 0 Mar  2 23:09 smp_affinity
-rw-r--r--  1 root root 0 Mar  2 23:09 smp_affinity_list
-r--r--r--  1 root root 0 Mar  2 23:09 spurious
root@Ubuntu:/proc/irq/113# cat smp_affinity
01

```


Output of `cat smp_affinity` is a mask for cores on which interrupt should be serviced. Affinity can be set by running following command:

```
cat 03 > smp_affinity # for enabling Core 0 and Core 1 for serving interrupts on DPIO.7
```

5. DPDK Optimal Example Application Configuration

- Avoiding Core 0
 - As mentioned above, distributions like Ubuntu have large number of system services. Though some of these services can be disabled, there would always be cases of interrupts or uninterruptible services which would require Core 0 cycles. Isolating the cores through Linux Kernel can be done using Linux boot arguments. This would allow isolated cores to be used exclusively for DPDK I/O threads.
 - Once a configuration of isolated cores is set, similar configuration should be done in DPDK application using the `-c` or `--coremask` command-line option.
 - If 4 core (in LS1043A or LS1046A) or 8 core (LS1088A or LS2088A) performance is required, system services should be disabled. Though, it should be noted that performance number using Core 0 show undeterministic behavior of latency and packet losses. For example, LS2088A has been observed to perform fairly stable on 8 core configuration with services disabled, but same cannot be stated for LS1088A boards.
- Avoiding Core 0 in case of Virtual Machine
 - Core 0 impact on the DPDK I/O performance is valid for host as well as for Virtual Machine (VM). While configuring DPDK application in VM, Core 0 should be avoided. The Qemu configuration should be such as to avoid using the Host's Core 0 for any VM logical core which is running DPDK I/O threads.
 - For a VM environment, OVS or similar switching stack maybe used on the host. Qemu configuration should be such as to avoid mapping the logical cores (VCPU) assigned to VM with any of the CPU cores which run the switching stack threads. `taskset` command is recommended for affining the Qemu threads (serving VM VCPUs) to a particular core. Refer [Launch QEMU and virtual machine](#) for more details.
- Using Multi-queue configuration to spread load across multiple CPUs
 - DPDK applications can utilize RSS based spreading of incoming frames across multiple queues servicing a particular port. This is especially helpful in obtaining better performance by utilizing 1:N mapping of ports to CPU cores. That is, more than 1 CPU core serves a single port. This requires adequate configuration of Port-Queue-Core combination through DPDK application command-line. For example, `dpdk-13fwd` application can be configured to use 8 ports on a LS2088A board for serving 2 ports using the following command:


```
dpdk-13fwd -c 0xFF -n 1 -- -p 0x3 --config="(0,0,0), (0,1,1), (0,2,2), (0,3,3), (1,0,4), (1,1,5), (1,2,6), (1,3,7)"
```

In the above command, the `--config` argument takes multiple tuples of (*port, queue, core*). Note that Port number 0 is being served by Core 0, 1, 2 and 3 using separate queue numbers. Using similar configuration described for `dpdk-12fwd` application above, optimal utilization of Cores can be achieved. The command-line options vary with DPDK application and DPDK online web manual should be referred for specific example applications. Though the above command snippet utilizes Core 0, necessary care should be taken as described in text above.
 - As mentioned above, DPDK uses RSS (Receive Side Scaling) to spread the incoming frames across multiple queues. Multi-queue setup must be supported by varying flows from the Packet Generator. The flows created should be such as to have varying Layer-2 or Layer-3 field values.

- As flow distribution is based on hash over Layer-2 and Layer-3 fields, it is possible that lower number of flows would distribute unevenly across queues. Number of flows created should be large enough to spread equally across all the configured queues.
- Consideration for CPU clusters
 - SoC have multiple clusters housing one or more CPUs. Each cluster shares a L2 cache. In general, this allows threads sharing data over CPUs from same cluster to perform better than threads sharing data across CPUs from different clusters.
 - For best performance, it is recommended that DPDK application configuration for selecting CPU cores should be such to either use all CPUs from same cluster or spread queues equally across clusters. When this is combined with Core 0 issue, it implies that using Cluster having Core 0 might perform slightly worse than using cluster which doesn't use Core 0.
- Using limited number of I/O buffers
 - DPDK allows an application to change the number of maximum in-flight buffers. This is especially useful when there is memory constraint and DPDK application has limited resources.
 - Each buffer, for processing, has to be fetched into the system caches (L2/L1). Larger the number of buffers in-flight simultaneously, more would be the flushing of buffer addresses. To avoid excessive pressure on the L2 caches (eviction, hit, miss cycle), lower number of buffers should be used. Exact numbers would depend on the use case and resources available.
For example, in case of `dpdk-l3fwd` application, `--socket-mem=1024` like EAL argument can be provided to the application as shown in command snippet below. Note that the argument has been provided before the `--` - these are passed to DPDK framework rather than the application itself.

```
dpdk-l3fwd -c 0xFF -n 1 --socket-mem=1024 -- -p 0x1 --config="(0,0,0),
(0,1,1), (0,2,2), (0,3,3), (0,4,4), (0,5,5), (0,6,6), (0,7,7) "
```

- Degradation of OVS performance with increase in flows
 - It has been observed that OVS doesn't perform well when the number of flows are large. This is because of OVS's inherent design to use a flow matching table of size 8000. If larger than 8000 flows are used, the overall performance degrades because of hash collisions. If more than 8000 flows are required, use the following command **after** OVS bridge has been created:

```
ovs-vsctl set bridge br0 other-config:flow-eviction-threshold=65535
```

This command would set the size of OVS internal flow table to 65535.

- Use `-n 1` as argument passed to DPDK EAL
 - `-n` argument for DPDK application is for defining number of DDR channels for the system - which is typically valid for NUMA architectures. This parameter is used for mempool memory alignments. For NXP SoCs, this should be set to "1". NXP SoCs supported by DPDK are non-NUMA.

8.2.14 Use cases

8.2.14.1 Traffic bifurcation using VSP on DPAA

DPAA supports Hardware (FMan) based traffic splitting on different interfaces:

- Custom method to split the traffic can be programmed via FMan PCD interface configurations.
- Interface can receive packets on different buffer pools (Virtual Storage profile).

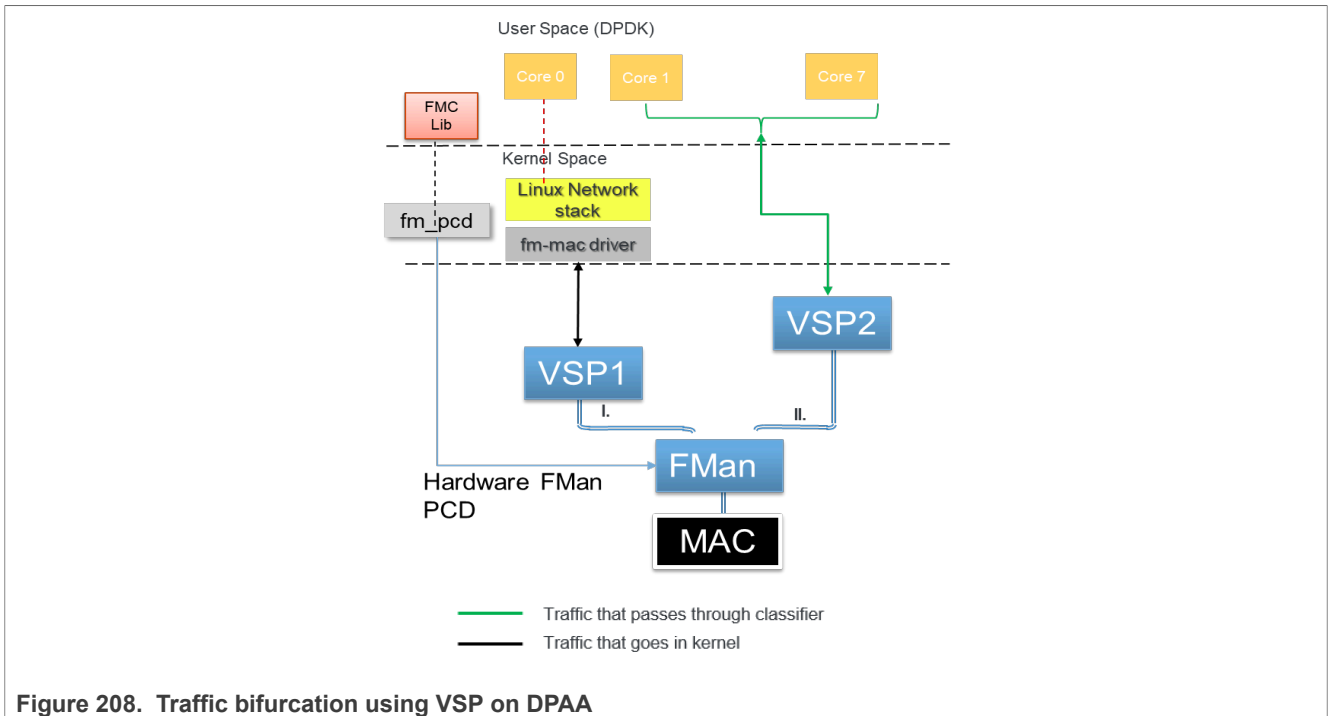


Figure 208. Traffic bifurcation using VSP on DPAA

8.2.14.1.1 Environment setup

This section uses LS1046ARDB as an example platform for demonstrating the use case.

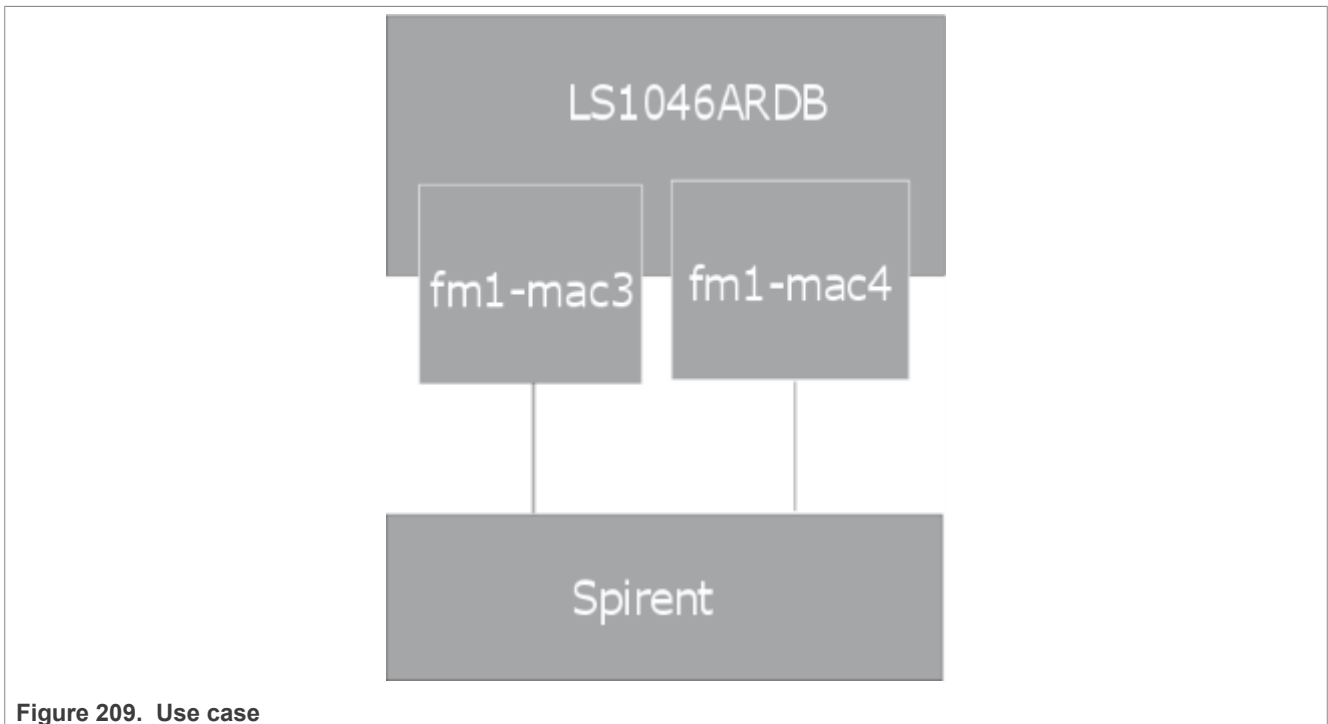


Figure 209. Use case

Figure 209 shows an NXP LS1046ARDB board connected to a packet generator (Spirent). The example uses Spirent as packet generator, however, any other source of controlled packet transmission can also be used.

Figure 209 uses `fm1-mac3` and `fm1-mac4` interfaces for demonstration. Any other interface can also be used after updating the commands described in the next section accordingly.

8.2.14.1.2 Steps to run VSP mode

To run DPAA in VSP mode:

1. Flash the board using Layerscape LDP images.
2. Reboot the board and set dtb as `fs1-ls1046a-rdb-usdpaa-shared.dtb` on the bank from which board is being booted and boot up the board.
3. Cleanup the current fmc configuration:

```
$ fmc -x
```

4. Set the Ethernet ports to be used:

```
$ ifconfig fm1-mac3 <valid ip address>
$ ifconfig fm1-mac4 <valid ip address>
```

5. Set up hugepages:

```
$ mkdir /dev/hugepages
$ mount -t hugetlbfs hugetlbfs /dev/hugepages
$ echo 512 > /proc/sys/vm/nr_hugepages
```

6. Set up VSP fmc configuration:

```
$ fmc -c /usr/share/dpdk/dpaa/usdpaa_config_ls1046_shared_24g.xml -p /usr/share/dpdk/dpaa/usdpaa_policy_24g_classif_udp_ipsec_lqueue.xml -a
```

7. Run `12fwd` application:

```
$ dpdk-12fwd -c 0x3 -n 1 -- -p 0x3
```

Now DPDK will handle UDP or ESP traffic, and kernel will handle rest of the traffic.

Send following packet streams from the packet generator (in this case, Spirent):

1. Packets sent to `fm1-mac3`
 - a. UDP traffic: IPv4 packet with Protocol ID field (next protocol) = 0x11 (hex) or 17 (decimal); Size greater than 82 bytes.
 - b. IPv4 traffic: IPv4 packet with Protocol ID field (next protocol) = 253 (Experimental); Size greater than or equal to 64 bytes.
2. Packets sent to `fm1-mac4`
 - a. UDP traffic: IPv4 packet with Protocol ID field (next protocol) = 0x11 (hex) or 17 (decimal); Size greater than 82 bytes.
 - b. IPv4 traffic: IPv4 packet with Protocol ID field (next protocol) = 253 (Experimental); Size greater than or equal to 64 bytes.

8.2.14.1.3 Expected results

All traffic with Experimental Protocol set in IPv4 header is sent to Linux Kernel network stack and is available on the Ethernet interface (`fm1-mac3/4`). Applications, such as `tcp_dump` can demonstrate the packets coming in. All the other traffic is visible in the packet generator reflected by the `12fwd` application.

8.2.14.2 Traffic bifurcation using DPSW on DPAA2

8.2.14.2.1 DPSW in dprc.2

When the DPSW is in dprc.2, the DPAA2 object is controlled by DPDK. Therefore, any setup required, for example adding FDB addresses, is configured using DPDK. Steps to configure the setup are same as DPDMUX, you only need to replace DPDMUX with DPSW. For more details, see [Section 8.2.14.3](#).

8.2.14.2.2 DPSW in dprc.1

When the DPSW is in dprc.1, it is driven by the Linux kernel driver. Linux kernel driver uses the switchdev kernel framework and exposes an interface for each switch port. In Linux, no switching happens if the interfaces are not added to the same bridge. So, once the ports are added to the bridge interface, DPDK application works when DPSW is in dprc.1.

1. Create a DPNI for assigning to Linux kernel.

```
ls-addni --no-link
Output log:
Created interface: eth0 (object:dpni.1, endpoint: )
```

2. Create DPRC with DPNI attached.

```
source /usr/share/dpdk/dpaa2/dynamic_dpl.sh dpni
(...)
##### Configured Interfaces #####
Interface Name Endpoint Mac Address
=====
dpni.3 UNCONNECTED 00:00:00:00:5:1
```

Note: The *dpni.X* naming is dynamically generated by the *ls-addni* command and the *dynamic_dpl.sh* script. In case, they are different from what is described in this section, corresponding changes should be done in the commands below.

3. Using the restool wrapper script, create a DPSW connected to the two DPNI's and a DPMAC.

```
ls-addsw dpni.1 dpni.3 dpmac.1
Created ETHSW object dpsw.0 with the following 3 ports: eth2,eth3,eth4
```

Note: To display the DPNI's and DPMACs available, use the *ls-listni* command. For all the script options and parameters, see the help using command *ls-addsw -h*

4. Configure the switch interfaces and add them to a bridge.

```
ip link set dev eth2 down
ip link set dev eth2 address 00:00:00:00:00:02
ip link set dev eth2 up
ip link set dev eth3 down
ip link set dev eth3 address 00:00:00:00:00:03
ip link set dev eth3 up
ip link set dev eth4 down
ip link set dev eth4 address 00:00:00:00:00:04
ip link set dev eth4 up
ip link add name br0 type bridge
ip link set dev br0 up
ip link set dev eth2 master br0
ip link set dev eth3 master br0
ip link set dev eth4 master br0
```

5. Start DPNI.1 (eth0), the Linux owned DPNI.

```
ip link set dev eth0 up
ip a a 1.1.1.2/24 dev eth0
```

6. Run the DPDK application.

```
./dpdk-l3fwd -c 0x6 -n 1 -- -p 0x1 --config="(0,0,1)"
EAL: Detected 8 lcore(s)
EAL: Detected 1 NUMA nodes
EAL: Multi-process socket /var/run/dpdk/rte/mp_socket
fslmc: Skipping invalid device (power)
EAL: Selected IOVA mode 'VA'
EAL: Probing VFIO support...
EAL: VFIO support initialized
EAL: PCI device 0000:01:00.0 on NUMA socket -1
EAL: Invalid NUMA socket, default to 0
EAL: probe driver: 8086:10d3 net_e1000_em
PMD: dpni.3: netdev created
LPM or EM none selected, default LPM on
Initializing port 0 ... Creating queues: nb_rxq=1 nb_txq=2...
Address:00:00:00:00:05:01, Destination:02:00:00:00:00:00, Allocated mbuf
pool on socket 0
LPM: Adding route 198.18.0.0 / 24 (0)
LPM: Adding route 2001:200:: / 48 (0)
txq=1,0,0 txq=2,1,0
Initializing rx queues on lcore 1 ... rxq=0,0,0
Initializing rx queues on lcore 2 ...
Checking link statusdone
Port0 Link Up. Speed 1000 Mbps -full-duplex
L3FWD: lcore 2 has nothing to do
L3FWD: entering main loop on lcore 1
L3FWD: -- lcoreid=1 portid=0 rxqueueid=0
```

7. Capture the packets.

```
tcpdump -nt -i eth0 &
IP 1.1.1.0 > 2.1.1.0: ip-proto-253 26
IP 1.1.1.0 > 2.1.1.0: ip-proto-253 26
IP 1.1.1.0 > 2.1.1.0: ip-proto-253 26
IP 1.1.1.0 > 2.1.1.0: ip-proto-253 26
IP 1.1.1.0 > 2.1.1.0: ip-proto-253 26
IP 1.1.1.0 > 2.1.1.0: ip-proto-253 26
```

8.2.14.3 Traffic bifurcation using DPDMUX on DPAA2

8.2.14.3.1 Environment setup

This section uses LS2088A board as an example platform for demonstrating the use case. This use case is applicable to all DPAA2 platforms, including LS1088A and LX2160A.

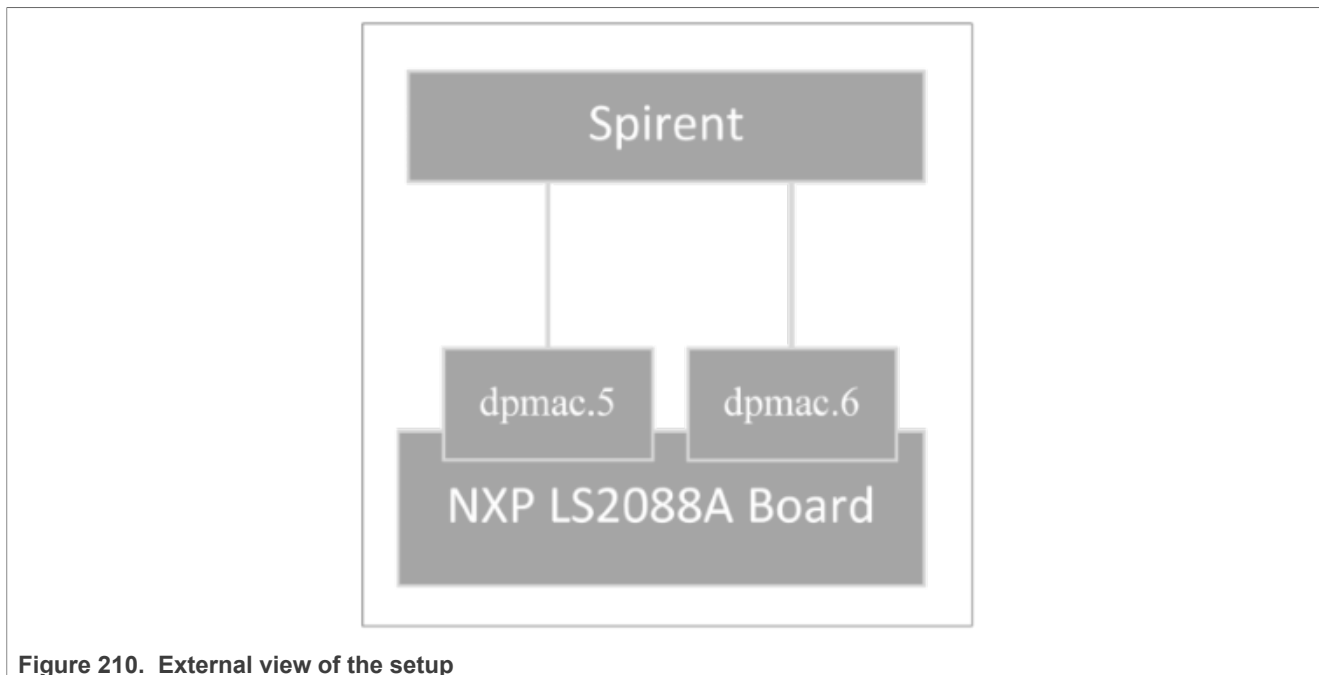


Figure 210. External view of the setup

In the above image, an NXP LS2088A board has been shown connected to a packet generator (Spirent).

Note:

- *Though the example uses Spirent as packet generator, any other source of controlled packet transmission can also be used.*
- *The image uses `dpmac.5` and `dpmac.6` interfaces for demonstration. Any other other interface can also be used - in which case, the commands described below would have to be altered accordingly.*

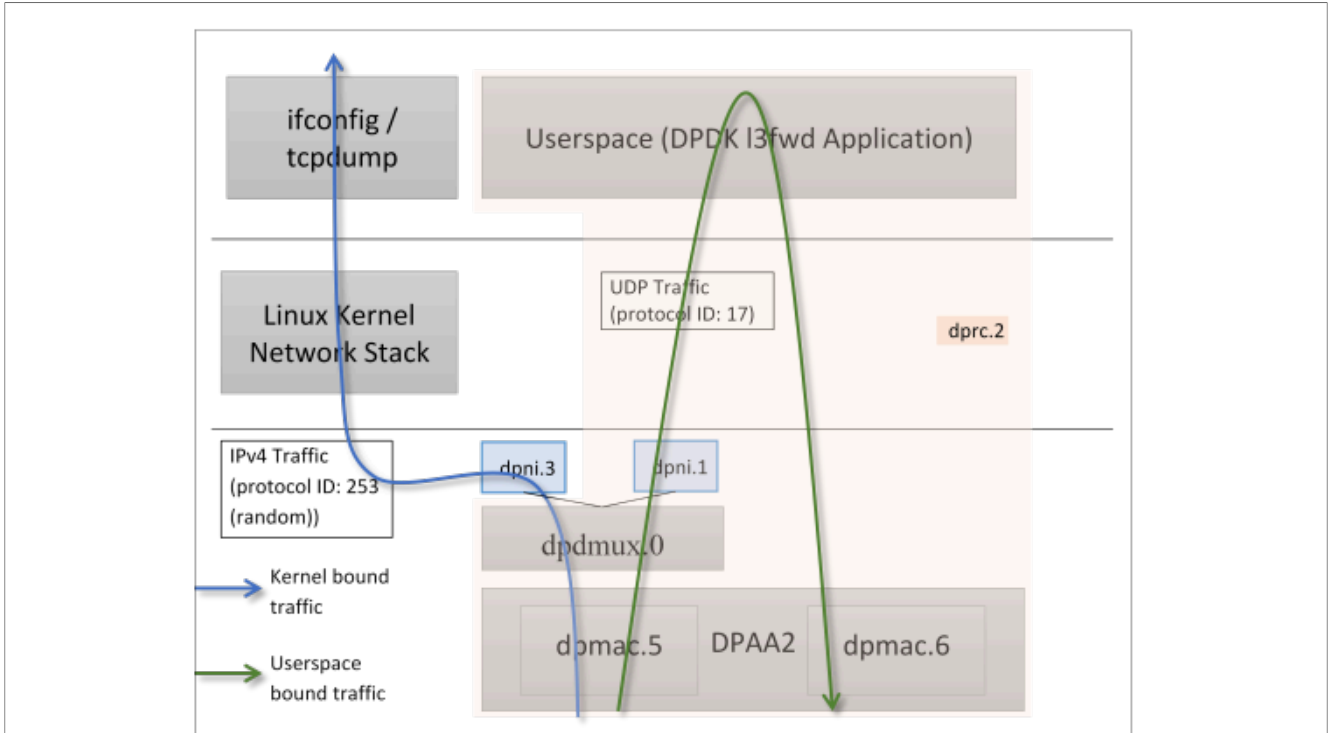


Figure 211. NXP LS2088A Internal Block for traffic bifurcation setup

In the above environment setup, a DPRC container (dprc.2) is created containing DPAA2 *dpmac.5* and *dpmac.6* interfaces. DPDMUX *dpdmux.0* is created with *dpni.1* and *dpni.3*, while *dpni.2* is connected with *dpmac.2*.

NXP LS2088A board has 8 10G links – 4 Fiber ports, and 4 Copper ports.



Figure 212. LS2088ARDB ports

On a standard Layerscape LDP configuration, these ports are represented using *dpmac.X* naming. Corresponding to the image above describing the ports, following is the naming convention:

- *dpmac.1*, *dpmac.2*, *dpmac.3* and *dpmac.4* are ETH4, ETH5, ETH6, and ETH7, respectively
- *dpmac.5*, *dpmac.6*, *dpmac.7* and *dpmac.8* are ETH0, ETH1, ETH2, and ETH3, respectively.

Following are the commands to create the above setup:

Though this section uses *dpmac.5* and *dpmac.6* as interfaces; similar setup can be created using any other ports of LS2088A (or any other DPAA2 DPDMUX supporting board). Replace *dpmac.X* in commands below with equivalent port name.

1. Create DPRC with *dpmac.5* and *dpmac.6* attached. It creates *dpni.1* and *dpni.2* internally.

```
/usr/share/dpdk/dpaa2/dynamic_dpl.sh dpmac.5 dpmac.6
```

Output log:

```
##### Container dprc.2 is created #####
Container dprc.2 have following resources :=>
```



```
* 1 DPMCP
* 16 DPBP
* 8 DPCON
* 8 DPSECI
* 2 DPNI
* 18 DPIO
* 2 DPCI
* 2 DPDMAI
##### Configured Interfaces #####
Interface Name      Endpoint          Mac Address
=====
dpni.1              dpmac.5          -Dynamic-
dpni.2              dpmac.6          -Dynamic-
```

2. Create a DPNI for assigning to Linux Kernel. This would be used for forwarding the UDP traffic.

```
ls-addni --no-link
```

Output log:

```
Created interface: eth0 (object:dpni.3, endpoint: )
```

Note:

The *dpni.X* naming which is dynamically generated by the *dynamic_dpl.sh* script and *ls-addni* command. In case they are different from what is described in this section, corresponding changes should be done in the commands below.

3. Unplug the DPRC from VFIO, create a DPDMUX, assign DPNI (dpni.1 and dpni.3) to it, and then plug the DPRC back again to VFIO so that User space application can use it. This was already in plugged state because of the *dynamic_dpl.sh* script.

```
# Unbinding dprc.2 from VFIO
echo dprc.2 > /sys/bus/fsl-mc/drivers/vfio-fsl-mc/unbind
# Remove dpni.2 from dprc.2 so that it can be assigned to dpdmux
restool dprc disconnect dprc.2 --endpoint=dpni.1
# Create dpdmux with CUSTOM flow creation; Flows would be created
# from the Userspace (DPDK) application
restool dpdmux create --default-if=1 --num-ifs=2 --method
DPDMUX_METHOD_CUSTOM --
manip=DPDMUX_MANIP_NONE --option=DPDMUX_OPT_CLS_MASK_SUPPORT --
container=dprc.1
# Create DPDMUX with two DPNI connections and one DPMAC connection
restool dprc connect dprc.1 --endpoint1=dpdmux.0.0 --endpoint2=dpmac.5
restool dprc connect dprc.1 --endpoint1=dpdmux.0.1 --endpoint2=dpni.3
restool dprc connect dprc.1 --endpoint1=dpdmux.0.2 --endpoint2=dpni.1
restool dprc assign dprc.1 --object=dpdmux.0 --child=dprc.2 --plugged=1
```

Note: The default queue has been configured as 0.1 in DPDK DPMUX driver. In the above commands, *dpni.3* has been configured to *--endpoint1=dpdmux.0.1*. Thus, all traffic which is not filtered would be sent by *dpdmux.0* to *dpni.3*. Further, the *l2fwd* application has currently configured UDP traffic (IPv4 Protocol Header field value 17) to be sent to *--endpoint1=dpdmux.0.2*, which corresponds to *dpni.1*.

```
# Bind the DPRC back to VFIO
echo dprc.2 > /sys/bus/fsl-mc/drivers/vfio-fsl-mc/bind
# Export the DPRC
export DPRC=dprc.2
```

If required, IP Address can be assigned to *eth0*, which would appear in Linux OS to represent the *dpni.3*. Thereafter, external packet generator or a device can send ICMP traffic to confirm the bifurcation of traffic.

```
root@Ubuntu:~# ifconfig eth0 10.0.0.10/24 up
root@Ubuntu:~# ifconfig eth0
eth0: flags=4163<UP,BROADCAST,RUNNING,MULTICAST> mtu 1500
```

```

inet 10.0.0.10 netmask 255.255.255.0 broadcast 10.0.0.255
inet6 fe80::dce6:feff:fe3a:e105 prefixlen 64 scopeid 0x20<link>
ether de:e6:fe:3a:e1:05 txqueuelen 1000 (Ethernet)
RX packets 0 bytes 0 (0.0 B)
RX errors 0 dropped 0 overruns 0 frame 0
TX packets 6 bytes 516 (516.0 B)
TX errors 0 dropped 0 overruns 0 carrier 0 collisions 0
root@Ubuntu:~# restool dpni info dpni.3
dpni version: 7.8
dpni id: 3
plugged state: plugged
endpoint state: 1
endpoint: dpdmux.0.1, link is up
link status: 1 - up
mac address: de:e6:fe:3a:e1:05
dpni_attr.options value is: 0

```

4. Run the l3fwd application

```

dpdk-l3fwd -c 0xF0 -n 1 -- -p 0x3 --config="(0,0,4),(1,0,5)" -P --traffic-
split-config="(2,17,2)"

```

Note:

- In the above command, `-c 0xF0` corresponds to the cores being used by the DPDK Application. In case they are different, the mask should be changed.
- Further, `--config="(0,0,4),(1,0,5)"` represents **(Port, Queue, Core)** – which should align with the core masks provided. The Port value is '0' and '1' assuming only `dpmac.5` and `dpmac.6` have been assigned to the DPRC `dprc.2`. Only single queue per device has been considered. Numbering for all elements of this tuple starts from 0.
- `--traffic-split-config`: (`type, val, mux_conn_id`): where `type` can be one of the following - 1:ETHTYPE, 2:IP_PROTO, 3:UDP_DST_PORT, 4: UDP Fragmented or GTP, 5: IP fragmented traffic with particular Protocol. The DPDMUX device would split the traffic based on the `type` of the rule such that packets having `val` value will be received on the `mux_conn_id` DPDMUX connection id (`dpdmux.0.x` where `x` is the `mux_conn_id`). `val` is not relevant in case `type` is 4 (that is, UDP Fragmented or GTP)

Output log:

```

EAL: Detected 8 lcore(s)
EAL: Probing VFIO support...
EAL: VFIO support initialized
EAL: PCI device 0000:01:00.0 on NUMA socket -1
EAL: Invalid NUMA socket, default to 0
EAL: probe driver: 8086:10d3 net_e1000_em
PMD: dpni.1: netdev created
PMD: dpni.2: netdev created
PMD: dpsec-0 cryptodev created
PMD: dpsec-1 cryptodev created
PMD: dpsec-2 cryptodev created
PMD: dpsec-3 cryptodev created
PMD: dpsec-4 cryptodev created
PMD: dpsec-5 cryptodev created
PMD: dpsec-6 cryptodev created
PMD: dpsec-7 cryptodev created
^[[6~L3FWD: Promiscuous mode selected
L3FWD: LPM or EM none selected, default LPM on
Initializing port 0 ... Creating queues: nb_rxq=1 nb_txq=4...
Address:00:00:00:00:00:01,
Destination:02:00:00:00:00:00, Allocated mbuf pool on socket 0
LPM: Adding route 0x01010100 / 24 (0)
LPM: Adding route 0x02010100 / 24 (1)

```

```
LPM: Adding route IPV6 / 48 (0)
LPM: Adding route IPV6 / 48 (1)
txq=4,0,0 txq=5,1,0 txq=6,2,0 txq=7,3,0
Initializing port 1 ... Creating queues: nb_rxq=1 nb_txq=4...
Address:DA:CA:B2:78:68:19,
Destination:02:00:00:00:00:01, Allocated mbuf pool on socket 0
txq=4,0,0 txq=5,1,0 txq=6,2,0 txq=7,3,0
Initializing rx queues on lcore 4 ... rxq=0,0,0
Initializing rx queues on lcore 5 ... rxq=1,0,0
Initializing rx queues on lcore 6 ...
Initializing rx queues on lcore 7 ...
Checking link statusdone
Port0 Link Up. Speed 1000 Mbps -full-duplex
Port1 Link Up. Speed 10000 Mbps -full-duplex
L3FWD: entering main loop on lcore 5
L3FWD: -- lcoreid=5 portid=1 rxqueueid=0
L3FWD: lcore 7 has nothing to do
L3FWD: lcore 6 has nothing to do
L3FWD: entering main loop on lcore 4
L3FWD: -- lcoreid=4 portid=0 rxqueueid=0
```

5. Send following packet streams from the Packet generator (in this case, Spirent)
 - a. Packets sent to `dpmac.5`
 - i. UDP Traffic: IPv4 Packet with Protocol ID field (next protocol) = 0x11 (hex) or 17 (decimal); Size greater than 82 bytes.
 - ii. IPv4 Only Traffic: IPv4 Traffic with any random Protocol ID (next protocol) = 253 (Experimental); Size greater than equal to 64 bytes. Src IP: 1.1.1.1; Dst IP: 2.1.1.1 (so that packets can be forwarded by l3fwd application from `dpmac.5` to `dpmac.6`).
 - b. Packets sent to `dpmac.2`
 - i. IPv4 Only Traffic: IPv4 Traffic with any random Protocol ID (next protocol) = 253 (Experimental); Size greater than equal to 64 bytes. Src IP: 2.1.1.1; Dst IP: 1.1.1.1 (so that packets can be forwarded by l3fwd application from `dpmac.6` to `dpmac.5`).

8.2.14.3.2 Expected results

Following is the expected output:

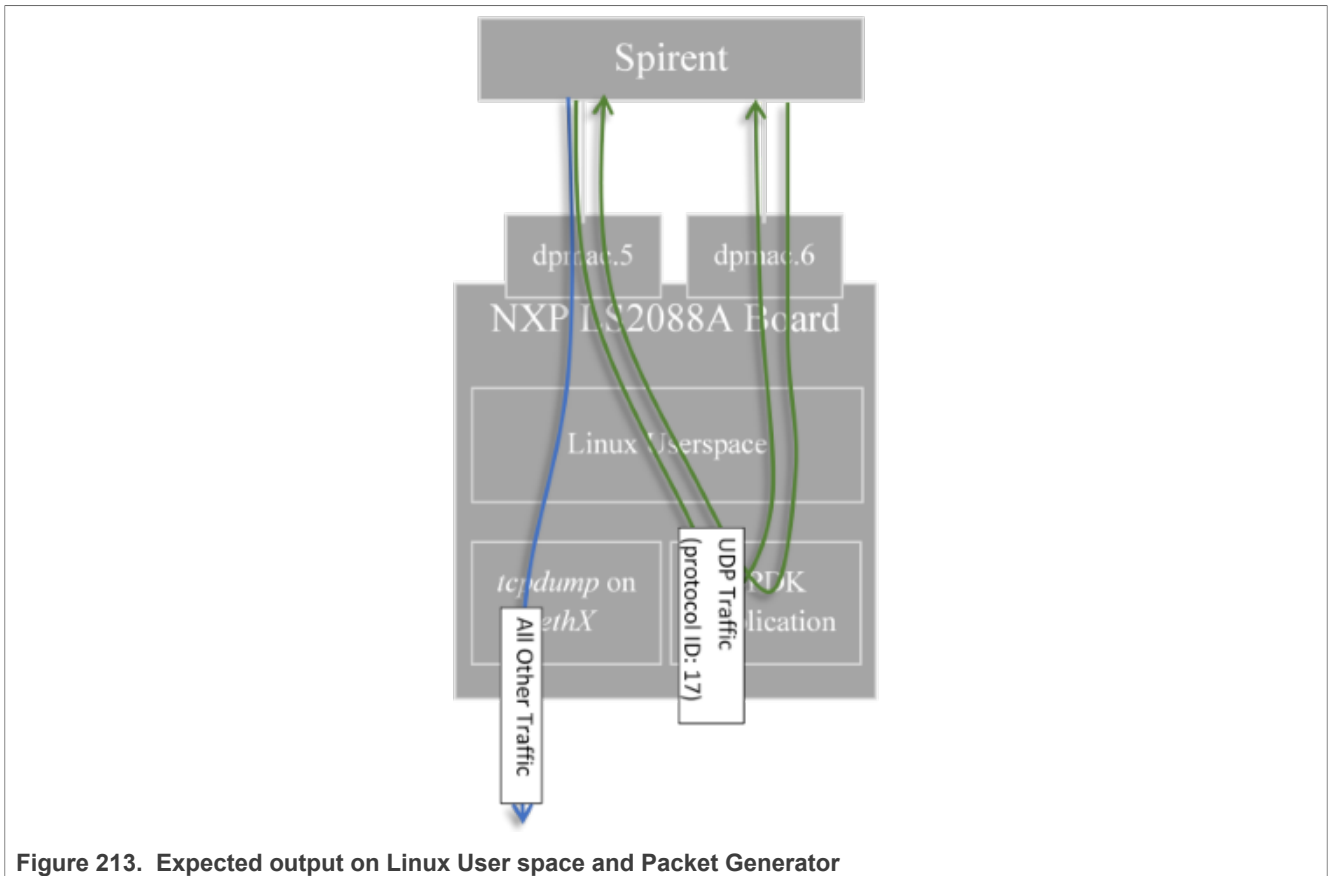


Figure 213. Expected output on Linux User space and Packet Generator

1. All traffic with UDP Protocol set in IPv4 header would be sent to Linux Kernel network stack and would be eventually available on the Ethernet interface (backed by *dpni.3*). Application like *tcpdump* would be able to demonstrate the packets coming in:

```

root@ls1028ardb:~# ifconfig
...
eth0: flags=4163<UP,BROADCAST,RUNNING,MULTICAST> mtu 1500
inet 10.0.0.10 netmask 255.255.255.0 broadcast 10.0.0.255
inet6 fe80::5885:a5ff:fe1c:76af prefixlen 64 scopeid 0x20<link>
ether 5a:85:a5:1c:76:af txqueuelen 1000 (Ethernet)
RX packets 0 bytes 0 (0.0 B)
RX errors 0 dropped 0 overruns 0 frame 0
TX packets 5 bytes 426 (426.0 B)
TX errors 0 dropped 0 overruns 0 carrier 0 collisions 0
...
tcpdump: verbose output suppressed, use -v or -vv for full protocol decode
listening on eth0, link-type EN10MB (Ethernet), capture size 262144 bytes
22:39:10.286502 IP 10.0.0.11 > Ubuntu.ls2088ardb: ip-proto-200 90
22:39:11.286385 IP 10.0.0.11 > Ubuntu.ls2088ardb: ip-proto-201 90
22:39:12.286286 IP 10.0.0.11 > Ubuntu.ls2088ardb: ip-proto-202 90
22:39:13.286172 IP 10.0.0.11 > Ubuntu.ls2088ardb: ip-proto-203 90
22:39:14.286075 IP 10.0.0.11 > Ubuntu.ls2088ardb: ip-proto-204 90
22:39:15.285958 IP 10.0.0.11 > Ubuntu.ls2088ardb: ip-proto-205 90
22:39:16.285845 IP 10.0.0.11 > Ubuntu.ls2088ardb: ip-proto-206 90
22:39:17.285757 IP 10.0.0.11 > Ubuntu.ls2088ardb: ip-proto-207 90
22:39:18.285636 IP 10.0.0.11 > Ubuntu.ls2088ardb: ip-proto-208 90
22:39:19.285541 IP 10.0.0.11 > Ubuntu.ls2088ardb: ip-proto-209 90
^C
10 packets captured
    
```

```
10 packets received by filter
0 packets dropped by kernel
root@Ubuntu:~#
```

In the above output, it can be observed that packets of different IPv4 Protocol fields are being received in Linux. (This setting can be configured in Spirent). Ubuntu.ls2088ardb refers to the local machine IP 10.0.0.10 which was configured using ifconfig.

- All other traffic would be visible in the packet generator being reflected by 'l3fwd' application. Below is the screen-grab of Wireshark output of packet captured by Spirent which were reflected by the l3fwd application:

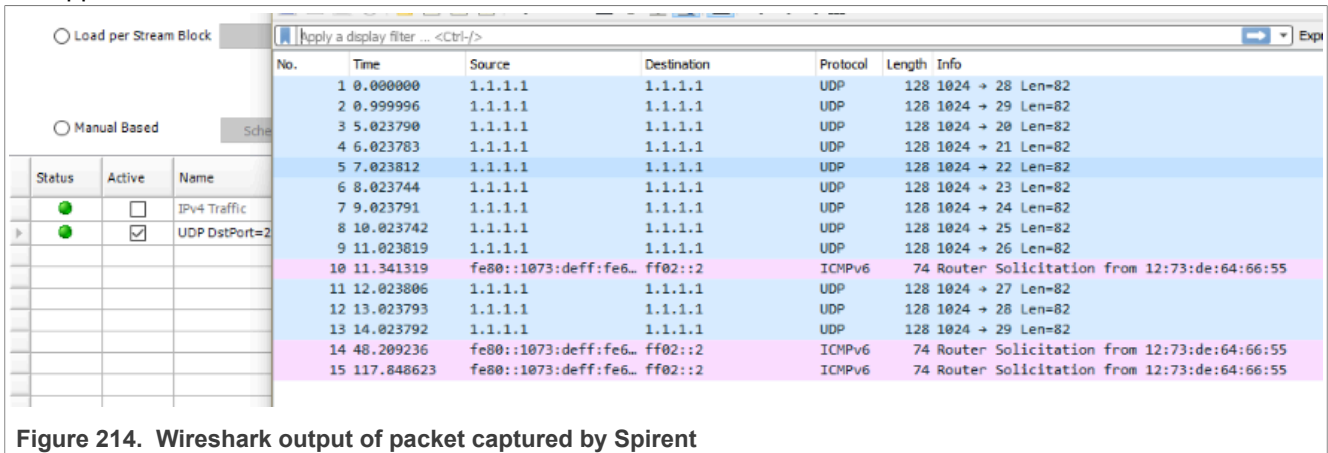


Figure 214. Wireshark output of packet captured by Spirent

8.2.14.4 DPDK multi-process

8.2.14.4.1 DPDK Multiprocess Support

Supported Platforms (and their derivatives):

- DPAA2: LS108x, LS208x, LX2160

NXP DPDK provides a set of data plane libraries and network interface controller driver for Layerscape platforms. This section provides information about multiprocess support in DPDK for NXP platforms.

- Multiprocess: In DPDK context, this is a deployment model where multiple independent processes are executed each of which can functionally behave as threads of a parent process.
- Parent/Primary Process: The first DPDK process which is run. In the DPDK multiprocess model, this process is responsible for configuration of the devices and any other common configuration to be used by the secondary processes. This process can also perform I/O on the devices. While executing the process, if `--proc-type=primary` is used as an EAL argument, the process is expected to be primary. In case this is not the first DPDK process, then this would result in error.
- Child/Secondary Process: Every next DPDK process which is started with `--proc-type=secondary` EAL argument. Another way is to add `--proc-type=auto` as EAL argument which automatically selects between primary or secondary based on order of execution.

Note: In case another instance of DPDK application is started but it is not expected to be part of a Multiprocess model (separate DPDK instance), then adequate configuration of hugepages need to be done. By default, DPDK maps all available hugepages which only be consumed by a single process, and its secondary processes.

Current implementation of NXP DPDK supports both mode on the supported platforms. The design of the application drives the mode being used.

8.2.14.4.3 Environment Setup

Note: This section is applicable for DPAA2 only.

Note: For all DPDK multiprocess use cases, disable ASLR - Address Space Layout Randomization⁸This is the default setting on various Linux distributions for preventing stack and other malicious address manipulation attacks. This works by randomizing the address-space layout of the ELF binary. This impact secondary process because the second or further process would attempt to find the same address space as the primary process (hugepage). This should be disabled using:

```
echo 0 > /proc/sys/kernel/randomize_va_space
```

DPRC or DPAA2 Resource Container contains a number of resources which need to be segregated between the primary and secondary process. Initializing all the I/O devices (dpni, dpseci, dpdmai, etc.) is done by primary - secondary process is not expected to initialize any I/O device. Only control devices like `dpio`, `dpmcp` need to be initialized by secondary for its own work.

While executing the primary or secondary processes, list of devices to blacklist (those which are not to be configured) need to be passed. Alternatively, a list of all devices which are to be configured can be passed. This list is important as overlap would result in incorrect configuration.

1. Create enough `dpmcp` devices: While creating the DPRC (through `dynamic_dpl.sh` script), create as many `dpmcp` as the number of processes (primary and secondary) expected to use the DPRC.

```
$ export DPMCP_COUNT=3 # for 1 Primary, 2 Secondary
$ ./dynamic_dpl.sh dpmac.1 dpmac.2
```

2. Create enough `dpio` devices to suffice the total number of cores being used across primary and secondary, plus one additional for each process. For example, in case primary is to be run with 2 cores, and secondary with 2 Cores, total `dpio` required are: (Total Process = 3) x (3 `dpio` per process) = 9

Note: A large number of `dpio` devices are already created in default container created by `dynamic_dpl.sh`.

```
$ export DPIO_COUNT=10 # A larger number to accommodate conf
changes
$ ./dynamic_dpl.sh dpmac.1 dpmac.2
```

Assuming that following DPRC is created:

```
$ restool dprc show dprc.2
```

```
dprc.2 contains 58 objects:
object          label          plugged-state
dpni.3          dpni.3         plugged
dpni.2          dpni.2         plugged
dpni.1          dpni.1         plugged
dpbp.16         dpbp.16        plugged
dpbp.15         dpbp.15        plugged
dpbp.14         dpbp.14        plugged
dpbp.13         dpbp.13        plugged
dpbp.12         dpbp.12        plugged
dpbp.11         dpbp.11        plugged
dpbp.10         dpbp.10        plugged
dpbp.9          dpbp.9         plugged
```

⁸ https://en.wikipedia.org/wiki/Address_space_layout_randomization

```

dpbp.8          plugged
dpbp.7          plugged
dpbp.6          plugged
dpbp.5          plugged
dpbp.4          plugged
dpbp.3          plugged
dpbp.2          plugged
dpbp.1          plugged
dpci.1          plugged
dpci.0          plugged
dpseci.7        plugged
dpseci.6        plugged
dpseci.5        plugged
dpseci.4        plugged
dpseci.3        plugged
dpseci.2        plugged
dpseci.1        plugged
dpseci.0        plugged
dpdmai.1        plugged
dpdmai.2        plugged
dpmcp.23        plugged
dpmcp.22        plugged
dpmcp.21        plugged
dpio.17         plugged
dpio.16         plugged
dpio.15         plugged
dpio.14         plugged
dpio.13         plugged
dpio.12         plugged
dpio.11         plugged
dpio.10         plugged
dpio.9          plugged
dpio.8          plugged
dpcon.8         plugged
dpcon.7         plugged
dpcon.6         plugged
dpcon.5         plugged
dpcon.4         plugged
dpcon.3         plugged
dpcon.2         plugged
dpcon.1         plugged

```

Ignore dpni, dpbp, dpci, dpseci, dpcon - as they are all configured by the primary process only. Secondary process is designed to skip them. But, dpio and dpmcp are important considerations.

3. Start primary application with EAL arguments for blacklisting

```

# Only allowing dpio.8, dpio.9, dpio.10, dpmcp.21 in primary; blacklisting
all others
$ ./primary_process -c 0x3 -b fslmc:dpio.11 -b fslmc:dpio.12 -b fslmc:dpio.13
\
    -b fslmc:dpio.14 -b fslmc:dpio.15 -b fslmc:dpio.16 -b fslmc:dpio.17 \
    -b fslmc:dpmcp.22 -b fslmc:dpmcp.23 -- <application arguments>
# Only allowing fslmc:dpio.11, fslmc:dpio.12, fslmc:dpio.13, fslmc:dpmcp.22
in secondary process 1
$ ./secondary_process1 -c 0x3 -b fslmc:dpio.8 -b fslmc:dpio.9 -b
fslmc:dpio.10 \
    -b fslmc:dpio.14 -b fslmc:dpio.15 -b fslmc:dpio.16 -b fslmc:dpio.17 \
    -b fslmc:dpmcp.21 -b fslmc:dpmcp.23 -- <application arguments>
# Only allowing fslmc:dpio.14, fslmc:dpio.15, fslmc:dpio.16, fslmc:dpmcp.23
in secondary process 2; ignoring dpio.17

```



```
$ ./secondary_process1 -c 0x3 -b fslmc:dpio.8 -b fslmc:dpio.9 -b
fslmc:dpio.10 \
-b fslmc:dpio.11 -b fslmc:dpio.12 -b fslmc:dpio.13 -b fslmc:dpio.17 \
-b fslmc:dpmcp.21 -b fslmc:dpmcp.22 -- <application arguments>
```

Note:

- In the above format `<bus>:<device>` is the way to provide the device identifier for blacklisting/whitelisting.
- Another method would be to whitelist all devices - but, that would require listing even the `dpni`, `dpci`, `dpseci`, and `dpcon` devices. That would increase the length of the argument to unmanageable lengths.

8.2.14.4.4 Executing DPDK example application

Note: This section is applicable for DPAA2 only.

Note: Applications used in the snippets below are not available on the Layerscape LDP rootfs. For standalone compilation of these applications, refer [Compiling DPDK Example Applications](#)

Note: It is important to note that before any secondary application execution, ASLR support should be disabled by using `echo 0 > /proc/sys/kernel/randomize_va_space`.

DPDK provides two sample applications which can be used for I/O using multiprocess model.

```
./examples/multi_process/symmetric_mp           # symmetric model example
./examples/multi_process/client_server_mp       # asymmetric model example
```

Some other examples are also provided from NXP which use the available hardware support in DPAA2:

```
./examples/multi_process/symmetric_mp_qdma     # symmetric model with QDMA
example
```

Detailed explanation can be seen from DPDK documentation: https://doc.dpdk.org/guides/sample_app_ug/multi_process.html

Using the same DPRC shown as sample above.

1. Executing `dpdk-symmetric_mp` with 1 Primary, 1 Secondary:

```
# Running primary process with single Core, 2 ports; assigning 1 dpmcp and 5
dpio to it.
dpdk-symmetric_mp -c 0x1 -n 1 -b fslmc:dpio.13 -b fslmc:dpio.14 -b
fslmc:dpio.15 \
-b fslmc:dpio.16 -b fslmc:dpio.17 -b fslmc:dpmcp.22 -b fslmc:dpmcp.23
\
-- -p 0x3 --num-procs=2 --proc-id=0
```

In the above, `--num-procs=2` signifies 2 processes in total. `--proc-id=0` is the identifier for the primary process.

```
# Running secondary process with single core (not overlapping with primary),
2 ports (same as primary); Assigning 1 dpmcp and 5 dpio to it. (We can
ignore the extra dpmcp preserved for 3 process, if any)
dpdk-symmetric_mp -c 0x2 -n 1 --proc-type=secondary -b fslmc:dpio.8 \
-b fslmc:dpio.9 -b fslmc:dpio.10 -b fslmc:dpio.11 -b fslmc:dpio.12 \
-b fslmc:dpmcp.21 -b fslmc:dpmcp.23 -- -p 0x3 --num-procs=2 --proc-
id=1
```

In case more than one instance of application is to be executed, similar blacklisting has to be done to distribute resources. Further, `--num-procs` and `--proc-id` too need to be changed.

Send I/O to the ports assigned to the processes and observe traffic being reflected back.

2. Executing `dpdk-client_server_mp` with 1 Primary, 1 Secondary:

This sample application has two different applications which are executed as server and client. Server process is responsible for RX from interfaces (all) and distributing to Client for TX (one queue per device).

```
# Running server (primary) process with 1 Core, 2 ports; assigning 1 dpmcp
and 5 dpio to it.
dpdk-mp_server -c 0x1 -n 1 -b fslmc:dpio.13 -b fslmc:dpio.14 -b fslmc:dpio.15
\
  -b fslmc:dpio.16 -b fslmc:dpio.17 -b fslmc:dpmcp.22 -b fslmc:dpmcp.23
\
  -- -p 0x3 -n 1

# Running client (secondary) process with 1 Core, 2 ports; assigning 1 dpmcp
and 5 dpio to it.
dpdk-mp_client -c 0x2 -n 1 --proc-type=secondary -b fslmc:dpio.8 \
  -b fslmc:dpio.9 -b fslmc:dpio.10 -b fslmc:dpio.11 -b fslmc:dpio.12 \
  -b fslmc:dpmcp.21 -b fslmc:dpmcp.23 -- -n 0
```

Send I/O to the ports assigned to the processes and observe traffic being forwarded.

3. Executing QDMA example application:

`dpdk-symmetric_mp_qdma` application is similar to `dpdk-symmetric_mp` except that the mbuf (buffer) transfers between RX and TX are done using the NXP DPAA2 QDMA (`dpdmai`) hardware block.

```
# Running primary process with single Core, 2 ports; assigning 1 dpmcp and 5
dpio, 1 dpdmai to it:
# Assuming that there are two DPDMAI objects in the DPRC: dpdmai.1 and
dpdmai.2, the command is very similar to the symmetric_mp example:
dpdk-symmetric_mp_qdma -c 0x1 -n 1 -b fslmc:dpio.13 -b fslmc:dpio.14 -b
fslmc:dpio.15 \
  -b fslmc:dpio.16 -b fslmc:dpio.17 -b fslmc:dpmcp.22 -b fslmc:dpmcp.23
\
  -b fslmc:dpdmai.1 -- -p 0x3 --num-procs=2 --proc-id=0
```

Notice the extra parameter `-b fslmc:dpdmai.1` as compared the `symmetric_mp` command. This extra parameter conveys this process to ignore the `dpdmai.1` block and use `dpdmai.2` in Primary.

```
# Running secondary process with single core (not overlapping with primary),
2 ports (same as primary); Assigning 1 dpmcp and 5 dpio, 1 dpdmai to it. (We
can ignore the extra dpmcp preserved for 3 process, if any)
dpdk-symmetric_mp_qdma -c 0x2 -n 1 --proc-type=secondary -b fslmc:dpio.8 \
  -b fslmc:dpio.9 -b fslmc:dpio.10 -b fslmc:dpio.11 -b fslmc:dpio.12 \
  -b fslmc:dpmcp.21 -b fslmc:dpmcp.23 -b fslmc:dpdmai.2 \
  -- -p 0x3 --num-procs=2 --proc-id=1
```

4. Executing `dpdk-l2fwd-crypto` example application:

`dpdk-l2fwd-crypto` is a standard DPDK crypto demonstration application, which also supports multiprocess model.

Primary differences with usual execution of `dpdk-l2fwd-crypto` are the `mp-emask` and `mp-cmask` arguments passed - signifying Ethernet ports and crypto ports, respectively, which would be used by `l2fwd-crypto` instance.

Following can be a possible primary application command, using the same DPRC as used for examples described above:

```
dpdk-l2fwd-crypto -c 0x3 -n 1 -b fslmc:dpio.13 -b fslmc:dpio.14 -b
fslmc:dpio.15 \
  -b fslmc:dpio.16 -b fslmc:dpio.17 -b fslmc:dpmcp.22 -b fslmc:dpmcp.23
\
  -- -p 0x3 -q 1 --mp-emask 0x1 --mp-cmask 0x1 --chain CIPHER_ONLY \
  --cipher_algo aes-cbc --cipher_op ENCRYPT \
```

```
--cipher_key 01:02:03:04:05:06:07:08:09:0a:0b:0c:0d:0e:0f:10 \
--cipher_iv 01:02:03:04:05:06:07:08:09:0a:0b:0c:0d:0e:0f:10
```

Secondary application can be executed like:

```
dpdk-l2fwd-crypto -c 0xc -n 1 --proc-type=secondary -b fslmc:dpio.8 \
-b fslmc:dpio.9 -b fslmc:dpio.10 -b fslmc:dpio.11 -b fslmc:dpio.12 \
-b fslmc:dpmcp.21 -b fslmc:dpmcp.23 -b fslmc:dpdmai.2 \
-- -p 0x3 -q 1 --mp-emask 0x2 --mp-cmask 0x2 --chain CIPHER_ONLY \
--cipher_algo aes-cbc --cipher_op ENCRYPT \
--cipher_key 01:02:03:04:05:06:07:08:09:0a:0b:0c:0d:0e:0f:10 \
--cipher_iv 01:02:03:04:05:06:07:08:09:0a:0b:0c:0d:0e:0f:10
```

5. Non-I/O performing applications: dpdk-pdump and dpdk-procinfo

Both, dpdk-pdump and dpdk-procinfo are examples of secondary applications can query the primary application (the first one) for information, without performing any actual I/O over the network devices. Both these are compiled as default as part of the DPDK framework, just like testpmd and can be obtained from app/ folder in the compiled output.

a. dpdk-pdump for capturing packets

Note: For PCAP support, 'libpcap' library has to be provided to DPDK during compilation. This needs to be compiled for ARM64 target.

Execute the primary application (only testpmd currently supports interfacing with dpdk-pdump):

```
dpdk-testpmd -c 0xff -n 1 -- -i --portmask=0x3 --nb-ports=2
...
# Start I/O on application
testpmd> set fwd io
testpmd> start
```

Execute the secondary application, dpdk-pdump. Just like the dpdk-symmetric_mp and other multiprocess application, isolation of DPRC resources like dpio and dpmcp needs to be done.

```
dpdk-pdump -n 1 -b fslmc:dpio.8 -b fslmc:dpio.9 -b fslmc:dpio.10 -b
fslmc:dpio.11 \ -b fslmc:dpio.12 -b fslmc:dpio.13 -b fslmc:dpio.14 -
b fslmc:dpio.15 \ -b fslmc:dpio.16 -b fslmc:dpmcp.29 --mbuf-pool-ops-
name="ring_mp_mc" \ -- --pdump "port=0,queue=*,rx-dev=./rx.pcap"
```

In the above command, port=0, ... parameters convey `dpdk-pdump` app that capture should be done on port 0 (for example, dpni.1) and packets being received on all queues queue=*. Further, all the captured packets can be dumped to a PCAP file using rx-dev=<path to pcap file> if LIBPCAP was enabled.

In the above example, only Rx'd packets are being written to PCAP. For Tx'd packets, use something similar to port=0,queue=*,tx-dev=./... where the output PCAP file is different from Rx'd packets. Both, RX and TX, options can be simultaneously provided.

Stop dpdk-pdump using Ctrl+C and copy the PCAP file for reading through external application like Wireshark

b. dpdk-procinfo for dumping application information like memory or port statistics

dpdk-procinfo is an inbuilt application which allows dumping information like memory and statistics of a running (primary) DPDK application.

Execute the primary application: (Unlike dpdk-pdump, dpdk-procinfo can be run along with any primary application):

```
dpdk-testpmd -c 0xff -n 1 -- -i --portmask=0x3 --nb-ports=2
...
# Start I/O on application
testpmd> set fwd io
testpmd> start
```

Execute the secondary application, dpdk-procinfo:

Note: It is a good practice to isolate the resources of the application (*dpio*, *dpmcp* and *dpdmai*) for all cases of secondary application. Though *dpdk-procinfo* can work without that isolation because it doesn't necessarily access device-specific data, it is a good practice to do the isolation in this case as well.

```
dpdk-procinfo -- -m
```

Above command dumps the memory layout of the primary DPDK application to the screen. There are other switches also available like *-s* which can dump the statistics.

Note:

- *dpdk-12fwd/dpdk-13fwd* in their current design are not suited for multiprocess execution and therefore, would not work with substantial modification of segregating the queues and RX/TX processing.
- For exiting the application, it is advisable to send SIGKILL to all the application. Similar to "killall <application name>". If not, all secondary should be killed first (Ctrl+C or SIGKILL) before the primary process.

8.2.14.5 Traffic Policing in DPAA

On the DPAA SoCs (like LS1043, LS1046), using the FMC tool, traffic policing can be done using simple configuration.

This is part of the Ingress Traffic Management in the FMan block which sits between the QMan and the hardware in the overall vertical block layout of DPAA. Once the frames are ingressed from WRIOP into FMan, post the Parser and Classify block, the Policer block can be configured to color (and drop) frames based on the policy. Policer blocks pass along any non-dropped frame toward the QMan through the FMan=>QMan interface. FMan supports up to 256 policy profiles.

Note: A sample XML has been added to DPDK source folder */usr/share/dpdk/dpaa/usdpaa_policy_hash_ipv4_lqueue_policer_ls1046.xml*. This section uses snippets from this file. This is ONLY applicable for LS1046A boards.

1. Define a Policer policy XML. In this example, a copy of *usdpaa_policy_hash_ipv4_lqueue_policer_ls1046.xml* has been used.

```
<policer name="policer9">
  <algorithm>rfc2698</algorithm>
  <color_mode>color_aware</color_mode>
  <CIR>5000000</CIR>
  <EIR>5500000</EIR>
  <CBS>5000000</CBS>
  <EBS>5500000</EBS>
  <unit>packet</unit>
  <action condition="on-red" type="drop"/>
</policer>
```

In the above configuration, a [RFC2698 \(Two Rate Three Color Marker\)](#) policer has been defined. This policy is based on 2 token buckets representing two rates - **PIR/EIR** or Peak/Exceed Information Rate and **CIR** or Committed Information Rate - and 3 colors - Red, Yellow and Green. Based on the information configured above for **CBS** (Committed Burst Size) and **EBS** (Peak/Exceed Burst Size), streams are marked as being colored for one of the 3 colors.

Note: Based on the standard *trTCM* (Three Color Marker), *CIR* is rate of filling the committed bucket and *CBS* being its initial size, *EIR* is the rate of filling the exceed bucket and *EBS* being its initial size. Thus, in case a flow of packets is received which exceeds the *EIR*, it would be marked as Red; else if it exceeds *CIR* but below *EIR*, it would be marked Yellow; otherwise Green.

The configuration above has following elements:

- *policer* name is the name of the Policer which would be used for assigning to the distribution policy records

- `algorithm` which has to be defined to `rfc2968`, or `rfc4115` for trTCM for differentiated services or `pass-through` to disable policing (default)
- `color_mode` which can be set to either of `color_aware` or `color_blind`. `color_aware` uses the pre-colored information, if any, to make decisions, while `color_blind` ignores the existing color information.
- CIR, EIR - for Committed Information Rate and Exceed Information Rate, respectively. Metric for this is defined by `unit` per second (explained below).
- CBS, EBS - for Committed Burst Size and Exceed Burst Size, respectively. Metric for this is defined by `unit` per second (explained below).
- `unit` - defines the metric for all the four configuration parameters, namely CIR, CBS, EIR, EBS. For information rate, it would be `unit/second` whereas for burst size it would be `unit`.

2. Apply the policy to one or more distribution policies:

```
<distribution name="hash_ipv4_src_dst_dist9">
  <queue count="1" base="0xd00"/>
  <key>
    <fieldref name="ipv4.src"/>
    <fieldref name="ipv4.dst"/>
  </key>
  <action type="policer" name="policer9"/>
</distribution>
```

3. Apply the policy file using the FMC tool

```
root@LS1046ARDB:~# fmc -x
root@LS1046ARDB:~# fmc -c /usr/share/dpdk/dpaa/usdpaa_config_ls1046.xml -p /
usr/share/dpdk/dpaa/usdpaa_policy_hash_ipv4_1queue_policer_ls1046.xml -a
```

Perform I/O hereafter to see the effect of policing being implemented.

8.2.14.6 Precision Time Protocol (IEEE1588)

The Precision Time Protocol (PTP) is a protocol used to synchronize clock throughout a computer network. PTP was originally defined in IEEE1588-2002 standard.

To test `ptpclient` functionality in DPDK, one can use DPDK example application “`ptpclient`” present in DPDK source code. `ptpclient` application uses DPDK IEEE1588 API to communicate with a PTP master clock to synchronize the time on NIC and, optionally, on the Linux system.

Note: `ptpclient` application is based on assumption that it is single-threaded and it always works in slave mode.

8.2.14.6.1 Supported platforms

PTP is supported for DPAA2 and DPAA1 based family of SoCs.

8.2.14.6.2 Build procedure

1. By default, IEEE1588 is kept disabled in DPDK config file. To enable, set 'CONFIG_RTE_LIBRTE_IEEE1588' as `true` in `config/arm/meson.build` file.
2. By default, kernel is using software time-stamps on DPAA1 platform. While using the `ptp` server application in HW mode, it may fail to create a clock.
To enable HW time-stamps, enable `CONFIG_FSL_DPAA_1588` flag in kernel config and re-compile the kernel image.
3. Build DPDK using steps mentioned in [Section 8.2.3](#) section.
4. 'dpdk-ptpclient' executable will be generated in `arm64-build/examples` directory.

8.2.14.6.3 Test setup and prerequisite to test with ptpclient

dpdk-ptpclient test application works in slave mode. It can be tested with ptp4l test application running in Linux on another machine in master mode.

Two machines are required to be connected back-to-back:

- **Tester Machine:** to run ptp4l test application. ptp4l test application can be directly installed on tester machine via apt-install type commands or can be built by downloading linuxptp package.
- **DUT (Board NXP platform):** to run ptp4client test application.

DPAA2/DPAA1 port of DUT board on which ptpclient test application will be tested should be connected to one of Ethernet port of Tester Machine (Tester_port).

8.2.14.6.4 DPAA1 test procedure with ptpclient

8.2.14.6.4.1 Non-VSP mode

Tester machine

Ensure that the Tester_port is up and connected to DPAA_port (fm<x>-mac<y>) of DUT board.

For confirmation, provide a valid IP to Tester_port and ping DPAA_port.

Start ptp server on tester machine. This acts as PTP Master.

Suppose eth1 is tester_port which is connect to DUT:

```
#!/ptp4l -i eth1 -m -2
```

DUT machine

The DUT machine acts as ptp slave.

Boot the board with fsl-ls1046a-rdb-usdpaa.dtb file and on bootup, clean the fmc policy data using # fmc -x.

Perform the following steps to run the ptpclient application on DUT_port:

1. To synchronize DUT PTP Hardware clock with Tester Machine PTP Hardware clock use the command:
#dpdk-ptpclient -l 1 -n 1 -- -p 0x1 -T 0
2. To synchronize DUT PTP Hardware clock with Tester Machine PTP Hardware clock and additionally update system kernel clock, use the command:
#dpdk-ptpclient -l 1 -n 1 -- -p 0x1 -T 1
3. To verify if System kernel clock is updated, read time before and after execution of above ptpclient command using date command:
#date

8.2.14.6.4.2 VSP mode

Tester machine

Ensure that the Tester_port is up and connected to DPAA_port (fm<x>-mac<y>) of DUT board.

For confirmation, provide a valid IP to Tester_port and ping DPAA_port.

Start ptp server on tester machine. This acts as PTP Master.

Suppose eth1 is tester_port which is connect to DUT:

```
#./ptp4l -i eth1 -m -2
```

DUT machine

The DUT machine acts as ptp slave.

Boot the board

To boot the board with fsl-ls1046a-rdb-usdpaa-shared.dtb file and on kernel bootup, run the following commands:

1. To clean fmc policy data, use the command:
fmc -x
2. To provide a valid IP to DPAA_port, use the command:
ifconfig fm<x>-mac<y> <valid IP address>
3. To setup VSP fmc configuration, use the command:

```
# fmc -c /usr/share/dpdk/dpaa/usdpaa_config_ls1046_shared_24g.xml -p /usr/share/dpdk/dpaa/usdpaa_policy_vsp_24g_classif_ptp_1queue.xml -a
```

Run ptp client

To run ptpclient application on DUT_port, run the following commands:

1. To synchronize DUT PTP Hardware clock with Tester Machine PTP Hardware clock, use the command:
#dpdk-ptpclient -l 1 -n 1 -- -p 0x1 -T 0
2. To synchronize DUT PTP Hardware clock with Tester Machine PTP Hardware clock and additionally update system kernel clock, use the command:
#dpdk-ptpclient -l 1 -n 1 -- -p 0x1 -T 1
3. To verify if System kernel clock is updated, read time before and after execution of above ptpclient command using the date command:
#date

8.2.14.6.5 DPAA2 test procedure with ptpclient

1. **Tester machine:** Ensure the Tester_port is up and connected to DPAA2_port of DUT board. Confirm this by testing ping. If the tester machine is NXP DPAA2 based board and the Tester_port does not show up in ifconfig -a command, run command like below to create the interface:

```
#ls-addni dpmac.1  
Created interface: eth1 (object:dpni.0, endpoint: dpmac.1)
```

For more information on interface creation, see [Section 7.3.2.3.3](#).

Start ptp server on tester machine. This will act as PTP Master. Suppose eth1 is tester_port which is connect to DUT

```
#./ptp4l -i eth1 -m -2  
ptp4l[581.659]: selected /dev/ptp1 as PTP clock  
ptp4l[581.718]: port 1: INITIALIZING to LISTENING on INIT_COMPLETE  
ptp4l[581.718]: port 0: INITIALIZING to LISTENING on INIT_COMPLETE  
ptp4l[587.813]: port 1: LISTENING to MASTER on  
ANNOUNCE_RECEIPT_TIMEOUT_EXPIRES  
ptp4l[587.813]: selected local clock b26433.ffff.beb68c as best master
```

```
ptp41[587.813]: assuming the grand master role
```

2. **DUT machine:** This machine will act as ptp slave. Create DPRTC instance and attach DPAA2 port to DPDK using dynamic_dpl script.

```
#export DPRTC_COUNT=1
#source ./dynamic_dpl.sh dpmac.1
```

Confirm from dynamic_dps.sh output that one DPRTC object is created.

Run ptpclient application on DUT_port

- a. To synchronize DUT PTP Hardware clock with Tester Machine PTP Hardware clock

```
#dpdk-ptpclient -l 1 -n 1 -- -p 0x1 -T 0
```

- b. To synchronize DUT PTP Hardware clock with Tester Machine PTP Hardware clock and additionally update system kernel clock

```
#dpdk-ptpclient -l 1 -n 1 -- -p 0x1 -T 1
```

- c. To verify if System kernel clock is updated, read time before and after execution of above ptpclient command using date command

```
#date
```

LS2088ARDB DUT logs:

```
root@ls1028ardb:~# export DPRTC_COUNT=1
root@ls1028ardb:~# source ./dynamic_dpl.sh dpmac.5
parent - dprc.1
Creating Non nested DPRC
NEW DPRCs
dprc.1
dprc.2
Using board type as 2088
Using High Performance Buffers
##### Container dprc.2 is created #####
Container dprc.2 have following resources :=>
* 1 DPMCP
* 16 DPBP
* 8 DPCON
* 8 DPSECI
* 1 DPNI
* 18 DPIO
* 2 DPCI
* 2 DPDMAI
* 1 DPRTC
##### Configured Interfaces #####
Interface Name Endpoint Mac Address
=====
dpni.1 dpmac.5 -Dynamicroot@
localhost:~# date
Mon Jul 1 21:41:26 UTC 2019
root@ls1028ardb:~# ./ptpclient -l 1 -n 1 -- -p 0x1 -T 0
EAL: Detected 8 lcore(s)
EAL: Detected 1 NUMA nodes
EAL: Multi-process socket /var/run/dpdk/rte/mp_socket
fslmc: Skipping invalid device (power)
EAL: Probing VFIO support...
EAL: VFIO support initialized
EAL: PCI device 0000:01:00.0 on NUMA socket -1
EAL: Invalid NUMA socket, default to 0
EAL: probe driver: 8086:10d3 net_e1000_em
```



```
PMD: dpni.1: netdev created
dpaa2_net: Rx offloads non configurable - requested 0x0 ignored 0x2000
dpaa2_net: Tx offloads non configurable - requested 0x18000 ignored
0x1c000
Core 1 Waiting for SYNC packets. [Ctrl+C to quit]
Master Clock id: 32:70:3e:ff:fe:ff:a6:59
T2 - Slave Clock. 207s 560468378ns
T1 - Master Clock. 19324s 999662036ns
T3 - Slave Clock. 0s 0ns
T4 - Master Clock. 19324s 999702684ns
Delta between master and slave clocks:19221219448171ns
Comparison between Linux kernel Time and PTP:
Current PTP Time: Thu Jan 1 05:23:48 1970 780202685 ns
Current SYS Time: Mon Jul 1 21:42:10 2019 317847 ns
Delta between PTP and Linux Kernel time:-1561997901537542450ns
[Ctrl+C to quit]
root@ls1028ardb:~# date
Mon Jul 1 21:42:18 UTC 2019
root@ls1028ardb:~# ./ptpclient -l 1 -n 1 -- -p 0x1 -T 1
EAL: Detected 8 lcore(s)
EAL: Detected 1 NUMA nodes
EAL: Multi-process socket /var/run/dpdk/rte/mp_socket
fslmc: Skipping invalid device (power)
EAL: Probing VFIO support...
EAL: VFIO support initialized
EAL: PCI device 0000:01:00.0 on NUMA socket -1
EAL: Invalid NUMA socket, default to 0
EAL: probe driver: 8086:10d3 net_e1000_em
PMD: dpni.1: netdev created
dpaa2_net: Rx offloads non configurable - requested 0x0 ignored 0x2000
dpaa2_net: Tx offloads non configurable - requested 0x18000
ignored 0x1c000
Core 1 Waiting for SYNC packets. [Ctrl+C to quit]
Master Clock id: 32:70:3e:ff:fe:ff:a6:59
T2 - Slave Clock. 20845s 385135978ns
T1 - Master Clock. 19339s 999998152ns
T3 - Slave Clock. 0s 0ns
T4 - Master Clock. 19340s 23532ns
Delta between master and slave clocks:8917307442853ns
Comparison between Linux kernel Time and PTP:
Current PTP Time: Thu Jan 1 08:16:02 1970 692874689 ns
Current SYS Time: Thu Jan 1 08:16:02 1970 692915 ns
Delta between PTP and Linux Kernel time:52105ns
[Ctrl+C to quit]
root@ls1028ardb:~# date
Thu Jan 1 05:16:17 UTC 1970
root@ls1028ardb:~#
```

8.2.14.7 Traffic Management Support in DPAA2

DPDK traffic management framework add support of generic APIs for the Quality of Service (QoS) Traffic Management of Ethernet devices. It includes main features, such as hierarchical scheduling, traffic shaping, and congestion management.

For details, see [DPDK traffic management document](#).

8.2.14.7.1 Supported Features

The supported features are:

- Level0(root node), level1 (channels) and level2 (queues) in hierarchy are supported.
- Private shapers at level0 and level1 are supported.
- 8 TX queues per channel(level1 node) and maximum 15 channels per port supported.
- Both SP and WFQ scheduling mechanisms are supported on all 8 queues.
- Level0 and level2 statistics are supported.
- Congestion notification is supported.

8.2.14.7.2 Testing

DPDK dpdk-testpmd application supports traffic management functionality and same can be used to verify on DPAA2.

To test with dpdk-testpmd application, refer to [README_TM](#) file.

For command details and to know the platform capabilities, refer to [DPDK testpmd Traffic Management document](#).

8.2.14.8 Flow Control Support in DPAA2

The default distribution among the RX queues on the DPAA2 platform is RSS. DPAA2 also supports flow APIs to control RX traffic. The RX traffic can be distributed between the queues based on various rules and parameters. For example, Packet type, source IP, destination IP, and UDP/TCP port value. For detail steps to enable distribution using flow APIs, see [README_FLOW_CONTROL](#).

8.3 Vector Packet Processing (VPP)

This section describes the VPP v22.02 support with DPDK v21.11-qoriq. It can be used as additional component on Layerscape LDP.

8.3.1 Introduction

The Vector Packet Processing (VPP) platform is an extensible framework that provides out-of-the-box production quality switch/router functionality. It is the open source version of VPP technology: a high performance, packet-processing stack that can run on commodity CPUs. The benefits of this implementation of VPP are its high performance, proven technology, its modularity and flexibility, and rich feature set. It is a modular design. The framework allows anyone to "plug in" new graph nodes without the need to change core/ kernel code.

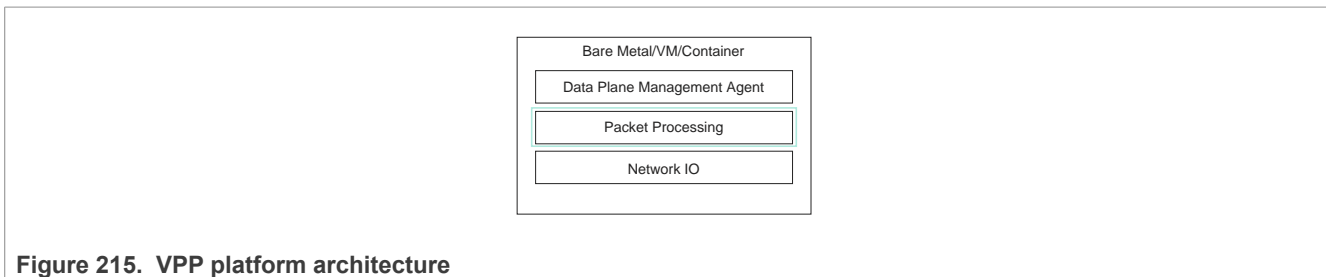


Figure 215. VPP platform architecture

VPP reads the largest available vector of packets from the network IO layer.

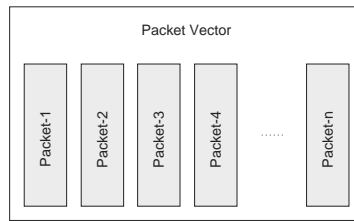


Figure 216. Packet vector

VPP then processes the vector of packets through a Packet Processing graph.

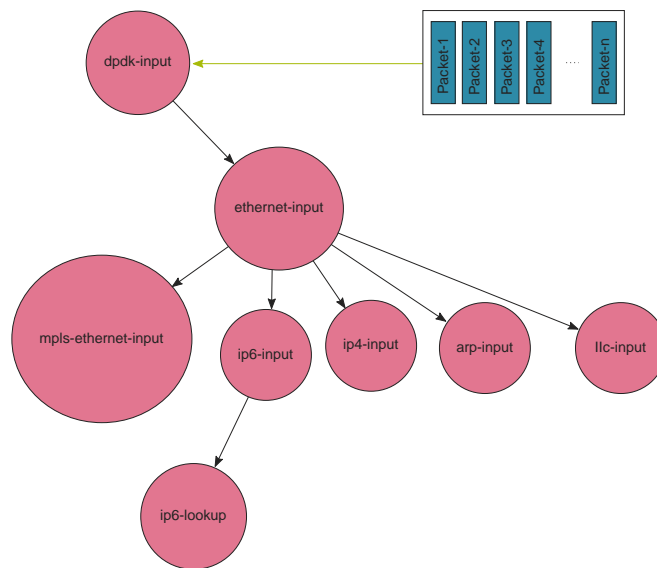


Figure 217. Packet processing graph

Rather than processing the first packet through the whole graph, and then the second packet through the whole graph, VPP instead processes the entire vector of packets through a graph node before moving on to the next graph node.

Because the first packet in the vector warms up the instruction cache, the remaining packets tend to be processed at extreme performance. The fixed costs of processing the vector of packets are amortized across the entire vector. This leads not only to very high performance, but also statistically reliable performance. If VPP falls a little behind, the next vector contains more packets, and therefore the fixed costs are amortized over a larger number of packets, bringing down the average processing cost per packet, causing the system to catch up. As a result, throughput and latency are very stable. If multiple cores are available, the graph scheduler can schedule (vector, graph node) pairs to different cores.

The graph node architecture of VPP also makes for easy extensibility. You can build an independent binary plugin for VPP from a separate source code base (you need only the headers). Plugins are loaded from the plugin directory. A plugin for VPP can rearrange the packet graph and introduce new graph nodes. This allows new features to be introduced via the plugin, without needing to change the core infrastructure code.

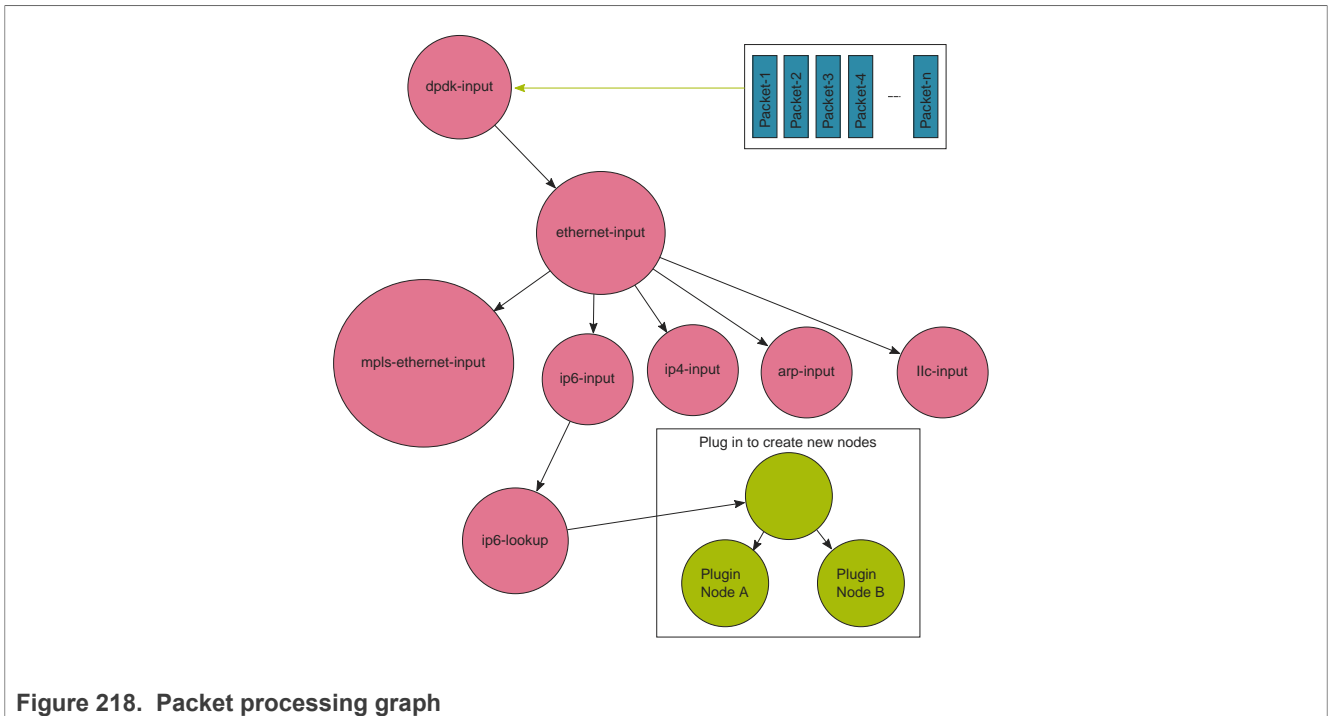


Figure 218. Packet processing graph

For more details see, <https://wiki.fd.io/view/VPP>.

8.3.2 Supported platform

VPP supports LS1043A, LS1046A, LS1088A, LS2088A, and LX2160A family of SoCs. This section details the architectural and port layout of their Reference Design Boards.

VPP v22.02 Upstream + NXP Patches is supported by this Layerscape LDP release.

Refer to the following for board-specific information:

- [LS1043A Reference Design Board](#)
- [LS1046A Reference Design Board](#)
- [LS1088A Reference Design Board](#)
- [LS2088A Reference Design Board](#)
- [LX2160A Reference Design Board](#)

8.3.3 Supported use cases

- vRouter: VPP as virtual router
- vSwitch: VPP as virtual switch
- VPP Cross-connect
- IPsec: VPP can perform the IPsec in DPDK OpenSSL crypto driver mode.

8.3.4 Build VPP

8.3.4.1 Standalone build steps

This section details steps required to build VPP in a standalone environment.

Prerequisites before compiling VPP

Before compiling VPP as a standalone build, following dependencies need to be resolved independently:

1. DPDK libraries required for packets processing. For more details on DPDK compilation, see [Section 8.2.3.2.3](#). It is required to add `-Dc_args="-g -Ofast -fPIC -ftls-model=local-dynamic"` in DPDK compilation command to make DPDK libraries compatible with VPP. Following is example DPDK compilation command

```
meson arm64-build --cross-file config/arm/arm64_dpaa_linux_gcc -Dexamples=all
-Dc_args="-g -Ofast -fPIC -ftls-model=local-dynamic" -Dprefix=/path/to/dpdk/
dpdk_lib_install -Ddefault_library=static -Doptimization=3
ninja -C arm64-build install
```

2. OpenSSL libraries.
Example to build openssl (tag: OpenSSL_1_1_1k):

```
export CROSS_COMPILE=/path/to/gcc-linaro-7.5.0-2019.12-x86_64_aarch64-linux-
gnu/bin/aarch64-linux-gnu-
mkdir openssl_lib_install
./Configure linux-aarch64 --prefix=/path/to/openssl/openssl_lib_install
shared
make depend
make
make install
export PKG_CONFIG_PATH=openssl_lib_install/lib/pkgconfig:$PKG_CONFIG_PATH
```

VPP compilation

```
git clone https://github.com/nxp-qorIQ/vpp.git
git checkout
-b <local_branch_name> <release_tag> # Replace "<local_branch_name/release_tag>"
with Layerscape LDP release tag specific information
export DPDK_PATH=<DPDK installed path>
export CROSS_TOOLCHAIN= <Path to Toolchain>
export CROSS_SYSROOT= <Path
to sysroot directory>(Optional)
export CROSS_PREFIX=aarch64-linux-gnu
export PLATFORM=dpaa
export PATH=<toolchain path>/bin:<toolchain path>/aarch64-linuxgnu/bin:$PATH
export OPENSSL_PATH=<openssl lib path>
export NUMA_PATH=<numa
lib path>
cd vpp
make install-dep
cd build-root
make distclean
make PLATFORM=dpaa TAG=dpaa vpp-package-deb V=0
```

After compilation, some deb packages are generated in `vpp/build-root` directory. Copy all the `*.deb` packages to the `/usr/share/vpp` directory in rootfs.

8.3.4.2 Build VPP using Yocto

VPP is one of the application packages of the Yocto build system. This section details method to build VPP as a standalone package within the Yocto environment. It is assumed that the Yocto environment has already been configured before executing the commands below. For more details on using the Yocto build system, see [Download Yocto layers](#).

After the Yocto environment is set up, use the following commands to build VPP applications and libraries.

The generated files are available in the `<yocto_sdk>/bld-<Name>/tmp/work/-poky-linux/vpp/<Machine>` folder.

After the `rootfs` (root filesystem) is generated, the binaries merge into it.

```
bitbake vpp # it is assumed setup-env was run before running this command
```

For packing these binaries into the target `rootfs` using the Yocto build system, see [Build Yocto images](#). By default, the Yocto environment compiles VPP and places it in the `rootfs` when `bitbake imx-image-multimedia` is run.

Layout of VPP binaries

Single image of VPP binary supports DPAA and DPAA2 platforms. After the VPP package is installed, binaries are available in the `usr/bin/vpp` and `/usr/share/vpp` folders in the `rootfs`.

```
/usr/share/vpp # Contains the sample applications
```

At various places in this document, above binaries would be referred for representing execution as well as other information. It is assumed that execution is being done either using the `PATH` variable set, as explained above, or with absolute path to the binaries.

[Table 169](#) below depicts various VPP example applications which are available in the Yocto generated `rootfs`:

Table 169. Sample VPP applications

VPP File name or VPP Image name	Description
<code>/usr/bin/vpp</code>	VPP application binary.
<code>/etc/vpp/startup.conf</code>	VPP configuration file.
<code>/etc/vpp/README_nxp.txt</code>	README for DPAA & DPAA2 platforms.

8.3.5 Executing VPP

8.3.5.1 Setup VPP environment

Following are the steps for running VPP:

- **LS2088, LS1088A, and LX2160A board setup**

```
cd /usr/share/dpdk/dpaa2
. ./dynamic_dpl.sh dpmac.1 dpmac.2
mkdir /mnt/hugepages
mount -t hugetlbfs none /mnt/hugepages
```

- **LS1046 and LS1043 board setup:**

```
mkdir /mnt/hugepages
mount -t hugetlbfs none /mnt/hugepages
fmc -x
cd /usr/share/dpdk/dpaa
```

Run the FMC script for board-specific configuration. For example, for LS1046, run the following command:

```
fmc -c usdpaa_config_1s1046.xml -p usdpaa_poolicy_hash_ipv4_1queue.xml -a
```

Return to original working folder

```
cd -
```

Note: `<int0>` and `<int1>` in the following commands are the interface names and must be replaced with the actual interface names. Run the command `vppctl show int` after running `vpp -c /etc/vpp/startup.conf.dpkg-new` or `vpp -c /etc/vpp/startup.conf` to check the interface names. To check the associated MAC address of an interface, run the command `vppctl show hard`.

Warning: For achieving performance, `enable_performance_mode.sh` script can be executed before VPP execution. This script helps in setting VPP threads with RT priority, setting CPU governor to performance mode, and disabling any watchdog interrupts. This script is **not** recommended for production or formal environments. It might also lead to CPU hogging as I/O threads are given RT priority stalling other OS threads/services. Use with caution.

The script is available at `/usr/share/dpdk/` folder in rootfs.

8.3.5.2 Execute VPP

VPP Cross-connect:

```
vpp -c /etc/vpp/startup.conf.dpkg-new &
vppctl set interface state <int0> up
vppctl set interface state <int1> up
vppctl set interface l2 xconnect <int0> <int1>
vppctl set interface l2 xconnect <int1> <int0>
```

VPP vRouter:

```
vpp -c /etc/vpp/startup.conf.dpkg-new &
vppctl
set int ip address <int0> 1.1.1.2/16
set int ip address <int1> 2.1.1.2/16
set int state <int0> up
set int state <int1> up
set ip neighbor static <int0> 1.1.1.3 <interface mac of next hop>
set ip neighbor static <int1> 2.1.1.3 <interface mac of next hop>
ip route add 10.1.0.0/16 via 1.1.1.3 <int0>
ip route add 20.1.0.0/16 via 2.1.1.3 <int1>
set int mtu 1500 <int0>
set int mtu 1500 <int1>
```

VPP IPSec

Commands to run on board 1:

```
vpp -c /etc/vpp/startup.conf.dpkg-new &
vppctl
ipsec select backend esp 1
set interface ip address <int0> 1.1.1.2/24
set interface ip address <int1> 192.168.100.2/24
set interface state <int0> up
set interface state <int1> up
set ip neighbor static <int1> 192.168.100.3 <interface mac of next hop>
ipsec sa add 10 spi 1001 esp crypto-alg aes-cbc-128 crypto-key
4a506a794f574265564551694d653768 integ-alg sha1-96 integ-key
4339314b55523947594d6d3547666b45764e6a58 tunnel src 192.168.100.2 dst
192.168.100.3
ipsec sa add 11 spi 1002 esp crypto-alg aes-cbc-128 crypto-key
4a506a794f574265564551694d653768 integ-alg sha1-96 integ-key
4339314b55523947594d6d3547666b45764e6a58 tunnel src 192.168.100.3 dst
192.168.100.2
```

```
ipsec spd add 1
set interface ipsec spd <int1> 1
set interface promiscuous on <int0>
set interface promiscuous on <int1>
ipsec policy add spd 1 priority 10 outbound action protect sa 10 local-ip-range
  1.1.1.3 - 1.1.1.3
remote-ip-range 2.1.1.3 - 2.1.1.3
ipsec policy add spd 1 priority 10 inbound action protect sa 11 local-ip-range
  1.1.1.3 - 1.1.1.3
remote-ip-range 2.1.1.3 - 2.1.1.3
ip route add count 1 2.1.1.3/32 via 192.168.100.3 <int1>
set ip neighbor static <int0> 1.1.1.3 <interface mac of next hop>
ipsec policy add spd 1 priority 100 inbound action bypass protocol 50
ipsec policy add spd 1 priority 100 outbound action bypass protocol 50
```

Commands to run on board 2:

```
vpp -c /etc/vpp/startup.conf.d/pkg-new &
vppctl
ipsec select backend esp 1
set interface ip address <int0> 2.1.1.2/24
set interface ip address <int1> 192.168.100.3/24
set interface state <int0> up
set interface state <int1> up
set ip neighbor static <int1> 192.168.100.2 <interface mac of next hop>
ipsec sa add 20 spi 1001 esp crypto-alg aes-cbc-128 crypto-key
  4a506a794f574265564551694d653768 integ-alg sha1-96 integ-key
  4339314b55523947594d6d3547666b45764e6a58 tunnel src 192.168.100.2 dst
  192.168.100.3
ipsec sa add 21 spi 1002 esp crypto-alg aes-cbc-128 crypto-key
  4a506a794f574265564551694d653768 integ-alg sha1-96 integ-key
  4339314b55523947594d6d3547666b45764e6a58 tunnel src 192.168.100.3 dst
  192.168.100.2
ipsec spd add 1
set interface ipsec spd <int1> 1
set interface promiscuous on <int0>
set interface promiscuous on <int1>
ipsec policy add spd 1 priority 10 inbound action protect sa 20 local-ip-range
  2.1.1.3 - 2.1.1.3 remote-ip-range 1.1.1.3 - 1.1.1.3
ipsec policy add spd 1 priority 10 outbound action protect sa 21 local-ip-range
  2.1.1.3 - 2.1.1.3
remote-ip-range 1.1.1.3 - 1.1.1.3
ip route add count 1 1.1.1.3/32 via 192.168.100.2 <int1>
set ip neighbor static <int0> 2.1.1.3 <interface mac of next hop>
ipsec policy add spd 1 priority 100 inbound action bypass protocol 50
ipsec policy add spd 1 priority 100 outbound action bypass protocol 50
```

8.3.6 Known Limitations

In DPAA1 platform, only available FMC configuration files are for 1, 2, 4 queues per port.

8.4 mTCP

This section describes the mTCP support with DPDK 21.11 version.

8.4.1 Introduction

Scaling the performance of short TCP connections on multicore systems is fundamentally challenging. Although many proposals have attempted to address various shortcomings, inefficiency of the kernel implementation still persists. For example, even state-of-the-art designs spend 70% to 80% of CPU cycles in handling TCP connections in the kernel, leaving only small room for innovation in the user-level program.

This work presents mTCP, a high-performance user level TCP stack for multicore systems. mTCP addresses the inefficiencies from the ground up—from packet I/O and TCP connection management to the application interface. In addition to adopting well-known techniques, its design (1) translates multiple expensive system calls into a single shared memory reference, (2) allows efficient flow level event aggregation, and (3) performs batched packet I/O for high I/O efficiency.

8.4.2 Supported Platforms

mTCP supports LS1043A, LS1046A, LS1088A, LS2088A, and LX2160A family of SoCs. This section details the architectural and port layout of their Reference Design Boards.

Refer to the following for board-specific information:

- [LS1043A Reference Design Board](#)
- [LS1046A Reference Design Board](#)
- [LS1088A Reference Design Board](#)
- [LS2088A Reference Design Board](#)
- [LX2160A Reference Design Board](#)

8.4.3 Supported Applications

The following applications support mTCP:

- Client
- Webserver – epserver, epwget

8.4.4 Build Steps

8.4.4.1 Standalone build steps

This section details steps required to build mTCP in a standalone environment.

8.4.4.2 Prerequisites before compiling mTCP

Before compiling mTCP as a standalone build, following dependencies need to be resolved independently:

- **DPDK:** We are using DPDK for packets processing, so DPDK libraries are required for mTCP compilation. See section Standalone build of DPDK libraries and applications for DPDK compilation. Following is example DPDK compilation command:

```
meson arm64-build --cross-file config/arm/arm64_dpaa_linux_gcc -Dexamples=all -Dprefix=/path/to/dpdk/dpdk_lib_install -Ddefault_library=static -Doptimization=3
```

```
ninja -C arm64-build install
```

- **Numa:** The libnuma library offers a simple programming interface to the NUMA (Non Uniform Memory Access) policy supported by the Linux Kernel. Following are the steps to build Numa:

```
sudo apt install libtool-bin
git clone https://github.com/numactl/numactl.git
cd numactl
git checkout v2.0.13 -b v2.0.13
./autogen.sh
autoconf -i
./configure --host=aarch64-linux-gnu --prefix=<install path>
make
make install
```

- **GMP:** GMP is a library for arbitrary precision arithmetic, operating on signed integers, rational numbers, and floating-point numbers. There is no practical limit to the precision except the ones implied by the available memory in the machine GMP runs on. GMP has a rich set of functions, and the functions have a regular interface. Following are the steps to compile libgmp:

```
curl -O https://gmplib.org/download/gmp/gmp-6.2.1.tar.xz
tar Jxf gmp-6.2.1.tar.xz
export CFLAGS="-O3"
export CXXFLAGS="-O3"
cd gmp-6.2.1/
./configure --host=aarch64-linux-gnu --prefix=<install path>
make -j4
make install
```

mTCP Compilation:

```
export RTE_SDK=<DPDK base directory Path>
export CFLAGS=<path of gmp and numa header files>
export LDFLAGS=<path of gmp and numa libraries>
export CC=<Cross Compile GCC path>
./configure --host=aarch64-linux-gnu --with-dpdk-lib=<DPDK installation path>
make setup-dpdk /* Need to execute for only once */
make
```

mTCP application compilation:

```
make -C <app path>
e.g.:
```

8.4.5 Executing mTCP

Setup mTCP environment

mTCP applications works on 2 board setup. Following are the steps for running mTCP on both boards:

• LS2088, LS1088A, and LX2160A board setup

```
cd /usr/share/dpdk/dpaa2. ./dynamic_dpl.sh dpmac.1
mkdir /mnt/hugepagesmount -t hugetlbfs none /mnt/hugepages
echo 256 > /proc/sys/vm/nr_hugepages
```

• LS1046 and LS1043 board setup:

```
mkdir /mnt/hugepagesmount -t hugetlbfs none /mnt/hugepagesecho 256 > /proc/sys/
vm/nr_hugepages
fmc -x
cd /usr/share/dpdk/dpaa
```

Run the FMC script for board-specific configuration. For example, for LS1046, run the following command:

```
fmc -c usdpaa_config_ls1046.xml -p usdpaa_poolpolicy_hash_ipv4_lqueue.xml -a
```

Return to original working folder:

```
cd -
```

Prepare a setup with ethernet ports of both boards connected with each other physically.

Execute “Client” Application**Setup:****– DPAA2:**

Run the `dynamic_dpl.sh` script on both boards with at least 1 DPMAC object.

– DPAA1:

```
fmc -x
```

Execute the fmc script files on both boards.

Note: Following steps are common for both platforms and boards.

1. Connect ethernet ports of both boards with each other (back to back).

```
cd /usr/bin/mtcp/
```

2. Update the configuration of client application in file `client.conf` like port name

```
mkdir ./config
```

3. Create one route and one arp configuration file and add below information:

```
Vim config/arp.conf
```

4. Add ARP information in below format:

```
ARP_ENTRY 1
10.0.0.16/24 00:00:00:00:00:01
Vim config/route.conf
```

5. Add route information in below format:

```
ROUTES 1
10.0.0.1/24 dpni.8
```

Note: Route and ARP information can be obtained by executing the application.

Running steps:

1. On first board run below command:

```
#. ./client send <destination IP> <port> <time in seconds>
```

2. On 2nd board run below command:

```
#. ./client wait <destination IP> <port> <time in seconds>
```

Example Webservice:

Setup:

- DPAA2:
Run the `dynamic_dpl.sh` script on both boards with at least 1 DPMAC object.
- DPAA1:

```
fmc -x
```

Execute the fmc script files on both boards.

Note: Following steps are common for both platforms and boards.

1. Connect ethernet ports of both boards with each other (back to back).

```
cd /usr/bin/mtcp/
```

2. Copy `client.conf` file to `epserver.conf` on board 1:

```
cp client.conf epserver.conf
```

3. Copy `client.conf` file to `epwget.conf` on board 2:

```
cp client.conf epwget.conf
```

4. Update the port names and configuration as per the requirement.

```
mkdir ./config
```

5. Create one route and one arp configuration files and add below information:

```
Vim config/arp.conf
```

6. Add ARP information in below format:

```
ARP_ENTRY 1
10.0.0.16/24 00:00:00:00:00:01
Vim config/route.conf
```

7. Add route information in below format:

```
ROUTES 1
10.0.0.1/24 dpni.8
```

Note: Route and ARP information can be obtained by executing the application.

Running steps:

1. On first board run below command:

```
#. ./epserver -p /home/www -f epserver.conf -N 8
```

2. On 2nd board run below command:

```
#. ./epwget <IP/file name> <number of requests> -N 1 -c 8000 -f epwget.conf
```

For example:

```
./epwget 10.0.0.112/a.txt 1000000 -N 1 -c 8000 -f epwget.conf
```

Where:

-p is path of server home directory where all the files are present.

- f is configuration file name.
- N is number of cores.
- c is number of concurrent connections.
- Note:** *epwget can work only on 1 core.*

8.5 USDPAA

USDPAA is no longer supported as an API for direct customer use. All non-NXP software should use one of the standard APIs, DPDK instead of USDPAA. Some of the USDPAA software components may still exist as a layer below other software components such as DPDK, but do not assume that this will continue in future software releases.

9 Virtualization

Virtualization provides an environment that enables running multiple operating systems on a single computer system. Virtualization uses hardware and software technologies together to enable this by providing an abstraction layer between system hardware and the OS. The isolated environment in which the operating systems run is known as a *virtual machine* (or VM). The abstraction layer that manages all this is referred to as a *hypervisor* or *virtual machine manager*. The hypervisor layer operates at a privilege level higher than that of the operating systems, therefore enabling it to enforce system security, ensure that virtual machines cannot interfere with each other, and transparently provide other services such as I/O sharing to the VM.

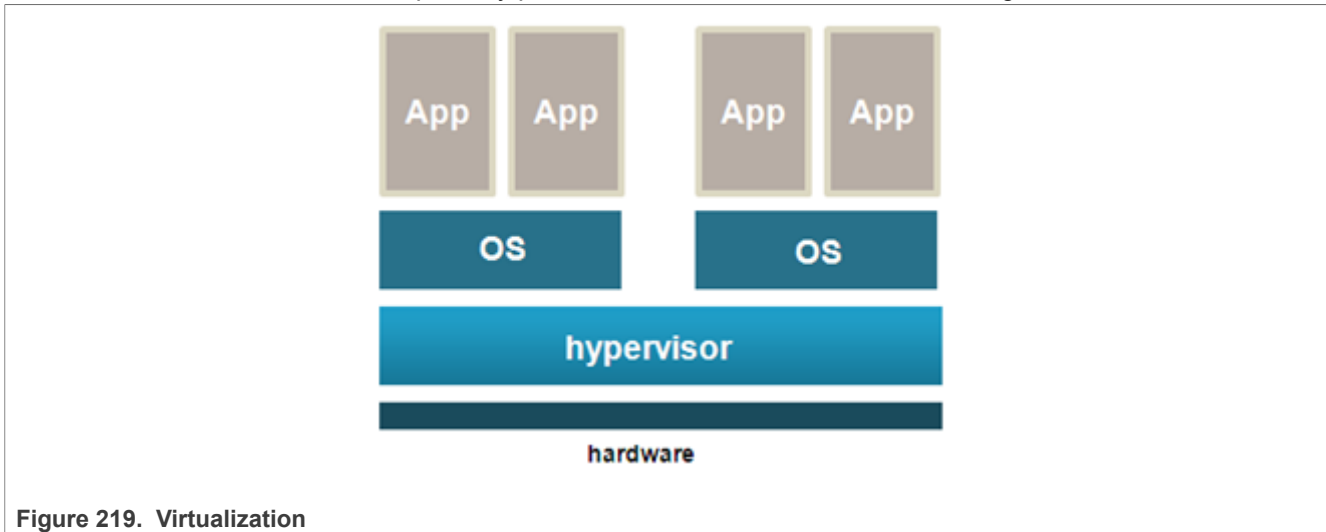


Figure 219. Virtualization

This section explains:

- KVM/QEMU
- Linux Containers (LXC) for NXP QorIQ User's Guide
- Docker Containers
- NFV OpenStack

9.1 KVM/QEMU

This document is a guide and tutorial to building and using KVM (Kernel-based Virtual Machine) on NXP QorIQ SoCs.

9.1.1 KVM/QEMU Overview

KVM is a Linux kernel driver that together with QEMU, an open source machine emulator, provides an open source virtualization platform based on Linux. KVM and QEMU together act as a virtual machine manager that can boot and run operating systems in virtual machines. See figure below:

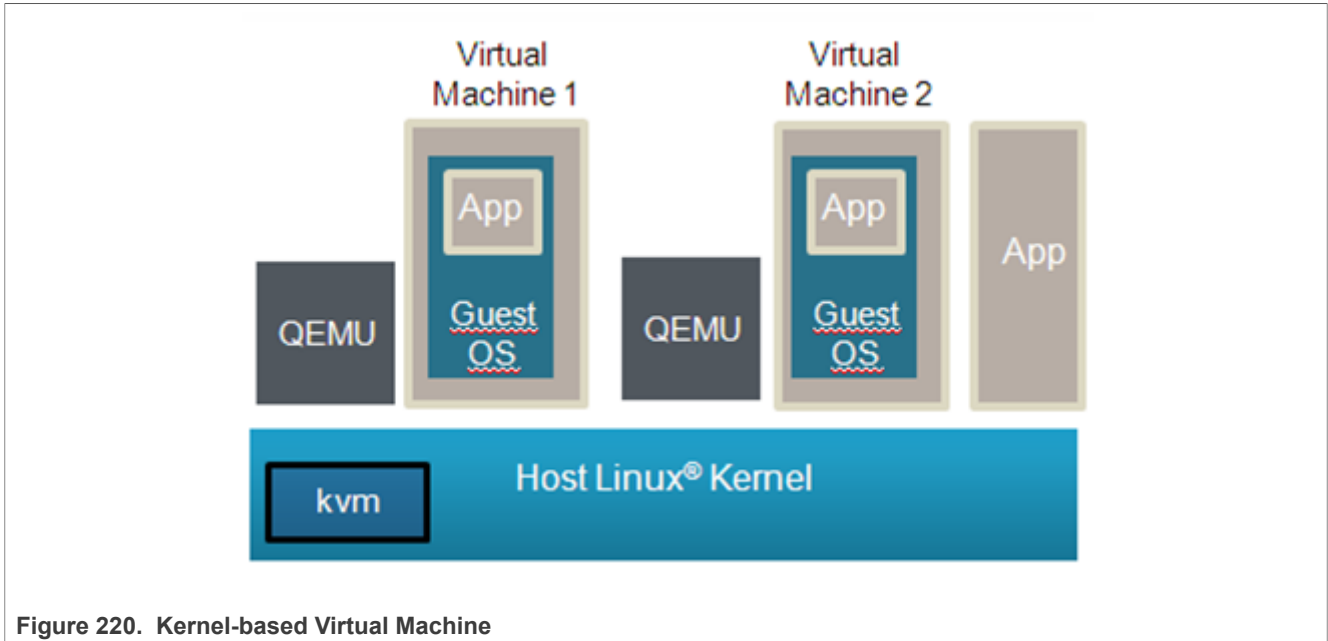


Figure 220. Kernel-based Virtual Machine

In this document, the term *host* kernel refers to the underlying instance of Linux with the KVM driver that acts as the hypervisor. The term *guest* refers to the operating system, such as Linux, that runs in a virtual machine. A virtual machine is referred to as "VM".

NXP QorIQ SoCs based on Arm v8 CPUs are supported.

9.1.1.1 Using QEMU and KVM

9.1.1.1.1 Overview of Using QEMU

QEMU is used to start virtual machines. The QEMU application is named **qemu-system-aarch64** (for 64-bit platforms).

In addition to the QEMU executable itself, the following is a list of the minimum components that must be available on the target system to launch a virtual machine using QEMU:

- The host Linux kernel on the target must be built with virtualization support for KVM enabled
- A guest OS kernel image (Image for Linux)
- A guest root filesystem (If needed by the guest OS. For example, a Linux guest requires a rootfs.)
- Recommended: A working network interface (to interface to the guest's console and the QEMU monitor)

The QEMU Emulator User Documentation [1] (see [Section 9.1.1.5](#)) contains complete documentation for all QEMU command-line arguments. The table below summarizes some of the flags and arguments for basic operation.

Table 170. QEMU command-line arguments

Argument	Descriptions
-enable-kvm	Specifies that the Linux KVM should be used for the virtual machine's CPUs.

Table 170. QEMU command-line arguments...continued

Argument	Descriptions
-nographic	Disables graphical output-console on the emulated serial port.
-M <i>machine</i>	Specifies the type of virtual machine. One value is supported: <ul style="list-style-type: none"> • virt
-smp <i>cpu_count</i>	Specifies the number of CPUs for the virtual machine. The number of virtual CPUs allowed is the same as the value of the CONFIG_NR_CPUS config option in the host Linux kernel. To see this value issue the following command from Linux on the target board: <pre>zcat /proc/config.gz grep NR_CPUS</pre>
-kernel <i>file</i>	Specifies the guest OS image. The supported image types are in <i>Image</i> format (the generic Linux kernel binary image file) and <i>zImage</i> (a compressed version of the Linux kernel image).
-initrd <i>file</i>	Specifies a root filesystem image.
-append <i>cmdline</i>	Use <i>cmdline</i> as the guest OS kernel command-line (passed in the bootargs property of the /chosen node in the guest device tree).
-serial <i>dev</i>	Redirects the virtual serial port to the host device <i>dev</i> . QEMU supports many possible host devices. Refer to the QEMU User Documentation [1] (see Section 9.1.1.5) for complete details. Note: If using a TCP device with the server option, QEMU will wait for a connection to the device before continuing unless the nowait option is used.
-m <i>megs</i>	Specifies the size of the VM's RAM in megabytes. This option is ignored if using direct mapped memory. See Section 9.1.1.2 for further details on options for allocating memory.
-mem-path <i>path</i>	Specifies the path to a file from which to allocate memory for the virtual machine. This option should be used to allocate memory from hugetlbfs. See Section 9.1.1.2 for further details on options for allocating memory.
-monitor <i>dev</i>	Redirects the QEMU monitor to the host device <i>dev</i> . QEMU supports many possible host devices. See the QEMU User Documentation [1] (see Section 9.1.1.5) for complete details. Note: if using a tcp device with the server option QEMU will wait for a connection to the device before continuing unless the nowait option is used.
-S	Do not start CPU at startup (you must type 'c' in the monitor). This can be useful if debugging.
-gdb <i>dev</i>	Wait for gdb connection on device <i>dev</i> .
-drive [<i>args</i>]	Used to create a virtual disk in a virtual machine. See Section 9.1.1.4 for additional information.
-netdev [<i>args</i>] -device virtio-net-device [<i>args</i>]	The -netdev and -device virtio-net-device arguments specify the network backend and front end for creating virtual network devices in virtual machines. See Section 9.1.1.3 for additional information.
-cpu <i>model</i>	Select CPU model. Only one model is supported: <ul style="list-style-type: none"> • host

Below is an example command-line a user would run from the host Linux to start virt virtual machine booting a Linux guest:

```
qemu-system-aarch64 -smp 8 -m 1024 -cpu host -machine type=virt,gic-version=3
-kernel /boot/Image -enable-kvm -display none -serial tcp::4446,server,telnet
-drive if=none,file=/root/ls-image-main-<board>.ext4, -kernel /root/Image,
id=foo,format=raw -device virtio-blk-device,drive=foo -append 'root=/dev/vda rw
console=ttyAMA0 rootwait earlyprintk' -monitor stdio
```

9.1.1.1.2 Virtual Machine Memory

QEMU allocates and loads images into a VM's memory prior to starting the VM. The amount of memory needed for a virtual machine depends on the workload to be run in the VM. There are two ways to allocate memory:

1. Allocation via hugetlbfs

Hugetlbfs is a Linux mechanism that allows applications to allocate memory backed large physically contiguous regions of memory. QEMU can take advantage of hugetlbfs for allocation of memory for virtual machines, which can provide a significant performance improvement over malloc allocated memory. Hugetlbfs allocated memory provides the flexibility of memory that can be allocated and freed with performance comparable to direct mapped memory.

The **-mem-path** argument to QEMU specifies the path to the hugetlbfs mount point where the huge pages should be allocated from.

The **-m** argument to QEMU specifies the amount of memory to allocate to the virtual machine. There are no constraints on the size passed to this argument other than that the amount of memory must fit within the constraints of the system and be enough for the workload in the VM.

See the how-to article [Section 9.1.3.2](#) for an example of how to use hugetlbfs.

2. Allocation via malloc

The default for QEMU is to allocate guest memory by the standard malloc facility available to user space applications in Linux. The amount of memory is specified with the **-m** command-line argument. Malloc'ed memory has the flexibility of being allocated and freed by QEMU as needed. However, malloc'ed memory is backed by 4 KB physical pages that are not contiguous and emulation is required by KVM to present a contiguous guest physical memory region to the VM. This approach is discouraged since the emulation can result in a substantial performance penalty for certain workloads.

The guest device tree generated by QEMU contains a memory node that specifies the total amount of memory.

Note: A virtual machine's memory is part of the address space of the QEMU process. This means that the amount of memory allocated to a VM is limited by the standard limits that exist for Linux processes.

9.1.1.1.3 Virtual network interfaces

QEMU provides a number of options for creating virtual network interfaces in virtual machines. Virtual network interfaces are specified using the QEMU command-line and guest software sees them as memory mapped devices.

There are two aspects of virtual network interfaces with QEMU:

1. The network "front-end", which is the network card as seen by the guest. This is specified with the **-device** QEMU argument. The argument to specify a virtio network front end would look like: **-device virtio-net-pci**
2. The network "backend", which connects the network card to some network. Network backend options include user mode networking, a host TAP interface, sockets, or virtual distributed Ethernet. The network backend is specified using the **-netdev** command-line argument of QEMU. Note: It is possible to connect two virtual machines using virtual network interfaces. Normally QEMU user space process emulates I/O accesses from the guest. However, there is an in-kernel implementation: *vhost-net* which puts the data plane emulation code into the kernel.

For example, to use a virtio NIC card with a TAP interface back-end the QEMU command-line argument would look like:

```
-netdev tap,id=tap0,script=/root/qemu-ifup -device virtio-net-pci,netdev=tap0
```

The script “/root/qemu-ifup” is a script that QEMU invokes and passes the TAP interface name as an argument. For example, the script could add the TAP interface to an Ethernet bridge.

See the QEMU Users Manual [1] (see [Section 9.1.1.5](#)) for detailed information about command-line options and the types of network interfaces and backends. For best performance, the virtio front-end is recommended.

For additional information about QEMU networking, see the references in [Section 9.1.1.6](#).

For a detailed example, see the how-to article [Section 9.1.3.3](#).

9.1.1.1.4 Virtual block devices

There are a number of approaches to provide a virtual disk to a KVM/QEMU virtual machine. A guest disk image can be a single raw file on the host filesystem, a file in a virtual disk format such as qcow2 and vdi, or a block device on the host Linux system. The virtual disk is assigned on the QEMU command-line. In the example below, the file **my_guest_disk** is a disk image and is assigned to the VM when QEMU is launched: `-drive file=my_guest_disk,cache=none,if=virtio`

Refer to the QEMU Users manual [1] (see [Section 9.1.1.5](#)) for details on the types of virtual disk images that may be created and the related arguments to QEMU.

QEMU allows for various storing caching attributes to be set for the guest. The cache option is specified with `cache=` property. The following options are supported:

- `writethrough`: The host page cache is used, but the data is written to the physical device. This mode ensures data integrity.
- `writeback`: This is the default mode (when the cache property is missing). The host page cache is used, the normal page cache management handles the write to the storage device.
- `none`: The host page cache is bypassed, the guests writes go directly to the storage device. The storage device may have a write cache.
- `directsync`: The host page cache is bypassed and the data is written to the physical device.
- `unsafe`: The flush commands to ensure the data integrity is ignored.

For a detailed example, see How to use **Virtual Disks Using Virtio**.

9.1.1.1.5 Direct assigned devices

9.1.1.1.5.1 VFIO - Virtual Function I/O

The VFIO is a Linux user space driver infrastructure, an IOMMU/device agnostic framework for exposing direct device access from user space. For the highest possible I/O performance, virtual machines make use of direct device access, also called *device assignment*. From a host and device perspective, the VFIO framework turns the virtual machines - QEMU - into a user space driver, with the benefits of significantly reduced latency and direct use of device drivers.

The VFIO framework provides:

- device access
- IOMMU programming interface
- high performance interrupt support

Furthermore, the VFIO framework supports several bus infrastructures, such as PCI, platform devices and also the LS2 MC bus. In the following paragraphs, both PCI and LS2 MC bus infrastructure support is presented.

9.1.1.1.5.2 VFIO PCI

The VFIO driver abstracts PCI devices as regions and IRQs. The *regions* component includes the PCI configuration space, MMIO and I/O port BAR spaces, and MMIO PCI ROM access, while the *IRQs* include INTx, legacy interrupts, but also Message Signaled Interrupts.

You can follow the Control path, Data path, and IRQ path through a VFIO PCI infrastructure in the below image. Also, more information on how to use the PCI Direct Assignment feature can be found in [Section 9.1.3.9](#).

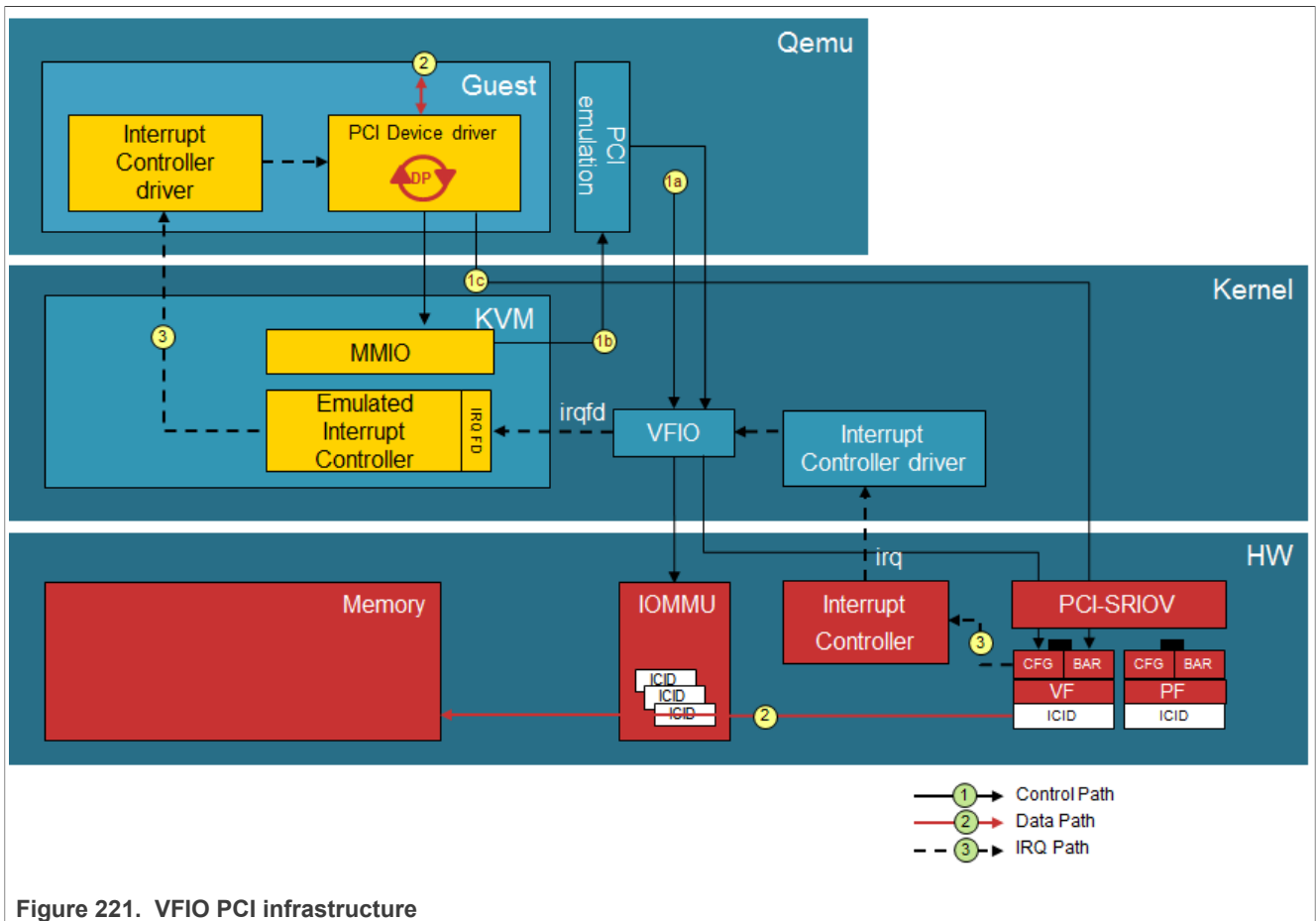


Figure 221. VFIO PCI infrastructure

9.1.1.1.5.3 VFIO for LS2 MC Bus

The DPAA2 architecture works with the concept of MC containers - DPRCs. From the point of view of the OS, a DPRC behaves similar to a plug and play bus, such as PCI. DPRC commands can be used to enumerate the contents of the DPRC and discover the hardware objects present (including mappable regions and interrupts). The VFIO infrastructure for the FSL MC Bus can be found below:

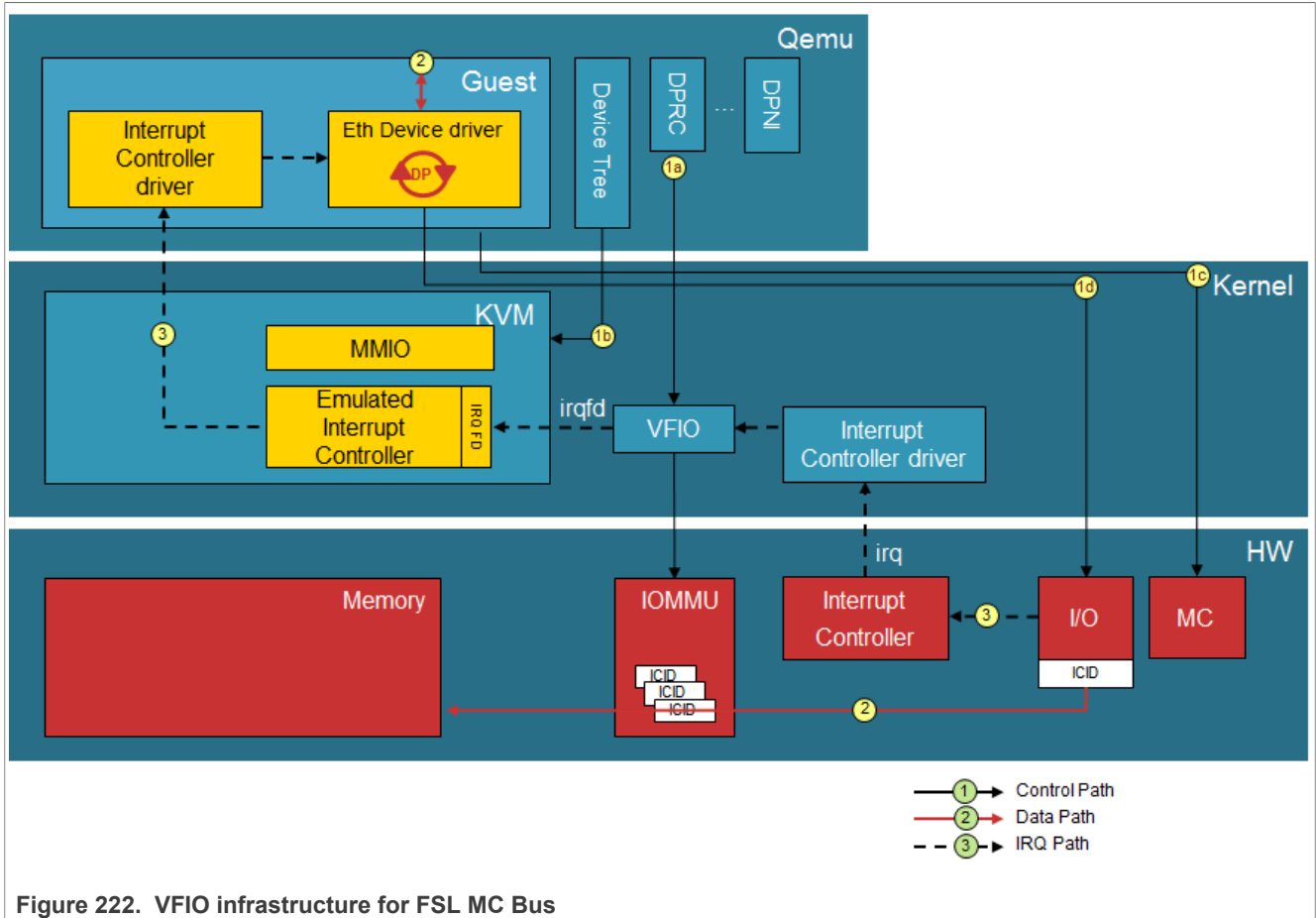


Figure 222. VFIO infrastructure for FSL MC Bus

The root container always belongs to the Linux host, while any child container can be assigned to user-space applications such as DPDK or virtual machines - QEMU. In the context of *direct device assignment*, this means that any DPAA2 object that needs to be made available to a guest VM should be placed in a child container and, furthermore, the child container should be bound to the VFIO FSL MC driver. You can find more on how to use this feature in [Section 9.1.3.7](#).

9.1.1.1.6 VMs and the Linux Scheduler

Each virtual machine appears to the host Linux as a process with each virtual CPU in the VM implemented as a thread. A VM appears as an instance of QEMU when looking at Linux processes as can be seen in the example below:

```

$ ps -ef
      o
      o
root   1333      1  0 Oct01 ttyS0 00:00:00      -sh
root   1336      2  0 08:24 ?          00:00:00      [kworker/u4:2]
root   1372    1333 18 08:27 ttyS0   00:00:17      qemu-system-aarch64  -
enable-kvm -m
root   1361    1304  0 08:28 ?          00:00:00      sshd: root@pts/0
root   1363    1361  0 08:28 pts/0    00:00:00      -sh
      o
      o
    
```

CPUs appear as threads. To see thread IDs use the `info cpus` command in the QEMU monitor. Example of a VM with 8 virtual CPUs:

```
(qemu) info cpus
* CPU #0: thread_id=1984
  CPU #1: (halted) thread_id=1985
  CPU #2: (halted) thread_id=1986
  CPU #3: (halted) thread_id=1987
  CPU #4: (halted) thread_id=1988
  CPU #5: (halted) thread_id=1989
  CPU #6: (halted) thread_id=1990
  CPU #7: (halted) thread_id=1991
```

To see the QEMU threads using the `ps` command:

```
root@ls_machine:~# ps -eL | grep qemu
1981 1981 ttyS1 00:00:00 qemu-system-aar
1981 1982 ttyS1 00:00:00 qemu-system-aar
1981 1983 ttyS1 00:00:00 qemu-system-aar
1981 1984 ttyS1 00:00:00 qemu-system-aar
1981 1985 ttyS1 00:00:00 qemu-system-aar
1981 1986 ttyS1 00:00:00 qemu-system-aar
1981 1987 ttyS1 00:00:00 qemu-system-aar
1981 1988 ttyS1 00:00:00 qemu-system-aar
1981 1989 ttyS1 00:00:00 qemu-system-aar
1981 1990 ttyS1 00:00:00 qemu-system-aar
1981 1991 ttyS1 00:00:00 qemu-system-aar
```

Being a Linux thread means that standard Linux mechanisms can be used to control aspects of how the threads are scheduled relative to other threads/processes. These mechanisms include:

- process priority
- CPU affinity
- `isolcpus`
- `cgroups`

9.1.1.2 Virtual Machine Overview

A guest OS running in a KVM/QEMU virtual machine "sees" a hardware environment similar to running on a physical board. The guest sees CPUs, memory, and a number of I/O devices. Some aspects of this environment are virtualized (emulated in software by KVM/QEMU) but this virtualization is mostly transparent to the guest, and changes to the guest are typically not required to run in a virtual machine.

The number of virtual machines that can be run simultaneously is only limited by the amount of available resources (like any other application on Linux).

KVM/QEMU implements a generic virt machine which is described completely by the device tree. The virtual machine contains the following resources:

- one or more Arm-v8 virtual CPUs
- memory
- virtual console based on an emulated PL011
- virtio over PCI (used for virtual devices such as block and network devices)
- Arm Virtual Generic Interrupt Controller
- Arm virtual timer and counter

9.1.1.3 Introduction to KVM and QEMU

QEMU (pronounced KYOO-em-yoo) is a software-based machine emulator that emulates a variety of CPUs and hardware systems. KVM is a Linux kernel device driver that provides virtual CPU services to QEMU. The two software components work together as a virtual machine manager.

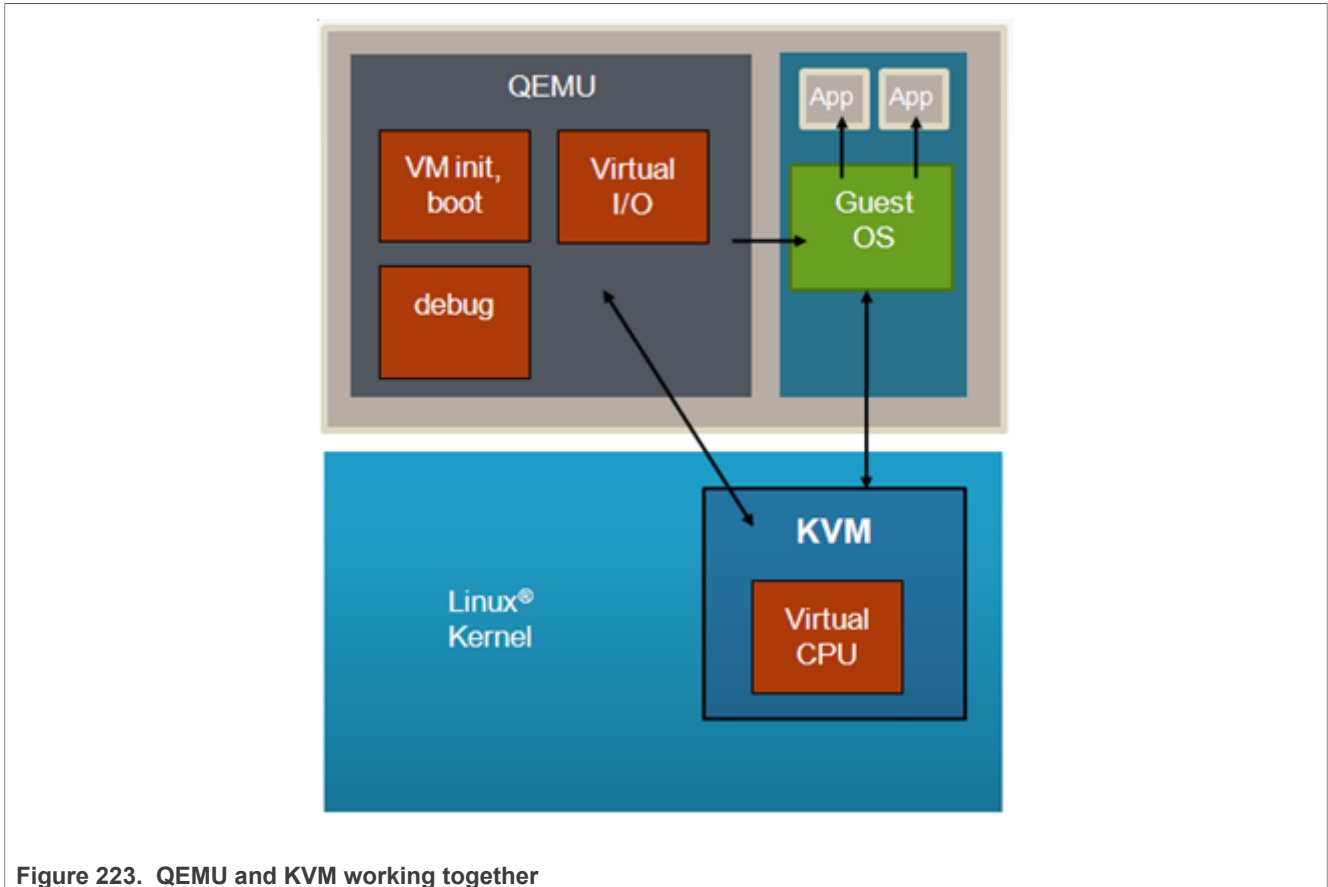


Figure 223. QEMU and KVM working together

QEMU is a Linux user-space application that runs on the host Linux instance and is used to start and manage a virtual machine. QEMU provides the following:

- A command-line interface that provides extensive customization and configuration of a virtual machine when it is started-- for example, type of VM, which images to load, and how virtual devices are configured
- Loading of all images needed by the guest-- e.g kernel images, root filesystem, guest device tree
- Setting the initial state of the VM and booting the guest
- Virtual I/O services, such as virtual network interfaces and virtual disks
- Debug services-which provide the capability to debug a guest OS using GDB (similar to a virtual JTAG)

KVM is a device driver in the Linux kernel whose key role in the VM architecture is to provide virtual CPU services. These services involve two aspects:

1. First, KVM provides an API set that QEMU uses to set and get the state of virtual CPUs and run them. For example, QEMU sets the initial values of the CPU's registers before starting the VM.
2. Second, after KVM starts a guest OS, certain operations (such as privileged instructions) performed by the OS cause an exception (or exit) into the host Linux kernel that must be handled and processed by KVM. This handling of traps is referred to as "emulation". These traps are transparent to the guest.

The KVM API is documented in the Linux kernel-- Documentation/virtual/kvm/api.txt.

KVM/QEMU supports virtual I/O which allows sharing of physical I/O devices by multiple VMs. Virtual network and block I/O are supported. See [Section 9.1.1.6](#) for references that provide additional information on virtio.

9.1.1.4 Device Tree Overview

A device tree is a data structure that describes hardware resources such as CPUs, memory, and I/O devices. A device tree aware OS is passed a device tree, which it reads to determine what hardware resources are available.

The host Linux kernel is booted first by a bootloader, for example, U-Boot (an open source bootloader). U-Boot passes the kernel a **hardware** device tree that lists and describes all system hardware resources available to the host kernel (CPUs/cores, memory, interrupt controller, and I/O).

Similarly, when a guest OS is booted in a KVM/QEMU virtual machine, QEMU passes it a **guest** device tree that describes all the hardware resources in the VM. See figure below.

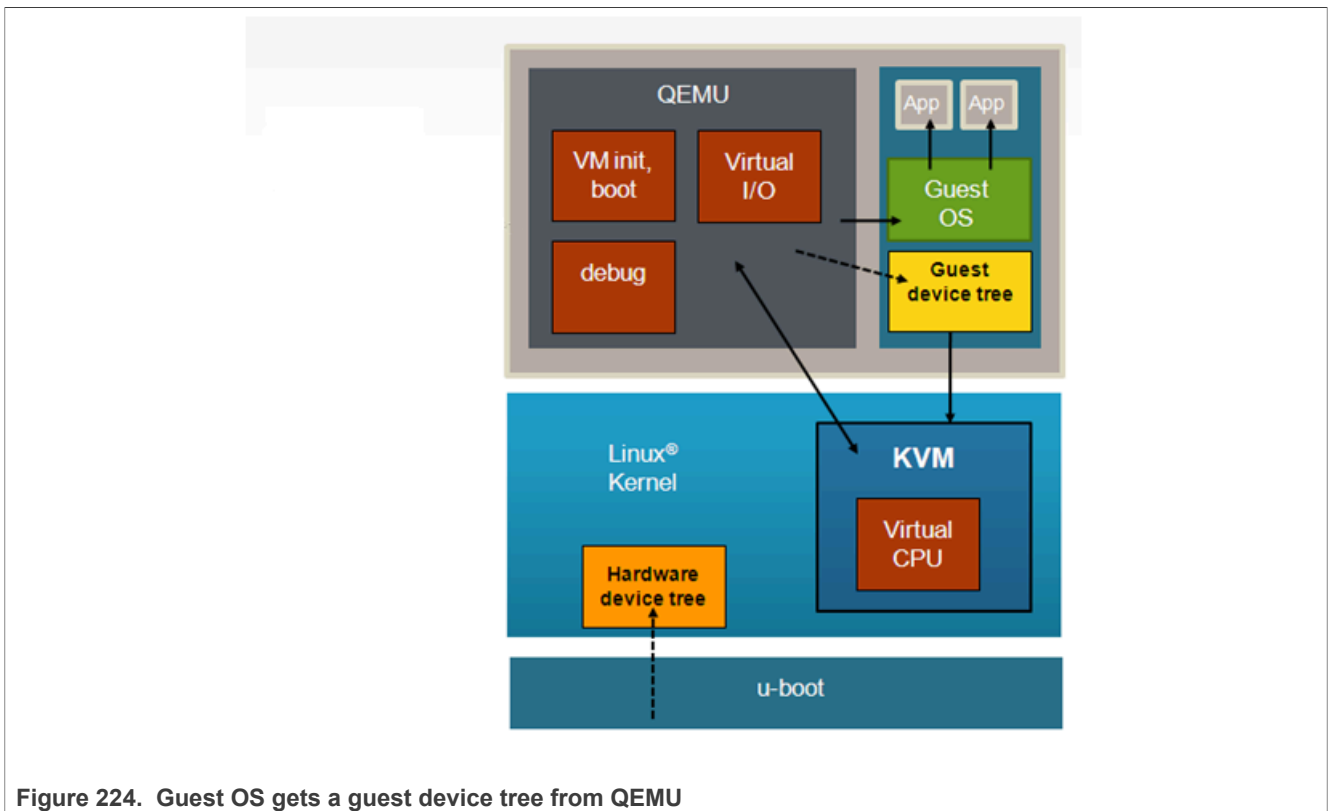


Figure 224. Guest OS gets a guest device tree from QEMU

The guest device tree is generated by QEMU and is used to define the resources a virtual machine will see. The guest device tree defines CPUs, memory, and I/O devices. QEMU places the guest device tree in the virtual machine's memory prior to starting the virtual machine.

9.1.1.5 References

- [1] QEMU Emulator User Documentation: <https://qemu.weilnetz.de/doc/4.2/qemu-doc.html>
- [2] The Linux usage model for device tree data: <https://www.kernel.org/doc/Documentation/devicetree/usage-model.txt>
- [3] Specification for virtio devices: <http://docs.oasis-open.org/virtio/virtio/v1.0/csprd01/virtio-v1.0-csprd01.pdf>

9.1.1.6 For More Information

KVM

- KVM website: <http://www.linux-kvm.org>
- Arm VM specification: <http://lwn.net/Articles/589122/>
- Supporting KVM on Arm architecture: <http://lwn.net/Articles/557132/>

QEMU

- QEMU website: <http://www.qemu.org>

Device Trees

- devicetree.org website: <http://devicetree.org>
- DTC, the device tree compiler is available at: <https://git.kernel.org/pub/scm/utils/dtc/dtc.git>. DTC also includes a library called libfdt which can be used by software to parse device trees.

Virtio-- a framework for doing virtual I/O using KVM/QEMU

- <http://www.ibm.com/developerworks/linux/library/l-virtio/>
- <http://ozlabs.org/~rusty/virtio-spec/virtio-paper.pdf>
- <http://docs.oasis-open.org/virtio/virtio/v1.0/csprd01/virtio-v1.0-csprd01.pdf>

Virtual Networking with QEMU

- <http://wiki.qemu.org/Documentation/Networking>
- <http://www.linux-kvm.org/page/Networking>

9.1.1.7 Virtual machine reference

9.1.1.7.1 VM Overview

The architecture of KVM/QEMU is such that few changes are required in the guest software to run in a VM, that is a full virtualization approach is used, which means that virtual CPUs and virtual I/O devices behave like the physical hardware they are emulating.

However, there are some differences between virtual machines and native hardware that should be considered when targeting an OS to a KVM virtual machine. These differences can be divided into 2 general categories that are discussed in further detail in this section:

1. Initial state and boot
2. CPUs

9.1.1.7.2 Memory Map of Virtual I/O Devices

The virt virtual machine contains a small subset of the devices found on a SoC. The available devices are represented in the device tree passed to the guest at boot (for example, virtual interrupt controller, virtual PCIe controller).

9.1.1.7.3 Virtual machine state at initialization

9.1.1.7.3.1 Initial State and Boot

When booting the Host, kernel is entered into the EL2 privilege level for ARMv8. After the boot, the kernel uses a stub to install KVM and switches back to EL1. The virtual machine has no virtualization extensions available, so the guest kernel enters in EL1 (ARMv8).

In case of a real hardware, the boot program provides some services before giving control to the OS. The necessary steps needed to be done by the bootloader are described in the kernel documentation: *Documentation/arm64/booting.txt*. In case of virtualization, KVM/QEMU makes the necessary actions to put hardware into the initial state (as seen by the guest) and also takes the role of the bootloader and makes the necessary settings.

It is recommended that a guest OS is minimally device tree aware. The libfdt library (available with the DTC tool) provides a full range of APIs to parse and manipulate device trees and makes the process of adding device tree awareness to an OS straightforward.

9.1.1.7.3.2 Initial State of Virtual CPUs

In a VM with multiple virtual CPUs, CPU #0 is the boot CPU and all other vcpus in the partition are considered secondary. The boot method for the secondary CPUs is PSCI.

The virtual CPU entry conditions comply with the entry conditions specified in *Documentation/arm64/booting.txt*.

9.1.1.7.4 Virtual CPUs

9.1.1.7.4.1 Virtual CPU Specification

Software running in a virtual machine sees a virtual CPU that emulates an ARMv8 core without virtualization extensions.

The virtual CPU type will match that of the host hardware platform.

9.1.1.7.4.2 Time in the Virtual CPU

Arm architecture has an optional extension, the generic timers, which provide:

- a counter (*physical counter*) that measures passing of time in real time
- a timer (*physical timer*) for each CPU. The timer is programmed to raise an interrupt to the CPU after a certain amount of time has passed.

The generic timers include virtualization support by introducing:

- a new counter, the *virtual counter*
- a new timer, the *virtual timer*.

This allows the virtual machine to have direct access to reading (virtual) counters and programming (virtual) timers without trapping.

KVM uses the physical timers in the host, the virtual machine access to the physical timers being disabled.

The virtual machine accesses the virtual timer and can, in this way, directly access the timer hardware without trapping to the hypervisor. However, the virtual timers do not raise virtual interrupts, but hardware interrupts which trap to the hypervisor. KVM injects a corresponding virtual interrupt into the VM when it detects that the virtual timer expired.

9.1.1.7.5 VGIC

The Arm Generic Interrupt Controller (GIC) provides hardware support for virtualization. The guest is able to mask, acknowledge, and EOI interrupts without trapping to the hypervisor. However, there is a central part of the GIC called distributor which is responsible for interrupt prioritization and distribution to each CPU which

does not provide virtualization extensions and for this part KVM provides an in-kernel emulation. Also, all the physical interrupts cannot be directly received by the guest. Instead, the KVM will program a virtual interrupt which will be raised in the guest. But, with the virtualization support in the GIC controller, when the guest is ACK-ing and EOI-ing the virtual interrupt, there is no need to trap into KVM.

QEMU/KVM provides 2 flavors of an emulated GIC:

- a GICv2 emulation which is the default option. Example command line: `-machine type=virt`
- a GICv3 emulation selected by the `gic-version` property. Example command line: `-machine type=virt,gic-version=3`. The GICv3 emulated interrupt controller is available only for platforms that have a physical GICv3 interrupt controller.

9.1.2 Configuring and Building

9.1.2.1 Overview

Linux with KVM enabled and QEMU can be built as part of the standard build process used to build the NXP Layerscape LDP.

The build instructions in the sections that follow assume a successful build/installation of the host. Refer to the Layerscape LDP documentation for the host installation steps.

By default, the QEMU package installed on the target board is the one retrieved from the Ubuntu userland sources.

9.1.2.2 Quick Start - Recommended Configuration Options

The steps below show all the recommended configuration options to enable in order to build a kernel with virtual I/O enabled with the same kernel image serving as both host and guest. The sections that follow explain these options in further detail.

Note: *The configuration options to run virtual machines are enabled by default in the Layerscape LDP. However they are listed here for reference.*

1. From the main menuconfig window, enable virtualization.

```
[*] Virtualization
```

2. In the virtualization menu, enable the following options.

```
[*] Kernel-based Virtual Machine (KVM) support
```

3. Enable network bridging.

```
Networking support --->
  Networking options --->
    <*> 802.1d Ethernet Bridging
```

4. Enable virtio PCI.

```
Device Drivers --->
  Virtio drivers --->
    <*> PCI driver for virtio devices
```

5. Enable virtio for block devices.

```
Device Drivers --->
  [*] Block devices --->
    <*> Virtio block driver
```

6. Enable virtio for network devices.

```
Device Drivers --->
[*] Network device support
[*] Network core driver support
    <*> Universal TUN/TAP device driver support
    <*> Virtio network driver
```

7. Enable vhost for virtio network devices.

```
[*] Virtualization
    <*> Host kernel accelerator for virtio net
```

8. Enable Huge TLB file support.

```
File Systems --->
    Pseudo filesystems --->
        [*] Huge TLB file system support
```

9. Enable guest serial support.

```
Device Drivers --->
    Character devices --->
        Serial drivers --->
            <*> Arm AMBA PL011 serial port support
            [*] Support for console on AMBA serial port
```

10. Enable VFIO support.

```
Device Drivers --->
    <*> VFIO Non-Privileged userspace driver framework
```

11. Enable VFIO support for QorIQ DPAA2 fsl-mc (Management Complex) devices.

```
Device Drivers --->
    <*> VFIO Non-Privileged userspace driver framework (VFIO [=y]) --->
        [*] VFIO No-IOMMU support ----
    <*> VFIO support for QorIQ DPAA2 fsl-mc bus devices
```

12. Enable support for PCI VFIO.

```
Device Drivers --->
    <*> VFIO Non-Privileged userspace driver framework (VFIO [=y]) --->
        [*] VFIO No-IOMMU support ----
    <*> VFIO support for PCI devices
```

9.1.2.3 Host Kernel: Enabling KVM

This section describes the core, basic options needed to enable KVM in the host kernel. KVM is enabled in the host kernel under the virtualization menu of the main kernel menuconfig window.

```
[*] Virtualization
```

Core KVM support is enabled as follows:

```
[*] Kernel-based Virtual Machine (KVM) support
```

9.1.2.4 Host Kernel: Enabling Virtual Networking

[Section 9.1.1.1.3](#) describes how virtual networking can be used to give each VM a virtual network interface, which shares physical network interfaces in Linux.

One common approach to configuring virtual networking is for QEMU to use a tun/tap interface bridged to a physical network interface. To do this Ethernet bridging and the kernel's tun/tap features must be enabled in the host kernel:

```
Networking support --->
    Networking options --->
        <*> 802.1d Ethernet Bridging
Device Drivers --->
    [*] Network device support
    [*] Network core driver support
        <*> Universal TUN/TAP device driver support
```

In order to enable vhost-net, the following config option should be enabled:

```
[*] Virtualization
    <*> Host kernel accelerator for virtio net
```

9.1.2.5 Host kernel: Enabling DPAA2 direct assignment

[Section 9.1.1.1.5](#) describes the mechanism used to passthrough fsl-mc bus devices to guest VMs using the VFIO framework. This section lists the Kconfig options that should be enabled in the Linux host kernel in order to support *DPAA2 Direct Assignment*.

Enable VFIO framework support

```
Device Drivers ---> <*> VFIO Non-Privileged userspace driver framework
```

Enable VFIO support for QorIQ DPAA2 fsl-mc (Management Complex) devices

```
Device Drivers ---> <*> VFIO Non-Privileged userspace driver framework (VFIO
    [=y]) ---> [*] VFIO No-IOMMU support ---- <*> VFIO support for QorIQ DPAA2 fsl-
    mc bus devices
```

Note: "VFIO No-IOMMU support" option is needed (only) for VFIO support in guest (for example, DPDK in guest user space).

9.1.2.6 Host kernel: Enabling PCIe direct assignment

[Section 9.1.1.1.5](#) describes the mechanism used to pass though PCI devices using the VFIO framework.

This section lists the required Kconfig options in the host Linux kernel in order to use the aforementioned feature.

Enable VFIO framework support

```
Device Drivers --->
    <*> VFIO Non-Privileged userspace driver framework
```

Enable support for PCI VFIO

```
Device Drivers --->
```

```
<*> VFIO Non-Privileged userspace driver framework (VFIO [=y]) --->
<*>   VFIO support for PCI devices
```

9.1.2.7 Guest kernel: Enabling console

QEMU emulates an AMBA/PL011 console.

Below the kernel configuration options are shown to enable console:

```
Device Drivers --->
  Character devices --->
    Serial drivers --->
      <*> Arm AMBA PL011 serial port support
      [*]   Support for console on AMBA serial port
```

9.1.2.8 Guest Kernel: Enabling Network and Block Virtual I/O

Virtio is a framework for doing paravirtualized I/O using QEMU/KVM. In order to support communication between guest and hypervisor, virtio uses a PCI transport protocol.

Below the kernel configuration options are shown to enable virtio-pci:

```
Device Drivers --->
  Virtio drivers --->
    <*> PCI driver for virtio devices
```

Below the kernel configuration options are shown to enable virtio drivers in the Linux kernel to support networking I/O and block (disk) I/O.

```
Device Drivers --->
  [*] Network device support
      [*] Network core driver support
          <*>   Virtio network driver
Device Drivers --->
  [*] Block devices --->
      <*>   Virtio block driver
```

9.1.2.9 Building kernel with KVM support using Yocto

To build kernel, use the following command:

```
bitbake linux-qoriq
```

If the kernel configuration needs to be changed, the custom option should be invoked and the necessary changes performed:

```
bitbake linux-qoriq -c compile -f
```

The same kernel image will be used by both guest and host.

9.1.2.10 Creating a host Linux root filesystem

Creating a Linux root filesystem is out of the scope of this document. See [Section 3.5](#) for steps to create root filesystems with `bitbake` installer script. This section describes the software components needed on the host root filesystem to use KVM/QEMU.

The host root filesystem is the filesystem booted by the host kernel. The host rootfs is distinct from a guest root filesystem which may be needed by certain guest, such as Linux.

A host root filesystem capable of running Linux as a guest needs the following components:

- Guest Linux kernel image (for example, Image)
- QEMU executable (`qemu-system-aarch64`)
- Guest root filesystem

Example host root filesystem layout with the required components to boot a Linux guest:

```
/root/Image # guest Linux kernel
/root/ls-image-main-<board>.ext4 # guest virtual disk image
```

9.1.2.11 Creating a guest Linux root filesystem

In order to run a virtual machine, a guest Linux root filesystem is needed. There are various possibilities to host a guest root filesystem: a ramdisk, a virtual disk image, a block device on the host Linux system.

Also there are multiple virtual disk formats. `qemu-img` command can be used to generate, alter and convert between various virtual disk image formats.

```
$ bitbake ls-image-main
```

The command generates a compressed rootfs:

```
ls-image-main-<board>.tar.gz
```

Extract the rootfs:

```
tar -xvzf ls-image-main-<board>.tar.gz
```

9.1.3 KVM/QEMU How-to's

9.1.3.1 Quick-start steps to build and deploy KVM

The following steps show how to build and deploy the necessary components in order to run virtual machines:

1. Build and install the Layerscape LDP on the board (for details see [Section 3](#)).
2. Build the guest virtual disk (for details see [Section 9.1.2.11](#))
3. Transfer the guest virtual image and the guest image on the host. The guest image (Image or zImage) is already in the `/boot` partition on the host system.

9.1.3.2 Quick-start steps to run KVM using Hugetlbfs

This example assumes that the host Linux kernel is booted, has a working network interface, and the following images are present in the host `root` filesystem:

Table 171. Images location

Image	Location
Guest kernel	/root/Image
Guest virtual disk	/root/ls-image-main-<board>.ext4
QEMU	/usr/bin/qemu-system-aarch64

Mount the HugeTLB filesystem on the host:

```
echo 512 > /proc/sys/vm/nr_hugepages
mkdir /mnt/hugetlbfs #any mount point can be used
mount -t hugetlbfs none /mnt/hugetlbfs/
```

This example uses 512 2M pages (2M is the default huge page size).

Start QEMU specifying the 2 MB huge page pool as the file from which to allocate memory. In this example, 512 MB of memory is allocated to the VM:

64-bit ARMv8:

```
qemu-system-aarch64 -smp 8 -m 1024 -mem-path /mnt/hugetlbfs -cpu host -
machine type=virt,gic-version=3 -kernel /root/Image -enable-kvm -display none
-serial tcp::4446,server,telnet -drive if=none,file=/root/ls-image-main-
<board>.ext4,id=foo,format=raw -device virtio-blk-device,drive=foo -append
'root=/dev/vda rw console=ttyAMA0 rootwait earlyprintk' -monitor stdio
```

Note:

- On the GICv3 capable platforms the following emulated GIC controllers can be used:
 - An emulated GICv3 interrupt controller can be used:
 - machine type=virt,gic-version=3
 - The ITS emulation is supported only with a GICv3 emulated interrupt controller.
 - An emulated GICv2 interrupt controller can be used:
 - machine type=virt
 - On the GICv2 capable platforms only an emulated GICv2 interrupt controller can be used:
 - machine type=virt
- Ensure that the /mnt/hugetlbfs folder exists and is mounted when starting QEMU.

Explanation of the command-line options:

- -smp 2: specifies the number of virtual CPUs.
- -m 512: the amount of memory for the VM
- -mem-path /mnt/hugetlbfs: allocates from hugetlbfs based memory
- -cpu host: the type of the CPU. In this case, it is the same as the host CPU
- -machine type=virt,gic-version=3: the type of the virtual machine: virt machine + an GICv3 emulated interrupt controller
- -machine type=virt: the type of the virtual machine: virt machine + an GICv2 emulated interrupt controller
- -kernel /root/Image : name of guest Linux kernel
- -enable-kvm: specifies the KVM that should be used
- -serial tcp::4446,server,telnet : provides an emulated serial port (telnet server) on port 4446 on the host Linux system.
The default behavior for QEMU is to wait until the user connects to this port before booting the VM.
- -drive if=none,file=/root/ls-image-main-<board>.ext4,id=foo,format=raw -device virtio-blk-device,drive=foo: creates a virtio based virtual disk (for details see [Section 9.1.1.1.4](#))

- `-append 'root=/dev/vda rw console=ttyAMA0 rootwait earlyprintk':` guest Linux boot args
- `-display none:` do not display video output
- `-monitor stdio:` start QEMU monitor

At this point, QEMU is waiting for a telnet connection to the virtual machine console (port 4446 of the target board) prior to starting the virtual machine.

Connect to QEMU through telnet and start the virtual machine booting. In this example, the target board has IP address 192.168.4.100

```
root@ls1028ardb:~# telnet 192.168.4.100 4446
```

9.1.3.3 How to Use Virtual Network Interfaces Using Virtio

As discussed in [Section 9.1.1.1.3](#), there are two aspects of virtual network interfaces-- 1) the "front end" (the device as seen by the guest OS) and 2) the "backend" (the means by the virtual device is connected to the network).

This example uses a "virtio" model NIC card and a tap network backend. The virtual network interface is bridged via a TAP interface to the physical network. The guest OS is Linux.

When starting QEMU, add the following arguments to create the virtual network interface:

```
-netdev tap,id=tap0,script=/home/root/qemu-ifup,downscript=no,ifname="tap0" -  
device virtio-net-pci,netdev=tap0
```

Perform the following steps:

1. Enable virtio networking in the host and guest Linux kernels.
2. On the host Linux create a bridge to the physical network interface to be used by the virtual network interface in the virtual machine using the `brctl` command. In this example, the physical interface being used is `eth2`:

```
brctl addbr br0  
ifconfig br0 192.168.3.30 netmask 255.255.248.0  
ifconfig eth2 0.0.0.0  
brctl addif br0 eth2
```

3. Create a `qemu-ifup` script on the host Linux system. For the TAP backend type, when QEMU creates the virtual network interface it invokes a user-created script that allows customization of how the TAP interface is to be handled. The name of the TAP interface created by QEMU is passed as an argument. In this example, the TAP interface is bridged to the bridge created in step #2. See the example `qemu-ifup` script below:

```
#!/bin/sh  
# TAP interface will be passed in $1  
bridge=br0  
guest_device=$1  
ifconfig $guest_device 0.0.0.0 up  
brctl addif $bridge $guest_device
```

4. When starting QEMU specify that the network device type is "virtio" and specify the path to the script created in step #3:

```
qemu-system-aarch64 -smp 8 -m 1024 -cpu host -machine type=virt,gic-  
version=3 -kernel /boot/Image -enable-kvm -display none -serial  
tcp::4446,server,telnet -drive if=none,file=/root/ls-image-main-  
<board>.ext4, -kernel /root/Image, id=foo,format=raw -device  
virtio-blk-device,drive=foo -netdev tap,id=tap0,script=qemu-
```

```
ifup,downscript=no,ifname="tap0" -device virtio-net-pci,netdev=tap0 -append
'root=/dev/vda rw console=ttyAMA0 rootwait earlyprintk' -monitor stdio
```

5. In the guest OS the virtual network interface will appear and can be brought up and assigned an IP address in the normal way. In the example below (the commands are run from the guest command shell), the virtio interface is eth0.

```
root@ls1028ardb:~# ip addr
1: lo: <LOOPBACK,UP,LOWER_UP> mtu 65536 qdisc noqueue state UNKNOWN group
default qlen 1
    link/loopback 00:00:00:00:00:00 brd 00:00:00:00:00:00
    inet 127.0.0.1/8 scope host lo
        valid_lft forever preferred_lft forever
    inet6 ::1/128 scope host
        valid_lft forever preferred_lft forever
2: enp0s1: <BROADCAST,MULTICAST> mtu 1500 qdisc noop state DOWN group default
qlen 1000
    link/ether 52:54:00:12:34:56 brd ff:ff:ff:ff:ff:ff
3: sit0@NONE: <NOARP> mtu 1480 qdisc noop state DOWN group default qlen 1
    link/sit 0.0.0.0 brd 0.0.0.0
6: docker0: <BROADCAST,MULTICAST> mtu 1500 qdisc noop state DOWN group
default
    link/ether 02:42:a5:57:0b:85 brd ff:ff:ff:ff:ff:ff
    inet 172.17.0.1/16 scope global docker0
        valid_lft forever preferred_lft forever
root@ls1028ardb:~# ethtool -i enp0s1
driver: virtio_net
version: 1.0.0
firmware-version:
expansion-rom-version:
bus-info: 0000:00:01.0
supports-statistics: no
supports-test: no
supports-EEPROM-access: no
supports-register-dump: no
supports-priv-flags: no
$ ifconfig enp0s1 192.168.3.31 netmask 255.255.248.0
```

9.1.3.4 How to use vhost-net with virtio

vhost-net is a character device that can be used to reduce the number of system calls involved in virtio networking. vhost-net moves network packets between the guest and the host system using the Linux kernel, bypassing QEMU.

In order to use vhost-net, perform the following steps:

1. Enable virtio networking and vhost-net in the host and guest Linux kernels.
2. On the host Linux, create a bridge to the physical network interface to be used by the virtual network interface in the virtual machine using the **brctl** command. In this example, the physical interface being used is eth2:

```
brctl addbr br0
ifconfig br0 192.168.3.30 netmask 255.255.248.0
ifconfig eth2 0.0.0.0
brctl addif br0 eth2
```

3. Create a qemu-ifup script on the host Linux system. For the TAP backend type, when QEMU creates the virtual network interface it invokes a user-created script that allows customization of how the TAP interface is to be handled. The name of the TAP interface created by QEMU is passed as an argument. In this

example, the TAP interface is bridged to the bridge created in step #2. See the example `qemu-ifup` script below:

```
#!/bin/sh
# TAP interface will be passed in $1
bridge=br0
guest_device=$1
ifconfig $guest_device 0.0.0.0 up
brctl addif $bridge $guest_device
```

- When starting QEMU specify that the network device type is "virtio" and that `vhost-net` (**vhost=on** parameter) is used:

```
qemu-system-aarch64 -smp 8 -m 1024 -cpu host -machine type=virt,gic-version=3 -kernel /boot/Image -enable-kvm -display none -serial tcp::4446,server,telnet -drive if=none,file=/root/ls-image-main-<board>.ext4" and "-kernel /root/Image,id=foo,format=raw -device virtio-blk-device,drive=foo -netdev tap,id=tap0,script=qemu-ifup,downscript=no,ifname="tap0",vhost=on -device virtio-net-pci,netdev=tap0 -append 'root=/dev/vda rw console=ttyAMA0 rootwait earlyprintk' -monitor stdio
```

- In the guest, the virtual interface will come up as described in [Section 9.1.3.3](#). In the Host kernel, the `vhost` thread can be seen consuming CPU:

2928	root	20	0	3258364	458340	19956	S	109.3	3.1	1:59.36	qemu-system-aar
2944	root	20	0	0	0	0	R	99.7	0.0	1:43.52	vhost-2928
3020	root	20	0	225660	1224	1068	S	88.7	0.0	0:05.75	iperf

9.1.3.5 How to Use Virtual Disks Using Virtio

As discussed in [Section 9.1.1.4](#), there are a number of formats available for virtual disk images.

The example below uses a raw file. The steps below go through the process of creating a virtual disk image, assigning it to a VM, partitioning the disk, creating a filesystem on it, and mounting it.

- On the host Linux, create a binary image to represent the guest disk. For example, to create a 16 MB disk:

```
$ dd if=/dev/zero of=my_guest_disk bs=4K count=4K
```

- Start QEMU, specifying the name of the virtual disk file for the `-drive` argument:

```
qemu-system-aarch64 -smp 8 -m 1024 -cpu host -machine type=virt,gic-version=3 -kernel /boot/Image -enable-kvm -display none -serial tcp::4446,server,telnet -drive if=none,file=/root/ls-image-main-<board>.ext4, -kernel /root/Image, id=foo,format=raw -device virtio-blk-device,drive=foo -drive if=none,file=my_guest_disk,cache=none,id=user,format=raw -device virtio-blk-pci,drive=user -append 'root=/dev/vda rw console=ttyAMA0 rootwait earlyprintk' -monitor stdio
```

- After the guest has booted the virtual disk is visible as a block device in `/dev` with the name `vda`, `vdb`. In this example, there are actually two virtual disks: one for the guest rootfs (`vda`) and one for `my_guest_disk`.

```
$ ls -l /dev/vdb
brw-rw---- 1 root disk 254, 0 Jan  1  1970 /dev/vdb
```

A virtual block device can be treated like any other hard disk. It can be partitioned, formatted, and mounted.

- Configure a partition on the disk with `fdisk`:

```
root@ls1028ardb:~# fdisk /dev/vdb
```

```
Welcome to fdisk (util-linux 2.27.1).
Changes will remain in memory only, until you decide to write them.
Be careful before using the write command.
Device does not contain a recognized partition table.
Created a new DOS disklabel with disk identifier 0xc9820d64.
Command (m for help):
```

Display the partition table:

```
Command (m for help): p
Disk /dev/vdb: 16 MiB, 16777216 bytes, 32768 sectors
Units: sectors of 1 * 512 = 512 bytes
Sector size (logical/physical): 512 bytes / 512 bytes
I/O size (minimum/optimal): 512 bytes / 512 bytes
Disklabel type: dos
Disk identifier: 0xc9820d64
Command (m for help):
```

Create a partition:

```
Command (m for help): n
Partition type
  p   primary (0 primary, 0 extended, 4 free)
  e   extended (container for logical partitions)
Select (default p): p
Partition number (1-4, default 1):
First sector (2048-32767, default 2048):
Last sector, +sectors or +size{K,M,G,T,P} (2048-32767, default 32767):
Created a new partition 1 of type 'Linux' and of size 15 MiB.
Command (m for help):
```

Display the new partition:

```
Command (m for help): p
Disk /dev/vdb: 16 MiB, 16777216 bytes, 32768 sectors
Units: sectors of 1 * 512 = 512 bytes
Sector size (logical/physical): 512 bytes / 512 bytes
I/O size (minimum/optimal): 512 bytes / 512 bytes
Disklabel type: dos
Disk identifier: 0xc9820d64
Device      Boot Start    End Sectors Size Id Type
/dev/vdb1           2048 32767    30720  15M 83 Linux
```

Write the partition table to disk and exit:

```
Command (m for help): w
The partition table has been altered.
Calling ioctl() to re-read partition table.
Syncing disks.
```

5. Create a filesystem on the new partition:

```
root@ls1028ardb:~# mkfs.ext4 /dev/vdb1
mke2fs 1.42.13 (17-May-2015)
Creating filesystem with 15360 1k blocks and 3840 inodes
Filesystem UUID: 8f0c49e4-2737-498e-a984-c5f05ba59b99
Superblock backups stored on blocks:
    8193
Allocating group tables: done
Writing inode tables: done
Creating journal (1024 blocks): done
Writing superblocks and filesystem accounting information: done
```

6. Mount the filesystem:

```
root@ls1028ardb:~# mount /dev/vdb1 /boot/
root@ls1028ardb:~# echo "A virtual disk" > /boot/test.txt
root@ls1028ardb:~# cat /boot/test.txt
A virtual disk
```

9.1.3.6 How to use virtual disks using virtio-blk-dataplane

Virtio-blk-dataplane was developed for high performance disk I/O, especially for high IOPS devices. The QEMU performs the disk I/O in a dedicated thread that is optimized for I/O performance.

In this example an SD card is used, a block device on the Linux host.

1. Start QEMU:

```
qemu-system-aarch64 -smp 8 -m 1024 -cpu host -machine type=virt,gic-
version=3 -kernel /boot/Image -enable-kvm -display none -serial
tcp::4446,server,telnet -drive if=none,file=/root/ls-image-main-
<board>.ext4, -kernel /root/Image,id=foo,format=raw -device virtio-blk-
device,drive=foo -object iothread,id=iothread0 -drive if=none,file=/dev/
mmcblk0,cache=none,id=drive0,format=raw,aio=native -device virtio-blk-
pci,drive=drive0,scsi=off,iothread=iothread0 -append 'root=/dev/vda rw
console=ttyAMA0 rootwait earlyprintk' -monitor stdio
```

2. After the guest boots, the virtual disk is visible as a block device with the name vda, vdb, and so on.

```
root@ls1028ardb:~# fdisk /dev/vdb
Welcome to fdisk (util-linux 2.27.1).
Changes will remain in memory only, until you decide to write them.
Be careful before using the write command.
Command (m for help): p
Disk /dev/vdb: 16 MiB, 16777216 bytes, 32768 sectors
Units: sectors of 1 * 512 = 512 bytes
Sector size (logical/physical): 512 bytes / 512 bytes
I/O size (minimum/optimal): 512 bytes / 512 bytes
Disklabel type: dos
Disk identifier: 0xc9820d64
Device      Boot Start    End Sectors Size Id Type
/dev/vdb1           2048 32767    30720 15M 83 Linux
```

In this case, the disk has 1 partition. The partition can be mounted and used.

9.1.3.7 How to use DPAA2 direct assignment without scripts

As presented in the introductory [Section 9.1.1.1.5](#), the DPAA2 architecture has the concept of MC containers which are arranged in a *tree structure*. While the root container always belongs to the host Linux, the child containers can be *directly assigned* to a user-space application such as DPDK or, as in this case, to a QEMU guest VM.

In the pursuit of creating a guest VM with one DPAA2 network interface directly assigned, you first need to create the child container and all the necessary MC objects.

In order to determine the number of DPAA2 objects needed to create a network interface [Section 7.3.2.3.3.1](#). For this example, the following rule applies:

- the DPIO number should be equal to the number of cores for the guest VM to be deployed (for better performance)
- the DPCON number is equal to the number of cores multiplied by the number of interfaces

- one DPBP object for each network interface
- one DPMCP object for each network interface and for each DPIO object

The following section describes the steps to be followed in order to create a *single core VM with one DPAA2 network interface assigned*. The objects are created using the restool user space program. For more details about the restool usage, see [Section 7.3.2.2.3.3](#).

Steps to create *single core VM with one DPAA2 network interface assigned*:

1. Create and populate the child container

- Create the necessary MC objects
 - create the child container (this container will be assigned to the guest)

```
$ restool dprc create dprc.1
dprc.2 is created under dprc.1
```

- create the necessary objects in the child container

```
$ restool dpio create --container=dprc.2
dpio.11 is created under dprc.2
$ restool dpcon create --num-priorities=2 --container=dprc.2
dpcon.3 is created under dprc.2
$ restool dpmcp create --container=dprc.2
dpmcp.25 is created under dprc.2
$ restool dpmcp create --container=dprc.2
dpmcp.26 is created under dprc.2
$ restool dpbp create --container=dprc.2
dpbp.4 is created under dprc.2
$ restool dpni create --container=dprc.2
dpni.3 is created under dprc.2
```

- Change the plugged state of the newly created objects to *plugged*.

```
$ restool dprc assign dprc.2 --object=dpio.11 --plugged=1
$ restool dprc assign dprc.2 --object=dpcon.3 --plugged=1
$ restool dprc assign dprc.2 --object=dpmcp.25 --plugged=1
$ restool dprc assign dprc.2 --object=dpmcp.26 --plugged=1
$ restool dprc assign dprc.2 --object=dpbp.4 --plugged=1
$ restool dprc assign dprc.2 --object=dpni.3 --plugged=1
```

- Check if objects were created properly by listing the contents of the child container:

```
$ restool dprc show dprc.2
dprc.2 contains 6 objects:
object          label          plugged-state
dpni.3          dpni.3         plugged
dpbp.4          dpbp.4         plugged
dpmcp.25       dpmcp.25      plugged
dpmcp.26       dpmcp.26      plugged
dpio.11        dpio.11        plugged
dpcon.3        dpcon.3        plugged
```

- Connect the dpni object to the required dpmac in your scenario:

```
$ restool dprc connect dprc.1 --endpoint1=dpni.3 --endpoint2=dpmac.3
```

2. Bind the newly created DPRC device to the vfio-fsl-mc driver

```
$ echo vfio-fsl-mc > /sys/bus/fsl-mc/devices/dprc.2/driver_override
$ echo dprc.2 > /sys/bus/fsl-mc/drivers/vfio-fsl-mc/bind
```

3. Add the device command below (for the DPRC to be assigned) to the QEMU command-line:

```
-device vfio-fsl-mc,host=dprc.2
```

Also, make sure to specify the appropriate number of cores for the guest VM. It should match the number of dpio objects created in the child container. In this case, 1 core.

```
-smp 1
```

4. Make sure to assign each vcpu thread to one physical CPU only

- Start QEMU with `-S` option (the vcpu threads are not yet started). You need this in order for the Ethernet drivers in the guest to correctly bind the objects to the cores.

```
qemu-system-aarch64 -smp 1 -m 1024 -cpu host -machine type=virt,gic-version=3 -kernel /boot/Image -enable-kvm -display none -serial tcp::4446,server,telnet -drive if=none,file=/root/ls-image-main-<board>.ext4,id=foo,-kernel /root/Image,format=raw -device virtio-blk-device,drive=foo -append 'root=/dev/vda rw console=ttyAMA0 rootwait earlyprintk' -monitor stdio -device vfio-fsl-mc,host=dprc.2 -S
```

Get the VM thread IDs entering QEMU shell

```
(qemu) info cpus
* CPU #0: thread_id=4952
```

- Assign one vcpu thread to one core only.

```
$ taskset -p 0x1 4952
pid 4952's current affinity mask: ff
pid 4952's new affinity mask: 1
```

- Start the vcpu threads.

```
(qemu) c
```

Note: In case you do not want to modify the child container configuration after starting QEMU, use the `restool dprc set-locked` command: `restool dprc set-locked dprc.2 --locked=1`. The child container will be locked by its parent and will not be able to mount a denial of service attack by creating multiple objects.

9.1.3.8 How to use DPAA2 direct assignment with scripts

The previous [Section 9.1.3.7](#), explained how to use the DPAA2 Direct Assignment feature manually, by creating each individual DPAA2 object needed in the child DPRC, this section explains a second method to create the desired configuration for a child container that will be *assigned* to the guest VM.

In order to describe the DPAA2 object configuration for a guest VM, therefore a child DPRC, you can employ the *DPL - Data Path Layout* syntax. The `restool` package has a new helper script, `ls-append-dpl`, that can parse DPL files which describe a child DPRC configuration and create that scenario using the `restool` tool.

You can check if the aforementioned script is available:

```
$ which ls-append-dpl
$ ls-append-dpl --help
Usage: /usr/bin/ls-append-dpl [options] <dpl-file>
Options:
-h, --help
    Print this help and exit
root@ls1028ardb:~#
```

The next section will describe how to use the `ls-append-dpl` script in order to create the child container that will be assigned to the guest VM. The next section will cover only the DPRC creation process, step #1 from the previous section, while the remaining steps are still the same.

9.1.3.8.1 Single core guest with one network interface

Applying the [rule](#) presented before, you already know that in order to assign a network interface to a *single core guest* the child container should contain:

- DPNI - 1
- DPBP - 1
- DPMCP - 2
- DPIO - 1
- DPCON - 1

- Create the DPL file:

The file [vm_1_core.dts](#) is a text file that uses the DPL syntax and describes the required configuration for a child container that will be used for a *single core, one network interface* guest.

It has the exact same syntax as a DPL file used to describe the static host configuration. In the [vm_1_core.dts](#) file, you can see that a *dprc* object is described:

```
dprc@2 {
    compatible = "fsl,dprc";
    parent = "dprc.1";
}
```

The *parent* property is mandatory and it should describe the parent container for the new one.

In this simple configuration, the single *dpni* created is connected to the *dpmac@1* in the *connections* section as follows:

```
connection@1{
    endpoint1 = "dpni@1";
    endpoint2 = "dpmac@1";
};
```

If you want to connect the *dpni@1* with any other object just change the value of *endpoint2*. For example, for a connection to be established with *dpmac@2* change the fragment to:

```
endpoint2 = "dpmac@2";
```

- Deploy the DPL configuration:

```
$ ls-append-dpl vm_1_core.dts Created the following objects: dpmcp.50 dpmcp.51
dpni.1 dpio.8 dpcon.1 dprc.2 dpbp.1
```

9.1.3.8.2 Multicore guest with one network interface

In order to transition from *1 core* guest to a *multicore* one, only the number of *dpio* and *dpcon* objects described in the DPL file need to be changed. Therefore, in the case of a guest VM with 8 cores and one DPAA2 network interface, the DPL files should list and describe: *8 dpio, 8 dpcon, 9 dpmcp, 1 dpbp, 1 dpni*.

The [vm_8_core.dts](#) describes the configuration required for an 8 core guest VM with one DPAA2 interface. You can use it in a similar fashion:

```
$ ls-append-dpl vm_8_core.dts
```

9.1.3.8.3 ANNEX 1 - vm_1_core.dts

```

/dts-v1/;
/ {
    dpl-version = <10>;
    /*****
     * Containers
     *****/
    containers {
        dprc@2 {
            compatible = "fsl,dprc";
            parent = "dprc.1";
            options = "DPRC_CFG_OPT_SPAWN_ALLOWED", "DPRC_CFG_OPT_ALLOC_ALLOWED",
"DPRC_CFG_OPT_OBJ_CREATE_ALLOWED", "DPRC_CFG_OPT_IRQ_CFG_ALLOWED";
            objects {
                /* ----- DPBPs -----*/
                obj_set@dpbp {
                    type = "dpbp";
                    ids = <1>;
                };
                /* ----- DPCONS -----*/
                obj_set@dpcon {
                    type = "dpcon";
                    ids = <1>;
                };
                /* ----- DPIOs -----*/
                obj_set@dpio {
                    type = "dpio";
                    ids = <1>;
                };
                /* ----- DPMCPs -----*/
                obj_set@dpmcp {
                    type = "dpmcp";
                    ids = <1 2>;
                };
                /* ----- DPNIIs -----*/
                obj_set@dpni {
                    type = "dpni";
                    ids = <1>;
                };
            };
        };
    };
};
/*****
 * Objects
 *****/
objects {
    dpbp@1 {
        compatible = "fsl,dpbp";
    };
    dpcon@1 {
        compatible = "fsl,dpcon";
        num_priorities = <0x2>;
    };
    dpio@1 {
        compatible = "fsl,dpio";
        channel_mode = "DPIO_LOCAL_CHANNEL";
        num_priorities = <0x8>;
    };
    dpmcp@1 {

```

```

compatible = "fsl,dpmcp";
};
dpmcp@2 {
compatible = "fsl,dpmcp";
};
dpni@1 {
compatible = "fsl,dpni";
type = "DPNI_TYPE_NIC";
options = "DPNI_OPT_NO_FS";
num_queues = <8>;
num_tcs = <1>;
mac_filter_entries = <16>;
vlan_filter_entries = <0>;
fs_entries = <0>;
qos_entries = <0>;
};
};
/*****
* Connections
*****/
connections {
connection@1{
endpoint1 = "dpni@1";
endpoint2 = "dpmac@1";
};
};
};

```

9.1.3.8.4 ANNEX 2 - vm_8_core.dts

```

/dts-v1/;
/ {
dpl-version = <10>;
/*****
* Containers
*****/
containers {
dprc@2 {
compatible = "fsl,dprc";
parent = "dprc.1";
options = "DPRC_CFG_OPT_SPAWN_ALLOWED", "DPRC_CFG_OPT_ALLOC_ALLOWED",
"DPRC_CFG_OPT_OBJ_CREATE_ALLOWED", "DPRC_CFG_OPT_IRQ_CFG_ALLOWED";
objects {
/* ----- DPBPs -----*/
obj_set@dppb {
type = "dppb";
ids = <1>;
};
/* ----- DPCONS -----*/
obj_set@dpcon {
type = "dpcon";
ids = <1 2 3 4 5 6 7 8>;
};
/* ----- DPIOS -----*/
obj_set@dpio {
type = "dpio";
ids = <1 2 3 4 5 6 7 8>;
};
/* ----- DPMCPs -----*/
obj_set@dpmcp {
type = "dpmcp";
ids = <1 2 3 4 5 6 7 8 9>;
};
/* ----- DPNIIs -----*/
obj_set@dpni {
type = "dpni";
};
};
};

```



```
        ids = <1>;
    };
};
};
};
/*****
* Objects
*****/
objects {
    dpbp@1 {
        compatible = "fsl,dpbp";
    };
    dpcon@1 {
        compatible = "fsl,dpcon";
        num_priorities = <0x2>;
    };
    dpcon@2 {
        compatible = "fsl,dpcon";
        num_priorities = <0x2>;
    };
    dpcon@3 {
        compatible = "fsl,dpcon";
        num_priorities = <0x2>;
    };
    dpcon@4 {
        compatible = "fsl,dpcon";
        num_priorities = <0x2>;
    };
    dpcon@5 {
        compatible = "fsl,dpcon";
        num_priorities = <0x2>;
    };
    dpcon@6 {
        compatible = "fsl,dpcon";
        num_priorities = <0x2>;
    };
    dpcon@7 {
        compatible = "fsl,dpcon";
        num_priorities = <0x2>;
    };
    dpcon@8 {
        compatible = "fsl,dpcon";
        num_priorities = <0x2>;
    };
    dpio@1 {
        compatible = "fsl,dpio";
        channel_mode = "DPIO_LOCAL_CHANNEL";
        num_priorities = <0x8>;
    };
    dpio@2 {
        compatible = "fsl,dpio";
        channel_mode = "DPIO_LOCAL_CHANNEL";
        num_priorities = <0x8>;
    };
    dpio@3 {
        compatible = "fsl,dpio";
        channel_mode = "DPIO_LOCAL_CHANNEL";
        num_priorities = <0x8>;
    };
    dpio@4 {
        compatible = "fsl,dpio";
        channel_mode = "DPIO_LOCAL_CHANNEL";
        num_priorities = <0x8>;
    };
    dpio@5 {
        compatible = "fsl,dpio";
        channel_mode = "DPIO_LOCAL_CHANNEL";
        num_priorities = <0x8>;
    };
    dpio@6 {
        compatible = "fsl,dpio";
        channel_mode = "DPIO_LOCAL_CHANNEL";
        num_priorities = <0x8>;
    };
    dpio@7 {
```

```

compatible = "fsl,dpio";
channel_mode = "DPIO_LOCAL_CHANNEL";
num_priorities = <0x8>;
};
dpio@8 {
compatible = "fsl,dpio";
channel_mode = "DPIO_LOCAL_CHANNEL";
num_priorities = <0x8>;
};
dpmcp@1 {
compatible = "fsl,dpmcp";
};
dpmcp@2 {
compatible = "fsl,dpmcp";
};
dpmcp@3 {
compatible = "fsl,dpmcp";
};
dpmcp@4 {
compatible = "fsl,dpmcp";
};
dpmcp@5 {
compatible = "fsl,dpmcp";
};
dpmcp@6 {
compatible = "fsl,dpmcp";
};
dpmcp@7 {
compatible = "fsl,dpmcp";
};
dpmcp@8 {
compatible = "fsl,dpmcp";
};
dpmcp@9 {
compatible = "fsl,dpmcp";
};
dpni@1 {
compatible = "fsl,dpni";
type = "DPNI_TYPE_NIC";
options = "DPNI_OPT_NO_FS";
num_queues = <8>;
num_tcs = <1>;
mac_filter_entries = <16>;
vlan_filter_entries = <0>;
fs_entries = <0>;
qos_entries = <0>;
};
};
/*****
* Connections
*****/
connections {
connection@1{
endpoint1 = "dpni@1";
endpoint2 = "dpmac@1";
};
};
};

```

9.1.3.9 How to use PCIe direct assignment

Select the PCIe device that will be assigned to Virtual Machine. For example, it is e1000e PCI network device (0000.01.00.0).

1. Bind the PCI device to the VFIO driver:
 - Assume e1000e device with identity 0000.01.00.0

```

echo vfio-pci > /sys/bus/pci/devices/0000\:01\:00.0/driver_override
echo 0000:01:00.0 > /sys/bus/pci/drivers/e1000e/unbind

```

```
echo 0000:01:00.0 > /sys/bus/pci/drivers/vfio-pci/bind
```

2. All device in the `iommu-group` must be assigned to same virtual machine.

- The command below will list all devices in the same `iommu-group`:

```
ls -l /sys/bus/pci/devices/0000:01:00.0/iommu_group/devices
```

- All devices must be bound to VFIO using step (1) above.

3. Add the device command below to the QEMU command-line for all devices in the `iommu-group`:

```
-device vfio-pci,host=0000:01:00.0
```

4. Device will be available in Virtual Machine.

9.1.3.10 Passthrough of USB Devices

USB devices can be assigned to virtual machines. When the device is assigned to the virtual machine it becomes the private resource of the VM and it cannot be used by the host Linux. The virtual machine sees an XHCI USB controller on its PCI bus. The XHCI controller supports USB 3.0 devices.

There are 2 approaches for passing through a USB device:

1. by specifying the USB vendor ID and product ID of the device
2. by specifying the USB bus and port number

In the examples below, the **-device nec-usb-xhci** argument specifies that a PCI-based XHCI USB controller should be added to the PCI bus. The **-device usb-host** identifies the specific USB device being passed through.

To assign the device by vendor and product ID, first identify the device using the `lsusb` command. For example:

```
root@ls1028ardb:~# lsusb
Bus 004 Device 001: ID 1d6b:0003 Linux Foundation 3.0 root hub
Bus 003 Device 001: ID 1d6b:0002 Linux Foundation 2.0 root hub
Bus 002 Device 001: ID 1d6b:0003 Linux Foundation 3.0 root hub
Bus 001 Device 002: ID 13fe:3600 Kingston Technology Company Inc. flash drive
(4GB, EMTEC)
Bus 001 Device 001: ID 1d6b:0002 Linux Foundation 2.0 root hub
```

To assign the Kingston USB disk, specify the following `-device` arguments to QEMU:

```
-device nec-usb-xhci,id=xhci
-device usb-host,bus=xhci.0,vendorid=0x13fe,productid=0x3600
```

To assign the device by USB bus and host number, use the `lsusb` command:

```
root@ls1028ardb:~# lsusb -t
/: Bus 04.Port 1: Dev 1, Class=root_hub, Driver=xhci-hcd/1p, 5000M
/: Bus 03.Port 1: Dev 1, Class=root_hub, Driver=xhci-hcd/1p, 480M
/: Bus 02.Port 1: Dev 1, Class=root_hub, Driver=xhci-hcd/1p, 5000M
/: Bus 01.Port 1: Dev 1, Class=root_hub, Driver=xhci-hcd/1p, 480M
   |__ Port 1: Dev 2, If 0, Class=Mass Storage, Driver=usb-storage, 480M
```

In this example, the storage device can be seen on bus 1, port 1. The info `usbhost` in the QEMU monitor can also be used to display the host USB bus and port numbers for all USB devices.

To assign the Kingston USB disk by bus and port number, specify the following `-device` arguments to QEMU:

```
-device nec-usb-xhci,id=xhci
-device usb-host,bus=xhci.0,hostbus=1,hostport=1
```

9.1.3.11 Debugging: How to Examine Initial Virtual Machine State with QEMU

It can be helpful when debugging to examine the state of the virtual machine prior to executing the first instruction of the guest OS.

To do this, start QEMU with the `-S` option.

Example:

```
qemu-system-aarch64 -smp 8 -m 1024 -cpu host -machine type=virt,gic-version=3
  -kernel /boot/Image -enable-kvm -display none -serial tcp::4446,server,telnet
  -drive if=none,file=/root/ls-image-main-<board>.ext4,-kernel /root/
Image,id=foo,format=raw -device virtio-blk-device,drive=foo -append 'root=/dev/
vda rw console=ttyAMA0 rootwait earlyprintk' -monitor stdio -S
```

The console was started with the `"-serial tcp::4446,server,telnet"` option so QEMU waits for a connection prior to starting initialization. Use telnet to connect to port 4446 of the target.

At this point QEMU initializes the VM, but does not execute the entry point to the guest OS. The monitor prompt can now be used to examine initial state:

```
QEMU 4.2.1 monitor - type 'help' for more information (qemu) QEMU waiting for
connection on: disconnected:telnet::4446,server (qemu)
```

To see where boot images are loaded and placed by QEMU use the `info roms` command:

```
(qemu) info roms
addr=0000000000000000 size=0x000038 mem=ram name="smpboot"
addr=0000000040000000 size=0x000028 mem=ram name="bootloader"
addr=0000000040080000 size=0x15fba00 mem=ram name="/root/Image"
addr=0000000048000000 size=0x010000 mem=ram name="dtb"
/rom@etc/acpi/tables size=0x200000 name="etc/acpi/tables"
/rom@etc/table-loader size=0x000980 name="etc/table-loader"
/rom@etc/acpi/rsdp size=0x000024 name="etc/acpi/rsdp"
(qemu)
```

A trivial bootloader is loaded at the start of guest memory at `0x40000000`

The kernel image (Image) is loaded at `0x40080000`.

To examine the initial state of registers use the `info registers` command:

```
(qemu) info registers
PC=0000000040000000 SP=0000000000000000
X00=0000000000000000 X01=0000000000000000 X02=0000000000000000
X03=0000000000000000
X04=0000000000000000 X05=0000000000000000 X06=0000000000000000
X07=0000000000000000
X08=0000000000000000 X09=0000000000000000 X10=0000000000000000
X11=0000000000000000
X12=0000000000000000 X13=0000000000000000 X14=0000000000000000
X15=0000000000000000
X16=0000000000000000 X17=0000000000000000 X18=0000000000000000
X19=0000000000000000
X20=0000000000000000 X21=0000000000000000 X22=0000000000000000
X23=0000000000000000
X24=0000000000000000 X25=0000000000000000 X26=0000000000000000
X27=0000000000000000
```

```
X28=0000000000000000 X29=0000000000000000 X30=0000000000000000
PSTATE=400003c5 -Z-- EL1h
q00=0000000000000000:0000000000000000 q01=0000000000000000:0000000000000000
q02=0000000000000000:0000000000000000 q03=0000000000000000:0000000000000000
q04=0000000000000000:0000000000000000 q05=0000000000000000:0000000000000000
q06=0000000000000000:0000000000000000 q07=0000000000000000:0000000000000000
q08=0000000000000000:0000000000000000 q09=0000000000000000:0000000000000000
q10=0000000000000000:0000000000000000 q11=0000000000000000:0000000000000000
q12=0000000000000000:0000000000000000 q13=0000000000000000:0000000000000000
q14=0000000000000000:0000000000000000 q15=0000000000000000:0000000000000000
q16=0000000000000000:0000000000000000 q17=0000000000000000:0000000000000000
q18=0000000000000000:0000000000000000 q19=0000000000000000:0000000000000000
q20=0000000000000000:0000000000000000 q21=0000000000000000:0000000000000000
q22=0000000000000000:0000000000000000 q23=0000000000000000:0000000000000000
q24=0000000000000000:0000000000000000 q25=0000000000000000:0000000000000000
q26=0000000000000000:0000000000000000 q27=0000000000000000:0000000000000000
q28=0000000000000000:0000000000000000 q29=0000000000000000:0000000000000000
q30=0000000000000000:0000000000000000 q31=0000000000000000:0000000000000000
FPCR: 00000000 FPSR: 00000000
(qemu)
```

The program counter is set to 0x40000000 which is the effective address of the entry point of the kernel.

9.1.3.12 Debugging: How to Profile Virtualization Overhead with KVM

Running software in a virtual machine can cause additional overhead that affects performance. The virtualization overhead is directly related to the number of times the hypervisor (KVM) is invoked to handle exception conditions that may occur in the virtual machine. These exception handling events are referred to as 'exits', because guest context is exited.

Examples of exits include things such the guest executing a privileged instruction, access a privileged CPU register, accessing a virtual I/O device, or a hardware interrupt such as a decremter interrupt.

The type and number of exits that occur is workload dependent.

KVM implements a mechanism in which different events are logged. These events are actually tracepoint events, and perf nicely integrates with them. You have to compile the host kernel with the following options:

```
Kernel hacking --->
  [*] Tracers --->
    [*] Trace process context switches and events
```

Counting Events

A count of a subset of KVM events that occur can be seen under debugfs. To see this first mount debugfs:

```
mount -t debugfs none /sys/kernel/debug
```

The statistics can be seen using perf tool:

```
# perf stat -e "kvm:*" -p 1395
^C
Performance counter stats for process id '1395':
   5678 kvm:kvm_entry
   5678 kvm:kvm_exit
   3121 kvm:kvm_guest_fault
   2278 kvm:kvm_irq_line
```

```

0 kvm:kvm_mmio_emulate
0 kvm:kvm_emulate_cp15_imp
2438 kvm:kvm_wfi
0 kvm:kvm_unmap_hva
2 kvm:kvm_unmap_hva_range
0 kvm:kvm_set_spte_hva
0 kvm:kvm_hvc
3119 kvm:kvm_userspace_exit
0 kvm:kvm_set_irq
0 kvm:kvm_ack_irq
4068 kvm:kvm_mmio
0 kvm:kvm_fpu
0 kvm:kvm_age_page
59.316709040 seconds time elapsed

```

Tracing events

Detailed traced can be generated using ftrace:

```

[enable ftrace in kernel: events and system calls]
$echo 1 > /sys/kernel/debug/tracing/events/kvm/enable
$cat /sys/kernel/debug/tracing/trace_pipe
qemu-system-arm-1366 [000] .... 716.115891: kvm_guest_fault: ipa 0x9000000,
hsr 0x93430046, hxfar 0xa084c030, pc 0x80266a9c
qemu-system-arm-1366 [000] .... 716.115892: kvm_mmio: mmio write len 2 gpa
0x90000030 val 0xf01
qemu-system-arm-1366 [000] .... 716.115895: kvm_userspace_exit: reason
KVM_EXIT_MMIO (6)
qemu-system-arm-1366 [000] d... 716.115907: kvm_entry: PC: 0x80266aa0
qemu-system-arm-1366 [000] d... 716.116234: kvm_exit: PC: 0x800cf508
qemu-system-arm-1366 [000] d... 716.118274: kvm_entry: PC: 0x800cf508
qemu-system-arm-1366 [000] d... 716.118704: kvm_exit: PC: 0x0000981c
qemu-system-arm-1366 [000] d... 716.120737: kvm_entry: PC: 0x0000981c
qemu-system-arm-1366 [000] d... 716.121159: kvm_exit: PC: 0x800bb104
qemu-system-arm-1366 [000] d... 716.123197: kvm_entry: PC: 0x800bb104
qemu-system-arm-1366 [000] d... 716.123620: kvm_exit: PC: 0x8009cae0
qemu-system-arm-1366 [000] d... 716.125696: kvm_entry: PC: 0x8009cae0
qemu-system-arm-1366 [000] d... 716.126091: kvm_exit: PC: 0x800c90f4
qemu-system-arm-1366 [000] d... 716.128130: kvm_entry: PC: 0x800c90f4
qemu-system-arm-1366 [000] d... 716.128561: kvm_exit: PC: 0x801f37f4
qemu-system-arm-1366 [000] d... 716.130594: kvm_entry: PC: 0x801f37f4
qemu-system-arm-1366 [000] d... 716.130623: kvm_exit: PC: 0x8020576c
qemu-system-arm-1366 [000] d... 716.130635: kvm_entry: PC: 0x8020576c
qemu-system-arm-1366 [000] d... 716.131018: kvm_exit: PC: 0x43014750
qemu-system-arm-1366 [000] d... 716.133053: kvm_entry: PC: 0x43014750
qemu-system-arm-1366 [000] d... 716.133478: kvm_exit: PC: 0x80205778
qemu-system-arm-1366 [000] d... 716.135555: kvm_entry: PC: 0x80205778

```

9.1.3.13 Debugging virtual machines

9.1.3.13.1 QEMU Monitor

When starting QEMU, a monitor shell is available that can be used to control and see the state of VM. By default this monitor is started in the Linux shell where QEMU is invoked.

See example below of the output when starting QEMU. The user can interact with the monitor at the (qemu) prompt.

```
QEMU 4.2.1 monitor - type 'help' for more information (qemu) QEMU waiting for
connection on: disconnected:telnet::4446,server
```

The monitor can also be exposed over a network port by using the `-monitor dev` command-line option. See [Section 9.1.1.1.1](#) and the QEMU user's manual [1] (see [Section 9.1.1.5](#)).

Refer to the QEMU user's manual [1] for a complete listing of the monitor commands available. Below is a list of some useful commands supported in the NXP SDK implementation of QEMU:

- **help** - lists all the available commands with usage information
- **info cpus** - displays the state and thread ID of all virtual CPUs
- **info registers** - displays the contents of the default vcpu's registers
- **cpu cpu_number** - sets the default vcpu number
- **system_reset** - resets the VM
- **x/fmt addr** -- virtual memory dump starting at 'addr'
- **xp/fmt addr** -- physical memory dump starting at 'addr'

9.1.3.13.2 QEMU GDB Stub

QEMU supports debugging of a VM using gdb. QEMU contains a gdb stub that can be attached to from a host system and allows standard source level debugging capabilities to examine the state of the VM and do run control.

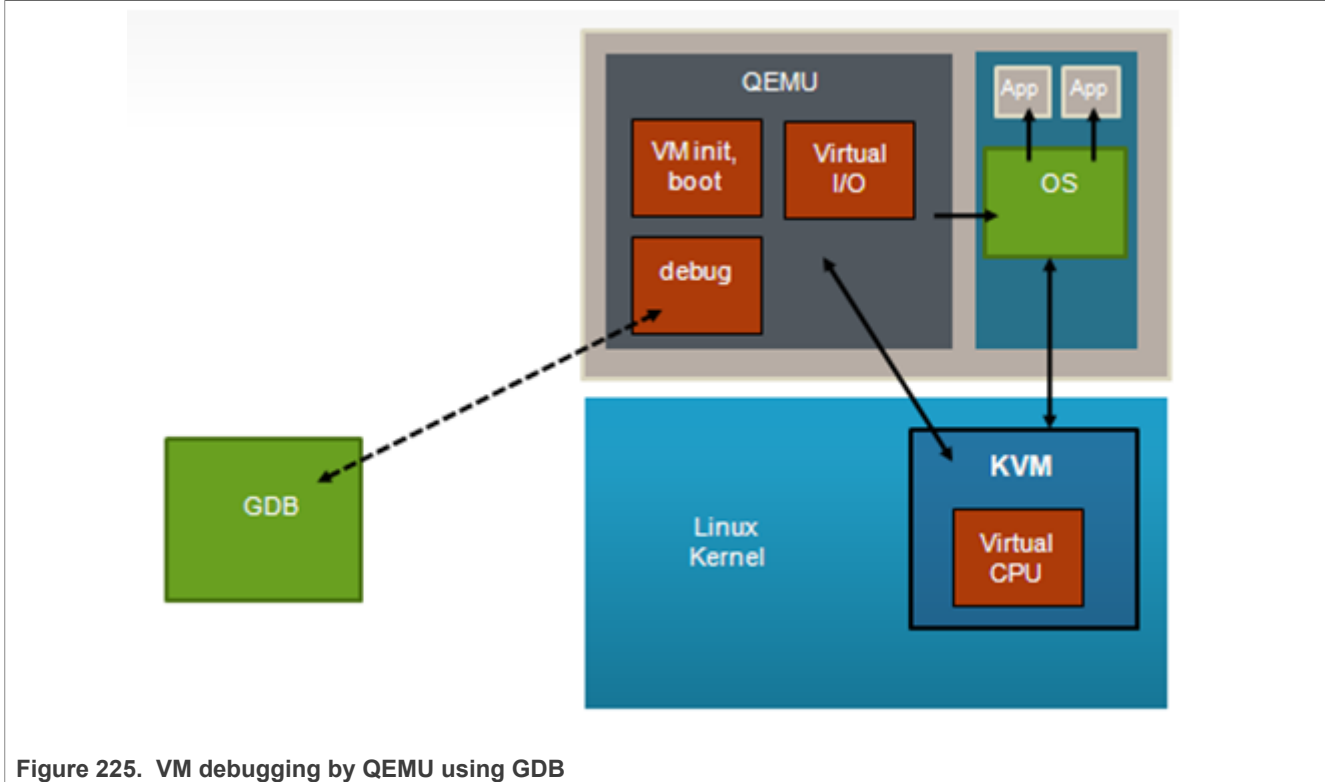


Figure 225. VM debugging by QEMU using GDB

To use the gdb stub, start QEMU with the `-gdb dev` option where `dev` specifies the type of connection to be used. See the QEMU user's manual [1] (see [Section 9.1.1.5](#)) for details.

One useful option when debugging is the `-S` argument to QEMU which causes QEMU to wait to start the first instruction of the guest until told to start using the monitor (**continue** command).

In the example below the `tcp` device type is used. A `gdb` stub will be active on port 4445 of the host Linux kernel when starting QEMU:

```
qemu-system-aarch64 -smp 8 -m 1024 -cpu host -machine type=virt,gic-version=3
-kernel /boot/Image -enable-kvm -display none -serial tcp::4446,server,telnet
-drive if=none,file=/root/ls-image-main-<board>.ext4,-kernel /root/
Image,id=foo,format=raw -device virtio-blk-device,drive=foo -append 'root=/dev/
vda rw console=ttyAMA0 rootwait earlyprintk' -monitor stdio -gdb tcp::4444
```

After the guest has been started normally, `gdb` can be used to connect to the VM (in this example the host kernel has an ip address of 192.168.3.30):

```
(gdb) target remote 192.168.4.100:4444
Remote debugging using 192.168.4.100:4444
0xffff000008096258 in ?? ()
```

Debugging with `gdb` can then proceed normally:

```
(gdb) p/x $pc
$4 = 0xffff000008096258
```

9.2 Linux Containers (LXC) for NXP QorIQ User's Guide

9.2.1 Introduction to Linux Containers

9.2.1.1 Overview

This document is a guide and tutorial to using Linux Containers on NXP ARMv7 and ARMv8-based SoCs.

Linux Containers is a lightweight virtualization technology that allows the creation of environments in Linux called "**containers**" in which Linux applications can be run in isolation from the rest of the system and with fine grained control over resources allocated to the container (for example, CPU, memory, network).

There are 2 implementations of containers in the Layerscape LDP:

- LXC. LXC is a user space package that provides a set of commands to create and manage containers and uses existing Linux kernel features to accomplish the desired isolation and control.
- Libvirt. The `libvirt` package is a virtualization toolkit that provides a set of management tools for managing virtual machines and Linux containers. The `libvirt` driver for containers is called "`lxc`", but the `libvirt` "`lxc`" driver is distinct from the user space LXC package.

Applications in a container run in a "sandbox" and can be restricted in what they can do and what visibility they have. In a container:

- An application "sees" only other processes that are in the container.
- An application has access only to network resources granted to the container.
- If configured as such, an application "sees" only a container-specific root filesystem. In addition to limiting access to data in the system's host rootfs, by limiting the `/dev` entries that exist in the containers rootfs this limits the devices that the container can access.
- The file POSIX capabilities available to programs are controlled and configured by the system administrator.

- The container's processes run in what is known as a "control group" which the system administrator can use to monitor and control the container's resources.

Why are containers useful? Below are a few examples of container use cases:

- **Application partitioning** -- control CPU utilization between high-priority and low-priority applications, control what resources applications can access.
- **Virtual private server** -- boot multiple instances of user space, each which effectively looks like a private instance of a server. This approach is commonly used in website infrastructure.
- **Software upgrade** -- run Linux user space in a container, when it becomes necessary to upgrade applications in the system, create and test upgraded software in a new container. The old container can be stopped and the new container can be started as desired.
- **Terminal servers** -- user accesses the system with a thin client, with containers on the server providing applications. Each user gets a private, sandboxed workspace.

There are two general usage models for containers:

- **application containers:** Running a single application in a container. In this scenario, a single executable program is started in the container.
- **system containers:** Booting an instance of user space in a container. Booting multiple system containers allows multiple isolated instances of user space to run at the same time.

Containers are conceptually different than virtual machine technologies such as QEMU/KVM. Virtual machines emulate a hardware platform and are capable of booting an operating system kernel. A container is a mechanism to isolate Linux applications. In a system using containers there is only one Linux kernel running the host Linux kernel.

9.2.1.2 For Further Information

Linux container is an approach to virtualization similar to OS virtualization solutions, such as Linux VServer and OpenVZ that are widely used for virtual private servers. Documentation for these projects has helpful and relevant information:

- <http://linux-vserver.org/Overview>
- http://wiki.openvz.org/Main_Page

The LXC package is an open source project and much information is available online.

General Information

- libvirt LXC driver: <http://libvirt.org/drvlxc.html>
- Getting started with LXC using libvirt : <https://www.berrange.com/posts/2011/09/27/getting-started-with-lxc-using-libvirt/>
- LXC: Official webpage for the LXC project: <https://linuxcontainers.org/>
- LXC: Overview article on LXC on IBM developerWorks (2009): <https://developer.ibm.com/tutorials/l-lxc-containers/>
- LXC man pages: <https://linuxcontainers.org/lxc/manpages/>
- SUSE LXC tutorial: <https://documentation.suse.com/sles/11-SP4/html/SLES-all/art-lxcquick.html>
- LXC Linux Containers, presentation: <http://www.slideshare.net/samof76/lxc-17456998>
- Stephane Graber's LXC 1.0 blog posts: <https://www.stgraber.org/2013/12/20/lxc-1-0-blog-post-series/>
- Linux Plumbers 2013 videos: <https://www.youtube.com/channel/UCIxsmRWj3-795FMlrsikd3A/videos>
- Control Groups: <https://www.kernel.org/doc/Documentation/cgroup-v1/cgroups.txt>

Containers and Security

If using containers to sandbox untrusted applications, a thorough understanding is needed of the capabilities granted to a container and the security vulnerabilities they may imply. The following references are helpful for understanding container security:

- Ubuntu's security issues and mitigations with LXC, <https://wiki.ubuntu.com/LxcSecurity>
- Emeric Nasi, Exploiting capabilities, https://blog.sevagas.com/IMG/pdf/exploiting_capabilities_the_dark_side.pdf
- Secure containers with SELinux and Smack, <http://www.ibm.com/developerworks/linux/library/l-lxc-security/index.html>
- Seccomp and sandboxing, <http://lwn.net/Articles/332974/>

Mailing Lists

For LXC, there are two mailing lists available which can be subscribed to. Archives of the lists are also available.

<https://lists.linuxcontainers.org/listinfo/lxc-devel>

<https://lists.linuxcontainers.org/listinfo/lxc-users>

9.2.2 Additional information

9.2.2.1 Containers with Libvirt

This section provides an overview to using libvirt-based containers.

For general introduction to libvirt, see the container information available on the libvirt website: <http://libvirt.org/drvlxc.html>.

With libvirt, a container "domain" is specified in an XML file. The XML is used to "define" the container, which then allows the container to be managed with the standard libvirt domain lifecycle.

Libvirt XML

The XML for the simplest functional container would look like the example below:

```
<domain type='lxc'>
  <name>container1</name>
  <memory>500000</memory>
  <os>
    <type>exe</type>
    <init>/bin/sh</init>
  </os>
  <devices>
    <console type='pty' />
  </devices>
</domain>
```

Refer to the XML reference information available on the libvirt website for detailed reference information: <http://libvirt.org/formatdomain.html>

The <domain> element must specify a type attribute of "lxc" for a container/lxc domain. There are 4 additional sub-nodes required:

- <name> - specifies the name of the container

- <memory> - specifies the maximum memory the container may use
- <os> - identifies the initial program to run. In the example, this is /bin/sh. For an application-based container, this is the name of the application. If booting an instance of Linux user space, this would typically be /sbin/init.
- <devices> - specifies any devices, in the above example there is just a console

Filesystem mounts (from <http://libvirt.org/drvlxc.html>)

In the absence of any explicit configuration, the container will inherit the host OS filesystem mounts. A number of mount points will be made read only, or remounted with new instances to provide container-specific data. The following special mounts are set up by libvirt:

- /dev a new "tmpfs" pre-populated with authorized device nodes
- /dev/pts a new private "devpts" instance for console devices
- /sys the host "sysfs" instance remounted read-only
- /proc a new instance of the "proc" filesystem
- /proc/sys the host "/proc/sys" bind-mounted read-only
- /sys/fs/selinux the host "selinux" instance remounted read-only
- /sys/fs/cgroup/NNNN the host cgroups controllers bind-mounted to only expose the sub-tree associated with the container
- /proc/meminfo a FUSE backed file reflecting memory limits of the container

Additional filesystem mounts can be created using the <filesystem> node under the <devices> node. See the libvirt.org documentation referenced above for further details.

Device nodes from <http://libvirt.org/drvlxc.html>

The container init process will be started with CAP_MKNOD capability removed and blocked from reacquiring it. As such it will not be able to create any device nodes in /dev or anywhere else in its filesystems. Libvirt itself will take care of pre-populating the /dev filesystem with any devices that the container is authorized to use. The current devices that will be made available to all containers are:

- /dev/zero
- /dev/null
- /dev/full
- /dev/random
- /dev/urandom
- /dev/stdin symlinked to /proc/self/fd/0
- /dev/stdout symlinked to /proc/self/fd/1
- /dev/stderr symlinked to /proc/self/fd/2
- /dev/fd symlinked to /proc/self/fd
- /dev/ptmx symlinked to /dev/pts/ptmx
- /dev/console symlinked to /dev/pts/0

9.2.2.2 Linux Control Groups (cgroups)

Linux control groups (or cgroups) is a feature of the Linux kernel that allows the allocation, prioritization, control, and monitoring of resources such as CPU time, memory, network bandwidth among groups of Linux processes.

Cgroups is one of the underlying Linux kernel features that LXC is built upon. LXC automatically creates a cgroup for each container when it is started. A pre-requisite for using LXC is mounting the cgroup virtual filesystem.

Cgroups encompass a number of different subsystems or "controllers" that are used for managing and controlling different resources. The following subsystems/controllers are supported:

- `cpu` - controls CPU allocation for tasks in a cgroup
- `cpuset` - assigns individual CPUs and memory nodes to tasks in a cgroup
- `cpuacct` - generates automatic reports on CPU resources used by the tasks in a cgroup
- `memory` - isolates the memory behavior of a group of tasks from the rest of the system
- `devices` - allows or denies access to devices by tasks in a cgroup
- `freezer` - suspends or resumes tasks in a cgroup
- `net_cls` - tags packets with a class identifier that allows the Linux traffic controller to identify packets originating from a particular cgroup
- `net_prio` - provides a way to dynamically set the priority of network traffic per each network interface for applications within various cgroups
- `blkio` - controls and monitors access to I/O on block devices by tasks in cgroups

9.2.2.3 Linux Namespaces

Linux namespaces is a feature in the Linux kernel that allows you to unshare and isolate resources of a process, such as UTS, PID, IPC, file system mount and network from their parent. To achieve this, the kernel places the resources in different namespaces.

When LXC spawns the container's main process it unshares all these resources except the network. The network is controlled from the configuration file and is shared by default.

A network namespace provides an isolated view of the networking stack (network device interfaces, IPv4 and IPv6 protocol stacks, IP routing tables, firewall rules, the `/proc/net` and `/sys/class/net` directory trees, sockets, and so on). A physical network device can live in exactly one network namespace. A virtual network device ("veth") pair provides a pipe-like abstraction that can be used to create tunnels between network namespaces, and can be used to create a bridge to a physical network device in another namespace. When a network namespace is freed (that is, when the last process in the namespace terminates), its physical network devices are moved back to the initial network namespace (not to the parent of the process).

Each namespace is documented in the Linux **clone** man page. See: [clone \(2\)](#)

9.2.2.4 POSIX Capabilities

Linux supports the concept of file "capabilities", which provides fine grained control over what executable programs are permitted to do. Instead of the "all or nothing" paradigm where a super-user or "root" has the power to perform all operations, capabilities provide a mechanism to grant program-specific capabilities.

LXC uses this feature of the kernel to implement containers. By default processes running in a container will have **all** capabilities, but this can be configured. Capabilities can be dropped in the container's configuration file.

Each capability is documented in the Linux **capabilities** man page. See: [capabilities \(7\)](#)

In order to fully isolate a container, the capabilities to be dropped must be carefully considered. The Linux Vserver project considers only the following capabilities as **safe** for virtual private servers:

```
CAP_CHOWN
CAP_DAC_OVERRIDE
CAP_DAC_READ_SEARCH
CAP_FOWNER
CAP_FSETID
CAP_KILL
CAP_SETGID
CAP_SETUID
CAP_NET_BIND_SERVICE
CAP_SYS_CHROOT
CAP_SYS_PTRACE
```

```
CAP_SYS_BOOT
CAP_SYS_TTY_CONFIG
CAP_LEASE
```

(see: http://linux-vserver.org/Paper#Secure_Capabilities)

9.2.3 Libvirt

This document is a guide and tutorial to using libvirt on NXP SoCs. Libvirt is an open source toolkit that enables the management of Linux-based virtualization technologies such as KVM/QEMU virtual machines and Linux containers. The goal of the libvirt project (see <https://libvirt.org>) is to provide a stable, standard, hypervisor-agnostic interface for managing *virtualization domains* such as virtual machines and containers. Domains can be remote and libvirt provides full security for managing remote domains over a network. Libvirt is a layer intended to be used as a building block for higher-level management tools and applications.

Libvirt provides:

- An interface to remotely manage the lifecycle of virtualization domains – provisioning, start/stop, monitoring
- Support for a variety of hypervisors – KVM/QEMU and Linux Containers are supported in the NXP SDK
- libvirtd – a Linux daemon that runs on a target node/system and allows a libvirt management tool to manage virtualization domains on the node
- virsh – a basic command shell for managing libvirt domains
- A standard XML format for defining domains

9.2.3.1 Libvirt Domain Lifecycle

Two types of libvirt domains are supported – KVM/QEMU virtual machines and Linux containers. The following state diagram illustrates the lifecycle of a domain, the states that domains can be in and the virsh commands that move the domain between states.

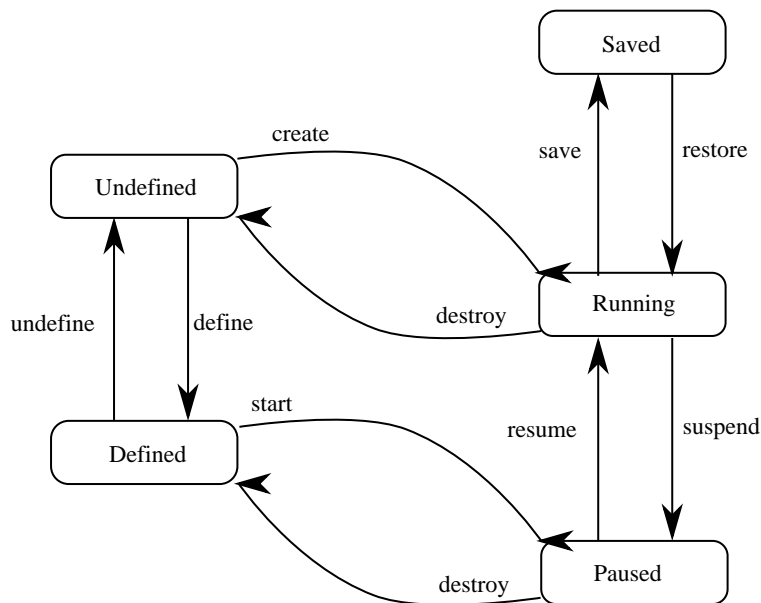


Figure 226. VM debugging by QEMU using GDB

9.2.3.2 Domain States

- **Undefined.** There are two types of domains – persistent and transient domains. All domains begin in the *undefined* state where they are defined in XML definition file, and libvirt is unaware of them.
- **Defined.** Persistent domains begin with being *defined*. This adds the domain to libvirt, but it is not running. This state can also be conceptually thought of as *stopped*. The output of `virsh list --all` shows the domain as being *shut off*.
- **Running.** The *running* state is the normal state of an active domain after it has been started. The `start` command is used to move persistent domains into this state. Transient domains go from being undefined to *running* through the `create` command.
- **Paused.** The domain execution has been suspended. The domain is unaware of being in this state.
- **Saved.** The domain state has been saved and could be restored again.

9.2.3.3 Libvirt URIs

Because libvirt supports managing multiple types of virtualization domains (possibly remote) it uses uniform resource identifiers (URIs) to describe the target *node* to manage and the type of domain being managed.

An URI is specified when tools such as `virsh` make a connection to a target node running libvirtd. Two types of URIs are supported – QEMU/KVM and LXC.

QEMU/KVM URIs are in the form:

- for a local node: `qemu:///system`
- for a remote node: `qemu[+transport]://[hostname]/system`

Linux containers URIs:

- for a local node: `lxc:///`
- for a remote node: `lxc[+transport]://[hostname]/`

A default URI can be specified using the environment variable `LIBVIRT_DEFAULT_URI` or in the `/etc/libvirt/libvirtd.conf` config file.

For further information on URIs:

- <https://libvirt.org/uri.html>
- https://libvirt.org/remote.html#Remote_URI_reference

9.2.3.4 Virsh

The `virsh` command is a command-line tool provided with the libvirt package for managing libvirt domains. It can be used to create, start, pause, shutdown domains. The general command format is:

```
virsh [OPTION]... <command> <domain> [ARG]...
```

9.2.3.5 Libvirt XML

The libvirt XML format is defined at <http://libvirt.org/format.html>.

9.2.3.6 Running libvirtd

The libvirtd daemon is installed as part of a libvirt packages installation. By default the target system init scripts should start libvirtd. Running libvirtd on the target system is a pre-requisite to running any management tools such as virsh. The libvirtd daemon can be manually started like this:

```
$ /etc/init.d/libvirtd start
```

In some circumstances, the daemon may need to be restarted, such as after mounting cgroups or hugetlbfs. Daemon restart can be done like this:

```
$ /etc/init.d/libvirtd restart
```

The libvirtd daemon can be configured in `/etc/libvirt/libvirtd.conf`. The file is self-documented and has detailed comments on the configuration options available.

The libvirt daemon logs data to `/var/log/libvirt/`:

- General libvirtd log messages are in: `/var/log/libvirt/libvirtd.log`
- QEMU/KVM domain logs are in: `/var/log/libvirt/qemu/[domain-name].log`
- LXC domains logs are in: `/var/log/libvirt/lxc/[domain-name].log`

The verbosity of logging can be controlled in `/etc/libvirt/libvirtd.conf`.

In order to be able to start virtual machines the user used to manage virtual machines need to be added to the libvirt group:

```
sudo adduser <USER> libvirt
```

9.2.3.7 Examples

9.2.3.8 Libvirt KVM/QEMU Examples

9.2.3.9 Virtio Block scenario

1. You can define a domain by using a libvirt XML format file:

```
$ virsh define kvm_virtio_blk.xml
Domain kvm_virtio_blk defined from kvm_virtio_blk.xml
$ virsh list --all
Id      Name                               State
-----
- kvm_virtio_blk                     shut off
```

Note:

You can find the full XML for this configuration in Annex 1.

2. Start the domain. This starts the VM and boots the Linux Guest from the `rootfs_<lsdk_version>_ubuntu_<distro_scale>_arm64.ext4` image.

```
$ virsh start kvm_virtio_blk
Domain kvm_virtio_blk started
$ virsh list
Id      Name                               State
-----
16     kvm_virtio_blk                     running
```

3. The *virsh console* command can be used to connect to the console of the running Linux domain.

```
$ virsh console kvm_virtio_blk
Connected to domain kvm_virtio_blk
Escape character is ^]
Ubuntu 16.04.3 LTS localhost ttyAMA0
localhost login: root
Password:
Welcome to Ubuntu 16.04.3 LTS (GNU/Linux 4.9.62 aarch64)
*Documentation: https://help.ubuntu.com
*Management: https://landscape.canonical.com
*Support: https://ubuntu.com/advantage
```

4. To stop the domain, use the *destroy* command:

```
$ virsh destroy kvm_virtio_blk
Domain kvm_virtio_blk destroyed
$ virsh list --all
 Id      Name                               State
-----
 -  kvm_virtio_blk                     shut off
```

5. To remove the domain from libvirt, use the *undefine* command:

```
$ virsh undefine kvm_virtio_blk
Domain kvm_virtio_blk has been undefined
$ virsh list --all
 Id      Name                               State
-----
```

9.2.3.10 Virtio Net scenario

This example uses a *virtio* model NIC card and a tap network backend. The virtual network interface is bridged via a TAP interface to the physical network.

Perform the following steps:

1. Enable virtio networking in the host and guest Linux kernels.
2. On the host, create a bridge to the physical network interface to be used by the virtual network interface in the virtual machine using the *brctl* command. In this example, the physical interface being used is *enp1s0*:

```
$ brctl addbr br0
$ ifconfig br0 192.168.1.10 netmask 255.255.248.0
$ ifconfig enp1s0 0.0.0.0
$ brctl addif br0 enp1s0
```

3. Create a *qemu-ifup* script on the host Linux system:

```
#!/bin/sh
#TAP interface will be passed in $1
bridge=br0
guest_device=$1
ifconfig $guest_device 0.0.0.0 up
brctl addif $bridge $guest_device
```

4. Define and start the domain. Check if the virtual network interface is created.

```
$ virsh define kvm_virtio_net.xml
Domain kvm_virtio_net defined from kvm_virtio_net.xml
$ virsh start kvm_virtio_net
Domain kvm_virtio_net started
$ virsh console kvm_virtio_net
```



```

Connected to domain kvm_virtio_net
Escape character is ^]
Ubuntu 16.04.3 LTS localhost ttyAMA0
localhost login: root
Password:
$ dmesg | grep virtio_net
[ 4.121280] virtio_net virtio1 enp0s2: renamed from eth0
$ ip a
1: lo: <LOOPBACK,UP,LOWER_UP> mtu 65536 qdisc noqueue state UNKNOWN group
  default qlen 1
link/loopback 00:00:00:00:00:00 brd 00:00:00:00:00:00
inet 127.0.0.1/8 scope host lo
  valid_lft forever preferred_lft forever
inet6 ::1/128 scope host
  valid_lft forever preferred_lft forever
2: enp0s2: <BROADCAST,MULTICAST> mtu 1500 qdisc noop state DOWN group default
  qlen 1000
link/ether 52:54:00:12:34:56 brd ff:ff:ff:ff:ff:ff
3: sit0@NONE: <NOARP> mtu 1480 qdisc noop state DOWN group default qlen 1
link/sit 0.0.0.0 brd 0.0.0.0
4: docker0: <BROADCAST,MULTICAST> mtu 1500 qdisc noop state DOWN group
  default
link/ether 02:42:81:50:d5:f5 brd ff:ff:ff:ff:ff:ff
inet 172.17.0.1/16 scope global docker0
  valid_lft forever preferred_lft forever

```

The libvirt XML generated and used in this scenario differs from the previous one by the following lines:

```

<qemu:commandline>
  <qemu:arg value='-netdev' />
  <qemu:arg value='tap,id=tap0,script=/root/qemu-
  ifup,downscript=no,ifname=tap0' />
  <qemu:arg value='-device' />
  <qemu:arg value='virtio-net-pci,netdev=tap0' />
</qemu:commandline>

```

Note:

- Currently libvirt has no support for PCI transport, but it can be used using passthrough QEMU command-line arguments (as seen in the previous xml).
- If you get the following error when starting the domain, use the steps from this [thread](#) to fix it.

```
could not open /dev/net/tun: Operation not permitted
```

- If you encounter the following error, a possible workaround is to add "seccomp_sandbox = 0" in /etc/libvirt/qemu.conf

```

error: Failed to start domain kvm_virtio_blk_dataplane
error: internal error: qemu unexpectedly closed the monitor:
 2021-07-06T03:48:09.082357Z qemu-system-aarch64: network script /root/qemu-
  ifup failed with status 31

```

- You can find the full XML for this configuration in Annex 2.

9.2.3.11 Virtio Block Dataplane

Virtio-blk-dataplane was developed for high performance disk I/O, especially for high IOPS devices. QEMU performs the disk I/O in a dedicated thread that is optimized for I/O performance.

Even though the scenario can use also a block device on the Linux host, the next steps will show how to implement this using a raw disk file.

Note: A direct translation between the qemu args is not possible using virsh that is why in this example, start from the XML used in the previous scenario and build on it.

1. Create the raw disk file:

```
$ dd if=/dev/zero of=/root/fake-dev0-backstore.img bs=1M count=300
```

2. Copy the libvirt XML file from the previous example:

```
$ cp kvm_virtio_net.xml kvm_virtio_blk_dataplane.xml
```

3. Change the *name* and *uuid* of the new domain. Define the number of *IOTthreads* to be assigned to the domain and used by the new storage device. Add the storage disk and assign it to the *iothread='1'*.

```
$ diff kvm_virtio_blk_dataplane.xml kvm_virtio_net.xml
```

```
2,3c2,3
< <name>kvm_virtio_blk_dataplane</name>
< <uuid>5c30747a-a2c9-485e-b814-2a503fef8657</uuid>
---
> <name>kvm_virtio_net</name>
> <uuid>5c30747a-a2c9-485e-b814-2a503fef8653</uuid>
22d21
< <iothreads>1</iothreads>
29,34d27
< </disk>
< <disk type='file' device='disk'>
< <driver name='qemu' type='raw' cache='none' io='native' iothread='1'/>
>
< <source file='/root/fake-dev0-backstore.img'/>
< <target dev='vdb' bus='virtio'/>
```

4. Start the new domain and check if virtio-blk-dataplane works properly.

```
$ virsh define kvm_virtio_blk_dataplane.xml
Domain kvm_virtio_blk_dataplane defined from kvm_virtio_blk_dataplane.xml
$ virsh start kvm_virtio_blk_dataplane
Domain kvm_virtio_blk_dataplane started
# After the guest boots, the virtual disk is visible as a block device with
the name vdb.
$ virsh console kvm_virtio_blk_dataplane
root@ls1028ardb:~# ls -la /dev/vd*
brw-rw---- 1 root disk 254, 0 Aug 23 12:00 /dev/vda
brw-rw---- 1 root disk 254, 16 Aug 23 12:00 /dev/vdb
# We can also check if the IOThread is correctly assigned to the domain.
$ virsh iothreadinfo kvm_virtio_blk_dataplane
IOThread ID CPU Affinity
-----
1          0-7
```

Note:

You can find the full XML for this configuration in Annex 3.

9.2.3.12 Libvirt LXC Examples

9.2.3.13 Basic Example

The following example shows the lifecycle of a simple LXC libvirt domain called `lxc_basic`.

1. Install the `libvirt-daemon-driver-lxc` package. This can be done with the `apt install libvirt-daemon-driver-lxc` command. Restart the libvirt daemon: `systemctl restart libvirtd`.
2. Create a libvirt XML file defining the container. The example below shows a very simple container defined in `lxc_basic.xml` that runs the command `/bin/sh` and has a console:

```
$ cat lxc_basic.xml
<domain type='lxc'>
  <name>lxc_basic</name>
  <memory>500000</memory>
  <os>
    <type>exe</type>
    <init>/bin/sh</init>
  </os>
  <devices>
    <console type='pty' />
  </devices>
</domain>
```

```
$ virsh -c lxc:/// define lxc_basic.xml
Domain lxc_basic defined from lxc_basic.xml
$ virsh -c lxc:/// list --all
 Id      Name                               State
-----
 - lxc_basic                               shut off
$ virsh -c lxc:/// start lxc_basic
Domain lxc_basic started
$ virsh -c lxc:/// console lxc_basic
Connected to domain lxc_basic
Escape character is ^]
#ps -ef
UID      PID  PPID  C  STIME TTY          TIME CMD
root      1    0    0  13:14 ?           00:00:00 /bin/sh
root      3    1    0  13:14 ?           00:00:00 ps -ef
```

Note:

The processes inside the container are running in a separate namespace, therefore the different process hierarchy. Since, no network configuration for the domain is explicitly specified, all networking interfaces are shared with the host (all the other interfaces are present too - `br0` is mentioned as an example). Since, no filesystem configuration is specified for the domain, the filesystem is shared with the host— all host mounts are present in the container as well.

9.2.3.14 Further Information

Libvirt is an open source project and a great deal of technical and usage information is available on the libvirt.org website:

Additional references:

- Architecture: <http://libvirt.org/intro.html>
- Deployment: <http://libvirt.org/deployment.htmlXML>

- Format: <http://libvirt.org/format.html>
- Virsh command reference: <http://linux.die.net/man/1/virsh>
- User generated content: http://wiki.libvirt.org/page/Main_Page

Mailing Lists. There are three libvirt mailing lists available which can be subscribed to. Archives of the lists are also available:

- <https://www.redhat.com/archives/libvir-list>
- <https://www.redhat.com/archives/libvirt-users>
- <https://www.redhat.com/archives/libvirt-announce>

9.2.3.15 Annex 1: kvm_virtio_blk.xml

```
<domain type='kvm'>
<name>kvm_virtio_blk</name>
<uuid>b8ec80c1-4fd6-4e08-aec7-02150fab316d</uuid>
<memory unit='KiB'>1048576</memory>
<currentMemory unit='KiB'>1048576</currentMemory>
<vcpu placement='static'>2</vcpu>
<os>
<type arch='aarch64' machine='virt'>hvm</type>
<kernel>/root/Image</kernel>
<cmdline>root=/dev/vda rw console=ttyAMA0 rootwait earlyprintk</cmdline>
</os>
<features>
<gic version='3' />
</features>
<cpu mode='custom' match='exact'>
<model fallback='allow'>host</model>
</cpu>
<clock offset='utc' />
<on_poweroff>destroy</on_poweroff>
<on_reboot>restart</on_reboot>
<on_crash>destroy</on_crash>
<devices>
<emulator>/usr/bin/qemu-system-aarch64</emulator>
<disk type='file' device='disk'>
<driver name='qemu' type='raw' />
<source file='/root/ls-image-main-<board>.ext4' />
<target dev='vda' bus='virtio' />
</disk>
<controller type='pci' index='0' model='pcie-root' />
<controller type='pci' index='1' model='dmi-to-pci-bridge' />
<controller type='pci' index='2' model='pci-bridge' />
<serial type='pty'>
<target port='0' />
</serial>
<console type='pty'>
<target type='serial' port='0' />
</console>
<memballoon model='none' />
</devices>
</domain>
```

9.2.3.16 Annex 2: kvm_virtio_net.xml

```
<domain type='kvm' xmlns:qemu='http://libvirt.org/schemas/domain/qemu/1.0'>
```

```

<name>kvm_virtio_net</name>
<uuid>5c30747a-a2c9-485e-b814-2a503fef8653</uuid>
<memory unit='KiB'>1048576</memory>
<currentMemory unit='KiB'>1048576</currentMemory>
<vcpu placement='static'>2</vcpu>
<os>
<type arch='aarch64' machine='virt'>hvm</type>
<kernel>/root/Image</kernel>
<cmdline>root=/dev/vda rw console=ttyAMA0 rootwait earlyprintk</cmdline>
</os>
<features>
<gic version='3'>/>
</features>
<cpu mode='custom' match='exact'>
<model fallback='allow'>host</model>
</cpu>
<clock offset='utc'>/>
<on_poweroff>destroy</on_poweroff>
<on_reboot>restart</on_reboot>
<on_crash>destroy</on_crash>
<devices>
<emulator>/usr/bin/qemu-system-aarch64</emulator>
<disk type='file' device='disk'>
<driver name='qemu' type='raw'>
<source file='/root/ls-image-main-<board>.ext4'>/>
<target dev='vda' bus='virtio'>/>
</disk>
<controller type='pci' index='0' model='pcie-root'>/>
<controller type='pci' index='1' model='dmi-to-pci-bridge'>/>
<controller type='pci' index='2' model='pci-bridge'>/>
<serial type='pty'>
<target port='0'>/>
</serial>
<console type='pty'>
<target type='serial' port='0'>/>
</console>
<memballoon model='none'>/>
</devices>
<qemu:commandline>
<qemu:arg value='-netdev'>/>
<qemu:arg value='tap,id=tap0,script=/root/qemu-ifup,downscript=no,ifname=tap0'>/>
<qemu:arg value='-device'>/>
<qemu:arg value='virtio-net-pci,netdev=tap0'>/>
</qemu:commandline>
</domain>

```

9.2.3.17 Annex 3: kvm_virtio_blk_dataplane.xml

```

<domain type='kvm' xmlns:qemu='http://libvirt.org/schemas/domain/qemu/1.0'>
<name>kvm_virtio_blk_dataplane</name>
<uuid>5c30747a-a2c9-485e-b814-2a503fef8657</uuid>
<memory unit='KiB'>1048576</memory>
<currentMemory unit='KiB'>1048576</currentMemory>
<vcpu placement='static'>2</vcpu>
<os>
<type arch='aarch64' machine='virt'>hvm</type>
<cmdline>root=/dev/vda rw console=ttyAMA0 rootwait earlyprintk</cmdline>
</os>
<features>

```

```
<gic version='3' />
</features>
<cpu mode='custom' match='exact'>
  <model fallback='allow'>host</model>
</cpu>
<clock offset='utc' />
<on_poweroff>destroy</on_poweroff>
<on_reboot>restart</on_reboot>
<on_crash>destroy</on_crash>
<iotthreads>1</iotthreads>
<devices>
  <emulator>/usr/bin/qemu-system-aarch64</emulator>
  <disk type='file' device='disk'>
    <driver name='qemu' type='raw' />
    <source file='/root/ls-image-main-<board>.ext4' />
    <target dev='vda' bus='virtio' />
  </disk>
  <disk type='file' device='disk'>
    <driver name='qemu' type='raw' cache='none' io='native' iotthread='1' />
    <source file='/root/fake-dev0-backstore.img' />
    <target dev='vdb' bus='virtio' />
  </disk>
  <controller type='pci' index='0' model='pcie-root' />
  <controller type='pci' index='1' model='dmi-to-pci-bridge' />
  <controller type='pci' index='2' model='pci-bridge' />
  <serial type='pty'>
    <target port='0' />
  </serial>
  <console type='pty'>
    <target type='serial' port='0' />
  </console>
  <memballoon model='none' />
</devices>
<qemu:commandline>
  <qemu:arg value='-netdev' />
  <qemu:arg value='tap,id=tap0,script=/root/qemu-
ifup,downscript=no,ifname=tap0' />
  <qemu:arg value='-device' />
  <qemu:arg value='virtio-net-pci,netdev=tap0' />
</qemu:commandline>
</domain>
```

9.3 Docker Containers

9.3.1 Introduction to Docker Containers

9.3.1.1 Overview

This section is a guide and tutorial to building and using Docker Containers. Docker Containers are only available on ARM64 platforms, with the exception of LS1043A Big Endian.

Docker is a different set of user space tools implementing Linux containers and focusing on a different set of use cases. The highlights of this open source project are ease of use, shared contributions, and fast deployment. In the Docker ecosystem, containers are application environment packages, which can be easily distributed and developed collaboratively, and are guaranteed to be reproducible on any supporting platform, from the development stage to production. Currently, Docker containers are mainly targeting cloud environments.

Docker can be viewed as a set of separate components:

- **Images:** the "build" component of Docker. These are read-only copies of container root filesystems, consisting of the designed application and its userspace dependencies. For example, an image can contain an Ubuntu application, an Apache server and a user web app. This image can be used to get a web server running.
- **Registries:** the "distribution" component of Docker. These are public or private stores where users can upload / download images. The images are versioned, and are built from layers. When sharing images, the layers are first downloaded separately, and the image is assembled at runtime. Each layer corresponds to a specific user commit. Images can also be built using build files. The most representative registry example is the [Docker Hub](#). The current Docker installation does not support registry configuration.
- **Containers:** the "run" component of Docker. These are very similar to the containers provided by the LXC package. The main difference is that Docker containers use an overlay filesystem as container support. The layers are taken as is from the image and marked read-only, with a topmost read-write layer on top. This means that no container makes any persistent changes to the image by default - these need to be explicitly committed by the user when the environment is in the desired state. Docker containers are designed to work as application containers by default.

Docker uses a [client-server architecture](#). The client takes the user commands and talks to a daemon, which does the entire container management work. A Linux host running the daemon is called a Docker Host. The client and daemon can run on the same machine, or on different ones, communicating through sockets or a RESTful API.

The [Docker official page](#) advertises a set of use cases, mostly relevant in cloud environments: continuous integration, continuous delivery, devops, big data, and infrastructure optimization. These can be easily adapted to embedded distributions as well. As for the containers themselves, the [Linux Containers](#) section use cases apply, with a focus on ease of use, fast deployment, and distributed usage.

9.3.2 Docker How To's

9.3.2.1 Running a web server container

The following article describes the necessary steps to deploy a web server service using a Docker container. This is based on downloading a prepared image from the Docker hub and using it to start a container.

1. Verify if the docker daemon is running. Ensure that the board has Internet access. This is required to download the image from the Docker Hub. The daemon configures a Linux bridge for the containers with a private network and NAT. To verify whether the docker daemon is running, use any of the following commands:

```
$ docker info
$ docker version
```

In this case, the docker daemon is configured to start at boot time. But, if for any reason the daemon is not running, then use the following command:

```
root@ls1028ardb:~# dockerd
```

2. You can search the registry for the available **arm64** images, or use any other keywords.

```
root@ls1028ardb:~# docker search arm64
NAME                DESCRIPTION                STARS     OFFICIAL   AUTOMATED
ericvh/arm64-ubuntu Base image for arm64 (armv8 aka aarch64) U... 6
owlab/alpine-arm64  This is Alpine Linux for arm64 (or aarch64) 3
necrose99/gentoo-arm64 Arm64 with qemu-arm64 static AMD64 host h... 1 [OK]
mickaelguene/arm64-debian Arm64 debian base with umeq install so you... 1 [OK]
markusk/arm64-crosscompile A debian image with the necessary tools in... 1 [OK]
snapcraft/zesty-arm64 Docker image for building Ubuntu snaps 0 [OK]
```

```
mickaelguene/arm64-debian-jenkins-slave arm64 with java and sshd with umeq so you ... 0
[OK]
containerstack/alpine-arm64 Alpine Linux (arm64/aarch64) Docker image 0 [OK]
arm64el/helloworld-arm64el hello world for arm64 el platform 0 [OK]
arm64el/busybox-arm64el busybox image for arm64 0 [OK]
eqw3rty/minecraft-server-arm64 Dockerized Minecraft server for arm64 0 [OK]
arm64el/unshare-arm64el unshare image for arm64el platform 0 [OK]
mickaelguene/arm64-debian-dev arm64 debian images with development tool ... 0 [OK]
necrose99/gentoo-arm64-chroot base Gentoo AMD64 + ARM64 CHROOT volume. ... 0 [OK]
marcust/jessie-arm64-rust Debian Jessie (arm64) image containing a R... 0
ip4368/node-arm64 Node.js is a JavaScript-based platform for... 0
marcust/bionic-arm64-rust Ubuntu bionic (arm64) image containing a R... 0
snapcraft/bionic-arm64 Docker image for building Ubuntu snaps 0 [OK]
jefby/arm64 arm64 develop 0
dil001/nginx-arm64 These are the arm64 version of the officia... 0
knjcode/arm64-node arm64-compatible Docker base image with No... 0
parity/rust-arm64 RUST for GitLab CI runner (ARM64 architect... 0 [OK]
thenatureofsoftware/mc-arm64 Minio client for arm64 0
thenatureofsoftware/ubuntu-arm64 Ubuntu slim images for arm64 0
dil001/fluentd-arm64 arm64 fork of the offical docker images 0
```

3. In this example, qoriq/arm64-ubuntu is used. It is a standard Ubuntu compiled for ARM64, with a lighttpd web server installed and with a homepage configured to display some information on the board, processes, and networking in the container. First download the image.

```
root@ls1028ardb:~# docker pull qoriq/arm64-ubuntu
Using default tag: latest
latest: Pulling from qoriq/arm64-ubuntu
a3ed95caeb02: Pull complete
9025035f8d16: Pull complete
d54663dfcaf9: Pull complete
b940f6a4f33c: Pull complete
688957367bc4: Pull complete
88ca67eab938: Pull complete
f5f1cla40562: Pull complete
688957367bc4: Pull complete
88ca67eab938: Pull complete
f5f1cla40562: Pull complete
357cdf8f1a01: Pull complete
de8e5d34ebd8: Pull complete
811aa6d4eba3: Pull complete
0dc75b6c54d0: Pull complete
654cadd8a53b: Pull complete
40d300e17719: Pull complete
ce42abd87d1e: Pull complete
Digest: sha256:eaef3a08336f59155e6cfb61bf55688711214561ddf00817b5c848211ac66b00
Status: Downloaded newer image for qoriq/arm64-ubuntu:latest
```

You can check the image is available using docker images:

```
root@ls1028ardb:~# docker images
REPOSITORY TAG IMAGE ID CREATED SIZE
qoriq/arm64-ubuntu latest 903eaef3b724 12 months ago 326.4 MB
root@ls1028ardb:~#
```

4. Start a container using the following command:

```
root@ls1028ardb:~# docker run -d -p 30081:80 --name=sandbox1 \
-h sandbox1 qoriq/arm64-ubuntu \
bash -c "lighttpd -f /etc/lighttpd/lighttpd.conf -D"
```

- run - create and start the container. Optionally, download the image if not available on the host.
- -d - start the container as a daemon.
- -p 30081:80 - forward port 80 in the container to port 30081 on the board.
- --name=sandbox1 - the name of the container (as visible to Docker).
- -h sandbox1 - the host name inside the container.
- qoriq/arm64-ubuntu - the base image for the container.
- bash -c "lighttpd -f /etc/lighttpd/lighttpd.conf -D" - the command to execute as PID 1 in the container.

The command will return a unique SHA for the container. You can check that the web server is up and running by accessing `http://BOARD_IP:30081/` from a browser. You can also check the container is running using docker:

```
root@ls1028ardb:~# docker ps -a
CONTAINERID IMAGE COMMAND CREATED STATUS PORTS NAMES
b5b8a45db81c qorIQ/arm64-ubuntu "bash -c 'lighttpd -f" 16 hours ago Exited (0)16 hours ago
sandbox1
```

5. Stopping and deleting the container are easy operations:

```
root@ls1028ardb:~# docker stop sandbox1
sandbox1
root@ls1028ardb:~# docker rm sandbox1
sandbox1
```

6. A similar command can be used to delete the image from the board.

```
root@ls1028ardb:~# docker rmi qorIQ/arm64-ubuntu
Untagged: qorIQ/arm64-ubuntu:latest
Untagged: qorIQ/arm64-ubuntu@sha256:eaef3a08336f59155e6cfb61bf55688711214561ddf00817b5c848211ac66b00
Deleted: sha256:903eaef3b724061211df4308f4d598ae1dee14b696a4b01654175b6771520f1
Deleted: sha256:48e73c491543279a59d202470394f0f91acd9b3a8a6f5f9befa933bc4cf4776a
Deleted: sha256:e21b9d6aa0007e242abb10948b13c93e4471694695a91a47d639f45927f25eb6
Deleted: sha256:7ec2184e81ef396a206e965e6dae42a122c4348dd7cfee1b731aa59931a5ec82
Deleted: sha256:0b081c8c711c2d14522ealb5763e5ead19ab2975e4c28864a0ee2c0942ebae43
Deleted: sha256:b256d9ce72b40a1dc9dfdb13003a44976ba81e4fb31e774e913ed57241424231
Deleted: sha256:e07c8e0adb08295db7e3f2e13f41be622d5b8590575f87813922dd4ef0914e8f
Deleted: sha256:09ec9672e9e6d30855f1274415edf6a023b86764261b6cd88fc2b692f997977d
Deleted: sha256:d29d57006e3df9a03fb3d430183166c9337378404c1ad66db391251ea24592fd
Deleted: sha256:84be8839209cbbecd3b3f064b9593e16d30468d71c788fc3ab8f3125990002bf
Deleted: sha256:09be261c306e6c01756d16c31e2a9d4b638e8d205a068b767cb0a078480633a9
Deleted: sha256:47d9e04c91309d23f8135f579a302c2309b206cb392c42c55ec13b2c26fb317f
Deleted: sha256:8495eed3352e7d2a237f179e3a3a6e449a56821a77e2efd943bc9ccf8d6d964c
Deleted: sha256:423a2c50f96dad2f267bbbellaa8a9efc21e776419fbd618ec1a9a21e918c918b
Deleted: sha256:67629909bfc67e60ba87451caf1f98b375e8b81f21a87bab5f5e2740a78c025b
Deleted: sha256:f821f1edffff4c38033e84024e844e503d5e0e470155c4bd69ec3f0af04f01b6b
Deleted: sha256:837a3e2cff8f61610e7672192dac0342041c30b2548a3a63a47b92d964a862c8a
Deleted: sha256:129149fe5b4dc97f940c38cd37cfa3fc06bbdc12a8d9d22e4aa3b3e4ff709346
```

10 Power management

10.1 Power management user manual

10.1.1 Linux SDK for QorIQ Processors

QorIQ Processors have features to minimize power consumption at several different levels. All processors support sleep mode (LPM20/SWLPM20). Some processors, such as T1040, LS1021, also support deep sleep mode (LPM35).

The following power management features are supported on various QorIQ processors:

- Dynamic power management
- Shutting down unused IP blocks
- Cores support low-power modes (such as PW15)
- Processors enter low-power state (LPM20/SWLPM20, LPM35)
 - LPM20/SWLPM20 mode: most parts of processor clocks are shut down
 - LPM35 mode: power is removed to cores, cache and IP blocks of the processor, such as DIU, eLBC, PEX, eTSEC, USB, SATA, eSDHC
- CPU hotplug: If cores are down at runtime, they enter low-power state.

The wake-up event sources caused quitting from low-power mode are listed as below:

- Wake on LAN (WoL) using magic packet

- Wake by MPIC timer or FlexTimer
- Wake by Internal and external interrupts, such as GPIO

For more information on a specific processor, see the SoC Reference Manual.

10.1.2 Kernel configure tree view options

For Arm platforms

Kernel configure tree view options	Description
<pre>Power management options --> [*] Suspend to RAM and standby</pre>	Enable sleep feature
<pre>Device Drivers ---> Real Time Clock ---> [*] Freescale FlexTimer alarm timer</pre>	Enable Flextimer alarm driver (for Flextimer wakeup case only)
<pre>Device Drivers ---> --* GPIO Support --> [*] /sys/class/gpio/...(sysfs interface) Memory mapped GPIO drivers ---> [*] MPC512x/MPC8xxx/QorIQ GPIO support</pre>	Enable GPIO driver (for GPIO wakeup case only)
<pre>CPU Power Management ---> CPU Idle ---> [*] CPU idle PM support [*] Ladder governor (for periodic timer tick) --* Menu governor (for tickless system) Arm CPU Idle Drivers ---> [*] Generic Arm/Arm64 CPU idle Driver</pre>	Enable the CPU Idle driver

10.1.3 Compile-time configuration options

Linux framework	Hardware feature	Platform	Kernel config
Suspend	LPM20/SWLPM20	LS1012A, LS1021A, LS1046A, LS1043A, LS1088A, LS2088A, LX2160A, LS1028A	CONFIG_SUSPEND
RTC wake	Wake by Flextimer	LS1012A, LS1021A, LS1046A, LS1043A, LS1088A,	CONFIG_RTC_DRV_FSL_FTM_ALARM

Linux framework	Hardware feature	Platform	Kernel config
		LS2088A, LX2160A, LS1028A	
GPIO wake	Wake by GPIO pin	LS1012A, LS1021A, LS1046A, LS1043A, LS1088A, LS2088A, LX2160A, LS1028A	CONFIG_GPIO_MPC8XXX
CPU idle	PH20/PW20/PW15	LS1012A, LS1021A, LS1046A, LS1043A, LS1088A, LS2088A, LX2160A, LS1028A	CONFIG_ARM_CPUIDLE

10.1.4 Device tree binding

Property	Type	Description
fsl, #rcpm-wakeup-cells	unsigned int	The number of cells in "rcpm-wakeup" except the pointer to "rcpm"
little-endian	bool	Present if RCPM register is little-endian (such as LS1088A, LS2088A, LX2160A)
fsl, rcpm-wakeup	unsigned int	Specify how to program register IPPDEXPCRn to prevent wakeup source related IP (RTC/GPIO/...) from being off (clock gated) during LPM20

For processors with integrated RCPM

```
aliases {
    rtc1 = &ftm_alarm0;
};
rcpm: rcpm@1ee208c {
    compatible = "fsl,ls1046a-rcpm", "fsl,qoriq-rcpm-2.1+";
    reg = <0x0 0x1ee2140 0x0 0x4>;
    #fsl,rcpm-wakeup-cells = <1>;
};
//RTC as wakeup source:
ftm_alarm0: timer@29d0000 {
    compatible = "fsl,ls1046a-ftm-alarm";
    reg = <0x0 0x29d0000 0x0 0x10000>;
    fsl,rcpm-wakeup = <&rcpm 0x20000>;
    interrupts = <GIC_SPI 86 IRQ_TYPE_LEVEL_HIGH>;
    big-endian;
};
//GPIO as wakeup source:
```

```
gpio3: gpio@2320000 {
    compatible = "fsl,ls1028a-gpio", "fsl,qoriq-gpio";
    reg = <0x0 0x2320000 0x0 0x10000>;
    interrupts = <GIC_SPI 37 IRQ_TYPE_LEVEL_HIGH>;
    gpio-controller;
    #gpio-cells = <2>;
    interrupt-controller;
    #interrupt-cells = <2>;
    little-endian;
    fsl,rcpm-wakeup = <&rcpm 0x0 0x0 0x0 0x0 0x200 0x0 0x0>;
};
```

See the Linux document: [Documentation/devicetree/bindings/soc/fsl/rcpm.txt](#)

10.1.5 Source files

The source files are maintained in the Linux kernel source tree.

Source file	Description
drivers/soc/fsl/rcpm.c	The RCPM driver needed by the sleep feature
drivers rtc/rtc-fsl-ftm-alarm.c	The FTM timer driver that works as wakeup source
drivers/gpio/gpio-mpc8xxx.c	The GPIO driver that works as wakeup source
drivers/cpuidle/cpuidle-arm.c	The cpuidle driver for Arm core

10.1.6 Verification in Linux

- Cpuidle Driver

The cpuidle driver can switch CPU state according to the idle policy (governor). For more information, see "Documentation/cpuidle/sysfs.txt" in kernel source code.

```
/* Check the cpuidle driver which is currently used. */
# cat /sys/devices/system/cpu/cpuidle/current_driver
/* Check the following directory to see the detailed statistic information of
each state on each CPU. */
/sys/devices/system/cpu/cpu0/cpuidle/state0/
/sys/devices/system/cpu/cpu0/cpuidle/state1/
```

- CPU hot plug

CPU can enter sleep which reduces the power consumption dramatically.

```
# echo 0 > /sys/devices/system/cpu/cpu2/online
# echo 1 > /sys/devices/system/cpu/cpu2/online
# echo 0 > /sys/devices/system/cpu/cpu0/online
# echo 1 > /sys/devices/system/cpu/cpu0/online
```

- Sleep and Wake up by FTM timer

Starts an FTM timer. It triggers an interrupt to wake up the system in 10 seconds.

```
echo 0 > /sys/class/rtc/rtc1/wakealarm && echo +10 >/sys/class/rtc/rtc1/
wakealarm && echo mem > /proc/power/state # Suspend-to-RAM
echo 0 > /sys/class/rtc/rtc1/wakealarm && echo +10 >/sys/class/rtc/rtc1/
wakealarm && echo freeze > /proc/power/state # Suspend-to-Idle
```

- Sleep and Wake up by GPIO

Note: For GPIO wakeup feature, some GPIO pins are muxed with other signals on SoC/board. Therefore, ensure that you are using the correct RCW image and proper U-Boot commands (if needed) to enable the target GPIO pin you want to test,

Following are the example steps for enabling **GPIO3_DAT12** on LS1028ARDB. For other case, please see SoC and board reference manuals.

1. Update RCW on related pin mux:

In RCW source file, `ls1028ardb/R_SQPP_0x85bb/rcw_800.rcw`, change value of item `EC1_SAI4_5_PMUX` from 5 to 1.

2. Update GPIO kernel driver and device tree to enable the wake function:

- a. In the Linux kernel source file, `arch/arm64/boot/dts/freescale/fsl-ls1028a.dtsi`, add following property to node `gpio3: gpio@2320000` to apply proper programming on IPPDEXPCRn for GPIO wakeup.

```
fsl,rcpm-wakeup = <&rcpm 0x0 0x0 0x0 0x0 0x200 0x0 0x0>;
```

- b. In the Linux kernel source file, `drivers/gpio/gpio-mpc8xxx.c`, add the following callings to the end of function `mpc8xxx_probe()` to enable the GPIO `irq` wake function.

```
device_init_wakeup(&pdev->dev, true);
enable_irq_wake(mpc8xxx_gc->irqn);
```

3. Boot to Linux console, execute following commands to export specific GPIO pin in the Linux user space and enable interrupt, order system to sleep (Suspend-RAM/Suspend-to-Idle).

```
echo 428 > /sys/class/gpio/export # Export related GPIO pin in userspace
echo input > /sys/class/gpio/gpio428/direction
echo falling > /sys/class/gpio/gpio428/edge
```

4. Order system to sleep (Suspend-RAM/Suspend-to-Idle).

```
echo mem > /proc/power/state # Suspend-to-RAM
echo freeze > /proc/power/state # Suspend-to-Idle
```

5. On LS1028ARDB, short J11 pin 1 and 11 to trigger GPIO interrupt (as shown in the following figure), to wake up the system.

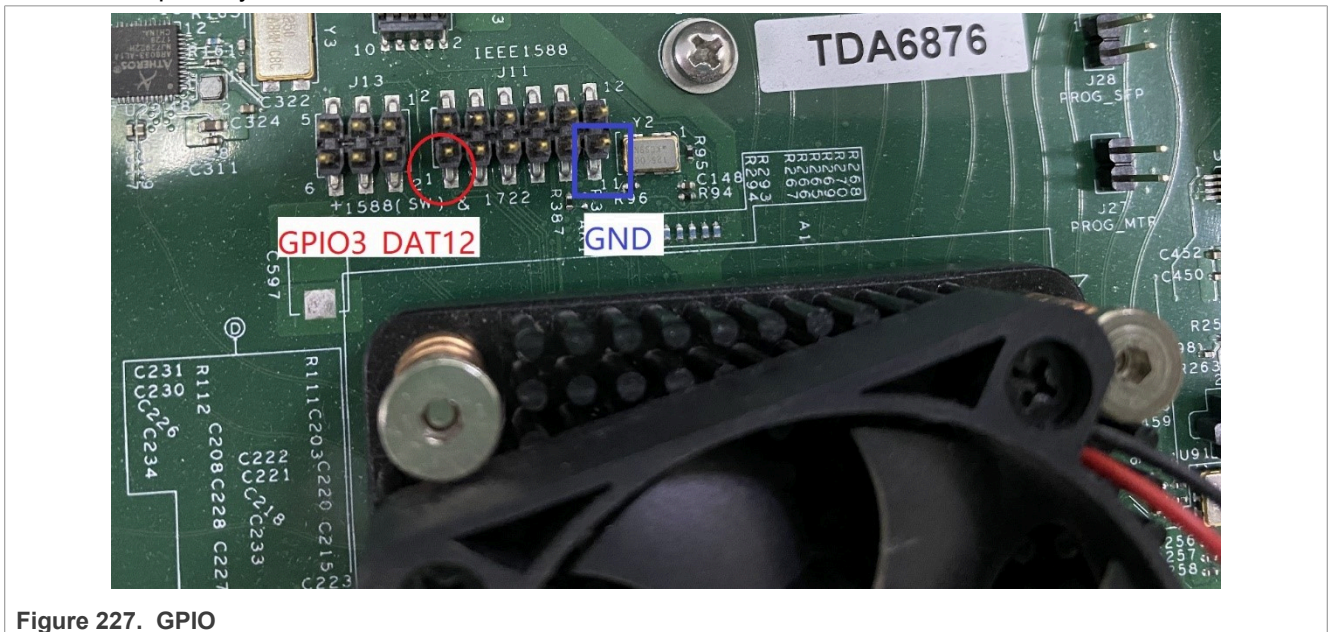


Figure 227. GPIO

10.1.7 Supporting documentation

QorIQ processor reference manuals

10.2 CPU Frequency Switching User Manual

10.2.1 Linux SDK for QorIQ Processors

10.2.2 Abbreviations and Acronyms

DFS: Dynamic Frequency Scaling

10.2.3 Description

QorIQ Processors support DFS (Dynamic Frequency Switching) feature, also known as CPU Frequency Switch, which can change the frequency of cores dynamically.

For more information on a specific processor, refer to processor Reference Manual.

Kernel Configure Tree View Options	Description
<pre> CPU Power Management --> CPU Frequency scaling --> [*] CPU Frequency scaling <*> CPU frequency translation statistics Default CPUFreq governor (userspace) --> *- 'userspace' governor for userspace frequency scaling Arm CPU frequency scaling drivers --> <*> CPU frequency scaling driver for Freescale QorIQ SoCs </pre>	Enable the CPU frequency driver

10.2.4 Compile-time Configuration Options

Linux Framework	Hardware Feature	Platform	Kernel Config
cpufreq	DFS	DFS	CONFIG_CPU_FREQ, CONFIG_CPU_FREQ_DEFAULT_GOV_USERSPACE
cpufreq	DFS	Layerscape	CONFIG_QORIQ_CPUFREQ

10.2.5 User Space Application

Simply using command "cat" and "echo" can verify this feature.

10.2.6 Device Tree Binding

Property	Type	Status	Description
#clock-cells	unsigned int	Required	The number of cells in a clock-specifier
clocks	handle	Required	Clock source handle
compatible	String	Required	Compatible strings
reg	unsigned int	Required	register address range

```
clockgen: clocking@1ee1000 {
```

```
compatible = "fsl,ls1012a-clockgen";
reg = <0x0 0x1ee1000 0x0 0x1000>;
#clock-cells = <2>;
clocks = <&sysclk &coreclk>;
        clock-names = "sysclk", "coreclk";
};
```

10.2.7 Source Files

The driver source is maintained in the Linux kernel source tree.

Source File	Description
drivers/cpufreq/qoriq-cpufreq.c	CPU frequency scaling driver for qoriq chips

10.2.8 Verification in Linux

- CPU frequency mode

```
In order to test the CPU frequency scaling feature, we need to enable the CPU
frequency feature on the
menuconfig and choose the USERSPACE governor.
You can learn more about CPU frequency scaling feature by referring to the
kernel documents.
They all are put under Documentation/cpu-freq/ directory.
For example: all the information about governors is put in Documentation/cpu-
freq/governors.txt.
Test step:
1. list all the frequencies a core can support (take cpu 0 for example) :
# cat /sys/devices/system/cpu/cpu0/cpufreq/scaling_available_frequencies
1199999 599999 299999 799999 399999 199999 1066666 533333 266666
2. check the CPU's current frequency
# cat /sys/devices/system/cpu/cpu0/cpufreq/scaling_cur_freq
1199999
3. change the CPU's frequency we expect:
# echo 799999 > /sys/devices/system/cpu/cpu0/cpufreq/scaling_setspeed
You can check the CPU's current frequency again to confirm if the frequency
transition is successful.
Please note that if the frequency you want to change to doesn't support by
current CPU, kernel will
round up or down to one CPU supports.
```

10.3 Thermal management user manual

10.3.1 Description

The thermal management function is based on TMU (Thermal Monitoring Unit).

The driver sets two thresholds for management function. If the CPU temperature crosses the first one (75 C for LS2080. 85 C for other platforms), the driver will trigger CPU frequency limitation auto-scaling according to the temperature trend; If the CPU temperature crosses the second one (85 C for LS2080, 95 C for other platforms, critical for core) the driver will shut down the system.

User could also get current temperature through sysfs interface.

10.3.2 Specifications

Target boards:	T1040RDB, T1042RDB, T1023RDB, T1024RDB, LS1012ARDB, TWR-LS1021A, LS1028ARDB, LS1043ARDB, LS1046ARDB, LS1088ARDB, LS2088ARDB, LX2160ARDB, LX2162AQDS
Operating system:	Linux 3.12+

10.3.3 Kernel Configure Tree View Options (For PowerPC platform)

Kernel Configure Tree View Options	Description
<pre>Platform support ---> CPU Frequency scaling ---> PowerPC CPU frequency scaling drivers ---> <*> CPU frequency scaling driver for NXP QorIQ SoCs</pre>	Enable CPUfreq driver.
<pre>Device Drivers ---> [*] Generic Thermal sysfs driver ---> [*] generic cpu cooling support [*] Freescale QorIQ Thermal Monitoring Unit</pre>	Enable thermal management framework, cpu cooling device support and QorIQ thermal driver.

10.3.4 Kernel Configure Tree View Options (For Arm platform)

Kernel Configure Tree View Options	Description
<pre>CPU Power Management ---> CPU Frequency scaling ---> Arm CPU frequency scaling drivers ---> <*> CPU frequency scaling driver for NXP QorIQ SoCs</pre>	Enable CPUfreq driver.
<pre>Device Drivers ---> [*] Generic Thermal sysfs driver ---> [*] generic cpu cooling support [*] Freescale QorIQ Thermal Monitoring Unit</pre>	Enable thermal management framework, cpu cooling device support and QorIQ thermal driver.

10.3.5 Compile-time Configuration Options

Option	Values	Default Value	Description
CONFIG_QORIQ_CPUFREQ	y/n	n	Enable QorIQ CPUfreq driver
CONFIG_THERMAL	y/m/n	n	Enable thermal management support
CONFIG_CPU_THERMAL	y/m/n	n	Enable cpu cooling device support
CONFIG_QORIQ_THERMAL	y/m/n	n	Enable QorIQ thermal driver

10.3.6 Device Tree Binding

```

tmu: tmu@f0000 {
    compatible = "fsl,qoriq-tmu";
    reg = <0xf0000 0x1000>;
    interrupts = <18 2 0 0>;
    fsl,tmu-range = <0x000a0000 0x00090026 0x0008004a 0x0001006a>;
    fsl,tmu-calibration = <0x00000000 0x00000025
        0x00000001 0x00000028
        0x00000002 0x0000002d
        0x00000003 0x00000031
        0x00000004 0x00000036
        0x00000005 0x0000003a
        0x00000006 0x00000040
        0x00000007 0x00000044
        0x00000008 0x0000004a
        0x00000009 0x0000004f
        0x0000000a 0x00000054
        0x00010000 0x0000000d
        0x00010001 0x00000013
        0x00010002 0x00000019
        0x00010003 0x0000001f
        0x00010004 0x00000025
        0x00010005 0x0000002d
        0x00010006 0x00000033
        0x00010007 0x00000043
        0x00010008 0x0000004b
        0x00010009 0x00000053
        0x00020000 0x00000010
        0x00020001 0x00000017
        0x00020002 0x0000001f
        0x00020003 0x00000029
        0x00020004 0x00000031
        0x00020005 0x0000003c
        0x00020006 0x00000042
        0x00020007 0x0000004d
        0x00020008 0x00000056
        0x00030000 0x00000012
        0x00030001 0x0000001d>;
};
    
```

10.3.7 Source Files

The driver source is maintained in the Linux kernel source tree.

Source File	Description
drivers/thermal/qoriq_thermal.c	QorIQ thermal driver.

10.3.8 Verification in Linux

There are two parts for verification: management and monitor.

[Management:]

1. When CPU temperature crosses the first threshold, CPU frequency may be reduced by changing frequency limitation, use the following command to check the current frequency:

```
~$ cat /sys/devices/system/cpu/cpu*/cpufreq/scaling_cur_freq
```

2. When CPU temperature crosses the second threshold, the system shuts down.

[Monitor:]

```
~$ cat /sys/class/thermal/thermal_zone*/temp
35000
36000
35000
...
# There can be multiple outputs according to the thermal zone number of the
system. The temperature are 35 C, 36 C, 35 C etc.
```

10.4 System Monitor

10.4.1 Power Monitor User Manual

Power Monitoring User Manual provides details about how to measure power consumption on some NXP QorIQ (PowerPC) reference boards using an external ina2xx chip.

The Power Monitor is supported on P4080DS, P5020DS, P5040DS, T4240QDS, T1040RDB, T1042RDB, T1023RDB, T1024RDB, LS1012ARDB, TWR-LS1021A, LS1028ARDB, LS1043ARDB, LS1046ARDB, LS1088ARDB, LS2088ARDB, LX2160ARDB, LX2162AQDS.

This User guide uses the LS1046ARDB board as an example.

10.4.1.1 Power Monitoring Configuration and Test Steps

The Lm-sensors tool (download from <http://dl.lm-sensors.org/lm-sensors/releases>) will be used to read the power/temperature from on-boards sensors. The drivers vary from sensor to sensor. Basically they would be INA220, ZL6100 and ADT7461 and so on.

The device driver support either a built-in kernel or module loading.

Kernel Configure Tree View Options

Option	Description
<pre>Device Drivers ---> <*> Hardware Monitoring support ---> <*> Texas Instruments INA219 and compatibles</pre>	Enables INA220
<pre>Device Drivers ---></pre>	Enables I2C block device driver support

Option	Description
<pre>[*] Enable compatibility bits for old user-space <*> I2C device interface [*] Autoselect pertinent helper modules I2C Hardware Bus support ---> <*> MPC107/824x/85xx/512x/52xx/83xx/86xx</pre>	
<pre>Device Drivers ---> <*> I2C bus multiplexing support Multiplexer I2C Chip support ---> <*> NXP PCA954x and PCA984x I2C Mux/switches</pre>	Enables I2C bus multiplexing PCA9547

Compile-time Configuration Options

Option	Values	Default Value	Description
CONFIG_I2C_MPC	y/n	y	Enable I2C bus protocol
SENSORS_INA2XX	y/n	y	Enables INA220
CONFIG_I2C_MUX_PCA954x	y/n	y	Enables I2C multiplexing PCA9547

Device Tree Binding

Property	Type	Status	Description
compatible	String	Required	"nxp,pca9547" for pca9547
reg	integer	Required	reg = <0x77>
compatible	String	Required	"ti,ina220" for ina220
reg	integer	Required	reg = <the i2c address of ina220>

```
Default node:
i2c@118000 {
    pca9547@77 {
        compatible = "nxp,pca9547";
        reg = <0x77>;
        #address-cells = <1>;
        #size-cells = <0>;
        channel@2 {
            #address-cells = <1>;
            #size-cells = <0>;
            reg = <0x2>;
            ina220@40 {
                compatible = "ti,ina220";
                reg = <0x40>;
                shunt-resistor = <1000>;
            };
        };
    };
};
```

```

        ina220@41 {
            compatible = "ti,ina220";
            reg = <0x41>;
            shunt-resistor = <1000>;
        };
        ina220@44 {
            compatible = "ti,ina220";
            reg = <0x44>;
            shunt-resistor = <1000>;
        };
        ina220@45 {
            compatible = "ti,ina220";
            reg = <0x45>;
            shunt-resistor = <1000>;
        };
        ina220@46 {
            compatible = "ti,ina220";
            reg = <0x46>;
            shunt-resistor = <1000>;
        };
        ina220@47 {
            compatible = "ti,ina220";
            reg = <0x47>;
            shunt-resistor = <1000>;
        };
    };
};
};

```

Source Files

The driver source is maintained in the Linux kernel source tree.

Source File	Description
drivers/i2c/muxes/i2c-mux-pca954x.c	PCA9547 driver
drivers/hwmon/ina2xx.c	ina220 driver

Test Procedure

Do the following to validate under the kernel

1. The bootup information is displayed:

```

.....
i2c /dev entries driver
mpc-i2c ffe118000.i2c: timeout 1000000 us
mpc-i2c ffe118100.i2c: timeout 1000000 us
mpc-i2c ffe119000.i2c: timeout 1000000 us
mpc-i2c ffe119100.i2c: timeout 1000000 us
i2c i2c-0: Added multiplexed i2c bus 6
i2c i2c-0: Added multiplexed i2c bus 7
i2c i2c-0: Added multiplexed i2c bus 8
i2c i2c-0: Added multiplexed i2c bus 9
i2c i2c-0: Added multiplexed i2c bus 10
i2c i2c-0: Added multiplexed i2c bus 11
i2c i2c-0: Added multiplexed i2c bus 12
i2c i2c-0: Added multiplexed i2c bus 13
pca954x 0-0077: registered 8 multiplexed busses for I2C mux pca9547
ina2xx 8-0040: power monitor ina220 (Rshunt = 1000 uOhm)
ina2xx 8-0041: power monitor ina220 (Rshunt = 1000 uOhm)
ina2xx 8-0045: power monitor ina220 (Rshunt = 1000 uOhm)

```

```

ina2xx 8-0046: power monitor ina220 (Rshunt = 1000 uOhm)
ina2xx 8-0047: power monitor ina220 (Rshunt = 1000 uOhm)
ina2xx 8-0044: power monitor ina220 (Rshunt = 1000 uOhm)
.....

root@LS1046ARDB:~# sensors
ina220-i2c-0-40
Adapter: 2180000.i2c
in0:          +0.01 V
in1:          +1.04 V
power1:       6.82 W
curr1:        +6.48 A
adt7461-i2c-0-4c
Adapter: 2180000.i2c
temp1:        +29.0°C (low = +0.0°C, high = +85.0°C)
                (crit = +85.0°C, hyst = +75.0°C)
temp2:        +47.8°C (low = +0.0°C, high = +85.0°C)
                (crit = +85.0°C, hyst = +75.0°C)
    
```

Note: Please make sure to include the "sensors" command in your rootfs

10.4.2 Thermal Monitor User Manual

10.4.2.1 Description

The Temperature Monitoring function is provided by the chip ADT7461.

For LX2160ARDB Rev2, the chip is SA56004ED and SA56004FD.

This driver exports the values of Temperature to SYSFS. The user space lm-sensors tools can get and display these values.

10.4.2.2 Kernel Configure Tree View Options

Kernel Configure Tree View Options	Description
<pre> Device Drivers ---> [*] Hardware Monitoring support ---> [*] National Semiconductor LM90 and compatibles </pre>	Enable thermal monitor chip driver like ADT7461.
<pre> Device Drivers ---> <*> I2C bus multiplexing support ---> Multiplexer I2C Chip support ---> <*> NXP PCA954x and PCA984x I2C Mux/switches </pre>	Enable I2C PCA954x and PCA984xmultiplexer support

10.4.2.3 Compile-time Configuration Options

Option	Values	Default Value	Description
CONFIG_HWMON	y/m/n	n	Enable Hardware Monitor

Option	Values	Default Value	Description
CONFIG_SENSORS_LM90	y/m/n	n	Enable ATD7461 and SA56004 driver
CONFIG_I2C_MUX	y/m/n	n	Enable I2C bus multiplexing support
CONFIG_I2C_MUX_PCA954x	y/m/n	n	Enable PCA954x driver

10.4.2.4 Device Tree Binding

```

adt7461@4c {
    compatible = "adi,adt7461";
    reg = <0x4c>;
};
pca9547@77 {
    compatible = "nxp,pca9547";
    reg = <0x77>;
};
    
```

10.4.2.5 Source Files

The driver source is maintained in the Linux kernel source tree.

Source File	Description
drivers/hwmon/hwmon.c	Linux hwmon subsystem support
drivers/hwmon/lm90.c	ADT7461 chip driver
drivers/i2c/i2c-mux.c	I2C bus multiplexing support
drivers/i2c/muxes/pca954x.c	PCA954x chip driver

10.4.2.6 Verification in Linux

There are two ways to get temperature results.

```

1. You can manually read the thermal interfaces in sysfs:
~$ ls /sys/class/hwmon/hwmon1/devices
alarms          templ_crit      temp1_min_alarm temp2_max_alarm
driver          templ_crit_alarm temp2_crit        temp2_min
hwmon           templ_crit_hyst temp2_crit_alarm  temp2_min_alarm
modalias        templ_input     temp2_crit_hyst  temp2_offset
name            templ_max       temp2_fault       uevent
power           templ_max_alarm temp2_input       update_interval
subsystem       templ_min       temp2_max
~$ cat /sys/class/hwmon/hwmon1/devices/templ_input
29000
2. You can use lm_sensors tools as follows.
~ # sensors
adt7461-i2c-1-4c
Adapter: MPC adapter
temp1:          +34.0 C (low = +0.0 C, high = +85.0 C)
                (crit = +85.0 C, hyst = +75.0 C)
temp2:          +48.5 C (low = +0.0 C, high = +85.0 C)
                (crit = +85.0 C, hyst = +75.0 C)
    
```

"lm_sensors is integrated into rootfs file system by default. If there is no "sensors" command in your rootfs just add lmsensors-sensors package and build your own rootfs."

11 Acronyms

[Table 172](#) lists the acronyms used in this document.

Table 172. Acronyms

Term	Definition
ACL	Access Control List
AH	Authentication Header (RFC 4302) – a network protocol designed to provide authentication services in IPv4 and IPv6.
AMP	Asynchronous multiprocessing, running multiple operating system images on different processors of the same machine without virtualization.
API	Application Programming Interface
ARP	Address Resolution Protocol
CAAM	Cryptographic Acceleration and Assurance Module
BE	Big Endian
CCSR	Configuration and Control Status Register
CoT	Chain of Trust
CPU	Central Processing Unit, also known more generally as "Processor"
DCD	Device Configuration Data
DCE	Data Compression/Decompression Engine
DCU	Display Control Unit
DMA	Direct Memory Access
DPAA	Data Path Acceleration Architecture
DPDK	Data Plane Development Kit
DSK	Device Secret Key
DTB	Device Tree Blob—the binary representation of device trees
DTS	Device Tree Syntax—the textual representation of device trees
DUT	Device Under Test
EDAC	Error Detection and Correction
eSDHC	Enhanced Secured Digital Host Controller
ESP	Encapsulating Security Payload (RFC 4303) – a network protocol designed to provide a mix of security services in IPv4 and IPv6.
EVB	Edge Virtual Bridge
FDB	Forwarding Data Base
FUID	Freescale Unique ID
GPIO	General Purpose Input/Output
GPP	General Purpose Processor
GPU	Graphics Processing Unit
GUEST_CONSOLE_TELNET_PORT	Telnet port for accessing guest console of VM.

Table 172. Acronyms...continued

Term	Definition
Guest/VM	The term 'Guest' is used for Linux running inside the virtual machine(s) that are in turn running over Host Linux operating system. VM and Guest have been used interchangeably in this guide.
HAL	Hardware Abstraction Library
HIF	Host Interface
HSM	Hardware security modules
IBR	Internal Boot ROM
IFC	Integrated Flash Chip
inbound (traffic)	Encrypted traffic which is coming from an unprotected interface. This traffic is terminated on the CPU.
IP_ADDR_BRD	This term is used for LS1088ARDB and LS2088ARDB IP address.
IP_ADDR_IMAGE_SERVER	This term is used for IP address of the machine on which all the software images are kept.
IPC	Inter-Process Communication, can be interpreted as being communication between distinct application execution flows or between distinct hardware processing units.
IPFwd	IPv4 Forward
IPSec	IP Security, it is a communication standard defined and refined by several public RFCs (such as RFC-2401 and RFC-4301) where hosts exchange encrypted IP data packets.
IPSec Tunnel	A communication convention between two network gateways to IPSec process certain network traffic in a particular way. An IPSec tunnel has two endpoints (which are the gateways), a clearly delimited set of encryption and authentication methods, keys, encapsulation headers and security policies, which define the traffic that is sent through the tunnel.
ISBC	Internal Secure Boot Code
ISR	Interrupt Status Register
ITF	Intent to Fail
ITS	Intent to Secure
KASLR	Kernel Address Space Layout Randomization
KVM	Kernel-based Virtual Machine - A Linux kernel module that allows a user space program access to the hardware virtualization features of NXP processors.
LDP	Linux Distribution POC
LE	Little Endian
LIODN	Logical I/O Device Number
LPUART	Low Power Universal Asynchronous Receiver Transmitter
LSTA	LS Series Trust Architecture
LXC	LLinux Containers
MC	Management Complex
NAT	Network Address Translation
OEM	Original Equipment Manufacturer

Table 172. Acronyms...continued

Term	Definition
OP-TEE	Open Portable Trust Execution Environment
OS	Operating System
OUID	OEM Unique ID
outbound (traffic)	Clear traffic which is coming from a software application which generates traffic that must be encrypted and forwarded via an unprotected interface.
PAMU	Peripheral Access Management Unit
PBL	Pre-Boot Loader
PCD	Parse, Classify, Distribute – a software architecture concept in NXP DPAA drivers which allows the user to configure the DPAA hardware (FMan) to do frame parsing, classification or distribution on a series of frame queues.
PCIe	Peripheral Component Interconnect Express
PDCP	Packet Data Convergence Protocol – It is one of the layers of the Radio Traffic Stack in UMTS/LTE and performs IP header compression and decompression, transfer of user data and maintenance of sequence numbers for Radio Bearers which are configured for lossless serving radio network subsystem (SRNS) relocation.
PFE	Packet Acceleration Engine
PKCS	Public-Key Cryptography Standards
PME	Pattern Matcher Engine
POC	Proof of Concept
QDS	Qonverge Development System
QEMU	Quick EMUlator - A hosted hypervisor that performs hardware virtualization.
QSPI	Quad Serial Peripheral Interface
RC	Route Cache
RCW	Reset Configuration Word
RDB	Reference Design Board
RFC	Request for Comments – a public document which describes a software standard.
SA	Security Association – a data record, defined by RFC 4301, which stores the information related to the IPSec processing needed for a specific network traffic type (such as encryption/decryption keys and algorithms, traffic endpoints description, authentication algorithms, and so on).
SAD	Security Association Database – the database holding all the valid SAs in a system.
SAI	Serial Audio Interface
SATA	Serial Advanced Technology Attachment
SDK	Software Development Kit
SEC	Security Engine Coprocessor – a DPAA hardware block performing cryptographic acceleration and offloading hardware.
SFP	Secure Fuse Processor
SIP DIP	Source Internet Protocol and Destination Internal Protocol

Table 172. Acronyms...continued

Term	Definition
SMMU	System Memory Management Unit
SMP	Symmetric Multi-Processing, running an operating system image on multiple CPUs simultaneously.
SNVS	Secure Non-Volatile Storage
SoC	System on a Chip, a chip integrating one or more processors and on-chip peripherals.
SP	Security Policy – a set of rules that network traffic must comply with in order to be eligible for IPSec processing.
SPD	Security Policy Database – the database storing all the SPs in a system.
SRE	Stateful Rule Engine
SRK	Super Root Key
SRKH	Super Root Key Hash
STP	Spanning Tree Protocol
SUI	String Under Inspection
TA	Trust Architecture
TF-A	Trusted Firmware-A
TFTP_BASE_DIR	Base directory of TFTP server where all the images are kept.
TLB	Translation Lookaside Buffer
TSN	Time-Sensitive Networking
TTL	Time To Live
UDP	User Datagram Protocol
UID	Unique Device ID
UIO	User space I/O
USB	Universal Serial Bus
VEB	Virtual Ethernet Bridge
VEPA	Virtual Ethernet Port Aggregator
VFIO	Virtual Function Input/Output
VID	Voltage Identifier

12 Note about the source code in the document

Example code shown in this document has the following copyright and BSD-3-Clause license:

Copyright 2024 NXP Redistribution and use in source and binary forms, with or without modification, are permitted provided that the following conditions are met:

1. Redistributions of source code must retain the above copyright notice, this list of conditions and the following disclaimer.
2. Redistributions in binary form must reproduce the above copyright notice, this list of conditions and the following disclaimer in the documentation and/or other materials provided with the distribution.

3. Neither the name of the copyright holder nor the names of its contributors may be used to endorse or promote products derived from this software without specific prior written permission.

THIS SOFTWARE IS PROVIDED BY THE COPYRIGHT HOLDERS AND CONTRIBUTORS "AS IS" AND ANY EXPRESS OR IMPLIED WARRANTIES, INCLUDING, BUT NOT LIMITED TO, THE IMPLIED WARRANTIES OF MERCHANTABILITY AND FITNESS FOR A PARTICULAR PURPOSE ARE DISCLAIMED. IN NO EVENT SHALL THE COPYRIGHT HOLDER OR CONTRIBUTORS BE LIABLE FOR ANY DIRECT, INDIRECT, INCIDENTAL, SPECIAL, EXEMPLARY, OR CONSEQUENTIAL DAMAGES (INCLUDING, BUT NOT LIMITED TO, PROCUREMENT OF SUBSTITUTE GOODS OR SERVICES; LOSS OF USE, DATA, OR PROFITS; OR BUSINESS INTERRUPTION) HOWEVER CAUSED AND ON ANY THEORY OF LIABILITY, WHETHER IN CONTRACT, STRICT LIABILITY, OR TORT (INCLUDING NEGLIGENCE OR OTHERWISE) ARISING IN ANY WAY OUT OF THE USE OF THIS SOFTWARE, EVEN IF ADVISED OF THE POSSIBILITY OF SUCH DAMAGE.

13 Revision history

[Table 173](#) summarizes the revisions to this document.

Table 173. Revision history

Revision number	Release date	Description
UG10081 v 6.1.55_2.2.0	24 January 2024	<ul style="list-style-type: none"> • The following sections are updated in the release 6.1.55_2.2.0: <ul style="list-style-type: none"> – Section 2 – Section 3.4 – Section 3.5.2 – Section 3.6 – Section 5.3.1.1.3 – Section 5.4.6 <ul style="list-style-type: none"> – Section 5.4.6.1 – Section 5.4.6.2 • The following sections are added in the release 6.1.55_2.2.0: <ul style="list-style-type: none"> – Section 8.2.8 – Section 8.2.9 • Content improvement in the following sections: <ul style="list-style-type: none"> – Section 1 – Section 2 – Section 3 – Section 8
L6.1.36_2.1.0	09 November 2023	<ul style="list-style-type: none"> • The following sections have been updated in release L6.1.36_2.1.0: <ul style="list-style-type: none"> – Section 2 – Section 3.4 – Section 3.5.2 – Section 3.6 – Section 5.3.1.1.3 – Section 5.4.6 <ul style="list-style-type: none"> – Section 5.4.6.1 – Section 5.4.6.2 • Content improvement to the following sections: <ul style="list-style-type: none"> – Section 7.2.5.1 – Section 7.2.5.2

Table 173. Revision history...continued

Revision number	Release date	Description
L6.1.22_2.0.0	27 July 2023	<p>The following sections have been updated in release L6.1.22_2.0.0:</p> <ul style="list-style-type: none"> • Section 2 • Section 3.4 • Section 3.5.2 • Section 3.6 • Section 5.3.1.1.3 • Section 5.4.6.1 • Section 5.4.6.2
L6.1.1-1.0.0	10 May 2023	<ul style="list-style-type: none"> • The following sections have been updated in release L6.1.1-1.0.0: <ul style="list-style-type: none"> – Section 2 – Section 3.4 – Section 3.5.2 – Section 3.6 – Section 5.4.6.2 • Content improvement to the following sections: <ul style="list-style-type: none"> – Added acronyms and abbreviations. For more information, see Table 172. – Updated host system requirements and deployment of Layerscape LDP images. For more information, see Section 3.1 and Section 3.2. – Removed <code>root</code> as user and provided <code>user</code> based access information for Ubuntu. For more information, see Section 5.4.3.3.1.1.

14 Legal information

14.1 Definitions

Draft — A draft status on a document indicates that the content is still under internal review and subject to formal approval, which may result in modifications or additions. NXP Semiconductors does not give any representations or warranties as to the accuracy or completeness of information included in a draft version of a document and shall have no liability for the consequences of use of such information.

14.2 Disclaimers

Limited warranty and liability — Information in this document is believed to be accurate and reliable. However, NXP Semiconductors does not give any representations or warranties, expressed or implied, as to the accuracy or completeness of such information and shall have no liability for the consequences of use of such information. NXP Semiconductors takes no responsibility for the content in this document if provided by an information source outside of NXP Semiconductors.

In no event shall NXP Semiconductors be liable for any indirect, incidental, punitive, special or consequential damages (including - without limitation - lost profits, lost savings, business interruption, costs related to the removal or replacement of any products or rework charges) whether or not such damages are based on tort (including negligence), warranty, breach of contract or any other legal theory.

Notwithstanding any damages that customer might incur for any reason whatsoever, NXP Semiconductors' aggregate and cumulative liability towards customer for the products described herein shall be limited in accordance with the Terms and conditions of commercial sale of NXP Semiconductors.

Right to make changes — NXP Semiconductors reserves the right to make changes to information published in this document, including without limitation specifications and product descriptions, at any time and without notice. This document supersedes and replaces all information supplied prior to the publication hereof.

Suitability for use — NXP Semiconductors products are not designed, authorized or warranted to be suitable for use in life support, life-critical or safety-critical systems or equipment, nor in applications where failure or malfunction of an NXP Semiconductors product can reasonably be expected to result in personal injury, death or severe property or environmental damage. NXP Semiconductors and its suppliers accept no liability for inclusion and/or use of NXP Semiconductors products in such equipment or applications and therefore such inclusion and/or use is at the customer's own risk.

Applications — Applications that are described herein for any of these products are for illustrative purposes only. NXP Semiconductors makes no representation or warranty that such applications will be suitable for the specified use without further testing or modification.

Customers are responsible for the design and operation of their applications and products using NXP Semiconductors products, and NXP Semiconductors accepts no liability for any assistance with applications or customer product design. It is customer's sole responsibility to determine whether the NXP Semiconductors product is suitable and fit for the customer's applications and products planned, as well as for the planned application and use of customer's third party customer(s). Customers should provide appropriate design and operating safeguards to minimize the risks associated with their applications and products.

NXP Semiconductors does not accept any liability related to any default, damage, costs or problem which is based on any weakness or default in the customer's applications or products, or the application or use by customer's third party customer(s). Customer is responsible for doing all necessary testing for the customer's applications and products using NXP Semiconductors products in order to avoid a default of the applications and the products or of the application or use by customer's third party customer(s). NXP does not accept any liability in this respect.

Terms and conditions of commercial sale — NXP Semiconductors products are sold subject to the general terms and conditions of commercial sale, as published at <http://www.nxp.com/profile/terms>, unless otherwise agreed in a valid written individual agreement. In case an individual agreement is concluded only the terms and conditions of the respective agreement shall apply. NXP Semiconductors hereby expressly objects to applying the customer's general terms and conditions with regard to the purchase of NXP Semiconductors products by customer.

Export control — This document as well as the item(s) described herein may be subject to export control regulations. Export might require a prior authorization from competent authorities.

Suitability for use in non-automotive qualified products — Unless this data sheet expressly states that this specific NXP Semiconductors product is automotive qualified, the product is not suitable for automotive use. It is neither qualified nor tested in accordance with automotive testing or application requirements. NXP Semiconductors accepts no liability for inclusion and/or use of non-automotive qualified products in automotive equipment or applications.

In the event that customer uses the product for design-in and use in automotive applications to automotive specifications and standards, customer (a) shall use the product without NXP Semiconductors' warranty of the product for such automotive applications, use and specifications, and (b) whenever customer uses the product for automotive applications beyond NXP Semiconductors' specifications such use shall be solely at customer's own risk, and (c) customer fully indemnifies NXP Semiconductors for any liability, damages or failed product claims resulting from customer design and use of the product for automotive applications beyond NXP Semiconductors' standard warranty and NXP Semiconductors' product specifications.

Translations — A non-English (translated) version of a document, including the legal information in that document, is for reference only. The English version shall prevail in case of any discrepancy between the translated and English versions.

Security — Customer understands that all NXP products may be subject to unidentified vulnerabilities or may support established security standards or specifications with known limitations. Customer is responsible for the design and operation of its applications and products throughout their lifecycles to reduce the effect of these vulnerabilities on customer's applications and products. Customer's responsibility also extends to other open and/or proprietary technologies supported by NXP products for use in customer's applications. NXP accepts no liability for any vulnerability. Customer should regularly check security updates from NXP and follow up appropriately. Customer shall select products with security features that best meet rules, regulations, and standards of the intended application and make the ultimate design decisions regarding its products and is solely responsible for compliance with all legal, regulatory, and security related requirements concerning its products, regardless of any information or support that may be provided by NXP.

NXP has a Product Security Incident Response Team (PSIRT) (reachable at PSIRT@nxp.com) that manages the investigation, reporting, and solution release to security vulnerabilities of NXP products.

NXP B.V. - NXP B.V. is not an operating company and it does not distribute or sell products.

14.3 Trademarks

Notice: All referenced brands, product names, service names, and trademarks are the property of their respective owners.

NXP — wordmark and logo are trademarks of NXP B.V.

AMBA, Arm, Arm7, Arm7TDMI, Arm9, Arm11, Artisan, big.LITTLE, Cordio, CoreLink, CoreSight, Cortex, DesignStart, DynamIQ, Jazelle, Keil, Mali, Mbed, Mbed Enabled, NEON, POP, RealView, SecurCore, Socrates, Thumb, TrustZone, ULINK, ULINK2, ULINK-ME, ULINK-PLUS, ULINKpro, μ Vision, Versatile — are trademarks and/or registered trademarks of Arm Limited (or its subsidiaries or affiliates) in the US and/or elsewhere. The related technology may be protected by any or all of patents, copyrights, designs and trade secrets. All rights reserved.

Freescale — is a trademark of NXP B.V.

Layerscape — is a trademark of NXP B.V.

QorIQ — is a trademark of NXP B.V.

Synopsys & Designware — are registered trademarks of Synopsys, Inc.

Contents

1	Layerscape LDP overview	2	3.6	Downloading a TinyDistro image to a Layerscape board using flex-installer	19
1.1	Accessing Layerscape LDP	2	3.7	Quick start guides for Layerscape boards	20
1.2	Supported Linux distributions	2	3.7.1	Quick start guide for FRWY-LS1012A	20
1.3	Building host package	3	3.7.1.1	Introduction	20
1.4	Layerscape LDP Git tags	3	3.7.1.2	FRWY-LS1012A reference information	21
2	Release notes	3	3.7.1.3	Program Layerscape LDP composite firmware image	22
2.1	What is new in this release	3	3.7.1.4	Downloading a TinyDistro image to a Layerscape board using flex-installer	23
2.2	Components	3	3.7.2	Quick start guide for LS1012ARDB	24
2.3	Feature support matrix	6	3.7.2.1	Introduction	24
2.4	Open issues	8	3.7.2.2	LS1012ARDB reference information	25
3	Getting started with Layerscape LDP	9	3.7.2.3	Program Layerscape LDP composite firmware image	27
3.1	Host system requirements	9	3.7.3	Quick start guide for TWR-LS1021A	29
3.1.1	How to set HTTP proxy in Ubuntu	9	3.7.3.1	Introduction	29
3.2	Download and deploy Layerscape LDP images in Linux environment using flex-installer	9	3.7.3.2	TWR-LS1021A reference information	29
3.2.1	To deploy locally the custom Layerscape LDP images to the target storage drive connected to a Linux host machine or a reference board	10	3.7.3.3	Program Layerscape LDP composite firmware image	31
3.2.2	To deploy the custom Layerscape LDP images on a reference board running TinyLinux	11	3.7.4	Quick start guide for LS1028ARDB	34
3.2.3	To only install the composite firmware to the target storage drive on a Linux host machine or a reference board	12	3.7.4.1	Introduction	34
3.2.4	To partition and format target storage device with specified number and size of partitions instead of using the default partitions	12	3.7.4.2	LS1028ARDB reference information	34
3.3	Download and deploy Layerscape LDP composite firmware in Windows environment	12	3.7.4.3	Program Layerscape LDP composite firmware image	38
3.4	Deploying Layerscape LDP images to a board using flex-installer	13	3.7.5	Quick start guide for LS1043ARDB	41
3.5	Build Layerscape LDP with Yocto bitbake	14	3.7.5.1	Introduction	42
3.5.1	Host packages	14	3.7.5.2	LS1043ARDB reference information	42
3.5.2	Download Yocto bitbake	14	3.7.5.3	LS1043ARDB recovery information	44
3.5.3	Build Layerscape LDP image using bitbake	14	3.7.5.4	Program Layerscape LDP composite firmware image	45
3.5.4	bitbake commands	15	3.7.5.5	Frame Manager Configuration (FMC) tool	47
3.5.5	Generate Layerscape LDP composite firmware	16	3.7.6	Quick start guide for FRWY-LS1046A	48
3.5.6	Generate tarball	16	3.7.6.1	Introduction	48
3.5.7	Build TF-A with RCW and U-Boot/UEFI	17	3.7.6.2	FRWY-LS1046A reference information	48
3.5.8	Build Linux kernel with bitbake	17	3.7.6.3	Program Layerscape LDP composite firmware image	51
3.5.9	Build application components in Yocto bitbake	17	3.7.6.4	Frame Manager Configuration (FMC) tool	53
3.5.10	Deploy new images after modifying the source code of NXP components locally	17	3.7.7	Quick start guide for LS1046ARDB	54
3.5.11	Build various userlands with custom packages	18	3.7.7.1	Introduction	54
3.5.12	Add a custom machine in Yocto bitbake based on Layerscape LDP release	18	3.7.7.2	LS1046ARDB reference information	54
3.5.13	Upgrade the existing Layerscape LDP distro with Yocto bitbake on host	19	3.7.7.3	LS1046ARDB recovery information	57
			3.7.7.4	Program Layerscape LDP composite firmware image	58
			3.7.7.5	Frame Manager Configuration (FMC) tool	60
			3.7.8	Quick start guide for LS1088ARDB	60
			3.7.8.1	Introduction	60
			3.7.8.2	LS1088ARDB and LS1088ARDB-PB reference information	61
			3.7.8.3	LS1088ARDB and LS1088ARDB-PB recovery information	65
			3.7.8.4	Program Layerscape LDP composite firmware image	66
			3.7.8.5	Bringing up DPAA2 network interfaces	68
			3.7.9	Quick start guide for LS2088ARDB	71
			3.7.9.1	Introduction	71

3.7.9.2	LS2088ARDB reference information	71	5.1.2.1	Introduction	194
3.7.9.3	LS2088ARDB recovery information	76	5.1.2.2	Fuse Programming Scenarios	194
3.7.9.4	Program Layerscape LDP composite firmware image	76	5.1.2.3	Fuse Provisioning Utility	195
3.7.9.5	Bringing up DPAA2 network interfaces	79	5.1.2.4	Deploy and run fuse provisioning	198
3.7.10	Quick start guide for LX2160ARDB Rev2	81	5.1.2.5	Error Codes	200
3.7.10.1	Introduction	81	5.2	Bootloader security features	201
3.7.10.2	LX2160ARDB reference information	82	5.2.1	U-Boot	201
3.7.10.3	LX2160ARDB recovery information	87	5.2.1.1	Verified boot [only for LX2162AQDS]	201
3.7.10.4	Program Layerscape LDP composite firmware image	87	5.2.1.2	U-Boot	206
3.7.10.5	Bringing up DPAA2 network interfaces	90	5.3	Trusted OS	211
3.7.11	Quick start guide for LX2162AQDS	93	5.3.1	Trusted Execution (OP-TEE)	211
3.7.11.1	Introduction	93	5.3.1.1	Introduction	211
3.7.11.2	LX2162AQDS reference information	94	5.4	PKCS#11 and Secure Object Library	212
3.7.11.3	LX2162AQDS recovery information	100	5.4.1	Introduction	212
3.7.11.4	Program Layerscape LDP composite firmware image	101	5.4.2	Supported APIs	214
3.8	Layerscape LDP memory layout and userland	104	5.4.2.1	PKCS#11 Library – libpkcs11.so	214
3.8.1	Flash layout	104	5.4.2.2	Secure Object Library – libsecure_obj.so	215
3.8.2	Storage layout on SD/USB/SATA for Layerscape LDP images deployment	106	5.4.3	Integrating applications with Secure Object	218
3.8.3	Layerscape LDP userland	106	5.4.3.1	Using PKCS#11 APIs	218
3.8.4	TinyDistro	107	5.4.3.2	Using Secure Object APIs	218
3.8.5	Various distro userland details	107	5.4.3.3	Applications using OpenSSL APIs	218
4	Bootloaders	108	5.4.4	Board Bootup and Running applications	223
4.1	General boot flow	108	5.4.4.1	Board Bootup	223
4.1.1	NXP SoC Booting Principles	108	5.4.4.2	Running applications	223
4.1.2	Notes on General Boot Principles	109	5.4.5	Validation	236
4.2	TF-A	109	5.4.6	Appendix	236
4.2.1	TF-A features	111	5.4.6.1	Appendix A: Steps to build the PKCS#11 Library	236
4.2.1.1	TF-A DDR Driver	111	5.4.6.2	Appendix B: Steps to build the Secure Object Library	237
4.2.2	TF-A key components	118	6	Linux kernel	239
4.2.2.1	Warm reset boot support	118	6.1	Introduction	239
4.2.3	Deploying TF-A binaries	122	6.2	Kernel Releases and relationship with Layerscape LDP	240
4.2.3.1	How to compile PBL binary from RCW source file	123	6.3	Getting the Layerscape LDP kernel source code	240
4.2.3.2	How to compile TF-A binaries	123	6.4	Configuring and building	241
4.2.3.3	How to program TF-A binaries on specific boot mode	125	6.4.1	Environment setting for cross-compiling	241
4.3	U-Boot	126	6.4.2	Configuring kernel	241
4.3.1	Changes in U-Boot	126	6.4.3	Building kernel	242
4.3.2	Layerscape LDP U-Boot uses distro boot feature	127	6.4.4	Install new kernel and modules	242
4.3.3	Layerscape LDP U-Boot flash image feature	131	6.5	Device Drivers	243
4.3.4	How to compile U-Boot binary	131	6.5.1	Enhanced Direct Memory Access (eDMA)	243
4.3.5	Defining IOMMU mappings for PCIe SRIOV virtual functions	132	6.5.1.1	Description	243
5	Security	133	6.5.1.2	Kernel Configure Options	243
5.1	Firmware/TF-A security features	133	6.5.1.3	Device Tree Binding	244
5.1.1	Secure boot	133	6.5.1.4	Source Files	244
5.1.1.1	Introduction	133	6.5.1.5	Verification in Linux	245
5.1.1.2	Secure boot process	135	6.5.2	CAAM Direct Memory Access (DMA)	246
5.1.1.3	Chain of Trust	137	6.5.2.1	Kernel configure options	246
5.1.1.4	Code Signing Tool	165	6.5.2.2	Identifier	246
5.1.1.5	Procedure to run secure boot	180	6.5.2.3	Device tree node	246
5.1.2	Fuse Provisioning User Guide	194	6.5.2.4	Source files	246
			6.5.2.5	Verification in Linux	247
			6.5.2.6	Component testing	248
			6.5.3	DCU Display Device Driver User Manual	249
			6.5.3.1	Description	249
			6.5.3.2	Module Loading	249
			6.5.3.3	U-Boot Configuration	249

6.5.3.4	Kernel Configure Options	249	6.5.11	Queue Direct Memory Access Controller (qDMA)	285
6.5.3.5	Device Tree Binding	250	6.5.11.1	QDMA for platform with DPAA1	285
6.5.3.6	Source Files	252	6.5.11.2	QDMA for platform with DPAA2	287
6.5.3.7	Testing LCD/DHMI at U-Boot Level	252	6.5.12	Real Time Clock (RTC)	288
6.5.3.8	Testing LCD at Kernel Level	252	6.5.12.1	Linux SDK for QorIQ Processors	288
6.5.3.9	Testing HDMI at Kernel Level	252	6.5.12.2	Description	288
6.5.3.10	Known Bugs, Limitations, or Technical Issues	253	6.5.12.3	Kernel Configure Tree View Options	288
6.5.4	Enhanced Secured Digital Host Controller (eSDHC)	253	6.5.12.4	Compile-time Configuration Options	288
6.5.4.1	Description	253	6.5.12.5	Source Files	289
6.5.4.2	Kernel Configure Options	253	6.5.12.6	Device Tree Binding	289
6.5.4.3	Compile-time Configuration Options	253	6.5.12.7	Default node:	289
6.5.4.4	Source Files	254	6.5.12.8	Verification in Linux	289
6.5.4.5	Device Tree Binding	254	6.5.13	Synchronous Audio Interface (SAI)	290
6.5.4.6	Verification in U-Boot	254	6.5.13.1	Description	290
6.5.4.7	Verification in Linux	255	6.5.13.2	RCW configuration	290
6.5.4.8	Verification of eMMC RPMB	256	6.5.13.3	Kernel Configure Options Tree View	290
6.5.4.9	Known Bugs, Limitations, or Technical Issues	257	6.5.13.4	Source files	292
6.5.5	IEEE 1588/802.1AS	257	6.5.13.5	Verification in Linux	292
6.5.5.1	Description	257	6.5.14	Serial Advanced Technology Attachment (SATA)	292
6.5.5.2	Kernel configure options	257	6.5.14.1	Description	292
6.5.5.3	Source files	260	6.5.14.2	Module Loading	293
6.5.5.4	Device tree binding	261	6.5.14.3	Compile-time Configuration Options	293
6.5.5.5	Verification	261	6.5.14.4	Source Files	293
6.5.6	Integrated Flash Controller (IFC)	261	6.5.14.5	Test Procedure	293
6.5.6.1	Integrated Flash Controller NOR Flash User Manual	261	6.5.14.6	Known Bugs, Limitations, or Technical Issues	294
6.5.6.2	Integrated Flash Controller NAND Flash User Manual	266	6.5.15	Security Engine (SEC)	295
6.5.7	Low Power Universal Asynchronous Receiver/Transmitter (LPUART)	271	6.5.15.1	Introduction and Terminology	295
6.5.7.1	Description	271	6.5.15.2	Source Files	296
6.5.7.2	U-Boot Configuration Compile-time options	271	6.5.15.3	Module loading	297
6.5.7.3	Kernel Configure Options	271	6.5.15.4	Kernel Configuration	297
6.5.7.4	Device Tree Binding	272	6.5.15.5	Device Tree binding	297
6.5.7.5	Source Files	272	6.5.15.6	Sample Device Tree crypto node	298
6.5.7.6	Verification in U-Boot	272	6.5.15.7	How to test the drivers	298
6.5.7.7	Verification in Linux	273	6.5.15.8	Crypto algorithms support	300
6.5.8	PCI Express Interface Controller	274	6.5.15.9	CAAM Job Ring backend driver specifics	303
6.5.8.1	PCIe Linux Driver	274	6.5.15.10	Verifying driver operation and correctness	304
6.5.8.2	PCIe Advanced Error Reporting User Manual	277	6.5.15.11	Incrementing IRQs in /proc/interrupts	304
6.5.8.3	PCIe Remove and Rescan User Manual	279	6.5.15.12	Verifying the 'self test' fields say 'passed' in /proc/crypto	304
6.5.8.4	PCIe Endpoint Mode Linux driver	280	6.5.15.13	Examining the hardware statistics registers in debugfs	305
6.5.9	Quad Serial Peripheral Interface (QSPI)	283	6.5.15.14	Kernel configuration to support CAAM device drivers	306
6.5.9.1	U-Boot Configuration	283	6.5.15.15	Supporting Documentation	307
6.5.9.2	Kernel Configure Tree View Options	283	6.5.16	Time Division Multiplexing (TDM)	307
6.5.9.3	Compile-time Configuration Options	283	6.5.16.1	Description	307
6.5.9.4	Verification in U-Boot	283	6.5.16.2	U-Boot Configuration	308
6.5.9.5	Verification in Linux:	283	6.5.16.3	Kernel Configure Options	308
6.5.10	Flexible Serial Peripheral Interface (FlexSPI)	284	6.5.16.4	Device Tree Binding	309
6.5.10.1	U-Boot Configuration	284	6.5.16.5	Source Files	310
6.5.10.2	Kernel Configure Tree View Options	284	6.5.16.6	Verification in U-Boot	311
6.5.10.3	Compile-time Configuration Options	284	6.5.16.7	Verification in Linux	311
6.5.10.4	Verification in U-Boot	284	6.5.16.8	Benchmarking	312
6.5.10.5	Verification in Linux:	285	6.5.16.9	Known Bugs, Limitations, or Technical Issues	312
			6.5.17	Universal Serial Bus Interfaces	312

6.5.17.1	USB 3.0 Controller (DesignWare USB3)	313	7.2.4.4	Ingress FQs common configuration guidelines	494
6.5.17.2	USB 2.0 Controller	332	7.2.4.5	Dynamic load balancing with order preservation - ingress FQs configuration guidelines	495
6.5.18	Graphics processing unit (GPU)	336	7.2.4.6	Dynamic load balancing with order restoration - ingress FQs configuration guidelines	495
6.5.18.1	Test procedure	336	7.2.4.7	Static distribution - Ingress FQs Configuration Guidelines	496
6.5.18.2	Known issue	336	7.2.4.8	FMan network interface egress FQs configuration	497
6.5.19	LCD and display transmitter controller	336	7.2.4.9	Accelerator Frame Queue Configuration	497
6.5.20	FlexTimer (FTM)	343	7.2.4.10	DPAA1 Frame Queue Configuration Guideline Summary	498
6.5.21	Inter-Integrated Circuit (I2C)	347	7.2.5	Frame Manager	500
6.5.22	Watchdog	350	7.2.5.1	Frame Manager Linux Driver User Guide	500
6.5.22.1	U-Boot	350	7.2.5.2	Frame Manager Driver User Guide	515
6.5.22.2	Kernel configure options	351	7.2.6	Frame Manager Configuration Tool User's Guide	565
6.5.22.3	Compile-time configuration options	351	7.2.6.1	Introduction	565
6.5.22.4	Device tree	351	7.2.6.2	FMC Tool Features	566
6.5.22.5	Source files	352	7.2.6.3	FMC Tool Components and Packaging	566
6.5.22.6	Verification in Linux	352	7.2.6.4	FMC Tool - Runtime Environment Mode	566
6.5.23	GPIO	353	7.2.6.5	FMC Tool - Host Mode	567
6.5.24	QUICC Engine HDLC/TDM User Manual	361	7.2.6.6	FMC Tool Command-Line Arguments	569
6.5.24.1	Linux SDK for QorIQ Processors	361	7.2.6.7	The NetPDL and NetPCD XML Markup Languages	570
6.5.24.2	Description	361	7.2.6.8	Protocol files	570
6.5.24.3	U-Boot Configuration	361	7.2.6.9	Policy file	571
6.5.24.4	Kernel Configure Options	361	7.2.6.10	Configuration File	583
6.5.24.5	Device Tree Binding	362	7.2.6.11	NXP NetPDL Reference	584
6.5.24.6	Source Files	363	7.2.6.12	NetPCD Reference	606
6.5.24.7	User Space Application	363	7.2.6.13	Standard Protocol File - Excerpt	632
6.5.24.8	Verification in U-Boot	363	7.2.6.14	Custom Protocol File - GTP Protocol Example	639
6.5.24.9	Verification in Linux	363	7.2.7	Security Engine (SEC)	640
6.6	kdump/kexec User Manual	365	7.2.7.1	Introduction	640
7	QorIQ networking technologies	373	7.2.7.2	Device Tree binding	640
7.1	Summary of networking technologies	373	7.2.7.3	Module loading	641
7.2	DPAA1-specific software	373	7.2.7.4	Verifying driver operation and correctness	641
7.2.1	DPAA1 software architecture overview	373	7.2.7.5	Incrementing IRQs in /proc/interrupts	641
7.2.1.1	Introduction	374	7.2.7.6	Verifying the 'self test' fields say 'passed' in /proc/crypto	641
7.2.1.2	DPAA1 Goals	378	7.2.7.7	Supporting Documentation	642
7.2.1.3	FMan Overview	378	7.3	DPAA2-specific Software	642
7.2.1.4	QMan Overview	380	7.3.1	DPAA2 Software Overview	642
7.2.1.5	QMan Scheduling	384	7.3.1.1	Introduction	642
7.2.1.6	BMan	387	7.3.1.2	DPAA2 Hardware	643
7.2.1.7	Order Handling	388	7.3.1.3	DPAA2 Linux Software	645
7.2.1.8	Pool Channels	391	7.3.1.4	DPAA2 Networking Subsystem Deeper Dive	648
7.2.1.9	Application Mapping	394	7.3.2	DPAA2 Quick start guide	662
7.2.1.10	FQ/WQ/Channel	397	7.3.2.1	Data Path Resource Containers	662
7.2.2	Linux Ethernet	400	7.3.2.2	Key Release Files: RCW, DPC and DPL	663
7.2.2.1	Introduction	400	7.3.2.3	Linux Ethernet	668
7.2.2.2	The DPAA1-Ethernet view of the world	401	7.3.2.4	Setting up Ethernet Switch Capability	692
7.2.2.3	DPAA1 resources initialization	403	7.3.2.5	Setting Up Edge Virtual Bridge Capability	699
7.2.2.4	The (Simplified) Life of a packet	403	7.3.2.6	Security Engine (SEC)	707
7.2.2.5	Private Ethernet Driver	405			
7.2.2.6	Upstream Ethernet Driver	432			
7.2.2.7	Performance considerations	433			
7.2.3	Queue Manager (QMan) and Buffer Manager (BMan)	433			
7.2.3.1	QMan/BMan Drivers Introduction	434			
7.2.3.2	QMan BMan API Reference	440			
7.2.4	Configuring DPAA1 Frame Queues	492			
7.2.4.1	Introduction	492			
7.2.4.2	FMan Network interface Frame Queue Configuration	493			
7.2.4.3	FMan network interface ingress FQs configuration	493			

7.3.3	DPAA2 Standard Linux Documentation	716	7.8.1.2	Kernel configuration	827
7.3.3.1	Kernel Documentation Directory	716	7.8.1.3	Basic TSN configuration examples on ENETC	828
7.3.3.2	DPAA2 Resource Management Tool (restool) User Manual	716	7.8.1.4	Basic TSN configuration examples on the switch	837
7.3.4	DPAA2 User Manual	717	7.9	General networking performance considerations	853
7.3.5	Soft Parser Support	717	8	Linux user space	854
7.3.5.1	Soft Parser Configuration Tool	717	8.1	Libraries	854
7.3.5.2	SPC on DPAA 2.x Based Platforms	747	8.1.1	OpenSSL	854
7.4	Packet Forward Engine (PFE) Network Driver	750	8.1.1.1	OpenSSL offload	854
7.4.1	Introduction	750	8.1.2	Runtime Assembler Library Reference	857
7.4.1.1	Purpose	750	8.1.2.1	Runtime Assembler Library Reference	857
7.4.1.2	Features	750	8.2	Data Plane Development Kit (DPDK)	857
7.4.2	High-level decomposition and data flow	750	8.2.1	Introduction	857
7.4.3	NAPI support	752	8.2.1.1	Supported platforms and platform-specific details	858
7.4.4	Interrupt coalescing	752	8.2.1.2	References	867
7.4.5	Checksum offloading	752	8.2.2	DPDK overview	868
7.4.6	Scatter gather support	752	8.2.2.1	DPDK platform support	868
7.4.7	Ethtool support	753	8.2.2.2	DPAA supported DPDK features	870
7.5	Linux Ethernet Driver for eTSEC	753	8.2.2.3	DPAA2 supported DPDK features	871
7.5.1	Linux Ethernet Driver for eTSEC	753	8.2.2.4	PPFE supported DPDK features	873
7.5.1.1	Introduction	753	8.2.2.5	ENETC supported DPDK features	873
7.5.1.2	Functionality	758	8.2.3	Build DPDK	873
7.5.1.3	Configuration & Control	765	8.2.3.1	Build DPDK using Yocto bitbake	873
7.6	ENETC Ethernet and Felix switch drivers	766	8.2.3.2	Build DPDK on host (Native)	875
7.6.1	LS1028A interface naming	766	8.2.3.3	Standalone build of DPDK libraries and applications	876
7.6.1.1	LS1028A interface naming in U-Boot	766	8.2.3.4	Build DPDK-based Packet Generator (pktgen) using Yocto	878
7.6.1.2	LS1028A interface naming in Linux	767	8.2.3.5	Build OVS-DPDK using Yocto	878
7.6.2	ENETC Linux Ethernet driver	769	8.2.4	Virtual machine (VM or guest) images	879
7.6.2.1	Introduction	769	8.2.4.1	Executing DPDK applications on host	879
7.6.2.2	Linux kernel configuration items	769	8.2.4.2	Booting up target board	879
7.6.2.3	Linux runtime usage	771	8.2.4.3	Prerequisite for running DPDK applications	881
7.6.2.4	Performance considerations and benchmarking provisions	782	8.2.4.4	DPDK example applications	886
7.6.2.5	Known limitations	784	8.2.4.5	Multiple parallel DPDK applications	896
7.6.3	Felix Linux Ethernet driver	785	8.2.5	OVS-DPDK and DPDK in VM with VIRTIO interfaces	898
7.6.3.1	Introduction	785	8.2.5.1	Generic steps	898
7.6.3.2	Linux kernel configuration items	785	8.2.5.2	Configuring OVS	898
7.6.3.3	Linux runtime usage	787	8.2.5.3	Launch Virtual Machine	901
7.6.3.4	Known limitations	810	8.2.5.4	Accessing virtual machine console	903
7.7	IEEE 1588/802.1AS	811	8.2.5.5	Launching two virtual machines	903
7.7.1	Introduction	811	8.2.5.6	Running DPDK applications in VM	904
7.7.2	IEEE 1588 device types	811	8.2.5.7	Multi Queue VIRTIO support	905
7.7.3	IEEE 802.1AS time-aware systems	811	8.2.5.8	OVS DPDK Performance Guide	907
7.7.4	linuxptp stack	812	8.2.6	Enabling DPAA2 direct assignment for DPDK	908
7.7.5	Quick Start for IEEE 1588	812	8.2.6.1	Launch virtual machine	908
7.7.5.1	Ordinary clock verification	812	8.2.6.2	Accessing the virtual machine console	911
7.7.5.2	Boundary clock verification	813	8.2.6.3	Running DPDK applications with direct device assignments	911
7.7.6	Quick Start for IEEE 802.1AS	814	8.2.7	DPDK on Docker	912
7.7.6.1	Time-aware end station verification	815	8.2.7.1	Docker Overview	912
7.7.7	Quick start for external signals	815	8.2.7.2	DPAA1-Platform	912
7.7.7.1	PPS signal	815	8.2.7.3	DPAA2-Platform	913
7.7.7.2	External trigger signal	816	8.2.8	DPDK DPAA2 flow control	921
7.7.7.3	Programmable PTP pins	818			
7.7.7.4	PTP device tree node configuration	818			
7.7.8	Known issues and limitations	819			
7.8	Time Sensitive Networking (TSN)	819			
7.8.1	Using TSN features on LS1028ARDB	820			
7.8.1.1	Tsntool User Manual	820			

8.2.8.1	Preparing soft parser image	922	9.1.1	KVM/QEMU Overview	982
8.2.8.2	Testing flow control in testpmd	922	9.1.1.1	Using QEMU and KVM	982
8.2.9	PCI Endpoint Framework	925	9.1.1.2	Virtual Machine Overview	988
8.2.9.1	PCIe EndPoint implementation in DPDK	926	9.1.1.3	Introduction to KVM and QEMU	989
8.2.9.2	DU offload example	927	9.1.1.4	Device Tree Overview	990
8.2.9.3	Usages	928	9.1.1.5	References	990
8.2.9.4	Small packets across PCIe performance improvement on Endpoint	930	9.1.1.6	For More Information	991
8.2.9.5	Multiple process	931	9.1.1.7	Virtual machine reference	991
8.2.9.6	Primary process	932	9.1.2	Configuring and Building	993
8.2.9.7	Secondary process	933	9.1.2.1	Overview	993
8.2.9.8	PCIe EP/RC PMD simulator setup and traffic measurement on single board	934	9.1.2.2	Quick Start - Recommended Configuration Options	993
8.2.9.9	L1-TB (EP) / L2-SDB (RC) transfer across PCIe	935	9.1.2.3	Host Kernel: Enabling KVM	994
8.2.10	Known limitations and future work	936	9.1.2.4	Host Kernel: Enabling Virtual Networking	995
8.2.10.1	Generic limitations	936	9.1.2.5	Host kernel: Enabling DPAA2 direct assignment	995
8.2.10.2	DPAA1-specific limitations	936	9.1.2.6	Host kernel: Enabling PCIe direct assignment	995
8.2.10.3	DPAA2-specific limitations	936	9.1.2.7	Guest kernel: Enabling console	996
8.2.10.4	PPFE (LS1012)-specific limitations	936	9.1.2.8	Guest Kernel: Enabling Network and Block Virtual I/O	996
8.2.10.5	ENETC (LS1028)-specific limitations	936	9.1.2.9	Building kernel with KVM support using Yocto	996
8.2.11	Optimizing DPAA-based DPDK buffer management	936	9.1.2.10	Creating a host Linux root filesystem	997
8.2.12	Troubleshooting	938	9.1.2.11	Creating a guest Linux root filesystem	997
8.2.13	DPDK Performance Reproducibility Guide	939	9.1.3	KVM/QEMU How-to's	997
8.2.13.1	Before booting up Linux	940	9.1.3.1	Quick-start steps to build and deploy KVM	997
8.2.13.2	Before and while starting DPDK Application ..	942	9.1.3.2	Quick-start steps to run KVM using Hugetlbfs	997
8.2.14	Use cases	946	9.1.3.3	How to Use Virtual Network Interfaces Using Virtio	999
8.2.14.1	Traffic bifurcation using VSP on DPAA	946	9.1.3.4	How to use vhost-net with virtio	1000
8.2.14.2	Traffic bifurcation using DPSW on DPAA2	948	9.1.3.5	How to Use Virtual Disks Using Virtio	1001
8.2.14.3	Traffic bifurcation using DPDMUX on DPAA2	950	9.1.3.6	How to use virtual disks using virtio-blk- dataplane	1003
8.2.14.4	DPDK multi-process	957	9.1.3.7	How to use DPAA2 direct assignment without scripts	1003
8.2.14.5	Traffic Policing in DPAA	964	9.1.3.8	How to use DPAA2 direct assignment with scripts	1005
8.2.14.6	Precision Time Protocol (IEEE1588)	965	9.1.3.9	How to use PCIe direct assignment	1010
8.2.14.7	Traffic Management Support in DPAA2	969	9.1.3.10	Passthrough of USB Devices	1011
8.2.14.8	Flow Control Support in DPAA2	970	9.1.3.11	Debugging: How to Examine Initial Virtual Machine State with QEMU	1012
8.3	Vector Packet Processing (VPP)	970	9.1.3.12	Debugging: How to Profile Virtualization Overhead with KVM	1013
8.3.1	Introduction	970	9.1.3.13	Debugging virtual machines	1014
8.3.2	Supported platform	972	9.2	Linux Containers (LXC) for NXP QorIQ User's Guide	1016
8.3.3	Supported use cases	972	9.2.1	Introduction to Linux Containers	1016
8.3.4	Build VPP	972	9.2.1.1	Overview	1016
8.3.4.1	Standalone build steps	972	9.2.1.2	For Further Information	1017
8.3.4.2	Build VPP using Yocto	973	9.2.2	Additional information	1018
8.3.5	Executing VPP	974	9.2.2.1	Containers with Libvirt	1018
8.3.5.1	Setup VPP environment	974	9.2.2.2	Linux Control Groups (cgroups)	1019
8.3.5.2	Execute VPP	975	9.2.2.3	Linux Namespaces	1020
8.3.6	Known Limitations	976	9.2.2.4	POSIX Capabilities	1020
8.4	mTCP	976	9.2.3	Libvirt	1021
8.4.1	Introduction	977	9.2.3.1	Libvirt Domain Lifecycle	1021
8.4.2	Supported Platforms	977	9.2.3.2	Domain States	1022
8.4.3	Supported Applications	977			
8.4.4	Build Steps	977			
8.4.4.1	Standalone build steps	977			
8.4.4.2	Prerequisites before compiling mTCP	977			
8.4.5	Executing mTCP	978			
8.5	USDPA	981			
9	Virtualization	981			
9.1	KVM/QEMU	981			

9.2.3.3	Libvirt URIs	1022	10.4.2.3	Compile-time Configuration Options	1045
9.2.3.4	Virsh	1022	10.4.2.4	Device Tree Binding	1046
9.2.3.5	Libvirt XML	1022	10.4.2.5	Source Files	1046
9.2.3.6	Running libvirtd	1023	10.4.2.6	Verification in Linux	1046
9.2.3.7	Examples	1023	11	Acronyms	1047
9.2.3.8	Libvirt KVM/QEMU Examples	1023	12	Note about the source code in the	
9.2.3.9	Virtio Block scenario	1023		document	1050
9.2.3.10	Virtio Net scenario	1024	13	Revision history	1051
9.2.3.11	Virtio Block Dataplane	1025	14	Legal information	1053
9.2.3.12	Libvirt LXC Examples	1027			
9.2.3.13	Basic Example	1027			
9.2.3.14	Further Information	1027			
9.2.3.15	Annex 1: kvm_virtio_blk.xml	1028			
9.2.3.16	Annex 2: kvm_virtio_net.xml	1028			
9.2.3.17	Annex 3: kvm_virtio_blk_dataplane.xml	1029			
9.3	Docker Containers	1030			
9.3.1	Introduction to Docker Containers	1030			
9.3.1.1	Overview	1030			
9.3.2	Docker How To's	1031			
9.3.2.1	Running a web server container	1031			
10	Power management	1033			
10.1	Power management user manual	1033			
10.1.1	Linux SDK for QorIQ Processors	1033			
10.1.2	Kernel configure tree view options	1034			
10.1.3	Compile-time configuration options	1034			
10.1.4	Device tree binding	1035			
10.1.5	Source files	1036			
10.1.6	Verification in Linux	1036			
10.1.7	Supporting documentation	1037			
10.2	CPU Frequency Switching User Manual	1038			
10.2.1	Linux SDK for QorIQ Processors	1038			
10.2.2	Abbreviations and Acronyms	1038			
10.2.3	Description	1038			
10.2.4	Compile-time Configuration Options	1038			
10.2.5	User Space Application	1038			
10.2.6	Device Tree Binding	1038			
10.2.7	Source Files	1039			
10.2.8	Verification in Linux	1039			
10.3	Thermal management user manual	1039			
10.3.1	Description	1039			
10.3.2	Specifications	1040			
10.3.3	Kernel Configure Tree View Options (For PowerPC platform)	1040			
10.3.4	Kernel Configure Tree View Options (For Arm platform)	1040			
10.3.5	Compile-time Configuration Options	1041			
10.3.6	Device Tree Binding	1041			
10.3.7	Source Files	1041			
10.3.8	Verification in Linux	1042			
10.4	System Monitor	1042			
10.4.1	Power Monitor User Manual	1042			
10.4.1.1	Power Monitoring Configuration and Test Steps	1042			
10.4.2	Thermal Monitor User Manual	1045			
10.4.2.1	Description	1045			
10.4.2.2	Kernel Configure Tree View Options	1045			

Please be aware that important notices concerning this document and the product(s) described herein, have been included in section 'Legal information'.
