

## Table of Contents

Page	Description
1	This Page
2	Bus Configuration Diagram
3	DDR CONTROLLER
4	DDR SODIMM
5	Local Bus
6	PCI Device-on-Edge Connector
7	BCSR,COP,Clocking
8	TSEC1,2
9	Riser Connectors L & R
10	Riser Connectors L
11	QUICC Engine
12	USB,SPI,RS232,RTC
13	Power Decoupling
14	Power, Indication

## Revision History

Draft

01.04.05

### LEGEND:

- $xx \gg$  or  $\ll xx$  or  $\ll \gg xx$ 
On-page signal connection
- $xx \boxed{\gg}$  or  $xx \boxed{\ll}$ 
Off-page signal connections
- $\uparrow xx$ 
Signal has pull-up
- $\downarrow xx$ 
Signal has pull-down
- PU PD
FPGA pins termination

MWI: 081-8360EPSYS-5

PCB: 084-00XXX-1

Freescall Semiconductor Israel Ltd.

Metrowerks Israel



Title

**MPC8360SYS**

Size  
A

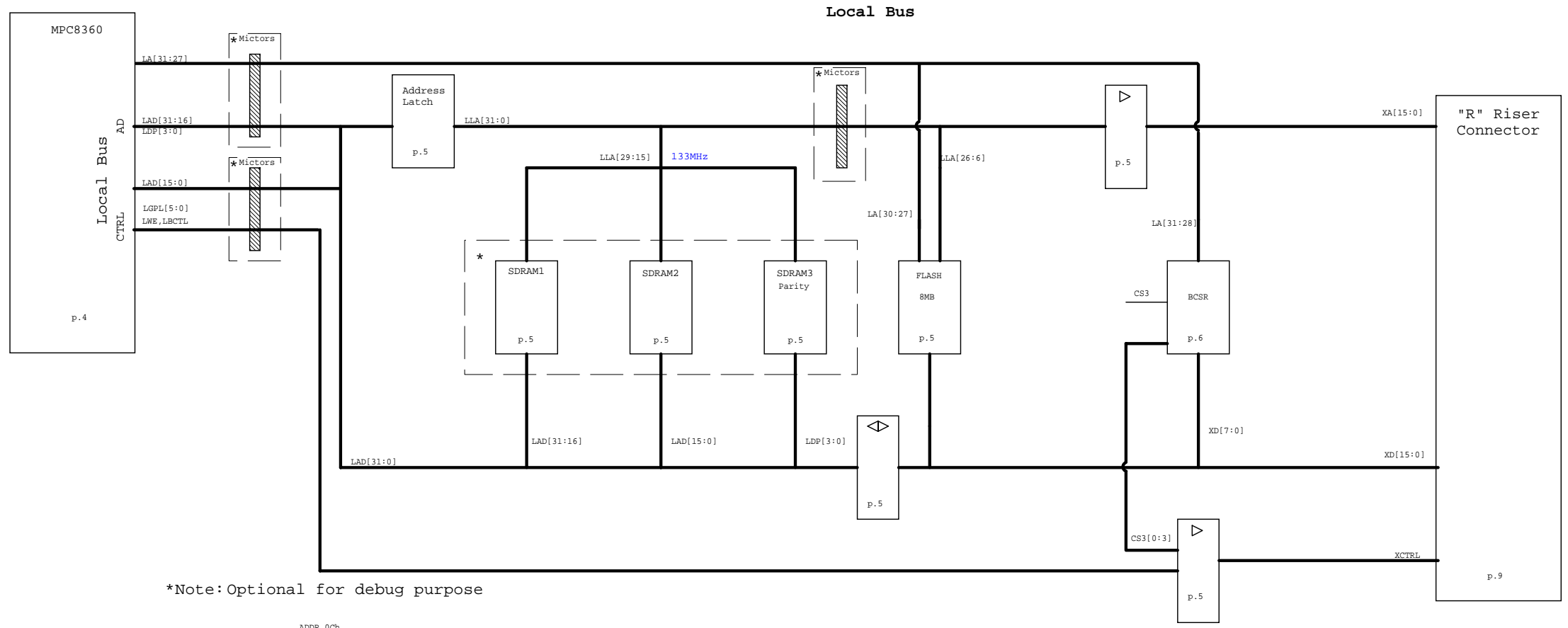
Document Number

**List of Pages**

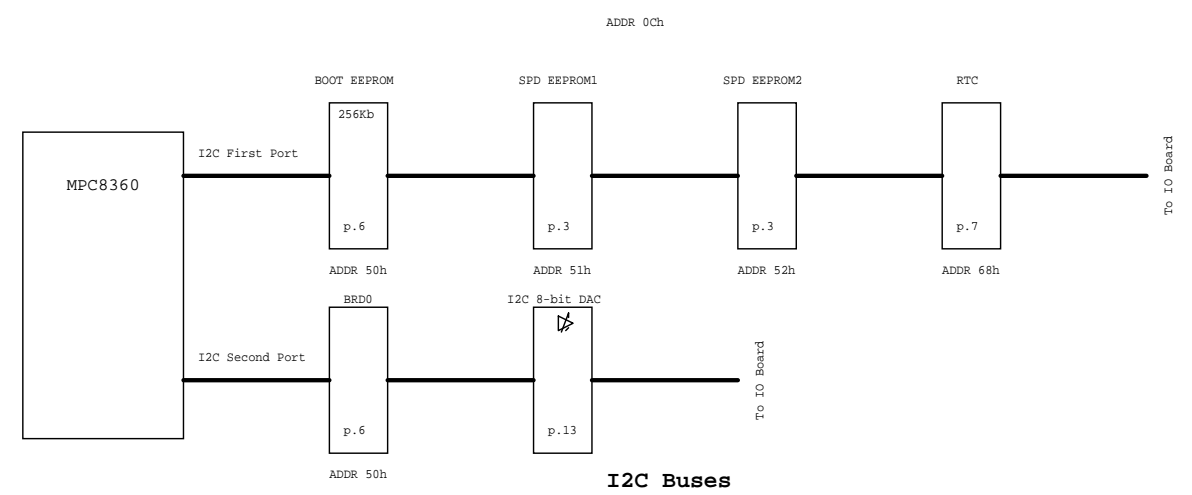
Rev  
PILOT

Date: Monday, February 27, 2006

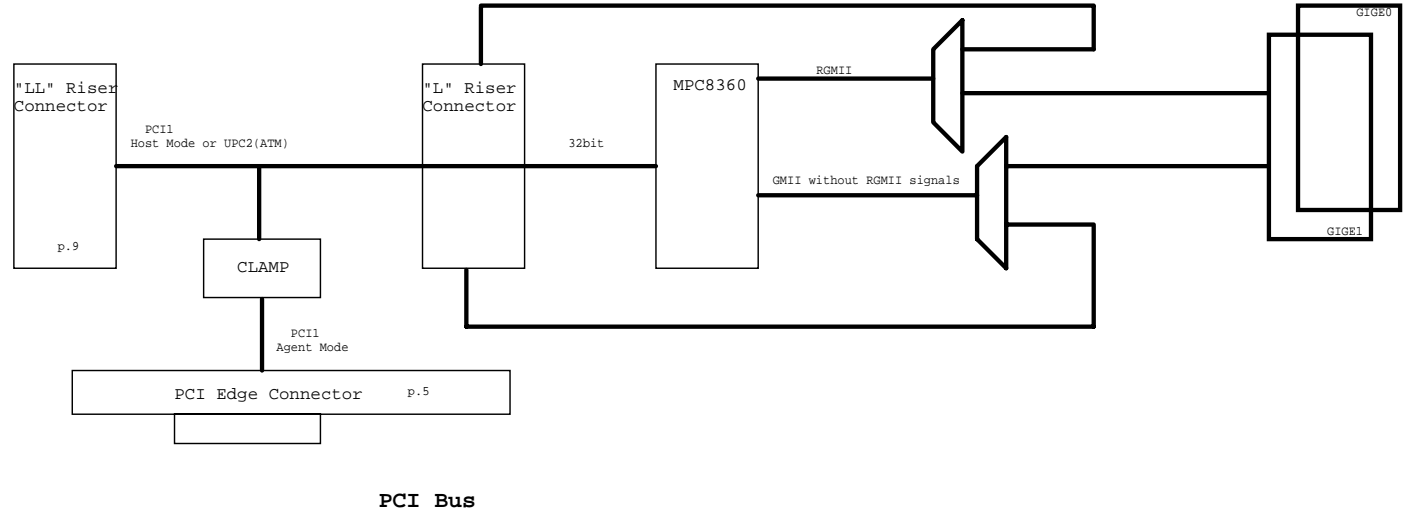
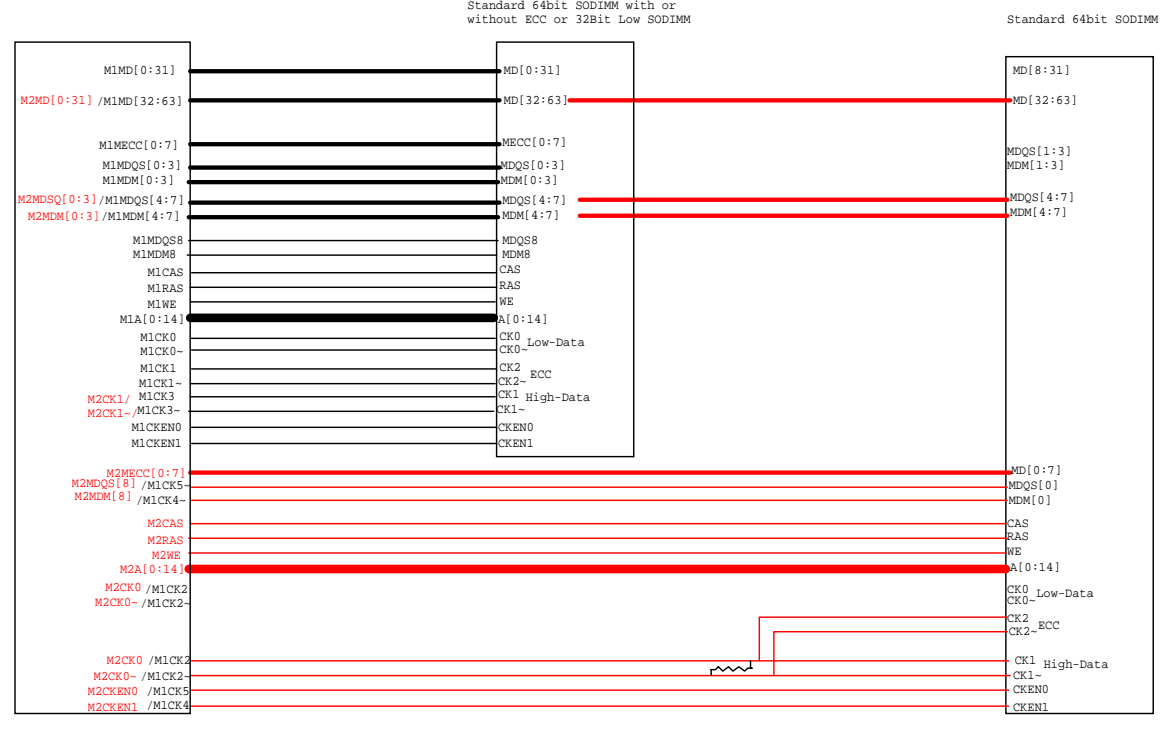
Sheet 1 of 14

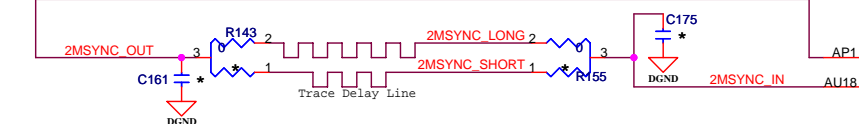
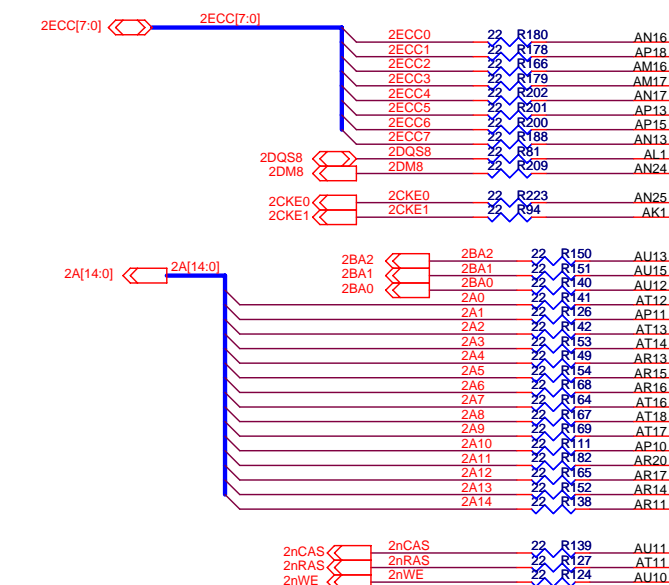
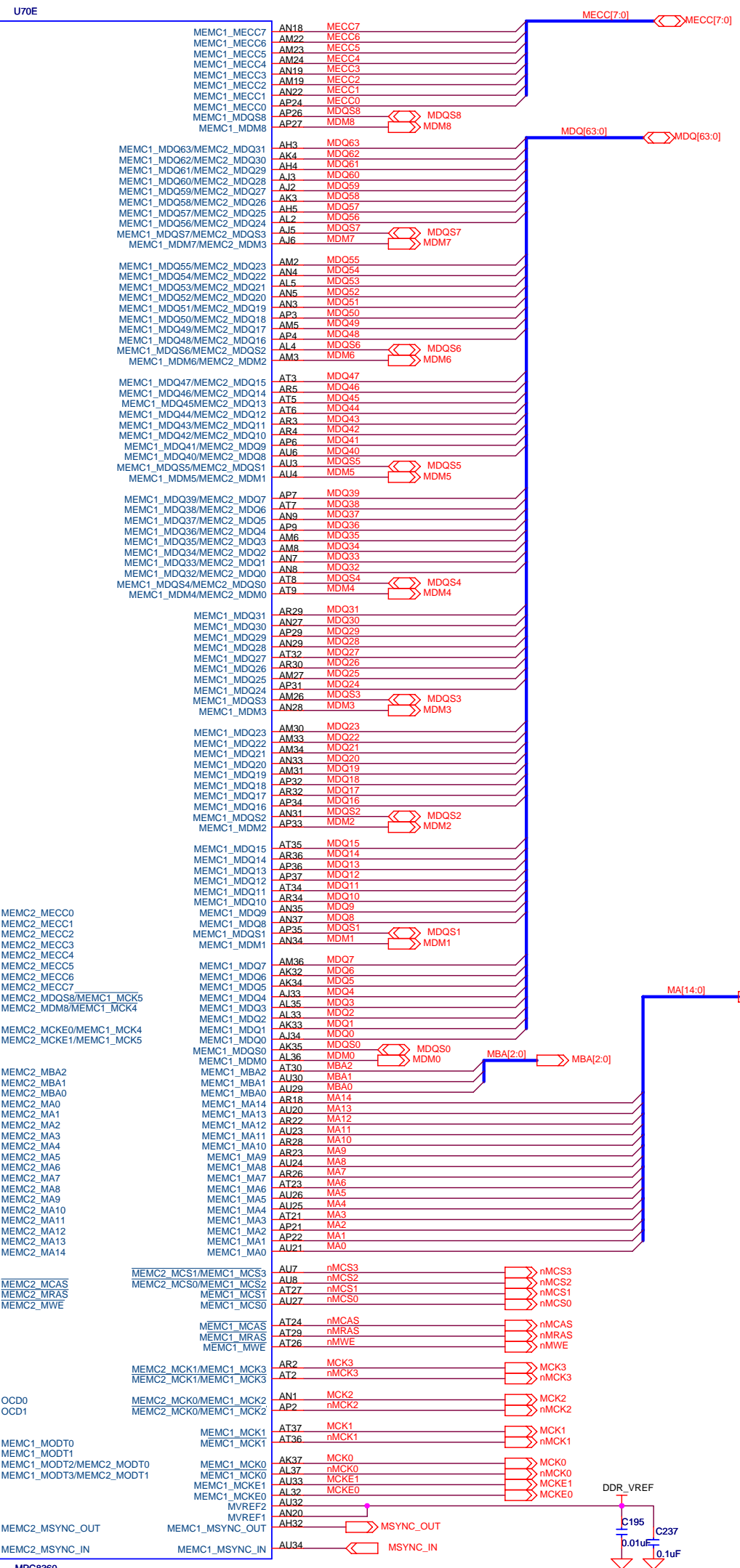


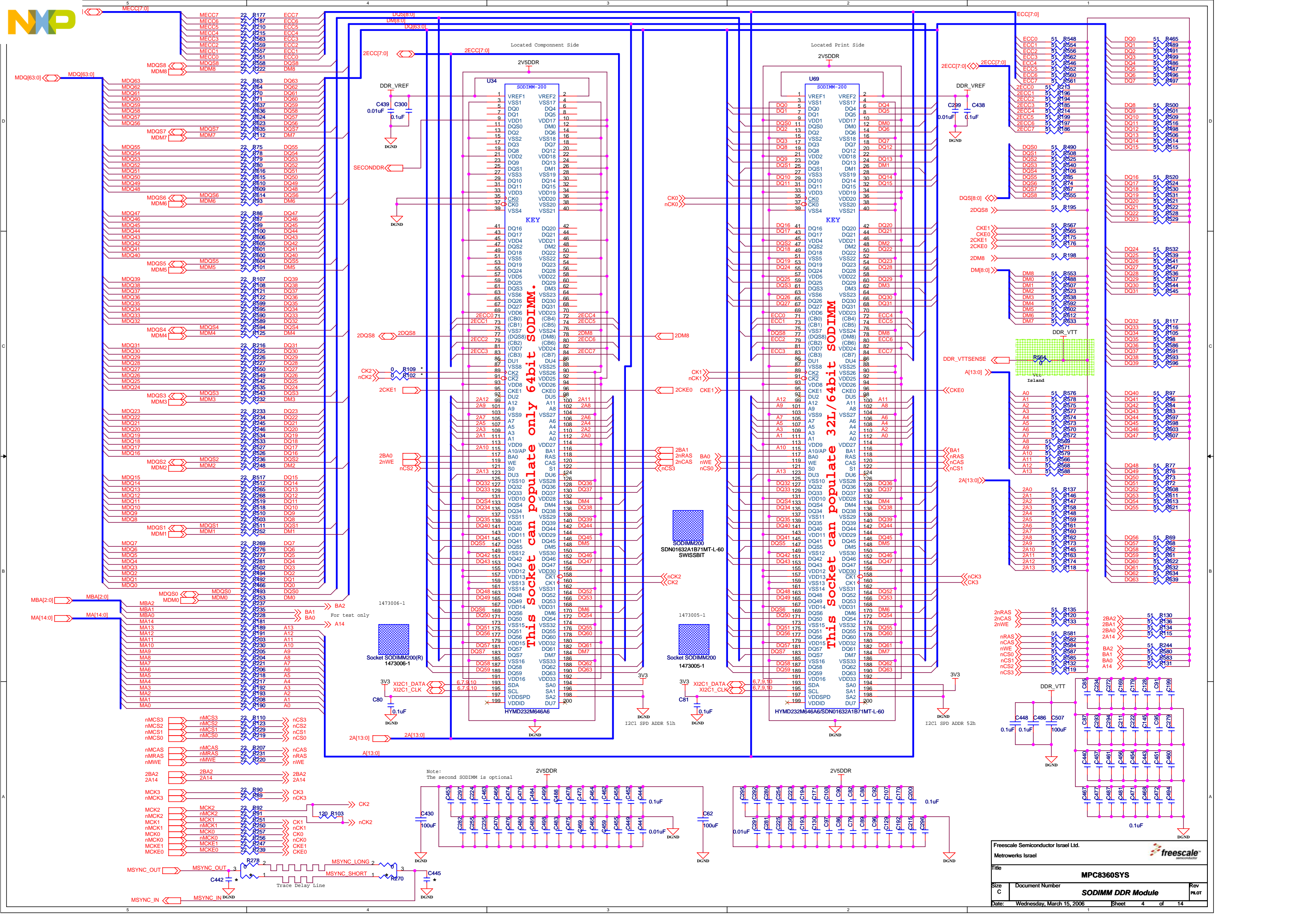
\*Note: Optional for debug purpose



### DDR Block Diagram

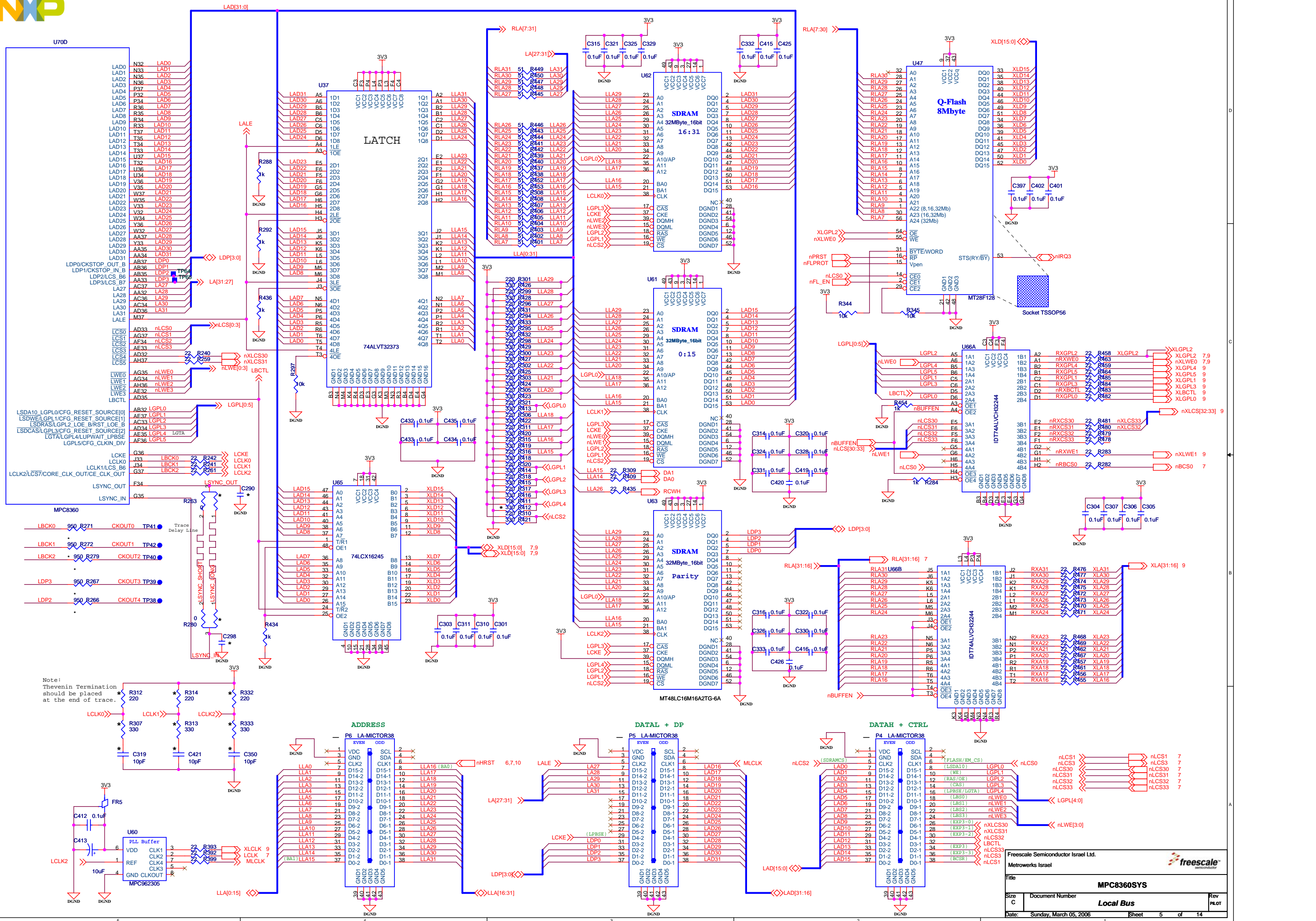






This socket can populate only 64bit SODIMM.

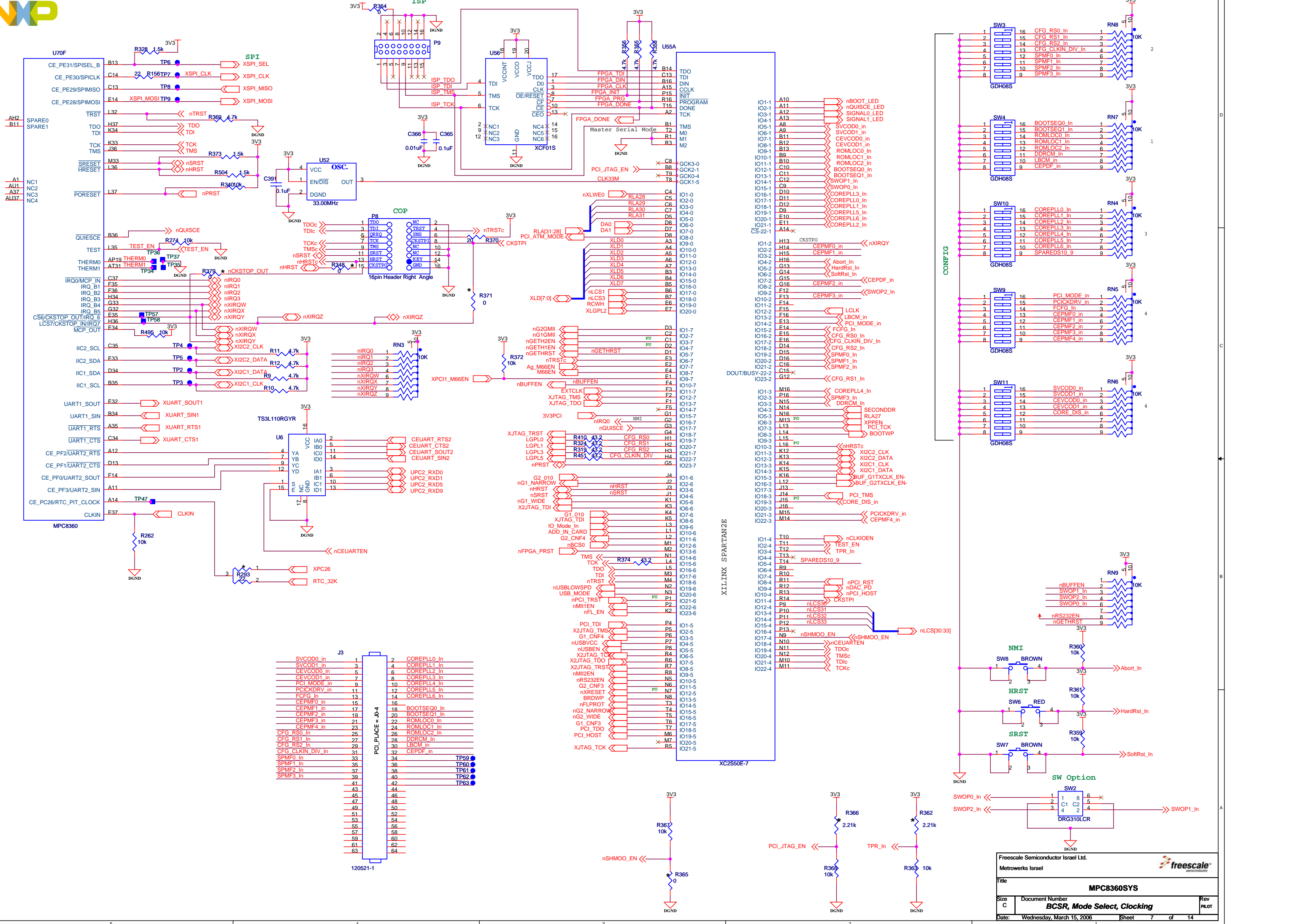
This socket can populate 32L/64bit SODIMM



Note:  
Thevenin Termination should be placed at the end of trace.

Freescale Semiconductor Israel Ltd.			
Metrowerks Israel			
<b>MPC8360SYS</b>			
File	Document Number	Local Bus	Rev PLOT
Date: Sunday, March 05, 2006		Sheet 5 of 14	

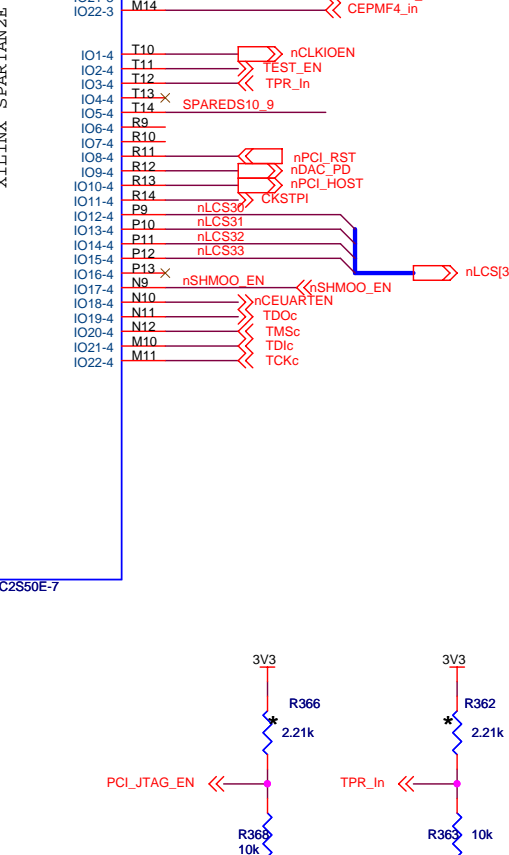
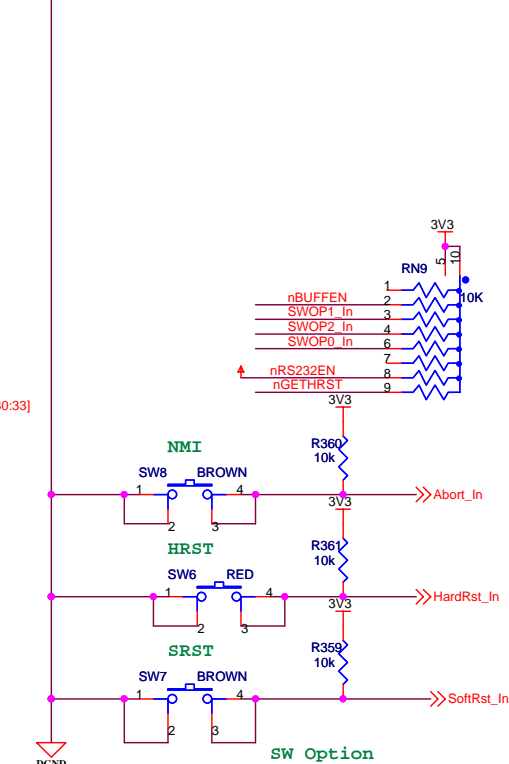
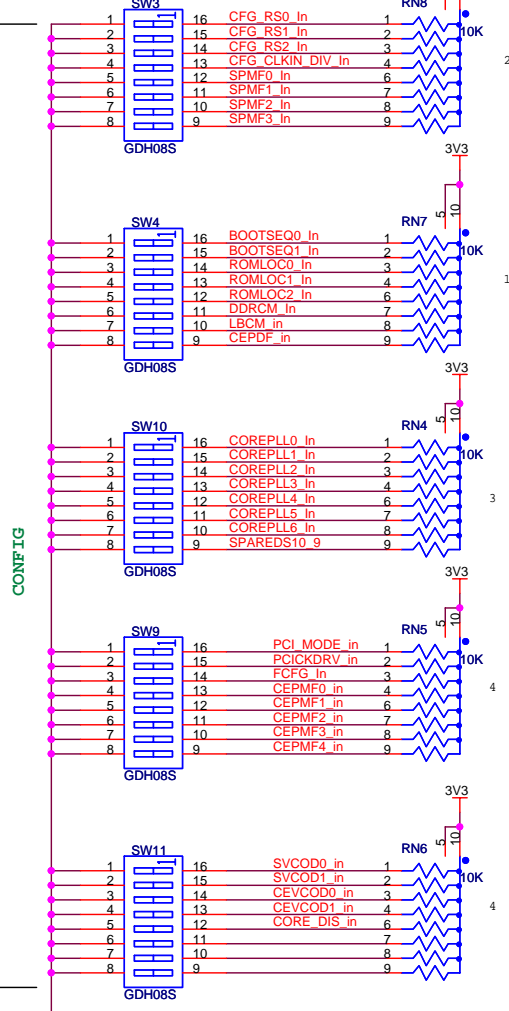


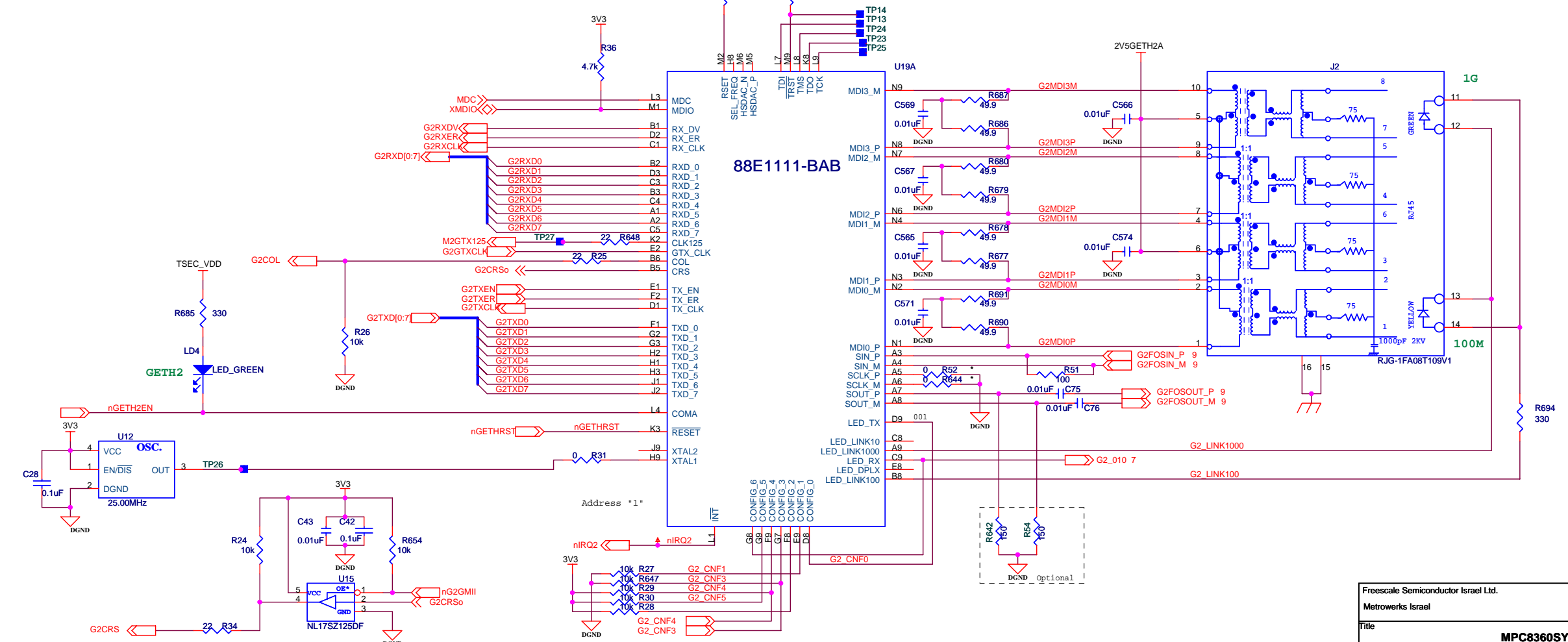
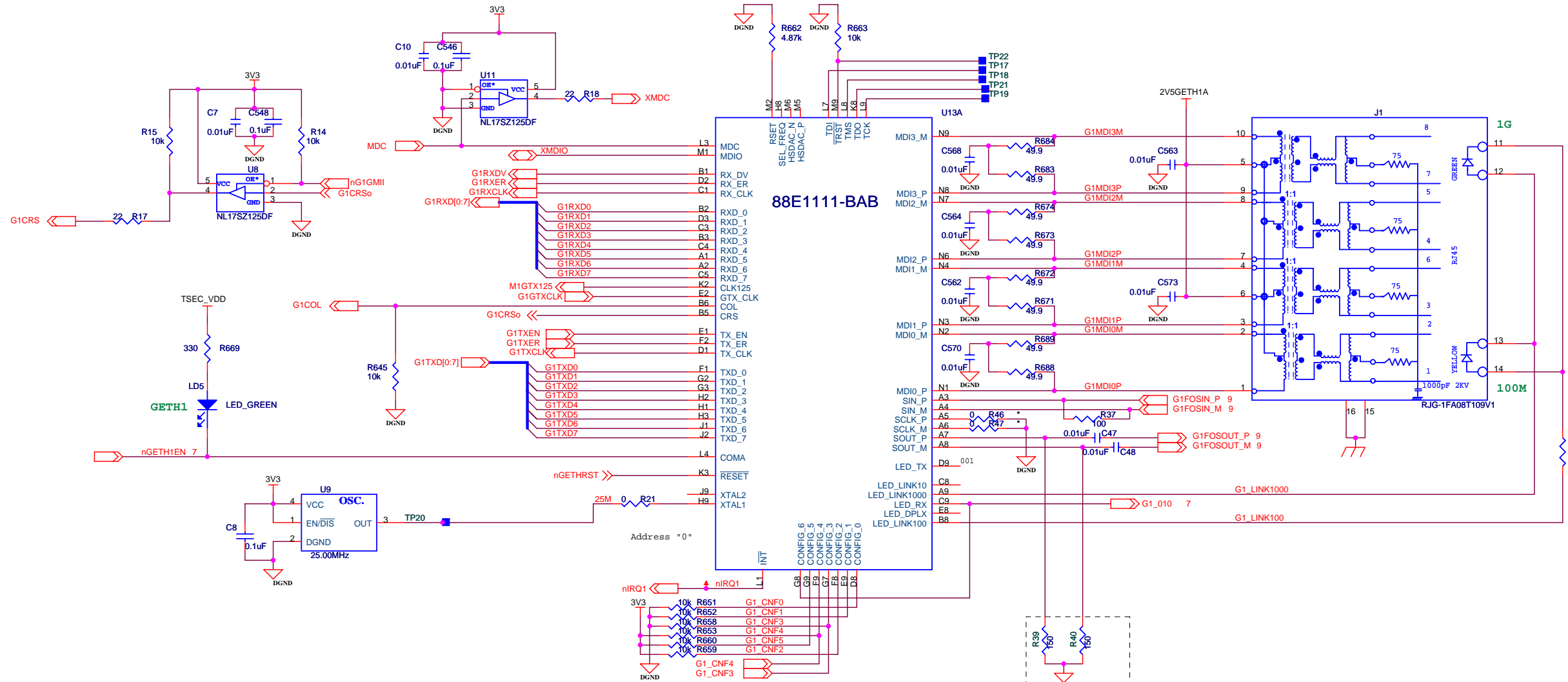


**J3**

1	SVCOD0_in	2	COREPLL0_in
2	SVCOD1_in	3	COREPLL1_in
3	CEVCOD0_in	4	COREPLL2_in
4	CEVCOD1_in	5	COREPLL3_in
5	PCI_MODE_in	6	COREPLL4_in
6	PCICKDRV_in	7	COREPLL5_in
7	FCFG_in	8	COREPLL6_in
8	CEPMF0_in	9	BOOTSEQ0_in
9	CEPMF1_in	10	BOOTSEQ1_in
10	CEPMF2_in	11	ROMLOC0_in
11	CEPMF3_in	12	ROMLOC1_in
12	CEPMF4_in	13	ROMLOC2_in
13	CFG_RS0_in	14	DDRCM_in
14	CFG_RS1_in	15	LBCM_in
15	CFG_RS2_in	16	CEPDF_in
16	CFG_CLKIN_DIV_in	17	
17	SPMF0_in	18	
18	SPMF1_in	19	
19	SPMF2_in	20	
20	SPMF3_in	21	
21		22	
22		23	
23		24	
24		25	
25		26	
26		27	
27		28	
28		29	
29		30	
30		31	
31		32	
32		33	
33		34	
34		35	
35		36	
36		37	
37		38	
38		39	
39		40	
40		41	
41		42	
42		43	
43		44	
44		45	
45		46	
46		47	
47		48	
48		49	
49		50	
50		51	
51		52	
52		53	
53		54	
54		55	
55		56	
56		57	
57		58	
58		59	
59		60	
60		61	
61		62	
62		63	
63		64	

TP59  
TP60  
TP61  
TP62  
TP63



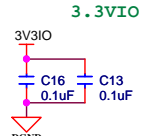
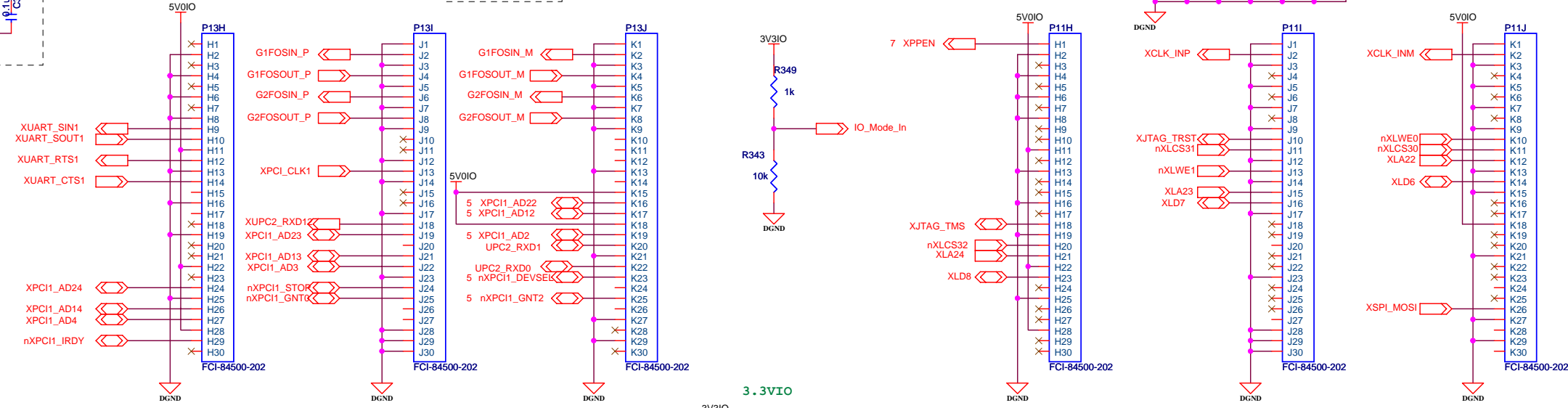
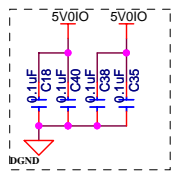
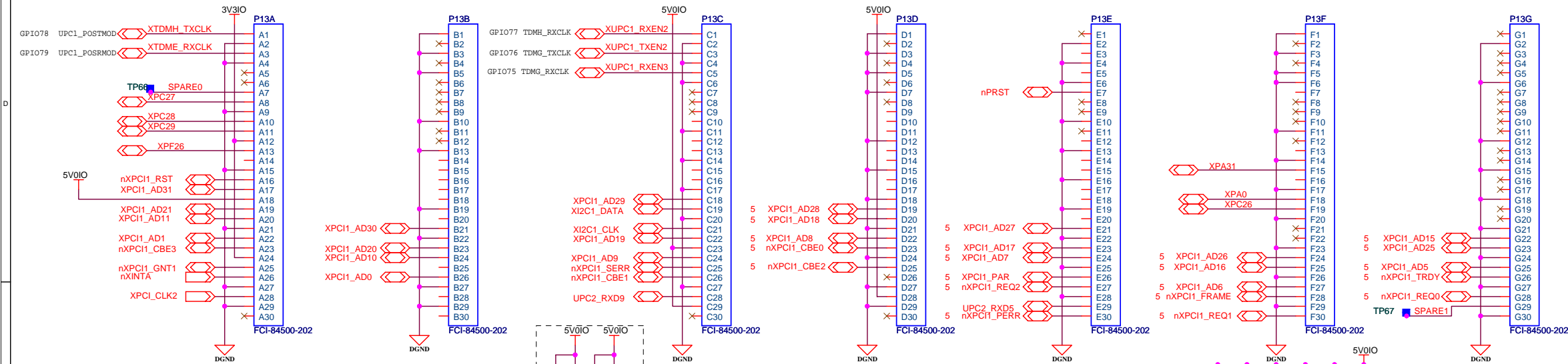




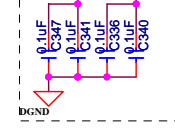
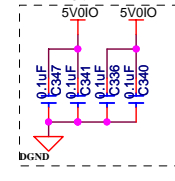
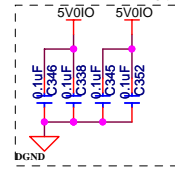
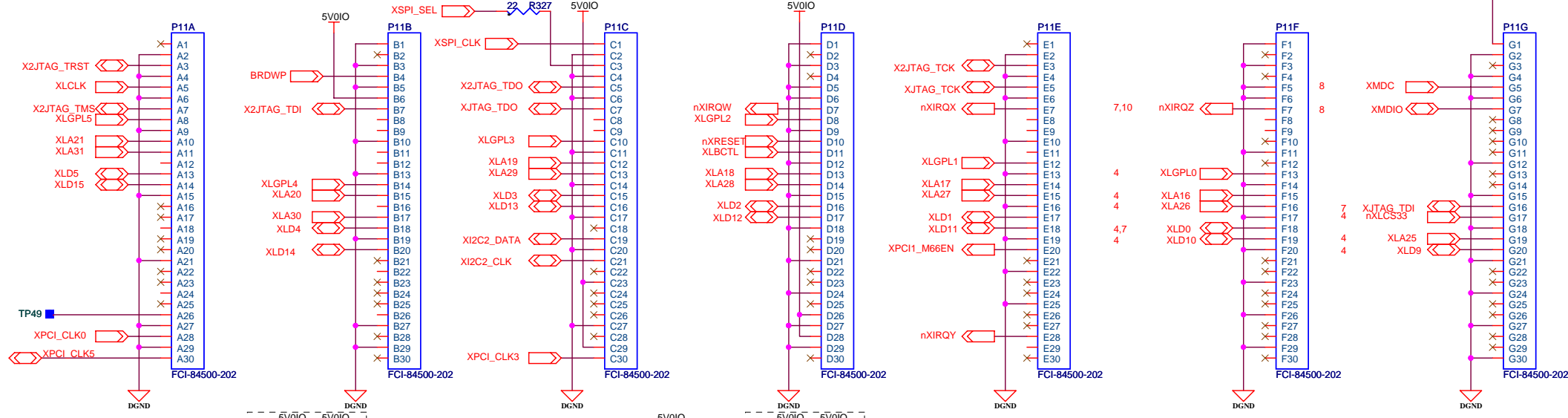


PCI1 Bus, UART,GPIO

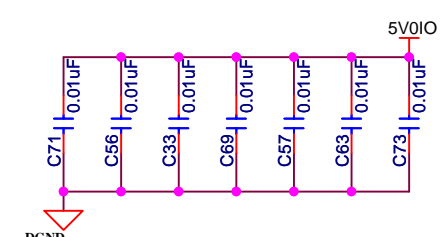
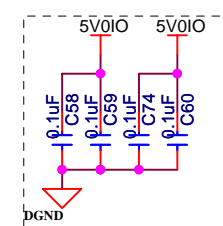
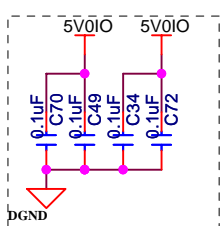
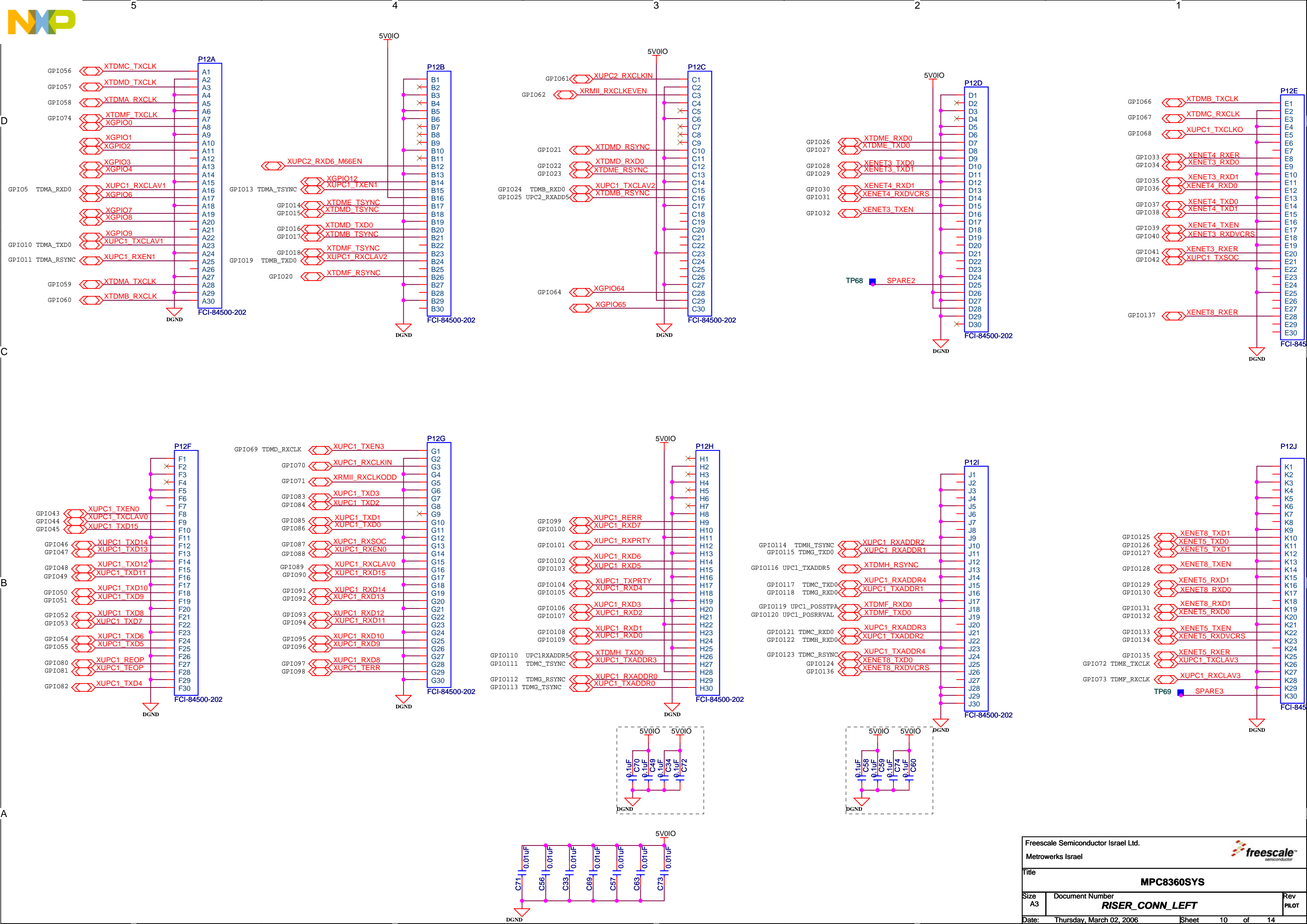
LEFT-LEFT Riser Connector

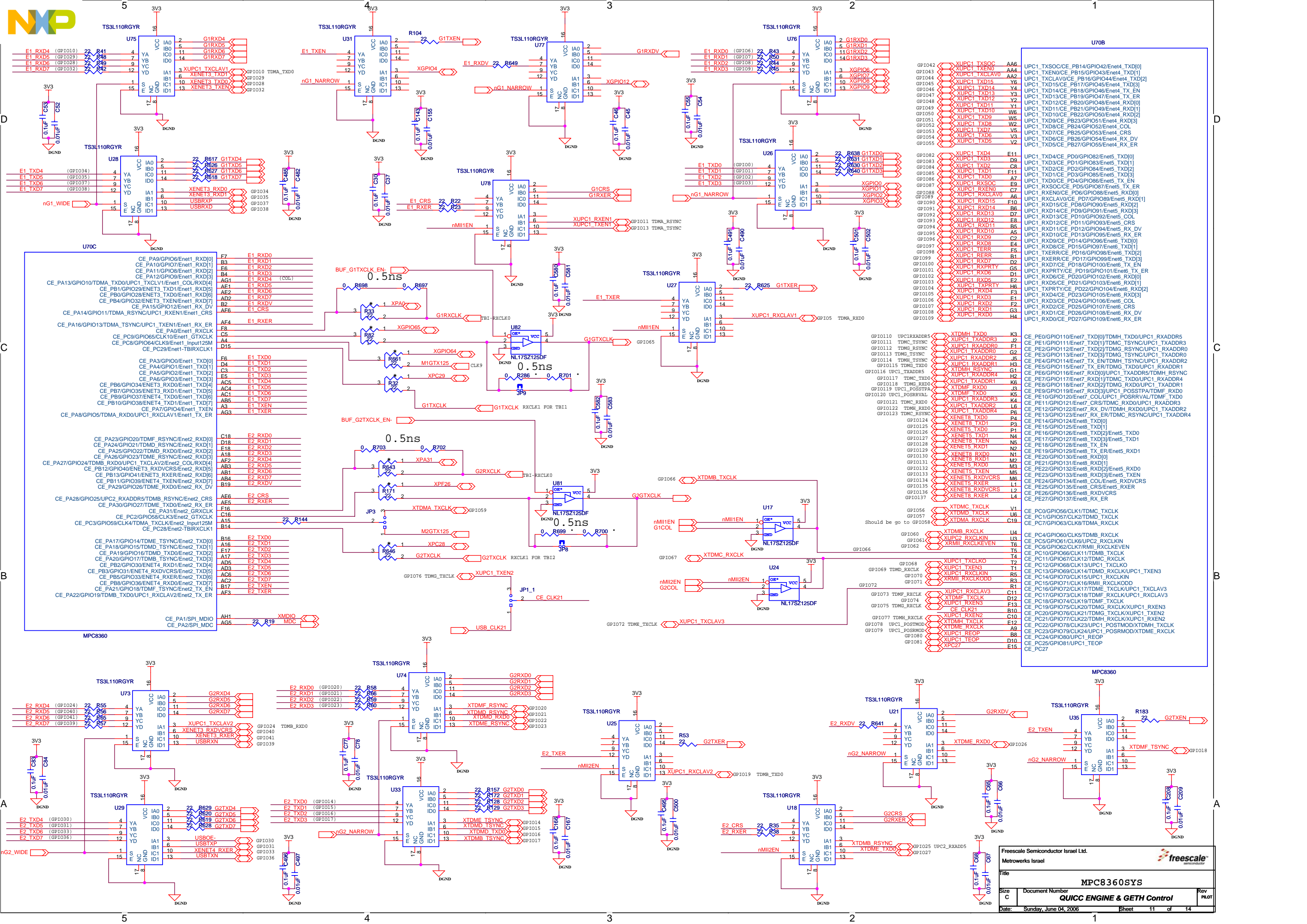


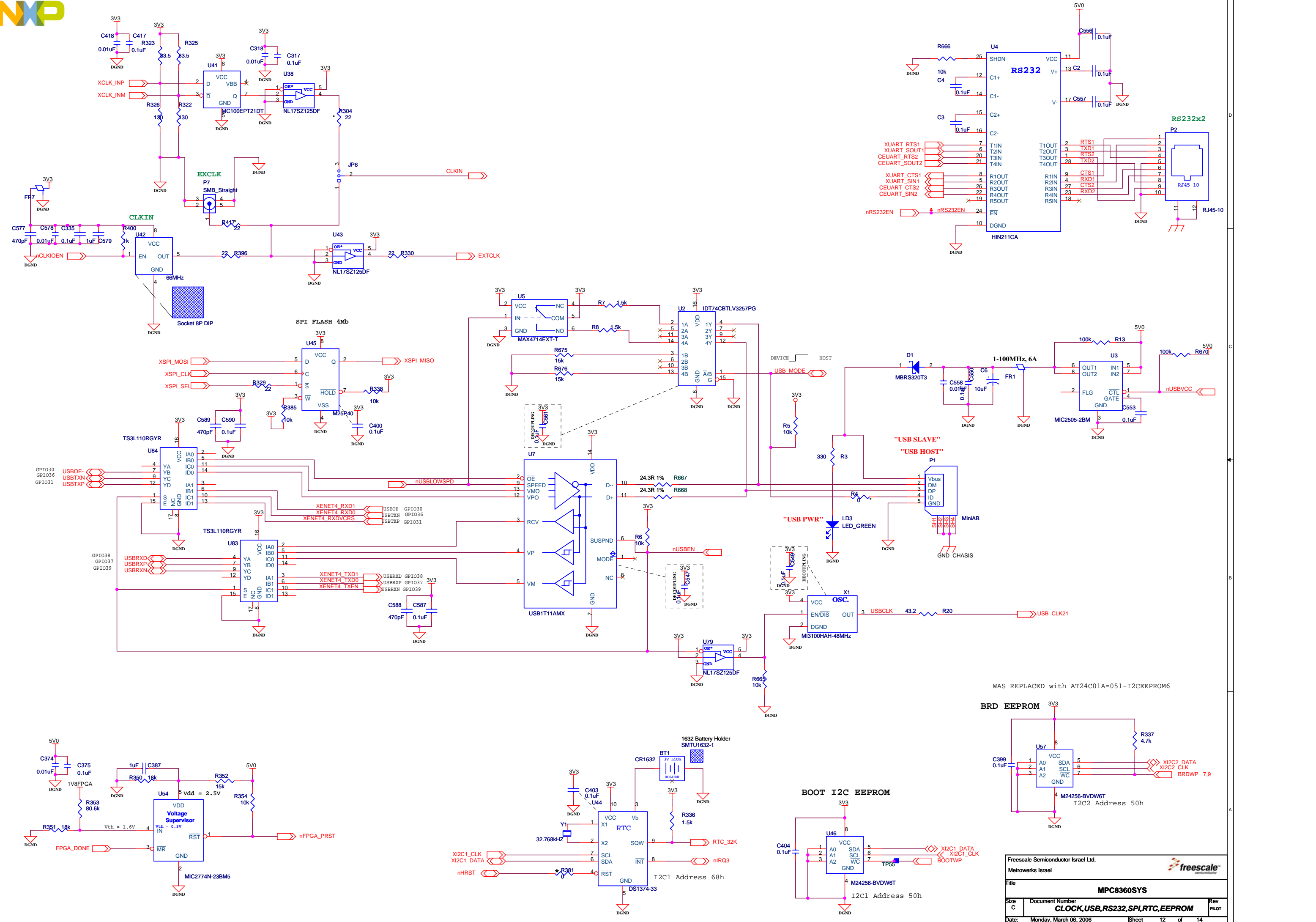
PCI2 Bus, Local Bus



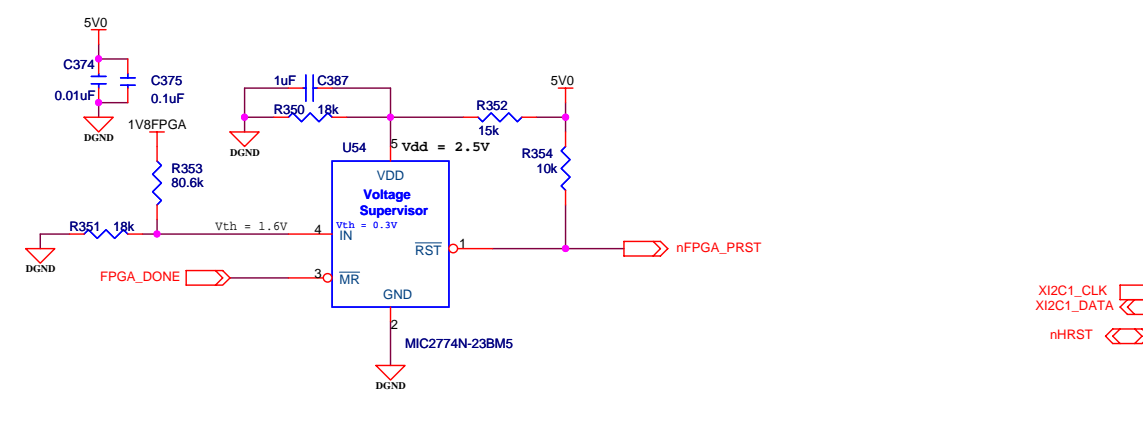
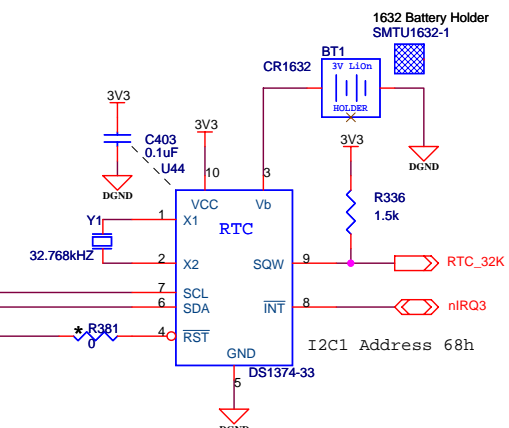
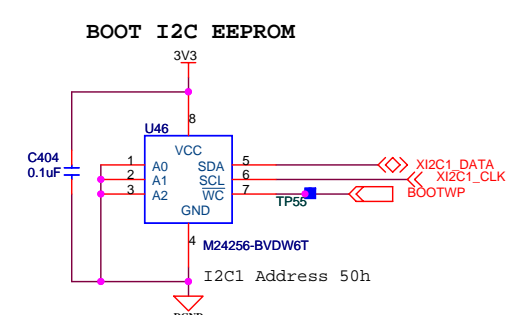
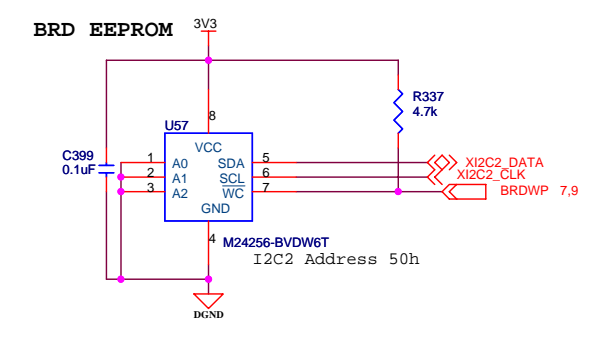
RIGHT Riser Connector



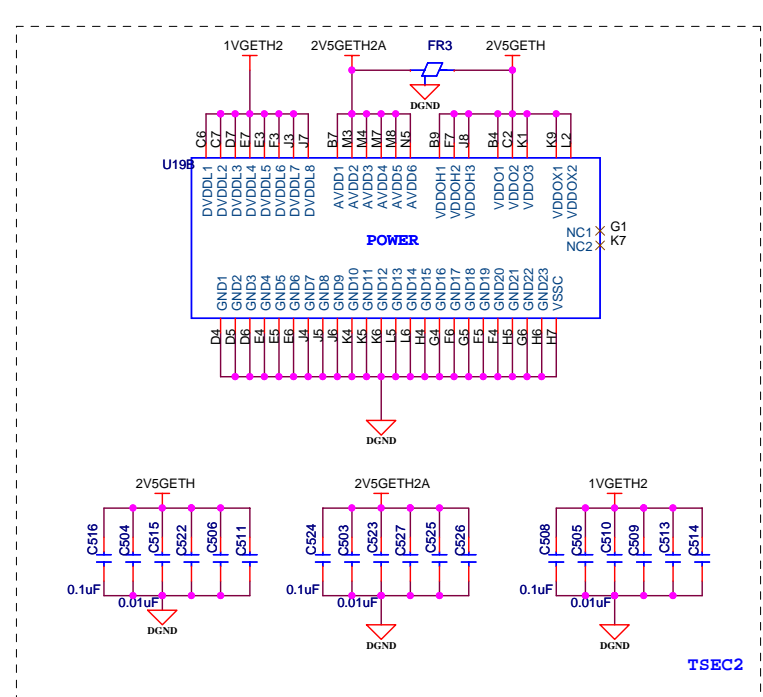
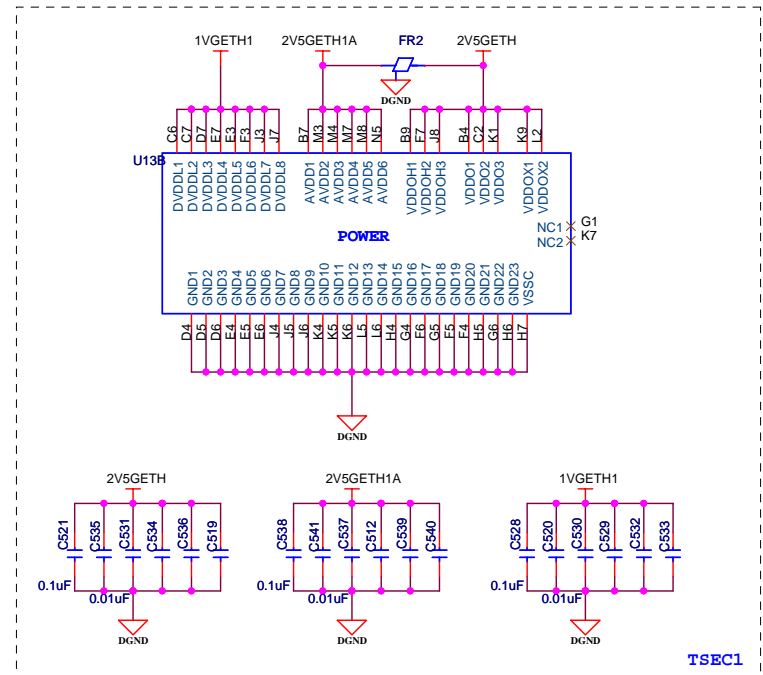
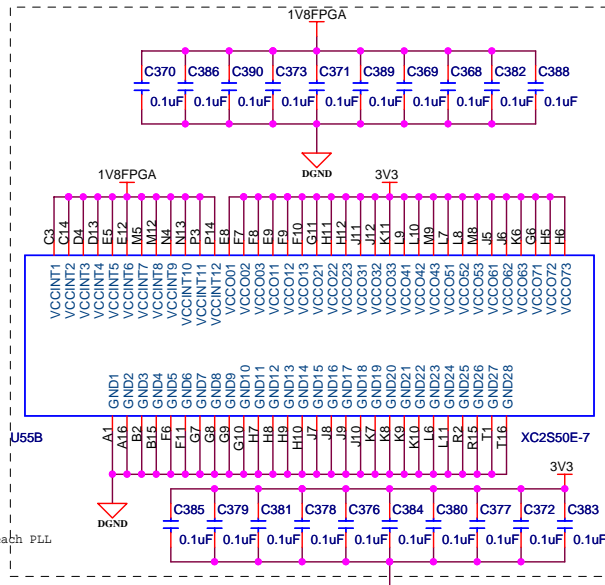
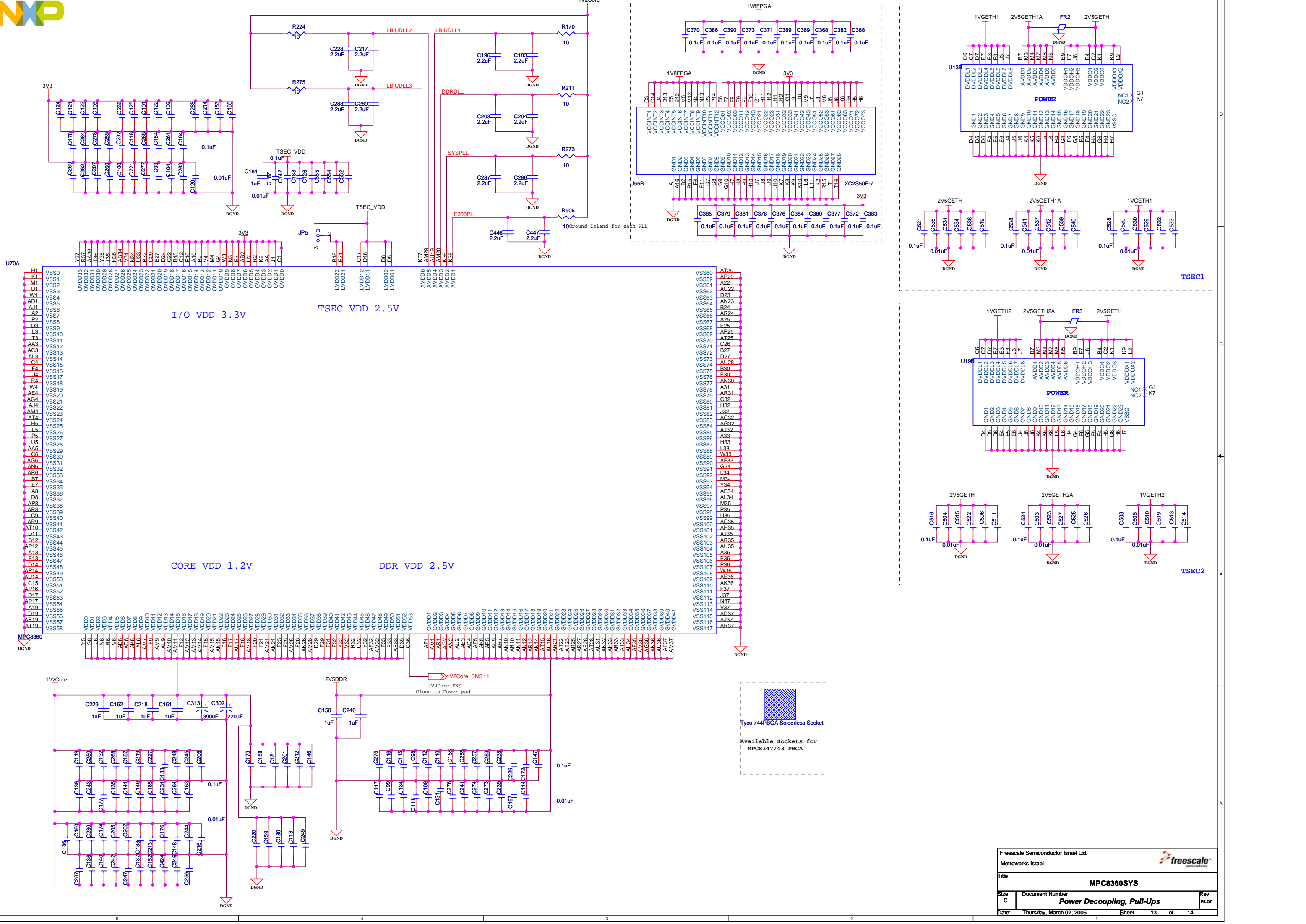




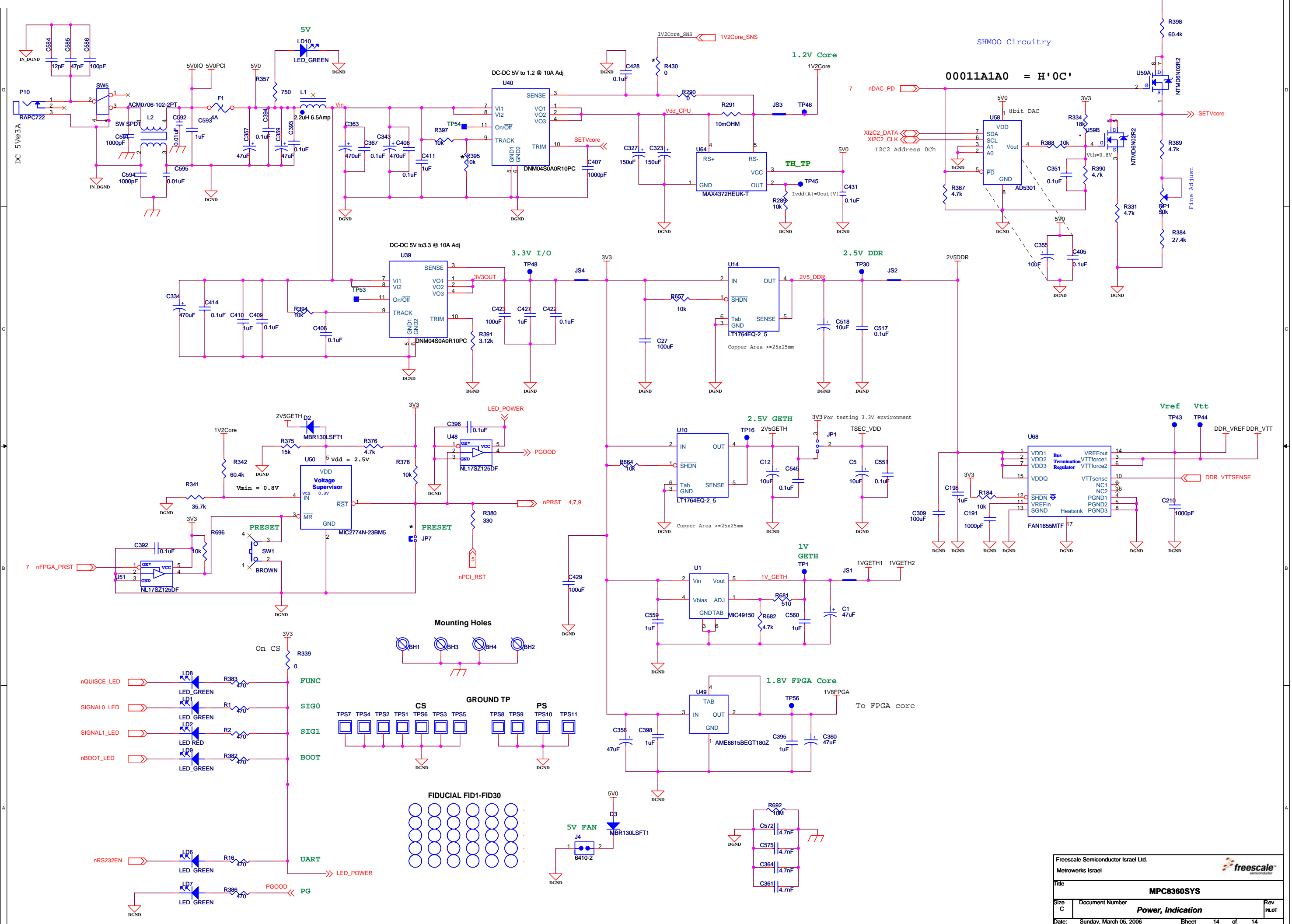
WAS REPLACED with AT24C01A=051-I2CEEPROM6



Freescale Semiconductor Israel Ltd.			
Metrowerks Israel			
Title: <b>MPC8360SYS</b>			
Size: C	Document Number: <b>CLOCK,USB,RS232,SPI,RTC,EEPROM</b>	Rev: PL0T	
Date: Monday, March 06, 2006	Sheet: 12	of: 14	



**Tyco 744PBGA Solderless Socket**  
Available Sockets for MPC8347/43 PBGA



Freescale Semiconductor Israel Ltd.			
Metrowerks Israel			
Title: <b>MPC8360SYS</b>			
Size C	Document Number	<b>Power, Indication</b>	Rev PL0T
Date: Sunday, March 05, 2006	Sheet 14 of 14		