


Revisions			
Rev	Description	Date	Approved
X1	Initial Release	15-JUL-11	Jarvis Clark
X2	Changed Power LED colour Removed J3 and J4 Added J6 & EDS protection for Resistive Touch Input Added J6 & EDS protection for Resistive Touch Input Removed J7, J9, J10, & J11 and Added 4 Test Points for GND Replaced 4 Capacitive Touch Electrode Updated Connection in U4 Removed J12 for BKGD Connection Added Pull-Up Resistors for SCL & SDA Lines Removed Crystals Y1 & Y2	18-JUL-11	Jarvis Clark
X3	Changed IRQ to pin 2 of U4 Added R18 DNP Resistor between U4.29 and GND Added TP28	20-JUL-11	Jarvis Clark
X4	Changed TP14, TP15, TP16, & TP20	25-JUL-11	Jarvis Clark
X5	Changed J3 connector Added LED for Reset	27-JUL-11	Jarvis Clark
A	Prototype Release	01-AUG-11	Jarvis Clark
AX1	Replaced LED Backlight driver with LT3497 Added Selection Jumper to Select Source of Backlight Dimmer (J7-D37 or J7-D43) Routed J7-D43 (Renamed LCD_ENABLE) to FPC Pin 20 (DISP) Removed 1.8V and 2.8V regulators and LEDs Replaced FPC connector with 51 pin Removed J1 Touch interface FPC connector Changed J4 to thru-hole	18-OCT-11	Jarvis Clark
AX2	Added TP3, TP10, TP33-37	20-OCT-11	Jarvis Clark
AX3	Modified Test Points as Test Loops for Power Signals	24-OCT-11	Jarvis Clark
AX4	Modified some of the test loops to SMD pads The connections modified for TFT panel to TWR ELEV	27-OCT-11	Jarvis Clark
B	Rev B Release	31-OCT-11	Jarvis Clark
C	Added R19 and R20 to RT_2 and RT_3 MCU pins Made DNP R5 and R6	23-JAN-12	Jarvis Clark
D	Replacing LCD Display. Connector rewired. SPI for LCD is removed	10-FEB-12	Jarvis Clark

E	Rewired LCD supply voltage to 5V and optional 3.3V	22-APR-12	Jarvis Clark
---	----------------------------------------------------	-----------	--------------

		Microcontroller Solutions Group 6501 William Cannon Drive West Austin, TX 78752-8089	
<small>This document contains information proprietary to Freescale Semiconductor and shall not be used for engineering, design, procurement or manufacture in whole or in part without the express written permission of Freescale Semiconductor.</small>			
Designer:	Drawing Title:	ICAP Classification:	FOP: FUC: X PUB:
Kamalakrman M			
Drawn by:	Page Title:	TWR-LCD-RGB	
Kamalakrman M		Table of Contents/Revisions	
Approved:	Size	Document Number	Rev
Jarvis Clark	C	SCH-27218 PDF: SPF-27218	E
Date:	Tuesday, April 24, 2012	Sheet	1 of 5



Layout Notes :

There will be a large hole in the bottom of the board to allow micro-probing or back side light emissions testing from the bottom of the board (the back of the die). The hole shall be placed under the socket of the board to for access to the die during failure analysis. The hole size should be maximized for easy access with probe needles



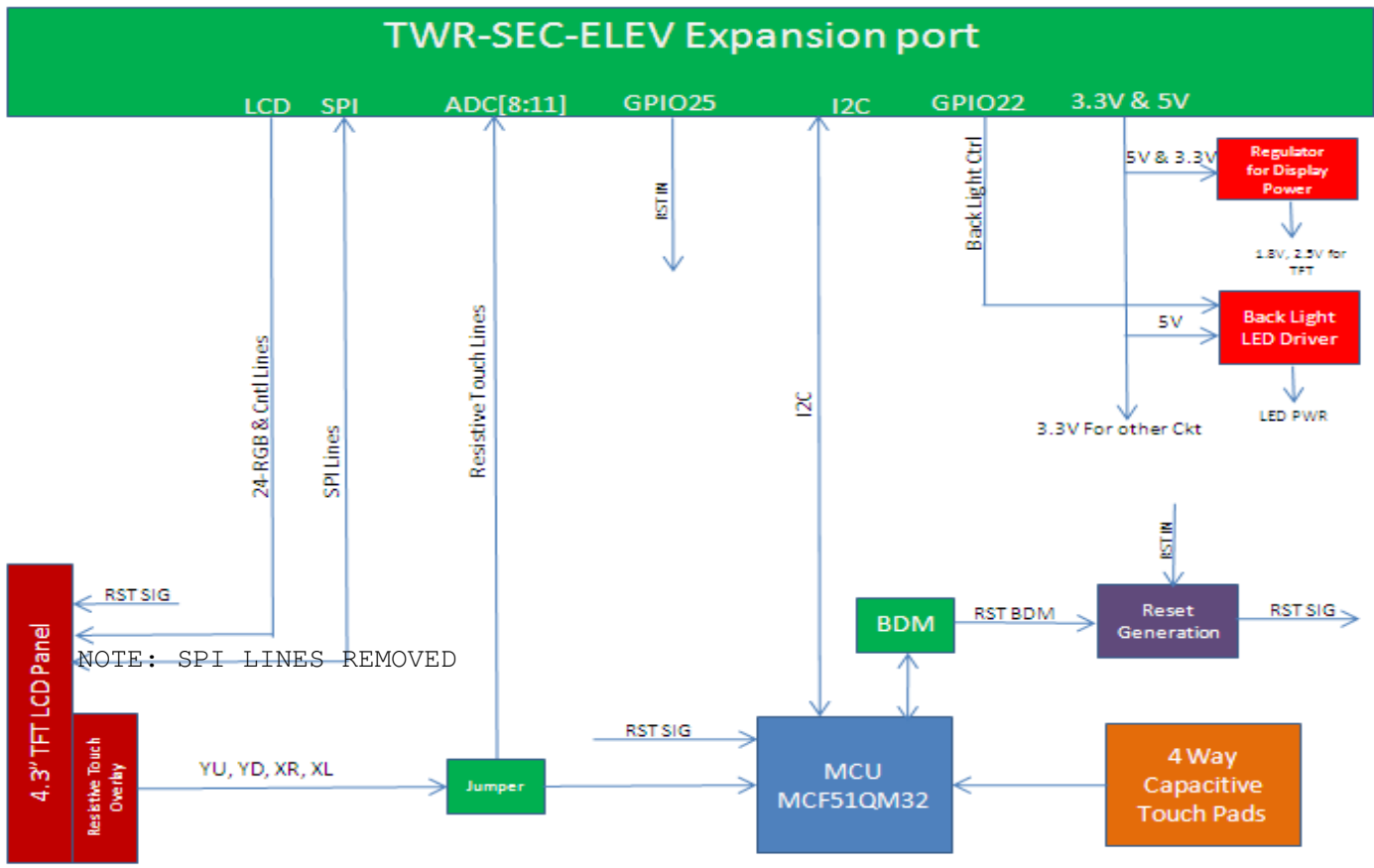
ICAP Classification: FCP: FIUC: X PUBI:

Drawing Title: **TWR-LCD-RGB**

Page Title: **Notes**

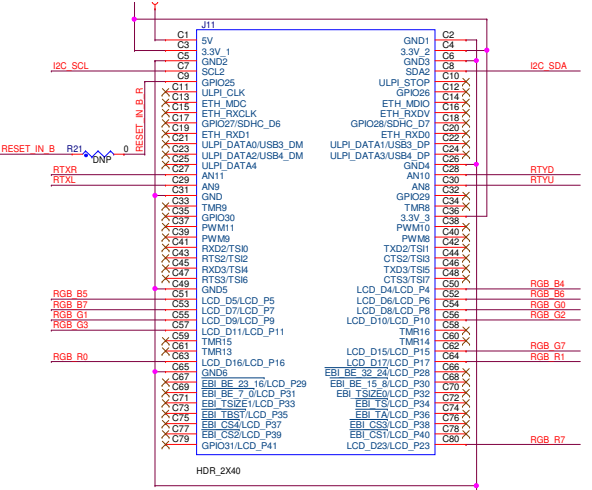
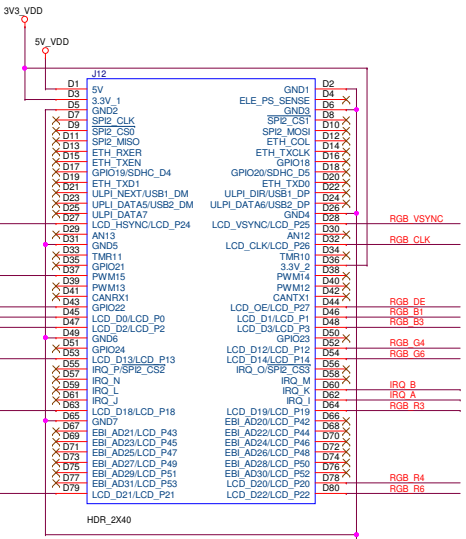
Size	Document Number	Rev
C	SCH-27218 PDF: SPF-27218	E

Date: Monday, April 23, 2012 Sheet 2 of 5



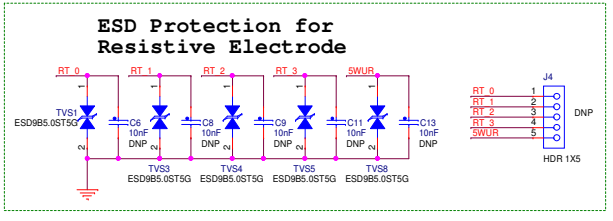
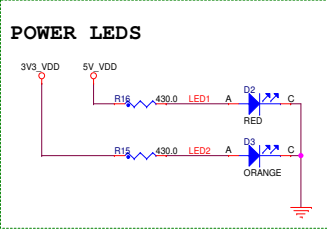
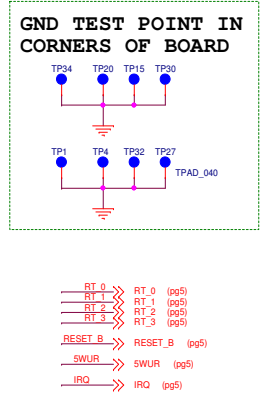
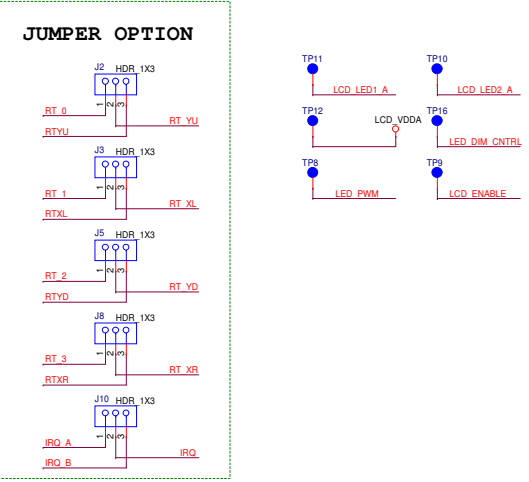
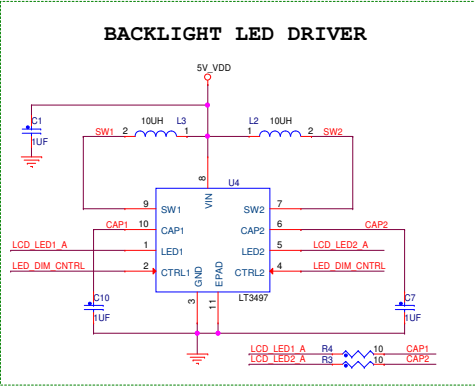
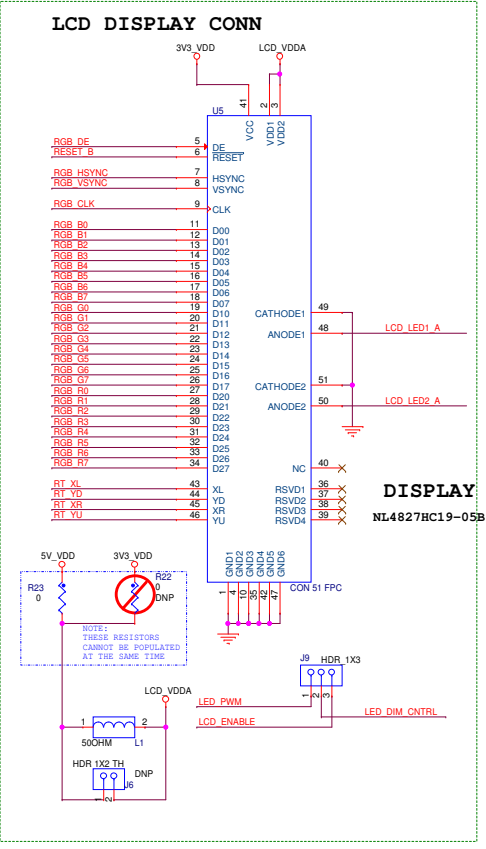


TOWER CONNECTOR



CONNECTOR C

CONNECTOR D



freescale semiconductor

ICAP Classification: FCP, FIUC: X, PUBI: _____
 Drawing Title: **TWR-LCD-RGB**

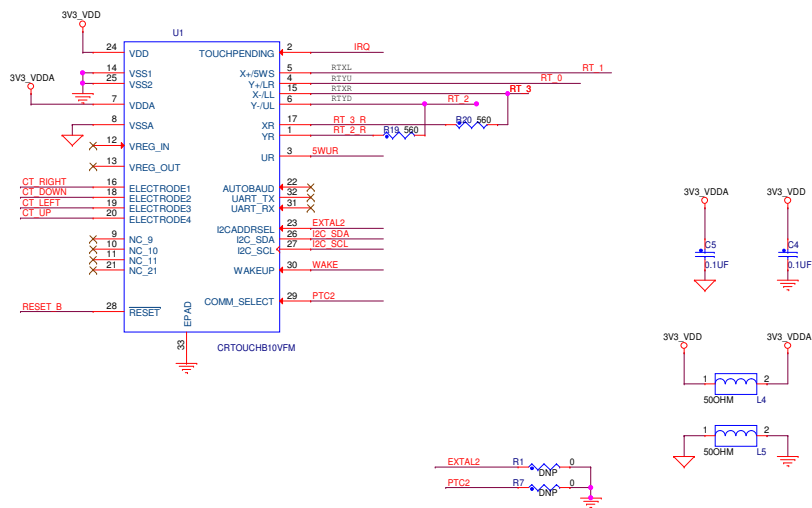
Page Title: **Display and Tower Connectors**

Size C	Document Number SCH-27218 PDF: SPF-27218	Rev E
--------	------------------------------------------	-------

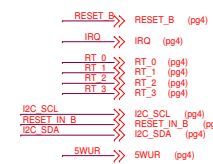
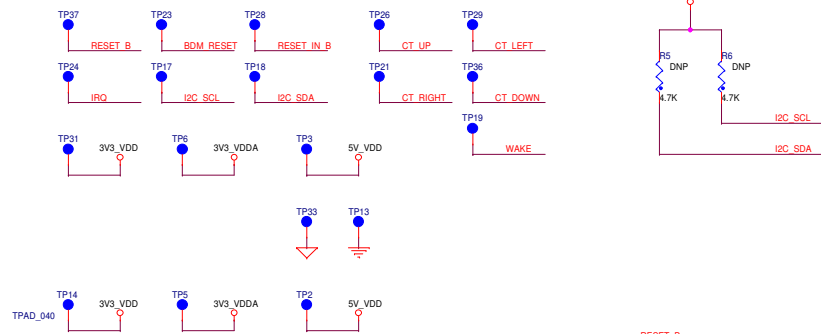
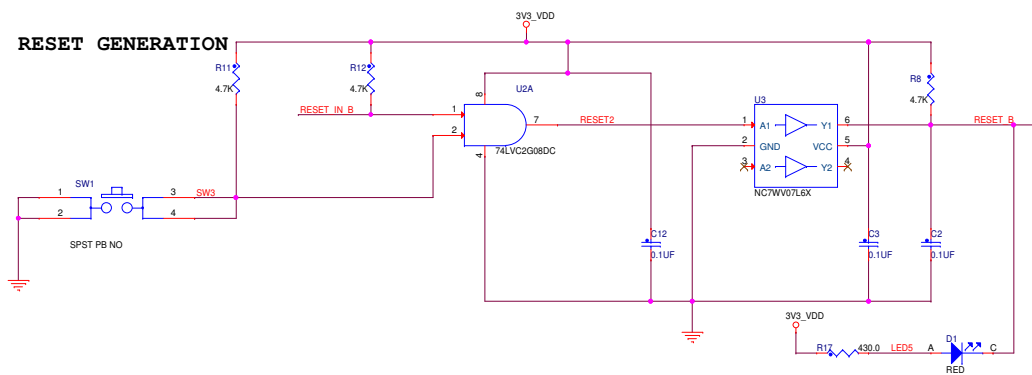
Date: Tuesday, April 24, 2012 | Sheet 4 of 5



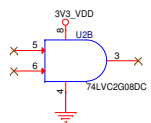
CRTOUCH CONTROLLER



RESET GENERATION



SPARE AND GATE



4 CAPACITIVE ELECTRODES

